



Prices effective February 5, 2018

Published November 2018

# HermanMiller Collection

<b>Introduction</b>	<b>page 2</b>
<b>HermanMiller Collection</b>	
Seating	3
Side and Stacking Chairs	5
Lounge Seating	102
Stools	221
Benches	261
Work Chairs	279
Sofas	298
Desks and Tables	415
Desks	417
Tables	421
Occasional Tables	470
Storage	535
Bedroom	629
Accessories	635
Nelson Bubble Lamps	670
Outdoor Furniture	703
Seating	705
Tables	725
<b>Indices</b>	<b>735</b>
By Name	735
By Number	741
<b>Appendices</b>	
20-Day or Less/Assigned Lead-Time Order Information	
Stain-to-Match Program	
Casters and Glides	
Customer's Own Material/Customer's Own Leather Order Information-Seating	
Proprietary Textiles Application Chart-Collection Seating	
Proprietary Textile Colors-Collection Seating	
Maharam Application Chart-Collection Seating	
Maharam Textile Colors-Collection Seating	
<b>For the latest materials information, refer to the Materials pages on HermanMiller.com.</b>	

# Introduction

## A Note on the Organization of This Book

There are a few signals that will help you understand the organization of this book. Once you know them, you should be able to find your way around easily.

### Like a newspaper, this book is formatted with columns of text and illustrations that run vertically.

Information wraps from one column to the next and continues for as many pages as it needs to.

### Black bars are clues.

A black bar at the top of a page signals the start of information about a product.

This information is divided into two sections, each signaled by a black bar. Product Information includes a description, additional notes, and dimensional drawings. Specification Information, which always begins at the top of a column, includes a series of steps. Each step represents a decision you need to make in order to complete your product number. Steps must be followed sequentially. The number of pages needed to complete information on a product varies; some will be complete in one page; others may fill three or four pages. Just continue going through the steps until you run into the next product, signaled by the black bar at the top of the page.

Black tabs running along the outside edge of the page help you locate what section you are in or what section you want to go to. You can thumb forwards or backwards to find a section; tabs and text appear on both sides of the page.

The additional pages in the back of the book include the appendices and indices. They are signaled by a long black bar running along the outside edge of the page.

### The index is presented two ways.

The first index is in alphabetical order by product name. It can be helpful if you are new to the products and numbering scheme or if you are looking for a type of product, such as work chair or round table.

The second index is by product number. It lists, in alphanumeric order, the base product number, typically a five-digit number.

## General Information

This book is effective February 5, 2018, subject to change without notice. Products may be purchased from authorized Herman Miller dealers who will quote prices upon request. For more information about our products and services or to see a list of dealers, visit [www.HermanMiller.com](http://www.HermanMiller.com).


All prices are list prices. Additional services, such as planning services, design, storage, and installation, are not included and must be added to these prices when the additional services are requested.

Illustrations, specifications, and prices are based on the latest information at the time of publication. The right is reserved to make changes at any time without notice in prices, fabrics, finishes, materials, specifications, and models, and also to discontinue models and finishes.

Dimensions shown in the drawings are engineering drawing dimensions rounded up to the nearest  $\frac{1}{8}$ ". Product is shipped set up or knocked down. Products that include "Shipped knocked down" in the description require some assembly. If this statement does not appear in the description, the product is shipped assembled.

Service problems are normally handled by a Herman Miller authorized dealer. Where this cannot be accomplished on a local level, service problems should be referred to the Customer Care Representative for your region, Herman Miller, Inc., Zeeland, Michigan 49464.

### 20-Day or Less/Assigned Lead-Time Shipments

All products and options in this price book not designated by an Assigned Program icon  will ship in **20 business days or less** after being acknowledged by Herman Miller.

Products and options designated by an  are on the assigned lead-time program and may ship in 20 days, less than 20 days, or more than 20 days from order acknowledgement.

**Side & Stacking Chairs**

**Lounge Seating**

**Stools**

**Benches**

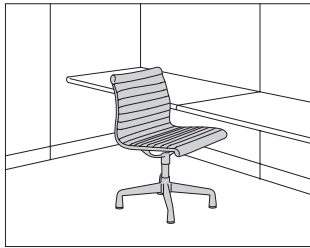
**Work Chairs**

**Sofas**



Eames® Aluminum Group Side Chair

EA306  
EA308



**Product Information**

**Description**

This low-back chair has a lightweight aluminum frame with suspended upholstery. It has a 4-star base with 1/2" (GD) glides for hard floors or carpet and fixed seat height. The chair is available with or without a swivel mechanism.

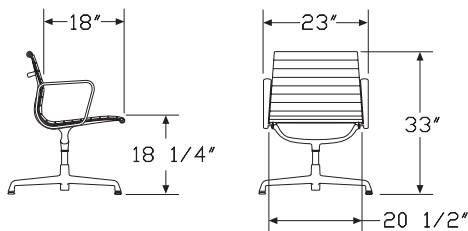
**Notes**

Chair is tested and warranted for use by persons 300 pounds and under. When chair is specified with Cygnus™ mesh, it meets CAL 133 requirements.

For description of glide, see Casters and Glides in Appendices.

Customer's Own Material (COM) requires 1 1/3 yards. Customer's Own Leather (COL) requires 45 square feet. See Order Information in Appendices.

**Dimensions**



**Specification Information**

**Step 1.**

**EA30**  A

**Step 2. Arms**

**6** no arms

**8** arms

**Step 3. Swivel**

**S** swivel base

**F** fixed base, no swivel

**Prices for Steps 1-3.**

<b>EA306 S</b>	\$1320
<b>F</b>	\$1400

<b>EA308 S</b>	\$1720
<b>F</b>	\$1800

**Step 4. Base/Frame Finish**

**L** polished aluminum +\$0

**BK** black  A +\$87

**G2** graphite satin  A +\$87

**91** white  A +\$87

# Eames® Aluminum Group Side Chair *continued*

Herman Miller Collection—Side & Stacking Chairs

Step 5. Fabric	
Price Category 1	+\$0
Price Category 2	+\$48
Price Category 3	+\$90
Price Category 4	+\$138
Price Category (Geiger) 4	+\$138
Price Category 5	+\$152
Price Category (Geiger) 5	+\$152
Price Category 6	+\$217
Price Category 7 <span style="border: 1px solid black; padding: 0 2px;">A</span>	+\$180
Price Category (Geiger) 7	+\$180
Price Category 9	+\$591
Price Category (Geiger) 10	+\$668
Price Category 10M	+\$841
Price Category 11	+\$768
Price Category B	+\$39
Price Category C	+\$57
Price Category D	+\$75
Price Category E	+\$94
Price Category F	+\$122
Price Category G	+\$159
Price Category H	+\$193
Price Category I	+\$227
Price Category J	+\$261
Price Category K	+\$294
Price Category L	+\$328

Eames® Soft Pad Side Chair

EA406  
EA408



**Product Information**

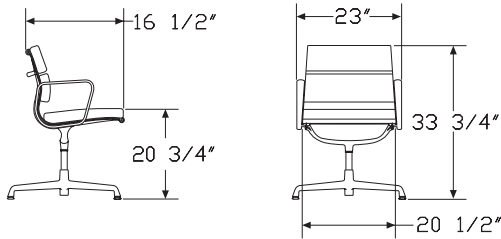
**Description**

This low-back chair has a lightweight aluminum frame and 2"-thick upholstered foam cushions. It has a 4-star base with 1/2" (GD) glides for hard floors or carpet and fixed seat height. The chair is available with or without a swivel mechanism.

**Notes**

Chair is tested and warranted for use by persons 300 pounds and under. For description of glides, see Casters and Glides in Appendices. Customer's Own Material (COM) requires 2 1/2 yards. Customer's Own Leather (COL) requires 45 square feet. See Order Information in Appendices.

**Dimensions**



**Specification Information**

**Step 1.**

**EA40**  A

**Step 2. Arms**

**6** no arms  A

**8** arms  A

**Step 3. Swivel**

**S** swivel base  A

**F** fixed base, no swivel  A

**Prices for Steps 1-3.**

<b>EA406 S</b>	\$2370
<b>F</b>	\$2450

<b>EA408 S</b>	\$2770
<b>F</b>	\$2850

**Step 4. Base/Frame Finish**

<b>L</b> polished aluminum <input type="checkbox"/> A	+\$0
<b>BK</b> black <input type="checkbox"/> A	+\$87
<b>G2</b> graphite satin <input type="checkbox"/> A	+\$87
<b>91</b> white <input type="checkbox"/> A	+\$87

Eames® Soft Pad Side Chair *continued*

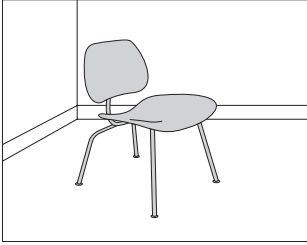
Herman Miller Collection—Side & Stacking Chairs

Step 5. Fabric	
Price Category (Geiger) 5	+\$282
Price Category 1	+\$0
Price Category 2	+\$70
Price Category 3	+\$152
Price Category (Geiger) 3	+\$152
Price Category 4	+\$234
Price Category 5	+\$282
Price Category 6	+\$300
Price Category 7	+\$288
Price Category (Geiger) 7	+\$288
Price Category 9	+\$574
Price Category (Geiger) 10	+\$649
Price Category 10M	+\$879
Price Category 11	+\$768
Price Category B	+\$71
Price Category C	+\$105
Price Category D	+\$140
Price Category E	+\$175
Price Category F	+\$230
Price Category G	+\$298
Price Category H	+\$363
Price Category I	+\$426
Price Category J	+\$490
Price Category K	+\$553
Price Category L	+\$617
Price Category M	+\$681
Price Category N	+\$744
Price Category P	+\$871



Eames® Molded Plywood Dining  
Chair Metal Base

DCM.



**Product Information**

**Description**

This 29½"-high molded plywood chair has natural face veneers, hardwood inner plies, and a 5-ply seat and back. It has a 4-leg base and self-leveling nylon glides. When upholstered, the back and seat shells have exposed veneer on their backside.

**Notes**

Red stain (11) shell finish is on birch veneer. This stain allows the wood grain to show through; inner plies are visible. Natural variations in wood grain may affect the appearance of this stain color.

Ebony (EN) shell finish is stain on ash veneer; inner plies are not as visible.

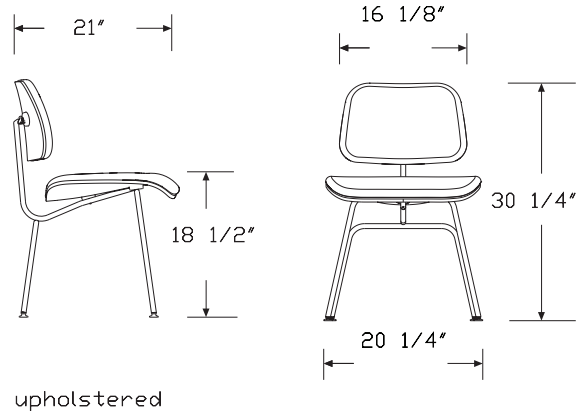
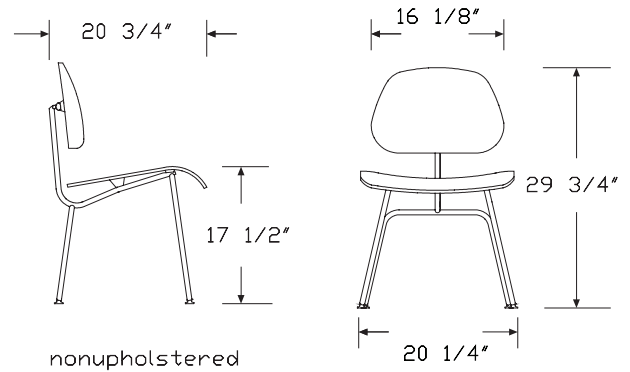
Black (BK) base finish has black glides. Trivalent chrome (47) base finish has white glides.

Santos palisander veneer is celebrated for its unique grain and color variations. Similar products ordered in multiples or dissimilar products ordered separately should be expected to have variation in both grain and color characteristics; no two products will look exactly alike.

Avoid placement in direct sunlight.

Customer's Own Material (COM) requires 1 yard. Customer's Own Leather (COL), requires 18 square feet. See COM Information in Appendices for additional information.

**Dimensions**



# Eames® Molded Plywood Dining Chair Metal Base *continued*

## Specification Information

### Step 1.

**DC**  A

### Step 2. Upholstery

**M.** nonupholstered shell  A

**M.U** upholstered shell  A

### Prices for Steps 1-2.

**DCM.** \$766

**DCM.U** \$1266

### Step 3. Base Finish

**BK** black  A +\$0

**47** trivalent chrome  A +\$20

### Step 4. Shell Finish

#### Wood Veneer

**OU** walnut  A +\$0

**11** red stain  A +\$115

**A2** white ash  A +\$115

**EN** ebony  A +\$115

**9N** santos palisander  A +\$285

### Step 5. Fabric

#### *For upholstered shell (M.U)*

Price Category 1 +\$0

Price Category 2 +\$29

Price Category 3 +\$55

Price Category (Geiger) 3 +\$55

Price Category 4 +\$83

Price Category (Geiger) 4 +\$83

Price Category 5 +\$98

Price Category (Geiger) 5 +\$87

Price Category 6 +\$115

Price Category 7 +\$175

Price Category (Geiger) 7 +\$175

Price Category 8 +\$229

Price Category 9 +\$340

Price Category 10 +\$377

Price Category (Geiger) 10 +\$377

Price Category 11 +\$411

Price Category 14 +\$493

Price Category 10M +\$317

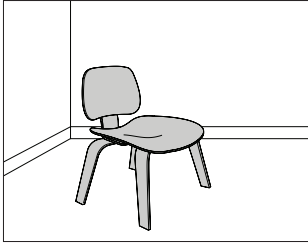
Price Category C +\$57

Price Category D +\$80

Price Category E	+\$116
Price Category F	+\$160
Price Category G	+\$272
Price Category H	+\$305
Price Category I	+\$341
Price Category J	+\$376
Price Category L	+\$462
Price Category K	+\$413
Price Category M	+\$519
Price Category N	+\$554
Price Category O	+\$589
Price Category P	+\$611
Price Category Q	+\$660
Price Category R	+\$711

Eames® Molded Plywood Dining  
Chair Wood Base

DCW.



**Product Information**

**Description**

This 28<sup>3</sup>/<sub>4</sub>"-high molded plywood chair has natural face veneers, hardwood inner plies, a 5-ply seat and back, and 8-ply legs. When upholstered, the back and seat shells have exposed veneer on their backside.

**Notes**

Red stain (11) finish is on birch veneer. This stain allows the wood grain to show through; inner plies are visible. Natural variations in wood grain may affect the appearance of this stain color.

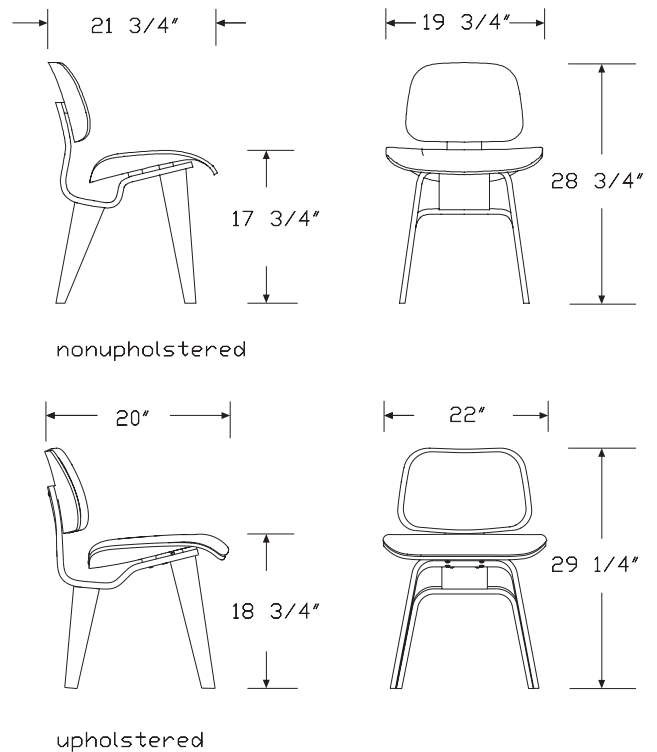
Ebony (EN) shell finish is stain on ash veneer; inner plies are not as visible.

Santos palisander veneer is celebrated for its unique grain and color variations. Similar products ordered in multiples or dissimilar products ordered separately should be expected to have variation in both grain and color characteristics; no two products will look exactly alike.

Avoid placement in direct sunlight.

Customer's Own Material (COM) requires 1 yard. Customer's Own Leather (COL), requires 18 square feet. See COM Information in Appendices for additional information.

**Dimensions**



# Eames® Molded Plywood Dining Chair Wood Base *continued*

## Specification Information

### Step 1.

**DC**  A

### Step 2. Upholstery

**W.** nonupholstered shell  A

**W.U** upholstered shell  A

### Prices for Steps 1-2.

**DCW.** \$1034

**DCW.U** \$1478

### Step 3. Finish

**OU** walnut  A +\$0

**11** red stain  A +\$154

**A2** white ash  A +\$154

**EN** ebony  A +\$154

**9N** santos palisander  A +\$575

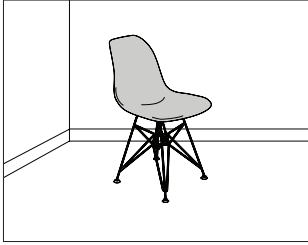
## Step 4. Fabric

### For upholstered shell (W.U)

Price Category 1	+\$0
Price Category 2	+\$29
Price Category 3	+\$55
Price Category 4	+\$83
Price Category (Geiger) 4	+\$83
Price Category 5	+\$98
Price Category (Geiger) 5	+\$87
Price Category 6	+\$115
Price Category 7	+\$175
Price Category (Geiger) 7	+\$175
Price Category 8	+\$229
Price Category 9	+\$340
Price Category 10	+\$317
Price Category (Geiger) 10	+\$377
Price Category 11	+\$411
Price Category 14	+\$493
Price Category 10M	+\$317
Price Category C	+\$57
Price Category D	+\$80
Price Category E	+\$116
Price Category F	+\$160
Price Category G	+\$272
Price Category H	+\$305
Price Category I	+\$341
Price Category J	+\$376
Price Category K	+\$413
Price Category L	+\$462
Price Category M	+\$519
Price Category N	+\$554
Price Category O	+\$589
Price Category P	+\$611
Price Category Q	+\$660
Price Category R	+\$711

# Eames® Molded Plastic Side Chair

DSR.  
DSS.  
DSW.  
DSX.



## Product Information

### Description

This chair has a single-piece nonupholstered shell with waterfall edges and molded plastic seat and flexible back. Base options include a wire base, a stacking/ganging base, a dowel base, or a 4-leg base. The dowel base has non-adjustable nylon glides. Standard glides can be ordered with or without felt. Ships assembled.

### Notes

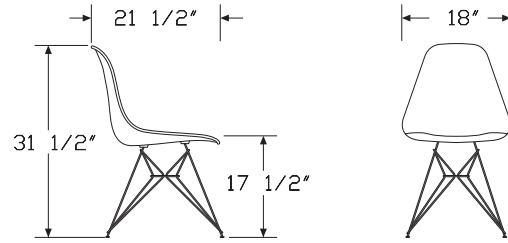
Ebony (EN) and walnut (OU) dowel legs are stained ash wood with black glides.

Natural maple (UL) and white ash (A2) dowel legs have white glides.

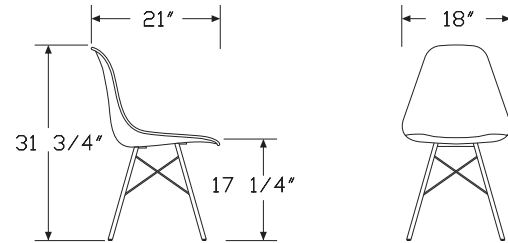
Dowel base has glide option to include felt bottom.

Stacking/ganging base chairs can stack up to 14 high. For ease of mobility, two types of dollies are available, but sold separately.

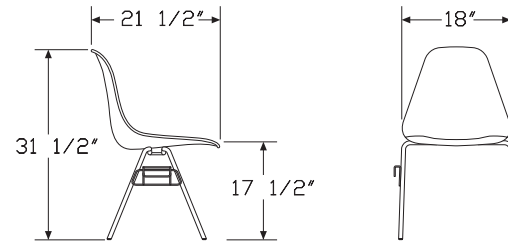
## Dimensions



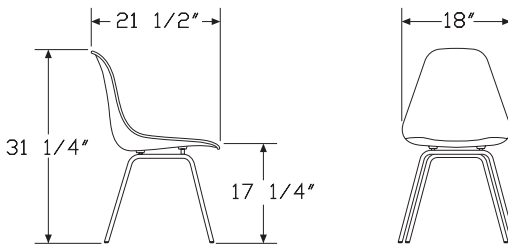
Wire Base



Dowel-Leg Base



Stacking/Ganging Base



4-Leg Base

# Eames® Molded Plastic Side Chair

continued

## Specification Information

### Step 1.

**DS**

### Step 2. Base Option

- R.** wire base with nonupholstered shell
- S.** stacking/ganging base with nonupholstered shell
- W.** dowel base with nonupholstered shell
- X.** 4-leg base with nonupholstered shell

### Prices for Steps 1-2.

<b>DSR.</b>	\$350
<b>DSS.</b>	\$385
<b>DSW.</b>	\$496
<b>DSX.</b>	\$340

### Step 3. Base Finish

*For wire base with nonupholstered shell (R.), dowel base with nonupholstered shell (W.), or 4-leg base with nonupholstered shell (X.)*

<b>91</b>	white <span style="border: 1px solid black; padding: 0 2px;">A</span>	+\$0
<b>BK</b>	black	+\$0
<b>47</b>	trivalent chrome	+\$20

*For stacking/ganging base with nonupholstered shell (S.)*

<b>47</b>	trivalent chrome	+\$20
-----------	------------------	-------

### Step 4. Dowel Finish

*For dowel base with nonupholstered shell (W.)*

<b>UL</b>	natural maple	+\$0
<b>A2</b>	white ash <span style="border: 1px solid black; padding: 0 2px;">A</span>	+\$30
<b>EN</b>	ebony	+\$30
<b>OU</b>	walnut	+\$30

### Step 5. Seat/Back Finish

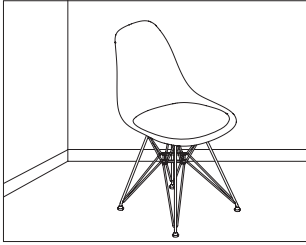
<b>4T</b>	aqua sky	+\$0
<b>5B</b>	java	+\$0
<b>9J</b>	sparrow	+\$0
<b>BLE</b>	blue ice	+\$0
<b>BLH</b>	blush	+\$0
<b>CHL</b>	charcoal	+\$0
<b>KGR</b>	kelly green	+\$0
<b>PBL</b>	peacock blue	+\$0
<b>PYW</b>	pale yellow	+\$0
<b>STN</b>	stone	+\$0
<b>ZA</b>	black	+\$0
<b>ZE</b>	red orange	+\$0
<b>ZF</b>	white	+\$0
<b>ZM</b>	alpine	+\$0

### Step 6. Glide Option

<b>E8</b>	standard glide	+\$0
<b>E9</b>	standard glide with felt bottom	+\$25

# Eames® Upholstered Molded Plastic Side Chair

DSR.  
DSW.  
DSX.



## Product Information

### Description

This side chair has a molded 1-piece construction with waterfall edges, molded plastic seat and flexible back. It has a fully upholstered shell or an attached upholstered seat pad. Seat pad is easily removable for cleaning or reupholstery. Base options include a wire base, dowel base, or 4-leg base. The dowel base has non-adjustable nylon glides. Standard glides can be ordered with or without felt. Ships assembled.

### Notes

Ebony (EN) and walnut (OU) dowel legs are stained ash wood with black glides.

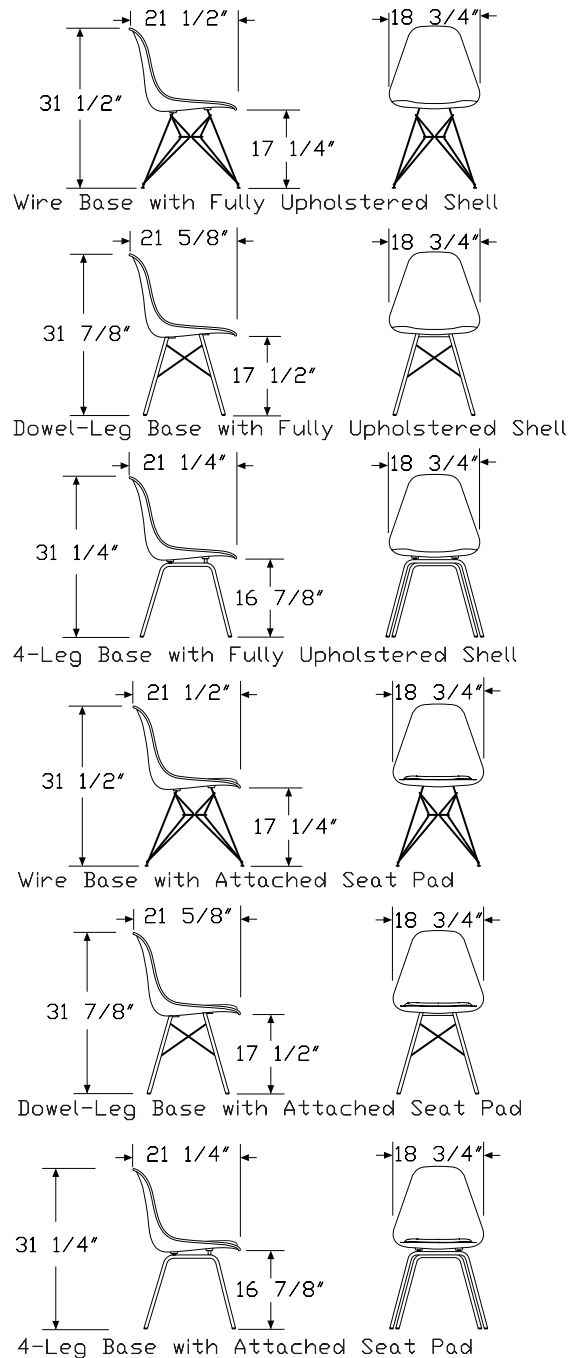
Natural maple (UL) and white ash (A2) dowel legs have white glides.

Dowel base has glide option to include felt bottom.

Seat pad is upholstered with textiles or leather for indoor use only.

For upholstered seat pad (P), Customer's Own Material (COM) requires 1 yard. Customer's Own Leather (COL) requires 9 square feet. See Order Information in appendices.

## Dimensions



# Eames® Upholstered Molded Plastic Side Chair *continued*

Specification Information	
Step 1.	
<b>DS</b>	<input type="checkbox"/> A
Step 2. Base	
<b>R.</b>	wire leg <input type="checkbox"/> A
<b>W.</b>	dowel base <input type="checkbox"/> A
<b>X.</b>	4-leg base <input type="checkbox"/> A
Step 3. Upholstery	
<b>P</b>	upholstered seat pad <input type="checkbox"/> A
<b>U</b>	fully upholstered shell <input type="checkbox"/> A
Prices for Steps 1-3.	
<b>DSR. P</b>	\$420
<b>U</b>	\$460
<b>DSW. P</b>	\$566
<b>U</b>	\$606
<b>DSX. P</b>	\$410
<b>U</b>	\$450
Step 4. Base Finish	
<b>91</b>	white <input type="checkbox"/> A +\$0
<b>BK</b>	black <input type="checkbox"/> A +\$0
<b>47</b>	trivalent chrome <input type="checkbox"/> A +\$20
Step 5. Dowel Finish	
<i>For dowel base (W.)</i>	
<b>A2</b>	white ash <input type="checkbox"/> A +\$30
<b>EN</b>	ebony <input type="checkbox"/> A +\$30
<b>OU</b>	walnut <input type="checkbox"/> A +\$30
<b>UL</b>	natural maple <input type="checkbox"/> A +\$0

Step 6. Back Finish	
<b>4T</b>	aqua sky <input type="checkbox"/> A +\$0
<b>5B</b>	java <input type="checkbox"/> A +\$0
<b>9J</b>	sparrow <input type="checkbox"/> A +\$0
<b>BLE</b>	blue ice +\$0
<b>BLH</b>	blush +\$0
<b>CHL</b>	charcoal +\$0
<b>KGR</b>	kelly green +\$0
<b>PBL</b>	peacock blue +\$0
<b>PYW</b>	pale yellow +\$0
<b>STN</b>	stone +\$0
<b>ZA</b>	black <input type="checkbox"/> A +\$0
<b>ZE</b>	red orange <input type="checkbox"/> A +\$0
<b>ZF</b>	white <input type="checkbox"/> A +\$0
<b>ZM</b>	alpine +\$0

Step 7. Edge Finish	
<i>For fully upholstered shell (U)</i>	
<b>111</b>	parchment <input type="checkbox"/> A +\$0
<b>BK</b>	black <input type="checkbox"/> A +\$0
<b>ZF</b>	white <input type="checkbox"/> A +\$0

Step 8. Upholstery	
<i>For fully upholstered shell (U)</i>	
Price Category 2	+\$25
Price Category 5	+\$59
Price Category B	+\$30
Price Category G	+\$212
Price Category H	+\$212
Price Category K	+\$380

<i>For upholstered seat pad (P)</i>	
Price Category B	+\$30
Price Category 1	+\$0
Price Category 2	+\$25
Price Category 4	+\$33
Price Category 5	+\$59
Price Category 7	+\$111
Price Category 8	+\$146
Price Category 9	+\$209
Price Category 11	+\$254
Price Category G	+\$170
Price Category H	+\$210
Price Category K	+\$380



# Eames® Upholstered Molded Plastic Side Chair *continued*

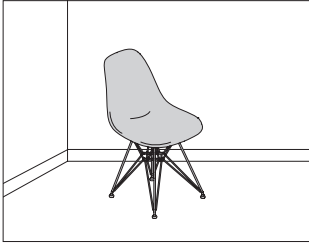
---

## Step 9. Glide Option

<b>E8</b>	standard glide	+\$0
<b>E9</b>	standard glide with felt bottom	+\$25

# Eames® Molded Fiberglass Side Chair

DFSR.  
DFSS.  
DFSW.  
DFSX.



Herman Miller Collection—Side & Stacking Chairs

## Product Information

### Description

This chair has a single-piece nonupholstered shell with waterfall edges and molded fiberglass seat and flexible back. Base options include a wire base, stacking/ganging base, dowel base, or a 4-leg base. The dowel base has non-adjustable nylon glides. Standard glides can be ordered with or without felt. Ships assembled.

### Notes

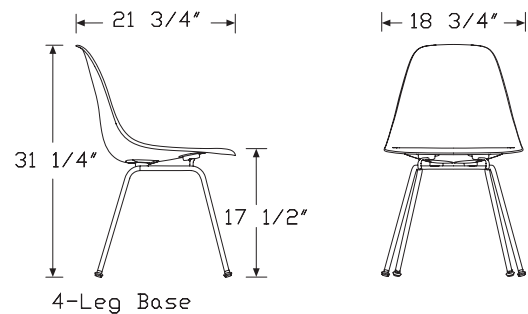
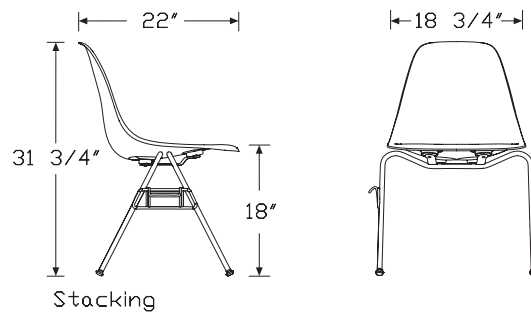
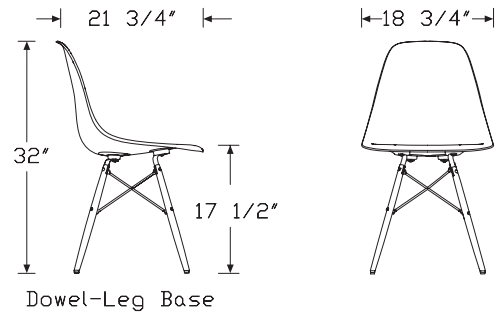
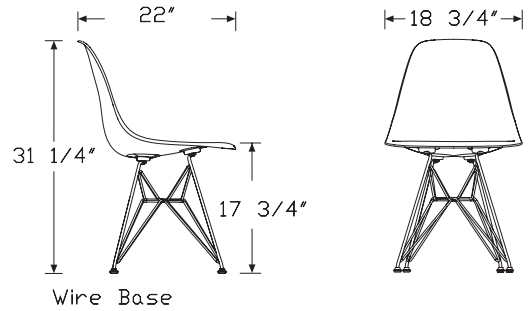
Ebony (EN) and walnut (OU) dowel legs are stained ash wood with black glides.

Natural maple (UL) and white ash (A2) dowel legs have white glides.

Dowel base has glide option to include felt bottom.

Stacking base chairs can stack up to 14 high. For ease of mobility, two types of dollies are available, but sold separately.

## Dimensions



# Eames® Molded Fiberglass Side Chair *continued*

## Specification Information

### Step 1.

**DFS**

### Step 2. Base Option

- R.** wire base with nonupholstered shell
- S.** stacking/ganging base with nonupholstered shell
- W.** dowel base with nonupholstered shell
- X.** 4-leg base with nonupholstered shell

### Prices for Steps 1-2.

<b>DFSR.</b>	\$562
<b>DFSS.</b>	\$597
<b>DFSW.</b>	\$708
<b>DFSX.</b>	\$552

### Step 3. Base Finish

*For wire base with nonupholstered shell (R.), dowel base with nonupholstered shell (W.), or 4-leg base with nonupholstered shell (X.)*

<b>91</b> white	+\$0
<b>BK</b> black	+\$0
<b>47</b> trivalent chrome	+\$20

*For stacking/ganging base with nonupholstered shell (S.)*

<b>47</b> trivalent chrome	+\$20
----------------------------	-------

### Step 4. Dowel Finish

*For dowel base with nonupholstered shell (W.)*

<b>UL</b> natural maple	+\$0
<b>A2</b> white ash	+\$30
<b>EN</b> ebony	+\$30
<b>OU</b> walnut	+\$30

### Step 5. Seat/Back Finish

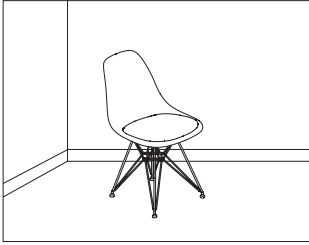
<b>111</b> parchment	+\$0
<b>112</b> elephant hide grey	+\$0
<b>113</b> ultramarine blue	+\$0
<b>114</b> red orange	+\$0
<b>115</b> lemon yellow	+\$0
<b>116</b> green	+\$0
<b>117</b> navy blue	+\$0
<b>118</b> black	+\$0
<b>119</b> seal brown	+\$0

### Step 6. Glide Option

<b>E8</b> standard glide	+\$0
<b>E9</b> standard glide with felt bottom	+\$25

# Eames® Upholstered Molded Fiberglass Side Chair

DFSR.  
DFSW.  
DFSX.



Herman Miller Collection—Side & Stacking Chairs

## Product Information

### Description

This side chair has a molded 1-piece construction with waterfall edges, molded fiberglass seat and flexible back. It has a fully upholstered shell or an attached upholstered seat pad. Seat pad is easily removable for cleaning or reupholstery. Base options include a wire base, dowel base, or 4-leg base. The dowel base has non-adjustable nylon glides. Standard glides can be ordered with or without felt. Ships assembled.

### Notes

Ebony (EN) and walnut (OU) dowel legs are stained ash wood with black glides.

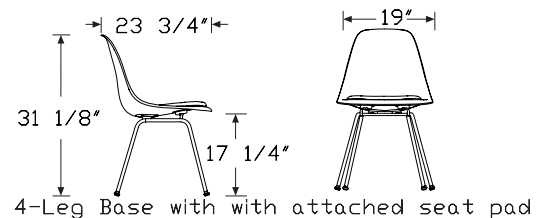
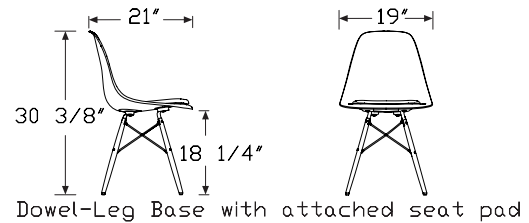
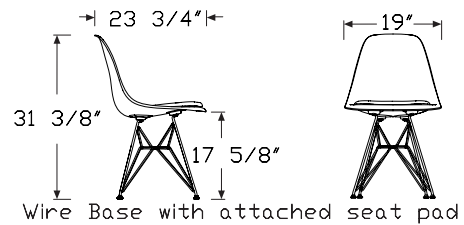
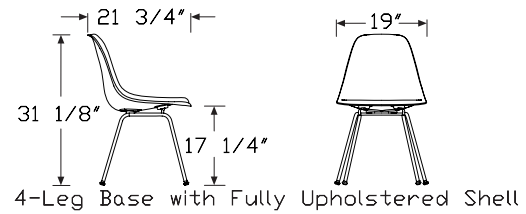
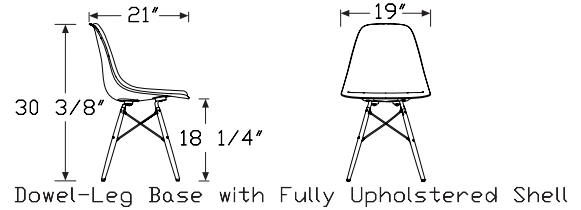
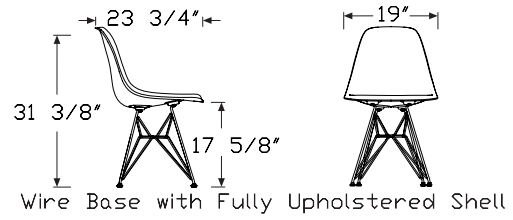
Natural maple (UL) and white ash (A2) dowel legs have white glides.

Dowel base has glide option to include felt bottom.

Seat pad is upholstered with textiles or leather for indoor use only.

For upholstered seat pad (P), Customer's Own Material (COM) requires 1 yard. Customer's Own Leather (COL) requires 9 square feet. See Order Information in appendices.

## Dimensions



# Eames® Upholstered Molded Fiberglass Side Chair *continued*

## Specification Information

### Step 1.

**DFS**  A

### Step 2. Base

**R.** wire leg  A

**W.** dowel base  A

**X.** 4-leg base  A

### Step 3. Upholstery

**U** fully upholstered shell  A

**P** upholstered seat pad  A

### Prices for Steps 1-3.

<b>DFSR. U</b>	\$672
<b>P</b>	\$632

<b>DFSW. U</b>	\$818
<b>P</b>	\$778

<b>DFSX. U</b>	\$662
<b>P</b>	\$622

### Step 4. Base Finish

**91** white  A +\$0

**BK** black  A +\$0

**47** trivalent chrome  A +\$20

### Step 5. Dowel Finish

*For dowel base (W.)*

**UL** natural maple  A +\$0

**A2** white ash  A +\$30

**EN** ebony  A +\$30

**OU** walnut  A +\$30

### Step 6. Back Finish

**111** parchment  A +\$0

**112** elephant hide grey  A +\$0

**113** ultramarine blue  A +\$0

**114** red orange  A +\$0

**115** lemon yellow  A +\$0

**116** green  A +\$0

**117** navy blue  A +\$0

**118** black  A +\$0

**119** seal brown  A +\$0

### Step 7. Edge Finish

*For fully upholstered shell (U)*

**ZF** white  A +\$0

**111** parchment  A +\$0

**BK** black  A +\$0

### Step 8. Upholstery

*For fully upholstered shell (U)*

Price Category 2 +\$25

Price Category 5 +\$59

Price Category B +\$45

Price Category G +\$212

Price Category H +\$212

Price Category K +\$380

*For upholstered seat pad (P)*

Price Category 1 +\$0

Price Category 2 +\$25

Price Category 4 +\$33

Price Category 5 +\$59

Price Category 7 +\$111

Price Category 8 +\$146

Price Category 9 +\$209

Price Category 11 +\$254

Price Category G +\$170

Price Category H +\$210

Price Category K +\$380

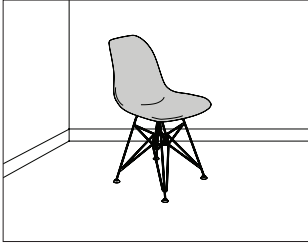
### Step 9. Glide Option

**E8** standard glide  A +\$0

**E9** standard glide with felt bottom  A +\$25

# Eames® Molded Wood Side Chair

DWSR.  
DWSW.  
DWSX.



HermanMiller Collection—Side & Stacking Chairs

## Product Information

### Description

This side chair has a molded one-piece construction with waterfall edges, and measures .260" in thickness. Base is attached by non-removable wooden shock mounts. Base options include a wire base, 4-leg base, or a dowel-leg base. The dowel-leg base has non-adjustable nylon glides.

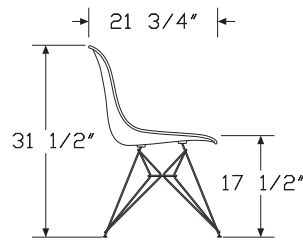
### Notes

Ebony (EN) and walnut (OU) dowel legs are stained ash wood with black glides.

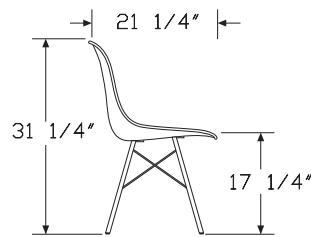
Natural maple (UL) and white ash (A2) dowel legs have white glides.

Dowel base has glide option to include felt bottom.

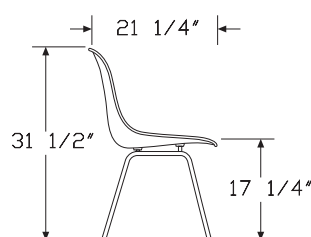
## Dimensions



Wire Base



Dowel-Leg Base



4-Leg Base

## Specification Information

### Step 1.

**DWS**  A

### Step 2. Base Option

- R.** wire base
- W.** dowel base  A
- X.** 4-leg base  A

### Prices for Steps 1-2.

<b>DWSR.</b>	\$753
<b>DWSW.</b>	\$899
<b>DWSX.</b>	\$743

### Step 3. Base Finish

<b>91</b>	white <input type="checkbox"/> A	+\$0
<b>BK</b>	black	+\$0
<b>47</b>	trivalent chrome	+\$20

### Step 4. Dowel Finish

For dowel base (W.)

<b>UL</b>	natural maple <input type="checkbox"/> A	+\$0
<b>A2</b>	white ash <input type="checkbox"/> A	+\$30
<b>EN</b>	ebony <input type="checkbox"/> A	+\$30
<b>OU</b>	walnut	+\$30

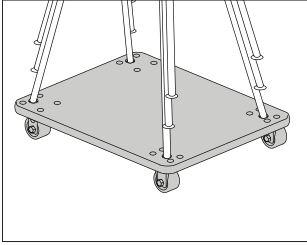
### Step 5. Seat/Back Finish

<b>EN</b>	ebony <input type="checkbox"/> A	+\$116
<b>OU</b>	walnut <input type="checkbox"/> A	+\$0
<b>A2</b>	white ash <input type="checkbox"/> A	+\$116
<b>9N</b>	santos palisander	+\$289

### Step 6. Glide Option

<b>E8</b>	standard glide	+\$0
<b>E9</b>	standard glide with felt bottom	+\$25

Eames® Side Chair Stacking Base DOLLY.  
Dolly



**Product Information**

**Description**

This chair dolly stores and transports up to 28 Eames® plastic side chairs with the stacking/ganging base option. It is made of plywood and has 2 locking and 2 non-locking casters.

**Notes**

Single dolly supports 1 stack of 14 chairs. Double dolly supports 2 stacks of 14 chairs.

**Dimensions**

**Specification Information**

Step 1.

**DOLLY.**

Step 2. Type

**A** single

**B** double

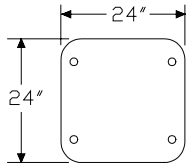
Prices for Steps 1-2.

**DOLLY. A**

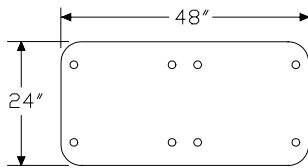
\$473

**B**

\$552



A (Single)



B (Double)

# Eames® Wire Chair

DKR.  
DKW.  
DKX.



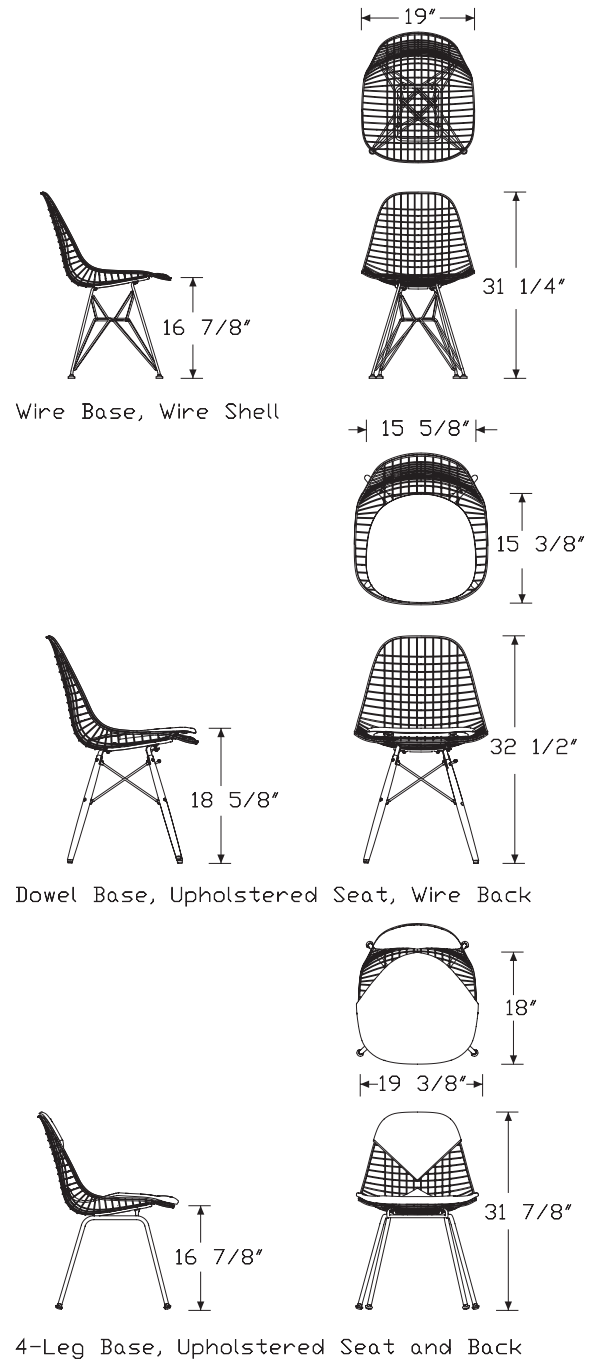
Herman Miller Collection—Side & Stacking Chairs

## Product Information

### Description

This chair has a wire shell, a wire shell with upholstered seat and back, or a wire shell with upholstered seat and wire back. Wire shell and metal bases are available in trivalent chrome, white or black. Dowel base is available in several finishes. Chair comes with standard indoor glides with or without felt. Suitable for indoor use only.

## Dimensions





**Specification Information**

Step 1.

**DK**  A

Step 2. Base

**R.** wire leg  A

**X.** 4-leg base  A

**W.** dowel base  A

Step 3. Seat/Back Material

**0** wire shell

**2** wire shell/upholstered seat/back

**5** wire shell/upholstered seat/wire back

Prices for Steps 1-3.

<b>DKR.</b>	<b>0</b>	\$799
	<b>2</b>	\$1290
	<b>5</b>	\$1049

<b>DKX.</b>	<b>0</b>	\$789
	<b>2</b>	\$1280
	<b>5</b>	\$1039

<b>DKW.</b>	<b>0</b>	\$945
	<b>2</b>	\$1436
	<b>5</b>	\$1195

Step 4. Seat Frame/Leg Finish

**47** trivalent chrome +\$20

**91** white +\$0

**BK** black +\$0

Step 5. Dowel Finish

*For dowel base (W.)*

**UL** natural maple  A +\$0

**A2** white ash  A +\$30

**EN** ebony  A +\$30

**OU** walnut  A +\$30

Step 6. Upholstery

*For wire shell/upholstered seat/back (2)*

Price Category 5 +\$59

Price Category 9 +\$209

Price Category 11 +\$254

Price Category D +\$79

Price Category K +\$380

*For wire shell/upholstered seat/wire back (5)*

Price Category 1  A +\$0

Price Category 2 +\$25

Price Category 4 +\$33

Price Category 5 +\$59

Price Category 9 +\$209

Price Category 11 +\$254

Price Category G +\$170

Price Category H +\$210

Price Category K +\$380

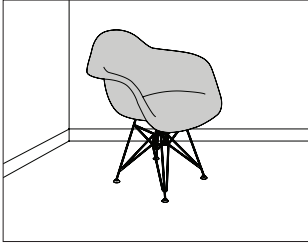
Step 7. Glide Option

**E8** standard glide  A +\$0

**E9** standard glide with felt bottom  A +\$25

# Eames® Molded Plastic Armchair

DAR.  
DAW.  
DAX.



Herman Miller Collection—Side & Stacking Chairs

## Product Information

### Description

This chair has a single-piece shell with waterfall edges and molded back, seat and arms. Base options include a wire base, dowel base, or a 4-leg base. The dowel base has non-adjustable nylon glides.

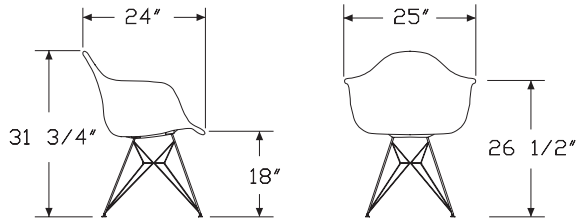
### Notes

Ebony (EN) and walnut (OU) dowel legs are stained ash wood with black glides.

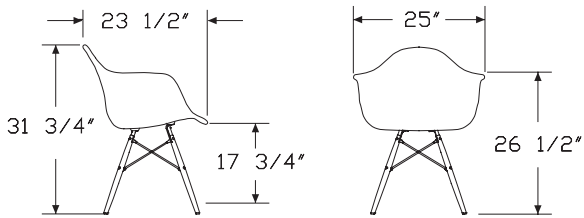
Natural maple (UL) and white ash (A2) dowel legs have white glides.

Dowel base has glide option to include felt bottom.

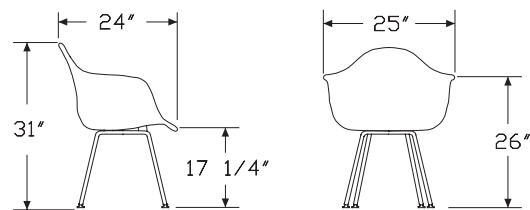
### Dimensions



Wire Base



Dowel-Leg Base



4-Leg Base

## Specification Information

### Step 1.

**DA**

### Step 2. Base Option

- R.** wire base with nonupholstered shell
- W.** dowel base with nonupholstered shell
- X.** 4-leg base with nonupholstered shell

### Prices for Steps 1-2.

<b>DAR.</b>	\$490
<b>DAW.</b>	\$636
<b>DAX.</b>	\$480

### Step 3. Base Finish

<b>91</b>	white <span style="border: 1px solid black; padding: 0 2px;">A</span>	+\$0
<b>BK</b>	black	+\$0
<b>47</b>	trivalent chrome	+\$20

### Step 4. Dowel Finish

*For dowel base with nonupholstered shell (W.)*

<b>UL</b>	natural maple	+\$0
<b>A2</b>	white ash <span style="border: 1px solid black; padding: 0 2px;">A</span>	+\$30
<b>EN</b>	ebony	+\$30
<b>OU</b>	walnut	+\$30

### Step 5. Seat/Back Finish

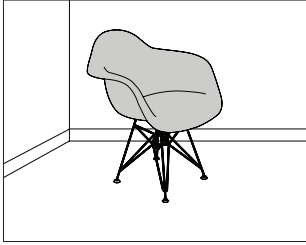
<b>4T</b>	aqua sky	+\$0
<b>5B</b>	java	+\$0
<b>9J</b>	sparrow	+\$0
<b>BLE</b>	blue ice	+\$0
<b>BLH</b>	blush	+\$0
<b>CHL</b>	charcoal	+\$0
<b>KGR</b>	kelly green	+\$0
<b>PBL</b>	peacock blue	+\$0
<b>PYW</b>	pale yellow	+\$0
<b>STN</b>	stone	+\$0
<b>ZA</b>	black	+\$0
<b>ZE</b>	red orange	+\$0
<b>ZF</b>	white	+\$0
<b>ZM</b>	alpine	+\$0

### Step 6. Glide Option

<b>E8</b>	standard glide	+\$0
<b>E9</b>	standard glide with felt bottom	+\$25

Eames® Upholstered Molded Plastic Armchair

DAR.  
DAW.  
DAX.



**Product Information**

**Description**

This chair has a single-piece molded plastic shell with waterfall edges and upholstered back, seat and arms or an upholstered seat pad. Base options include a wire base, dowel base, or a 4-leg base. The dowel base has non-adjustable nylon glides. Standard glides can be ordered with or without felt. Ships assembled.

**Notes**

Ebony (EN) and walnut (OU) dowel legs are stained ash wood with black glides.

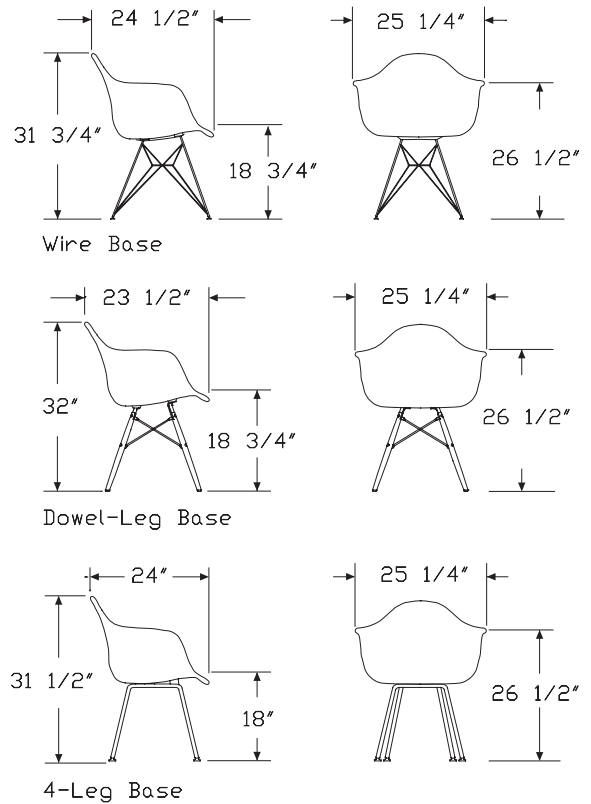
Natural maple (UL) and white ash (A2) dowel legs have white glides.

Dowel base has glide option to include felt bottom.

Seat pad upholstered with textiles or leather for indoor use only.

For upholstered seat pad (P), Customer's Own Material (COM) requires 1 yard. Customer's Own Leather (COL) requires 9 square feet. See Order Information in appendices.

**Dimensions**



# Eames® Upholstered Molded Plastic Armchair *continued*

## Specification Information

### Step 1.

**DA**  A

### Step 2. Base Option

**R.** wire leg  A

**W.** dowel base  A

**X.** 4-leg base  A

### Step 3. Upholstery

**P** upholstered seat pad  A

**U** fully upholstered shell  A

### Prices for Steps 1-3.

<b>DAR.</b>	<b>P</b>	\$560
	<b>U</b>	\$600

<b>DAW.</b>	<b>P</b>	\$706
	<b>U</b>	\$746

<b>DAX.</b>	<b>P</b>	\$550
	<b>U</b>	\$590

### Step 4. Base Finish

**91** white  A +\$0

**BK** black  A +\$0

**47** trivalent chrome  A +\$20

### Step 5. Dowel Finish

*For dowel base (W.)*

**UL** natural maple  A +\$0

**A2** white ash  A +\$30

**EN** ebony  A +\$30

**OU** walnut  A +\$30

### Step 6. Back Finish

**4T** aqua sky  A +\$0

**5B** java  A +\$0

**9J** sparrow  A +\$0

**ZA** black  A +\$0

**ZE** red orange  A +\$0

**ZF** white  A +\$0

**ZM** alpine +\$0

**PYW** pale yellow +\$0

**BLE** blue ice +\$0

**BLH** blush +\$0

**PBL** peacock blue +\$0

**STN** stone +\$0

**KGR** kelly green +\$0

**CHL** charcoal +\$0

### Step 7. Edge Finish

*For fully upholstered shell (U)*

**111** parchment  A +\$0

**BK** black  A +\$0

**ZF** white  A +\$0

### Step 8. Fabric

*For fully upholstered shell (U)*

Price Category 2 +\$35

Price Category 5 +\$45

Price Category B +\$30

Price Category H +\$212

Price Category K +\$380

*For upholstered seat pad (P)*

Price Category B +\$30

Price Category 1 +\$0

Price Category 2 +\$25

Price Category 4 +\$33

Price Category 5 +\$59

Price Category 9 +\$209

Price Category 11 +\$254

Price Category G +\$170

Price Category H +\$210

Price Category K +\$380

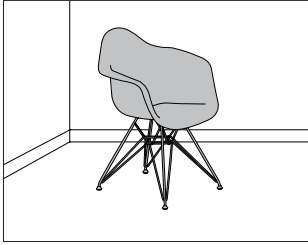
### Step 9. Glide Option

**E8** standard glide +\$0

**E9** standard glide with felt bottom +\$25

Eames® Molded Fiberglass  
Armchair

DFAR.  
DFAW.  
DFAX.



**Product Information**

**Description**

This chair has a single-piece nonupholstered shell with waterfall edges and molded fiberglass back, seat and arms. Base options include a wire base, dowel base, or a 4-leg base. The dowel base has nonadjustable nylon glides. Standard glides can be ordered with or without felt. Ships assembled.

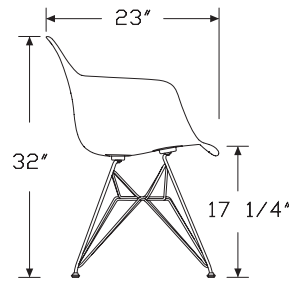
**Notes**

Ebony (EN) and walnut (OU) dowel legs are stained ash wood with black glides.

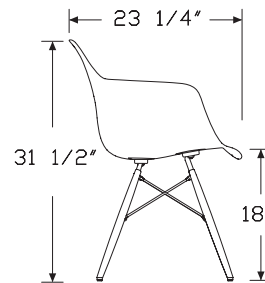
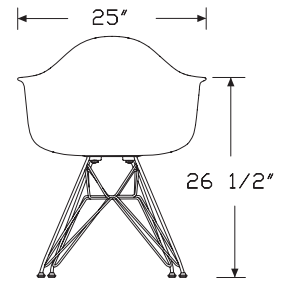
Natural maple (UL) and white ash (A2) dowel legs have white glides.

Dowel base has glide option to include felt bottom.

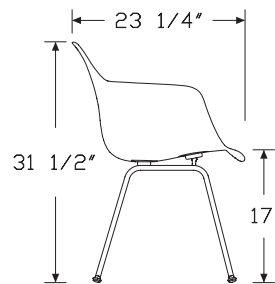
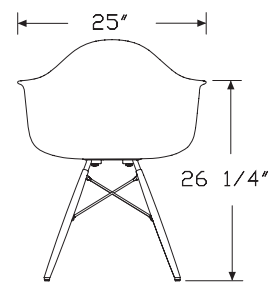
**Dimensions**



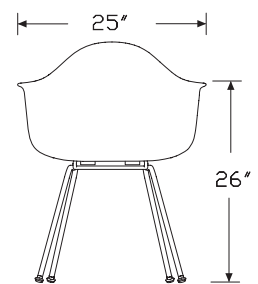
Wire Base



Dowel-Leg Base



4-Leg Base



# Eames® Molded Fiberglass Armchair *continued*

## Specification Information

### Step 1.

**DFA**

### Step 2. Base Option

- R.** wire base with nonupholstered shell
- W.** dowel base with nonupholstered shell
- X.** 4-leg base with nonupholstered shell

### Prices for Steps 1-2.

<b>DFAR.</b>	\$655
<b>DFAW.</b>	\$801
<b>DFAX.</b>	\$645

### Step 3. Base Finish

<b>91</b>	white	+\$0
<b>BK</b>	black	+\$0
<b>47</b>	trivalent chrome	+\$20

### Step 4. Dowel Finish

*For dowel base with nonupholstered shell (W.)*

<b>UL</b>	natural maple	+\$0
<b>A2</b>	white ash	+\$30
<b>EN</b>	ebony	+\$30
<b>OU</b>	walnut	+\$30

### Step 5. Seat/Back Finish

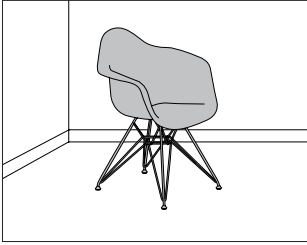
<b>111</b>	parchment	+\$0
<b>112</b>	elephant hide grey	+\$0
<b>113</b>	ultramarine blue	+\$0
<b>114</b>	red orange	+\$0
<b>115</b>	lemon yellow	+\$0
<b>116</b>	green	+\$0
<b>117</b>	navy blue	+\$0
<b>118</b>	black	+\$0
<b>119</b>	seal brown	+\$0

### Step 6. Glide Option

<b>E8</b>	standard glide	+\$0
<b>E9</b>	standard glide with felt bottom	+\$25

Eames® Upholstered Molded  
Fiberglass Armchair

DFAR.  
DFAW.  
DFAX.



**Product Information**

**Description**

This chair has a single-piece molded fiberglass shell with waterfall edges and upholstered back, seat and arms or an upholstered seat pad. Base options include a wire base, dowel base, or 4-leg base. The dowel base has nonadjustable nylon glides. Standard glides can be ordered with or without felt. Ships assembled.

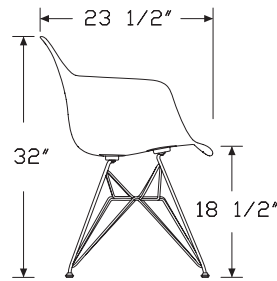
**Notes**

Ebony (EN) and walnut (OU) dowel legs are stained ash wood with black glides.

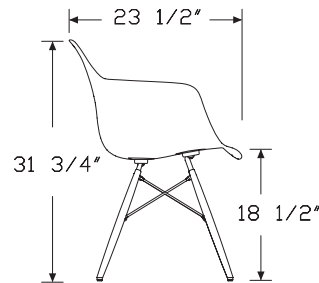
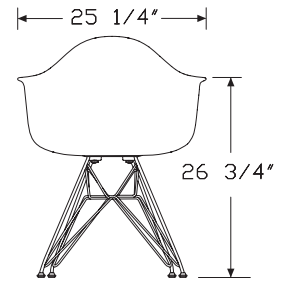
Natural maple (UL) and white ash (A2) dowel legs have white glides.

Dowel base has glide option to include felt bottom.

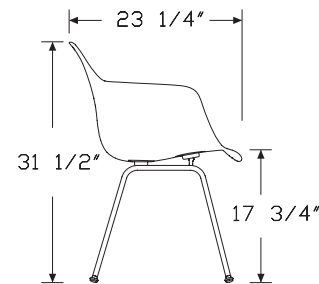
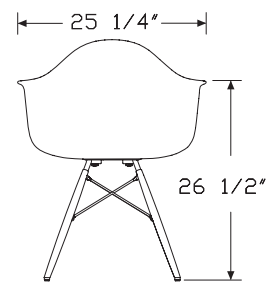
**Dimensions**



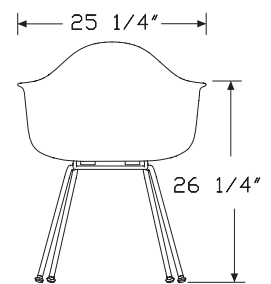
Wire Base



Dowel-Leg Base



4-Leg Base



# Eames® Upholstered Molded Fiberglass Armchair *continued*

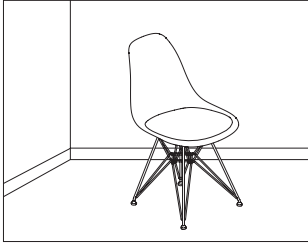
Specification Information	
Step 1.	
<b>DFA</b>	<input type="checkbox"/> A
Step 2. Base Option	
<b>R.</b>	wire leg <input type="checkbox"/> A
<b>W.</b>	dowel base <input type="checkbox"/> A
<b>X.</b>	4-leg base <input type="checkbox"/> A
Step 3. Upholstery	
<b>U</b>	fully upholstered shell <input type="checkbox"/> A
<b>P</b>	upholstered seat pad <input type="checkbox"/> A
Prices for Steps 1-3.	
<b>DFAR. U</b>	\$765
<b>P</b>	\$675
<b>DFAW. U</b>	\$911
<b>P</b>	\$871
<b>DFAX. U</b>	\$755
<b>P</b>	\$715
Step 4. Base Finish	
<b>91</b>	white <input type="checkbox"/> A +\$0
<b>BK</b>	black <input type="checkbox"/> A +\$0
<b>47</b>	trivalent chrome <input type="checkbox"/> A +\$20
Step 5. Dowel Finish	
<i>For dowel base (W.)</i>	
<b>UL</b>	natural maple <input type="checkbox"/> A +\$0
<b>A2</b>	white ash <input type="checkbox"/> A +\$30
<b>EN</b>	ebony <input type="checkbox"/> A +\$30
<b>OU</b>	walnut <input type="checkbox"/> A +\$30
Step 6. Back Finish	
<b>111</b>	parchment <input type="checkbox"/> A +\$0
<b>112</b>	elephant hide grey <input type="checkbox"/> A +\$0
<b>113</b>	ultramarine blue <input type="checkbox"/> A +\$0
<b>114</b>	red orange <input type="checkbox"/> A +\$0
<b>115</b>	lemon yellow <input type="checkbox"/> A +\$0
<b>116</b>	green <input type="checkbox"/> A +\$0
<b>117</b>	navy blue <input type="checkbox"/> A +\$0
<b>118</b>	black <input type="checkbox"/> A +\$0
<b>119</b>	seal brown <input type="checkbox"/> A +\$0

Step 7. Edge Finish	
<i>For fully upholstered shell (U)</i>	
<b>111</b>	parchment <input type="checkbox"/> A +\$0
<b>BK</b>	black <input type="checkbox"/> A +\$0
<b>ZF</b>	white <input type="checkbox"/> A +\$0
Step 8. Fabric	
<i>For fully upholstered shell (U)</i>	
Price Category 2	+\$35
Price Category 5	+\$45
Price Category B	+\$45
Price Category H	+\$212
Price Category K	+\$380
<i>For upholstered seat pad (P)</i>	
Price Category 1	+\$0
Price Category 2	+\$25
Price Category 4	+\$33
Price Category 5	+\$59
Price Category 9	+\$209
Price Category 11	+\$254
Price Category G	+\$170
Price Category H	+\$210
Price Category K	+\$380
Step 9. Glide Option	
<b>E8</b>	standard glide <input type="checkbox"/> A +\$0
<b>E9</b>	standard glide with felt bottom <input type="checkbox"/> A +\$25



Eames® Upholstered Molded  
Wood Side Chair

DWSR.  
DWSW.  
DWSX.



**Product Information**

**Description**

This side chair has a molded one-piece construction with waterfall edges, and measures .260" in thickness. It comes with an attached upholstered seat pad that is easily removable for cleaning or reupholstery. Base is attached by non-removable wooden shock mounts. Base options include a wire base, 4-leg base, or a dowel-leg base. The dowel-leg base has non-adjustable nylon glides.

**Notes**

Ebony (EN) and walnut (OU) dowel legs are stained ash wood with black glides.

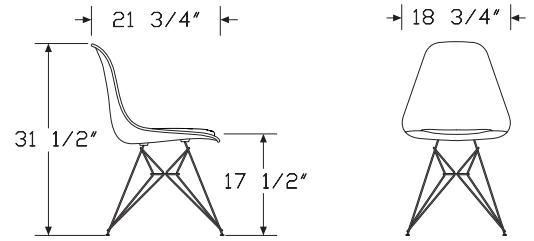
Natural maple (UL) and white ash (A2) dowel legs have white glides.

Dowel base has glide option to include felt bottom.

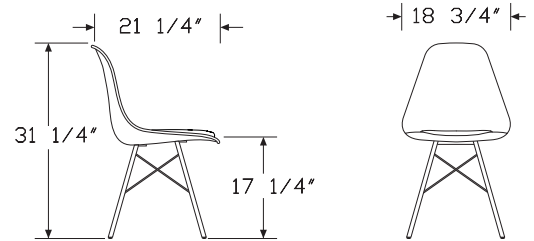
Seat pad is upholstered with textiles or leather for indoor use only.

Customer's Own Material (COM) requires 1 yard. Customer's Own Leather (COL) requires 9 square feet. See Order Information in appendices.

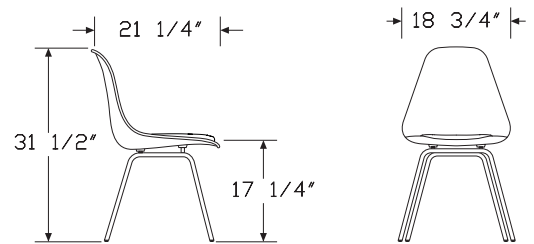
**Dimensions**



Wire Base



Dowel-Leg Base



4-Leg Base

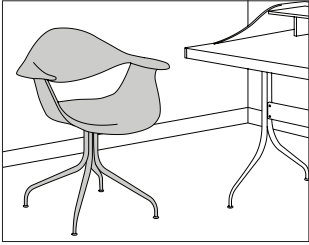
# Eames® Upholstered Molded Wood Side Chair *continued*

Specification Information	
Step 1.	
<b>DWS</b>	<input type="checkbox"/> A
Step 2. Base Option	
<b>R.</b>	wire base
<b>W.</b>	dowel base <input type="checkbox"/> A
<b>X.</b>	4-leg base <input type="checkbox"/> A
Step 3. Upholstery	
<b>P</b>	upholstered seat pad <input type="checkbox"/> A
Prices for Steps 1-3.	
<b>DWSR. P</b>	\$823
<b>DWSW. P</b>	\$969
<b>DWSX. P</b>	\$813
Step 4. Base Finish	
<b>91</b>	white <input type="checkbox"/> A +\$0
<b>BK</b>	black +\$0
<b>47</b>	trivalent chrome +\$20
Step 5. Dowel Finish	
<i>For dowel base (W.)</i>	
<b>UL</b>	natural maple <input type="checkbox"/> A +\$0
<b>A2</b>	white ash <input type="checkbox"/> A +\$30
<b>EN</b>	ebony <input type="checkbox"/> A +\$30
<b>OU</b>	walnut +\$30
Step 6. Seat/Back Finish	
<b>EN</b>	ebony <input type="checkbox"/> A +\$116
<b>OU</b>	walnut <input type="checkbox"/> A +\$0
<b>A2</b>	white ash <input type="checkbox"/> A +\$116
<b>9N</b>	santos palisander +\$289

Step 7. Upholstery	
Price Category 1	+\$0
Price Category 2	+\$25
Price Category 4	+\$33
Price Category 5	+\$59
Price Category 7	+\$111
Price Category 8	+\$146
Price Category 9	+\$209
Price Category 11	+\$254
Price Category G	+\$170
Price Category H	+\$210
Price Category K	+\$380
Step 8. Glide Option	
<b>E8</b>	standard glide +\$0
<b>E9</b>	standard glide with felt bottom +\$25

Nelson™ Swag Leg Armchair

DAF

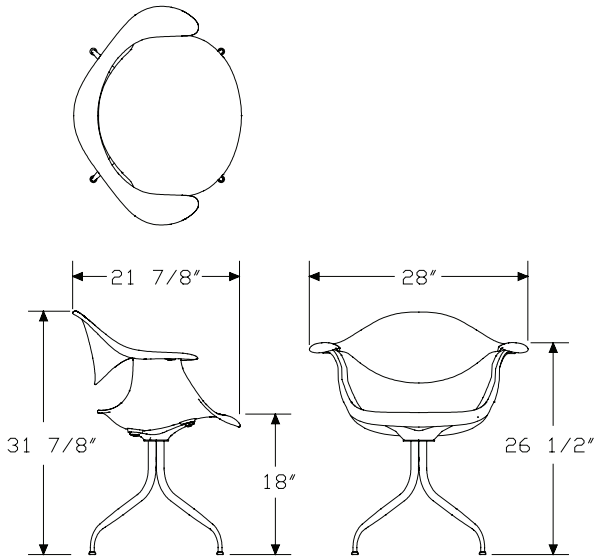


**Product Information**

**Description**

This chair has a 2-piece molded seat with arms and back, waterfall edges, a cast-aluminum base with steel-tube legs, and adjustable glides.

**Dimensions**



**Specification Information**

**Step 1.**

**DAF**  A \$728

**Step 2. Base Finish**

**CH** chrome  A +\$0

**Step 3. Seat Finish**

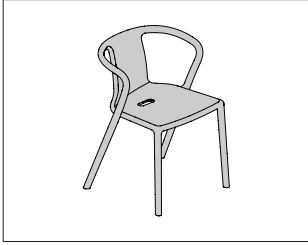
**ZF** white  A +\$0

**Step 4. Back Finish**

**ZF** white  A +\$0

# Air-Chair

MGA00.



Herman Miller Collection—Side & Stacking Chairs

## Product Information

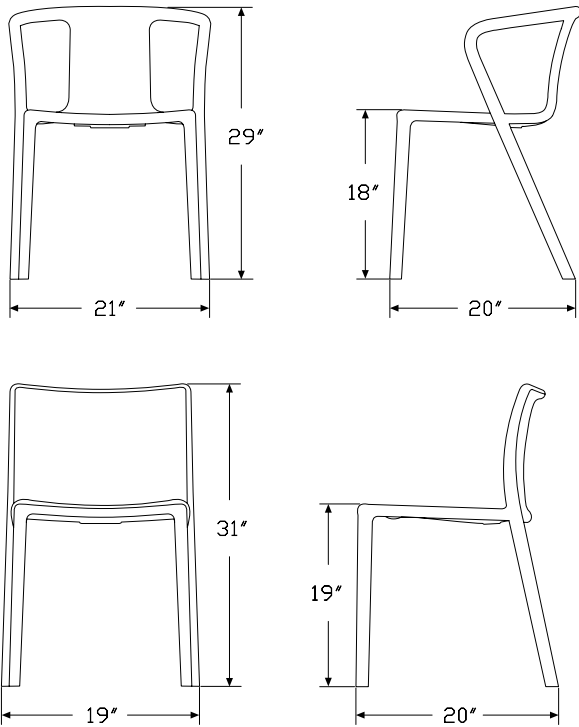
### Description

This stacking chair is available with or without arms and is made from polypropylene with glass fibre added. Chairs can stack up to 10 high. Package contains 4 chairs.

### Notes

This chair is suitable for outdoor use.

### Dimensions



## Specification Information

### Step 1.

**MGA00.**

### Step 2. Arms

- N** no arms
- A** arms

### Prices for Steps 1-2.

<b>MGA00.N</b>	\$773
<b>A</b>	\$858

### Step 3. Finish

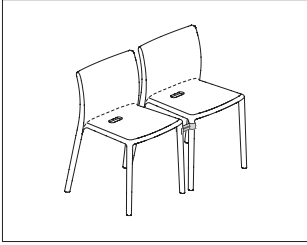
#### For no arms (N)

<b>YBB</b> beige <input type="checkbox"/>	+\$0
<b>YBC</b> black <input type="checkbox"/>	+\$0
<b>YBH</b> green <input type="checkbox"/>	+\$0
<b>YBM</b> orange <input type="checkbox"/>	+\$0
<b>YBP</b> white	+\$0
<b>PWH</b> pure white <input type="checkbox"/>	+\$0

#### For arms (A)

<b>YBB</b> beige <input type="checkbox"/>	+\$0
<b>YBH</b> green <input type="checkbox"/>	+\$0
<b>YBJ</b> grey anthracite <input type="checkbox"/>	+\$0
<b>YBM</b> orange <input type="checkbox"/>	+\$0
<b>YBP</b> white	+\$0
<b>PWH</b> pure white <input type="checkbox"/>	+\$0

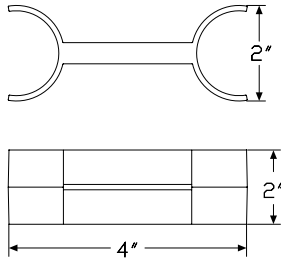
Air-Chair to Air-Chair Connector MGA90.



**Product Information**

Description  
This linking device connects air-chair to air-chair (MGA01, MGA11.)

**Dimensions**

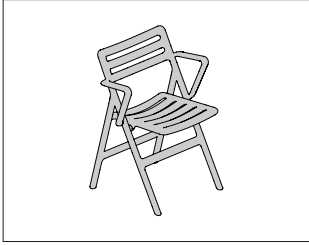


**Specification Information**

Step 1.  
**MGA90.** A \$15

# Air-Folding Chair

MGA01.



Herman Miller Collection—Side & Stacking Chairs

## Product Information

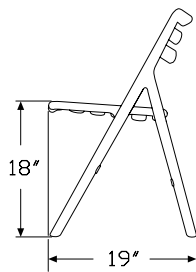
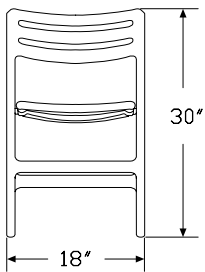
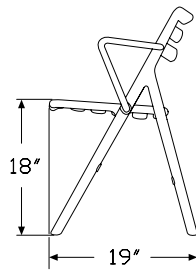
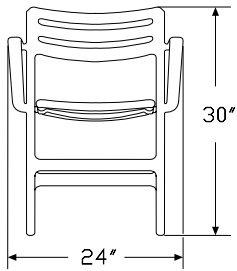
### Description

This folding chair is made from polypropylene with glass fibre added. It is available with or without arms. Package contains 2 chairs.

### Notes

This chair is suitable for outdoor use.

### Dimensions



## Specification Information

### Step 1.

**MGA01.**

### Step 2. Arms

**N** no arms

**A** arms  **A**

### Prices for Steps 1-2.

<b>MGA01.N</b>	\$428
<b>A</b>	\$474

### Step 3. Finish

#### For no arms (N)

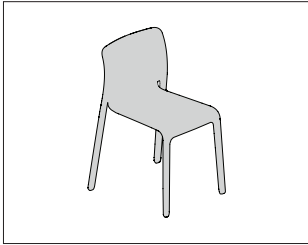
<b>YBH</b> green <input type="checkbox"/> <b>A</b>	+\$0
<b>YBM</b> orange <input type="checkbox"/> <b>A</b>	+\$0
<b>YBP</b> white	+\$0

#### For arms (A)

<b>YBP</b> white	+\$0
------------------	------

Chair First

MGF00.



**Product Information**

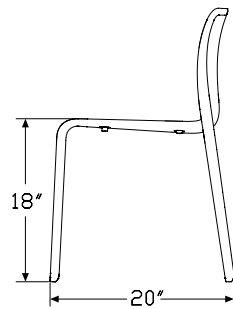
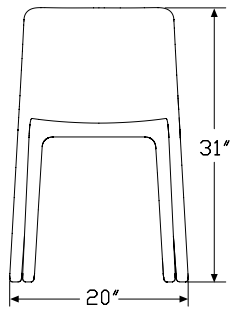
**Description**

This stacking chair is made from polypropylene with glass fibre added. Chairs can stack up to 10 high. Package contains 4 chairs.

**Notes**

Chair is suitable for outdoor use.

**Dimensions**



**Specification Information**

**Step 1.**

**MGF00.**  A \$1091

**Step 2. Finish**

**YGB** beige  A +\$0  
**YGC** black  A +\$0  
**YGH** olive green  A +\$0  
**YGM** white  A +\$0

Chair\_One Stacking Base

MGE00.



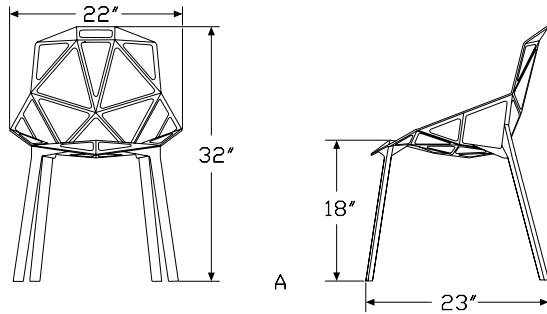
Herman Miller Collection—Side & Stacking Chairs

**Product Information**

**Description**  
 This chair comes with a four-leg base. Chairs can stack up to 8 high. Package contains 2 chairs.

**Notes**  
 Chairs with painted aluminum seat and legs or painted aluminum seat/ polished aluminum legs are suitable for outdoor use.  
 Chairs with polished aluminum seat and legs (AL) are NOT suitable for outdoor use.

**Dimensions**



**Specification Information**

Step 1.

**MGE00.A**

Step 2. Seat/Leg Material

**PA** painted aluminum seat and legs

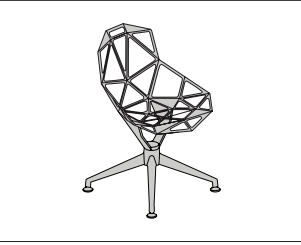
Prices for Steps 1-2.

**MGE00.A PA** \$1150

Step 3. Seat Finish

- YHB** black  +\$0
- YHP** white  +\$0
- HAA** ADAPTA grey  +\$240
- HAB** ADAPTA white  +\$240
- HAC** ADAPTA grey/green  +\$240
- HAD** ADAPTA blue  +\$240





**Product Information**

**Description**

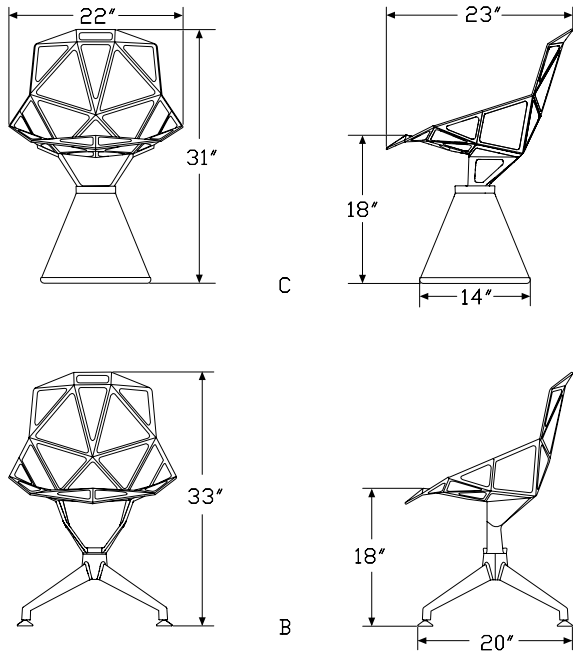
This chair is available with a four-star or concrete base, with or without swivel.

**Notes**

Chairs with painted aluminum seat and legs (PA) or painted aluminum seat and concrete base (PC) are suitable for outdoor use.

Chairs with polished aluminum seat and legs (AL) or polished aluminum with concrete base (PD) are NOT suitable for outdoor use.

**Dimensions**



**Specification Information**

**Step 1.**

**MGE00.** [A]

**Step 2. Base**

- B** 4-star base [A]
- C** concrete base [A]
- D** 4-star base, swivel [A]
- E** concrete base, swivel [A]

**Step 3. Seat/Leg Material**

*For 4-star base (B) or 4-star base, swivel (D)*

**PA** painted aluminum seat and legs [A]

*For concrete base (C) or concrete base, swivel (E)*

**PC** painted aluminum seat/natural concrete base [A]

**Prices for Steps 1-3.**

	PA	PC
<b>MGE00.B</b>	\$730	—
<b>C</b>	—	\$870
<b>D</b>	\$730	—
<b>E</b>	—	\$1130

**Step 4. Seat Finish**

*For 4-star base (B) or 4-star base, swivel (D) with painted aluminum seat and legs (PA)*

<b>YHB</b> black [A]	+\$0
<b>YHP</b> white [A]	+\$0
<b>HAA</b> ADAPTA grey [A]	+\$240
<b>HAB</b> ADAPTA white [A]	+\$240
<b>HAC</b> ADAPTA grey/green [A]	+\$240
<b>HAD</b> ADAPTA blue [A]	+\$240

*For concrete base (C) or concrete base, swivel (E) with painted aluminum seat/natural concrete base (PC)*

<b>YHB</b> black [A]	+\$0
<b>YHM</b> red [A]	+\$0
<b>YHP</b> white [A]	+\$0
<b>HAA</b> ADAPTA grey [A]	+\$200
<b>HAB</b> ADAPTA white [A]	+\$200
<b>HAC</b> ADAPTA grey/green [A]	+\$200
<b>HAD</b> ADAPTA blue [A]	+\$200

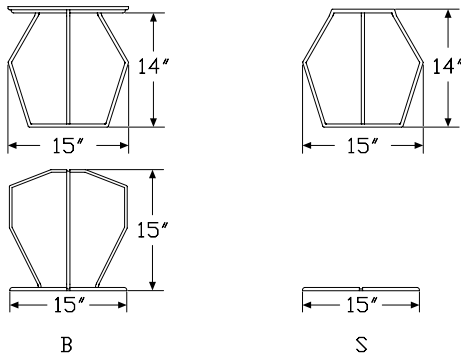


**Product Information**

**Description**

This cushion is available as a seat and back or seat only. Package contains 2 seat and back cushions or 2 seat cushions.

**Dimensions**



**Specification Information**

**Step 1.**

**MGE90.** [A]

**Step 2. Type**

**S** seat cushion [A]

**B** seat and back cushion [A]

**Prices for Steps 1-2.**

<b>MGE90.S</b>	\$338
<b>B</b>	\$521

**Step 3. Fabric**

*For seat cushion (S)*

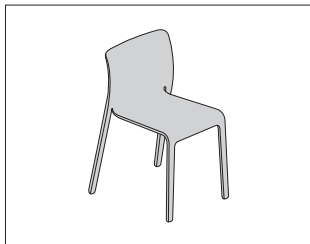
<b>PN1</b>	white polyurethane [A]	+\$0
<b>PN2</b>	black polyurethane [A]	+\$0
<b>PN3</b>	grey polyurethane [A]	+\$0
<b>PN4</b>	blue polyurethane [A]	+\$0
<b>PN5</b>	grey/green polyurethane [A]	+\$0
<b>YHC</b>	black leather [A]	+\$264
<b>YHK</b>	natural leather [A]	+\$264

*For seat and back cushion (B)*

<b>YHC</b>	black leather [A]	+\$366
<b>YHK</b>	natural leather [A]	+\$366

Dressed First

MGX00.

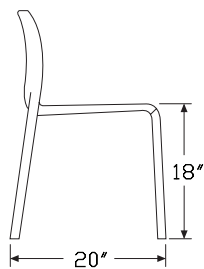
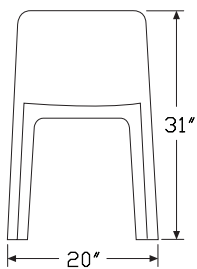


**Product Information**

**Description**

This stacking chair is made from polyurethane foam covered with fabric. Package contains 2 chairs.

**Dimensions**



**Specification Information**

**Step 1.**

**MGX00.**  A \$2307

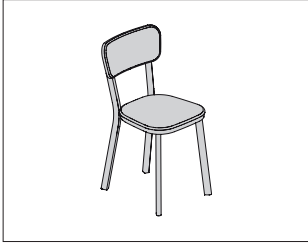
**Step 2. Fabric**

Price Category G +\$0

Price Category H +\$0

# Deja-Vu Chair

MGD00.



Herman Miller Collection—Side & Stacking Chairs

## Product Information

### Description

This chair is available in polished or painted aluminum. Painted version is suitable for outdoor use.

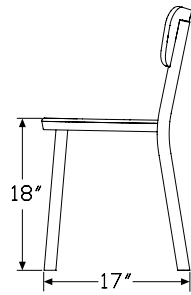
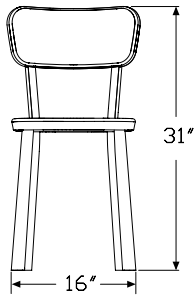
### Notes

Seat and inner back material is die-cast aluminum. Legs are extruded aluminum.

Painted aluminum (PA) finish is suitable for outdoor use.

Polished aluminum (AL) finish is NOT suitable for outdoor use.

## Dimensions



## Specification Information

### Step 1.

**MGD00.**  A

### Step 2. Finish

**AL** polished aluminum  A

**PA** painted aluminum

### Prices for Steps 1-2.

<b>MGD00.AL</b>	\$755
<b>PA</b>	\$809

### Step 3. Leg/Seat/Back Finish

#### For polished aluminum (AL)

**YFD** polished aluminum  A +\$0

#### For painted aluminum (PA)

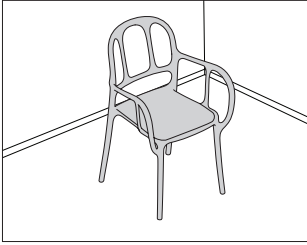
**YFB** black  A +\$0

**YLT** red purple  A +\$0

**YLV** sand beige  A +\$0

Mila Chair

XXSD2

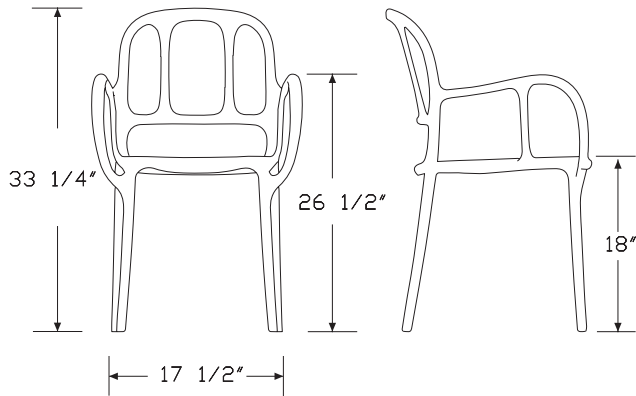
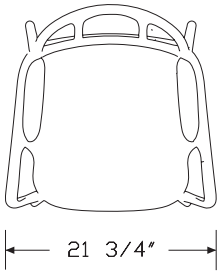


**Product Information**

**Description**

This stacking plastic chair is suitable for indoor or outdoor use. Stacks up to 6 high. Package contains 2 chairs.

**Dimensions**



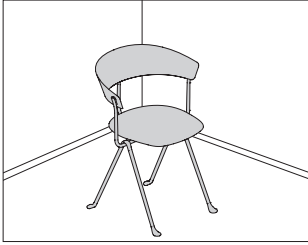
**Specification Information**

**Step 1.**

**XXSD2100**  A \$778

**Step 2. Finish**

- 1484C** red  A +\$0
- 1556C** dark green  A +\$0
- 1666C** yellow  A +\$0
- 1733C** beige  A +\$0
- 1738C** white  A +\$0
- 1769C** black  A +\$0

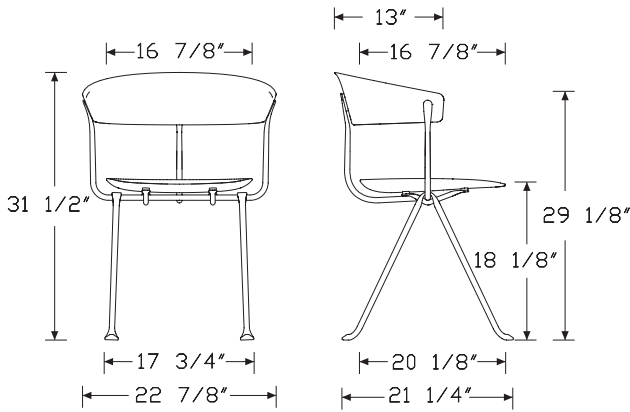


**Product Information**

**Description**

This chair has a wrought iron frame available in a galvanized or painted grey anthracite finish. The seat and back are available in polypropylene, beech plywood, fabric or leather. Chair sold individually. Ships assembled.

**Dimensions**



**Specification Information**

**Step 1.**

**SD205X**  A

**Step 2. Seat and Back**

- F** fabric upholstery  A
- L** leather upholstery  A
- P** polypropylene  A
- W** plywood  A

**Prices for Steps 1-2.**

<b>SD205X F</b>	\$1789
<b>L</b>	\$1849
<b>P</b>	\$749
<b>W</b>	\$1489

**Step 3. Frame Finish**

- GLV** galvanized  A +\$0
- YCB** grey anthracite  A +\$0

**Step 4. Seat and Back Finish**

*For polypropylene (P)*

- DKG** dark green  A +\$0
- MTG** metallized grey  A +\$0
- YCB** grey anthracite  A +\$0

*For leather upholstery (L)*

- BLK** black  A +\$0
- YNL** natural  A +\$0

*For plywood (W)*

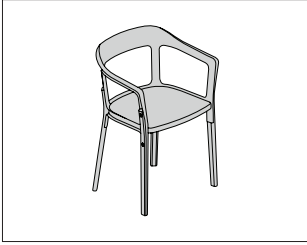
- YNC** natural beech  A +\$0
- YNM** black beech  A +\$0

*For fabric upholstery (F)*

- Price Category G +\$0
- Price Category H +\$0

# Steelwood Chair

MGS00.

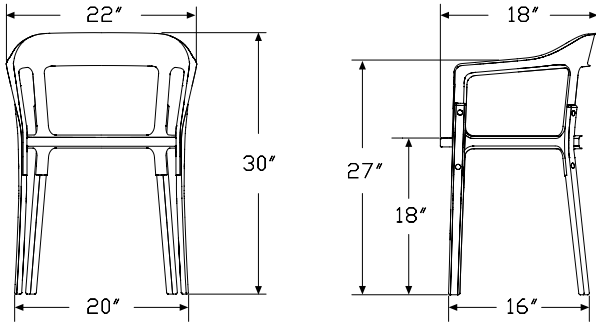


### Product Information

#### Description

The frame of this chair with arms is a steel plate painted in epoxy resin. The legs and seat are solid beech or oak, available in natural and painted.

#### Dimensions



### Specification Information

#### Step 1.

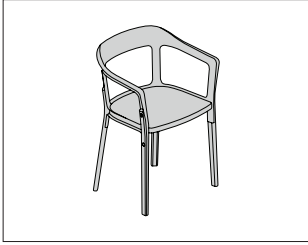
**MGS00.** A \$835

#### Step 2. Legs/Seat/Frame Finish

<b>YHH</b>	grey anthracite <span style="border: 1px solid black; padding: 0 2px;">A</span>	+\$0
<b>YMB</b>	black <span style="border: 1px solid black; padding: 0 2px;">A</span>	+\$0
<b>YMF</b>	white <span style="border: 1px solid black; padding: 0 2px;">A</span>	+\$0
<b>YMK</b>	natural beech and black <span style="border: 1px solid black; padding: 0 2px;">A</span>	+\$0
<b>YMP</b>	grey <span style="border: 1px solid black; padding: 0 2px;">A</span>	+\$0
<b>YMM</b>	natural beech and white	+\$0
<b>YNN</b>	walnut-stained beech and black	+\$0
<b>YNP</b>	dark beech and black <span style="border: 1px solid black; padding: 0 2px;">A</span>	+\$0
<b>YNQ</b>	natural oak and white <span style="border: 1px solid black; padding: 0 2px;">A</span>	+\$100
<b>YNR</b>	natural oak and black	+\$100
<b>YNS</b>	natural oak and grey <span style="border: 1px solid black; padding: 0 2px;">A</span>	+\$100
<b>YNT</b>	dark oak and grey anthracite <span style="border: 1px solid black; padding: 0 2px;">A</span>	+\$100

# Steelwood Upholstered Chair

MGS00.



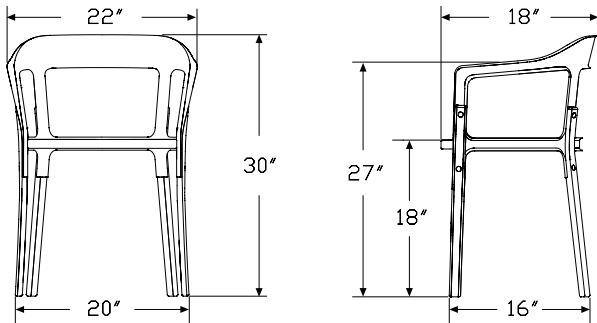
Herman Miller Collection—Side & Stacking Chairs

## Product Information

**Description**  
 The frame of this chair with arms is a steel plate painted in epoxy resin. The legs are solid beech, painted, and the seat is polypropylene upholstered in Kvadrat Divina MD.

**Notes**  
 This chair meets CAL 133 requirements.

## Dimensions



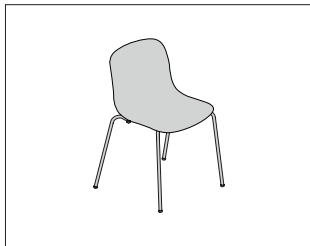
## Specification Information

<b>Step 1.</b>	
<b>MGS00.U</b> <input type="checkbox"/>	\$895
<b>Step 2. Legs/Seat/Frame Finish</b>	
<b>YMB</b> black <input type="checkbox"/>	+\$0
<b>Step 3. Fabric</b>	
Price Category H	+\$0



# Troy Plastic Chair

MGY08.

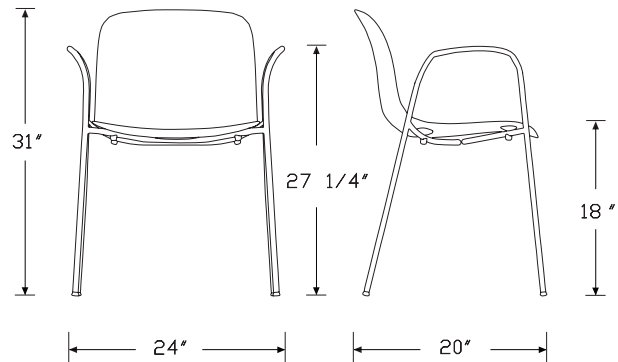


## Product Information

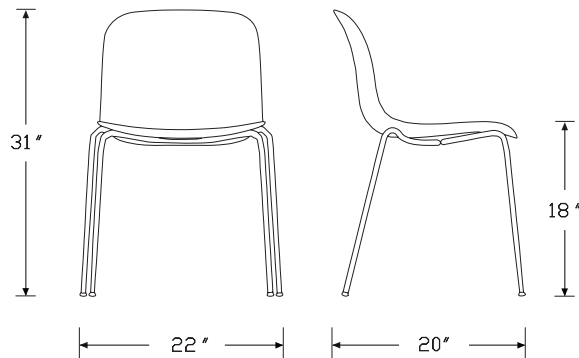
### Description

The frame of this stacking chair is steel tube available in chrome or painted, or wood available in black or natural. The seat and back are plastic. Available with or without arms. Chairs with metal frame can stack up to 6 high. Wood frame chairs cannot stack. Package contains 2 chairs.

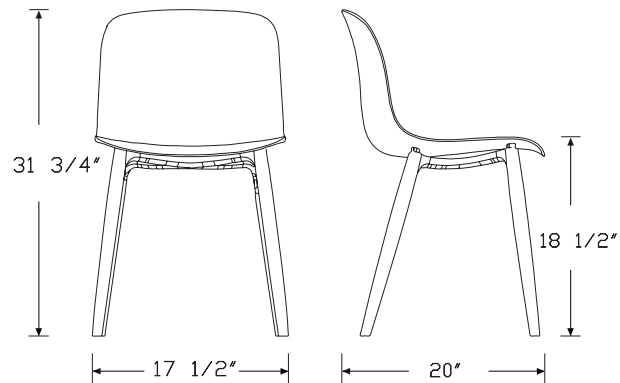
## Dimensions



Steel frame with arms



Steel frame no arms



Wood frame

# Troy Plastic Chair *continued*

## Specification Information

### Step 1.

**MGY08.**  A

### Step 2. Frame

- P** painted frame no arms  A
- PA** painted frame with arms  A
- C** chrome frame no arms  A
- CA** chrome frame with arms  A
- BW** black wood frame no arms  A
- NW** natural wood frame no arms  A

### Prices for Steps 1-2.

<b>MGY08. P</b>	\$803
<b>PA</b>	\$1026
<b>C</b>	\$885
<b>CA</b>	\$1163
<b>BW</b>	\$985
<b>NW</b>	\$985

### Step 3. Seat Finish

*For painted frame no arms (P), painted frame with arms (PA), chrome frame no arms (C), chrome frame with arms (CA), or natural wood frame no arms (NW)*

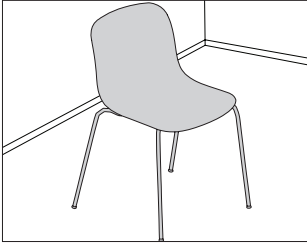
<b>YNG</b> black <input type="checkbox"/> A	+\$0
<b>YNJ</b> white <input type="checkbox"/> A	+\$0
<b>YLW</b> yellow <input type="checkbox"/> A	+\$0
<b>YGJ</b> purple <input type="checkbox"/> A	+\$0
<b>YBH</b> green <input type="checkbox"/> A	+\$0
<b>YGK</b> red <input type="checkbox"/> A	+\$0

*For black wood frame no arms (BW)*

<b>YNG</b> black <input type="checkbox"/> A	+\$0
---	------

# Troy Upholstered Chair

MGY01.

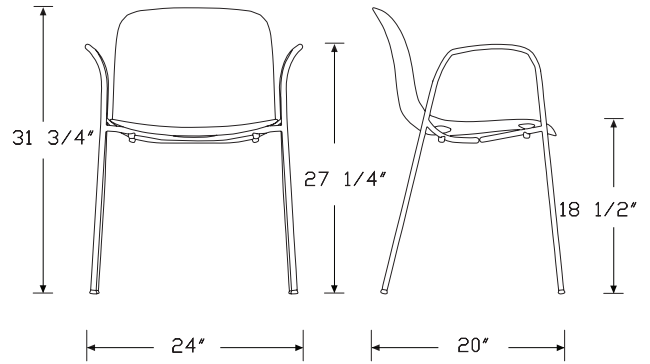


## Product Information

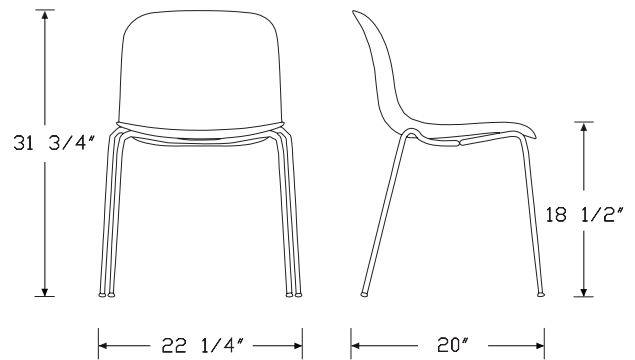
### Description

This side chair has a steel tube frame available in chrome or painted in white or black, or a wood frame available in black or natural. The plastic seat and back are upholstered in fabric. Available with or without arms. Chairs with metal frame can stack up to 6 high. Wood frame chairs cannot stack. Package contains 2 chairs.

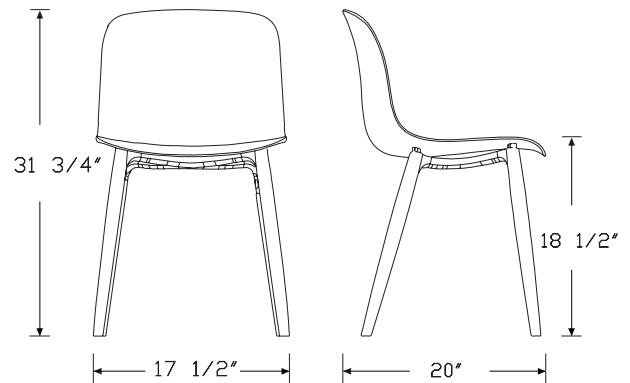
## Dimensions



Steel frame with arms



Steel frame no arms



Wood frame

# Troy Upholstered Chair *continued*

## Specification Information

### Step 1.

**MGY01.**  A

### Step 2. Frame Type

**N** metal frame no arms  A

**A** metal frame with arms  A

**W** wood frame no arms  A

### Prices for Steps 1-2.

<b>MGY01.N</b>	\$2109
<b>A</b>	\$2339
<b>W</b>	\$2209

### Step 3. Frame Finish

#### *For metal frame no arms (N) or metal frame with arms (A)*

<b>YNG</b> black <input type="checkbox"/> A	+\$0
<b>YNJ</b> white <input type="checkbox"/> A	+\$0
<b>YNK</b> chrome <input type="checkbox"/> A	+\$0

#### *For wood frame no arms (W)*

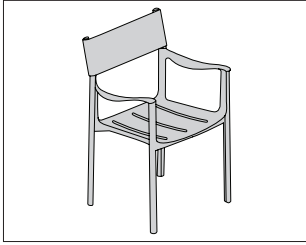
<b>BW</b> black wood <input type="checkbox"/> A	+\$0
<b>NW</b> natural wood <input type="checkbox"/> A	+\$0

### Step 4. Fabric

Price Category G	+\$0
Price Category H	+\$0

# Venice Chair

MGU00.



### Product Information

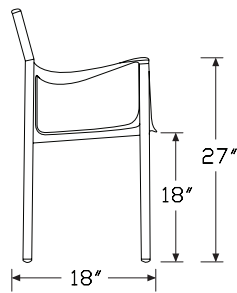
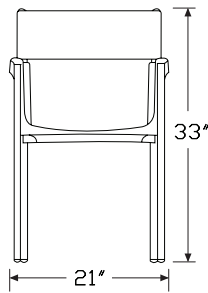
#### Description

This stacking chair with arms has a seat of die-cast aluminum, polished or painted in polyester powder. Legs are extruded aluminum, polished or painted in polyester powder. Back is thermoplastic rubber or leather. Chairs stack up to 6 high. Painted frame is suitable for outdoor use. Sold in sets of 2 only.

#### Notes

Polished (YCD) frame is NOT suitable for outdoor use.

#### Dimensions



### Specification Information

#### Step 1.

**MGU00.**  A \$1431

#### Step 2. Frame Finish

**YNG** black  A +\$0

**YCD** polished  A +\$1300

#### Step 3. Seat Finish

##### For black (YNG)

**YBC** black  A +\$0

**YMP** grey  A +\$0

**YBH** green  A +\$0

**YMN** light blue  A +\$0

**YBG** fuchsia  A +\$0

**YBM** orange  A +\$0

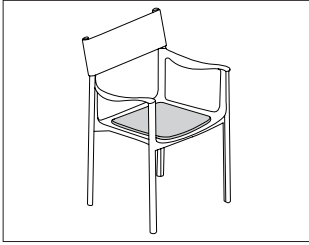
##### For polished (YCD)

**YHC** black leather  A +\$0

**YHK** natural leather  A +\$0

Venice Cushion

MGU90.



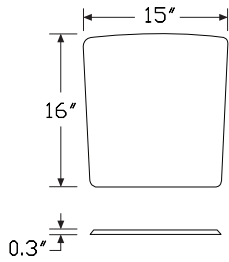
Herman Miller Collection—Side & Stacking Chairs

**Product Information**

**Description**

This seat cushion is expanded polyethylene covered in fabric.

**Dimensions**



**Specification Information**

**Step 1.**

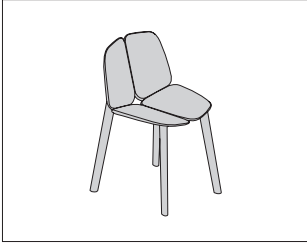
**MGU90.** A \$401

**Step 2. Seat Finish**

<b>YBC</b>	black <span style="border: 1px solid black; padding: 0 2px;">A</span>	+\$0
<b>YB7</b>	dark grey <span style="border: 1px solid black; padding: 0 2px;">A</span>	+\$0
<b>YBF</b>	dark green <span style="border: 1px solid black; padding: 0 2px;">A</span>	+\$0
<b>YGF</b>	blue <span style="border: 1px solid black; padding: 0 2px;">A</span>	+\$0
<b>YLB</b>	dark purple <span style="border: 1px solid black; padding: 0 2px;">A</span>	+\$0
<b>YB8</b>	brick red <span style="border: 1px solid black; padding: 0 2px;">A</span>	+\$0
<b>YHC</b>	black leather <span style="border: 1px solid black; padding: 0 2px;">A</span>	+\$50
<b>YHK</b>	natural leather <span style="border: 1px solid black; padding: 0 2px;">A</span>	+\$50

# Osso Chair

MGJ00.



### Product Information

#### Description

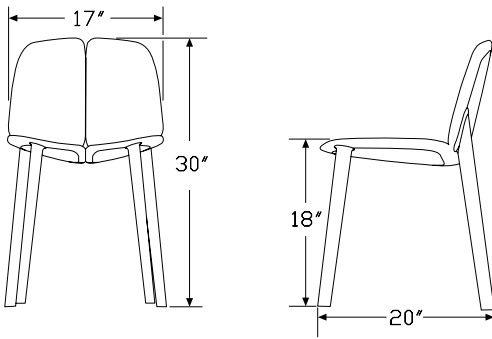
This solid wood side chair is available in an ash or oak frame.

#### Notes

Chairs are not stackable.

Upholstery not shown.

#### Dimensions



### Specification Information

#### Step 1.

**MGJ00.**  A

#### Step 2. Upholstery

**N** no upholstery  A

**U** upholstered seat  A

#### Prices for Steps 1-2.

<b>MGJ00. N</b>	\$1444
<b>U</b>	\$2200

#### Step 3. Frame Finish

<b>YSB</b> black wax ash	<input type="checkbox"/> A	+\$0
<b>YSC</b> blue wax ash	<input type="checkbox"/> A	+\$0
<b>YSD</b> green wax ash	<input type="checkbox"/> A	+\$0
<b>YSF</b> dark grey wax ash	<input type="checkbox"/> A	+\$0
<b>YSG</b> natural wax ash	<input type="checkbox"/> A	+\$0
<b>YSH</b> pink wax ash	<input type="checkbox"/> A	+\$0
<b>YSJ</b> white wax ash	<input type="checkbox"/> A	+\$0
<b>YSL</b> natural wax oak	<input type="checkbox"/> A	+\$187

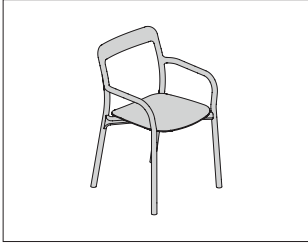
#### Step 4. Fabric

*For upholstered seat (U)*

<b>YGR01</b> gravel 139	<input type="checkbox"/> A	+\$0
<b>YGR02</b> gravel 149	<input type="checkbox"/> A	+\$0
<b>YGR03</b> gravel 179	<input type="checkbox"/> A	+\$0

# Branca Chair

MGR00.



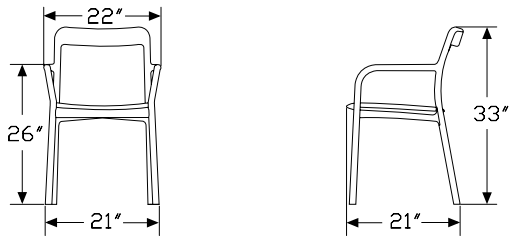
Herman Miller Collection—Side & Stacking Chairs

## Product Information

### Description

This solid wood chair with armrests is available with a solid ash frame. Chairs can stack up to 3 high.

### Dimensions



## Specification Information

### Step 1.

**MGR00.**  A

### Step 2. Upholstery

**N** no upholstery  A

**U** upholstered seat  A

### Prices for Steps 1-2.

<b>MGR00.N</b>	\$1595
<b>U</b>	\$2145

### Step 3. Frame Finish

<b>YRC</b>	chocolate/natural seat ash <input type="checkbox"/> A	+\$0
<b>YRD</b>	green wax ash <input type="checkbox"/> A	+\$0
<b>YRF</b>	natural wax ash <input type="checkbox"/> A	+\$0
<b>YRG</b>	white anilin ash <input type="checkbox"/> A	+\$0
<b>YRH</b>	black mat anilin ash <input type="checkbox"/> A	+\$0

### Step 4. Fabric

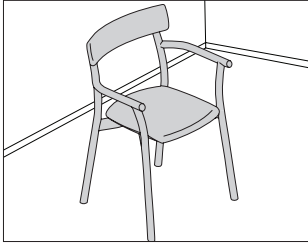
#### For upholstered seat (U)

<b>YDF01</b>	nord wool black/dark grey thread <input type="checkbox"/> A	+\$0
<b>YDF02</b>	nord wool grey/white thread <input type="checkbox"/> A	+\$0
<b>YDF03</b>	nord wool lime/dark grey thread <input type="checkbox"/> A	+\$0
<b>YDF04</b>	nord wool orange/white thread <input type="checkbox"/> A	+\$0
<b>YNV01</b>	novum cocos <input type="checkbox"/> A	+\$200
<b>YNV02</b>	novum rosewood <input type="checkbox"/> A	+\$200
<b>YNV03</b>	novum moss <input type="checkbox"/> A	+\$200
<b>YNV04</b>	novum lanoso <input type="checkbox"/> A	+\$200
<b>YNV05</b>	novum pepper <input type="checkbox"/> A	+\$200



# Chiaro Chair

MGCH00

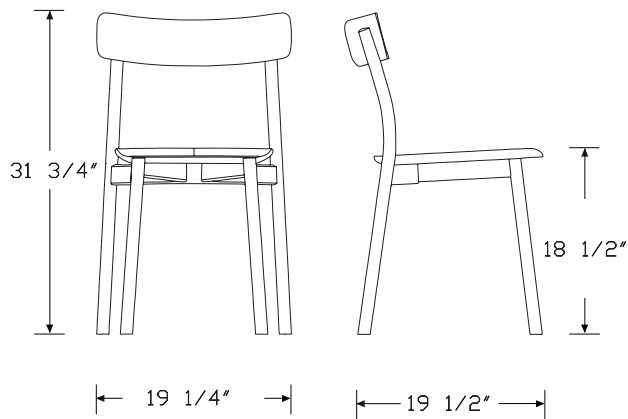
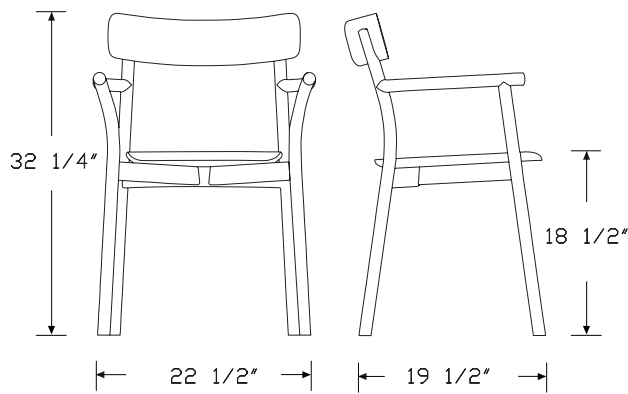


### Product Information

#### Description

This chair has an ash or oak frame with or without arms. It comes in 7 finishes and stacks 3 high. A nonremovable upholstered seat pad is optional.

#### Dimensions



### Specification Information

#### Step 1.

**MGCH00.**  A

#### Step 2. Arms

**N** no arms  A

**A** arms  A

#### Step 3. Upholstery

**N** no upholstery  A

**U** upholstered seat  A

#### Prices for Steps 1-3.

	N	U
<b>MGCH00. N</b>	\$850	1350
<b>A</b>	\$1095	1595

#### Step 4. Frame

**YSA** ash  A +\$0

**YFC** oak  A +\$150

#### Step 5. Finish

##### For ash (YSA)

**YBC** black  A +\$0

**YBP** white  A +\$0

**YDC** blue  A +\$0

**YLW** yellow  A +\$0

**YMP** grey  A +\$0

**YNL** natural  A +\$0

**YRK** dark red  A +\$0

##### For oak (YFC)

**YNL** natural  A +\$0

## Chiaro Chair *continued*

### Step 6. Fabric

#### *For upholstered seat (U)*

<b>YNV04</b>	novum lanoso	<input type="checkbox"/>	A	+\$0
<b>YNV06</b>	novum sunset	<input type="checkbox"/>	A	+\$0
<b>YNV07</b>	novum curry	<input type="checkbox"/>	A	+\$0
<b>YNV08</b>	novum ebony	<input type="checkbox"/>	A	+\$0
<b>YNV09</b>	novum azur	<input type="checkbox"/>	A	+\$0
<b>YNV10</b>	novum coral	<input type="checkbox"/>	A	+\$0
<b>YNV11</b>	novum kies	<input type="checkbox"/>	A	+\$0
<b>YNV13</b>	novum magenta	<input type="checkbox"/>	A	+\$0
<b>YNV14</b>	novum prune	<input type="checkbox"/>	A	+\$0
<b>YNV15</b>	novum samoa	<input type="checkbox"/>	A	+\$0
<b>YNV16</b>	novum snow	<input type="checkbox"/>	A	+\$0
<b>YNV17</b>	novum amur	<input type="checkbox"/>	A	+\$0

# He Said Chair

MGH00.

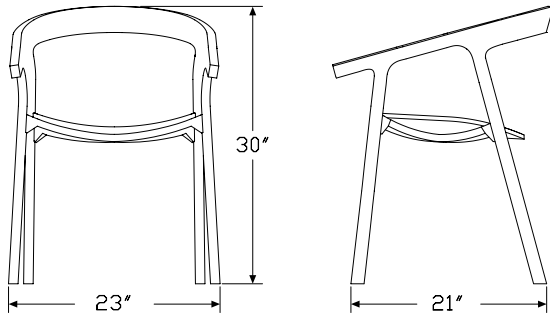


### Product Information

#### Description

This solid wood chair with armrests is available in a solid ash frame. Chairs can stack up to 2 high.

#### Dimensions



### Specification Information

#### Step 1.

**MGH00.**

#### Step 2. Upholstery

**N** no upholstery

**U** upholstered seat

#### Prices for Steps 1-2.

<b>MGH00.N</b>	\$1725
<b>U</b>	\$2474

#### Step 3. Frame Finish

<b>YQB</b> black anilin ash <input type="checkbox"/>	+\$0
<b>YRG</b> white anilin ash <input type="checkbox"/>	+\$0
<b>ZQ5</b> anilin ash neon blue <input type="checkbox"/>	+\$0
<b>YQC</b> natural ash <input type="checkbox"/>	+\$53

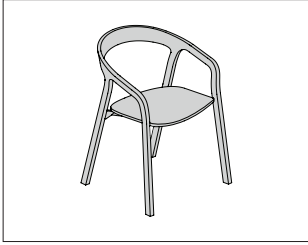
#### Step 4. Fabric

##### For upholstered seat (U)

<b>YDG01</b> topia ebony <input type="checkbox"/>	+\$0
<b>YDG02</b> topia anthrazit <input type="checkbox"/>	+\$0
<b>YDG03</b> topia chrome <input type="checkbox"/>	+\$0
<b>YDG04</b> topia moon <input type="checkbox"/>	+\$0
<b>YDG05</b> topia snow <input type="checkbox"/>	+\$0
<b>YDG06</b> topia orion <input type="checkbox"/>	+\$0
<b>YDG07</b> topia azur <input type="checkbox"/>	+\$0
<b>YDG08</b> topia seashell <input type="checkbox"/>	+\$0
<b>YDG09</b> topia litchi <input type="checkbox"/>	+\$0
<b>YDG10</b> topia heart <input type="checkbox"/>	+\$0

# She Said Chair

MGH01.



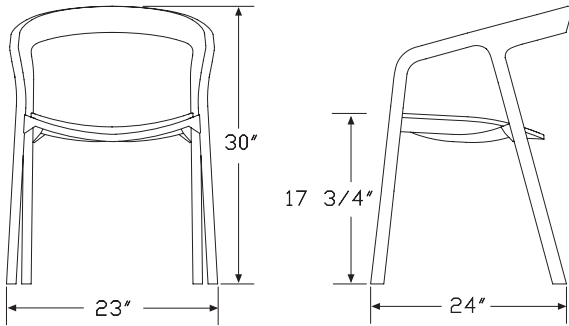
Herman Miller Collection—Side & Stacking Chairs

## Product Information

### Description

This solid wood chair with armrests is available in a solid ash frame. Chairs can stack up to 2 high.

### Dimensions



## Specification Information

### Step 1.

**MGH01.**

### Step 2. Upholstery

**N** no upholstery

**U** upholstered seat

### Prices for Steps 1-2.

<b>MGH01.N</b>	\$1725
<b>U</b>	\$2474

### Step 3. Frame Finish

<b>YQB</b> black anilin ash <input type="checkbox"/>	+\$0
<b>YRG</b> white anilin ash <input type="checkbox"/>	+\$0
<b>ZQ5</b> anilin ash neon blue <input type="checkbox"/>	+\$0
<b>YQC</b> natural ash <input type="checkbox"/>	+\$53

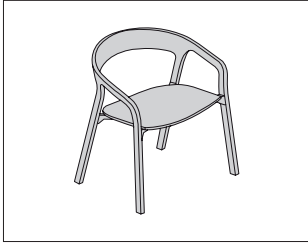
### Step 4. Fabric

*For upholstered seat (U)*

<b>YDG01</b> topia ebony <input type="checkbox"/>	+\$0
<b>YDG02</b> topia anthrazit <input type="checkbox"/>	+\$0
<b>YDG03</b> topia chrome <input type="checkbox"/>	+\$0
<b>YDG04</b> topia moon <input type="checkbox"/>	+\$0
<b>YDG05</b> topia snow <input type="checkbox"/>	+\$0
<b>YDG06</b> topia orion <input type="checkbox"/>	+\$0
<b>YDG07</b> topia azur <input type="checkbox"/>	+\$0
<b>YDG08</b> topia seashell <input type="checkbox"/>	+\$0
<b>YDG09</b> topia litchi <input type="checkbox"/>	+\$0
<b>YDG10</b> topia heart <input type="checkbox"/>	+\$0

She Said Lowide Chair

MGH02.

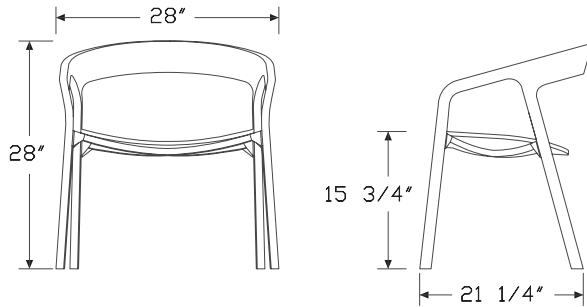


**Product Information**

**Description**

This solid wood chair with armrests is available in an ash frame. Chairs can stack up to 2 high.

**Dimensions**



**Specification Information**

**Step 1.**

**MGH02.**

**Step 2. Upholstery**

**N** no upholstery

**U** upholstered seat

**Prices for Steps 1-2.**

<b>MGH02.N</b>	\$2195
<b>U</b>	\$3049

**Step 3. Frame Finish**

<b>YQB</b> black anilin ash <input type="checkbox"/>	+\$0
<b>YRG</b> white anilin ash <input type="checkbox"/>	+\$0
<b>ZQ5</b> anilin ash neon blue <input type="checkbox"/>	+\$0
<b>YQC</b> natural ash <input type="checkbox"/>	+\$60

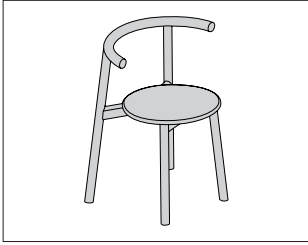
**Step 4. Fabric**

*For upholstered seat (U)*

<b>YDG01</b> topia ebony <input type="checkbox"/>	+\$0
<b>YDG02</b> topia anthrazit <input type="checkbox"/>	+\$0
<b>YDG03</b> topia chrome <input type="checkbox"/>	+\$0
<b>YDG04</b> topia moon <input type="checkbox"/>	+\$0
<b>YDG05</b> topia snow <input type="checkbox"/>	+\$0
<b>YDG06</b> topia orion <input type="checkbox"/>	+\$0
<b>YDG07</b> topia azur <input type="checkbox"/>	+\$0
<b>YDG08</b> topia seashell <input type="checkbox"/>	+\$0
<b>YDG09</b> topia litchi <input type="checkbox"/>	+\$0
<b>YDG10</b> topia heart <input type="checkbox"/>	+\$0

Solo Chair

MGZ00.



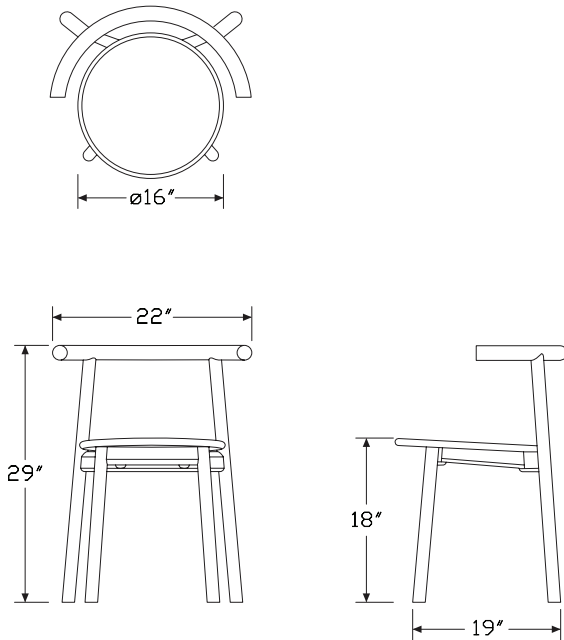
Herman Miller Collection—Side & Stacking Chairs

**Product Information**

**Description**

This solid wood chair is available in an ash or oak frame.

**Dimensions**



**Specification Information**

**Step 1.**

**MGZ00.**  A

**Step 2. Upholstery**

**N** no upholstery  A

**S** upholstered seat  A

**Prices for Steps 1-2.**

<b>MGZ00.N</b>	\$783
<b>S</b>	\$995

**Step 3. Frame Finish**

<b>ZQ1</b> dark red anilin ash <input type="checkbox"/> A	+\$0
<b>ZQ2</b> natural ash <input type="checkbox"/> A	+\$0
<b>ZQ3</b> anilin ash blue/black <input type="checkbox"/> A	+\$0
<b>ZQ4</b> anilin ash white <input type="checkbox"/> A	+\$0
<b>ZQ5</b> anilin ash neon blue <input type="checkbox"/> A	+\$0
<b>ZQ6</b> anilin ash turquoise <input type="checkbox"/> A	+\$0
<b>ZQ7</b> natural oak waxed <input type="checkbox"/> A	+\$150

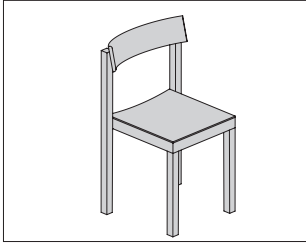
**Step 4. Seat Fabric**

*For upholstered seat (S)*

<b>YDD13</b> white <input type="checkbox"/> A	+\$0
<b>YDD14</b> red <input type="checkbox"/> A	+\$0
<b>YDD16</b> dark grey <input type="checkbox"/> A	+\$0
<b>YDD17</b> black blue <input type="checkbox"/> A	+\$0
<b>YDD19</b> green <input type="checkbox"/> A	+\$0

# Primo Chair

MC14C.

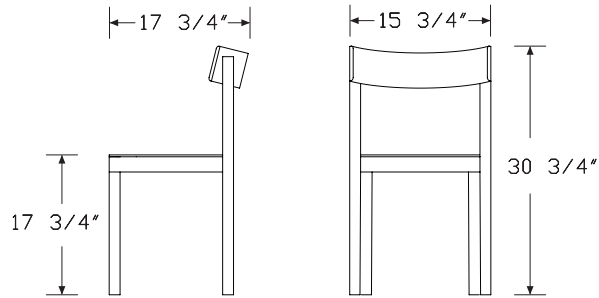


### Product Information

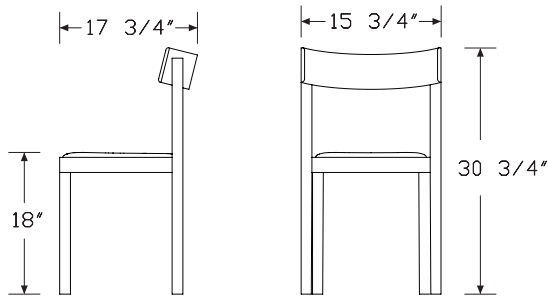
#### Description

This solid wood chair has a beech or oak frame. Oak has the option of an upholstered seat. Stacks up to 3 high.

#### Dimensions



Non-upholstered Seat



Upholstered Seat

### Specification Information

#### Step 1.

**MC14C.**

#### Step 2. Upholstery

- N** no upholstery
- U** upholstered seat

#### Prices for Steps 1-2.

<b>MC14C.N</b>	\$630
<b>U</b>	\$1100

#### Step 3. Frame Finish

##### For no upholstery (N)

<b>YNC</b> natural beech	+\$0
<b>YRB</b> black beech	+\$0
<b>YGP</b> gold beech	+\$310

##### For upholstered seat (U)

<b>YFC</b> natural oak	+\$200
------------------------	--------

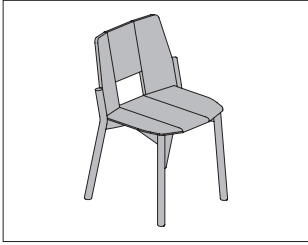
#### Step 4. Fabric

##### For upholstered seat (U)

<b>SL508</b> sweet leather 508	+\$0
<b>SL510</b> sweet leather 510	+\$0
<b>SL512</b> sweet leather 512	+\$0
<b>SLN41</b> sweet leather N41	+\$0
<b>YLJ</b> dani acquario cuoio leather	+\$180
<b>YLK</b> dani acquario marrone 6030 leather	+\$180
<b>YLN</b> dani acquario t. moro leather	+\$180
<b>YLP</b> dani acquario anthracite leather	+\$180

# Tronco Stacking Chair

MGK01.



Herman Miller Collection—Side & Stacking Chairs

## Product Information

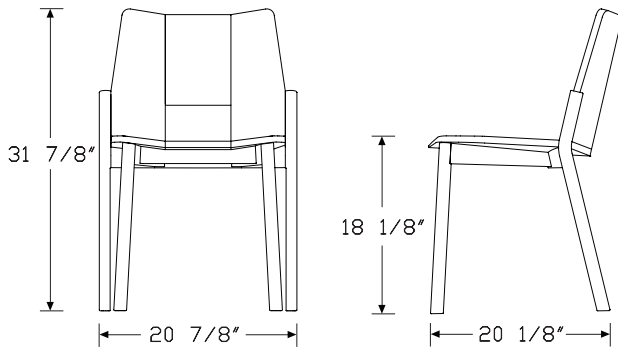
### Description

This chair is available in Mattiazzi's standard ash as well as olive ash, in a variety of finishes. Chairs can stack up to 5 high or up to 10 high on the appropriate dolly.

### Notes

Order Tronco dolly (MGK99.) separately.

### Dimensions



## Specification Information

### Step 1.

**MGK01.**  A \$899

### Step 2. Frame

**OLA** olive ash  A +\$0

**YSA** ash  A +\$0

### Step 3. Finish

#### For olive ash (OLA)

**YNL** natural  A +\$0

#### For ash (YSA)

**CNS** chestnut stained  A +\$0

**WNS** walnut stained  A +\$0

**YBC** black +\$0

**YBP** white  A +\$0

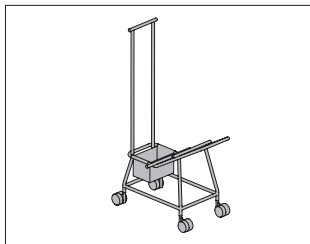
**YNL** natural  A +\$0

**YRL** red  A +\$0



Tronco Dolly

MGK99.

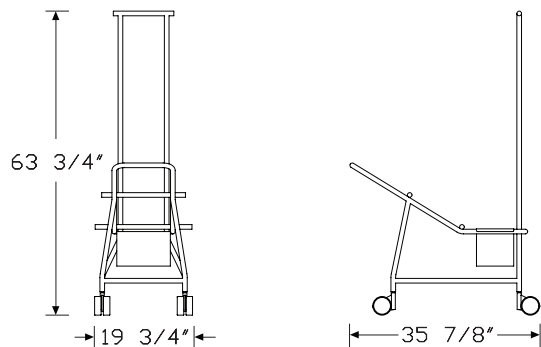


**Product Information**

Description

This dolly holds up to 10 Tronco chairs. Powder coated finish.

Dimensions



**Specification Information**

Step 1.

**MGK99.**  A \$1850

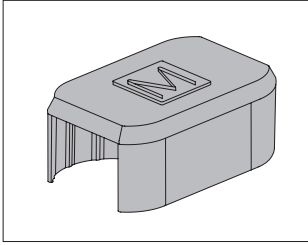
Step 2. Finish

**YBC** black  A +\$0

**YBP** white  A +\$0

Tronco Connector

MGK91.

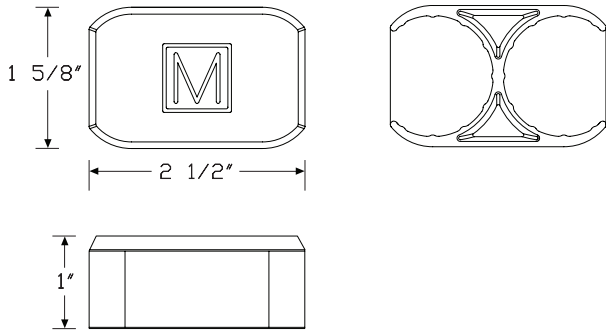


Herman Miller Collection—Side & Stacking Chairs

**Product Information**

**Description**  
This plastic connector joins 2 Tronco chairs and comes in a matte finish.

**Dimensions**



**Specification Information**

**Step 1.**  
**MGK91.**  A \$49

**Step 2. Finish**

<b>YBC</b>	black	<input type="checkbox"/> A	+\$0
<b>YRL</b>	red	<input type="checkbox"/> A	+\$0

# Uncino Chair, Version A

MC9A.

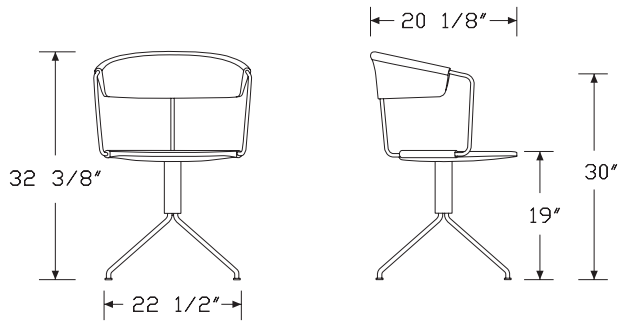


### Product Information

#### Description

This wood chair is available with an ash back and seat.

#### Dimensions



### Specification Information

#### Step 1.

**MC9A.**  A \$2650

#### Step 2. Finish

**YQB** black anilin ash  A +\$0

**YQC** natural ash  A +\$0

Uncino Chair, Version B

MC9B.



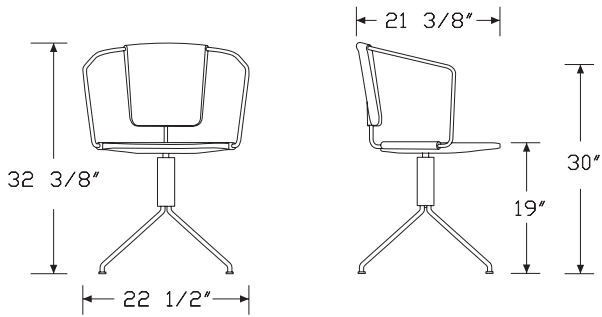
Herman Miller Collection—Side & Stacking Chairs

**Product Information**

**Description**

This wood chair is available with an ash or oak back and seat.

**Dimensions**



**Specification Information**

**Step 1.**

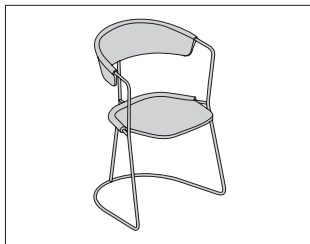
**MC9B.** [A] \$2340

**Step 2. Finish**

- YQB** black anilin ash [A] +\$0
- YQC** natural ash [A] +\$0
- YFC** natural oak [A] +\$200

Uncino Chair, Version C

MC9C.

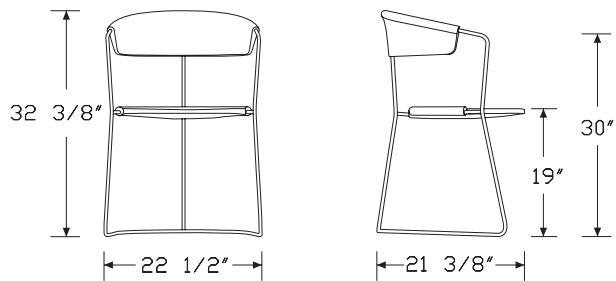


**Product Information**

Description

This wood chair is available with an ash back and seat.

Dimensions



**Specification Information**

Step 1.

**MC9C.** A \$2090

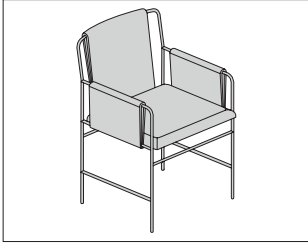
Step 2. Finish

**YQB** black anilin ash A +\$0

**YQC** natural ash A +\$0

# Envelope® Chair

SBEV-



Herman Miller Collection—Side & Stacking Chairs

## Product Information

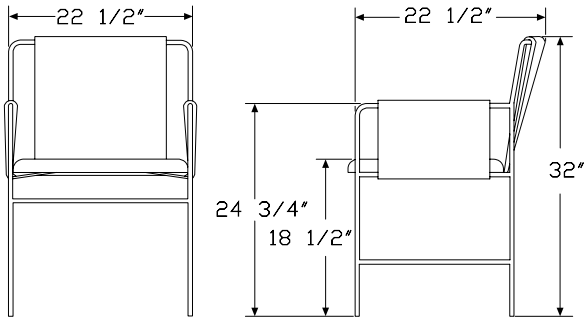
### Description

This chair has a welded tubular steel frame. The seat is foam and Dacron® over plywood. The back consists of FR foam.

### Notes

Customers Own Material (COM) requires 2½ yards. Customers Own Leather (COL) requires 40 square feet. See Order Information in Appendices.

### Dimensions



## Specification Information

### Step 1.

**SBEV-1020** A \$1345

### Step 2. Upholstery

Price Category (Geiger) 1	+\$98
Price Category 1	+\$0
Price Category (Geiger) 2	+\$0
Price Category 2	+\$118
Price Category (Geiger) 3	+\$148
Price Category 3	+\$148
Price Category (Geiger) 4	+\$180
Price Category (Geiger) 5	+\$263
Price Category 5	+\$263
Price Category (Geiger) 6	+\$345
Price Category (Geiger) 7	+\$428
Price Category (Geiger) 8	+\$655
Price Category (Geiger) 9	+\$813
Price Category 9	+\$813
Price Category (Geiger) 10	+\$935
Price Category (Geiger) 11	+\$1048
Price Category (Geiger) A	+\$124
Price Category (Geiger) B	+\$135
Price Category (Geiger) C	+\$146
Price Category (Geiger) D	+\$169
Price Category (Geiger) E	+\$191
Price Category (Geiger) F	+\$214
Price Category (Geiger) G	+\$236
Price Category (Geiger) H	+\$259
Price Category (Geiger) I	+\$523
Price Category (Geiger) J	+\$293
Price Category (Geiger) K	+\$326
Price Category (Geiger) L	+\$360
Price Category (Geiger) M	+\$405
Price Category (Geiger) N	+\$450
Price Category (Geiger) O	+\$1063
Price Category (Geiger) P	+\$495
Price Category (Geiger) Q	+\$1000
Price Category (Geiger) R	+\$1850
Price Category (Geiger) S	+\$1988
Price Category (Geiger) T	+\$2125
Price Category (Geiger) U	+\$2263
Price Category (Geiger) V	+\$2400
Price Category (Geiger) COM <span style="border: 1px solid black; padding: 0 2px;">A</span>	+\$0
Price Category (Geiger) COL <span style="border: 1px solid black; padding: 0 2px;">A</span>	+\$180

# Envelope® Chair *continued*

---

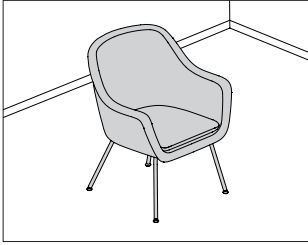
Step 3. Base Finish		
<b>CHR</b>	chrome <input type="checkbox"/>	+\$0
<b>SAC</b>	satin chrome <input type="checkbox"/>	+\$0

---

Step 4. Fire Retardancy		
<b>NOCAL</b>	not fire retardant <input type="checkbox"/>	+\$0
<b>133</b>	fire retardant <input type="checkbox"/>	+\$163

# Bumper Side Chair

SBRLN



HermanMiller Collection—Side & Stacking Chairs

## Product Information

### Description

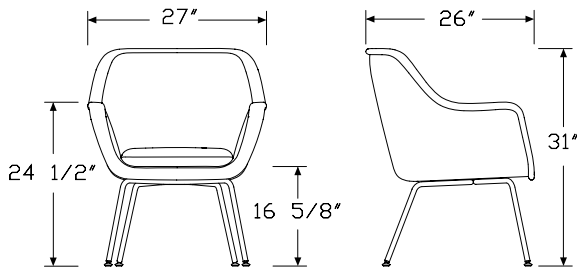
This side chair has upholstered inner and outer shells and arm cap, each made from one continuous piece of fabric or leather. It has an upholstered seat cushion. The frame is rigid molded urethane with foam inserts, and seat and back are FR foam over rigid inserts. The 4-leg base is plated steel, available in chrome.

### Notes

Customers Own Material (COM) requires 2½ yards for the shell inside and outside, an additional 1¾ yards for the arm cap and cushion, or 4¼ yards when specify entire chair in the same fabric. See Order Information in Appendices.

Customers Own Leather (COL) requires 45 square feet for the shell inside and outside, an additional 31½ square feet for the arm cap and cushion, or 76½ yards when specify entire chair in the same leather. See Order Information in Appendices.

## Dimensions



## Specification Information

### Step 1.

**SBRLN** A \$1795

### Step 2. Shell Upholstery

Price Category 1	+\$0
Price Category (Geiger) 2	+\$0
Price Category 2	+\$118
Price Category (Geiger) 3	+\$148
Price Category 3	+\$148
Price Category (Geiger) 4	+\$180
Price Category 4	+\$180
Price Category (Geiger) 5	+\$263
Price Category 5	+\$263
Price Category (Geiger) 6	+\$345
Price Category (Geiger) 7	+\$428
Price Category (Geiger) 8	+\$655
Price Category (Geiger) 9	+\$813
Price Category 9	+\$813
Price Category (Geiger) 10	+\$935
Price Category (Geiger) 11	+\$1048
Price Category 11	+\$1048
Price Category (Geiger) 14	+\$0
Price Category (Geiger) C	+\$133
Price Category (Geiger) D	+\$175
Price Category (Geiger) E	+\$213
Price Category (Geiger) F	+\$255
Price Category (Geiger) G	+\$348
Price Category (Geiger) H	+\$433
Price Category (Geiger) I	+\$523
Price Category (Geiger) J	+\$613
Price Category (Geiger) K	+\$703
Price Category (Geiger) L	+\$793
Price Category (Geiger) M	+\$883
Price Category (Geiger) O	+\$1063
Price Category (Geiger) P	+\$1150
Price Category (Geiger) Q	+\$1328
Price Category (Geiger) R	+\$1850
Price Category (Geiger) S	+\$1988
Price Category (Geiger) X	+\$2675
Price Category (Geiger) Y	+\$2813
Price Category (Geiger) COL <span style="border: 1px solid black; padding: 0 2px;">A</span>	+\$135
Price Category (Geiger) COM <span style="border: 1px solid black; padding: 0 2px;">A</span>	+\$0

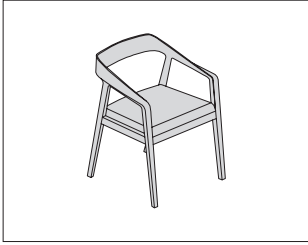


## Bumper Side Chair *continued*

Step 3. Arm Cap and Cushion Upholstery	
Price Category 1	+\$0
Price Category (Geiger) 2	+\$0
Price Category 2	+\$82
Price Category (Geiger) 3	+\$103
Price Category 3	+\$0
Price Category (Geiger) 4	+\$126
Price Category 4	+\$126
Price Category (Geiger) 5	+\$184
Price Category 5	+\$184
Price Category (Geiger) 6	+\$242
Price Category (Geiger) 7	+\$299
Price Category (Geiger) 8	+\$459
Price Category (Geiger) 9	+\$569
Price Category 9	+\$569
Price Category (Geiger) 10	+\$655
Price Category (Geiger) 11	+\$733
Price Category 11	+\$733
Price Category (Geiger) 14	+\$0
Price Category (Geiger) C	+\$93
Price Category (Geiger) D	+\$123
Price Category (Geiger) E	+\$149
Price Category (Geiger) F	+\$179
Price Category (Geiger) G	+\$243
Price Category (Geiger) H	+\$303
Price Category (Geiger) I	+\$366
Price Category (Geiger) J	+\$429
Price Category (Geiger) K	+\$492
Price Category (Geiger) L	+\$555
Price Category (Geiger) M	+\$618
Price Category (Geiger) O	+\$744
Price Category (Geiger) P	+\$805
Price Category (Geiger) Q	+\$929
Price Category (Geiger) R	+\$1295
Price Category (Geiger) S	+\$1391
Price Category (Geiger) X	+\$1873
Price Category (Geiger) Y	+\$1969
Price Category (Geiger) COM <input type="checkbox"/>	+\$0
Price Category (Geiger) COL <input type="checkbox"/>	+\$306
Step 4. Base Finish	
<b>SAC</b> satin chrome <input type="checkbox"/>	+\$0
Step 5. Fire Retardancy	
<b>NOCAL</b> not fire retardant <input type="checkbox"/>	+\$0
<b>133</b> fire retardant <input type="checkbox"/>	+\$276

# Full Twist™ Guest Chair

SFT1A  
SFT1M  
SFT1N  
SFT1W



Herman Miller Collection—Side & Stacking Chairs

## Product Information

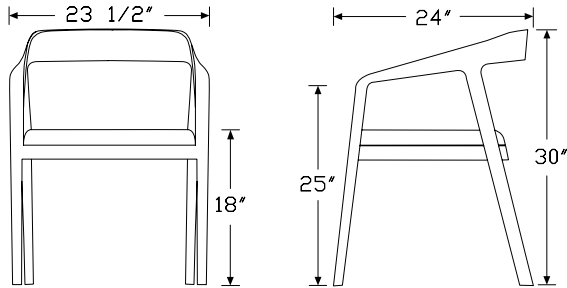
### Description

This chair has an upholstered seat and a walnut or maple frame.

### Notes

COM/COL requires  $\frac{3}{4}$  yard/13 $\frac{1}{2}$  square feet.

### Dimensions



## Specification Information

### Step 1.

**SFT1**  A

### Step 2. Frame Finish

**M** maple  A

**W** walnut  A

**N** sundance walnut with clear finish  A

**A** ash  A

### Prices for Steps 1-2.

<b>SFT1M</b>	\$1585
<b>SFT1W</b>	\$2055
<b>SFT1N</b>	\$2240
<b>SFT1A</b>	\$1495

### Step 3. Upholstery

Price Category (Geiger) 1	+\$29
Price Category 1	+\$0
Price Category (Geiger) 2	+\$0
Price Category 2	+\$35
Price Category (Geiger) 3	+\$44
Price Category 3	+\$44
Price Category (Geiger) 4	+\$54
Price Category 4	+\$54
Price Category (Geiger) 5	+\$79
Price Category 5	+\$79
Price Category (Geiger) 6	+\$104
Price Category (Geiger) 7	+\$128
Price Category (Geiger) 8	+\$197
Price Category (Geiger) 9	+\$244
Price Category 9	+\$244
Price Category (Geiger) 10	+\$281
Price Category (Geiger) 11	+\$314
Price Category (Geiger) 14	+\$412
Price Category (Geiger) A	+\$41
Price Category (Geiger) B	+\$45
Price Category (Geiger) C	+\$49
Price Category (Geiger) D	+\$56
Price Category (Geiger) E	+\$64
Price Category (Geiger) F	+\$71
Price Category (Geiger) G	+\$79
Price Category (Geiger) H	+\$86
Price Category (Geiger) I	+\$157
Price Category (Geiger) J	+\$98
Price Category (Geiger) K	+\$109
Price Category (Geiger) L	+\$120

Full Twist™ Guest Chair *continued*

Price Category (Geiger) M	+\$135
Price Category (Geiger) N	+\$150
Price Category (Geiger) O	+\$319
Price Category (Geiger) P	+\$165
Price Category (Geiger) Q	+\$450
Price Category (Geiger) R	+\$555
Price Category (Geiger) S	+\$596
Price Category (Geiger) T	+\$638
Price Category (Geiger) U	+\$679
Price Category (Geiger) V	+\$720
Price Category (Geiger) X	+\$803
Price Category (Geiger) Y	+\$844
Price Category COM (Geiger) <input type="checkbox"/> A	+\$0
Price Category COL (Geiger) <input type="checkbox"/> A	+\$54

Step 4. Wood Finish

*For maple (M)*

<b>967</b> smoked paldao, low sheen <input type="checkbox"/> A	+\$0
<b>969</b> warm paldao, low sheen <input type="checkbox"/> A	+\$0

*For maple (M)*

<b>911</b> champagne maple (natural) <input type="checkbox"/> A	+\$0
<b>G2U</b> light brown walnut, low sheen <input type="checkbox"/> A	+\$0
<b>G40</b> dark brown walnut, low sheen <input type="checkbox"/> A	+\$0
<b>940</b> sundance cherry on maple <input type="checkbox"/> A	+\$0
<b>943</b> caramel cherry <input type="checkbox"/> A	+\$0
<b>946</b> cocoa cherry <input type="checkbox"/> A	+\$0
<b>956</b> cocoa sapele <input type="checkbox"/> A	+\$0
<b>962</b> toasted walnut, low sheen <input type="checkbox"/> A	+\$0
<b>963</b> charred walnut, low sheen <input type="checkbox"/> A	+\$0
<b>964</b> bronzed walnut, low sheen <input type="checkbox"/> A	+\$0
<b>965</b> smoked walnut, low sheen <input type="checkbox"/> A	+\$0
<b>966</b> coffee walnut, low sheen <input type="checkbox"/> A	+\$0
<b>98R</b> recograin rosewood <input type="checkbox"/> A	+\$0
<b>99R</b> recograin rosewood <input type="checkbox"/> A	+\$0
<b>99T</b> recograin teak <input type="checkbox"/> A	+\$0
<b>9A1</b> white ash, quarter cut, low sheen <input type="checkbox"/> A	+\$0
<b>9K1</b> rift oak, rift cut, low sheen <input type="checkbox"/> A	+\$0
<b>9K6</b> burnt oak, rift cut, low sheen <input type="checkbox"/> A	+\$0
<b>ED</b> aged cherry <input type="checkbox"/> A	+\$0

*For maple (M)*

<b>662</b> toasted walnut, matte sheen <input type="checkbox"/> A	+\$0
<b>663</b> charred walnut, matte sheen <input type="checkbox"/> A	+\$0
<b>664</b> bronzed walnut, matte sheen <input type="checkbox"/> A	+\$0
<b>665</b> smoked walnut, matte sheen <input type="checkbox"/> A	+\$0
<b>666</b> coffee walnut, matte sheen <input type="checkbox"/> A	+\$0
<b>667</b> smoked paldao, quarter cut, matte sheen <input type="checkbox"/> A	+\$0
<b>669</b> warm paldao, quarter cut, matte sheen <input type="checkbox"/> A	+\$0
<b>68R</b> recograin rosewood <input type="checkbox"/> A	+\$0
<b>69R</b> recograin rosewood <input type="checkbox"/> A	+\$0
<b>69T</b> recograin teak <input type="checkbox"/> A	+\$0
<b>6A1</b> white ash <input type="checkbox"/> A	+\$0
<b>6K1</b> rift oak <input type="checkbox"/> A	+\$0
<b>6K6</b> burnt oak <input type="checkbox"/> A	+\$0
<b>ET</b> clear on ash <input type="checkbox"/> A	+\$0
<b>EU</b> oak on ash <input type="checkbox"/> A	+\$0
<b>EV</b> walnut on ash <input type="checkbox"/> A	+\$0
<b>GOU</b> natural walnut, flat cut, matte sheen <input type="checkbox"/> A	+\$0

*For maple (M)*

<b>66G</b> recograin wenge <input type="checkbox"/> A	+\$0
<b>69G</b> recograin wenge <input type="checkbox"/> A	+\$0

*For maple (M)*

<b>96G</b> wenge recograin, quarter cut, low sheen <input type="checkbox"/> A	+\$0
<b>99G</b> recograin wenge, quarter cut, low sheen <input type="checkbox"/> A	+\$0

*For ash (A)*

<b>967</b> smoked paldao, low sheen <input type="checkbox"/> A	+\$0
<b>969</b> warm paldao, low sheen <input type="checkbox"/> A	+\$0

Full Twist™ Guest Chair *continued*

<i>For ash (A)</i>		
<b>940</b>	sundance cherry on maple <span style="border: 1px solid black; padding: 0 2px;">A</span>	+\$0
<b>943</b>	caramel cherry <span style="border: 1px solid black; padding: 0 2px;">A</span>	+\$0
<b>946</b>	cocoa cherry <span style="border: 1px solid black; padding: 0 2px;">A</span>	+\$0
<b>956</b>	cocoa sapele <span style="border: 1px solid black; padding: 0 2px;">A</span>	+\$0
<b>962</b>	toasted walnut, low sheen <span style="border: 1px solid black; padding: 0 2px;">A</span>	+\$0
<b>963</b>	charred walnut, low sheen <span style="border: 1px solid black; padding: 0 2px;">A</span>	+\$0
<b>964</b>	bronzed walnut, low sheen <span style="border: 1px solid black; padding: 0 2px;">A</span>	+\$0
<b>965</b>	smoked walnut, low sheen <span style="border: 1px solid black; padding: 0 2px;">A</span>	+\$0
<b>966</b>	coffee walnut, low sheen <span style="border: 1px solid black; padding: 0 2px;">A</span>	+\$0
<b>977</b>	chocolate ash, low sheen <span style="border: 1px solid black; padding: 0 2px;">A</span>	+\$0
<b>98R</b>	recograin rosewood <span style="border: 1px solid black; padding: 0 2px;">A</span>	+\$0
<b>991</b>	champagne ash <span style="border: 1px solid black; padding: 0 2px;">A</span>	+\$0
<b>998</b>	ebony ash <span style="border: 1px solid black; padding: 0 2px;">A</span>	+\$0
<b>99A</b>	recograin frosty ash <span style="border: 1px solid black; padding: 0 2px;">A</span>	+\$0
<b>99R</b>	recograin rosewood <span style="border: 1px solid black; padding: 0 2px;">A</span>	+\$0
<b>99T</b>	recograin teak <span style="border: 1px solid black; padding: 0 2px;">A</span>	+\$0
<b>9A1</b>	white ash, quarter cut, low sheen <span style="border: 1px solid black; padding: 0 2px;">A</span>	+\$0
<b>9K1</b>	rift oak, rift cut, low sheen <span style="border: 1px solid black; padding: 0 2px;">A</span>	+\$0
<b>9K6</b>	burnt oak, rift cut, low sheen <span style="border: 1px solid black; padding: 0 2px;">A</span>	+\$0
<b>ED</b>	aged cherry <span style="border: 1px solid black; padding: 0 2px;">A</span>	+\$0
<b>EK</b>	medium red walnut <span style="border: 1px solid black; padding: 0 2px;">A</span>	+\$0
<b>G2U</b>	light brown walnut, low sheen <span style="border: 1px solid black; padding: 0 2px;">A</span>	+\$0
<b>G40</b>	dark brown walnut, low sheen <span style="border: 1px solid black; padding: 0 2px;">A</span>	+\$0
<b>UX</b>	walnut on cherry <span style="border: 1px solid black; padding: 0 2px;">A</span>	+\$0

<i>For ash (A)</i>		
<b>662</b>	toasted walnut, matte sheen <span style="border: 1px solid black; padding: 0 2px;">A</span>	+\$0
<b>663</b>	charred walnut, matte sheen <span style="border: 1px solid black; padding: 0 2px;">A</span>	+\$0
<b>664</b>	bronzed walnut, matte sheen <span style="border: 1px solid black; padding: 0 2px;">A</span>	+\$0
<b>665</b>	smoked walnut, matte sheen <span style="border: 1px solid black; padding: 0 2px;">A</span>	+\$0
<b>666</b>	coffee walnut, matte sheen <span style="border: 1px solid black; padding: 0 2px;">A</span>	+\$0
<b>667</b>	smoked paldao, quarter cut, matte sheen <span style="border: 1px solid black; padding: 0 2px;">A</span>	+\$0
<b>669</b>	warm paldao, quarter cut, matte sheen <span style="border: 1px solid black; padding: 0 2px;">A</span>	+\$0
<b>66A</b>	recograin frosty ash <span style="border: 1px solid black; padding: 0 2px;">A</span>	+\$0
<b>677</b>	chocolate ash, matte sheen <span style="border: 1px solid black; padding: 0 2px;">A</span>	+\$0
<b>68R</b>	recograin rosewood <span style="border: 1px solid black; padding: 0 2px;">A</span>	+\$0
<b>69A</b>	recograin frosty ash <span style="border: 1px solid black; padding: 0 2px;">A</span>	+\$0
<b>69R</b>	recograin rosewood <span style="border: 1px solid black; padding: 0 2px;">A</span>	+\$0
<b>69T</b>	recograin teak <span style="border: 1px solid black; padding: 0 2px;">A</span>	+\$0
<b>6A1</b>	white ash <span style="border: 1px solid black; padding: 0 2px;">A</span>	+\$0
<b>6K1</b>	rift oak <span style="border: 1px solid black; padding: 0 2px;">A</span>	+\$0
<b>6K6</b>	burnt oak <span style="border: 1px solid black; padding: 0 2px;">A</span>	+\$0
<b>ET</b>	clear on ash <span style="border: 1px solid black; padding: 0 2px;">A</span>	+\$0
<b>EU</b>	oak on ash <span style="border: 1px solid black; padding: 0 2px;">A</span>	+\$0
<b>EV</b>	walnut on ash <span style="border: 1px solid black; padding: 0 2px;">A</span>	+\$0
<b>GOU</b>	natural walnut, flat cut, matte sheen <span style="border: 1px solid black; padding: 0 2px;">A</span>	+\$0

<i>For ash (A)</i>		
<b>66G</b>	wenge recograin, quarter cut, matte sheen <span style="border: 1px solid black; padding: 0 2px;">A</span>	+\$0
<b>68W</b>	recograin walnut, flat cut, matte sheen <span style="border: 1px solid black; padding: 0 2px;">A</span>	+\$0
<b>69G</b>	recograin wenge <span style="border: 1px solid black; padding: 0 2px;">A</span>	+\$0
<b>69W</b>	recograin walnut, quarter cut, matte sheen <span style="border: 1px solid black; padding: 0 2px;">A</span>	+\$0

<i>For ash (A)</i>		
<b>96G</b>	wenge recograin, quarter cut, low sheen <span style="border: 1px solid black; padding: 0 2px;">A</span>	+\$0
<b>98W</b>	recograin walnut, flat cut, low sheen <span style="border: 1px solid black; padding: 0 2px;">A</span>	+\$0
<b>99G</b>	recograin wenge, quarter cut, low sheen <span style="border: 1px solid black; padding: 0 2px;">A</span>	+\$0
<b>99W</b>	recograin walnut, quarter cut, low sheen <span style="border: 1px solid black; padding: 0 2px;">A</span>	+\$0

<i>For walnut (W)</i>		
<b>967</b>	smoked paldao, low sheen <span style="border: 1px solid black; padding: 0 2px;">A</span>	+\$0
<b>969</b>	warm paldao, low sheen <span style="border: 1px solid black; padding: 0 2px;">A</span>	+\$0

<i>For walnut (W)</i>		
<b>962</b>	toasted walnut, low sheen <span style="border: 1px solid black; padding: 0 2px;">A</span>	+\$0
<b>963</b>	charred walnut, low sheen <span style="border: 1px solid black; padding: 0 2px;">A</span>	+\$0
<b>964</b>	bronzed walnut, low sheen <span style="border: 1px solid black; padding: 0 2px;">A</span>	+\$0
<b>965</b>	smoked walnut, low sheen <span style="border: 1px solid black; padding: 0 2px;">A</span>	+\$0
<b>966</b>	coffee walnut, low sheen <span style="border: 1px solid black; padding: 0 2px;">A</span>	+\$0
<b>98R</b>	recograin rosewood <span style="border: 1px solid black; padding: 0 2px;">A</span>	+\$0
<b>99R</b>	recograin rosewood <span style="border: 1px solid black; padding: 0 2px;">A</span>	+\$0
<b>EK</b>	medium red walnut <span style="border: 1px solid black; padding: 0 2px;">A</span>	+\$0
<b>G2U</b>	light brown walnut, low sheen <span style="border: 1px solid black; padding: 0 2px;">A</span>	+\$0
<b>G40</b>	dark brown walnut, low sheen <span style="border: 1px solid black; padding: 0 2px;">A</span>	+\$0

<i>For walnut (W)</i>		
<b>662</b>	toasted walnut, matte sheen <span style="border: 1px solid black; padding: 0 2px;">A</span>	+\$0
<b>663</b>	charred walnut, matte sheen <span style="border: 1px solid black; padding: 0 2px;">A</span>	+\$0
<b>664</b>	bronzed walnut, matte sheen <span style="border: 1px solid black; padding: 0 2px;">A</span>	+\$0
<b>665</b>	smoked walnut, matte sheen <span style="border: 1px solid black; padding: 0 2px;">A</span>	+\$0
<b>666</b>	coffee walnut, matte sheen <span style="border: 1px solid black; padding: 0 2px;">A</span>	+\$0
<b>667</b>	smoked paldao, quarter cut, matte sheen <span style="border: 1px solid black; padding: 0 2px;">A</span>	+\$0
<b>669</b>	warm paldao, quarter cut, matte sheen <span style="border: 1px solid black; padding: 0 2px;">A</span>	+\$0
<b>68R</b>	recograin rosewood <span style="border: 1px solid black; padding: 0 2px;">A</span>	+\$0
<b>69R</b>	recograin rosewood <span style="border: 1px solid black; padding: 0 2px;">A</span>	+\$0
<b>GOU</b>	natural walnut, flat cut, matte sheen <span style="border: 1px solid black; padding: 0 2px;">A</span>	+\$0

<i>For walnut (W)</i>		
<b>66G</b>	recograin wenge <span style="border: 1px solid black; padding: 0 2px;">A</span>	+\$0
<b>69G</b>	recograin wenge <span style="border: 1px solid black; padding: 0 2px;">A</span>	+\$0

<i>For walnut (W)</i>		
<b>96G</b>	wenge recograin, quarter cut, low sheen <span style="border: 1px solid black; padding: 0 2px;">A</span>	+\$0
<b>99G</b>	recograin wenge, quarter cut, low sheen <span style="border: 1px solid black; padding: 0 2px;">A</span>	+\$0

Full Twist™ Guest Chair *continued*

---

*For sundance walnut with clear finish (N)*

**972** sundance walnut  A +\$0

---

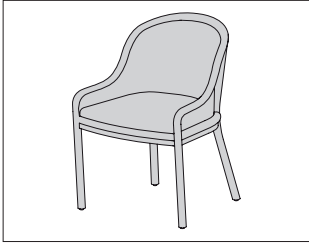
Step 5. Fire Retardancy

**NOCAL** not fire retardant  A +\$0

**133** fire retardant  A +\$49

# Landmark Low Arm Chair

SBLAC  
SBLAF



HermanMiller Collection—Side & Stacking Chairs

## Product Information

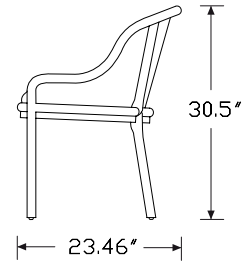
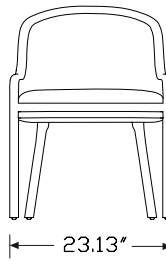
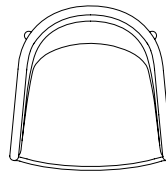
### Description

This low arm chair has a wood frame carved from solid hardwood. It has a French upholstered seat and back, or a cane seat and back with cushion.

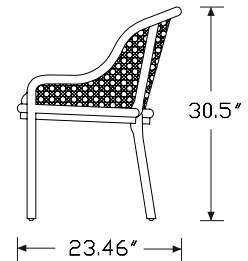
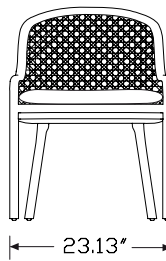
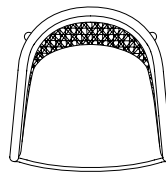
### Notes

Customers Own Material (COM) requires 2½ yards for the French upholstered seat and back, closed arm (F) and 1 yard for the cane seat and back with cushion (C). Customers Own Leather (COL) requires 45 square feet for the French upholstered seat and back (F) and 20 square feet for the cane seat and back with cushion (C). See Order Information in Appendices.

## Dimensions



French upholstered



Cane seat and back

Landmark Low Arm Chair *continued*

**Specification Information**

Step 1.

**SBLA** A

Step 2. Seat, Back and Arms

**C** cane seat and back with cushion A

**F** french upholstered seat and back, closed arm A

Prices for Steps 1-2.

**SBLAC** \$2620

**SBLAF** \$2620

Step 3. Wood Finish

Premium Veneer - Low Sheen

<b>932</b>	sundance anigre <span style="border: 1px solid black; padding: 0 2px;">A</span>	+\$0
<b>933</b>	caramel anigre <span style="border: 1px solid black; padding: 0 2px;">A</span>	+\$0
<b>934</b>	henna anigre <span style="border: 1px solid black; padding: 0 2px;">A</span>	+\$0
<b>940</b>	sundance cherry on maple <span style="border: 1px solid black; padding: 0 2px;">A</span>	+\$0
<b>943</b>	caramel cherry <span style="border: 1px solid black; padding: 0 2px;">A</span>	+\$0
<b>946</b>	cocoa cherry <span style="border: 1px solid black; padding: 0 2px;">A</span>	+\$0
<b>956</b>	cocoa sapele <span style="border: 1px solid black; padding: 0 2px;">A</span>	+\$0
<b>962</b>	toasted walnut, low sheen <span style="border: 1px solid black; padding: 0 2px;">A</span>	+\$0
<b>963</b>	charred walnut, low sheen <span style="border: 1px solid black; padding: 0 2px;">A</span>	+\$0
<b>964</b>	bronzed walnut, low sheen <span style="border: 1px solid black; padding: 0 2px;">A</span>	+\$0
<b>965</b>	smoked walnut, low sheen <span style="border: 1px solid black; padding: 0 2px;">A</span>	+\$0
<b>966</b>	coffee walnut, low sheen <span style="border: 1px solid black; padding: 0 2px;">A</span>	+\$0
<b>967</b>	smoked paldao, low sheen <span style="border: 1px solid black; padding: 0 2px;">A</span>	+\$0
<b>969</b>	warm paldao, low sheen <span style="border: 1px solid black; padding: 0 2px;">A</span>	+\$0
<b>977</b>	chocolate ash, low sheen <span style="border: 1px solid black; padding: 0 2px;">A</span>	+\$0
<b>98R</b>	recograin rosewood <span style="border: 1px solid black; padding: 0 2px;">A</span>	+\$0
<b>991</b>	champagne ash <span style="border: 1px solid black; padding: 0 2px;">A</span>	+\$0
<b>998</b>	ebony ash <span style="border: 1px solid black; padding: 0 2px;">A</span>	+\$0
<b>99A</b>	recograin frosty ash <span style="border: 1px solid black; padding: 0 2px;">A</span>	+\$0
<b>99R</b>	recograin rosewood <span style="border: 1px solid black; padding: 0 2px;">A</span>	+\$0
<b>99T</b>	recograin teak <span style="border: 1px solid black; padding: 0 2px;">A</span>	+\$0
<b>9A1</b>	white ash, quarter cut, low sheen <span style="border: 1px solid black; padding: 0 2px;">A</span>	+\$0
<b>9K1</b>	rift oak, rift cut, low sheen <span style="border: 1px solid black; padding: 0 2px;">A</span>	+\$0
<b>9K6</b>	burnt oak, rift cut, low sheen <span style="border: 1px solid black; padding: 0 2px;">A</span>	+\$0
<b>ED</b>	aged cherry <span style="border: 1px solid black; padding: 0 2px;">A</span>	+\$0
<b>EK</b>	medium red walnut <span style="border: 1px solid black; padding: 0 2px;">A</span>	+\$0
<b>G2U</b>	light brown walnut, low sheen <span style="border: 1px solid black; padding: 0 2px;">A</span>	+\$0
<b>G40</b>	dark brown walnut, low sheen <span style="border: 1px solid black; padding: 0 2px;">A</span>	+\$0
<b>UX</b>	walnut on cherry <span style="border: 1px solid black; padding: 0 2px;">A</span>	+\$0

Premium Veneer - Matte

<b>662</b>	toasted walnut, matte sheen <span style="border: 1px solid black; padding: 0 2px;">A</span>	+\$0
<b>663</b>	charred walnut, matte sheen <span style="border: 1px solid black; padding: 0 2px;">A</span>	+\$0
<b>664</b>	bronzed walnut, matte sheen <span style="border: 1px solid black; padding: 0 2px;">A</span>	+\$0
<b>665</b>	smoked walnut, matte sheen <span style="border: 1px solid black; padding: 0 2px;">A</span>	+\$0
<b>666</b>	coffee walnut, matte sheen <span style="border: 1px solid black; padding: 0 2px;">A</span>	+\$0
<b>667</b>	smoked paldao, quarter cut, matte sheen <span style="border: 1px solid black; padding: 0 2px;">A</span>	+\$0
<b>669</b>	warm paldao, quarter cut, matte sheen <span style="border: 1px solid black; padding: 0 2px;">A</span>	+\$0
<b>66A</b>	recograin frosty ash <span style="border: 1px solid black; padding: 0 2px;">A</span>	+\$0
<b>677</b>	chocolate ash, matte sheen <span style="border: 1px solid black; padding: 0 2px;">A</span>	+\$0
<b>68R</b>	recograin rosewood <span style="border: 1px solid black; padding: 0 2px;">A</span>	+\$0
<b>69A</b>	recograin frosty ash <span style="border: 1px solid black; padding: 0 2px;">A</span>	+\$0
<b>69R</b>	recograin rosewood <span style="border: 1px solid black; padding: 0 2px;">A</span>	+\$0
<b>69T</b>	recograin teak <span style="border: 1px solid black; padding: 0 2px;">A</span>	+\$0
<b>6A1</b>	white ash <span style="border: 1px solid black; padding: 0 2px;">A</span>	+\$0
<b>6K1</b>	rift oak <span style="border: 1px solid black; padding: 0 2px;">A</span>	+\$0
<b>6K6</b>	burnt oak <span style="border: 1px solid black; padding: 0 2px;">A</span>	+\$0
<b>ET</b>	clear on ash <span style="border: 1px solid black; padding: 0 2px;">A</span>	+\$0
<b>EU</b>	oak on ash <span style="border: 1px solid black; padding: 0 2px;">A</span>	+\$0
<b>EV</b>	walnut on ash <span style="border: 1px solid black; padding: 0 2px;">A</span>	+\$0
<b>GOU</b>	natural walnut, flat cut, matte sheen <span style="border: 1px solid black; padding: 0 2px;">A</span>	+\$0

RecoGrain Veneer

<b>66G</b>	recograin wenge <span style="border: 1px solid black; padding: 0 2px;">A</span>	+\$0
<b>68W</b>	recograin walnut, flat cut, matte sheen <span style="border: 1px solid black; padding: 0 2px;">A</span>	+\$0
<b>69G</b>	recograin wenge <span style="border: 1px solid black; padding: 0 2px;">A</span>	+\$0
<b>69W</b>	recograin walnut, quarter cut, matte sheen <span style="border: 1px solid black; padding: 0 2px;">A</span>	+\$0

Recon Veneer -

<b>96G</b>	wenge recograin, quarter cut, low sheen <span style="border: 1px solid black; padding: 0 2px;">A</span>	+\$0
<b>98W</b>	recograin walnut, flat cut, low sheen <span style="border: 1px solid black; padding: 0 2px;">A</span>	+\$0
<b>99G</b>	recograin wenge, quarter cut, low sheen <span style="border: 1px solid black; padding: 0 2px;">A</span>	+\$0
<b>99W</b>	recograin walnut, quarter cut, low sheen <span style="border: 1px solid black; padding: 0 2px;">A</span>	+\$0

Step 4. Upholstery

*For cane seat and back with cushion (C)*

Price Category 1	+\$0
Price Category (Geiger) 2	+\$47
Price Category 2	+\$47
Price Category (Geiger) 3	+\$59
Price Category 3	+\$59
Price Category (Geiger) 4	+\$72
Price Category 4	+\$72
Price Category (Geiger) 5	+\$105
Price Category 5	+\$105
Price Category (Geiger) 6	+\$138

Landmark Low Arm Chair *continued*

HermanMiller Collection—Side & Stacking Chairs

Price Category (Geiger) 7	+\$171
Price Category (Geiger) 8	+\$262
Price Category (Geiger) 9	+\$325
Price Category 9	+\$325
Price Category (Geiger) 10	+\$374
Price Category (Geiger) 11	+\$419
Price Category (Geiger) 14	+\$549
Price Category (Geiger) C	+\$53
Price Category (Geiger) D	+\$70
Price Category (Geiger) E	+\$85
Price Category (Geiger) F	+\$102
Price Category (Geiger) G	+\$139
Price Category (Geiger) H	+\$173
Price Category (Geiger) I	+\$209
Price Category (Geiger) J	+\$245
Price Category (Geiger) K	+\$281
Price Category (Geiger) L	+\$317
Price Category (Geiger) M	+\$353
Price Category (Geiger) N	+\$389
Price Category (Geiger) O	+\$425
Price Category (Geiger) P	+\$460
Price Category (Geiger) Q	+\$531
Price Category (Geiger) R	+\$740
Price Category (Geiger) S	+\$795
Price Category (Geiger) T	+\$850
Price Category (Geiger) U	+\$905
Price Category (Geiger) V	+\$960
Price Category (Geiger) X	+\$1070
Price Category (Geiger) Y	+\$1125
Price Category (Geiger) COM <span style="border: 1px solid black; padding: 0 2px;">A</span>	+\$0
Price Category (Geiger) COL <span style="border: 1px solid black; padding: 0 2px;">A</span>	+\$72

*For french upholstered seat and back, closed arm (F)*

Price Category C	+\$0
Price Category 1	+\$0
Price Category (Geiger) 2	+\$0
Price Category 2	+\$118
Price Category (Geiger) 3	+\$148
Price Category 3	+\$148
Price Category (Geiger) 4	+\$180
Price Category 4	+\$180
Price Category (Geiger) 5	+\$263
Price Category 5	+\$263
Price Category (Geiger) 6	+\$345
Price Category (Geiger) 7	+\$428
Price Category (Geiger) 8	+\$655
Price Category (Geiger) 9	+\$813

Price Category 9	+\$813
Price Category (Geiger) 10	+\$935
Price Category (Geiger) 11	+\$1048
Price Category (Geiger) 14	+\$1373
Price Category (Geiger) C	+\$133
Price Category (Geiger) D	+\$175
Price Category (Geiger) E	+\$213
Price Category (Geiger) F	+\$255
Price Category (Geiger) G	+\$348
Price Category (Geiger) H	+\$433
Price Category (Geiger) I	+\$523
Price Category (Geiger) J	+\$613
Price Category (Geiger) K	+\$703
Price Category (Geiger) L	+\$793
Price Category (Geiger) M	+\$883
Price Category (Geiger) N	+\$973
Price Category (Geiger) O	+\$1063
Price Category (Geiger) P	+\$1150
Price Category (Geiger) Q	+\$1328
Price Category (Geiger) R	+\$1850
Price Category (Geiger) S	+\$1988
Price Category (Geiger) T	+\$2125
Price Category (Geiger) U	+\$2263
Price Category (Geiger) V	+\$2400
Price Category (Geiger) X	+\$2675
Price Category (Geiger) Y	+\$2813
Price Category (Geiger) COM <span style="border: 1px solid black; padding: 0 2px;">A</span>	+\$0
Price Category (Geiger) COL <span style="border: 1px solid black; padding: 0 2px;">A</span>	+\$180

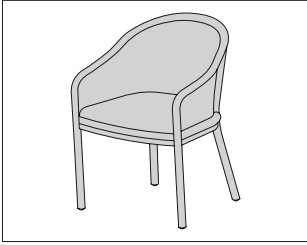
Step 5. Fire Retardancy

	C	F
<b>NOCAL</b> no cal-133 required <span style="border: 1px solid black; padding: 0 2px;">A</span>	+\$0	0
<b>133</b> cal-133 required <span style="border: 1px solid black; padding: 0 2px;">A</span>	+\$65	163



# Landmark Chair

SBLLC  
SBLLF



### Product Information

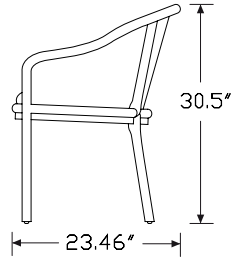
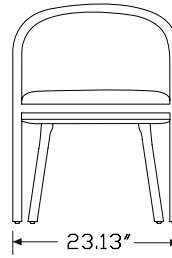
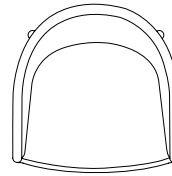
#### Description

This chair has a wood frame carved from solid hardwood. It has a French upholstered seat and back, or a cane seat and back with cushion.

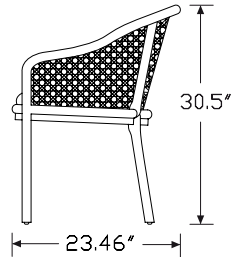
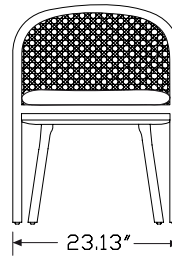
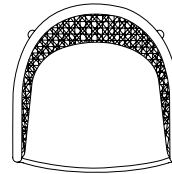
#### Notes

Customers Own Material (COM) requires 2½ yards for the French upholstered seat and back, closed arm (F) and 1 yard for the cane seat and back with cushion (C). Customers Own Leather (COL) requires 45 square feet for the French upholstered seat and back (F) and 20 square feet for the cane seat and back with cushion (C). See Order Information in Appendices.

### Dimensions



French upholstered



Cane seat and back

**Specification Information**

Step 1.

**SBLL** A

Step 2. Seat, Back and Arms

**C** cane seat and back with cushion A

**F** french upholstered seat and back, closed arm A

Prices for Steps 1-2.

**SBLLC** \$2545

**SBLLF** \$2545

Step 3. Wood Finish

Premium Veneer - Low Sheen

<b>932</b>	sundance anigre <span style="border: 1px solid black; padding: 0 2px;">A</span>	+\$0
<b>933</b>	caramel anigre <span style="border: 1px solid black; padding: 0 2px;">A</span>	+\$0
<b>934</b>	henna anigre <span style="border: 1px solid black; padding: 0 2px;">A</span>	+\$0
<b>940</b>	sundance cherry on maple <span style="border: 1px solid black; padding: 0 2px;">A</span>	+\$0
<b>943</b>	caramel cherry <span style="border: 1px solid black; padding: 0 2px;">A</span>	+\$0
<b>946</b>	cocoa cherry <span style="border: 1px solid black; padding: 0 2px;">A</span>	+\$0
<b>956</b>	cocoa sapele <span style="border: 1px solid black; padding: 0 2px;">A</span>	+\$0
<b>962</b>	toasted walnut, low sheen <span style="border: 1px solid black; padding: 0 2px;">A</span>	+\$0
<b>963</b>	charred walnut, low sheen <span style="border: 1px solid black; padding: 0 2px;">A</span>	+\$0
<b>964</b>	bronzed walnut, low sheen <span style="border: 1px solid black; padding: 0 2px;">A</span>	+\$0
<b>965</b>	smoked walnut, low sheen <span style="border: 1px solid black; padding: 0 2px;">A</span>	+\$0
<b>966</b>	coffee walnut, low sheen <span style="border: 1px solid black; padding: 0 2px;">A</span>	+\$0
<b>967</b>	smoked paldao, low sheen <span style="border: 1px solid black; padding: 0 2px;">A</span>	+\$0
<b>969</b>	warm paldao, low sheen <span style="border: 1px solid black; padding: 0 2px;">A</span>	+\$0
<b>977</b>	chocolate ash, low sheen <span style="border: 1px solid black; padding: 0 2px;">A</span>	+\$0
<b>98R</b>	recograin rosewood <span style="border: 1px solid black; padding: 0 2px;">A</span>	+\$0
<b>991</b>	champagne ash <span style="border: 1px solid black; padding: 0 2px;">A</span>	+\$0
<b>998</b>	ebony ash <span style="border: 1px solid black; padding: 0 2px;">A</span>	+\$0
<b>99A</b>	recograin frosty ash <span style="border: 1px solid black; padding: 0 2px;">A</span>	+\$0
<b>99R</b>	recograin rosewood <span style="border: 1px solid black; padding: 0 2px;">A</span>	+\$0
<b>99T</b>	recograin teak <span style="border: 1px solid black; padding: 0 2px;">A</span>	+\$0
<b>9A1</b>	white ash, quarter cut, low sheen <span style="border: 1px solid black; padding: 0 2px;">A</span>	+\$0
<b>9K1</b>	rift oak, rift cut, low sheen <span style="border: 1px solid black; padding: 0 2px;">A</span>	+\$0
<b>9K6</b>	burnt oak, rift cut, low sheen <span style="border: 1px solid black; padding: 0 2px;">A</span>	+\$0
<b>ED</b>	aged cherry <span style="border: 1px solid black; padding: 0 2px;">A</span>	+\$0
<b>EK</b>	medium red walnut <span style="border: 1px solid black; padding: 0 2px;">A</span>	+\$0
<b>G2U</b>	light brown walnut, low sheen <span style="border: 1px solid black; padding: 0 2px;">A</span>	+\$0
<b>G40</b>	dark brown walnut, low sheen <span style="border: 1px solid black; padding: 0 2px;">A</span>	+\$0
<b>UX</b>	walnut on cherry <span style="border: 1px solid black; padding: 0 2px;">A</span>	+\$0

Premium Veneer - Matte

<b>662</b>	toasted walnut, matte sheen <span style="border: 1px solid black; padding: 0 2px;">A</span>	+\$0
<b>663</b>	charred walnut, matte sheen <span style="border: 1px solid black; padding: 0 2px;">A</span>	+\$0
<b>664</b>	bronzed walnut, matte sheen <span style="border: 1px solid black; padding: 0 2px;">A</span>	+\$0
<b>665</b>	smoked walnut, matte sheen <span style="border: 1px solid black; padding: 0 2px;">A</span>	+\$0
<b>666</b>	coffee walnut, matte sheen <span style="border: 1px solid black; padding: 0 2px;">A</span>	+\$0
<b>667</b>	smoked paldao, quarter cut, matte sheen <span style="border: 1px solid black; padding: 0 2px;">A</span>	+\$0
<b>669</b>	warm paldao, quarter cut, matte sheen <span style="border: 1px solid black; padding: 0 2px;">A</span>	+\$0
<b>66A</b>	recograin frosty ash <span style="border: 1px solid black; padding: 0 2px;">A</span>	+\$0
<b>677</b>	chocolate ash, flat cut, matte sheen <span style="border: 1px solid black; padding: 0 2px;">A</span>	+\$0
<b>68R</b>	recograin rosewood <span style="border: 1px solid black; padding: 0 2px;">A</span>	+\$0
<b>69A</b>	recograin frosty ash <span style="border: 1px solid black; padding: 0 2px;">A</span>	+\$0
<b>69R</b>	recograin rosewood <span style="border: 1px solid black; padding: 0 2px;">A</span>	+\$0
<b>69T</b>	recograin teak <span style="border: 1px solid black; padding: 0 2px;">A</span>	+\$0
<b>6A1</b>	white ash <span style="border: 1px solid black; padding: 0 2px;">A</span>	+\$0
<b>6K1</b>	rift oak <span style="border: 1px solid black; padding: 0 2px;">A</span>	+\$0
<b>6K6</b>	burnt oak <span style="border: 1px solid black; padding: 0 2px;">A</span>	+\$0
<b>ET</b>	clear on ash <span style="border: 1px solid black; padding: 0 2px;">A</span>	+\$0
<b>EU</b>	oak on ash <span style="border: 1px solid black; padding: 0 2px;">A</span>	+\$0
<b>EV</b>	walnut on ash <span style="border: 1px solid black; padding: 0 2px;">A</span>	+\$0
<b>GOU</b>	natural walnut, flat cut, matte sheen <span style="border: 1px solid black; padding: 0 2px;">A</span>	+\$0

RecoGrain Veneer

<b>66G</b>	recograin wenge <span style="border: 1px solid black; padding: 0 2px;">A</span>	+\$0
<b>68W</b>	recograin walnut, flat cut, matte sheen <span style="border: 1px solid black; padding: 0 2px;">A</span>	+\$0
<b>69G</b>	recograin wenge <span style="border: 1px solid black; padding: 0 2px;">A</span>	+\$0
<b>69W</b>	recograin walnut, quarter cut, matte sheen <span style="border: 1px solid black; padding: 0 2px;">A</span>	+\$0

Recon Veneer -

<b>96G</b>	wenge recograin, quarter cut, low sheen <span style="border: 1px solid black; padding: 0 2px;">A</span>	+\$0
<b>98W</b>	recograin walnut, flat cut, low sheen <span style="border: 1px solid black; padding: 0 2px;">A</span>	+\$0
<b>99G</b>	recograin wenge, quarter cut, low sheen <span style="border: 1px solid black; padding: 0 2px;">A</span>	+\$0
<b>99W</b>	recograin walnut, quarter cut, low sheen <span style="border: 1px solid black; padding: 0 2px;">A</span>	+\$0

Step 4. Upholstery

*For cane seat and back with cushion (C)*

Price Category 1	+\$0
Price Category (Geiger) 2	+\$47
Price Category 2	+\$47
Price Category (Geiger) 3	+\$59
Price Category 3	+\$59
Price Category (Geiger) 4	+\$72
Price Category 4	+\$72
Price Category (Geiger) 5	+\$105
Price Category 5	+\$105
Price Category (Geiger) 6	+\$138

Landmark Chair *continued*

Price Category (Geiger) 7	+\$171
Price Category (Geiger) 8	+\$262
Price Category (Geiger) 9	+\$325
Price Category 9	+\$325
Price Category (Geiger) 10	+\$374
Price Category (Geiger) 11	+\$419
Price Category (Geiger) 14	+\$549
Price Category (Geiger) C	+\$43
Price Category (Geiger) D	+\$70
Price Category (Geiger) E	+\$85
Price Category (Geiger) F	+\$102
Price Category (Geiger) G	+\$139
Price Category (Geiger) H	+\$173
Price Category (Geiger) I	+\$209
Price Category (Geiger) J	+\$245
Price Category (Geiger) K	+\$281
Price Category (Geiger) L	+\$317
Price Category (Geiger) M	+\$353
Price Category (Geiger) N	+\$389
Price Category (Geiger) O	+\$425
Price Category (Geiger) P	+\$460
Price Category (Geiger) Q	+\$531
Price Category (Geiger) R	+\$740
Price Category (Geiger) S	+\$795
Price Category (Geiger) T	+\$850
Price Category (Geiger) U	+\$905
Price Category (Geiger) V	+\$960
Price Category (Geiger) X	+\$1070
Price Category (Geiger) Y	+\$1125
Price Category (Geiger) COM <input type="checkbox"/> A	+\$0
Price Category (Geiger) COL <input type="checkbox"/> A	+\$72

*For french upholstered seat and back, closed arm (F)*

Price Category C	+\$0
Price Category 1	+\$0
Price Category (Geiger) 2	+\$0
Price Category 2	+\$118
Price Category (Geiger) 3	+\$148
Price Category 3	+\$148
Price Category (Geiger) 4	+\$180
Price Category 4	+\$180
Price Category (Geiger) 5	+\$263
Price Category 5	+\$263
Price Category (Geiger) 6	+\$345
Price Category (Geiger) 7	+\$428
Price Category (Geiger) 8	+\$655
Price Category (Geiger) 9	+\$813

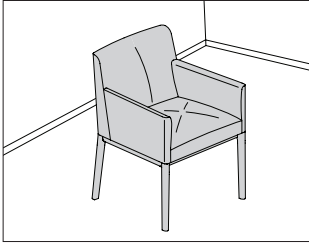
Price Category 9	+\$813
Price Category (Geiger) 10	+\$935
Price Category (Geiger) 11	+\$1048
Price Category (Geiger) 14	+\$1373
Price Category (Geiger) C	+\$107
Price Category (Geiger) D	+\$175
Price Category (Geiger) E	+\$213
Price Category (Geiger) F	+\$255
Price Category (Geiger) G	+\$348
Price Category (Geiger) H	+\$433
Price Category (Geiger) I	+\$523
Price Category (Geiger) J	+\$613
Price Category (Geiger) K	+\$703
Price Category (Geiger) L	+\$793
Price Category (Geiger) M	+\$883
Price Category (Geiger) N	+\$973
Price Category (Geiger) O	+\$1063
Price Category (Geiger) P	+\$1150
Price Category (Geiger) Q	+\$1328
Price Category (Geiger) R	+\$1850
Price Category (Geiger) S	+\$1988
Price Category (Geiger) T	+\$2125
Price Category (Geiger) U	+\$2263
Price Category (Geiger) V	+\$2400
Price Category (Geiger) X	+\$2675
Price Category (Geiger) Y	+\$2813
Price Category (Geiger) COM <input type="checkbox"/> A	+\$0
Price Category (Geiger) COL <input type="checkbox"/> A	+\$180

Step 5. Fire Retardancy

		C	F
<b>NOCAL</b> no cal-133 required <input type="checkbox"/> A		+\$0	0
<b>133</b> cal-133 required <input type="checkbox"/> A		+\$65	163

# Nessel Chair

SNS1A  
SNS1W  
SNS2A  
SNS2W



Herman Miller Collection—Side & Stacking Chairs

## Product Information

### Description

This side chair has a solid wood frame with cushions made of polyfoam and DACRON®. It is available with or without arms. Fire retardant chair meets CAL 133 requirements.

### Notes

Customer's Own Material (COM)/Customer's Own Leather (COL) requires the following:

Type—COM—COL

SNS2W (seat border and outside back)—1 yard—18 square feet

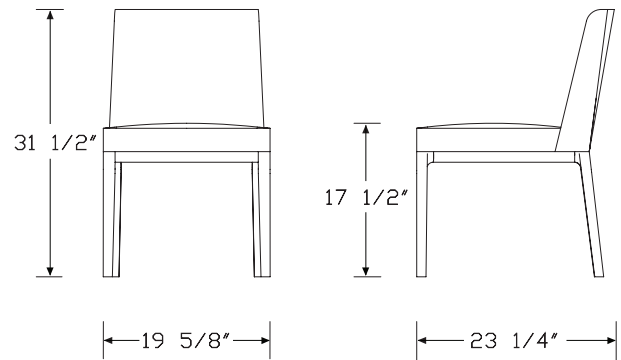
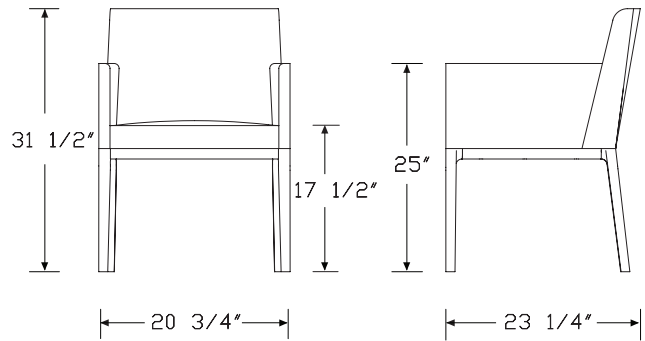
SNS2W (seat cushion top and inside chair back)—1 yard—18 square feet

SNS1W (seat border and outside back)—¾ yard—13½ square feet

SNS1W (seat cushion top and inside chair back)—¾ yard—13½ square feet

See Order Information in Appendices for more information.

## Dimensions



**Specification Information**

Step 1.

**SNS**  A

Step 2. Frame Finish

- 1A** armless - ash  A
- 1W** armless - walnut  A
- 2A** arm - ash  A
- 2W** arm - walnut  A

Prices for Steps 1-2.

<b>SNS1A</b>	\$1295
<b>SNS1W</b>	\$1415
<b>SNS2A</b>	\$1655
<b>SNS2W</b>	\$1775

Step 3. Wood Finish

*For armless - ash (1A) or arm - ash (2A)*

<b>66G</b> recognain wenge <input type="checkbox"/> A	+ \$0
<b>68W</b> recognain walnut, flat cut, matte sheen <input type="checkbox"/> A	+ \$0
<b>69G</b> recognain wenge <input type="checkbox"/> A	+ \$0
<b>69W</b> recognain walnut, quarter cut, matte sheen <input type="checkbox"/> A	+ \$0

*For armless - ash (1A) or arm - ash (2A)*

<b>98W</b> recognain walnut, flat cut, low sheen <input type="checkbox"/> A	+ \$0
<b>99G</b> recognain wenge, quarter cut, low sheen <input type="checkbox"/> A	+ \$0
<b>99W</b> recognain walnut, quarter cut, low sheen <input type="checkbox"/> A	+ \$0

Low Sheen Finishes (on Ash)

*For armless - ash (1A) or arm - ash (2A)*

<b>967</b> smoked paldao, low sheen <input type="checkbox"/> A	+ \$0
<b>969</b> warm paldao, low sheen <input type="checkbox"/> A	+ \$0

Low Sheen Finishes (on Ash)

*For armless - ash (1A) or arm - ash (2A)*

<b>940</b> sundance cherry on maple <input type="checkbox"/> A	+ \$0
<b>962</b> toasted walnut, low sheen <input type="checkbox"/> A	+ \$0
<b>963</b> charred walnut, low sheen <input type="checkbox"/> A	+ \$0
<b>964</b> bronzed walnut, low sheen <input type="checkbox"/> A	+ \$0
<b>965</b> smoked walnut, low sheen <input type="checkbox"/> A	+ \$0
<b>966</b> coffee walnut, low sheen <input type="checkbox"/> A	+ \$0
<b>977</b> chocolate ash, low sheen <input type="checkbox"/> A	+ \$0
<b>98R</b> recognain rosewood <input type="checkbox"/> A	+ \$0
<b>99A</b> recognain frosty ash <input type="checkbox"/> A	+ \$0
<b>99R</b> recognain rosewood <input type="checkbox"/> A	+ \$0
<b>99T</b> recognain teak <input type="checkbox"/> A	+ \$0
<b>9A1</b> white ash, quarter cut, low sheen <input type="checkbox"/> A	+ \$0
<b>9K1</b> rift oak, rift cut, low sheen <input type="checkbox"/> A	+ \$0
<b>9K6</b> burnt oak, rift cut, low sheen <input type="checkbox"/> A	+ \$0
<b>EK</b> medium red walnut <input type="checkbox"/> A	+ \$0
<b>G2U</b> light brown walnut, low sheen <input type="checkbox"/> A	+ \$0
<b>G40</b> dark brown walnut, low sheen <input type="checkbox"/> A	+ \$0
<b>UX</b> walnut on cherry, flat cut, low sheen <input type="checkbox"/> A	+ \$0
<b>943</b> caramel cherry <input type="checkbox"/> A	+ \$0
<b>946</b> cocoa cherry <input type="checkbox"/> A	+ \$0
<b>956</b> cocoa sapele <input type="checkbox"/> A	+ \$0
<b>991</b> champagne ash <input type="checkbox"/> A	+ \$0
<b>998</b> ebony ash <input type="checkbox"/> A	+ \$0
<b>ED</b> aged cherry <input type="checkbox"/> A	+ \$0

Matte Sheen Finishes (on Ash)

*For armless - ash (1A) or arm - ash (2A)*

<b>667</b> smoked paldao, quarter cut, matte sheen <input type="checkbox"/> A	+ \$0
<b>669</b> warm paldao, quarter cut, matte sheen <input type="checkbox"/> A	+ \$0
<b>66A</b> frosty ash recognain, quarter cut, matte sheen <input type="checkbox"/> A	+ \$0
<b>677</b> chocolate ash, matte sheen <input type="checkbox"/> A	+ \$0
<b>68R</b> recognain rosewood <input type="checkbox"/> A	+ \$0
<b>69A</b> recognain frosty ash <input type="checkbox"/> A	+ \$0
<b>69R</b> recognain rosewood <input type="checkbox"/> A	+ \$0
<b>69T</b> recognain teak <input type="checkbox"/> A	+ \$0
<b>6K1</b> rift oak <input type="checkbox"/> A	+ \$0
<b>ET</b> clear on ash <input type="checkbox"/> A	+ \$0
<b>EU</b> oak on ash <input type="checkbox"/> A	+ \$0
<b>EV</b> walnut on ash <input type="checkbox"/> A	+ \$0
<b>GOU</b> natural walnut, flat cut, matte sheen <input type="checkbox"/> A	+ \$0
<b>6A1</b> white ash <input type="checkbox"/> A	+ \$0
<b>6K6</b> burnt oak <input type="checkbox"/> A	+ \$0

Nessel Chair *continued*

*For armless - walnut (1W) or arm - walnut (2W)*

<b>967</b>	smoked paldao, low sheen <input type="checkbox"/> A	+\$0
<b>969</b>	warm paldao, low sheen <input type="checkbox"/> A	+\$0

*For armless - walnut (1W) or arm - walnut (2W)*

<b>662</b>	toasted walnut, matte sheen <input type="checkbox"/> A	+\$0
<b>663</b>	charred walnut, matte sheen <input type="checkbox"/> A	+\$0
<b>664</b>	bronzed walnut, matte sheen <input type="checkbox"/> A	+\$0
<b>665</b>	smoked walnut, matte sheen <input type="checkbox"/> A	+\$0
<b>666</b>	coffee walnut, matte sheen <input type="checkbox"/> A	+\$0
<b>68R</b>	recograin rosewood <input type="checkbox"/> A	+\$0
<b>69R</b>	recograin rosewood <input type="checkbox"/> A	+\$0
<b>GOU</b>	natural walnut, flat cut, matte sheen <input type="checkbox"/> A	+\$0

*For armless - walnut (1W) or arm - walnut (2W)*

<b>96G</b>	wenge recograin, quarter cut, low sheen <input type="checkbox"/> A	+\$0
<b>99G</b>	recograin wenge, quarter cut, low sheen <input type="checkbox"/> A	+\$0

*For armless - walnut (1W) or arm - walnut (2W)*

<b>66G</b>	recograin wenge <input type="checkbox"/> A	+\$0
<b>69G</b>	recograin wenge <input type="checkbox"/> A	+\$0

Low Sheen Finishes (on Walnut)

*For armless - walnut (1W) or arm - walnut (2W)*

<b>962</b>	toasted walnut, low sheen <input type="checkbox"/> A	+\$0
<b>963</b>	charred walnut, low sheen <input type="checkbox"/> A	+\$0
<b>964</b>	bronzed walnut, low sheen <input type="checkbox"/> A	+\$0
<b>965</b>	smoked walnut, low sheen <input type="checkbox"/> A	+\$0
<b>966</b>	coffee walnut, low sheen <input type="checkbox"/> A	+\$0
<b>972</b>	sundance walnut <input type="checkbox"/> A	+\$0
<b>98R</b>	recograin rosewood <input type="checkbox"/> A	+\$0
<b>99R</b>	recograin rosewood <input type="checkbox"/> A	+\$0
<b>G2U</b>	light brown walnut, low sheen <input type="checkbox"/> A	+\$0
<b>G40</b>	dark brown walnut, low sheen <input type="checkbox"/> A	+\$0
<b>EK</b>	medium red walnut <input type="checkbox"/> A	+\$0

Step 4. Seat Border/Outside Back

	<b>1A</b>	<b>1W</b>	<b>2A</b>	<b>2W</b>
Price Category (Geiger) COL <input type="checkbox"/> A	+\$0	0	0	0
Price Category (Geiger) COM <input type="checkbox"/> A	+\$0	0	0	0
Price Category 1	+\$0	0	0	0
Price Category (Geiger) 2	+\$0	0	0	0
Price Category 2	+\$35	35	47	47
Price Category (Geiger) 3	+\$44	44	59	59
Price Category 3	+\$44	44	59	59
Price Category (Geiger) 4	+\$54	54	72	72
Price Category (Geiger) 5	+\$79	79	105	105
Price Category 5	+\$79	79	105	105
Price Category (Geiger) 6	+\$104	104	138	138
Price Category (Geiger) 7	+\$128	128	171	171
Price Category 7	+\$128	128	128	128
Price Category (Geiger) 8	+\$197	197	262	262
Price Category 9	+\$244	244	325	325
Price Category (Geiger) 10	+\$281	281	374	374
Price Category (Geiger) 11	+\$314	314	419	419
Price Category 11	+\$314	314	419	419
Price Category (Geiger) C	+\$40	40	53	53
Price Category (Geiger) D	+\$53	53	70	70
Price Category (Geiger) G	+\$104	104	139	139
Price Category (Geiger) H	+\$130	130	173	173
Price Category (Geiger) I	+\$157	157	209	209
Price Category (Geiger) K	+\$211	211	281	281
Price Category (Geiger) L	+\$238	238	317	317
Price Category (Geiger) M	+\$265	265	353	353

Nessel Chair *continued*

Step 5. Seat Cushion Top/Inside Back

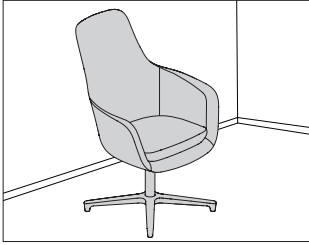
	1A	1W	2A	2W
Price Category 1	+\$0	0	0	0
Price Category (Geiger) 2	+\$0	0	0	0
Price Category 2	+\$35	35	47	47
Price Category (Geiger) 3	+\$44	44	59	59
Price Category 3	+\$44	44	59	59
Price Category (Geiger) 4	+\$54	54	72	72
Price Category (Geiger) 5	+\$79	79	105	105
Price Category 5	+\$79	79	105	105
Price Category (Geiger) 6	+\$104	104	138	138
Price Category (Geiger) 7	+\$128	128	171	171
Price Category 7	+\$128	128	128	128
Price Category (Geiger) 8	+\$197	197	262	262
Price Category 9	+\$244	244	325	325
Price Category (Geiger) 10	+\$281	281	374	374
Price Category (Geiger) 11	+\$314	314	419	419
Price Category 11	+\$314	314	419	419
Price Category (Geiger) C	+\$0	0	0	0
Price Category (Geiger) D	+\$53	53	70	70
Price Category (Geiger) G	+\$104	104	139	139
Price Category (Geiger) H	+\$130	130	173	173
Price Category (Geiger) I	+\$157	157	209	209
Price Category (Geiger) K	+\$211	211	281	281
Price Category (Geiger) L	+\$238	238	317	317
Price Category (Geiger) M	+\$265	265	353	353
Price Category (Geiger) COL <span style="border: 1px solid black; padding: 0 2px;">A</span>	+\$0	0	0	0
Price Category (Geiger) COM <span style="border: 1px solid black; padding: 0 2px;">A</span>	+\$0	0	0	0

Step 6. Fire Retardancy

	1A	1W	2A	2W
<b>NOCAL</b> no cal-133 required <span style="border: 1px solid black; padding: 0 2px;">A</span>	+\$0	0	0	0
<b>133</b> cal-133 required <span style="border: 1px solid black; padding: 0 2px;">A</span>	+\$49	49	65	65

# Saiba Conference Chair

SBN1H  
SBN1M



Herman Miller Collection—Side & Stacking Chairs

## Product Information

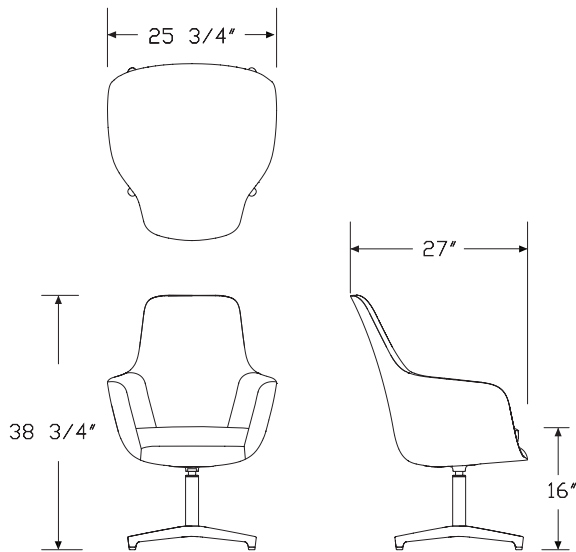
### Description

This swivel chair has a high back or mid back and a 4-star self-return base with glides. Seat frame is rigid urethane with polyurethane foam. Cushion is high density FR foam.

### Notes

Customer's Own Material (COM) requires 3 yards for high back (H) or 2¾ yards for mid back (M). Customer's Own Leather (COL) requires 54 square feet for high back (H) or 49½ square feet for mid back (M). See Order Information in appendices.

## Dimensions



## Specification Information

### Step 1.

**SBN1**  A

### Step 2. Back Height

**M** mid back  A

**H** high back  A

### Prices for Steps 1-2.

<b>SBN1M</b>	\$1750
<b>SBN1H</b>	\$1850

### Step 3. Upholstery

	M	H
Price Category (Geiger) COL <input type="checkbox"/> A	+\$0	0
Price Category (Geiger) COM <input type="checkbox"/> A	+\$0	0
Price Category 1	+\$0	0
Price Category (Geiger) 2	+\$129	177
Price Category 2	+\$129	177
Price Category (Geiger) 3	+\$162	177
Price Category 3	+\$162	177
Price Category (Geiger) 4	+\$198	216
Price Category (Geiger) 5	+\$289	315
Price Category 5	+\$289	315
Price Category (Geiger) 7	+\$470	513
Price Category 9	+\$894	975
Price Category (Geiger) 10	+\$1029	1122
Price Category (Geiger) 11	+\$1152	1257
Price Category 11	+\$1152	1257
Price Category (Geiger) H	+\$476	519

### Step 4. Base Finish

<b>BK</b> black <input type="checkbox"/> A	+\$0
<b>CD</b> polished aluminum <input type="checkbox"/> A	+\$0

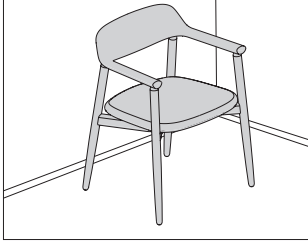
### Step 5. Fire Retardancy

	M	H
<b>NOCAL</b> no cal-133 required <input type="checkbox"/> A	+\$0	0
<b>133</b> cal-133 required <input type="checkbox"/> A	+\$179	195



# Crosshatch Side Chair

SES2A  
SES2W



### Product Information

#### Description

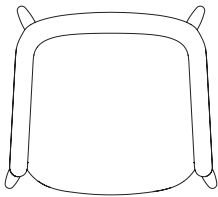
This side chair has a solid wood frame with an upholstered seat. Frame comes in ash or walnut.

#### Notes

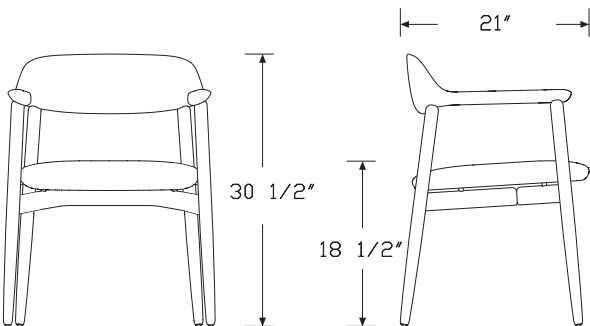
Fire retardant chair meets CAL 133 requirements.

Customer's Own Material (COM) requires  $\frac{3}{4}$  yards. Customer's Own Leather (COL) requires  $13\frac{1}{2}$  square feet. See Order Information in appendices.

#### Dimensions



← 23 3/4" →



### Specification Information

#### Step 1.

**SES2**  A

#### Step 2. Frame Finish

**A** ash  A

**W** walnut  A

#### Prices for Steps 1-2.

<b>SES2A</b>	\$1485
<b>SES2W</b>	\$2035

#### Step 3. Wood Finish

#### RecoGrain Veneer

##### For ash (A)

<b>66G</b>	recoGrain wenge <input type="checkbox"/> A	+\$0
<b>68W</b>	recoGrain walnut, flat cut, matte sheen <input type="checkbox"/> A	+\$0
<b>69G</b>	recoGrain wenge <input type="checkbox"/> A	+\$0
<b>69W</b>	recoGrain walnut, quarter cut, matte sheen <input type="checkbox"/> A	+\$0

#### Recon Veneer -

##### For ash (A)

<b>98W</b>	recoGrain walnut, flat cut, low sheen <input type="checkbox"/> A	+\$0
<b>99G</b>	recoGrain wenge, quarter cut, low sheen <input type="checkbox"/> A	+\$0
<b>99W</b>	recoGrain walnut, quarter cut, low sheen <input type="checkbox"/> A	+\$0

#### Low Sheen Finishes (on Ash)

##### For ash (A)

<b>967</b>	smoked paldao, low sheen <input type="checkbox"/> A	+\$0
<b>969</b>	warm paldao, low sheen <input type="checkbox"/> A	+\$0

Crosshatch Side Chair *continued*

Low Sheen Finishes (on Ash)

*For ash (A)*

<b>940</b>	sundance cherry on maple <span style="border: 1px solid black; padding: 0 2px;">A</span>	+\$0
<b>962</b>	toasted walnut, low sheen <span style="border: 1px solid black; padding: 0 2px;">A</span>	+\$0
<b>963</b>	charred walnut, low sheen <span style="border: 1px solid black; padding: 0 2px;">A</span>	+\$0
<b>964</b>	bronzed walnut, low sheen <span style="border: 1px solid black; padding: 0 2px;">A</span>	+\$0
<b>965</b>	smoked walnut, low sheen <span style="border: 1px solid black; padding: 0 2px;">A</span>	+\$0
<b>966</b>	coffee walnut, low sheen <span style="border: 1px solid black; padding: 0 2px;">A</span>	+\$0
<b>977</b>	chocolate ash, low sheen <span style="border: 1px solid black; padding: 0 2px;">A</span>	+\$0
<b>98R</b>	recograin rosewood <span style="border: 1px solid black; padding: 0 2px;">A</span>	+\$0
<b>99A</b>	recograin frosty ash <span style="border: 1px solid black; padding: 0 2px;">A</span>	+\$0
<b>99R</b>	recograin rosewood <span style="border: 1px solid black; padding: 0 2px;">A</span>	+\$0
<b>99T</b>	recograin teak <span style="border: 1px solid black; padding: 0 2px;">A</span>	+\$0
<b>9A1</b>	white ash, quarter cut, low sheen <span style="border: 1px solid black; padding: 0 2px;">A</span>	+\$0
<b>9K1</b>	rift oak, rift cut, low sheen <span style="border: 1px solid black; padding: 0 2px;">A</span>	+\$0
<b>9K6</b>	burnt oak, rift cut, low sheen <span style="border: 1px solid black; padding: 0 2px;">A</span>	+\$0
<b>EK</b>	medium red walnut <span style="border: 1px solid black; padding: 0 2px;">A</span>	+\$0
<b>G2U</b>	light brown walnut, low sheen <span style="border: 1px solid black; padding: 0 2px;">A</span>	+\$0
<b>G40</b>	dark brown walnut, low sheen <span style="border: 1px solid black; padding: 0 2px;">A</span>	+\$0
<b>UX</b>	walnut on cherry <span style="border: 1px solid black; padding: 0 2px;">A</span>	+\$0
<b>943</b>	caramel cherry <span style="border: 1px solid black; padding: 0 2px;">A</span>	+\$0
<b>946</b>	cocoa cherry <span style="border: 1px solid black; padding: 0 2px;">A</span>	+\$0
<b>956</b>	cocoa sapele <span style="border: 1px solid black; padding: 0 2px;">A</span>	+\$0
<b>991</b>	champagne ash <span style="border: 1px solid black; padding: 0 2px;">A</span>	+\$0
<b>998</b>	ebony ash <span style="border: 1px solid black; padding: 0 2px;">A</span>	+\$0
<b>ED</b>	aged cherry <span style="border: 1px solid black; padding: 0 2px;">A</span>	+\$0

Matte Sheen Finishes (on Ash)

*For ash (A)*

<b>66A</b>	recograin frosty ash <span style="border: 1px solid black; padding: 0 2px;">A</span>	+\$0
<b>677</b>	chocolate ash, matte sheen <span style="border: 1px solid black; padding: 0 2px;">A</span>	+\$0
<b>68R</b>	recograin rosewood <span style="border: 1px solid black; padding: 0 2px;">A</span>	+\$0
<b>69A</b>	recograin frosty ash <span style="border: 1px solid black; padding: 0 2px;">A</span>	+\$0
<b>69R</b>	recograin rosewood <span style="border: 1px solid black; padding: 0 2px;">A</span>	+\$0
<b>69T</b>	recograin teak <span style="border: 1px solid black; padding: 0 2px;">A</span>	+\$0
<b>6K1</b>	rift oak <span style="border: 1px solid black; padding: 0 2px;">A</span>	+\$0
<b>ET</b>	clear on ash <span style="border: 1px solid black; padding: 0 2px;">A</span>	+\$0
<b>EU</b>	oak on ash <span style="border: 1px solid black; padding: 0 2px;">A</span>	+\$0
<b>EV</b>	walnut on ash <span style="border: 1px solid black; padding: 0 2px;">A</span>	+\$0
<b>GOU</b>	natural walnut, flat cut, matte sheen <span style="border: 1px solid black; padding: 0 2px;">A</span>	+\$0
<b>6A1</b>	white ash <span style="border: 1px solid black; padding: 0 2px;">A</span>	+\$0
<b>6K6</b>	burnt oak <span style="border: 1px solid black; padding: 0 2px;">A</span>	+\$0

Anigre Veneer - Low Sheen

*For walnut (W)*

<b>967</b>	smoked paldao, low sheen <span style="border: 1px solid black; padding: 0 2px;">A</span>	+\$0
<b>969</b>	warm paldao, low sheen <span style="border: 1px solid black; padding: 0 2px;">A</span>	+\$0

Premium Veneer - Matte

*For walnut (W)*

<b>662</b>	toasted walnut, matte sheen <span style="border: 1px solid black; padding: 0 2px;">A</span>	+\$0
<b>663</b>	charred walnut, matte sheen <span style="border: 1px solid black; padding: 0 2px;">A</span>	+\$0
<b>664</b>	bronzed walnut, matte sheen <span style="border: 1px solid black; padding: 0 2px;">A</span>	+\$0
<b>665</b>	smoked walnut, matte sheen <span style="border: 1px solid black; padding: 0 2px;">A</span>	+\$0
<b>666</b>	coffee walnut, matte sheen <span style="border: 1px solid black; padding: 0 2px;">A</span>	+\$0
<b>667</b>	smoked paldao, quarter cut, matte sheen <span style="border: 1px solid black; padding: 0 2px;">A</span>	+\$0
<b>669</b>	warm paldao, quarter cut, matte sheen <span style="border: 1px solid black; padding: 0 2px;">A</span>	+\$0
<b>68R</b>	recograin rosewood <span style="border: 1px solid black; padding: 0 2px;">A</span>	+\$0
<b>69R</b>	recograin rosewood <span style="border: 1px solid black; padding: 0 2px;">A</span>	+\$0
<b>GOU</b>	natural walnut, flat cut, matte sheen <span style="border: 1px solid black; padding: 0 2px;">A</span>	+\$0

RecoGrain Veneer

*For walnut (W)*

<b>66G</b>	recograin wenge <span style="border: 1px solid black; padding: 0 2px;">A</span>	+\$0
<b>69G</b>	recograin wenge <span style="border: 1px solid black; padding: 0 2px;">A</span>	+\$0

*For walnut (W)*

<b>96G</b>	wenge recograin, quarter cut, low sheen <span style="border: 1px solid black; padding: 0 2px;">A</span>	+\$0
<b>99G</b>	recograin wenge, quarter cut, low sheen <span style="border: 1px solid black; padding: 0 2px;">A</span>	+\$0

Low Sheen Finishes (on Walnut)

*For walnut (W)*

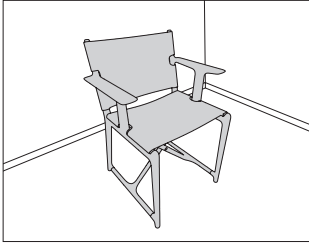
<b>962</b>	toasted walnut, low sheen <span style="border: 1px solid black; padding: 0 2px;">A</span>	+\$0
<b>963</b>	charred walnut, low sheen <span style="border: 1px solid black; padding: 0 2px;">A</span>	+\$0
<b>964</b>	bronzed walnut, low sheen <span style="border: 1px solid black; padding: 0 2px;">A</span>	+\$0
<b>965</b>	smoked walnut, low sheen <span style="border: 1px solid black; padding: 0 2px;">A</span>	+\$0
<b>966</b>	coffee walnut, low sheen <span style="border: 1px solid black; padding: 0 2px;">A</span>	+\$0
<b>972</b>	sundance walnut <span style="border: 1px solid black; padding: 0 2px;">A</span>	+\$0
<b>98R</b>	recograin rosewood <span style="border: 1px solid black; padding: 0 2px;">A</span>	+\$0
<b>99R</b>	recograin rosewood <span style="border: 1px solid black; padding: 0 2px;">A</span>	+\$0
<b>G2U</b>	light brown walnut, low sheen <span style="border: 1px solid black; padding: 0 2px;">A</span>	+\$0
<b>G40</b>	dark brown walnut, low sheen <span style="border: 1px solid black; padding: 0 2px;">A</span>	+\$0
<b>EK</b>	medium red walnut <span style="border: 1px solid black; padding: 0 2px;">A</span>	+\$0

## Crosshatch Side Chair *continued*

Step 4. Fabric	
Price Category 1	+\$0
Price Category 2	+\$35
Price Category (Geiger) 3	+\$44
Price Category 3	+\$44
Price Category (Geiger) 4	+\$54
Price Category (Geiger) 5	+\$79
Price Category 5	+\$79
Price Category (Geiger) 6	+\$0
Price Category (Geiger) 7	+\$128
Price Category (Geiger) 8	+\$197
Price Category 9	+\$244
Price Category (Geiger) 10	+\$281
Price Category (Geiger) 11	+\$314
Price Category 11	+\$314
Price Category (Geiger) 14	+\$412
Price Category (Geiger) C	+\$40
Price Category (Geiger) G	+\$104
Price Category (Geiger) H	+\$130
Price Category (Geiger) J	+\$184
Price Category (Geiger) K	+\$211
Price Category (Geiger) L	+\$476
Price Category (Geiger) M	+\$530
Price Category (Geiger) COL <input type="checkbox"/> A	+\$54
Price Category (Geiger) COM <input type="checkbox"/> A	+\$0
Step 5. Fire Retardancy	
<b>NOCAL</b> no cal-133 required <input type="checkbox"/> A	+\$0
<b>133</b> cal-133 required <input type="checkbox"/> A	+\$49

# Stanley Chair

XXSD1



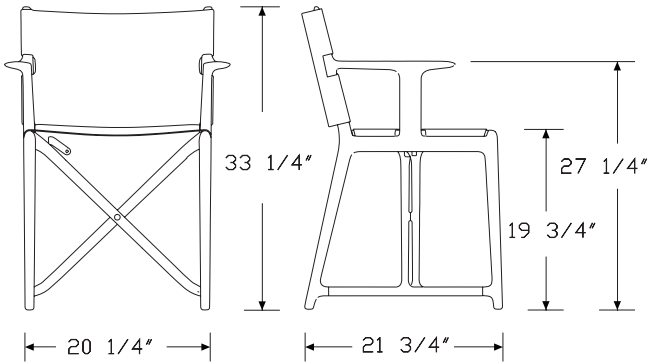
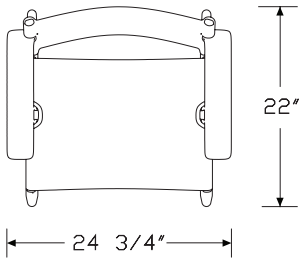
Herman Miller Collection—Side & Stacking Chairs

## Product Information

### Description

This folding chair has a polypropylene frame with glass fiber added. Seat and back are made with outdoor performance fabric. Chair is suitable for outdoor use. Sold individually.

### Dimensions



## Specification Information

### Step 1.

**XXSD193**  A

### Step 2. Textile Option

**0** fabric seat and back  A

### Prices for Steps 1-2.

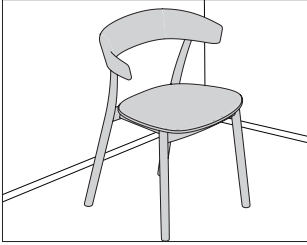
**XXSD193 0** \$890

### Step 3. Frame and Seat/Back Combination

- YZ1** white frame with white outdoor fabric  A +\$0
- YZ2** black frame with black outdoor fabric  A +\$0
- YZ3** beige frame with beige outdoor fabric  A +\$0

# Leeway™ Wood Side Chair

SVWUA  
SVWUW  
SVWWA  
SVWWW



## Product Information

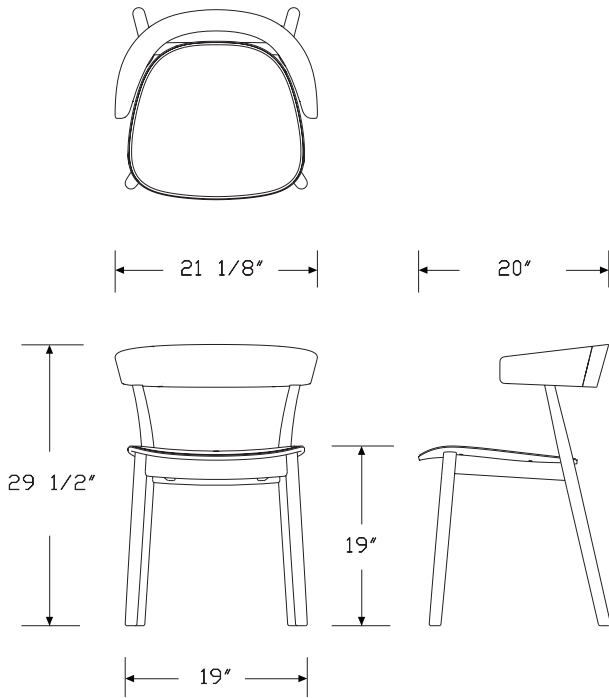
### Description

This side chair has a solid wood frame available with or without an upholstered seat.

### Notes

Customer's Own Material (COM) requires  $\frac{3}{4}$  yard. Customer's Own Leather (COL) requires  $13\frac{1}{2}$  square feet. See Order Information in appendices.

### Dimensions



## Specification Information

### Step 1.

**SVW**  A

### Step 2. Seat

**U** upholstered seat  A

**W** wood seat  A

### Step 3. Wood Species

**A** ash  A

**W** walnut  A

### Prices for Steps 1-3.

<b>SVWUA</b>	\$1185
<b>SVWUW</b>	\$1585
<b>SVWWA</b>	\$1085
<b>SVWWW</b>	\$1485

Step 4. Wood Finish

*For ash (A)*

<b>940</b>	sundance cherry on maple, low sheen <span style="border: 1px solid black; padding: 0 2px;">A</span>	+\$0
<b>943</b>	caramel cherry, low sheen <span style="border: 1px solid black; padding: 0 2px;">A</span>	+\$0
<b>946</b>	cocoa cherry, low sheen <span style="border: 1px solid black; padding: 0 2px;">A</span>	+\$0
<b>956</b>	cocoa sapele, low sheen <span style="border: 1px solid black; padding: 0 2px;">A</span>	+\$0
<b>962</b>	toasted walnut, low sheen <span style="border: 1px solid black; padding: 0 2px;">A</span>	+\$0
<b>963</b>	charred walnut, low sheen <span style="border: 1px solid black; padding: 0 2px;">A</span>	+\$0
<b>964</b>	bronzed walnut, low sheen <span style="border: 1px solid black; padding: 0 2px;">A</span>	+\$0
<b>965</b>	smoked walnut, low sheen <span style="border: 1px solid black; padding: 0 2px;">A</span>	+\$0
<b>966</b>	coffee walnut, low sheen <span style="border: 1px solid black; padding: 0 2px;">A</span>	+\$0
<b>967</b>	smoked paldao, low sheen <span style="border: 1px solid black; padding: 0 2px;">A</span>	+\$0
<b>969</b>	warm paldao, low sheen <span style="border: 1px solid black; padding: 0 2px;">A</span>	+\$0
<b>96A</b>	recograin frosty ash, low sheen <span style="border: 1px solid black; padding: 0 2px;">A</span>	+\$0
<b>96G</b>	recograin wenge, low sheen <span style="border: 1px solid black; padding: 0 2px;">A</span>	+\$0
<b>96W</b>	recograin walnut, low sheen <span style="border: 1px solid black; padding: 0 2px;">A</span>	+\$0
<b>977</b>	chocolate ash, low sheen <span style="border: 1px solid black; padding: 0 2px;">A</span>	+\$0
<b>98R</b>	recograin rosewood, low sheen <span style="border: 1px solid black; padding: 0 2px;">A</span>	+\$0
<b>98W</b>	recograin walnut, low sheen <span style="border: 1px solid black; padding: 0 2px;">A</span>	+\$0
<b>991</b>	champagne ash, low sheen <span style="border: 1px solid black; padding: 0 2px;">A</span>	+\$0
<b>998</b>	ebony ash, low sheen <span style="border: 1px solid black; padding: 0 2px;">A</span>	+\$0
<b>99G</b>	recograin wenge, low sheen <span style="border: 1px solid black; padding: 0 2px;">A</span>	+\$0
<b>99R</b>	recograin rosewood, low sheen <span style="border: 1px solid black; padding: 0 2px;">A</span>	+\$0
<b>99T</b>	recograin teak, low sheen <span style="border: 1px solid black; padding: 0 2px;">A</span>	+\$0
<b>99W</b>	recograin walnut, low sheen <span style="border: 1px solid black; padding: 0 2px;">A</span>	+\$0
<b>9A1</b>	white ash, low sheen <span style="border: 1px solid black; padding: 0 2px;">A</span>	+\$0
<b>9K1</b>	rift oak, low sheen <span style="border: 1px solid black; padding: 0 2px;">A</span>	+\$0
<b>9K6</b>	burnt oak, low sheen <span style="border: 1px solid black; padding: 0 2px;">A</span>	+\$0
<b>ED</b>	aged cherry, low sheen <span style="border: 1px solid black; padding: 0 2px;">A</span>	+\$0
<b>EK</b>	medium red walnut, low sheen <span style="border: 1px solid black; padding: 0 2px;">A</span>	+\$0
<b>G2U</b>	light brown walnut, low sheen <span style="border: 1px solid black; padding: 0 2px;">A</span>	+\$0
<b>G40</b>	dark brown walnut, low sheen <span style="border: 1px solid black; padding: 0 2px;">A</span>	+\$0
<b>UX</b>	walnut on cherry, low sheen <span style="border: 1px solid black; padding: 0 2px;">A</span>	+\$0

*For ash (A)*

<b>662</b>	toasted walnut, matte sheen <span style="border: 1px solid black; padding: 0 2px;">A</span>	+\$0
<b>663</b>	charred walnut, matte sheen <span style="border: 1px solid black; padding: 0 2px;">A</span>	+\$0
<b>664</b>	bronzed walnut, matte sheen <span style="border: 1px solid black; padding: 0 2px;">A</span>	+\$0
<b>665</b>	smoked walnut, matte sheen <span style="border: 1px solid black; padding: 0 2px;">A</span>	+\$0
<b>666</b>	coffee walnut, matte sheen <span style="border: 1px solid black; padding: 0 2px;">A</span>	+\$0
<b>667</b>	smoked paldao, matte sheen <span style="border: 1px solid black; padding: 0 2px;">A</span>	+\$0
<b>669</b>	warm paldao, matte sheen <span style="border: 1px solid black; padding: 0 2px;">A</span>	+\$0
<b>66A</b>	recograin frosty ash, matte sheen <span style="border: 1px solid black; padding: 0 2px;">A</span>	+\$0
<b>66G</b>	recograin wenge, matte sheen <span style="border: 1px solid black; padding: 0 2px;">A</span>	+\$0
<b>66W</b>	recograin walnut, matte sheen <span style="border: 1px solid black; padding: 0 2px;">A</span>	+\$0
<b>677</b>	chocolate ash, matte sheen <span style="border: 1px solid black; padding: 0 2px;">A</span>	+\$0
<b>68R</b>	recograin rosewood, matte sheen <span style="border: 1px solid black; padding: 0 2px;">A</span>	+\$0
<b>68W</b>	recograin walnut, matte sheen <span style="border: 1px solid black; padding: 0 2px;">A</span>	+\$0
<b>69A</b>	recograin frosty ash, matte sheen <span style="border: 1px solid black; padding: 0 2px;">A</span>	+\$0
<b>69G</b>	recograin wenge, matte sheen <span style="border: 1px solid black; padding: 0 2px;">A</span>	+\$0
<b>69R</b>	recograin rosewood, matte sheen <span style="border: 1px solid black; padding: 0 2px;">A</span>	+\$0
<b>69T</b>	recograin teak, matte sheen <span style="border: 1px solid black; padding: 0 2px;">A</span>	+\$0
<b>69W</b>	recograin walnut, matte sheen <span style="border: 1px solid black; padding: 0 2px;">A</span>	+\$0
<b>6A1</b>	white ash, matte sheen <span style="border: 1px solid black; padding: 0 2px;">A</span>	+\$0
<b>6ET</b>	clear on ash, ash solid, matte sheen <span style="border: 1px solid black; padding: 0 2px;">A</span>	+\$0
<b>6EU</b>	oak on ash, oak solid, matte sheen <span style="border: 1px solid black; padding: 0 2px;">A</span>	+\$0
<b>6EV</b>	walnut on ash, walnut solid, matte sheen <span style="border: 1px solid black; padding: 0 2px;">A</span>	+\$0
<b>6K1</b>	rift oak, matte sheen <span style="border: 1px solid black; padding: 0 2px;">A</span>	+\$0
<b>6K6</b>	burnt oak, matte sheen <span style="border: 1px solid black; padding: 0 2px;">A</span>	+\$0
<b>ET</b>	clear on ash, matte sheen <span style="border: 1px solid black; padding: 0 2px;">A</span>	+\$0
<b>EU</b>	oak on ash, matte sheen <span style="border: 1px solid black; padding: 0 2px;">A</span>	+\$0
<b>EV</b>	walnut on ash, matte sheen <span style="border: 1px solid black; padding: 0 2px;">A</span>	+\$0
<b>GOU</b>	walnut, matte sheen <span style="border: 1px solid black; padding: 0 2px;">A</span>	+\$0

*For walnut (W)*

<b>962</b>	toasted walnut, low sheen <span style="border: 1px solid black; padding: 0 2px;">A</span>	+\$0
<b>963</b>	charred walnut, low sheen <span style="border: 1px solid black; padding: 0 2px;">A</span>	+\$0
<b>964</b>	bronzed walnut, low sheen <span style="border: 1px solid black; padding: 0 2px;">A</span>	+\$0
<b>965</b>	smoked walnut, low sheen <span style="border: 1px solid black; padding: 0 2px;">A</span>	+\$0
<b>966</b>	coffee walnut, low sheen <span style="border: 1px solid black; padding: 0 2px;">A</span>	+\$0
<b>967</b>	smoked paldao, low sheen <span style="border: 1px solid black; padding: 0 2px;">A</span>	+\$0
<b>969</b>	warm paldao, low sheen <span style="border: 1px solid black; padding: 0 2px;">A</span>	+\$0
<b>96G</b>	recograin wenge, low sheen <span style="border: 1px solid black; padding: 0 2px;">A</span>	+\$0
<b>972</b>	sundance walnut, low sheen <span style="border: 1px solid black; padding: 0 2px;">A</span>	+\$0
<b>98R</b>	recograin rosewood, low sheen <span style="border: 1px solid black; padding: 0 2px;">A</span>	+\$0
<b>99G</b>	recograin wenge, low sheen <span style="border: 1px solid black; padding: 0 2px;">A</span>	+\$0
<b>EK</b>	medium red walnut, low sheen <span style="border: 1px solid black; padding: 0 2px;">A</span>	+\$0
<b>G2U</b>	light brown walnut, low sheen <span style="border: 1px solid black; padding: 0 2px;">A</span>	+\$0
<b>G40</b>	dark brown walnut, low sheen <span style="border: 1px solid black; padding: 0 2px;">A</span>	+\$0

For walnut (W)

<b>662</b>	toasted walnut, matte sheen <input type="checkbox"/> A	+\$0
<b>663</b>	charred walnut, matte sheen <input type="checkbox"/> A	+\$0
<b>664</b>	bronzed walnut, matte sheen <input type="checkbox"/> A	+\$0
<b>665</b>	smoked walnut, matte sheen <input type="checkbox"/> A	+\$0
<b>666</b>	coffee walnut, matte sheen <input type="checkbox"/> A	+\$0
<b>667</b>	smoked paldao, matte sheen <input type="checkbox"/> A	+\$0
<b>669</b>	warm paldao, matte sheen <input type="checkbox"/> A	+\$0
<b>66G</b>	recograin wenge, matte sheen <input type="checkbox"/> A	+\$0
<b>68R</b>	recograin rosewood, matte sheen <input type="checkbox"/> A	+\$0
<b>69G</b>	recograin wenge, matte sheen <input type="checkbox"/> A	+\$0
<b>69R</b>	recograin rosewood, matte sheen <input type="checkbox"/> A	+\$0
<b>6EV</b>	walnut on ash, walnut solid, matte sheen <input type="checkbox"/> A	+\$0
<b>EV</b>	walnut on ash, matte sheen <input type="checkbox"/> A	+\$0
<b>GOU</b>	walnut, matte sheen <input type="checkbox"/> A	+\$0

Step 5. Fabric

For upholstered seat (U)

Price Category (Geiger) COL <input type="checkbox"/> A	+\$54
Price Category (Geiger) COM <input type="checkbox"/> A	+\$0
Price Category 1	+\$0
Price Category 2	+\$35
Price Category (Geiger) 3	+\$44
Price Category 3	+\$44
Price Category (Geiger) 4	+\$54
Price Category (Geiger) 5	+\$79
Price Category 5	+\$79
Price Category (Geiger) 6	+\$104
Price Category (Geiger) 7	+\$128
Price Category (Geiger) 8	+\$197
Price Category 9	+\$244
Price Category (Geiger) 10	+\$281
Price Category (Geiger) 11	+\$314
Price Category 11	+\$314
Price Category (Geiger) 14	+\$412
Price Category (Geiger) C	+\$64
Price Category (Geiger) D	+\$53
Price Category (Geiger) E	+\$64
Price Category (Geiger) G	+\$70
Price Category (Geiger) H	+\$130
Price Category (Geiger) J	+\$184
Price Category (Geiger) K	+\$211
Price Category (Geiger) L	+\$238
Price Category (Geiger) M	+\$265

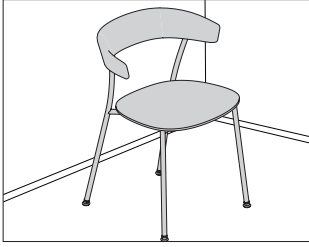
Step 6. Fire Retardancy

For upholstered seat (U)

<b>NOCAL</b>	not fire retardant <input type="checkbox"/> A	+\$0
<b>133</b>	cal-133 required <input type="checkbox"/> A	+\$49

## Leeway™ Metal Frame Side Chair

SVMP  
SVMUA  
SVMUW  
SVMWA  
SVMWW



### Product Information

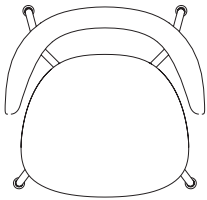
#### Description

This side chair has a solid wood seat and back with a metal frame or a polyurethane seat and back with a metal frame. All options available with or without an upholstered seat.

#### Notes

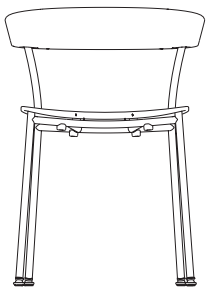
Customer's Own Material (COM) requires 1/2 yard. Customer's Own Leather (COL) requires 9 square feet. See Order Information in appendices.

#### Dimensions



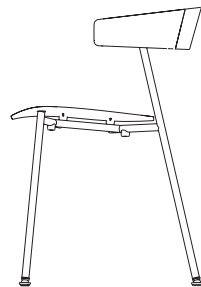
21 1/8"

20 1/8"



29 1/2"

19"



19 1/2"

### Specification Information

#### Step 1.

**SVM**

#### Step 2. Seat/Back

**U** upholstered seat, wood back

**W** wood seat and back

**P** polyurethane seat and back

#### Step 3. Wood Species

**A** ash

**W** walnut

#### Prices for Steps 1-3.

<b>SVMUA</b>	\$985
<b>SVMUW</b>	\$1285
<b>SVMWA</b>	\$885
<b>SVMWW</b>	\$1185
<b>SVMP</b>	\$585

#### Step 4. Frame Finish

<b>BK</b> black <input type="checkbox"/>	+\$0
<b>SAC</b> satin chrome <input type="checkbox"/>	+\$84



# Leeway™ Metal Frame Side Chair

continued

## Step 5. Seat/Back Finish

*For upholstered seat, wood back (U) or wood seat and back (W) with ash (A)*

<b>940</b>	sundance cherry on maple, low sheen <input type="checkbox"/> A	+\$0
<b>943</b>	caramel cherry, low sheen <input type="checkbox"/> A	+\$0
<b>946</b>	cocoa cherry, low sheen <input type="checkbox"/> A	+\$0
<b>956</b>	cocoa sapele, low sheen <input type="checkbox"/> A	+\$0
<b>962</b>	toasted walnut, low sheen <input type="checkbox"/> A	+\$0
<b>963</b>	charred walnut, low sheen <input type="checkbox"/> A	+\$0
<b>964</b>	bronzed walnut, low sheen <input type="checkbox"/> A	+\$0
<b>965</b>	smoked walnut, low sheen <input type="checkbox"/> A	+\$0
<b>966</b>	coffee walnut, low sheen <input type="checkbox"/> A	+\$0
<b>967</b>	smoked paldao, low sheen <input type="checkbox"/> A	+\$0
<b>969</b>	warm paldao, low sheen <input type="checkbox"/> A	+\$0
<b>96A</b>	recograin frosty ash, low sheen <input type="checkbox"/> A	+\$0
<b>96G</b>	recograin wenge, low sheen <input type="checkbox"/> A	+\$0
<b>96W</b>	recograin walnut, low sheen <input type="checkbox"/> A	+\$0
<b>977</b>	chocolate ash, low sheen <input type="checkbox"/> A	+\$0
<b>98R</b>	recograin rosewood, low sheen <input type="checkbox"/> A	+\$0
<b>98W</b>	recograin walnut, low sheen <input type="checkbox"/> A	+\$0
<b>991</b>	champagne ash, low sheen <input type="checkbox"/> A	+\$0
<b>998</b>	ebony ash, low sheen <input type="checkbox"/> A	+\$0
<b>99G</b>	recograin wenge, low sheen <input type="checkbox"/> A	+\$0
<b>99R</b>	recograin rosewood, low sheen <input type="checkbox"/> A	+\$0
<b>99T</b>	recograin teak, low sheen <input type="checkbox"/> A	+\$0
<b>99W</b>	recograin walnut, low sheen <input type="checkbox"/> A	+\$0
<b>9A1</b>	white ash, low sheen <input type="checkbox"/> A	+\$0
<b>9K1</b>	rift oak, low sheen <input type="checkbox"/> A	+\$0
<b>9K6</b>	burnt oak, low sheen <input type="checkbox"/> A	+\$0
<b>ED</b>	aged cherry, low sheen <input type="checkbox"/> A	+\$0
<b>EK</b>	medium red walnut, low sheen <input type="checkbox"/> A	+\$0
<b>G2U</b>	light brown walnut, low sheen <input type="checkbox"/> A	+\$0
<b>G40</b>	dark brown walnut, low sheen <input type="checkbox"/> A	+\$0
<b>UX</b>	walnut on cherry, low sheen <input type="checkbox"/> A	+\$0

*For upholstered seat, wood back (U) or wood seat and back (W) with ash (A)*

<b>662</b>	toasted walnut, matte sheen <input type="checkbox"/> A	+\$0
<b>663</b>	charred walnut, matte sheen <input type="checkbox"/> A	+\$0
<b>664</b>	bronzed walnut, matte sheen <input type="checkbox"/> A	+\$0
<b>665</b>	smoked walnut, matte sheen <input type="checkbox"/> A	+\$0
<b>666</b>	coffee walnut, matte sheen <input type="checkbox"/> A	+\$0
<b>667</b>	smoked paldao, matte sheen <input type="checkbox"/> A	+\$0
<b>669</b>	warm paldao, matte sheen <input type="checkbox"/> A	+\$0
<b>66A</b>	recograin frosty ash, matte sheen <input type="checkbox"/> A	+\$0
<b>66G</b>	recograin wenge, matte sheen <input type="checkbox"/> A	+\$0
<b>66W</b>	recograin walnut, matte sheen <input type="checkbox"/> A	+\$0
<b>677</b>	chocolate ash, matte sheen <input type="checkbox"/> A	+\$0
<b>68R</b>	recograin rosewood, matte sheen <input type="checkbox"/> A	+\$0
<b>68W</b>	recograin walnut, matte sheen <input type="checkbox"/> A	+\$0
<b>69A</b>	recograin frosty ash, matte sheen <input type="checkbox"/> A	+\$0
<b>69G</b>	recograin wenge, matte sheen <input type="checkbox"/> A	+\$0
<b>69R</b>	recograin rosewood, matte sheen <input type="checkbox"/> A	+\$0
<b>69T</b>	recograin teak, matte sheen <input type="checkbox"/> A	+\$0
<b>69W</b>	recograin walnut, matte sheen <input type="checkbox"/> A	+\$0
<b>6A1</b>	white ash, matte sheen <input type="checkbox"/> A	+\$0
<b>6ET</b>	clear on ash, matte sheen <input type="checkbox"/> A	+\$0
<b>6EU</b>	clear on oak, matte sheen <input type="checkbox"/> A	+\$0
<b>6EV</b>	walnut on ash, matte sheen <input type="checkbox"/> A	+\$0
<b>6K1</b>	rift oak, matte sheen <input type="checkbox"/> A	+\$0
<b>6K6</b>	burnt oak, matte sheen <input type="checkbox"/> A	+\$0
<b>ET</b>	clear on ash, matte sheen <input type="checkbox"/> A	+\$0
<b>EU</b>	oak on ash, matte sheen <input type="checkbox"/> A	+\$0
<b>EV</b>	walnut on ash, matte sheen <input type="checkbox"/> A	+\$0
<b>GOU</b>	walnut, matte sheen <input type="checkbox"/> A	+\$0

# Leeway™ Metal Frame Side Chair

continued

Herman Miller Collection—Side & Stacking Chairs

*For upholstered seat, wood back (U) or wood seat and back (W) with walnut (W)*

<b>962</b>	toasted walnut, low sheen	<input type="checkbox"/>	+\$0
<b>963</b>	charred walnut, low sheen	<input type="checkbox"/>	+\$0
<b>964</b>	bronzed walnut, low sheen	<input type="checkbox"/>	+\$0
<b>965</b>	smoked walnut, low sheen	<input type="checkbox"/>	+\$0
<b>966</b>	coffee walnut, low sheen	<input type="checkbox"/>	+\$0
<b>967</b>	smoked paldao, low sheen	<input type="checkbox"/>	+\$0
<b>969</b>	warm paldao, low sheen	<input type="checkbox"/>	+\$0
<b>96G</b>	recograin wenge, low sheen	<input type="checkbox"/>	+\$0
<b>972</b>	sundance walnut, low sheen	<input type="checkbox"/>	+\$0
<b>98R</b>	recograin rosewood, low sheen	<input type="checkbox"/>	+\$0
<b>99G</b>	recograin wenge, low sheen	<input type="checkbox"/>	+\$0
<b>99R</b>	recograin rosewood, low sheen	<input type="checkbox"/>	+\$0
<b>EK</b>	medium red walnut, low sheen	<input type="checkbox"/>	+\$0
<b>G2U</b>	light brown walnut, low sheen	<input type="checkbox"/>	+\$0
<b>G40</b>	dark brown walnut, low sheen	<input type="checkbox"/>	+\$0

*For upholstered seat, wood back (U) or wood seat and back (W) with walnut (W)*

<b>662</b>	toasted walnut, matte sheen	<input type="checkbox"/>	+\$0
<b>663</b>	charred walnut, matte sheen	<input type="checkbox"/>	+\$0
<b>664</b>	bronzed walnut, matte sheen	<input type="checkbox"/>	+\$0
<b>665</b>	smoked walnut, matte sheen	<input type="checkbox"/>	+\$0
<b>666</b>	coffee walnut, matte sheen	<input type="checkbox"/>	+\$0
<b>667</b>	smoked paldao, matte sheen	<input type="checkbox"/>	+\$0
<b>669</b>	warm paldao, matte sheen	<input type="checkbox"/>	+\$0
<b>66G</b>	recograin wenge, matte sheen	<input type="checkbox"/>	+\$0
<b>68R</b>	recograin rosewood, matte sheen	<input type="checkbox"/>	+\$0
<b>69G</b>	recograin wenge, matte sheen	<input type="checkbox"/>	+\$0
<b>69R</b>	recograin rosewood, matte sheen	<input type="checkbox"/>	+\$0
<b>6EV</b>	walnut on ash, matte sheen	<input type="checkbox"/>	+\$0
<b>EV</b>	walnut on ash, matte sheen	<input type="checkbox"/>	+\$0
<b>GOU</b>	walnut, matte sheen	<input type="checkbox"/>	+\$0

*For polyurethane seat and back (P)*

<b>BK</b>	black	<input type="checkbox"/>	+\$0
-----------	-------	--------------------------	------

Step 6. Fabric

*For upholstered seat, wood back (U)*

Price Category (Geiger) COL	<input type="checkbox"/>	+\$36
Price Category (Geiger) COM	<input type="checkbox"/>	+\$0
Price Category 1		+\$0
Price Category 2		+\$24
Price Category (Geiger) 3		+\$30
Price Category 3		+\$30
Price Category (Geiger) 4		+\$36
Price Category (Geiger) 5		+\$53
Price Category 5		+\$53
Price Category (Geiger) 6		+\$69
Price Category (Geiger) 7		+\$86
Price Category (Geiger) 8		+\$131
Price Category 9		+\$163
Price Category (Geiger) 10		+\$187
Price Category (Geiger) 11		+\$210
Price Category 11		+\$210
Price Category (Geiger) 14		+\$275
Price Category (Geiger) C		+\$27
Price Category (Geiger) D		+\$35
Price Category (Geiger) E		+\$43
Price Category (Geiger) G		+\$70
Price Category (Geiger) H		+\$87
Price Category (Geiger) J		+\$123
Price Category (Geiger) K		+\$141
Price Category (Geiger) L		+\$159
Price Category (Geiger) M		+\$177

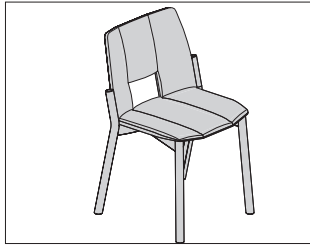
Step 7. Fire Retardancy

*For upholstered seat, wood back (U)*

<b>NOCAL</b>	not fire retardant	<input type="checkbox"/>	+\$0
<b>133</b>	cal-133 required	<input type="checkbox"/>	+\$33

# Tronco Upholstered Chair

MC12.

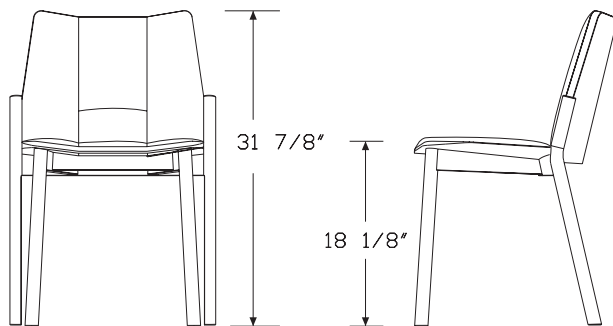
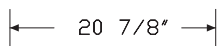
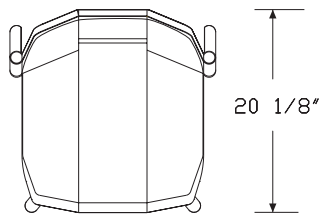


## Product Information

### Description

This chair has an ash frame in a range of finishes with an upholstered seat and back. Chair stacks up to 5 high on the floor or up to 10 high on appropriate dolly.

### Dimensions



## Specification Information

### Step 1.

**MC12.**  A \$1760

### Step 2. Frame

**YSA** ash +\$0

### Step 3. Finish

**YNL** natural  A +\$0

**YBC** black +\$0

**YBP** white  A +\$0

**YRL** red  A +\$0

**WNS** walnut stained  A +\$0

**CNS** chestnut stained  A +\$0

### Step 4. Fabric

**YDG01** topia ebony  A +\$0

**YDG04** topia moon  A +\$0

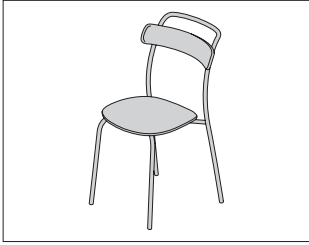
**YDG11** topia walnut  A +\$0

**YDG12** topia chili  A +\$0

**YDG13** topia palm  A +\$0

# Forcina Chair

MC16C.



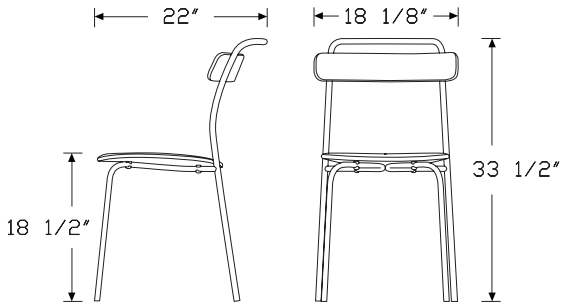
Herman Miller Collection—Side & Stacking Chairs

## Product Information

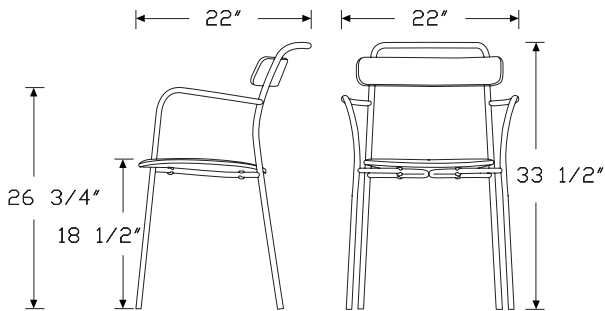
### Description

This chair has seat and back in ash or oak and comes with or without arms. Chair stacks up to 3 high. Ships assembled.

### Dimensions



Chair, No Arms



Chair, Arms

## Specification Information

### Step 1.

**MC16C.**  A

### Step 2. Arms

<b>A</b>	arms <input type="checkbox"/> A	+\$1195
<b>N</b>	no arms <input type="checkbox"/> A	+\$995

### Step 3. Frame Finish

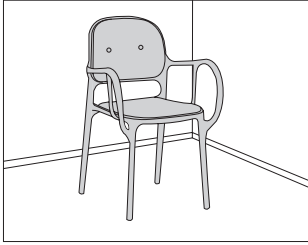
<b>A</b>	black stainless steel <input type="checkbox"/> A	+\$0
<b>N</b>	brushed stainless steel <input type="checkbox"/> A	+\$330

### Step 4. Seat and Back Finish

<b>YQB</b>	black anilin ash <input type="checkbox"/> A	+\$0
<b>YQC</b>	natural ash <input type="checkbox"/> A	+\$0
<b>YFC</b>	natural oak <input type="checkbox"/> A	+\$100

# Milà Upholstered Chair

SD210

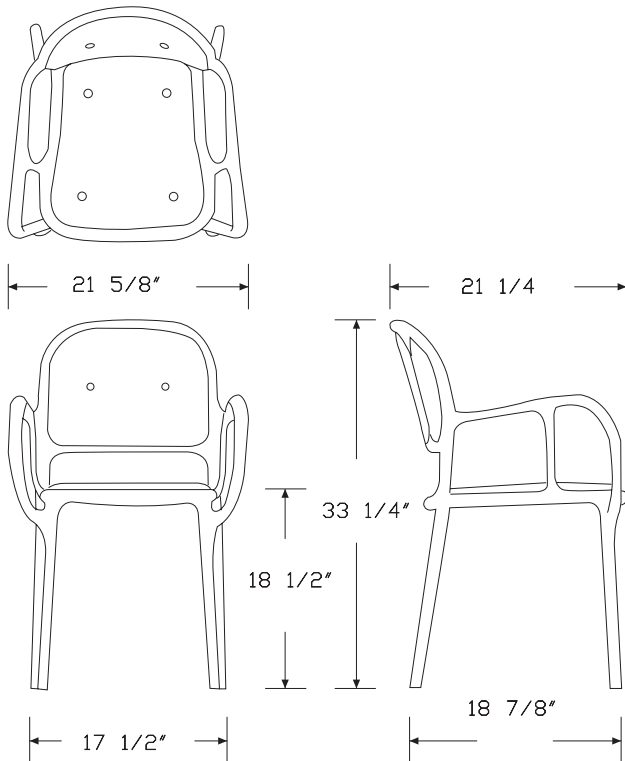


## Product Information

### Description

This plastic chair has an upholstered seat pad or upholstered seat and back. Package contains 2 chairs.

### Dimensions



## Specification Information

### Step 1.

**SD210**  A

### Step 2. Upholstery

**5** seat/back upholstery  A

**6** seat pad only  A

### Prices for Steps 1-2.

<b>SD210 5</b>	\$1620
<b>6</b>	\$1400

### Step 3. Finish

<b>1484C</b> red <input type="checkbox"/> A	+\$0
<b>1556C</b> dark green <input type="checkbox"/> A	+\$0
<b>1666C</b> yellow <input type="checkbox"/> A	+\$0
<b>1733C</b> beige <input type="checkbox"/> A	+\$0
<b>1738C</b> white <input type="checkbox"/> A	+\$0
<b>1769C</b> black <input type="checkbox"/> A	+\$0

### Step 4. Fabric

#### For red (1484C)

**F-130** KingLKat red  A +\$0

#### For dark green (1556C)

**F-359** KingLKat green  A +\$0

#### For yellow (1666C)

**F-579** KingLKat yellow  A +\$0

#### For beige (1733C)

**F-459** KingLKat beige  A +\$0

#### For white (1738C)

**F-739** KingLKat white  A +\$0

#### For black (1769C)

**F-198** KingLKat black  A +\$0

Eames® Aluminum Group Lounge Chair

EA316  
EA322



HermanMiller Collection—Lounge Seating

**Product Information**

**Description**

This low-back chair has a lightweight aluminum frame with suspended upholstery. It has a 4-star base with 1/2" (GD) glides for hard floors or carpet, swivel mechanism, and fixed seat height.

**Notes**

Chair is tested and warranted for use by persons 300 pounds and under. When chair is specified with Cygnus™ mesh, it meets CAL 133 requirements.

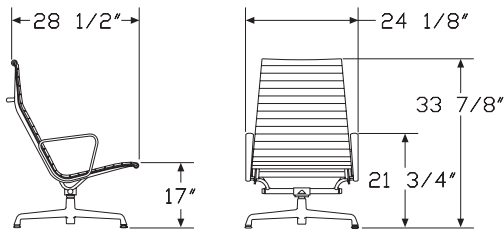
For description of glide, see Casters and Glides in Appendices.

For chair without headrest (EA316), Customer's Own Material (COM) requires 1 3/4 yards. Customer's Own Leather (COL) requires 55 square feet. See Order Information in Appendices.

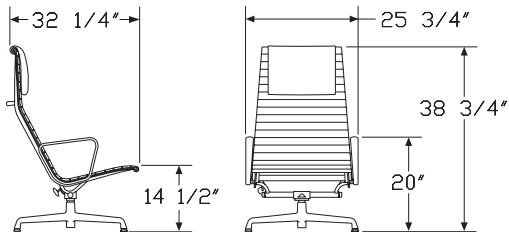
For chair with headrest (EA322), Customer's Own Material (COM) requires 3 yards. Customer's Own Leather (COL) requires 55 square feet. See Order Information in Appendices.

**Dimensions**

Swivel



Tilt Swivel



**Specification Information**

**Step 1.**

**EA3** [A]

**Step 2. Tilt/Arms**

**16** swivel and arms [A]

**22** tilt swivel, arms, and headrest [A]

**Prices for Steps 1-2.**

<b>EA316</b>	\$1995
<b>EA322</b>	\$2160

**Step 3. Base/Frame Finish**

<b>L</b>	polished aluminum [A]	+\$0
<b>BK</b>	black [A]	+\$133
<b>G2</b>	graphite satin [A]	+\$133
<b>91</b>	white [A]	+\$133

**Step 4. Fabric**

*For swivel and arms (16)*

Price Category 1	+\$0
Price Category 2	+\$55
Price Category 3	+\$125
Price Category 4	+\$179
Price Category (Geiger) 4	+\$179
Price Category 5	+\$199
Price Category (Geiger) 5	+\$199
Price Category 6	+\$242
Price Category 7 [A]	+\$240
Price Category (Geiger) 7	+\$240
Price Category 9	+\$621
Price Category (Geiger) 10	+\$702
Price Category 10M	+\$935
Price Category 11	+\$826
Price Category B	+\$57
Price Category C	+\$80
Price Category D	+\$103
Price Category E	+\$124
Price Category F	+\$161
Price Category G	+\$209
Price Category H	+\$254
Price Category I	+\$298
Price Category J	+\$343
Price Category K	+\$387
Price Category L	+\$432

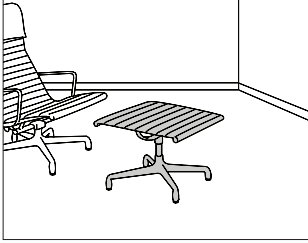
# Eames® Aluminum Group Lounge Chair *continued*

*For tilt swivel, arms, and headrest (22)*

Price Category 1	+\$0
Price Category 2	+\$55
Price Category 3	+\$125
Price Category 4	+\$179
Price Category (Geiger) 4	+\$179
Price Category 5	+\$199
Price Category (Geiger) 5	+\$199
Price Category 6	+\$415
Price Category 7	+\$240
Price Category 9	+\$621
Price Category (Geiger) 10	+\$950
Price Category 10M	+\$1039
Price Category 11	+\$826
Price Category B	+\$57
Price Category C	+\$80
Price Category D	+\$103
Price Category E	+\$124
Price Category F	+\$161
Price Category G	+\$209
Price Category H	+\$254
Price Category I	+\$298
Price Category J	+\$343
Price Category K	+\$387
Price Category L	+\$432

Eames® Aluminum Group  
Ottoman

EA323



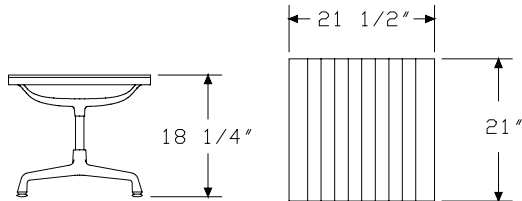
HermanMiller Collection—Lounge Seating

**Product Information**

**Description**  
This upholstered ottoman has a lightweight aluminum frame and 1/2" (GD) glides for hard floors or carpet.

**Notes**  
When ottoman is specified with Cygnus™ mesh, it meets CAL 133 requirements.  
For description of glides, see Casters and Glides in Appendices.  
Customer's Own Material (COM) requires 1 yard. Customer's Own Leather (COL) requires 20 square feet. See Order Information in Appendices.

**Dimensions**



**Specification Information**

**Step 1.**  
EA323 [A] \$960

**Step 2. Base/Frame Finish**

<b>L</b>	polished aluminum [A]	+\$0
<b>BK</b>	black [A]	+\$69
<b>G2</b>	graphite satin [A]	+\$69
<b>91</b>	white [A]	+\$69

**Step 3. Fabric**  
*See application chart and textiles list for fabric usage and numbers. First 2 digits of number indicate fabric line; remaining digit(s) indicate fabric color.*

Price Category 1	+\$0
Price Category 2	+\$29
Price Category 3	+\$55
Price Category 4	+\$83
Price Category (Geiger) 4	+\$83
Price Category 5	+\$104
Price Category (Geiger) 5	+\$0
Price Category 6	+\$125
Price Category 7 [A]	+\$109
Price Category (Geiger) 7	+\$109
Price Category 9	+\$281
Price Category (Geiger) 10	+\$320
Price Category 10M	+\$374
Price Category 11	+\$332
Price Category B	+\$29
Price Category C	+\$43
Price Category D	+\$59
Price Category E	+\$71
Price Category F	+\$92
Price Category G	+\$119
Price Category H	+\$145
Price Category I	+\$170
Price Category J	+\$196
Price Category K	+\$221
Price Category L	+\$247



# Eames® Soft Pad Lounge Chair

EA416  
EA422



## Product Information

### Description

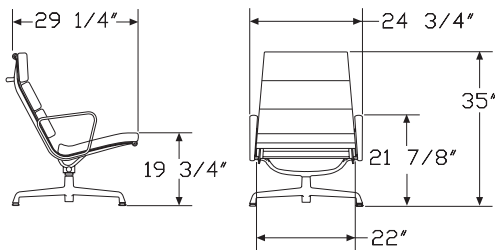
This high-back chair has a lightweight aluminum frame and 2"-thick upholstered foam cushions. It has a 4-star base with 1/2" (GD) glides for hard floors or carpet and a fixed seat height.

### Notes

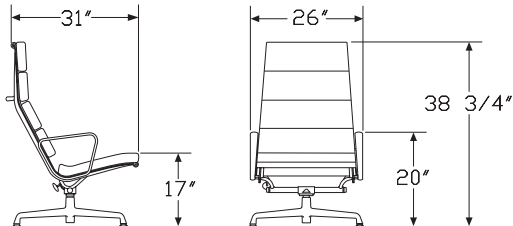
Chair is tested and warranted for use by persons 300 pounds and under. For description of glides, see Casters and Glides in Appendices. Customer's Own Material (COM) requires 3 yards for 3-cushion chair and 4 yards for 4-cushion chair. Customer's Own Leather (COL) requires 56 square feet for 3-cushion chair and 63 square feet for 4-cushion chair. See Order Information in Appendices.

### Dimensions

#### Swivel



#### Tilt Swivel



## Specification Information

### Step 1.

**EA4**  A

### Step 2. Tilt/Number of Cushions/Arms

**16** swivel, 3 cushions, and arms  A

**22** tilt swivel, 4 cushions, and arms  A

### Prices for Steps 1-2.

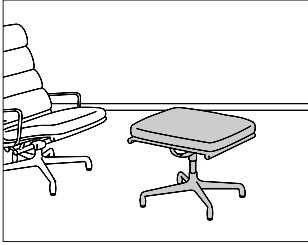
<b>EA416</b>	\$3470
<b>EA422</b>	\$3520

### Step 3. Base/Frame Finish

<b>L</b> polished aluminum <input type="checkbox"/> A	+ \$0
<b>BK</b> black <input type="checkbox"/> A	+ \$133
<b>G2</b> graphite satin <input type="checkbox"/> A	+ \$133
<b>91</b> white <input type="checkbox"/> A	+ \$133

### Step 4. Fabric

Price Category 1	+ \$0
Price Category 2	+ \$70
Price Category 3	+ \$164
Price Category (Geiger) 3	+ \$164
Price Category 4	+ \$262
Price Category 5	+ \$329
Price Category (Geiger) 5	+ \$329
Price Category 6	+ \$339
Price Category 7	+ \$349
Price Category (Geiger) 7	+ \$349
Price Category 9	+ \$630
Price Category (Geiger) 10	+ \$649
Price Category 10M	+ \$1094
Price Category 11	+ \$936
Price Category B	+ \$99
Price Category C	+ \$139
Price Category D	+ \$176
Price Category E	+ \$213
Price Category F	+ \$275
Price Category G	+ \$358
Price Category H	+ \$435
Price Category I	+ \$511
Price Category J	+ \$588
Price Category K	+ \$664
Price Category L	+ \$740
Price Category M	+ \$817
Price Category N	+ \$893
Price Category P	+ \$1046



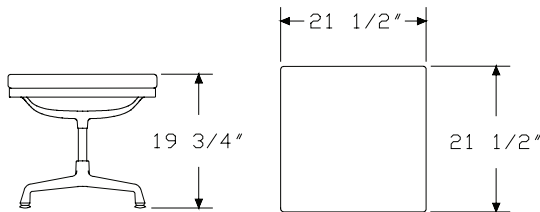
HermanMiller Collection—Lounge Seating

**Product Information**

**Description**  
 This ottoman has a lightweight aluminum frame, a 2"-thick upholstered foam cushion, and 1/2" (GD) glides for hard floors or carpet.

**Notes**  
 For description of glides, see Casters and Glides in Appendices.  
 Customer's Own Material (COM) requires 1 1/4 yards. Customer's Own Leather (COL) requires 27 square feet. See Order Information in Appendices.

**Dimensions**



**Specification Information**

**Step 1.**  
**EA423** [A] \$1470

**Step 2. Base/Frame Finish**

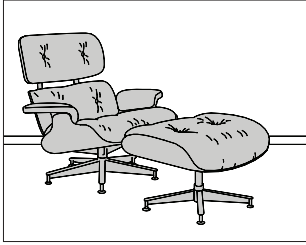
<b>L</b>	polished aluminum [A]	+\$0
<b>BK</b>	black [A]	+\$69
<b>G2</b>	graphite satin [A]	+\$69
<b>91</b>	white [A]	+\$69

**Step 3. Fabric**  
 See application chart and textiles list for fabric usage and numbers.  
 First 2 digits of number indicate fabric line; remaining digit(s) indicate fabric color.

Price Category 1	+\$0
Price Category 2	+\$69
Price Category 3	+\$104
Price Category (Geiger) 3	+\$104
Price Category 4	+\$130
Price Category 5	+\$143
Price Category (Geiger) 5	+\$143
Price Category 6	+\$160
Price Category 7	+\$139
Price Category (Geiger) 7	+\$139
Price Category 9	+\$308
Price Category (Geiger) 10	+\$348
Price Category 10M	+\$527
Price Category 11	+\$440
Price Category B	+\$36
Price Category C	+\$56
Price Category D	+\$74
Price Category E	+\$88
Price Category F	+\$115
Price Category G	+\$149
Price Category H	+\$181
Price Category I	+\$213
Price Category J	+\$245
Price Category K	+\$277
Price Category L	+\$309
Price Category M	+\$340
Price Category N	+\$372
Price Category P	+\$436

# Eames® Lounge Chair and Ottoman

ES670



## Product Information

### Description

This fixed-height chair has a molded veneer seat and back shell; the ottoman has a molded veneer shell. Both the chair and ottoman have foam cushions with leather upholstery and a black enameled base with polished aluminum accents. The chair has a swivel mechanism.

### Notes

Santos palisander veneer is celebrated for its unique grain and color variations. Similar products ordered in multiples or dissimilar products ordered separately should be expected to have variation in both grain and color characteristics.

The Eames® Lounge is handcrafted and should be celebrated as such.

No two chairs are alike.

Dimensions should be noted as reference guides and can vary up to  $\frac{3}{4}$ ".

See illustration with dimensional chart for standard and tall versions.

Description of dimensions is below.

Given the degree of variation, below are the exact points from which dimensions are taken (reference to panel relates to the wood panel of chair shell):

A—Overall Depth is taken from front of seat panel to top of back panel.

B—Sit Height is taken from highest point of seat cushion to the floor.

C—Overall Width is measured from the outside edge of each arm rest.

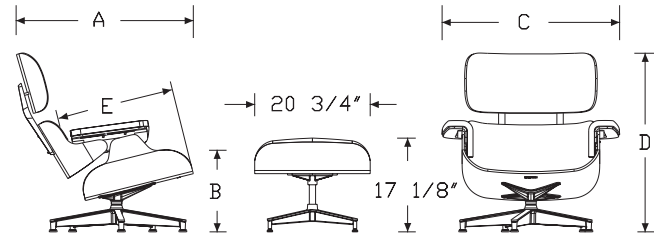
D—Overall Height is measured from top of back panel to the floor.

E—Seat Depth is taken from where seat cushion meets bottom back

panel cushion to front of seat panel.

Customer's Own Leather (COL) for the classic size (ES67071) requires 55 square feet, and for the tall size (ES67071T) requires 70 square feet. See Order Information in Appendices.

## Dimensions



Size	A	B	C	D	E
Classic	35"	16"	33 1/2"	31 1/2"	21 1/4"
Tall	37 3/4"	16 1/2"	33 1/2"	33 1/4"	23 1/4"

# Eames® Lounge Chair and Ottoman *continued*

## Specification Information

### Step 1.

**ES6707** A

### Step 2. Size

**1** classic A

**1T** tall A

### Prices for Steps 1-2.

<b>ES6707 1</b>	\$5298
<b>1T</b>	\$5527

### Step 3. Shell Finish

<b>OU</b> walnut <span style="border: 1px solid black; padding: 0 2px;">A</span>	+\$0
<b>5Q</b> oiled walnut <span style="border: 1px solid black; padding: 0 2px;">A</span>	+\$979
<b>9N</b> santos palisander <span style="border: 1px solid black; padding: 0 2px;">A</span>	+\$1014
<b>5D</b> oiled santos palisander <span style="border: 1px solid black; padding: 0 2px;">A</span>	+\$1977

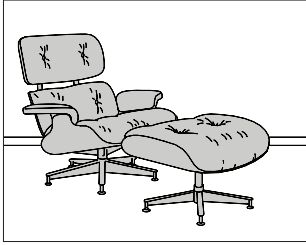
### Step 4. Material

*See application chart and textiles list for fabric usage and numbers.  
First 2 digits of number indicate fabric line; remaining digit(s) indicate fabric color.*

Price Category 7 <span style="border: 1px solid black; padding: 0 2px;">A</span>	+\$300
Price Category 9	+\$612
Price Category (Geiger) 10	+\$768
Price Category 10M	+\$1383
Price Category 11	+\$893
Price Category (Geiger) 11	+\$924
Price Category L	+\$1225

Eames® Lounge Chair and Ottoman, Ebony

ES670



**Product Information**

**Description**

This fixed-height chair and ottoman has a molded ebony ash plywood shell and foam cushions with black leather upholstery. The chair base, back supports, and ottoman base are black enamel with aluminum accents. The chair has a swivel mechanism.

**Notes**

The Eames® Lounge is handcrafted and should be celebrated as such.

No two chairs are alike.

Dimensions should be noted as reference guides and can vary up to 3/4".

See illustration with dimensional chart for standard and tall versions.

Description of dimensions is below.

Given the degree of variation, below are the exact points from which dimensions are taken (reference to panel relates to the wood panel of chair shell):

A—Overall Depth is taken from front of seat panel to top of back panel.

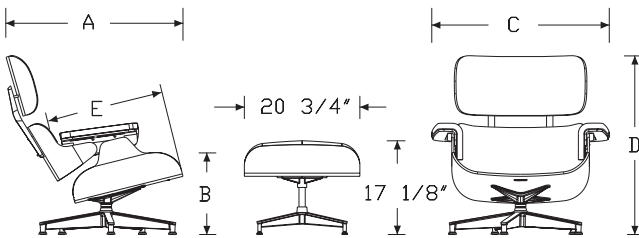
B—Sit Height is taken from highest point of seat cushion to the floor.

C—Overall Width is measured from the outside edge of each arm rest.

D—Overall Height is measured from top of back panel to the floor.

E—Seat Depth is taken from where seat cushion meets bottom back panel cushion to front of seat panel.

**Dimensions**



Size	A	B	C	D	E
Classic	35"	16"	33 1/2"	31 1/2"	21 1/4"
Tall	37 3/4"	16 1/2"	33 1/2"	33 1/4"	23 1/4"

**Specification Information**

**Step 1.**

**ES67071E**  A

**Step 2. Size**

**N** classic  A

**NT** tall  A

**Prices for Steps 1-2.**

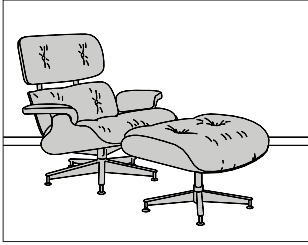
<b>ES67071E N</b>	\$5807
<b>NT</b>	\$6013

**Step 3. Material**

Price Category 11	+\$893
Price Category L	+\$1225

# Eames® Lounge Chair and Ottoman White Ash

ES670



HermanMiller Collection—Lounge Seating

## Product Information

### Description

This fixed-height chair and ottoman has a molded white ash plywood shell and foam cushions with white leather upholstery. The chair base, back supports, and ottoman base are white enamel with aluminum accents. The chair has a swivel mechanism.

### Notes

The Eames® Lounge is handcrafted and should be celebrated as such.

No two chairs are alike.

Dimensions should be noted as reference guides and can vary up to  $\frac{3}{4}$ ".

See illustration with dimensional chart for standard and tall versions.

Description of dimensions is below.

Given the degree of variation, below are the exact points from which dimensions are taken (reference to panel relates to the wood panel of chair shell):

A—Overall Depth is taken from front of seat panel to top of back panel.

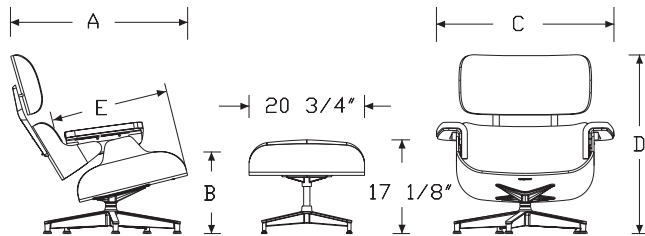
B—Sit Height is taken from highest point of seat cushion to the floor.

C—Overall Width is measured from the outside edge of each arm rest.

D—Overall Height is measured from top of back panel to the floor.

E—Seat Depth is taken from where seat cushion meets bottom back panel cushion to front of seat panel.

## Dimensions



Size	A	B	C	D	E
Classic	35"	16"	33 1/2"	31 1/2"	21 1/4"
Tall	37 3/4"	16 1/2"	33 1/2"	33 1/4"	23 1/4"

## Specification Information

### Step 1.

**ES67071R**  A

### Step 2. Size

**E** classic  A

**ET** tall  A

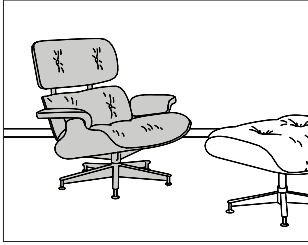
### Prices for Steps 1-2.

<b>ES67071R E</b>	\$5807
<b>ET</b>	\$6013

### Step 3. Material

Price Category 11 +\$893

Price Category L +\$1225



**Product Information**

**Description**

This fixed-height chair has a molded veneer seat and back shell. It has foam cushions with leather upholstery, a black enameled base with polished aluminum accents, and a swivel mechanism.

**Notes**

Santos palisander veneer is celebrated for its unique grain and color variations. Similar products ordered in multiples or dissimilar products ordered separately should be expected to have variation in both grain and color characteristics.

The Eames® Lounge is handcrafted and should be celebrated as such.

No two chairs are alike.

Dimensions should be noted as reference guides and can vary up to  $\frac{3}{4}$ ".

See illustration with dimensional chart for standard and tall versions.

Description of dimensions is below.

Given the degree of variation, below are the exact points from which dimensions are taken (reference to panel relates to the wood panel of chair shell):

A—Overall Depth is taken from front of seat panel to top of back panel.

B—Sit Height is taken from highest point of seat cushion to the floor.

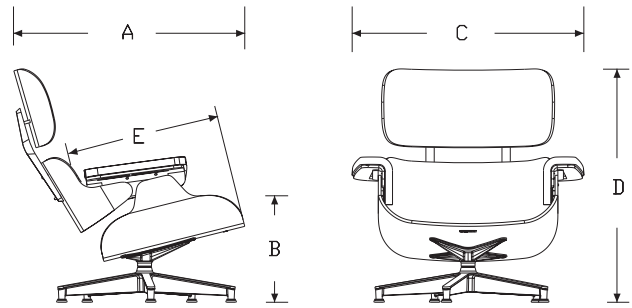
C—Overall Width is measured from the outside edge of each arm rest.

D—Overall Height is measured from top of back panel to the floor.

E—Seat Depth is taken from where seat cushion meets bottom back panel cushion to front of seat panel.

Customer's Own Leather (COL) for the classic size (ES670) requires 40 square feet, and for the tall size (ES670T) requires 55 square feet. See Order Information in appendices.

**Dimensions**



Size	A	B	C	D	E
Classic	35"	16"	33 1/2"	31 1/2"	21 1/4"
Tall	37 3/4"	16 1/2"	33 1/2"	33 1/4"	23 1/4"

**Specification Information**

Step 1.

**ES67**  A

Step 2. Size

**0** classic  A

**0T** tall  A

Prices for Steps 1-2.

<b>ES670</b>	\$4264
<b>ES670T</b>	\$4430

Step 3. Shell Finish

**OU** walnut  A +\$0

**5Q** oiled walnut  A +\$731

**9N** santos palisander  A +\$812

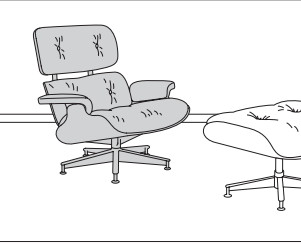
**5D** oiled santos palisander  A +\$1476

Step 4. Material

*See application chart and textiles list for fabric usage and numbers.  
First 2 digits of number indicate fabric line; remaining digit(s) indicate fabric color.*

Price Category 7 <input type="checkbox"/> A	+\$288
Price Category 9	+\$448
Price Category (Geiger) 10	+\$627
Price Category 10M	+\$1014
Price Category 11	+\$651
Price Category (Geiger) 11	+\$672
Price Category L	+\$1000





**Product Information**

**Description**

This fixed-height chair has a molded ebony ash plywood shell and foam cushions with black leather upholstery. The chair base and back supports are black enamel with aluminum accents. The chair has a swivel mechanism.

**Notes**

The Eames® Lounge is handcrafted and should be celebrated as such.

No two chairs are alike.

Dimensions should be noted as reference guides and can vary up to 3/4".

See illustration with dimensional chart for standard and tall versions.

Description of dimensions is below.

Given the degree of variation, below are the exact points from which dimensions are taken (reference to panel relates to the wood panel of chair shell):

A—Overall Depth is taken from front of seat panel to top of back panel.

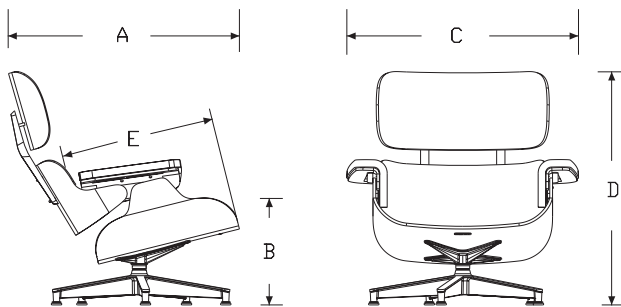
B—Sit Height is taken from highest point of seat cushion to the floor.

C—Overall Width is measured from the outside edge of each arm rest.

D—Overall Height is measured from top of back panel to the floor.

E—Seat Depth is taken from where seat cushion meets bottom back panel cushion to front of seat panel.

**Dimensions**



Size	A	B	C	D	E
Classic	35"	16"	33 1/2"	31 1/2"	21 1/4"
Tall	37 3/4"	16 1/2"	33 1/2"	33 1/4"	23 1/4"

**Specification Information**

**Step 1.**

**ES670**  A

**Step 2. Size**

**EN** classic  A

**ENT** tall  A

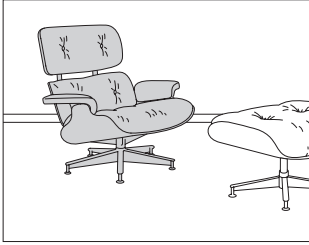
**Prices for Steps 1-2.**

<b>ES670 EN</b>	\$4569
<b>ENT</b>	\$4771

**Step 3. Material**

Price Category 11	+\$651
Price Category L	+\$1000

Eames® Lounge Chair White Ash ES670



HermanMiller Collection—Lounge Seating

**Product Information**

**Description**

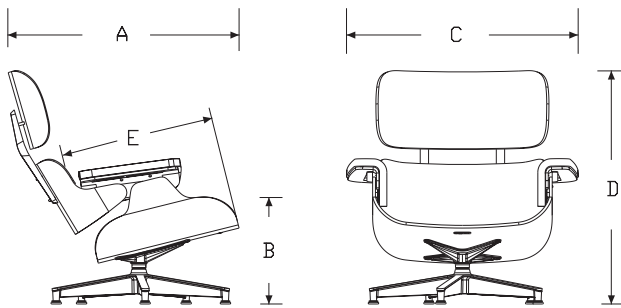
This fixed-height chair has a molded white ash plywood shell and foam cushions with white leather upholstery. The chair base and back supports are white enamel with aluminum accents. The chair has a swivel mechanism.

**Notes**

The Eames® Lounge is handcrafted and should be celebrated as such. No two chairs are alike. Dimensions should be noted as reference guides and can vary up to 3/4". See illustration with dimensional chart for standard and tall versions. Description of dimensions is below. Given the degree of variation, below are the exact points from which dimensions are taken (reference to panel relates to the wood panel of chair shell):

- A—Overall Depth is taken from front of seat panel to top of back panel.
- B—Sit Height is taken from highest point of seat cushion to the floor.
- C—Overall Width is measured from the outside edge of each arm rest.
- D—Overall Height is measured from top of back panel to the floor.
- E—Seat Depth is taken from where seat cushion meets bottom back panel cushion to front of seat panel.

**Dimensions**



Size	A	B	C	D	E
Classic	35"	16"	33 1/2"	31 1/2"	21 1/4"
Tall	37 3/4"	16 1/2"	33 1/2"	33 1/4"	23 1/4"

**Specification Information**

**Step 1.**

**ES670**  A

**Step 2. Size**

**RE** classic  A

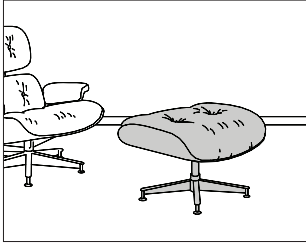
**RET** tall  A

**Prices for Steps 1-2.**

<b>ES670 RE</b>	\$4569
<b>RET</b>	\$4771

**Step 3. Material**

Price Category 11	+\$651
Price Category L	+\$1000



**Product Information**

**Description**

This ottoman has a molded veneer shell, foam cushion with leather upholstery, and black enameled base with polished aluminum accents.

**Notes**

Santos palisander veneer is celebrated for its unique grain and color variations. Similar products ordered in multiples or dissimilar products ordered separately should be expected to have variation in both grain and color characteristics.

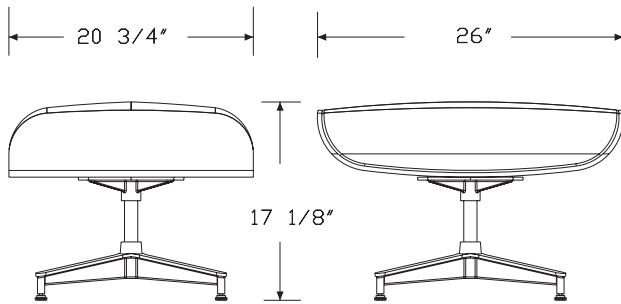
The Eames® Lounge is handcrafted and should be celebrated as such.

No two chairs are alike.

Dimensions should be noted as reference guides and can vary up to 3/4".

Customer's Own Leather (COL) requires 15 square feet. See Order Information in Appendices.

**Dimensions**



**Specification Information**

**Step 1.**

**ES671** A \$1609

**Step 2. Shell Finish**

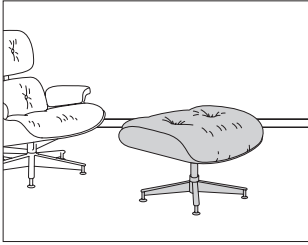
<b>OU</b>	walnut <span style="border: 1px solid black; padding: 0 2px;">A</span>	+\$0
<b>9N</b>	santos palisander <span style="border: 1px solid black; padding: 0 2px;">A</span>	+\$301
<b>5Q</b>	oiled walnut <span style="border: 1px solid black; padding: 0 2px;">A</span>	+\$335
<b>5D</b>	oiled santos palisander <span style="border: 1px solid black; padding: 0 2px;">A</span>	+\$621

**Step 3. Material**

See application chart and textiles list for fabric usage and numbers.

First 2 digits of number indicate fabric line; remaining digit(s) indicate fabric color.

Price Category 7 <span style="border: 1px solid black; padding: 0 2px;">A</span>	+\$107
Price Category 9	+\$164
Price Category (Geiger) 10	+\$208
Price Category 10M	+\$0
Price Category 11	+\$242
Price Category (Geiger) 11	+\$252
Price Category L	+\$400



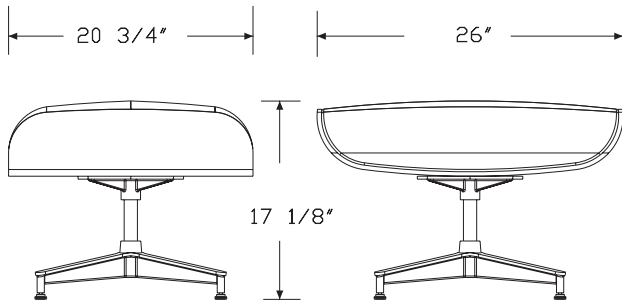
HermanMiller Collection—Lounge Seating

**Product Information**

**Description**  
 This ottoman has a molded ebony ash veneer shell, foam cushion with black leather upholstery, and a black enamel base with aluminum accents.

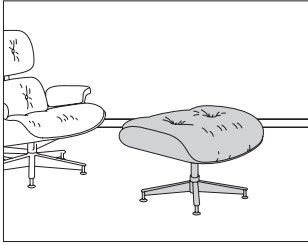
**Notes**  
 The Eames® Lounge is handcrafted and should be celebrated as such.  
 No two chairs are alike.  
 Dimensions should be noted as reference guides and can vary up to 3/4".

**Dimensions**



**Specification Information**

<b>Step 1.</b>	
<b>ES671EN</b> [A]	\$1763
<b>Step 2. Material</b>	
Price Category 11	+\$242
Price Category L	+\$400



**Product Information**

**Description**

This ottoman has a molded plywood shell, foam cushion with white leather upholstery, and a white enamel base with aluminum accents.

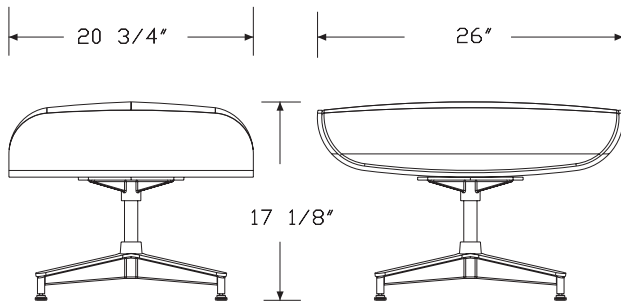
**Notes**

The Eames® Lounge is handcrafted and should be celebrated as such.

No two chairs are alike.

Dimensions should be noted as reference guides and can vary up to 3/4".

**Dimensions**



**Specification Information**

**Step 1.**

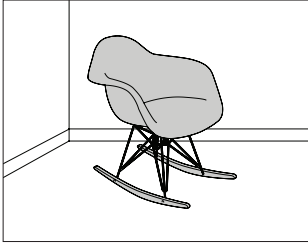
**ES671RE** A \$1763

**Step 2. Material**

Price Category 11 +\$242

Price Category L +\$400

Eames® Molded Plastic Armchair RAR.  
Rocker Base

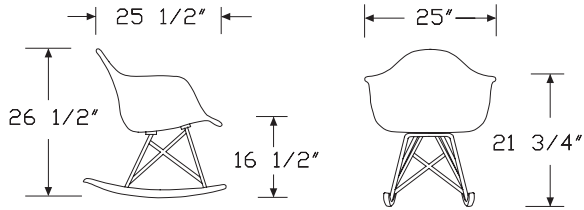


HermanMiller Collection—Lounge Seating

**Product Information**

**Description**  
This chair has a single-piece molded seat and back with arms, waterfall edges, and chrome or black legs with solid-maple or walnut rockers.

**Dimensions**



**Specification Information**

**Step 1.**

**RA**

**Step 2. Base Option**

**R.** rocker base with nonupholstered shell

**Prices for Steps 1-2.**

**RAR.** \$666

**Step 3. Base Finish**

**91** white  +\$0

**BK** black  +\$0

**47** trivalent chrome  +\$20

**Step 4. Rocker Finish**

**UL** natural maple  +\$0

**A2** white ash  +\$30

**OU** walnut  +\$30

**Step 5. Seat/Back Finish**

**4T** aqua sky  +\$0

**5B** java  +\$0

**9J** sparrow  +\$0

**BLE** blue ice  +\$0

**BLH** blush  +\$0

**CHL** charcoal  +\$0

**KGR** kelly green  +\$0

**PBL** peacock blue  +\$0

**PYW** pale yellow  +\$0

**STN** stone  +\$0

**ZA** black  +\$0

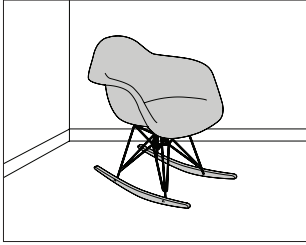
**ZE** red orange  +\$0

**ZF** white  +\$0

**ZM** alpine  +\$0

Eames® Upholstered Molded Plastic Armchair Rocker Base

RAR.

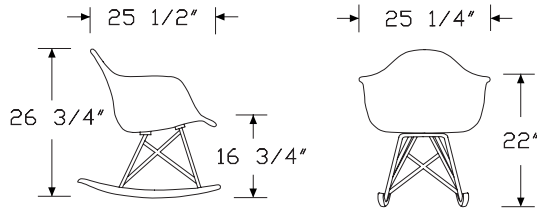


**Product Information**

**Description**

This chair has a single-piece molded plastic shell with waterfall edges and upholstered seat, back, and arms or an upholstered seat pad. Legs are chrome, black or white with solid maple, ash or walnut rockers.

**Dimensions**



**Specification Information**

**Step 1.**

**RA**

**Step 2. Base and Upholstery Option**

**R.** rocker base

**Step 3. Upholstery**

**U** fully upholstered shell

**P** upholstered seat pad

**Prices for Steps 1-3.**

<b>RAR. U</b>	\$830
<b>P</b>	\$790

**Step 4. Base Finish**

<b>91</b> white	+\$0
<b>BK</b> black	+\$0
<b>47</b> trivalent chrome	+\$20

**Step 5. Rocker Finish**

<b>UL</b> natural maple <input type="checkbox"/>	+\$0
<b>A2</b> white ash <input type="checkbox"/>	+\$30
<b>OU</b> walnut <input type="checkbox"/>	+\$30

**Step 6. Back Finish**

<b>4T</b> aqua sky <input type="checkbox"/>	+\$0
<b>5B</b> java <input type="checkbox"/>	+\$0
<b>9J</b> sparrow <input type="checkbox"/>	+\$0
<b>ZA</b> black <input type="checkbox"/>	+\$0
<b>ZE</b> red orange <input type="checkbox"/>	+\$0
<b>ZF</b> white <input type="checkbox"/>	+\$0
<b>ZM</b> alpine <input type="checkbox"/>	+\$0
<b>PYW</b> pale yellow <input type="checkbox"/>	+\$0
<b>BLE</b> blue ice <input type="checkbox"/>	+\$0
<b>BLH</b> blush <input type="checkbox"/>	+\$0
<b>PBL</b> peacock blue <input type="checkbox"/>	+\$0
<b>STN</b> stone <input type="checkbox"/>	+\$0
<b>KGR</b> kelly green <input type="checkbox"/>	+\$0
<b>CHL</b> charcoal <input type="checkbox"/>	+\$0

**Step 7. Edge Finish**

*For fully upholstered shell (U)*

<b>111</b> parchment <input type="checkbox"/>	+\$0
<b>BK</b> black <input type="checkbox"/>	+\$0
<b>ZF</b> white <input type="checkbox"/>	+\$0

# Eames® Upholstered Molded Plastic Armchair Rocker Base

continued

HermanMiller Collection—Lounge Seating

---

## Step 8. Fabric

---

### *For fully upholstered shell (U)*

---

Price Category 2	+\$35
Price Category 5	+\$59
Price Category B	+\$0
Price Category G	+\$0
Price Category H	+\$212
Price Category K	+\$380

---

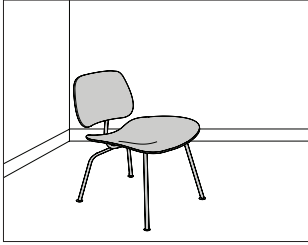
### *For upholstered seat pad (P)*

---

Price Category 1	+\$0
Price Category 2	+\$25
Price Category 4	+\$33
Price Category 5	+\$59
Price Category 9	+\$209
Price Category 11	+\$254
Price Category G	+\$170
Price Category H	+\$210
Price Category K	+\$380



Eames® Molded Plywood Lounge Chair Metal Base LCM.



**Product Information**

**Description**

This 26½"-high molded plywood chair has natural face veneers, hardwood inner plies, and a 5-ply seat and back. It has a polished chrome-plated 4-leg base and self-leveling nylon glides. When upholstered, the back and seat shells have exposed veneer on their backside.

**Notes**

Red stain (11) shell finish is on birch veneer. This stain allows the wood grain to show through; inner plies are visible. Natural variations in wood grain may affect the appearance of this stain color.

Ebony (EN) shell finish is stain on ash veneer; inner plies are not as visible.

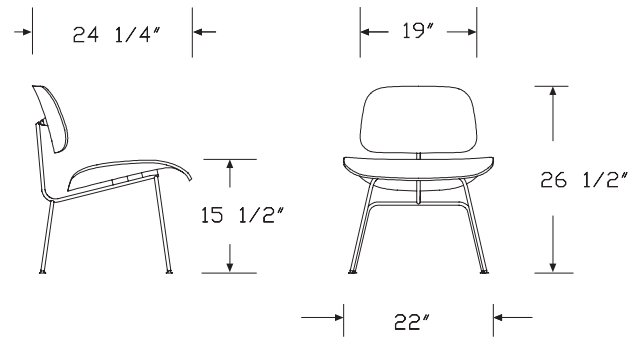
Santos palisander veneer is celebrated for its unique grain and color variations. Similar products ordered in multiples or dissimilar products ordered separately should be expected to have variation in both grain and color characteristics; no two products will look exactly alike.

Black (BK) base finish has black glides. Trivalent chrome (47) base finish has white glides.

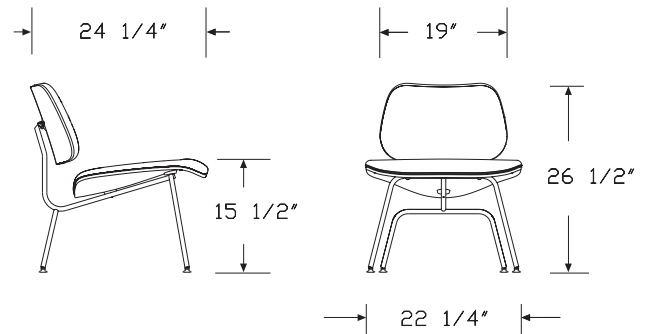
Avoid placement in direct sunlight.

Customer's Own Material (COM) requires 1 yard. Customer's Own Leather (COL), requires 24 square feet. See COM Information in Appendices for additional information.

**Dimensions**



nonupholstered



upholstered

Herman Miller Collection—Lounge Seating

# Eames® Molded Plywood Lounge Chair Metal Base *continued*

HermanMiller Collection—Lounge Seating

## Specification Information

### Step 1.

**LC**  A

### Step 2. Upholstery

**M.** nonupholstered shell  A

**M.U** upholstered shell  A

### Prices for Steps 1-2.

**LCM.** \$811

**LCM.U** \$1284

### Step 3. Base Finish

**BK** black  A +\$0

**47** trivalent chrome  A +\$20

### Step 4. Shell Finish

#### Wood Veneer

**OU** walnut  A +\$0

**11** red stain  A +\$115

**A2** white ash  A +\$115

**EN** ebony  A +\$115

**9N** santos palisander  A +\$285

### Step 5. Fabric

#### *For upholstered shell (M.U)*

Price Category 1 +\$0

Price Category 2 +\$29

Price Category 3 +\$55

Price Category (Geiger) 3 +\$55

Price Category 4 +\$83

Price Category (Geiger) 4 +\$83

Price Category 5 +\$98

Price Category (Geiger) 5 +\$87

Price Category 6 +\$110

Price Category 7 +\$175

Price Category (Geiger) 7 +\$175

Price Category 8 +\$229

Price Category 9 +\$390

Price Category 10 +\$465

Price Category (Geiger) 10 +\$465

Price Category 11 +\$560

Price Category 14 +\$605

Price Category 10M +\$477

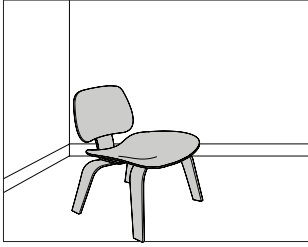
Price Category C +\$0

Price Category D +\$59

Price Category E	+\$71
Price Category F	+\$92
Price Category G	+\$119
Price Category H	+\$145
Price Category I	+\$170
Price Category J	+\$196
Price Category K	+\$221
Price Category L	+\$247
Price Category M	+\$272
Price Category N	+\$298
Price Category O	+\$323
Price Category P	+\$349
Price Category Q	+\$375
Price Category R	+\$711

Eames® Molded Plywood Lounge  
Chair Wood Base

LCW.



**Product Information**

**Description**

This 26½"-high molded plywood chair has natural face veneers, hardwood inner plies, a 5-ply seat and back, and 8-ply legs. When upholstered, the back and seat shells have exposed veneer on their backside.

**Notes**

Red stain (11) shell finish is on birch veneer. This stain allows the wood grain to show through; inner plies are visible. Natural variations in wood grain may affect the appearance of this stain color.

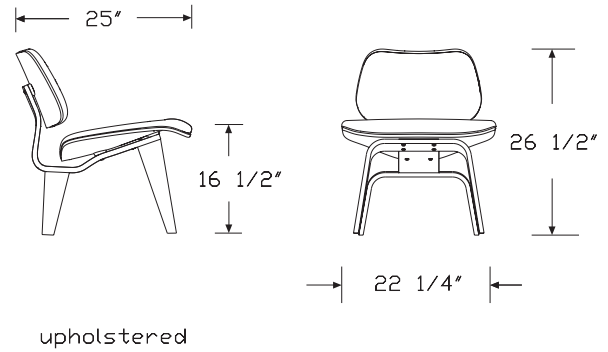
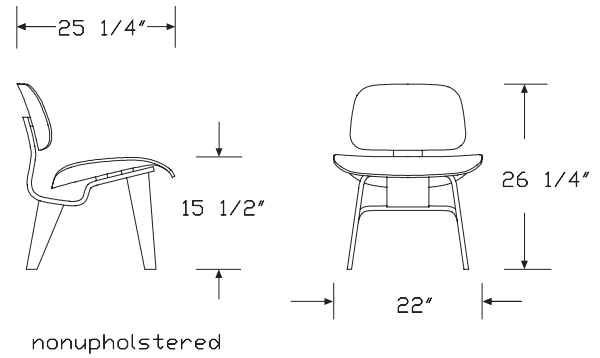
Ebony (EN) shell finish is stain on ash veneer; inner plies are not as visible.

Santos palisander veneer is celebrated for its unique grain and color variations. Similar products ordered in multiples or dissimilar products ordered separately should be expected to have variation in both grain and color characteristics; no two products will look exactly alike.

Avoid placement in direct sunlight.

Customer's Own Material (COM) requires 1 yard. Customer's Own Leather (COL), requires 24 square feet. See COM Information in Appendices for additional information.

**Dimensions**



# Eames® Molded Plywood Lounge Chair Wood Base *continued*

HermanMiller Collection—Lounge Seating

## Specification Information

### Step 1.

**LC**  A

### Step 2. Upholstery

**W.** nonupholstered shell  A

**W.U** upholstered shell  A

### Prices for Steps 1-2.

**LCW.** \$1071

**LCW.U** \$1513

### Step 3. Finish

**OU** walnut  A +\$0

**11** red stain  A +\$154

**A2** white ash  A +\$154

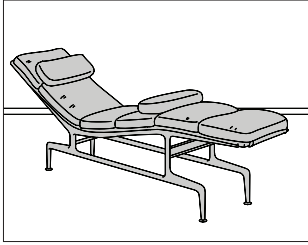
**EN** ebony  A +\$154

**9N** santos palisander  A +\$575

### Step 4. Fabric

#### *For upholstered shell (W.U)*

Price Category 1	+\$0
Price Category 2	+\$29
Price Category 3	+\$55
Price Category 4	+\$83
Price Category (Geiger) 4	+\$83
Price Category 5	+\$98
Price Category (Geiger) 5	+\$87
Price Category 6	+\$110
Price Category 7	+\$175
Price Category (Geiger) 7	+\$175
Price Category 8	+\$229
Price Category 9	+\$390
Price Category 10	+\$465
Price Category (Geiger) 10	+\$465
Price Category 11	+\$560
Price Category 14	+\$605
Price Category 10M	+\$0
Price Category C	+\$46
Price Category D	+\$59
Price Category E	+\$71
Price Category F	+\$92
Price Category G	+\$119
Price Category H	+\$145
Price Category I	+\$170
Price Category J	+\$196
Price Category K	+\$221
Price Category L	+\$247
Price Category M	+\$272
Price Category N	+\$298
Price Category O	+\$323
Price Category P	+\$349
Price Category Q	+\$375
Price Category R	+\$711



**Product Information**

**Description**

This chaise has 6 2"-thick foam cushions with leather upholstery supported by a fabric sling. It has nylon glides and includes 2 loose cushions.

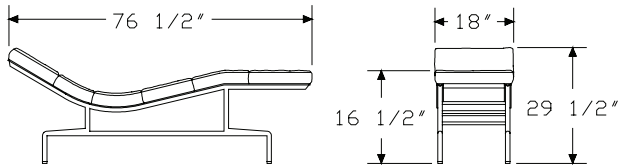
**Notes**

COL requires 65 square feet.

When pearl MCL leather (1R01) is specified, the fabric sling will be white.

When black MCL leather (1R10) is specified, the fabric sling will be black.

**Dimensions**



**Specification Information**

**Step 1.**

**ES106** A \$5989

**Step 2. Frame Finish**

**91** white A +\$450

**EP** eggplant A +\$450

**G2** graphite satin A +\$450

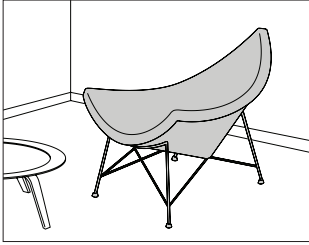
**Step 3. Leather**

See application chart and textiles list for fabric usage and numbers.

First 2 digits of number indicate fabric line; remaining digit(s) indicate fabric color.

Price Category 11 +\$1151

Nelson™ Coconut Lounge Chair 5569.

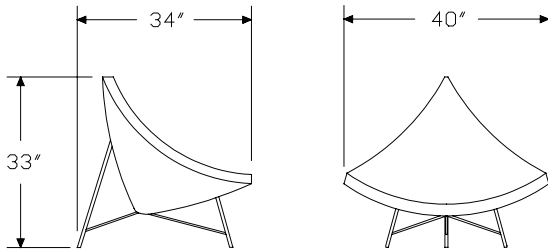


**Product Information**

Description

This chair has a 1-piece foam cushion upholstered in black leather, a white molded plastic shell, and a polished chrome base.

Dimensions

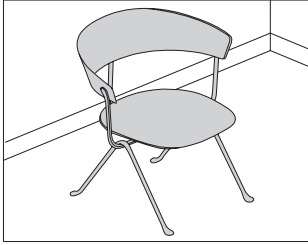


**Specification Information**

Step 1.

5569. A

\$8706

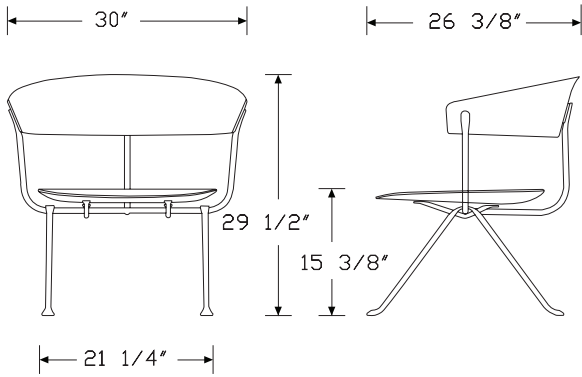
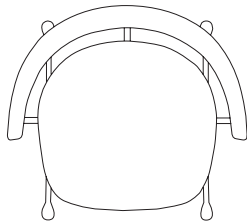


**Product Information**

**Description**

This chair has a wrought iron frame available in galvanized or painted grey anthracite finish. Seat and back are available in plywood, fabric upholstery or leather. Chairs sold individually. Ships assembled.

**Dimensions**



**Specification Information**

**Step 1.**

**SD220X**

**Step 2. Seat & Back**

**W** plywood

**F** fabric upholstery

**L** leather upholstery

**Prices for Steps 1-2.**

<b>SD220X W</b>	\$1495
<b>F</b>	\$1995
<b>L</b>	\$2595

**Step 3. Frame Finish**

**GLV** galvanized  +\$0

**YCB** grey anthracite  +\$0

**Step 4. Seat & Back Finish**

*For plywood (W)*

**YNC** natural beech  +\$0

**YNM** black beech  +\$0

*For fabric upholstery (F)*

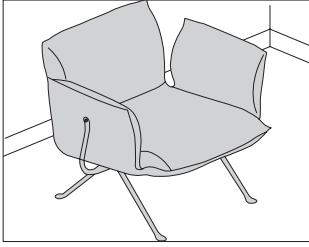
Price Category H +\$0

Price Category G +\$0

*For leather upholstery (L)*

**YNL** natural  +\$0

**BLK** black  +\$0

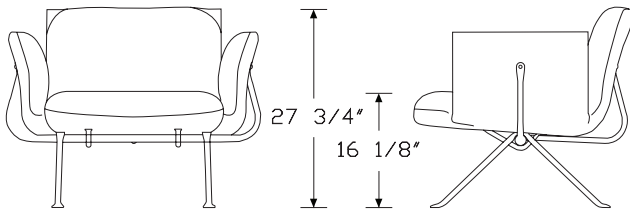
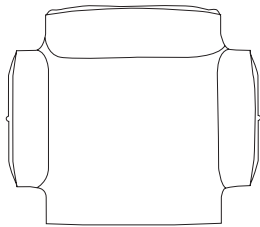


HermanMiller Collection—Lounge Seating

**Product Information**

**Description**  
 This armchair has a wrought iron frame available in galvanized or painted grey anthracite finish. Seat and back are upholstered. Ships assembled.

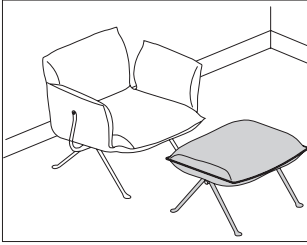
**Dimensions**



**Specification Information**

<b>Step 1.</b>		
<b>SD223X</b>	<input type="checkbox"/> A	\$2695
<b>Step 2. Frame Finish</b>		
<b>GLV</b>	galvanized <input type="checkbox"/> A	+\$0
<b>YCB</b>	grey anthracite <input type="checkbox"/> A	+\$0
<b>Step 3. Upholstery</b>		
<b>YLQ</b>	Glamour Azimut Velvet Yellow <input type="checkbox"/> A	+\$100
<b>YLR</b>	Torri Lana, AT1 Rico Dark Blue <input type="checkbox"/> A	+\$0
<b>YLS</b>	Divina Melange 120 <input type="checkbox"/> A	+\$300



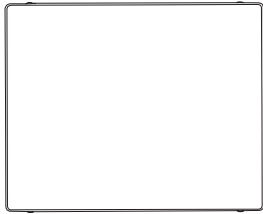


**Product Information**

**Description**

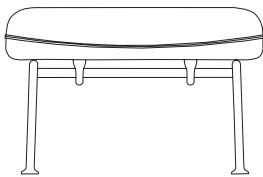
This ottoman has a wrought iron frame available in galvanized or painted grey anthracite finish. Ships assembled.

**Dimensions**

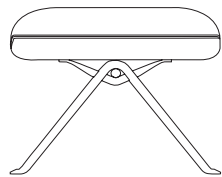


24 1/4"

19 7/8"



15 3/4"



**Specification Information**

**Step 1.**

**SD226X** [A] \$1275

**Step 2. Frame Finish**

**GLV** galvanized [A] +\$0

**YCB** grey anthracite [A] +\$0

**Step 3. Upholstery**

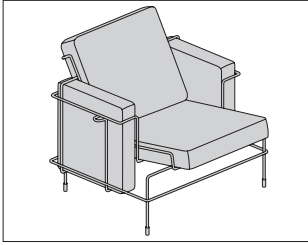
**YLQ** Glamour Azimut Velvet Yellow [A] +\$50

**YLR** Torri Lana, AT1 Rico Dark Blue [A] +\$0

**YLS** Divina Melange 120 [A] +\$120

# Traffic Armchair Upholstered

XXSD2



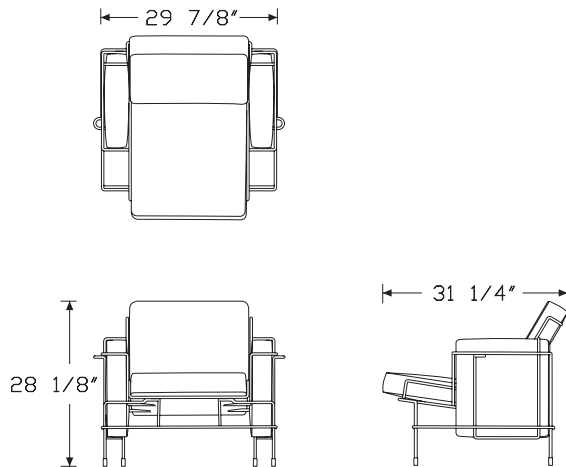
HermanMiller Collection—Lounge Seating

## Product Information

### Description

This armchair has a painted steel rod frame and upholstered cushions with removable covers.

### Dimensions



## Specification Information

### Step 1.

**XXSD2700** A \$3336

### Step 2. Frame Finish

<b>5011</b>	white	<span style="border: 1px solid black; padding: 0 2px;">A</span>	+\$0
<b>5013</b>	black	<span style="border: 1px solid black; padding: 0 2px;">A</span>	+\$0
<b>5016</b>	sepia brown	<span style="border: 1px solid black; padding: 0 2px;">A</span>	+\$0
<b>5017</b>	green blue	<span style="border: 1px solid black; padding: 0 2px;">A</span>	+\$0
<b>5019</b>	signal red	<span style="border: 1px solid black; padding: 0 2px;">A</span>	+\$0
<b>5021</b>	dark green	<span style="border: 1px solid black; padding: 0 2px;">A</span>	+\$0

### Step 3. Seat Fabric

#### For white (5011)

<b>F-088</b>	orange	<span style="border: 1px solid black; padding: 0 2px;">A</span>	+\$0
<b>F-222</b>	light blue	<span style="border: 1px solid black; padding: 0 2px;">A</span>	+\$0
<b>F-266</b>	beige	<span style="border: 1px solid black; padding: 0 2px;">A</span>	+\$0
<b>F-354</b>	green	<span style="border: 1px solid black; padding: 0 2px;">A</span>	+\$0
<b>F-578</b>	yellow	<span style="border: 1px solid black; padding: 0 2px;">A</span>	+\$0
<b>F-741</b>	light grey	<span style="border: 1px solid black; padding: 0 2px;">A</span>	+\$0

#### For black (5013)

<b>F-521</b>	dark brown	<span style="border: 1px solid black; padding: 0 2px;">A</span>	+\$0
--------------	------------	---	------

#### For sepia brown (5016)

<b>F-578</b>	yellow	<span style="border: 1px solid black; padding: 0 2px;">A</span>	+\$0
--------------	--------	---	------

#### For green blue (5017)

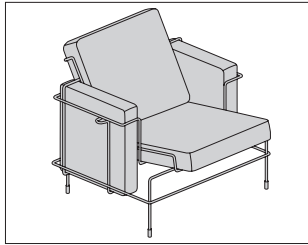
<b>F-222</b>	light blue	<span style="border: 1px solid black; padding: 0 2px;">A</span>	+\$0
--------------	------------	---	------

#### For signal red (5019)

<b>F-088</b>	orange	<span style="border: 1px solid black; padding: 0 2px;">A</span>	+\$0
--------------	--------	---	------

#### For dark green (5021)

<b>F-354</b>	green	<span style="border: 1px solid black; padding: 0 2px;">A</span>	+\$0
--------------	-------	---	------

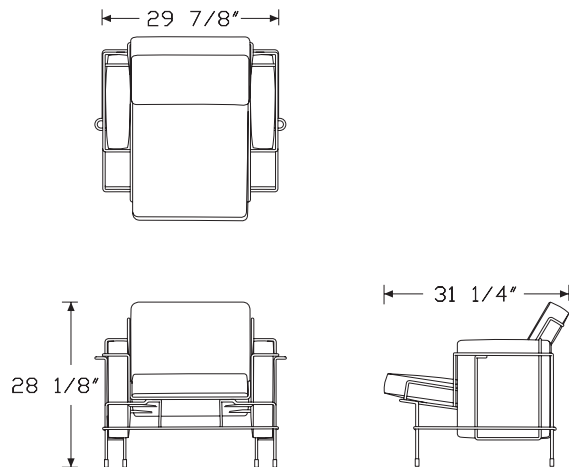


**Product Information**

**Description**

This armchair has a painted steel rod frame and upholstered cushions with removable covers.

**Dimensions**



**Specification Information**

**Step 1.**

**XXSD2704**  **A** \$5511

**Step 2. Frame Finish**

**5011** white  **A** +\$0  
**5013** black  **A** +\$0  
**5016** sepia brown  **A** +\$0  
**5021** dark green  **A** +\$0

**Step 3. Seat Fabric**

*For white (5011)*

**L-0111** brown l  **A** +\$0  
**L-0706** cream white l  **A** +\$0

*For black (5013)*

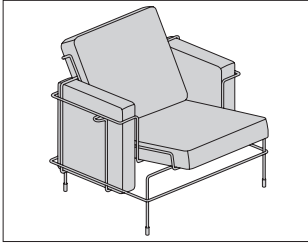
**L-0060** anthracite grey l  **A** +\$0

*For dark green (5021)*

**L-0111** brown l  **A** +\$0  
**L-0752** dark brown l  **A** +\$0

Traffic Armchair Upholstered  
(Suitable for Outdoor Use)

XXSD2

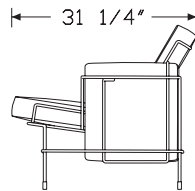
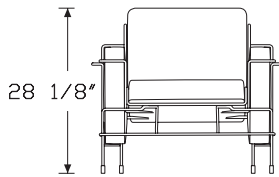
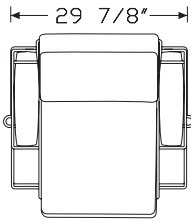


HermanMiller Collection—Lounge Seating

**Product Information**

**Description**  
This armchair has a painted steel rod frame and upholstered cushions with removable covers. Suitable for outdoor use.

**Dimensions**



**Specification Information**

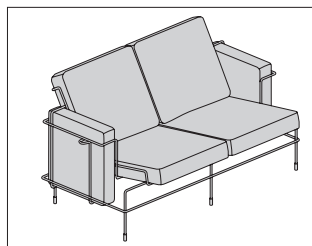
**Step 1.**  
**XXSD2701**  A \$3773

**Step 2. Frame Finish**  
**5011** white  A +\$0

**Step 3. Seat Fabric**  
**F-227** turquoise  A +\$0  
**F-257** blue  A +\$0  
**F-737** white  A +\$0  
**F-769** black  A +\$0

# Traffic Two-Seater Sofa Upholstered

XXSD2

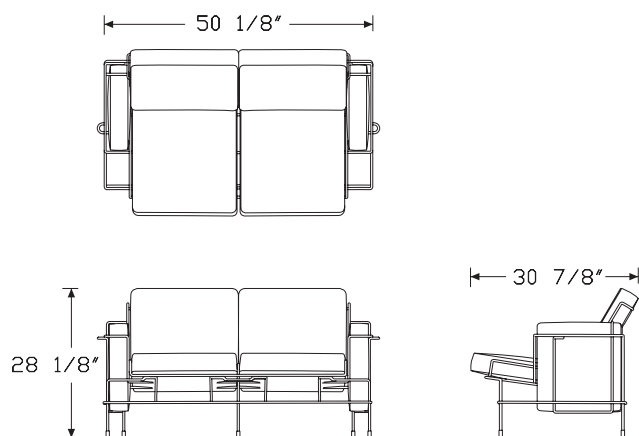


### Product Information

#### Description

This sofa has a painted steel rod frame and upholstered cushions with removable covers.

#### Dimensions



### Specification Information

#### Step 1.

**XXSD2710**  A \$519

#### Step 2. Frame Finish

<b>5011</b>	white	<input type="checkbox"/> A	+\$0
<b>5013</b>	black	<input type="checkbox"/> A	+\$0
<b>5016</b>	sepia brown	<input type="checkbox"/> A	+\$0
<b>5017</b>	green blue	<input type="checkbox"/> A	+\$0
<b>5019</b>	signal red	<input type="checkbox"/> A	+\$0
<b>5021</b>	dark green	<input type="checkbox"/> A	+\$0

#### Step 3. Seat Fabric

##### For white (5011)

<b>F-088</b>	orange	<input type="checkbox"/> A	+\$0
<b>F-222</b>	light blue	<input type="checkbox"/> A	+\$0
<b>F-266</b>	beige	<input type="checkbox"/> A	+\$0
<b>F-354</b>	green	<input type="checkbox"/> A	+\$0
<b>F-578</b>	yellow	<input type="checkbox"/> A	+\$0
<b>F-741</b>	light grey	<input type="checkbox"/> A	+\$0

##### For black (5013)

<b>F-521</b>	dark brown	<input type="checkbox"/> A	+\$0
--------------	------------	----------------------------	------

##### For sepia brown (5016)

<b>F-578</b>	yellow	<input type="checkbox"/> A	+\$0
--------------	--------	----------------------------	------

##### For green blue (5017)

<b>F-222</b>	light blue	<input type="checkbox"/> A	+\$0
--------------	------------	----------------------------	------

##### For signal red (5019)

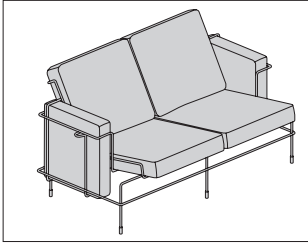
<b>F-088</b>	orange	<input type="checkbox"/> A	+\$0
--------------	--------	----------------------------	------

##### For dark green (5021)

<b>F-354</b>	green	<input type="checkbox"/> A	+\$0
--------------	-------	----------------------------	------

Traffic Two-Seater Sofa  
 Upholstered (Suitable for Outdoor  
 Use)

XXSD2

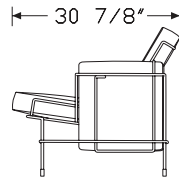
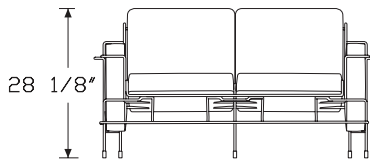
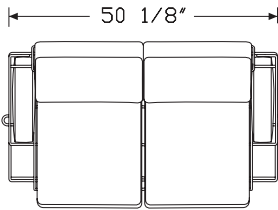


HermanMiller Collection—Lounge Seating

**Product Information**

**Description**  
 This sofa has a painted steel rod frame and upholstered cushions with removable covers. Suitable for outdoor use.

**Dimensions**

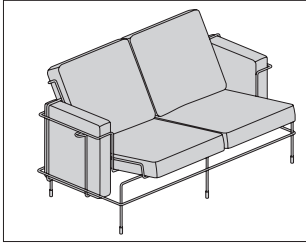


**Specification Information**

**Step 1.**  
**XXSD2711**  A \$5785

**Step 2. Frame Finish**  
**5011** white  A +\$0

**Step 3. Seat Fabric**  
**F-227** turquoise  A +\$0  
**F-257** blue  A +\$0  
**F-737** white  A +\$0  
**F-769** black  A +\$0

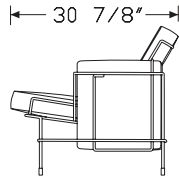
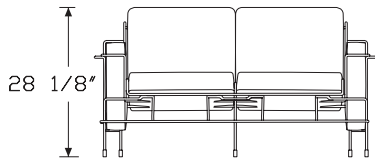
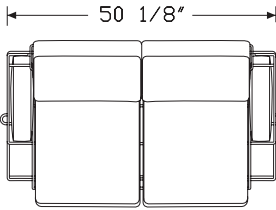


**Product Information**

**Description**

This sofa has a painted steel rod frame and upholstered cushions with removable covers.

**Dimensions**



**Specification Information**

**Step 1.**

**XXSD2714**  **A** \$7837

**Step 2. Frame Finish**

- 5011** white  **A** +\$0
- 5013** black  **A** +\$0
- 5016** sepia brown  **A** +\$0
- 5021** dark green  **A** +\$0

**Step 3. Seat Fabric**

*For white (5011)*

- L-0111** brown l  **A** +\$0
- L-0706** cream white l  **A** +\$0

*For black (5013)*

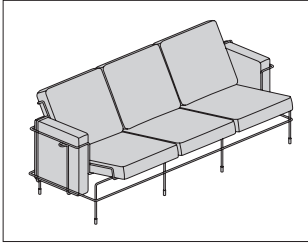
- L-0060** anthracite grey l  **A** +\$0

*For dark green (5021)*

- L-0111** brown l  **A** +\$0
- L-0752** dark brown l  **A** +\$0

Traffic Three-Seater Sofa  
Upholstered

XXSD2



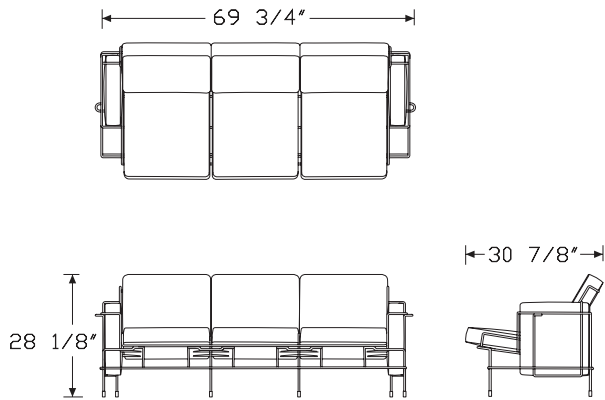
HermanMiller Collection—Lounge Seating

**Product Information**

**Description**

This sofa has a painted steel rod frame and upholstered cushions with removable covers.

**Dimensions**



**Specification Information**

**Step 1.**

**XXSD2715** A \$6279

**Step 2. Frame Finish**

<b>5011</b>	white	<span style="border: 1px solid black; padding: 0 2px;">A</span>	+ \$0
<b>5013</b>	black	<span style="border: 1px solid black; padding: 0 2px;">A</span>	+ \$0
<b>5016</b>	sepia brown	<span style="border: 1px solid black; padding: 0 2px;">A</span>	+ \$0
<b>5017</b>	green blue	<span style="border: 1px solid black; padding: 0 2px;">A</span>	+ \$0
<b>5019</b>	signal red	<span style="border: 1px solid black; padding: 0 2px;">A</span>	+ \$0
<b>5021</b>	dark green	<span style="border: 1px solid black; padding: 0 2px;">A</span>	+ \$0

**Step 3. Seat Fabric**

*For white (5011)*

<b>F-088</b>	orange	<span style="border: 1px solid black; padding: 0 2px;">A</span>	+ \$0
<b>F-222</b>	light blue	<span style="border: 1px solid black; padding: 0 2px;">A</span>	+ \$0
<b>F-266</b>	beige	<span style="border: 1px solid black; padding: 0 2px;">A</span>	+ \$0
<b>F-354</b>	green	<span style="border: 1px solid black; padding: 0 2px;">A</span>	+ \$0
<b>F-578</b>	yellow	<span style="border: 1px solid black; padding: 0 2px;">A</span>	+ \$0
<b>F-741</b>	light grey	<span style="border: 1px solid black; padding: 0 2px;">A</span>	+ \$0

*For black (5013)*

<b>F-521</b>	dark brown	<span style="border: 1px solid black; padding: 0 2px;">A</span>	+ \$0
--------------	------------	---	-------

*For sepia brown (5016)*

<b>F-578</b>	yellow	<span style="border: 1px solid black; padding: 0 2px;">A</span>	+ \$0
--------------	--------	---	-------

*For green blue (5017)*

<b>F-222</b>	light blue	<span style="border: 1px solid black; padding: 0 2px;">A</span>	+ \$0
--------------	------------	---	-------

*For signal red (5019)*

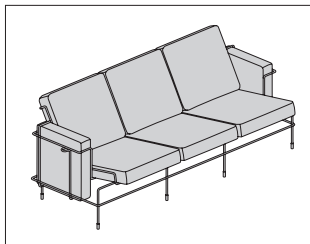
<b>F-088</b>	orange	<span style="border: 1px solid black; padding: 0 2px;">A</span>	+ \$0
--------------	--------	---	-------

*For dark green (5021)*

<b>F-354</b>	green	<span style="border: 1px solid black; padding: 0 2px;">A</span>	+ \$0
--------------	-------	---	-------



Traffic Three-Seater Sofa XXSD2  
 Upholstered (Suitable for Outdoor Use)

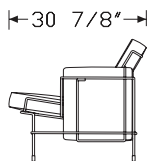
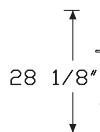
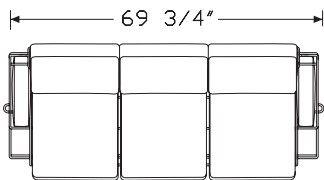


**Product Information**

**Description**

This sofa has a painted steel rod frame and upholstered cushions with removable covers. Suitable for outdoor use.

**Dimensions**



**Specification Information**

**Step 1.**

**XXSD2716** A \$6939

**Step 2. Frame Finish**

**5011** white A +\$0

**Step 3. Seat Fabric**

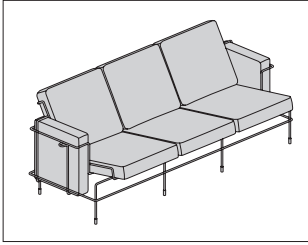
**F-227** turquoise A +\$0

**F-257** blue A +\$0

**F-737** white A +\$0

**F-769** black A +\$0

Traffic Three-Seater Sofa Leather XXSD2

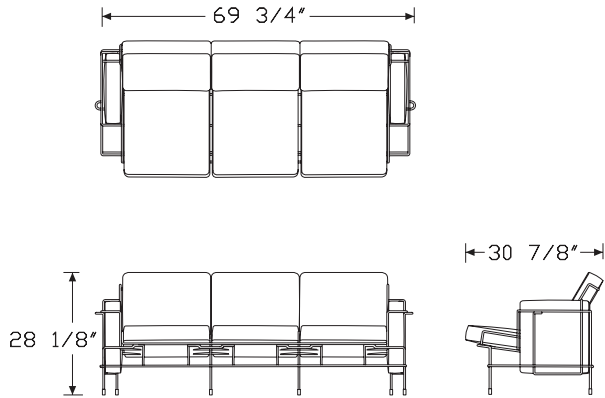


HermanMiller Collection—Lounge Seating

**Product Information**

**Description**  
 This sofa has a painted steel rod frame and upholstered cushions with removable covers.

**Dimensions**



**Specification Information**

**Step 1.**  
**XXSD2718** [A] \$9327

**Step 2. Frame Finish**

<b>5011</b>	white [A]	+\$0
<b>5013</b>	black [A]	+\$0
<b>5016</b>	sepia brown [A]	+\$0
<b>5021</b>	dark green [A]	+\$0

**Step 3. Seat Fabric**

*For white (5011)*

<b>L-0111</b>	brown l [A]	+\$0
<b>L-0706</b>	cream white l [A]	+\$0

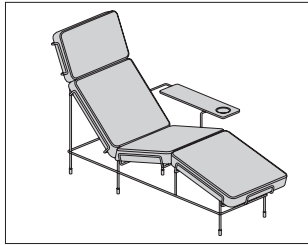
*For black (5013)*

<b>L-0060</b>	anthracite grey l [A]	+\$0
---------------	-----------------------	------

*For dark green (5021)*

<b>L-0111</b>	brown l [A]	+\$0
<b>L-0752</b>	dark brown l [A]	+\$0

# Traffic Chaise Lounge Upholstered XXSD2

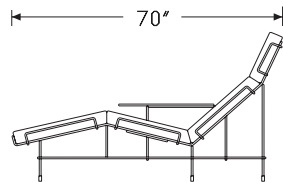
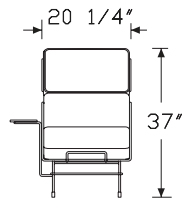
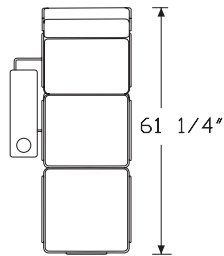


## Product Information

### Description

This chaise lounge has a painted steel rod frame and upholstered cushions with removable covers.

### Dimensions



## Specification Information

### Step 1.

**XXSD2720**  A \$3931

### Step 2. Frame Finish

<b>5011</b>	white	<input type="checkbox"/> A	+\$0
<b>5013</b>	black	<input type="checkbox"/> A	+\$0
<b>5016</b>	sepia brown	<input type="checkbox"/> A	+\$0
<b>5017</b>	green blue	<input type="checkbox"/> A	+\$0
<b>5019</b>	signal red	<input type="checkbox"/> A	+\$0
<b>5021</b>	dark green	<input type="checkbox"/> A	+\$0

### Step 3. Seat Fabric

#### For white (5011)

<b>F-088</b>	orange	<input type="checkbox"/> A	+\$0
<b>F-222</b>	light blue	<input type="checkbox"/> A	+\$0
<b>F-266</b>	beige	<input type="checkbox"/> A	+\$0
<b>F-354</b>	green	<input type="checkbox"/> A	+\$0
<b>F-578</b>	yellow	<input type="checkbox"/> A	+\$0
<b>F-741</b>	light grey	<input type="checkbox"/> A	+\$0

#### For black (5013)

<b>F-521</b>	dark brown	<input type="checkbox"/> A	+\$0
--------------	------------	----------------------------	------

#### For sepia brown (5016)

<b>F-578</b>	yellow	<input type="checkbox"/> A	+\$0
--------------	--------	----------------------------	------

#### For green blue (5017)

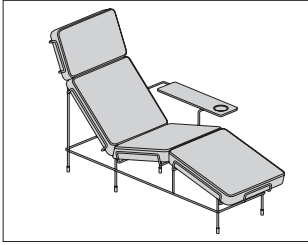
<b>F-222</b>	light blue	<input type="checkbox"/> A	+\$0
--------------	------------	----------------------------	------

#### For signal red (5019)

<b>F-088</b>	orange	<input type="checkbox"/> A	+\$0
--------------	--------	----------------------------	------

#### For dark green (5021)

<b>F-354</b>	green	<input type="checkbox"/> A	+\$0
--------------	-------	----------------------------	------



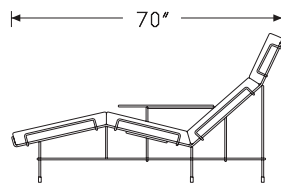
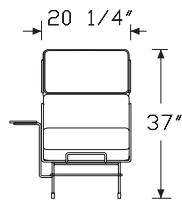
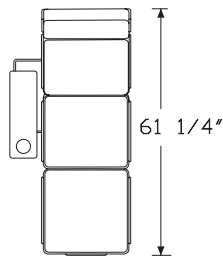
HermanMiller Collection—Lounge Seating

**Product Information**

**Description**

This chaise lounge has a painted steel rod frame and upholstered cushions with removable covers.

**Dimensions**



**Specification Information**

**Step 1.**

**XXSD2724** A \$6106

**Step 2. Frame Finish**

- 5011** white A + \$0
- 5013** black A + \$0
- 5016** sepia brown A + \$0
- 5021** dark green A + \$0

**Step 3. Seat Fabric**

*For white (5011)*

- L-0111** brown I A + \$0
- L-0706** cream white I A + \$0

*For black (5013)*

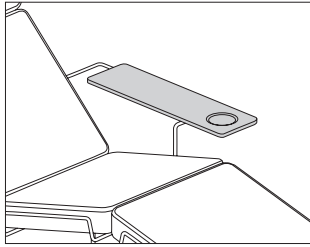
- L-0060** anthracite grey I A + \$0

*For dark green (5021)*

- L-0111** brown I A + \$0
- L-0752** dark brown I A + \$0

Traffic Tablet in Acrylic Stone

XXSD2

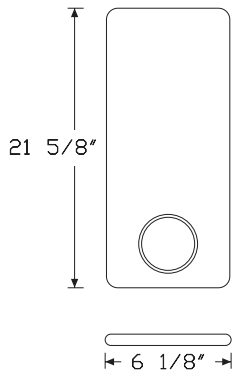


**Product Information**

**Description**

This tablet is constructed of acrylic stone and may be used with a Traffic armchair, sofa or platform bench. Top is 12mm thick. Frame purchased separately.

**Dimensions**



**Specification Information**

**Step 1.**

**XXSD2760** [A] \$209

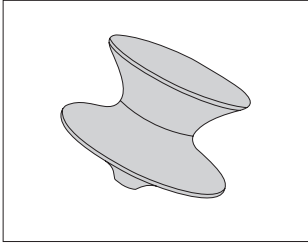
**Step 2. Stone Top**

**WH** white [A] +\$0

**AG** anthracite grey [A] +\$0

# Spun Rotating Chair

MGN00.

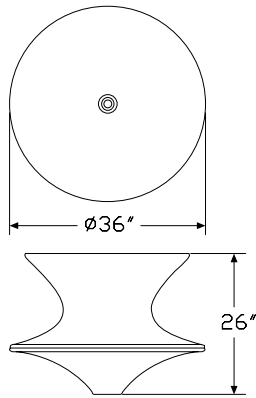


### Product Information

#### Description

This rotating low chair is made from polyethylene and is suitable for outdoor use.

#### Dimensions



### Specification Information

#### Step 1.

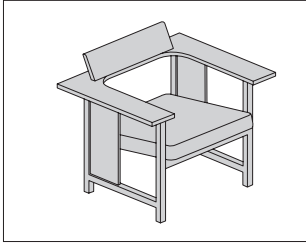
**MGN00.** \$825

#### Step 2. Finish

<b>YLB</b>	dark purple <input type="checkbox"/>	+\$0
<b>YLD</b>	red <input type="checkbox"/>	+\$0
<b>YLG</b>	white <input type="checkbox"/>	+\$0
<b>YLH</b>	grey anthracite <input type="checkbox"/>	+\$0

Clerici Armchair

MGCL00

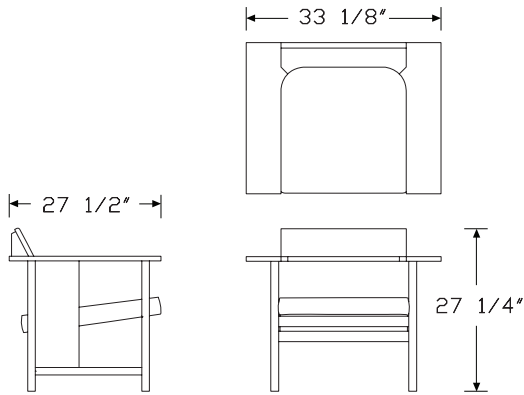


**Product Information**

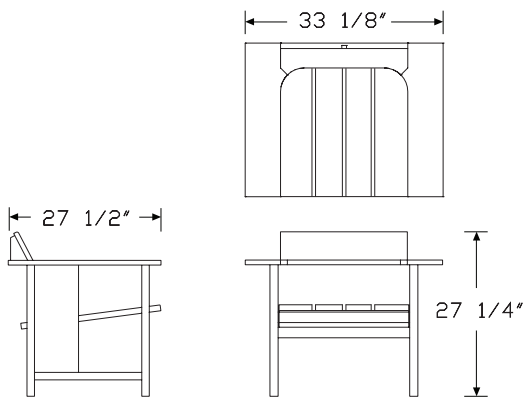
Description

This solid wood armchair has an ash, iroko, or oak frame with the option of an upholstered seat. The seat on the iroko option has slats instead of a solid seat surface.

Dimensions



with cushion



Iroko option without cushion

**Specification Information**

Step 1.

**MGCL0**

Step 2. Upholstery

**0.** nonupholstered

**0.U** upholstered

Prices for Steps 1-2.

<b>MGCL00.</b>	\$1400
<b>MGCL00.U</b>	\$2330

Step 3. Frame

*For nonupholstered (o.)*

<b>YSA</b> ash <input type="checkbox"/>	+\$0
<b>RKW</b> iroko <input type="checkbox"/>	+\$125
<b>YFC</b> oak <input type="checkbox"/>	+\$250

*For upholstered (o,U)*

<b>YFC</b> oak <input type="checkbox"/>	+\$250
---	--------

Step 4. Finish

*For ash (YSA)*

<b>YMP</b> grey <input type="checkbox"/>	+\$0
<b>YRL</b> red <input type="checkbox"/>	+\$0
<b>YNL</b> natural <input type="checkbox"/>	+\$0

*For oak (YFC) or iroko (RKW)*

<b>YNL</b> natural <input type="checkbox"/>	+\$0
---	------

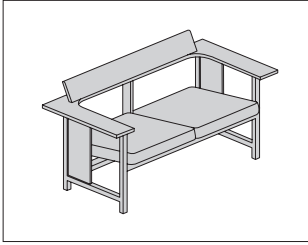
Step 5. Leather

*For oak (YFC)*

<b>YLJ</b> cuoio leather <input type="checkbox"/>	+\$0
<b>YLK</b> marrone leather <input type="checkbox"/>	+\$0

Clerici Two Seat Bench

MGCL02



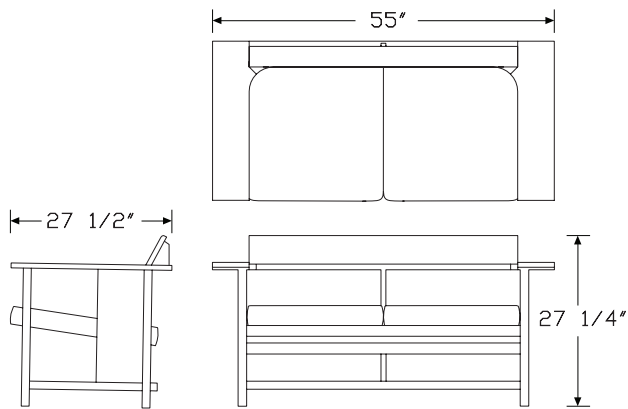
HermanMiller Collection—Lounge Seating

**Product Information**

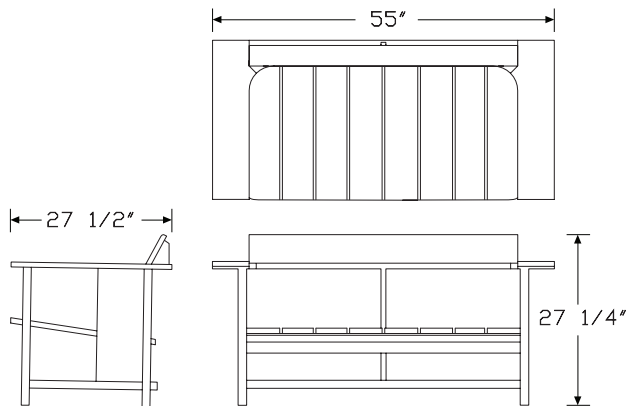
**Description**

This solid wood 2-seat bench has an ash, iroko, or oak frame with the option of an upholstered seat. The seat on the iroko option has slats instead of a solid seat surface.

**Dimensions**



with cushion



Iroko option without cushion

**Specification Information**

**Step 1.**

**MGCL0** [A]

**Step 2. Upholstery**

**2.** two seat bench, nonupholstered [A]

**2.U** two seat bench, upholstered [A]

**Prices for Steps 1-2.**

<b>MGCL02.</b>	\$2466
<b>MGCL02.U</b>	\$4430

**Step 3. Frame**

*For two seat bench, nonupholstered (2.)*

<b>YSA</b> ash [A]	+\$0
<b>YFC</b> oak [A]	+\$0
<b>RKW</b> iroko [A]	+\$0

*For two seat bench, upholstered (2.U)*

<b>YFC</b> oak [A]	+\$0
--------------------	------

**Step 4. Finish**

*For ash (YSA)*

<b>YMP</b> grey [A]	+\$0
<b>YRL</b> red [A]	+\$0
<b>YNL</b> natural [A]	+\$0

*For oak (YFC) or iroko (RKW)*

<b>YNL</b> natural [A]	+\$0
------------------------	------

**Step 5. Leather**

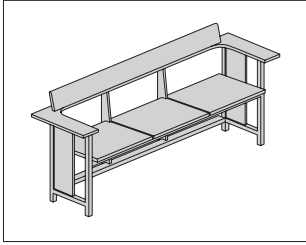
*For two seat bench, upholstered (2.U)*

<b>YLJ</b> cuoio leather [A]	+\$0
<b>YLK</b> marrone leather [A]	+\$0



Clerici Three Seat Bench

MGCL03

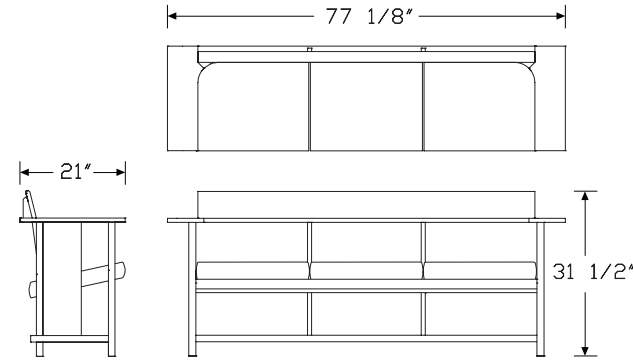


**Product Information**

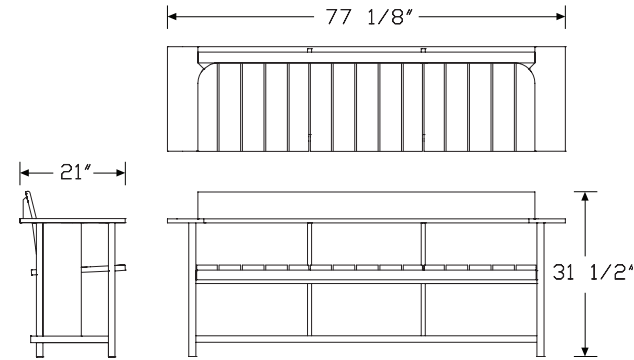
**Description**

This solid wood 3-seat bench has an ash, iroko, or oak frame. The seat on the iroko option has slats instead of a solid seat surface.

**Dimensions**



with cushion



Iroko option without cushion

**Specification Information**

**Step 1.**

**MGCL03.** [A] \$2525

**Step 2. Frame**

**YSA** ash [A] +\$0  
**YFC** oak [A] +\$575  
**RKW** iroko [A] +\$1600

**Step 3. Finish**

*For ash (YSA)*

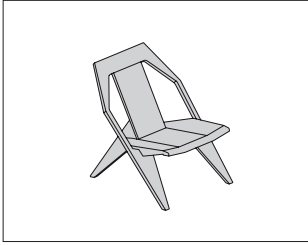
**YMP** grey [A] +\$0  
**YRL** red [A] +\$0  
**YNL** natural [A] +\$0

*For oak (YFC) or iroko (RKW)*

**YNL** natural [A] +\$0

# Medici Chair

MGM00.



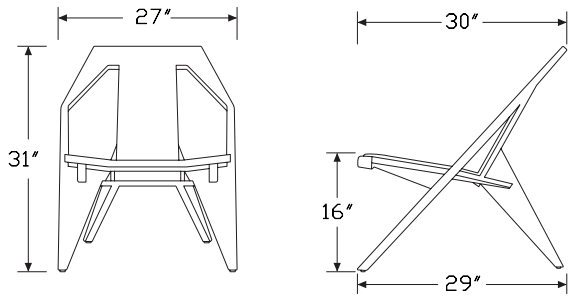
HermanMiller Collection—Lounge Seating

## Product Information

### Description

This solid wood chair with armrests is available in ash, walnut and Douglas fir.

### Dimensions



## Specification Information

### Step 1.

**MGM00.**

### Step 3. Frame Finish

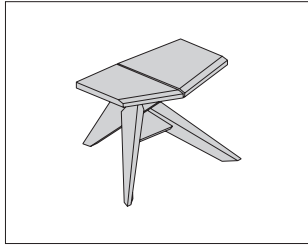
- ZQF** yellow anilin ash
- ZQH** douglas fir natural waxed
- ZQJ** grey anilin ash
- ZPA** red anilin ash
- ZPB** black anilin ash
- ZQG** natural walnut waxed

### Prices for Steps 1-3.

<b>MGM00.ZQF</b>	\$1895
<b>ZQH</b>	\$1895
<b>ZQJ</b>	\$1895
<b>ZPA</b>	\$1895
<b>ZPB</b>	\$1895
<b>ZQG</b>	\$2500

Medici Ottoman

MGV20.

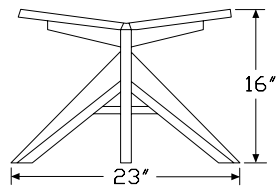
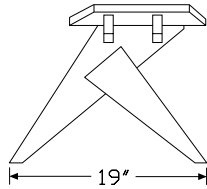


**Product Information**

Description

This solid wood stool is available in ash, walnut and Douglas fir.

Dimensions



**Specification Information**

Step 1.

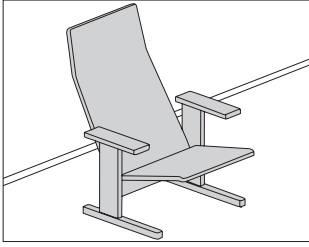
**MGV20.**  A \$974

Step 2. Frame Finish

- ZQF** yellow anilin ash  A +\$0
- ZQH** douglas fir natural waxed  A +\$0
- ZQJ** grey anilin ash  A +\$0
- ZPA** red anilin ash  A +\$0
- ZPB** black anilin ash  A +\$0
- ZQG** natural walnut waxed  A +\$225

# Quindici Lounge Chair

MC15L.

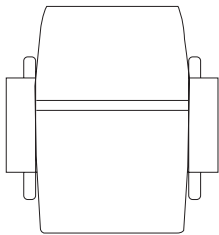


HermanMiller Collection—Lounge Seating

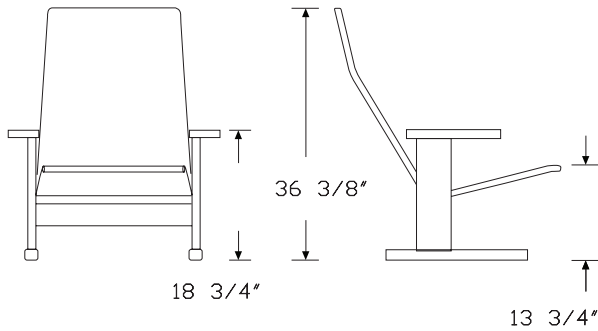
## Product Information

**Description**  
 This lounge chair is constructed of ash and comes in a choice of finishes and with or without upholstery. Ships assembled.

## Dimensions



← 30 1/2" →      ← 32" →



## Specification Information

Step 1.

**MC15L.**  A

Step 2. Upholstery

**N** no upholstery  A

Prices for Steps 1-2.

**MC15L. N** \$2470

Step 3. Finish

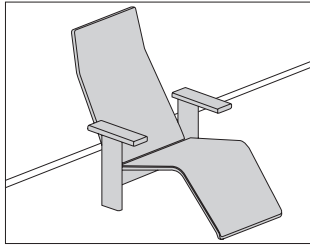
**YQC** natural ash  A + \$0

**YQB** black anilin ash  A + \$0

**ZQJ** grey anilin ash  A + \$0

# Quindici Chaise Longue

MC15CL

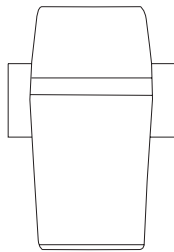


### Product Information

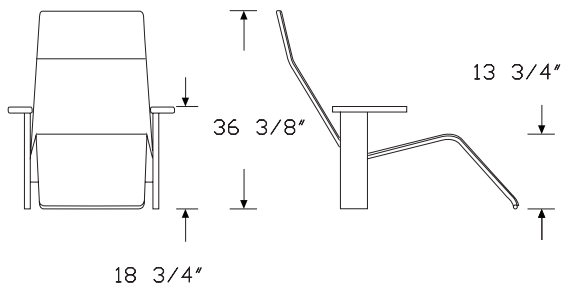
#### Description

This chaise longue is constructed of ash and comes in a choice of finishes and with or without upholstery. Ships assembled.

#### Dimensions



→ 30 1/2" ←      ← 43 1/4" →



### Specification Information

#### Step 1.

**MC15CL.**  A

#### Step 2. Upholstery

**N** no upholstery  A

#### Prices for Steps 1-2.

**MC15CL. N** \$2790

#### Step 3. Finish

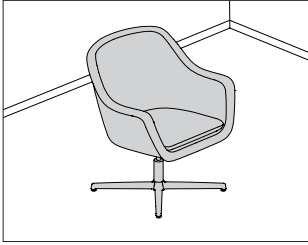
**YQC** natural ash  A +\$0

**YQB** black anilin ash  A +\$0

**ZQJ** grey anilin ash  A +\$0

# Bumper Lounge Chair

SBR4N



HermanMiller Collection—Lounge Seating

## Product Information

### Description

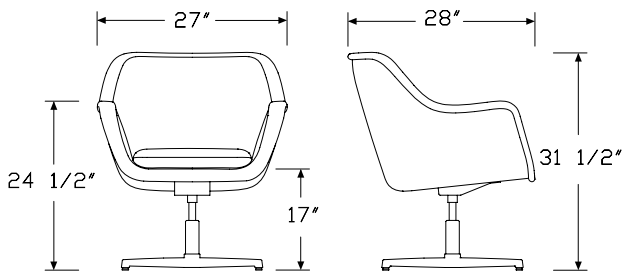
This lounge chair has upholstered inner and outer shells and arm cap, each made from one continuous piece of fabric or leather, and an upholstered seat cushion. The frame is rigid molded urethane with foam inserts, and seat and back are FR foam over rigid inserts. The 4-star, swivel-return base is polished cast aluminum with black glides.

### Notes

Customers Own Material (COM) requires 2½ yards for the shell inside and outside, an additional 1¾ yards for the arm cap and cushion, or 4¼ yards when specify entire chair in the same fabric. See Order Information in Appendices.

Customers Own Leather (COL) requires 45 square feet for the shell inside and outside, an additional 31½ square feet for the arm cap and cushion, or 76½ yards when specify entire chair in the same leather. See Order Information in Appendices.

## Dimensions



## Specification Information

### Step 1.

**SBR4N** A \$1900

### Step 2. Shell Upholstery

Price Category 1	+\$0
Price Category 2	+\$118
Price Category (Geiger) 2	+\$118
Price Category (Geiger) 3	+\$148
Price Category 3	+\$148
Price Category (Geiger) 4	+\$180
Price Category 4	+\$180
Price Category (Geiger) 5	+\$263
Price Category 5	+\$263
Price Category (Geiger) 6	+\$345
Price Category (Geiger) 7	+\$428
Price Category (Geiger) 8	+\$655
Price Category 9	+\$813
Price Category (Geiger) 10	+\$935
Price Category (Geiger) 11	+\$1048
Price Category 11	+\$1048
Price Category (Geiger) C	+\$133
Price Category (Geiger) D	+\$175
Price Category (Geiger) E	+\$213
Price Category (Geiger) F	+\$255
Price Category (Geiger) G	+\$348
Price Category (Geiger) H	+\$433
Price Category (Geiger) I	+\$523
Price Category (Geiger) J	+\$613
Price Category (Geiger) K	+\$703
Price Category (Geiger) L	+\$793
Price Category (Geiger) M	+\$883
Price Category (Geiger) N	+\$973
Price Category (Geiger) O	+\$1063
Price Category (Geiger) P	+\$1150
Price Category (Geiger) Q	+\$1328
Price Category (Geiger) R	+\$1850
Price Category (Geiger) S	+\$1988
Price Category (Geiger) T	+\$2125
Price Category (Geiger) U	+\$2263
Price Category (Geiger) X	+\$2675
Price Category (Geiger) Y	+\$2813
Price Category (Geiger) COM <span style="border: 1px solid black; padding: 0 2px;">A</span>	+\$0
Price Category (Geiger) COL <span style="border: 1px solid black; padding: 0 2px;">A</span>	+\$306

### Step 3. Arm Cap and Cushion Upholstery

Price Category 1 +\$0

## Bumper Lounge Chair *continued*

Price Category 2	+\$82
Price Category (Geiger) 2	+\$82
Price Category (Geiger) 3	+\$103
Price Category 3	+\$103
Price Category (Geiger) 4	+\$126
Price Category 4	+\$126
Price Category (Geiger) 5	+\$184
Price Category 5	+\$184
Price Category (Geiger) 6	+\$242
Price Category (Geiger) 7	+\$299
Price Category (Geiger) 8	+\$459
Price Category 9	+\$569
Price Category (Geiger) 10	+\$655
Price Category (Geiger) 11	+\$733
Price Category 11	+\$733
Price Category (Geiger) C	+\$93
Price Category (Geiger) D	+\$123
Price Category (Geiger) E	+\$149
Price Category (Geiger) F	+\$179
Price Category (Geiger) G	+\$243
Price Category (Geiger) H	+\$303
Price Category (Geiger) I	+\$366
Price Category (Geiger) J	+\$429
Price Category (Geiger) K	+\$492
Price Category (Geiger) L	+\$555
Price Category (Geiger) M	+\$618
Price Category (Geiger) O	+\$744
Price Category (Geiger) P	+\$805
Price Category (Geiger) Q	+\$929
Price Category (Geiger) R	+\$1295
Price Category (Geiger) S	+\$1391
Price Category (Geiger) X	+\$1873
Price Category (Geiger) Y	+\$1969
Price Category (Geiger) COL <input type="checkbox"/> A	+\$95
Price Category (Geiger) COM <input type="checkbox"/> A	+\$0

### Step 4. Base Finish

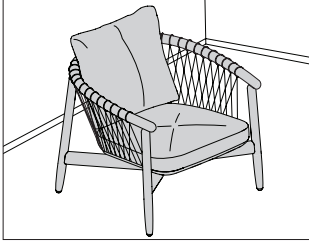
<b>CD</b> polished aluminum <input type="checkbox"/> A	+\$0
--	------

### Step 5. Fire Retardancy

<b>NOCAL</b> not fire retardant <input type="checkbox"/> A	+\$0
<b>133</b> fire retardant <input type="checkbox"/> A	+\$276

# Crosshatch Lounge Chair

SES1A  
SES1W



HermanMiller Collection—Lounge Seating

## Product Information

### Description

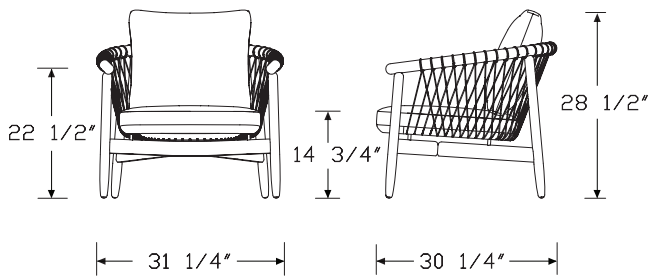
This lounge chair has a solid wood frame with cushions made of foam and DACRON®. Chair cord comes in several color options. Fire retardant chair meets CAL 133 requirements.

### Notes

Cord color is specified separately from cushion color.

Customer's Own Material (COM) requires 1½ yards. Customer's Own Leather (COL) requires 27 square feet. See Order Information in Appendices.

### Dimensions



## Specification Information

### Step 1.

**SES1** A

### Step 2. Frame Finish

**A** ash A

**W** walnut A

### Prices for Steps 1-2.

<b>SES1A</b>	\$2615
<b>SES1W</b>	\$3110

### Step 3. Wood Finish

#### RecoGrain Veneer

*For ash (A)*

<b>66G</b>	recoGrain wenge <span style="border: 1px solid black; padding: 0 2px;">A</span>	+ \$0
<b>68W</b>	recoGrain walnut, flat cut, matte sheen <span style="border: 1px solid black; padding: 0 2px;">A</span>	+ \$0
<b>69G</b>	recoGrain wenge <span style="border: 1px solid black; padding: 0 2px;">A</span>	+ \$0
<b>69W</b>	recoGrain walnut, quarter cut, matte sheen <span style="border: 1px solid black; padding: 0 2px;">A</span>	+ \$0

#### Recon Veneer -

*For ash (A)*

<b>98W</b>	recoGrain walnut, flat cut, low sheen <span style="border: 1px solid black; padding: 0 2px;">A</span>	+ \$0
<b>99G</b>	recoGrain wenge, quarter cut, low sheen <span style="border: 1px solid black; padding: 0 2px;">A</span>	+ \$0
<b>99W</b>	recoGrain walnut, quarter cut, low sheen <span style="border: 1px solid black; padding: 0 2px;">A</span>	+ \$0

#### Low Sheen Finishes (on Ash)

*For ash (A)*

<b>967</b>	smoked paldao, low sheen <span style="border: 1px solid black; padding: 0 2px;">A</span>	+ \$0
<b>969</b>	warm paldao, low sheen <span style="border: 1px solid black; padding: 0 2px;">A</span>	+ \$0



# Crosshatch Lounge Chair *continued*

## Low Sheen Finishes (on Ash)

### For ash (A)

<b>G2U</b>	light brown walnut, low sheen <span style="border: 1px solid black; padding: 0 2px;">A</span>	+\$0
<b>G40</b>	dark brown walnut, low sheen <span style="border: 1px solid black; padding: 0 2px;">A</span>	+\$0
<b>940</b>	sundance cherry on maple <span style="border: 1px solid black; padding: 0 2px;">A</span>	+\$0
<b>943</b>	caramel cherry <span style="border: 1px solid black; padding: 0 2px;">A</span>	+\$0
<b>946</b>	cocoa cherry <span style="border: 1px solid black; padding: 0 2px;">A</span>	+\$0
<b>956</b>	cocoa sapele <span style="border: 1px solid black; padding: 0 2px;">A</span>	+\$0
<b>962</b>	toasted walnut, low sheen <span style="border: 1px solid black; padding: 0 2px;">A</span>	+\$0
<b>963</b>	charred walnut, low sheen <span style="border: 1px solid black; padding: 0 2px;">A</span>	+\$0
<b>964</b>	bronzed walnut, low sheen <span style="border: 1px solid black; padding: 0 2px;">A</span>	+\$0
<b>965</b>	smoked walnut, low sheen <span style="border: 1px solid black; padding: 0 2px;">A</span>	+\$0
<b>966</b>	coffee walnut, low sheen <span style="border: 1px solid black; padding: 0 2px;">A</span>	+\$0
<b>977</b>	chocolate ash, low sheen <span style="border: 1px solid black; padding: 0 2px;">A</span>	+\$0
<b>98R</b>	recograin rosewood <span style="border: 1px solid black; padding: 0 2px;">A</span>	+\$0
<b>991</b>	champagne ash <span style="border: 1px solid black; padding: 0 2px;">A</span>	+\$0
<b>998</b>	ebony ash <span style="border: 1px solid black; padding: 0 2px;">A</span>	+\$0
<b>99A</b>	recograin frosty ash <span style="border: 1px solid black; padding: 0 2px;">A</span>	+\$0
<b>99R</b>	recograin rosewood <span style="border: 1px solid black; padding: 0 2px;">A</span>	+\$0
<b>99T</b>	recograin teak <span style="border: 1px solid black; padding: 0 2px;">A</span>	+\$0
<b>9A1</b>	white ash, quarter cut, low sheen <span style="border: 1px solid black; padding: 0 2px;">A</span>	+\$0
<b>9K1</b>	rift oak, rift cut, low sheen <span style="border: 1px solid black; padding: 0 2px;">A</span>	+\$0
<b>9K6</b>	burnt oak, rift cut, low sheen <span style="border: 1px solid black; padding: 0 2px;">A</span>	+\$0
<b>ED</b>	aged cherry <span style="border: 1px solid black; padding: 0 2px;">A</span>	+\$0
<b>EK</b>	medium red walnut <span style="border: 1px solid black; padding: 0 2px;">A</span>	+\$0
<b>UX</b>	walnut on cherry <span style="border: 1px solid black; padding: 0 2px;">A</span>	+\$0

## Matte Sheen Finishes (on Ash)

### For ash (A)

<b>66A</b>	recograin frosty ash <span style="border: 1px solid black; padding: 0 2px;">A</span>	+\$0
<b>677</b>	chocolate ash, matte sheen <span style="border: 1px solid black; padding: 0 2px;">A</span>	+\$0
<b>68R</b>	recograin rosewood <span style="border: 1px solid black; padding: 0 2px;">A</span>	+\$0
<b>69A</b>	recograin frosty ash <span style="border: 1px solid black; padding: 0 2px;">A</span>	+\$0
<b>69R</b>	recograin rosewood <span style="border: 1px solid black; padding: 0 2px;">A</span>	+\$0
<b>69T</b>	recograin teak <span style="border: 1px solid black; padding: 0 2px;">A</span>	+\$0
<b>6A1</b>	white ash <span style="border: 1px solid black; padding: 0 2px;">A</span>	+\$0
<b>6K1</b>	rift oak <span style="border: 1px solid black; padding: 0 2px;">A</span>	+\$0
<b>6K6</b>	burnt oak <span style="border: 1px solid black; padding: 0 2px;">A</span>	+\$0
<b>ET</b>	clear on ash <span style="border: 1px solid black; padding: 0 2px;">A</span>	+\$0
<b>EU</b>	oak on ash <span style="border: 1px solid black; padding: 0 2px;">A</span>	+\$0
<b>EV</b>	walnut on ash <span style="border: 1px solid black; padding: 0 2px;">A</span>	+\$0
<b>GOU</b>	natural walnut, flat cut, matte sheen <span style="border: 1px solid black; padding: 0 2px;">A</span>	+\$0

## Anigre Veneer - Low Sheen

### For walnut (W)

<b>967</b>	smoked paldao, low sheen <span style="border: 1px solid black; padding: 0 2px;">A</span>	+\$0
<b>969</b>	warm paldao, low sheen <span style="border: 1px solid black; padding: 0 2px;">A</span>	+\$0

## Premium Veneer - Matte

### For walnut (W)

<b>667</b>	smoked paldao, quarter cut, matte sheen <span style="border: 1px solid black; padding: 0 2px;">A</span>	+\$0
<b>669</b>	warm paldao, quarter cut, matte sheen <span style="border: 1px solid black; padding: 0 2px;">A</span>	+\$0
<b>662</b>	toasted walnut, matte sheen <span style="border: 1px solid black; padding: 0 2px;">A</span>	+\$0
<b>663</b>	charred walnut, matte sheen <span style="border: 1px solid black; padding: 0 2px;">A</span>	+\$0
<b>664</b>	bronzed walnut, matte sheen <span style="border: 1px solid black; padding: 0 2px;">A</span>	+\$0
<b>665</b>	smoked walnut, matte sheen <span style="border: 1px solid black; padding: 0 2px;">A</span>	+\$0
<b>666</b>	coffee walnut, matte sheen <span style="border: 1px solid black; padding: 0 2px;">A</span>	+\$0
<b>68R</b>	recograin rosewood <span style="border: 1px solid black; padding: 0 2px;">A</span>	+\$0
<b>69R</b>	recograin rosewood <span style="border: 1px solid black; padding: 0 2px;">A</span>	+\$0
<b>GOU</b>	natural walnut, flat cut, matte sheen <span style="border: 1px solid black; padding: 0 2px;">A</span>	+\$0

## RecoGrain Veneer

### For walnut (W)

<b>66G</b>	recograin wenge <span style="border: 1px solid black; padding: 0 2px;">A</span>	+\$0
<b>69G</b>	recograin wenge <span style="border: 1px solid black; padding: 0 2px;">A</span>	+\$0

## Recon Veneer -

### For walnut (W)

<b>96G</b>	wenge recograin, quarter cut, low sheen <span style="border: 1px solid black; padding: 0 2px;">A</span>	+\$0
<b>99G</b>	recograin wenge, quarter cut, low sheen <span style="border: 1px solid black; padding: 0 2px;">A</span>	+\$0

## Low Sheen Finishes (on Walnut)

### For walnut (W)

<b>G2U</b>	light brown walnut, low sheen <span style="border: 1px solid black; padding: 0 2px;">A</span>	+\$0
<b>G40</b>	dark brown walnut, low sheen <span style="border: 1px solid black; padding: 0 2px;">A</span>	+\$0
<b>962</b>	toasted walnut, low sheen <span style="border: 1px solid black; padding: 0 2px;">A</span>	+\$0
<b>963</b>	charred walnut, low sheen <span style="border: 1px solid black; padding: 0 2px;">A</span>	+\$0
<b>964</b>	bronzed walnut, low sheen <span style="border: 1px solid black; padding: 0 2px;">A</span>	+\$0
<b>965</b>	smoked walnut, low sheen <span style="border: 1px solid black; padding: 0 2px;">A</span>	+\$0
<b>966</b>	coffee walnut, low sheen <span style="border: 1px solid black; padding: 0 2px;">A</span>	+\$0
<b>972</b>	sundance walnut <span style="border: 1px solid black; padding: 0 2px;">A</span>	+\$0
<b>98R</b>	recograin rosewood <span style="border: 1px solid black; padding: 0 2px;">A</span>	+\$0
<b>99R</b>	recograin rosewood <span style="border: 1px solid black; padding: 0 2px;">A</span>	+\$0
<b>EK</b>	medium red walnut <span style="border: 1px solid black; padding: 0 2px;">A</span>	+\$0

## Step 4. Seat/Cushion

Price Category 1	+\$59
Price Category (Geiger) 2	+\$0
Price Category 2	+\$71
Price Category (Geiger) 3	+\$89
Price Category 3	+\$89
Price Category (Geiger) 4	+\$108
Price Category 4	+\$108
Price Category (Geiger) 5	+\$158
Price Category 5	+\$158

# Crosshatch Lounge Chair *continued*

Price Category (Geiger) 6	+\$207
Price Category (Geiger) 7	+\$257
Price Category (Geiger) 8	+\$393
Price Category (Geiger) 9	+\$488
Price Category 9	+\$488
Price Category (Geiger) 10	+\$561
Price Category (Geiger) 11	+\$629
Price Category 11	+\$629
Price Category 14	+\$824
Price Category (Geiger) C	+\$80
Price Category (Geiger) D	+\$105
Price Category (Geiger) E	+\$128
Price Category (Geiger) F	+\$153
Price Category (Geiger) G	+\$209
Price Category (Geiger) H	+\$260
Price Category (Geiger) I	+\$314
Price Category (Geiger) J	+\$368
Price Category (Geiger) K	+\$422
Price Category (Geiger) L	+\$476
Price Category (Geiger) M	+\$530
Price Category (Geiger) N	+\$584
Price Category (Geiger) O	+\$638
Price Category (Geiger) P	+\$690
Price Category (Geiger) Q	+\$797
Price Category (Geiger) R	+\$1110
Price Category (Geiger) U	+\$1358
Price Category (Geiger) COM <input type="checkbox"/>	+\$0
Price Category (Geiger) COL <input type="checkbox"/>	+\$108

## Step 5. Cord

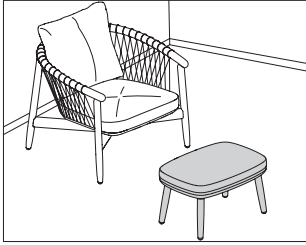
<b>CBK</b> black cord <input type="checkbox"/>	+\$0
<b>CBR</b> dark brown cord <input type="checkbox"/>	+\$0
<b>CCM</b> cream cord <input type="checkbox"/>	+\$0
<b>CGY</b> gray cord <input type="checkbox"/>	+\$0

## Step 6. Fire Retardancy

<b>NOCAL</b> no cal-133 required <input type="checkbox"/>	+\$0
<b>133</b> cal-133 required <input type="checkbox"/>	+\$98

# Crosshatch Ottoman

SES3A  
SES3W



### Product Information

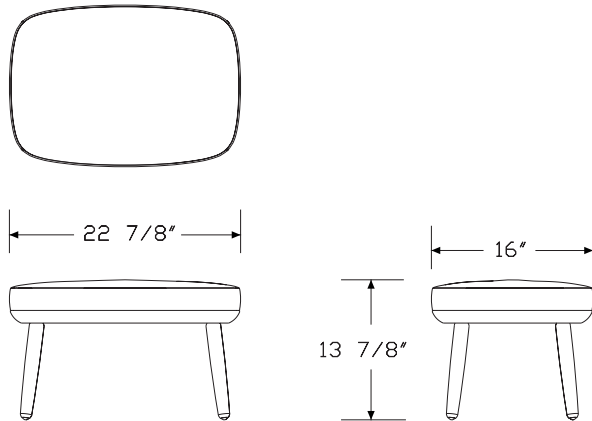
#### Description

This ottoman has a solid wood frame with an upholstered cushion. Frame comes in ash or walnut.

#### Notes

Fire retardant chair meets CAL 133 requirements.  
Customer's Own Material (COM) requires 3/4 yards. Customer's Own Leather (COL) requires 13 1/2 square feet. See Order Information in appendices.

#### Dimensions



### Specification Information

#### Step 1.

**SES3**  A

#### Step 2. Wood Species

**A** ash  A

**W** walnut  A

#### Prices for Steps 1-2.

**SES3A** \$990  
**SES3W** \$1140

#### Step 3. Wood Finish

##### For ash (A)

**66G** recograin wenge  A +\$0  
**68W** recograin walnut, flat cut, matte sheen  A +\$0  
**69G** recograin wenge  A +\$0  
**69W** recograin walnut, quarter cut, matte sheen  A +\$0

##### For ash (A)

**98W** recograin walnut, flat cut, low sheen  A +\$0  
**99G** recograin wenge, quarter cut, low sheen  A +\$0  
**99W** recograin walnut, quarter cut, low sheen  A +\$0

#### Low Sheen Finishes (on Ash)

##### For ash (A)

**967** smoked paldao, low sheen  A +\$0  
**969** warm paldao, low sheen  A +\$0  
**932** sundance anigre  A +\$0  
**933** caramel anigre  A +\$0  
**934** henna anigre  A +\$0

<i>For ash (A)</i>		
940	sundance cherry on maple	+ \$0
962	toasted walnut, low sheen	+ \$0
963	charred walnut, low sheen	+ \$0
964	bronzed walnut, low sheen	+ \$0
965	smoked walnut, low sheen	+ \$0
966	coffee walnut, low sheen	+ \$0
977	chocolate ash, low sheen	+ \$0
98R	recograin rosewood	+ \$0
99A	recograin frosty ash	+ \$0
99R	recograin rosewood	+ \$0
99T	recograin teak	+ \$0
9A1	white ash, quarter cut, low sheen	+ \$0
9K1	rift oak, rift cut, low sheen	+ \$0
9K6	burnt oak, rift cut, low sheen	+ \$0
EK	medium red walnut	+ \$0
EW	medium matte walnut	+ \$0
G2U	light brown walnut, low sheen	+ \$0
G40	dark brown walnut, low sheen	+ \$0
UX	walnut on cherry	+ \$0
943	caramel cherry	+ \$0
944	henna cherry	+ \$0
945	port cherry	+ \$0
946	cocoa cherry	+ \$0
954	henna sapele	+ \$0
955	port sapele	+ \$0
956	cocoa sapele	+ \$0
957	espresso sapele	+ \$0
991	champagne ash	+ \$0
998	ebony ash	+ \$0
ED	aged cherry	+ \$0

<i>Matte Sheen Finishes (on Ash)</i>		
<i>For ash (A)</i>		
66A	recograin frosty ash	+ \$0
677	chocolate ash, matte sheen	+ \$0
68R	recograin rosewood	+ \$0
69A	recograin frosty ash	+ \$0
69R	recograin rosewood	+ \$0
69T	recograin teak	+ \$0
6K1	rift oak	+ \$0
ET	clear on ash	+ \$0
EU	oak on ash	+ \$0
EV	walnut on ash	+ \$0
6A1	white ash	+ \$0
6A2	platinum ash	+ \$0
6K6	burnt oak	+ \$0
GOU	natural walnut, flat cut, matte sheen	+ \$0

<i>For walnut (W)</i>		
967	smoked paldao, low sheen	+ \$0
969	warm paldao, low sheen	+ \$0

<i>For walnut (W)</i>		
66G	recograin wenge	+ \$0
69G	recograin wenge	+ \$0

<i>For walnut (W)</i>		
96G	wenge recograin, quarter cut, low sheen	+ \$0
99G	recograin wenge, quarter cut, low sheen	+ \$0

<i>Low Sheen Finishes (on Walnut)</i>		
<i>For walnut (W)</i>		
962	toasted walnut, low sheen	+ \$0
963	charred walnut, low sheen	+ \$0
964	bronzed walnut, low sheen	+ \$0
965	smoked walnut, low sheen	+ \$0
966	coffee walnut, low sheen	+ \$0
972	sundance walnut	+ \$0
98R	recograin rosewood	+ \$0
99R	recograin rosewood	+ \$0
G2U	light brown walnut, low sheen	+ \$0
G40	dark brown walnut, low sheen	+ \$0
973	caramel walnut	+ \$0
974	henna walnut	+ \$0
975	port walnut	+ \$0
976	cocoa walnut	+ \$0
EK	medium red walnut	+ \$0

# Crosshatch Ottoman *continued*

## For walnut (W)

<b>662</b>	toasted walnut, matte sheen <input type="checkbox"/> A	+\$0
<b>663</b>	charred walnut, matte sheen <input type="checkbox"/> A	+\$0
<b>664</b>	bronzed walnut, matte sheen <input type="checkbox"/> A	+\$0
<b>665</b>	smoked walnut, matte sheen <input type="checkbox"/> A	+\$0
<b>666</b>	coffee walnut, matte sheen <input type="checkbox"/> A	+\$0
<b>667</b>	smoked paldao, quarter cut, matte sheen <input type="checkbox"/> A	+\$0
<b>669</b>	warm paldao, quarter cut, matte sheen <input type="checkbox"/> A	+\$0
<b>68R</b>	recograin rosewood <input type="checkbox"/> A	+\$0
<b>69R</b>	recograin rosewood <input type="checkbox"/> A	+\$0
<b>GOU</b>	natural walnut, flat cut, matte sheen <input type="checkbox"/> A	+\$0

## Step 4. Fabric

Price Category 1	+\$29
Price Category 2	+\$35
Price Category (Geiger) 3	+\$44
Price Category 3	+\$44
Price Category (Geiger) 4	+\$54
Price Category 4	+\$54
Price Category (Geiger) 5	+\$79
Price Category 5	+\$79
Price Category (Geiger) 6	+\$104
Price Category (Geiger) 7	+\$128
Price Category (Geiger) 8	+\$197
Price Category (Geiger) 9	+\$244
Price Category 9	+\$244
Price Category (Geiger) 10	+\$281
Price Category (Geiger) 11	+\$314
Price Category (Geiger) 14	+\$412
Price Category (Geiger) C	+\$40
Price Category (Geiger) D	+\$53
Price Category (Geiger) E	+\$64
Price Category (Geiger) F	+\$77
Price Category (Geiger) G	+\$104
Price Category (Geiger) H	+\$130
Price Category (Geiger) I	+\$157
Price Category (Geiger) J	+\$184
Price Category (Geiger) K	+\$211
Price Category (Geiger) L	+\$238
Price Category (Geiger) M	+\$265
Price Category (Geiger) N	+\$292
Price Category (Geiger) O	+\$319
Price Category (Geiger) P	+\$345
Price Category (Geiger) Q	+\$398
Price Category (Geiger) R	+\$555
Price Category (Geiger) U	+\$679
Price Category (Geiger) COM <input type="checkbox"/> A	+\$0

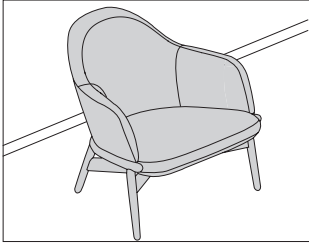
Price Category (Geiger) COL  A +\$54

## Step 5. Fire Retardancy

<b>NOCAL</b>	no cal-133 required <input type="checkbox"/> A	+\$0
<b>133</b>	cal-133 required <input type="checkbox"/> A	+\$49

# Reframe Mid-Back Lounge Chair

SJAA  
SJAW



HermanMiller Collection—Lounge Seating

## Product Information

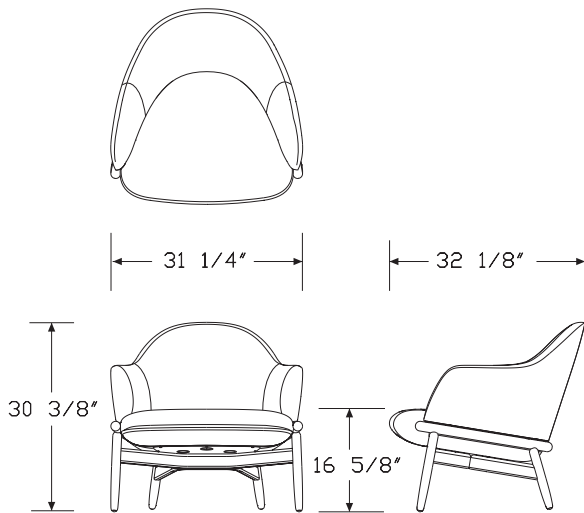
### Description

This chair has a solid wood frame. Seat and back are composed of rigid and flexible polyurethane foam.

### Notes

Customer's Own Material (COM) requires 3½ yards. Customer's Own Leather (COL) requires 63 square feet.

### Dimensions



## Specification Information

### Step 1.

SJA  A

### Step 2. Wood Species

A ash  A

W walnut  A

### Prices for Steps 1-2.

<b>SJAA</b>	\$2650
<b>SJAW</b>	\$3145

### Step 3. Wood Finish

#### For ash (A)

662	toasted walnut, matte sheen <input type="checkbox"/> A	+\$0
663	charred walnut, matte sheen <input type="checkbox"/> A	+\$0
664	bronzed walnut, matte sheen <input type="checkbox"/> A	+\$0
665	smoked walnut, matte sheen <input type="checkbox"/> A	+\$0
666	coffee walnut, matte sheen <input type="checkbox"/> A	+\$0
667	smoked paldao, matte sheen <input type="checkbox"/> A	+\$0
669	warm paldao, matte sheen <input type="checkbox"/> A	+\$0
66A	recograin frosty ash, matte sheen <input type="checkbox"/> A	+\$0
66G	recograin wenge, matte sheen <input type="checkbox"/> A	+\$0
66W	recograin walnut, matte sheen <input type="checkbox"/> A	+\$0
677	chocolate ash, matte sheen <input type="checkbox"/> A	+\$0
68R	recograin rosewood, matte sheen <input type="checkbox"/> A	+\$0
68W	recograin walnut, matte sheen <input type="checkbox"/> A	+\$0
69A	recograin frosty ash, matte sheen <input type="checkbox"/> A	+\$0
69G	recograin wenge, matte sheen <input type="checkbox"/> A	+\$0
69R	recograin rosewood, matte sheen <input type="checkbox"/> A	+\$0
69T	recograin teak, matte sheen <input type="checkbox"/> A	+\$0
69W	recograin walnut, matte sheen <input type="checkbox"/> A	+\$0
6A1	white ash, matte sheen <input type="checkbox"/> A	+\$0
6A2	platinum ash, matte sheen <input type="checkbox"/> A	+\$0
6ET	clear on ash, matte sheen <input type="checkbox"/> A	+\$0
6EU	clear on oak, matte sheen <input type="checkbox"/> A	+\$0
6EV	walnut on ash, matte sheen <input type="checkbox"/> A	+\$0
6K1	rift oak, matte sheen <input type="checkbox"/> A	+\$0
6K6	burnt oak, matte sheen <input type="checkbox"/> A	+\$0
ET	clear on ash, matte sheen <input type="checkbox"/> A	+\$0
EU	oak on ash, matte sheen <input type="checkbox"/> A	+\$0
EV	walnut on ash, matte sheen <input type="checkbox"/> A	+\$0
GOU	walnut, matte sheen <input type="checkbox"/> A	+\$0

# Reframe Mid-Back Lounge Chair

continued

## For ash (A)

<b>940</b>	sundance cherry on maple, low sheen <input type="checkbox"/>	+\$0
<b>943</b>	caramel cherry, low sheen <input type="checkbox"/>	+\$0
<b>946</b>	cocoa cherry, low sheen <input type="checkbox"/>	+\$0
<b>956</b>	cocoa sapele, low sheen <input type="checkbox"/>	+\$0
<b>962</b>	toasted walnut, low sheen <input type="checkbox"/>	+\$0
<b>963</b>	charred walnut, low sheen <input type="checkbox"/>	+\$0
<b>964</b>	bronzed walnut, low sheen <input type="checkbox"/>	+\$0
<b>965</b>	smoked walnut, low sheen <input type="checkbox"/>	+\$0
<b>966</b>	coffee walnut, low sheen <input type="checkbox"/>	+\$0
<b>967</b>	smoked paldao, low sheen <input type="checkbox"/>	+\$0
<b>969</b>	warm paldao, low sheen <input type="checkbox"/>	+\$0
<b>96A</b>	recograin frosty ash, low sheen <input type="checkbox"/>	+\$0
<b>96G</b>	recograin wenge, low sheen <input type="checkbox"/>	+\$0
<b>96W</b>	recograin walnut, low sheen <input type="checkbox"/>	+\$0
<b>977</b>	chocolate ash, low sheen <input type="checkbox"/>	+\$0
<b>98R</b>	recograin rosewood, low sheen <input type="checkbox"/>	+\$0
<b>98W</b>	recograin walnut, low sheen <input type="checkbox"/>	+\$0
<b>991</b>	champagne ash, low sheen <input type="checkbox"/>	+\$0
<b>998</b>	ebony ash, low sheen <input type="checkbox"/>	+\$0
<b>99A</b>	recograin frosty ash, low sheen <input type="checkbox"/>	+\$0
<b>99G</b>	recograin wenge, low sheen <input type="checkbox"/>	+\$0
<b>99R</b>	recograin rosewood, low sheen <input type="checkbox"/>	+\$0
<b>99T</b>	recograin teak, low sheen <input type="checkbox"/>	+\$0
<b>99W</b>	recograin walnut, low sheen <input type="checkbox"/>	+\$0
<b>9A1</b>	white ash, quarter cut, low sheen <input type="checkbox"/>	+\$0
<b>9K1</b>	rift oak, low sheen <input type="checkbox"/>	+\$0
<b>9K6</b>	burnt oak, low sheen <input type="checkbox"/>	+\$0
<b>ED</b>	aged cherry, low sheen <input type="checkbox"/>	+\$0
<b>EK</b>	medium red walnut, low sheen <input type="checkbox"/>	+\$0
<b>G2U</b>	light brown walnut, low sheen <input type="checkbox"/>	+\$0
<b>G40</b>	dark brown walnut, low sheen <input type="checkbox"/>	+\$0
<b>UX</b>	walnut on cherry, low sheen <input type="checkbox"/>	+\$0

## For walnut (W)

<b>662</b>	toasted walnut, matte sheen <input type="checkbox"/>	+\$0
<b>663</b>	charred walnut, matte sheen <input type="checkbox"/>	+\$0
<b>664</b>	bronzed walnut, matte sheen <input type="checkbox"/>	+\$0
<b>665</b>	smoked walnut, matte sheen <input type="checkbox"/>	+\$0
<b>666</b>	coffee walnut, matte sheen <input type="checkbox"/>	+\$0
<b>667</b>	smoked paldao, matte sheen <input type="checkbox"/>	+\$0
<b>669</b>	warm paldao, matte sheen <input type="checkbox"/>	+\$0
<b>66G</b>	recograin wenge, matte sheen <input type="checkbox"/>	+\$0
<b>68R</b>	recograin rosewood, matte sheen <input type="checkbox"/>	+\$0
<b>69G</b>	recograin wenge, matte sheen <input type="checkbox"/>	+\$0
<b>69R</b>	recograin rosewood, matte sheen <input type="checkbox"/>	+\$0
<b>6EV</b>	walnut on ash, matte sheen <input type="checkbox"/>	+\$0
<b>EV</b>	walnut on ash, matte sheen <input type="checkbox"/>	+\$0
<b>GOU</b>	walnut, matte sheen <input type="checkbox"/>	+\$0

## For walnut (W)

<b>962</b>	toasted walnut, low sheen <input type="checkbox"/>	+\$0
<b>963</b>	charred walnut, low sheen <input type="checkbox"/>	+\$0
<b>964</b>	bronzed walnut, low sheen <input type="checkbox"/>	+\$0
<b>965</b>	smoked walnut, low sheen <input type="checkbox"/>	+\$0
<b>966</b>	coffee walnut, low sheen <input type="checkbox"/>	+\$0
<b>967</b>	smoked paldao, low sheen <input type="checkbox"/>	+\$0
<b>969</b>	warm paldao, low sheen <input type="checkbox"/>	+\$0
<b>972</b>	sundance walnut, low sheen <input type="checkbox"/>	+\$0
<b>96G</b>	recograin wenge, low sheen <input type="checkbox"/>	+\$0
<b>98R</b>	recograin rosewood, low sheen <input type="checkbox"/>	+\$0
<b>99G</b>	recograin wenge, low sheen <input type="checkbox"/>	+\$0
<b>99R</b>	recograin rosewood, low sheen <input type="checkbox"/>	+\$0
<b>EK</b>	medium red walnut, low sheen <input type="checkbox"/>	+\$0
<b>G2U</b>	light brown walnut, low sheen <input type="checkbox"/>	+\$0
<b>G40</b>	dark brown walnut, low sheen <input type="checkbox"/>	+\$0

# Reframe Mid-Back Lounge Chair

continued

HermanMiller Collection—Lounge Seating

---

Step 4. Fabric	
Price Category 1	+\$0
Price Category 2	+\$165
Price Category (Geiger) 3	+\$207
Price Category (Geiger) 4	+\$252
Price Category 5	+\$368
Price Category (Geiger) 5	+\$368
Price Category (Geiger) 7	+\$599
Price Category 9	+\$1139
Price Category 11	+\$1467
Price Category (Geiger) 11	+\$1467
Price Category (Geiger) 14	+\$1922
Price Category (Geiger) C	+\$186
Price Category (Geiger) E	+\$298
Price Category (Geiger) G	+\$487
Price Category (Geiger) H	+\$606
Price Category (Geiger) COM <input type="checkbox"/>	+\$0
Price Category (Geiger) COL <input type="checkbox"/>	+\$252

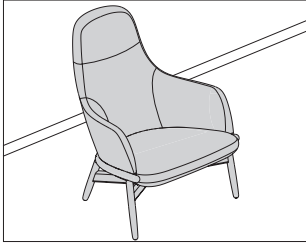
---

Step 5. Fire Retardancy	
<b>NOCAL</b> no cal-133 required <input type="checkbox"/>	+\$0



# Reframe High-Back Lounge Chair

SJBA  
SJBW



## Product Information

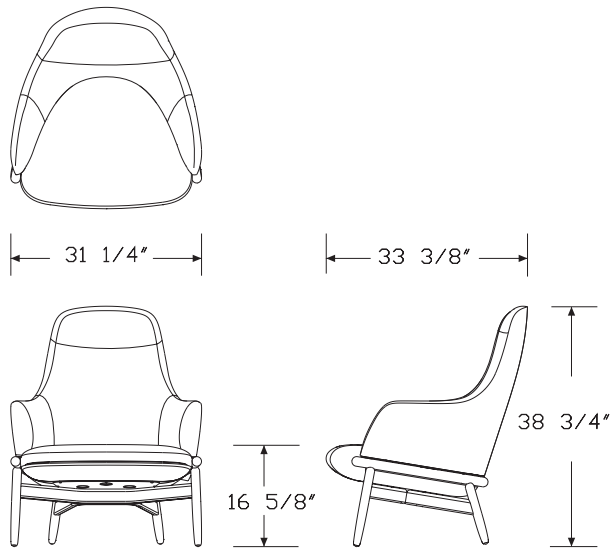
### Description

This chair has a solid wood frame. Seat and back are composed of rigid and flexible polyurethane foam.

### Notes

Customer's Own Material (COM) requires 3<sup>3</sup>/<sub>4</sub> yards. Customer's Own Leather (COL) requires 67<sup>1</sup>/<sub>2</sub> square feet.

### Dimensions



## Specification Information

### Step 1.

**SJB**  A

### Step 2. Wood Species

**A** ash  A

**W** walnut  A

### Prices for Steps 1-2.

**SJBA** \$2800

**SJBW** \$3295

### Step 3. Wood Finish

#### For ash (A)

<b>662</b>	toasted walnut, matte sheen <input type="checkbox"/> A	+\$0
<b>663</b>	charred walnut, matte sheen <input type="checkbox"/> A	+\$0
<b>664</b>	bronzed walnut, matte sheen <input type="checkbox"/> A	+\$0
<b>665</b>	smoked walnut, matte sheen <input type="checkbox"/> A	+\$0
<b>666</b>	coffee walnut, matte sheen <input type="checkbox"/> A	+\$0
<b>667</b>	smoked paldao, matte sheen <input type="checkbox"/> A	+\$0
<b>669</b>	warm paldao, matte sheen <input type="checkbox"/> A	+\$0
<b>66A</b>	recograin frosty ash, matte sheen <input type="checkbox"/> A	+\$0
<b>66G</b>	recograin wenge, matte sheen <input type="checkbox"/> A	+\$0
<b>66W</b>	recograin walnut, matte sheen <input type="checkbox"/> A	+\$0
<b>677</b>	chocolate ash, matte sheen <input type="checkbox"/> A	+\$0
<b>68R</b>	recograin rosewood, matte sheen <input type="checkbox"/> A	+\$0
<b>68W</b>	recograin walnut, matte sheen <input type="checkbox"/> A	+\$0
<b>69A</b>	recograin frosty ash, matte sheen <input type="checkbox"/> A	+\$0
<b>69G</b>	recograin wenge, matte sheen <input type="checkbox"/> A	+\$0
<b>69R</b>	recograin rosewood, matte sheen <input type="checkbox"/> A	+\$0
<b>69T</b>	recograin teak, matte sheen <input type="checkbox"/> A	+\$0
<b>69W</b>	recograin walnut, matte sheen <input type="checkbox"/> A	+\$0
<b>6A1</b>	white ash, matte sheen <input type="checkbox"/> A	+\$0
<b>6A2</b>	platinum ash, matte sheen <input type="checkbox"/> A	+\$0
<b>6ET</b>	clear on ash, matte sheen <input type="checkbox"/> A	+\$0
<b>6EU</b>	clear on oak, matte sheen <input type="checkbox"/> A	+\$0
<b>6EV</b>	walnut on ash, matte sheen <input type="checkbox"/> A	+\$0
<b>6K1</b>	rift oak, matte sheen <input type="checkbox"/> A	+\$0
<b>6K6</b>	burnt oak, matte sheen <input type="checkbox"/> A	+\$0
<b>ET</b>	clear on ash, matte sheen <input type="checkbox"/> A	+\$0
<b>EU</b>	oak on ash, matte sheen <input type="checkbox"/> A	+\$0
<b>EV</b>	walnut on ash, matte sheen <input type="checkbox"/> A	+\$0
<b>GOU</b>	walnut, matte sheen <input type="checkbox"/> A	+\$0

# Reframe High-Back Lounge Chair

continued

HermanMiller Collection—Lounge Seating

## For ash (A)

940	sundance cherry on maple, low sheen	A	+\$0
943	caramel cherry, low sheen	A	+\$0
946	cocoa cherry, low sheen	A	+\$0
956	cocoa sapele, low sheen	A	+\$0
962	toasted walnut, low sheen	A	+\$0
963	charred walnut, low sheen	A	+\$0
964	bronzed walnut, low sheen	A	+\$0
965	smoked walnut, low sheen	A	+\$0
966	coffee walnut, low sheen	A	+\$0
967	smoked paldao, low sheen	A	+\$0
969	warm paldao, low sheen	A	+\$0
96A	recograin frosty ash, low sheen	A	+\$0
96G	recograin wenge, low sheen	A	+\$0
96W	recograin walnut, low sheen	A	+\$0
977	chocolate ash, low sheen	A	+\$0
98R	recograin rosewood, low sheen	A	+\$0
98W	recograin walnut, low sheen	A	+\$0
991	champagne ash, low sheen	A	+\$0
998	ebony ash, low sheen	A	+\$0
99A	recograin frosty ash, low sheen	A	+\$0
99G	recograin wenge, low sheen	A	+\$0
99R	recograin rosewood, low sheen	A	+\$0
99T	recograin teak, low sheen	A	+\$0
99W	recograin walnut, low sheen	A	+\$0
9A1	white ash, quarter cut, low sheen	A	+\$0
9K1	rift oak, low sheen	A	+\$0
9K6	burnt oak, low sheen	A	+\$0
ED	aged cherry, low sheen	A	+\$0
EK	medium red walnut, low sheen	A	+\$0
G2U	light brown walnut, low sheen	A	+\$0
G40	dark brown walnut, low sheen	A	+\$0
UX	walnut on cherry, low sheen	A	+\$0

## For walnut (W)

662	toasted walnut, matte sheen	A	+\$0
663	charred walnut, matte sheen	A	+\$0
664	bronzed walnut, matte sheen	A	+\$0
665	smoked walnut, matte sheen	A	+\$0
666	coffee walnut, matte sheen	A	+\$0
667	smoked paldao, matte sheen	A	+\$0
669	warm paldao, matte sheen	A	+\$0
66G	recograin wenge, matte sheen	A	+\$0
68R	recograin rosewood, matte sheen	A	+\$0
69G	recograin wenge, matte sheen	A	+\$0
69R	recograin rosewood, matte sheen	A	+\$0
6EV	walnut on ash, matte sheen	A	+\$0
EV	walnut on ash, matte sheen	A	+\$0
GOU	walnut, matte sheen	A	+\$0

## For walnut (W)

962	toasted walnut, low sheen	A	+\$0
963	charred walnut, low sheen	A	+\$0
964	bronzed walnut, low sheen	A	+\$0
965	smoked walnut, low sheen	A	+\$0
966	coffee walnut, low sheen	A	+\$0
967	smoked paldao, low sheen	A	+\$0
969	warm paldao, low sheen	A	+\$0
972	sundance walnut, low sheen	A	+\$0
96G	recograin wenge, low sheen	A	+\$0
98R	recograin rosewood, low sheen	A	+\$0
99G	recograin wenge, low sheen	A	+\$0
99R	recograin rosewood, low sheen	A	+\$0
EK	medium red walnut, low sheen	A	+\$0
G2U	light brown walnut, low sheen	A	+\$0
G40	dark brown walnut, low sheen	A	+\$0

# Reframe High-Back Lounge Chair

continued

---

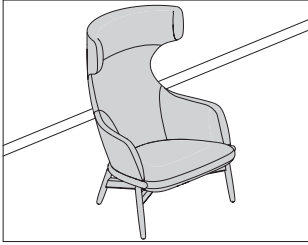
Step 4. Fabric	
Price Category 1	+\$0
Price Category 2	+\$177
Price Category (Geiger) 3	+\$222
Price Category (Geiger) 4	+\$270
Price Category 5	+\$394
Price Category (Geiger) 5	+\$394
Price Category (Geiger) 7	+\$642
Price Category 9	+\$1219
Price Category 11	+\$1572
Price Category (Geiger) 14	+\$2059
Price Category (Geiger) C	+\$199
Price Category (Geiger) G	+\$522
Price Category (Geiger) H	+\$649
Price Category (Geiger) COM <input type="checkbox"/> A	+\$0
Price Category (Geiger) COL <input type="checkbox"/> A	+\$270

---

Step 5. Fire Retardancy	
<b>NOCAL</b> no cal-133 required <input type="checkbox"/> A	+\$0

# Reframe Wing-Back Lounge Chair

SJCA  
SJCW



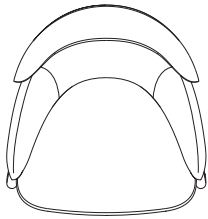
HermanMiller Collection—Lounge Seating

## Product Information

**Description**  
This chair has a solid wood frame. Seat and back are composed of rigid and flexible polyurethane foam.

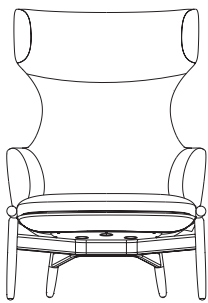
**Notes**  
Customer's Own Material (COM) requires 4 1/4 yards. Customer's Own Leather (COL) requires 81 square feet.

## Dimensions

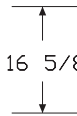


31 1/4"

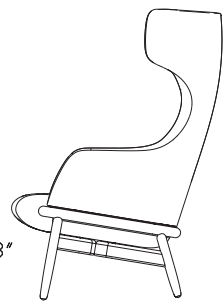
33 1/2"



45 1/4"



16 5/8"



## Specification Information

**Step 1.**

**SJC**

**Step 2. Wood Species**

**A** ash

**W** walnut

**Prices for Steps 1-2.**

**SJCA** \$3000

**SJCW** \$3495

**Step 3. Wood Finish**

*For ash (A)*

<b>662</b>	toasted walnut, matte sheen <input type="checkbox"/>	+\$0
<b>663</b>	charred walnut, matte sheen <input type="checkbox"/>	+\$0
<b>664</b>	bronzed walnut, matte sheen <input type="checkbox"/>	+\$0
<b>665</b>	smoked walnut, matte sheen <input type="checkbox"/>	+\$0
<b>666</b>	coffee walnut, matte sheen <input type="checkbox"/>	+\$0
<b>667</b>	smoked paldao, matte sheen <input type="checkbox"/>	+\$0
<b>669</b>	warm paldao, matte sheen <input type="checkbox"/>	+\$0
<b>66A</b>	recograin frosty ash, matte sheen <input type="checkbox"/>	+\$0
<b>66G</b>	recograin wenge, matte sheen <input type="checkbox"/>	+\$0
<b>66W</b>	recograin walnut, matte sheen <input type="checkbox"/>	+\$0
<b>677</b>	chocolate ash, matte sheen <input type="checkbox"/>	+\$0
<b>68R</b>	recograin rosewood, matte sheen <input type="checkbox"/>	+\$0
<b>68W</b>	recograin walnut, matte sheen <input type="checkbox"/>	+\$0
<b>69A</b>	recograin frosty ash, matte sheen <input type="checkbox"/>	+\$0
<b>69G</b>	recograin wenge, matte sheen <input type="checkbox"/>	+\$0
<b>69R</b>	recograin rosewood, matte sheen <input type="checkbox"/>	+\$0
<b>69T</b>	recograin teak, matte sheen <input type="checkbox"/>	+\$0
<b>69W</b>	recograin walnut, matte sheen <input type="checkbox"/>	+\$0
<b>6A1</b>	white ash, matte sheen <input type="checkbox"/>	+\$0
<b>6A2</b>	platinum ash, matte sheen <input type="checkbox"/>	+\$0
<b>6ET</b>	clear on ash, matte sheen <input type="checkbox"/>	+\$0
<b>6EU</b>	clear on oak, matte sheen <input type="checkbox"/>	+\$0
<b>6EV</b>	walnut on ash, matte sheen <input type="checkbox"/>	+\$0
<b>6K1</b>	rift oak, matte sheen <input type="checkbox"/>	+\$0
<b>6K6</b>	burnt oak, matte sheen <input type="checkbox"/>	+\$0
<b>ET</b>	clear on ash, matte sheen <input type="checkbox"/>	+\$0
<b>EU</b>	oak on ash, matte sheen <input type="checkbox"/>	+\$0
<b>EV</b>	walnut on ash, matte sheen <input type="checkbox"/>	+\$0
<b>GOU</b>	walnut, matte sheen <input type="checkbox"/>	+\$0

# Reframe Wing-Back Lounge Chair

continued

## For ash (A)

<b>940</b>	sundance cherry on maple, low sheen <input type="checkbox"/>	+\$0
<b>943</b>	caramel cherry, low sheen <input type="checkbox"/>	+\$0
<b>946</b>	cocoa cherry, low sheen <input type="checkbox"/>	+\$0
<b>956</b>	cocoa sapele, low sheen <input type="checkbox"/>	+\$0
<b>962</b>	toasted walnut, low sheen <input type="checkbox"/>	+\$0
<b>963</b>	charred walnut, low sheen <input type="checkbox"/>	+\$0
<b>964</b>	bronzed walnut, low sheen <input type="checkbox"/>	+\$0
<b>965</b>	smoked walnut, low sheen <input type="checkbox"/>	+\$0
<b>966</b>	coffee walnut, low sheen <input type="checkbox"/>	+\$0
<b>967</b>	smoked paldao, low sheen <input type="checkbox"/>	+\$0
<b>969</b>	warm paldao, low sheen <input type="checkbox"/>	+\$0
<b>96A</b>	recograin frosty ash, low sheen <input type="checkbox"/>	+\$0
<b>96G</b>	recograin wenge, low sheen <input type="checkbox"/>	+\$0
<b>96W</b>	recograin walnut, low sheen <input type="checkbox"/>	+\$0
<b>977</b>	chocolate ash, low sheen <input type="checkbox"/>	+\$0
<b>98R</b>	recograin rosewood, low sheen <input type="checkbox"/>	+\$0
<b>98W</b>	recograin walnut, low sheen <input type="checkbox"/>	+\$0
<b>991</b>	champagne ash, low sheen <input type="checkbox"/>	+\$0
<b>998</b>	ebony ash, low sheen <input type="checkbox"/>	+\$0
<b>99A</b>	recograin frosty ash, low sheen <input type="checkbox"/>	+\$0
<b>99G</b>	recograin wenge, low sheen <input type="checkbox"/>	+\$0
<b>99R</b>	recograin rosewood, low sheen <input type="checkbox"/>	+\$0
<b>99T</b>	recograin teak, low sheen <input type="checkbox"/>	+\$0
<b>99W</b>	recograin walnut, low sheen <input type="checkbox"/>	+\$0
<b>9A1</b>	white ash, quarter cut, low sheen <input type="checkbox"/>	+\$0
<b>9K1</b>	rift oak, low sheen <input type="checkbox"/>	+\$0
<b>9K6</b>	burnt oak, low sheen <input type="checkbox"/>	+\$0
<b>ED</b>	aged cherry, low sheen <input type="checkbox"/>	+\$0
<b>EK</b>	medium red walnut, low sheen <input type="checkbox"/>	+\$0
<b>G2U</b>	light brown walnut, low sheen <input type="checkbox"/>	+\$0
<b>G40</b>	dark brown walnut, low sheen <input type="checkbox"/>	+\$0
<b>UX</b>	walnut on cherry, low sheen <input type="checkbox"/>	+\$0

## For walnut (W)

<b>662</b>	toasted walnut, matte sheen <input type="checkbox"/>	+\$0
<b>663</b>	charred walnut, matte sheen <input type="checkbox"/>	+\$0
<b>664</b>	bronzed walnut, matte sheen <input type="checkbox"/>	+\$0
<b>665</b>	smoked walnut, matte sheen <input type="checkbox"/>	+\$0
<b>666</b>	coffee walnut, matte sheen <input type="checkbox"/>	+\$0
<b>667</b>	smoked paldao, matte sheen <input type="checkbox"/>	+\$0
<b>669</b>	warm paldao, matte sheen <input type="checkbox"/>	+\$0
<b>66G</b>	recograin wenge, matte sheen <input type="checkbox"/>	+\$0
<b>68R</b>	recograin rosewood, matte sheen <input type="checkbox"/>	+\$0
<b>69G</b>	recograin wenge, matte sheen <input type="checkbox"/>	+\$0
<b>69R</b>	recograin rosewood, matte sheen <input type="checkbox"/>	+\$0
<b>6EV</b>	walnut on ash, matte sheen <input type="checkbox"/>	+\$0
<b>EV</b>	walnut on ash, matte sheen <input type="checkbox"/>	+\$0
<b>GOU</b>	walnut, matte sheen <input type="checkbox"/>	+\$0

## For walnut (W)

<b>962</b>	toasted walnut, low sheen <input type="checkbox"/>	+\$0
<b>963</b>	charred walnut, low sheen <input type="checkbox"/>	+\$0
<b>964</b>	bronzed walnut, low sheen <input type="checkbox"/>	+\$0
<b>965</b>	smoked walnut, low sheen <input type="checkbox"/>	+\$0
<b>966</b>	coffee walnut, low sheen <input type="checkbox"/>	+\$0
<b>967</b>	smoked paldao, low sheen <input type="checkbox"/>	+\$0
<b>969</b>	warm paldao, low sheen <input type="checkbox"/>	+\$0
<b>972</b>	sundance walnut, low sheen <input type="checkbox"/>	+\$0
<b>96G</b>	recograin wenge, low sheen <input type="checkbox"/>	+\$0
<b>98R</b>	recograin rosewood, low sheen <input type="checkbox"/>	+\$0
<b>99G</b>	recograin wenge, low sheen <input type="checkbox"/>	+\$0
<b>99R</b>	recograin rosewood, low sheen <input type="checkbox"/>	+\$0
<b>EK</b>	medium red walnut, low sheen <input type="checkbox"/>	+\$0
<b>G2U</b>	light brown walnut, low sheen <input type="checkbox"/>	+\$0
<b>G40</b>	dark brown walnut, low sheen <input type="checkbox"/>	+\$0

### Step 4. Fabric

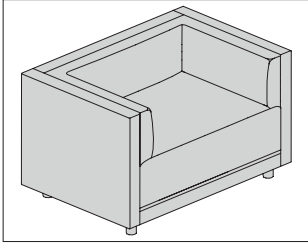
Price Category 5	+\$447
Price Category (Geiger) 5	+\$447
Price Category (Geiger) 7	+\$727
Price Category (Geiger) G	+\$591
Price Category (Geiger) H	+\$736
Price Category (Geiger) COM <input type="checkbox"/>	+\$0
Price Category (Geiger) COL <input type="checkbox"/>	+\$306

### Step 5. Fire Retardancy

<b>NOCAL</b> no cal-133 required <input type="checkbox"/>	+\$0
---	------

# Rolled Arm Club Chair

SBRA-



HermanMiller Collection—Lounge Seating

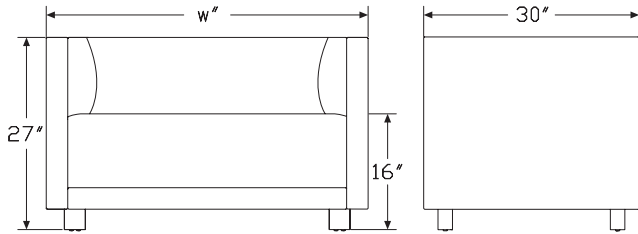
## Product Information

**Description**  
 This 43" wide chair is made of plywood with FR foam and Dacron® on the seat and back. The arms consist of FR foam, Dacron, and polyfoam. The legs are solid ash or walnut.

## Notes

Customers Own Material (COM) requires 6 yards. Customers Own Leather (COL) requires 108 square feet. See Order Information in Appendices.

## Dimensions



## Specification Information

Step 1.  
**SBRA-43** [A] \$3210

## Step 2. Wood Finish

Premium Veneer - Low Sheen		
940	sundance cherry on maple [A]	+\$0
943	caramel cherry [A]	+\$0
946	cocoa cherry [A]	+\$0
962	toasted walnut, low sheen [A]	+\$0
963	charred walnut, low sheen [A]	+\$0
964	bronzed walnut, low sheen [A]	+\$0
965	smoked walnut, low sheen [A]	+\$0
966	coffee walnut, low sheen [A]	+\$0
977	chocolate ash, low sheen [A]	+\$0
98R	recograin rosewood [A]	+\$0
991	champagne ash [A]	+\$0
998	ebony ash [A]	+\$0
99A	recograin frosty ash [A]	+\$0
99R	recograin rosewood [A]	+\$0
99T	recograin teak [A]	+\$0
9A1	white ash, quarter cut, low sheen [A]	+\$0
9K1	rift oak, rift cut, low sheen [A]	+\$0
9K6	burnt oak, rift cut, low sheen [A]	+\$0
ED	aged cherry [A]	+\$0
EK	medium red walnut [A]	+\$0
UX	walnut on cherry [A]	+\$0

Rolled Arm Club Chair *continued*

Premium Veneer - Matte		
662	toasted walnut, matte sheen <input type="checkbox"/> A	+\$0
663	charred walnut, matte sheen <input type="checkbox"/> A	+\$0
664	bronzed walnut, matte sheen <input type="checkbox"/> A	+\$0
665	smoked walnut, matte sheen <input type="checkbox"/> A	+\$0
666	coffee walnut, matte sheen <input type="checkbox"/> A	+\$0
667	smoked paldao, quarter cut, matte sheen <input type="checkbox"/> A	+\$0
669	warm paldao, quarter cut, matte sheen <input type="checkbox"/> A	+\$0
66A	recograin frosty ash <input type="checkbox"/> A	+\$0
677	chocolate ash, matte sheen <input type="checkbox"/> A	+\$0
68R	recograin rosewood <input type="checkbox"/> A	+\$0
69A	recograin frosty ash <input type="checkbox"/> A	+\$0
69R	recograin rosewood <input type="checkbox"/> A	+\$0
69T	recograin teak <input type="checkbox"/> A	+\$0
6A1	white ash <input type="checkbox"/> A	+\$0
6K1	rift oak <input type="checkbox"/> A	+\$0
6K6	burnt oak <input type="checkbox"/> A	+\$0
ET	clear on ash <input type="checkbox"/> A	+\$0
EU	oak on ash <input type="checkbox"/> A	+\$0
EV	walnut on ash <input type="checkbox"/> A	+\$0
GOU	natural walnut, flat cut, matte sheen <input type="checkbox"/> A	+\$0

RecoGrain Veneer		
66G	recograin wenge <input type="checkbox"/> A	+\$0
68W	recograin walnut, flat cut, matte sheen <input type="checkbox"/> A	+\$0
69G	recograin wenge <input type="checkbox"/> A	+\$0
69W	recograin walnut, quarter cut, matte sheen <input type="checkbox"/> A	+\$0

Recon Veneer -		
96G	wenge recograin, quarter cut, low sheen <input type="checkbox"/> A	+\$0
98W	recograin walnut, flat cut, low sheen <input type="checkbox"/> A	+\$0
99G	recograin wenge, quarter cut, low sheen <input type="checkbox"/> A	+\$0
99W	recograin walnut, quarter cut, low sheen <input type="checkbox"/> A	+\$0

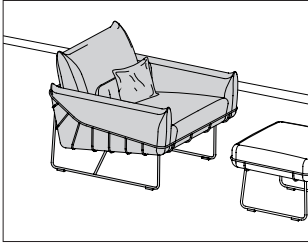
Step 3. Upholstery	
Price Category (Geiger) COM <input type="checkbox"/> A	+\$0
Price Category (Geiger) COL <input type="checkbox"/> A	+\$432
Price Category 1	+\$0
Price Category (Geiger) 2	+\$0
Price Category 2	+\$282
Price Category (Geiger) 3	+\$354
Price Category 3	+\$354
Price Category (Geiger) 4	+\$432
Price Category 4	+\$576
Price Category (Geiger) 5	+\$630
Price Category 5	+\$630
Price Category (Geiger) 6	+\$828

Price Category (Geiger) 7	+\$1026
Price Category (Geiger) 8	+\$1572
Price Category (Geiger) 9	+\$1950
Price Category 9	+\$1950
Price Category (Geiger) 10	+\$2244
Price Category (Geiger) 11	+\$2514
Price Category (Geiger) 14	+\$3294
Price Category (Geiger) C	+\$318
Price Category (Geiger) D	+\$420
Price Category (Geiger) E	+\$510
Price Category (Geiger) F	+\$612
Price Category (Geiger) G	+\$834
Price Category (Geiger) H	+\$1038
Price Category (Geiger) I	+\$1254
Price Category (Geiger) J	+\$1470
Price Category (Geiger) K	+\$1686
Price Category (Geiger) L	+\$1902
Price Category (Geiger) N	+\$2334
Price Category (Geiger) P	+\$2760
Price Category (Geiger) Q	+\$3186
Price Category (Geiger) U	+\$5430
Price Category (Geiger) X	+\$6420

Step 4. Fire Retardancy	
<b>NOCAL</b> no cal-133 required <input type="checkbox"/> A	+\$0
<b>133</b> cal-133 required <input type="checkbox"/> A	+\$390

# Wireframe™ Chair

BK110



HermanMiller Collection—Lounge Seating

## Product Information

### Description

This chair has contoured cushions on a separate wire frame structure, featuring SuperSeat™ technology. Lumbar and throw pillows included.

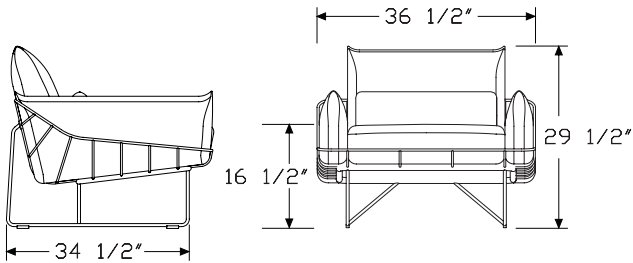
### Notes

Fire retardant chair meets CAL 133 requirements.

COM/COL requires 7 yards/126 square feet per chair.

Lumbar and throw pillows are shipped in same material specified for chair cushions.

### Dimensions



## Specification Information

### Step 1.

**BK11000** [A] \$3955

### Step 2. Frame Finish

**91** white [A] +\$0  
**BK** black [A] +\$0

### Step 3. Fabric

Price Category 1 +\$0  
 Price Category 2 +\$125  
 Price Category (Geiger) 3 +\$180  
 Price Category 3 +\$180  
 Price Category (Geiger) 4 +\$300  
 Price Category 4 +\$300  
 Price Category (Geiger) 5 +\$450  
 Price Category 5 +\$450  
 Price Category (Geiger) 6 +\$600  
 Price Category 6 +\$600  
 Price Category (Geiger) 7 +\$800  
 Price Category 7 +\$800  
 Price Category (Geiger) 8 +\$1600  
 Price Category (Geiger) 9 +\$1300  
 Price Category 9 +\$1300  
 Price Category (Geiger) 10 +\$1500  
 Price Category 10 +\$1500  
 Price Category (Geiger) 11 +\$1700  
 Price Category 11 +\$1700  
 Price Category 14 +\$2400  
 Price Category B +\$197  
 Price Category C +\$325  
 Price Category D +\$412  
 Price Category E +\$497  
 Price Category F +\$643  
 Price Category G +\$835  
 Price Category (Geiger) H +\$1015  
 Price Category H +\$1400  
 Price Category I +\$1600  
 Price Category J +\$1015  
 Price Category K +\$1193  
 Price Category L +\$1371  
 Price Category M +\$1550  
 Price Category N +\$1728  
 Price Category O +\$1906  
 Price Category P +\$2084  
 Price Category Q +\$2262  
 Price Category R +\$4093



# Wireframe™ Chair *continued*

Price Category S	+\$2627
Price Category T	+\$2823
Price Category U	+\$3019
Price Category X	+\$5569
Price Category Y	+\$5864

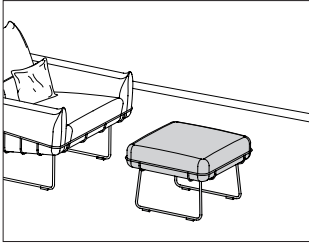
---

## Step 4. Fire Retardancy

<b>NOCAL</b> not fire retardant <input type="checkbox"/>	+\$0
<b>133</b> fire retardant <input type="checkbox"/>	+\$244

# Wireframe™ Ottoman

BK104



HermanMiller Collection—Lounge Seating

## Product Information

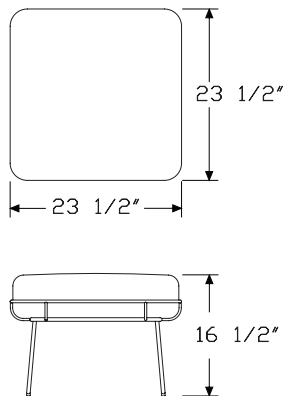
### Description

This ottoman has contoured cushions on a separate wire frame structure, featuring SuperSeat™ technology.

### Notes

Fire retardant ottoman meets CAL 133 requirements.  
 COM/COL requires 2½ yards/36 square feet per ottoman.

### Dimensions



## Specification Information

### Step 1.

**BK10400** [A] \$1880

### Step 2. Frame Finish

**91** white [A] +\$0  
**BK** black [A] +\$0

### Step 3. Fabric

Price Category 1 +\$0  
 Price Category 2 +\$60  
 Price Category (Geiger) 3 +\$80  
 Price Category 3 +\$80  
 Price Category (Geiger) 4 +\$110  
 Price Category 4 +\$110  
 Price Category (Geiger) 5 +\$150  
 Price Category 5 +\$150  
 Price Category (Geiger) 6 +\$190  
 Price Category 6 +\$190  
 Price Category (Geiger) 7 +\$250  
 Price Category 7 +\$250  
 Price Category 8 +\$1600  
 Price Category (Geiger) 8 +\$1600  
 Price Category (Geiger) 9 +\$385  
 Price Category 9 +\$385  
 Price Category (Geiger) 10 +\$450  
 Price Category 10 +\$450  
 Price Category (Geiger) 11 +\$520  
 Price Category 11 +\$520  
 Price Category 14 +\$720  
 Price Category B +\$64  
 Price Category C +\$107  
 Price Category D +\$147  
 Price Category E +\$178  
 Price Category F +\$230  
 Price Category G +\$298  
 Price Category (Geiger) H +\$410  
 Price Category H +\$363  
 Price Category I +\$426  
 Price Category J +\$490  
 Price Category K +\$553  
 Price Category L +\$617  
 Price Category M +\$681  
 Price Category N +\$744  
 Price Category O +\$808  
 Price Category P +\$871  
 Price Category Q +\$938

Wireframe™ Ottoman *continued*

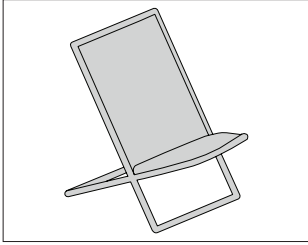
Price Category R	+\$1334
Price Category S	+\$1078
Price Category T	+\$1148
Price Category U	+\$1218
Price Category X	+\$1815
Price Category Y	+\$1911

Step 4. Fire Retardancy

<b>NOCAL</b> not fire retardant <input type="checkbox"/>	+\$0
<b>133</b> fire retardant <input type="checkbox"/>	+\$98

# Scissor Chair

SBSC-  
SBSD-



HermanMiller Collection—Lounge Seating

### Product Information

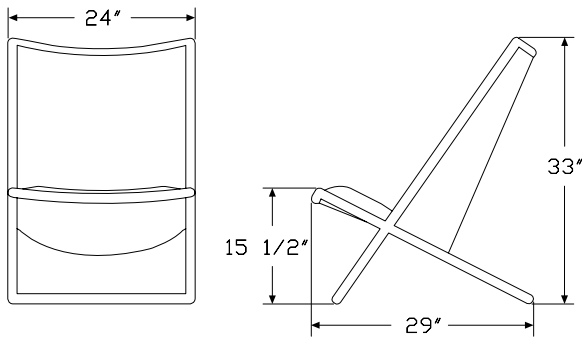
#### Description

The frame of this chair is solid ash. The seat has foam and Dacron® over plywood. The back is FR foam over hardwood insert.

#### Notes

Customers Own Material (COM) requires 3½ yards. Customers Own Leather (COL) requires 58 square feet. See Order Information in Appendices.

#### Dimensions



### Specification Information

#### Step 1.

**SBS**

#### Step 2. Frame

**C-1098** solid ash

**D-1099** welded tubular steel

#### Prices for Steps 1-2.

**SBSC-1098** \$2470

**SBSD-1099** \$2760

#### Step 3. Wood Finish

*For solid ash (C-1098)*

#### Premium Veneer - Low Sheen

<b>932</b>	sundance anigre <input type="checkbox"/>	+\$0
<b>933</b>	caramel anigre <input type="checkbox"/>	+\$0
<b>934</b>	henna anigre <input type="checkbox"/>	+\$0
<b>940</b>	sundance cherry on maple <input type="checkbox"/>	+\$0
<b>943</b>	caramel cherry <input type="checkbox"/>	+\$0
<b>946</b>	cocoa cherry <input type="checkbox"/>	+\$0
<b>956</b>	cocoa sapele <input type="checkbox"/>	+\$0
<b>962</b>	toasted walnut, low sheen <input type="checkbox"/>	+\$0
<b>963</b>	charred walnut, low sheen <input type="checkbox"/>	+\$0
<b>964</b>	bronzed walnut, low sheen <input type="checkbox"/>	+\$0
<b>965</b>	smoked walnut, low sheen <input type="checkbox"/>	+\$0
<b>966</b>	coffee walnut, low sheen <input type="checkbox"/>	+\$0
<b>967</b>	smoked paldao, low sheen <input type="checkbox"/>	+\$0
<b>969</b>	warm paldao, low sheen <input type="checkbox"/>	+\$0
<b>972</b>	sundance walnut <input type="checkbox"/>	+\$0
<b>977</b>	chocolate ash, low sheen <input type="checkbox"/>	+\$0
<b>98R</b>	recograin rosewood <input type="checkbox"/>	+\$0
<b>991</b>	champagne ash <input type="checkbox"/>	+\$0
<b>998</b>	ebony ash <input type="checkbox"/>	+\$0
<b>99A</b>	recograin frosty ash <input type="checkbox"/>	+\$0
<b>99R</b>	recograin rosewood <input type="checkbox"/>	+\$0
<b>99T</b>	recograin teak <input type="checkbox"/>	+\$0
<b>9A1</b>	white ash, quarter cut, low sheen <input type="checkbox"/>	+\$0
<b>9K1</b>	rift oak, rift cut, low sheen <input type="checkbox"/>	+\$0
<b>9K6</b>	burnt oak, rift cut, low sheen <input type="checkbox"/>	+\$0
<b>ED</b>	aged cherry <input type="checkbox"/>	+\$0
<b>EK</b>	medium red walnut <input type="checkbox"/>	+\$0
<b>G2U</b>	light brown walnut, low sheen <input type="checkbox"/>	+\$0
<b>G40</b>	dark brown walnut, low sheen <input type="checkbox"/>	+\$0
<b>UX</b>	walnut on cherry <input type="checkbox"/>	+\$0

Premium Veneer - Matte		
662	toasted walnut, matte sheen <input type="checkbox"/> A	+\$0
663	charred walnut, matte sheen <input type="checkbox"/> A	+\$0
664	bronzed walnut, matte sheen <input type="checkbox"/> A	+\$0
665	smoked walnut, matte sheen <input type="checkbox"/> A	+\$0
666	coffee walnut, matte sheen <input type="checkbox"/> A	+\$0
667	smoked paldao, quarter cut, matte sheen <input type="checkbox"/> A	+\$0
669	warm paldao, quarter cut, matte sheen <input type="checkbox"/> A	+\$0
66A	recograin frosty ash <input type="checkbox"/> A	+\$0
677	chocolate ash, matte sheen <input type="checkbox"/> A	+\$0
68R	recograin rosewood <input type="checkbox"/> A	+\$0
69A	recograin frosty ash <input type="checkbox"/> A	+\$0
69R	recograin rosewood <input type="checkbox"/> A	+\$0
69T	recograin teak <input type="checkbox"/> A	+\$0
6A1	white ash <input type="checkbox"/> A	+\$0
6K1	rift oak <input type="checkbox"/> A	+\$0
6K6	burnt oak <input type="checkbox"/> A	+\$0
ET	clear on ash <input type="checkbox"/> A	+\$0
EU	oak on ash <input type="checkbox"/> A	+\$0
EV	walnut on ash <input type="checkbox"/> A	+\$0
GOU	natural walnut, flat cut, matte sheen <input type="checkbox"/> A	+\$0

RecoGrain Veneer		
66G	recograin wenge <input type="checkbox"/> A	+\$0
68W	recograin walnut, flat cut, matte sheen <input type="checkbox"/> A	+\$0
69G	recograin wenge <input type="checkbox"/> A	+\$0
69W	recograin walnut, quarter cut, matte sheen <input type="checkbox"/> A	+\$0

Recon Veneer -		
96G	wenge recograin, quarter cut, low sheen <input type="checkbox"/> A	+\$0
98W	recograin walnut, flat cut, low sheen <input type="checkbox"/> A	+\$0
99G	recograin wenge, quarter cut, low sheen <input type="checkbox"/> A	+\$0
99W	recograin walnut, quarter cut, low sheen <input type="checkbox"/> A	+\$0

Step 4. Upholstery	
Price Category (Geiger) 1	+\$137
Price Category 1	+\$0
Price Category (Geiger) 2	+\$0
Price Category 2	+\$165
Price Category (Geiger) 3	+\$207
Price Category 3	+\$207
Price Category (Geiger) 4	+\$252
Price Category 4	+\$252
Price Category (Geiger) 5	+\$368
Price Category 5	+\$368
Price Category (Geiger) 6	+\$483
Price Category (Geiger) 7	+\$599

Price Category (Geiger) 8	+\$917
Price Category (Geiger) 9	+\$1138
Price Category 9	+\$1138
Price Category (Geiger) 10	+\$1309
Price Category (Geiger) 11	+\$1467
Price Category (Geiger) 14	+\$1922
Price Category (Geiger) A	+\$193
Price Category (Geiger) B	+\$210
Price Category (Geiger) C	+\$228
Price Category (Geiger) D	+\$263
Price Category (Geiger) E	+\$298
Price Category (Geiger) F	+\$333
Price Category (Geiger) G	+\$368
Price Category (Geiger) H	+\$403
Price Category (Geiger) I	+\$732
Price Category (Geiger) J	+\$455
Price Category (Geiger) K	+\$508
Price Category (Geiger) L	+\$560
Price Category (Geiger) M	+\$630
Price Category (Geiger) N	+\$700
Price Category (Geiger) O	+\$1488
Price Category (Geiger) P	+\$770
Price Category (Geiger) Q	+\$1463
Price Category (Geiger) R	+\$2590
Price Category (Geiger) S	+\$2783
Price Category (Geiger) U	+\$3168
Price Category (Geiger) V	+\$3360
Price Category (Geiger) X	+\$3745
Price Category (Geiger) Y	+\$3938
Price Category (Geiger) COM <input type="checkbox"/> A	+\$0
Price Category (Geiger) COL <input type="checkbox"/> A	+\$252

Step 5. Base Finish		
<i>For welded tubular steel (D-1099)</i>		
CHR	chrome <input type="checkbox"/> A	+\$0
SAC	satin chrome <input type="checkbox"/> A	+\$0

Step 6. Fire Retardancy		
NOCAL	not fire retardant <input type="checkbox"/> A	+\$0
133	fire retardant <input type="checkbox"/> A	+\$228

# Sled Chair

SBSU-



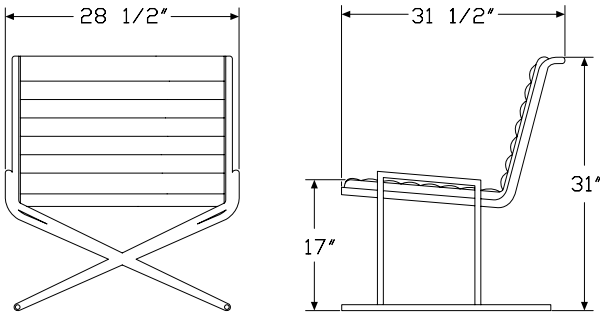
HermanMiller Collection—Lounge Seating

## Product Information

**Description**  
This chair has a welded tubular steel frame. The seat consists of foam and Dacron® over plywood. The back is FR foam over hardwood insert.

**Notes**  
Customers Own Material (COM) requires 3 yards. Customers Own Leather (COL) requires 54 square feet. See Order Information in Appendices.

## Dimensions



## Specification Information

Step 1.

**SBS** A

Step 2. Material

**U-1060** upholstery A

Prices for Steps 1-2.

**SBSU-1060** \$4140

Step 3. Upholstery

Price Category (Geiger) 1	+\$117
Price Category 1	+\$0
Price Category (Geiger) 2	+\$141
Price Category 2	+\$141
Price Category (Geiger) 3	+\$177
Price Category 3	+\$207
Price Category (Geiger) 4	+\$216
Price Category 4	+\$216
Price Category (Geiger) 5	+\$315
Price Category 5	+\$315
Price Category (Geiger) 6	+\$414
Price Category (Geiger) 7	+\$513
Price Category (Geiger) 8	+\$786
Price Category (Geiger) 9	+\$975
Price Category 9	+\$975
Price Category (Geiger) 10	+\$1122
Price Category (Geiger) 11	+\$1257
Price Category (Geiger) 14	+\$1647
Price Category (Geiger) A	+\$165
Price Category (Geiger) B	+\$180
Price Category (Geiger) C	+\$195
Price Category (Geiger) D	+\$225
Price Category (Geiger) E	+\$255
Price Category (Geiger) F	+\$285
Price Category (Geiger) G	+\$315
Price Category (Geiger) H	+\$345
Price Category (Geiger) I	+\$627
Price Category (Geiger) J	+\$390
Price Category (Geiger) K	+\$435
Price Category (Geiger) L	+\$480
Price Category (Geiger) M	+\$540
Price Category (Geiger) N	+\$600
Price Category (Geiger) O	+\$1275
Price Category (Geiger) P	+\$660
Price Category (Geiger) Q	+\$1350
Price Category (Geiger) R	+\$2220

# Sled Chair *continued*

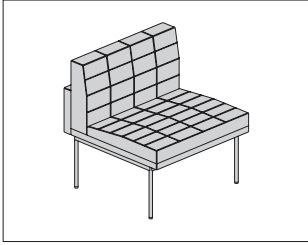
Price Category (Geiger) S	+\$2385
Price Category (Geiger) V	+\$2880
Price Category (Geiger) X	+\$3210
Price Category (Geiger) COM <input type="checkbox"/>	+\$0
Price Category (Geiger) COL <input type="checkbox"/>	+\$216

Step 4. Base Finish		
<b>BNZ</b>	bronze <input type="checkbox"/>	+\$0
<b>CHR</b>	chrome <input type="checkbox"/>	+\$0
<b>SAC</b>	satin chrome <input type="checkbox"/>	+\$0

Step 5. Fire Retardancy		
<b>NOCAL</b>	not fire retardant <input type="checkbox"/>	+\$0
<b>133</b>	fire retardant <input type="checkbox"/>	+\$195

## Tuxedo Component Lounge™ Club Chair

ST1AN  
ST1AQ  
ST1NN  
ST1NQ



### Product Information

#### Description

This club chair has a foam and Dacron® seat with a painted or plated steel base.

#### Notes

Customer's Own Material (COM)/Customer's Own Leather (COL) requires the following:

Type—COM—COL

ST1NN—3¾ yards—67½ square feet

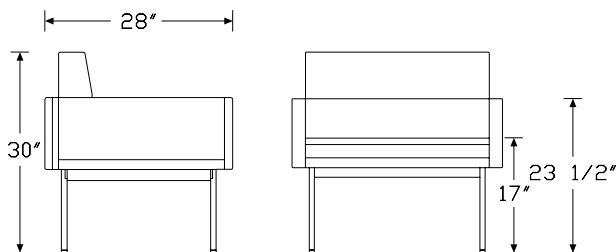
ST1NQ—3¾ yards—67½ square feet

ST1AN—5½ yards—99 square feet

ST1AQ—5½ yards—99 square feet

See Order Information in Appendices for more information.

#### Dimensions



### Specification Information

#### Step 1.

**ST1**  A

#### Step 2. Arms

**N** no arms  A

**A** arms  A

#### Step 3. Upholstery Type

**N** not quilted  A

**Q** quilted  A

#### Prices for Steps 1-3.

<b>ST1NN</b>	\$2200
<b>ST1NQ</b>	\$2365
<b>ST1AN</b>	\$2785
<b>ST1AQ</b>	\$2895

#### Step 4. Upholstery

#### For not quilted (N)

	<b>N</b>	<b>A</b>
Price Category (Geiger) 1	+\$146	215
Price Category 1	+\$0	0
Price Category (Geiger) 2	+\$176	259
Price Category 2	+\$176	259
Price Category (Geiger) 3	+\$221	325
Price Category 3	+\$221	325
Price Category (Geiger) 4	+\$270	396
Price Category 4	+\$270	396
Price Category (Geiger) 5	+\$394	578
Price Category 5	+\$394	578
Price Category (Geiger) 6	+\$518	759
Price Category (Geiger) 7	+\$641	941
Price Category (Geiger) 8	+\$983	1441
Price Category (Geiger) 9	+\$1219	1788
Price Category 9	+\$1788	1788
Price Category (Geiger) 10	+\$1403	2057
Price Category (Geiger) 11	+\$1571	2305
Price Category 14	+\$2059	3020
Price Category (Geiger) A	+\$124	182
Price Category (Geiger) C	+\$199	292
Price Category (Geiger) D	+\$263	385
Price Category (Geiger) E	+\$319	468
Price Category (Geiger) F	+\$383	561
Price Category (Geiger) G	+\$521	765
Price Category (Geiger) H	+\$649	952



# Tuxedo Component Lounge™ Club Chair *continued*

Price Category (Geiger) I	+\$784	1150
Price Category (Geiger) J	+\$919	1348
Price Category (Geiger) K	+\$1054	1546
Price Category (Geiger) L	+\$1189	1744
Price Category (Geiger) M	+\$1324	1942
Price Category (Geiger) N	+\$1459	2140
Price Category (Geiger) O	+\$1594	2338
Price Category (Geiger) P	+\$1725	2530
Price Category (Geiger) Q	+\$1991	2921
Price Category (Geiger) R	+\$3188	4070
Price Category (Geiger) S	+\$2981	4373
Price Category (Geiger) V	+\$3600	5280
Price Category (Geiger) X	+\$4013	5885
Price Category (Geiger) Y	+\$4219	6188
Price Category (Geiger) COM <input type="checkbox"/>	+\$0	0
Price Category (Geiger) COL <input type="checkbox"/>	+\$270	396

## For quilted (Q)

	N	A
Price Category (Geiger) 1	+\$146	215
Price Category 1	+\$0	0
Price Category (Geiger) 2	+\$176	259
Price Category 2	+\$176	259
Price Category (Geiger) 3	+\$221	325
Price Category 3	+\$221	325
Price Category (Geiger) 4	+\$270	396
Price Category 4	+\$270	396
Price Category (Geiger) 5	+\$394	578
Price Category 5	+\$394	578
Price Category (Geiger) 6	+\$518	759
Price Category (Geiger) 7	+\$641	941
Price Category (Geiger) 8	+\$983	1441
Price Category (Geiger) 9	+\$1219	1788
Price Category 9	+\$1788	1788
Price Category (Geiger) 10	+\$1403	2057
Price Category (Geiger) 11	+\$1571	2305
Price Category 14	+\$2059	3020
Price Category (Geiger) A	+\$124	182
Price Category (Geiger) C	+\$199	292
Price Category (Geiger) D	+\$263	385
Price Category (Geiger) E	+\$319	468
Price Category (Geiger) F	+\$383	561
Price Category (Geiger) G	+\$521	765
Price Category (Geiger) H	+\$649	952
Price Category (Geiger) I	+\$784	1150
Price Category (Geiger) J	+\$919	1348
Price Category (Geiger) K	+\$1054	1546

Price Category (Geiger) L	+\$1189	1744
Price Category (Geiger) M	+\$1324	1942
Price Category (Geiger) N	+\$1459	2140
Price Category (Geiger) O	+\$1594	2338
Price Category (Geiger) P	+\$1725	2530
Price Category (Geiger) Q	+\$1991	2921
Price Category (Geiger) R	+\$3188	4070
Price Category (Geiger) S	+\$2981	4373
Price Category (Geiger) V	+\$3600	5280
Price Category (Geiger) COM <input type="checkbox"/>	+\$0	0
Price Category (Geiger) COL <input type="checkbox"/>	+\$270	396

## Step 5. Base Finish

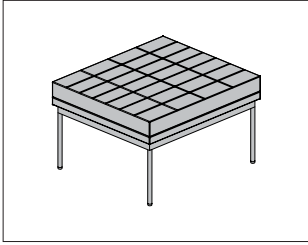
<b>926</b> black <input type="checkbox"/>	+\$0
<b>AS</b> arctic silver <input type="checkbox"/>	+\$0
<b>WHT</b> white <input type="checkbox"/>	+\$0
<b>BNZ</b> bronze <input type="checkbox"/>	+\$295
<b>CHR</b> chrome <input type="checkbox"/>	+\$295
<b>SAC</b> satin chrome <input type="checkbox"/>	+\$295

## Step 6. Fire Retardancy

	N	A
<b>NOCAL</b> not fire retardant <input type="checkbox"/>	+\$0	0
<b>133</b> fire retardant <input type="checkbox"/>	+\$244	358

Tuxedo Component Lounge™  
Ottoman

ST1BN  
ST1BQ



HermanMiller Collection—Lounge Seating

**Product Information**

**Description**

This 17"-high ottoman has a foam and Dacron® seat with a painted or plated steel base.

**Notes**

Customer's Own Material (COM)/Customer's Own Leather (COL) requires the following:

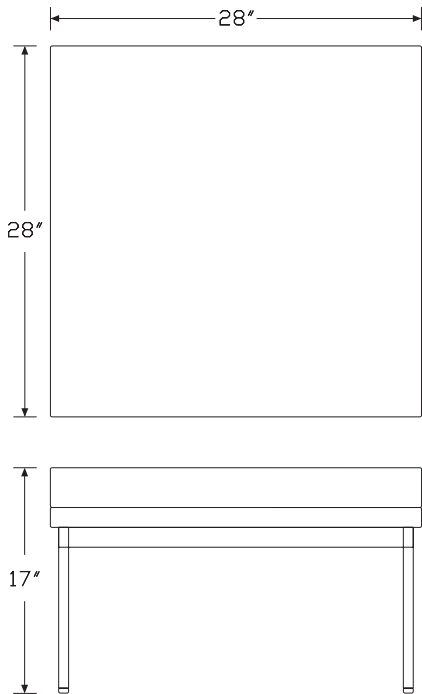
Type—COM—COL

Not quilted—1½ yards—27 square feet

Quilted—1½ yards—27 square feet

See Order Information in Appendices for more information.

**Dimensions**



**Specification Information**

**Step 1.**

**ST1B**  A

**Step 2. Upholstery Type**

**N** not quilted  A

**Q** quilted  A

**Prices for Steps 1-2.**

<b>ST1BN</b>	\$1245
<b>ST1BQ</b>	\$1275

**Step 3. Upholstery**

*For quilted (Q)*

Price Category (Geiger) 1	+\$20
Price Category 1	+\$0
Price Category (Geiger) 2	+\$71
Price Category 2	+\$71
Price Category (Geiger) 3	+\$89
Price Category 3	+\$89
Price Category (Geiger) 4	+\$108
Price Category 4	+\$108
Price Category (Geiger) 5	+\$158
Price Category 5	+\$158
Price Category (Geiger) 6	+\$207
Price Category (Geiger) 7	+\$257
Price Category (Geiger) 8	+\$393
Price Category (Geiger) 9	+\$488
Price Category 9	+\$488
Price Category (Geiger) 10	+\$561
Price Category (Geiger) 11	+\$629
Price Category (Geiger) 14	+\$824
Price Category (Geiger) A	+\$50
Price Category (Geiger) C	+\$80
Price Category (Geiger) D	+\$105
Price Category (Geiger) E	+\$128
Price Category (Geiger) F	+\$153
Price Category (Geiger) G	+\$209
Price Category (Geiger) H	+\$260
Price Category (Geiger) I	+\$314
Price Category (Geiger) J	+\$368
Price Category (Geiger) K	+\$422
Price Category (Geiger) L	+\$476
Price Category (Geiger) M	+\$530
Price Category (Geiger) N	+\$584
Price Category (Geiger) O	+\$638

# Tuxedo Component Lounge™ Ottoman *continued*

Price Category (Geiger) P	+\$690
Price Category (Geiger) Q	+\$797
Price Category (Geiger) R	+\$1110
Price Category (Geiger) S	+\$1193
Price Category (Geiger) V	+\$1440
Price Category (Geiger) COM <input type="checkbox"/>	+\$0
Price Category (Geiger) COL <input type="checkbox"/>	+\$108

### *For not quilted (N)*

Price Category (Geiger) 1	+\$20
Price Category 1	+\$0
Price Category (Geiger) 2	+\$71
Price Category 2	+\$71
Price Category (Geiger) 3	+\$89
Price Category 3	+\$89
Price Category (Geiger) 4	+\$108
Price Category 4	+\$108
Price Category (Geiger) 5	+\$158
Price Category 5	+\$158
Price Category (Geiger) 6	+\$207
Price Category (Geiger) 7	+\$257
Price Category (Geiger) 8	+\$393
Price Category (Geiger) 9	+\$488
Price Category 9	+\$488
Price Category (Geiger) 10	+\$561
Price Category (Geiger) 11	+\$629
Price Category (Geiger) 14	+\$824
Price Category (Geiger) A	+\$50
Price Category (Geiger) C	+\$80
Price Category (Geiger) D	+\$105
Price Category (Geiger) E	+\$128
Price Category (Geiger) F	+\$153
Price Category (Geiger) G	+\$209
Price Category (Geiger) H	+\$260
Price Category (Geiger) I	+\$314
Price Category (Geiger) J	+\$368
Price Category (Geiger) K	+\$422
Price Category (Geiger) L	+\$476
Price Category (Geiger) M	+\$530
Price Category (Geiger) N	+\$584
Price Category (Geiger) O	+\$638
Price Category (Geiger) P	+\$690
Price Category (Geiger) Q	+\$797
Price Category (Geiger) R	+\$1110
Price Category (Geiger) S	+\$1193
Price Category (Geiger) V	+\$1440
Price Category (Geiger) X	+\$1605

Price Category (Geiger) Y	+\$1688
Price Category (Geiger) COM <input type="checkbox"/>	+\$0
Price Category (Geiger) COL <input type="checkbox"/>	+\$108

### Step 4. Base Finish

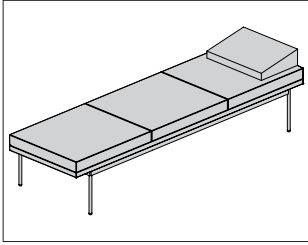
<b>926</b> black <input type="checkbox"/>	+\$0
<b>AS</b> arctic silver <input type="checkbox"/>	+\$0
<b>WHT</b> white <input type="checkbox"/>	+\$0
<b>BNZ</b> bronze <input type="checkbox"/>	+\$295
<b>CHR</b> chrome <input type="checkbox"/>	+\$295
<b>SAC</b> satin chrome <input type="checkbox"/>	+\$295

### Step 5. Fire Retardancy

<b>NOCAL</b> not fire retardant <input type="checkbox"/>	+\$0
<b>133</b> fire retardant <input type="checkbox"/>	+\$98

Tuxedo Component Lounge™  
Daybed

ST3DN  
ST3DQ



HermanMiller Collection—Lounge Seating

**Product Information**

**Description**

This 17"-high daybed has a foam and Dacron® seat with a painted or plated steel base.

**Notes**

Customer's Own Material (COM)/Customer's Own Leather (COL) requires the following:

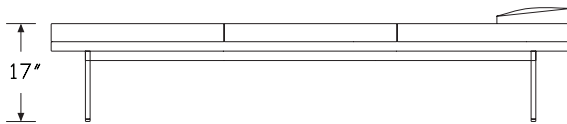
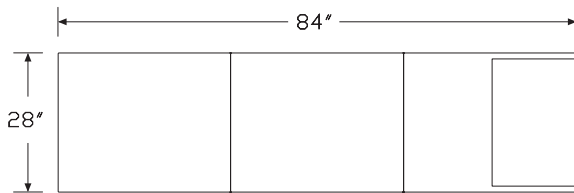
Type—COM—COL

Not quilted—6½ yards—117 square feet

Quilted—6½ yards—117 square feet

See Order Information in Appendices for more information.

**Dimensions**



**Specification Information**

**Step 1.**

**ST3D**  A

**Step 2. Upholstery Type**

**N** not quilted  A

**Q** quilted  A

**Prices for Steps 1-2.**

<b>ST3DN</b>	\$3120
<b>ST3DQ</b>	\$3185

**Step 3. Upholstery**

*For quilted (Q)*

Price Category (Geiger) 1	+\$254
Price Category 1	+\$0
Price Category (Geiger) 2	+\$306
Price Category 2	+\$306
Price Category (Geiger) 3	+\$384
Price Category 3	+\$384
Price Category (Geiger) 4	+\$468
Price Category 4	+\$468
Price Category (Geiger) 5	+\$683
Price Category 5	+\$683
Price Category (Geiger) 6	+\$897
Price Category (Geiger) 7	+\$1112
Price Category (Geiger) 8	+\$1703
Price Category (Geiger) 9	+\$2113
Price Category 9	+\$2113
Price Category (Geiger) 10	+\$2431
Price Category (Geiger) 11	+\$2724
Price Category (Geiger) 14	+\$3569
Price Category (Geiger) A	+\$215
Price Category (Geiger) C	+\$345
Price Category (Geiger) D	+\$455
Price Category (Geiger) E	+\$553
Price Category (Geiger) F	+\$663
Price Category (Geiger) G	+\$904
Price Category (Geiger) H	+\$1125
Price Category (Geiger) I	+\$1359
Price Category (Geiger) J	+\$1593
Price Category (Geiger) K	+\$1827
Price Category (Geiger) L	+\$2061
Price Category (Geiger) M	+\$2295
Price Category (Geiger) N	+\$2529
Price Category (Geiger) O	+\$2763

# Tuxedo Component Lounge™

## Daybed *continued*

Price Category (Geiger) P	+\$2990
Price Category (Geiger) Q	+\$3452
Price Category (Geiger) R	+\$4810
Price Category (Geiger) S	+\$5168
Price Category (Geiger) V	+\$6240
Price Category (Geiger) COM <input type="checkbox"/>	+\$0
Price Category (Geiger) COL <input type="checkbox"/>	+\$468

### *For not quilted (N)*

Price Category (Geiger) 1	+\$254
Price Category 1	+\$0
Price Category (Geiger) 2	+\$306
Price Category 2	+\$306
Price Category (Geiger) 3	+\$384
Price Category 3	+\$384
Price Category (Geiger) 4	+\$468
Price Category 4	+\$468
Price Category (Geiger) 5	+\$683
Price Category 5	+\$683
Price Category (Geiger) 6	+\$897
Price Category (Geiger) 7	+\$1112
Price Category (Geiger) 8	+\$1703
Price Category (Geiger) 9	+\$2113
Price Category 9	+\$2113
Price Category (Geiger) 10	+\$2431
Price Category (Geiger) 11	+\$2724
Price Category (Geiger) 14	+\$3569
Price Category (Geiger) A	+\$215
Price Category (Geiger) C	+\$345
Price Category (Geiger) D	+\$455
Price Category (Geiger) E	+\$553
Price Category (Geiger) F	+\$663
Price Category (Geiger) G	+\$904
Price Category (Geiger) H	+\$1125
Price Category (Geiger) I	+\$1359
Price Category (Geiger) J	+\$1593
Price Category (Geiger) K	+\$1827
Price Category (Geiger) L	+\$2061
Price Category (Geiger) M	+\$2295
Price Category (Geiger) N	+\$2529
Price Category (Geiger) O	+\$2763
Price Category (Geiger) P	+\$2990
Price Category (Geiger) Q	+\$3452
Price Category (Geiger) R	+\$4810
Price Category (Geiger) S	+\$5168
Price Category (Geiger) V	+\$6240
Price Category (Geiger) X	+\$6955

Price Category (Geiger) Y	+\$7313
Price Category (Geiger) COM <input type="checkbox"/>	+\$0
Price Category (Geiger) COL <input type="checkbox"/>	+\$468

### Step 4. Base Finish

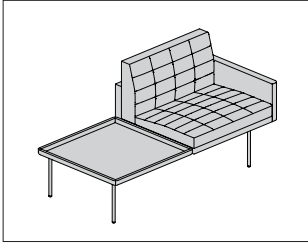
<b>926</b> black <input type="checkbox"/>	+\$0
<b>AS</b> arctic silver <input type="checkbox"/>	+\$0
<b>WHT</b> white <input type="checkbox"/>	+\$0
<b>BNZ</b> bronze <input type="checkbox"/>	+\$645
<b>CHR</b> chrome <input type="checkbox"/>	+\$645
<b>SAC</b> satin chrome <input type="checkbox"/>	+\$645

### Step 5. Fire Retardancy

<b>NOCAL</b> not fire retardant <input type="checkbox"/>	+\$0
<b>133</b> fire retardant <input type="checkbox"/>	+\$358

## Tuxedo Component Lounge with Table - One Seat

SX1AL  
SX1AR  
SX1NL  
SX1NR



### Product Information

#### Description

This 1-seat lounge with table has a steel plated metal base with cushions made of polyfoam and DACRON®. Cushions are quilted or not quilted. The unit is available with an arm on 1 side, or without arms, and with the table on either the left or right side. Table top is solid wood 1½" thick. Fire retardant lounge meets CAL 133 requirements.

#### Notes

Handedness is determined from a seated position.

Customer's Own Material (COM)/Customer's Own Leather (COL) requires the following:

Type—COM—COL

SX1ALN—4¾ yards—85½ square feet

SX1ALQ—4¾ yards—85½ square feet

SX1ARN—4¾ yards—85½ square feet

SX1ARQ—4¾ yards—85½ square feet

SX1NLN—3¾ yards—67½ square feet

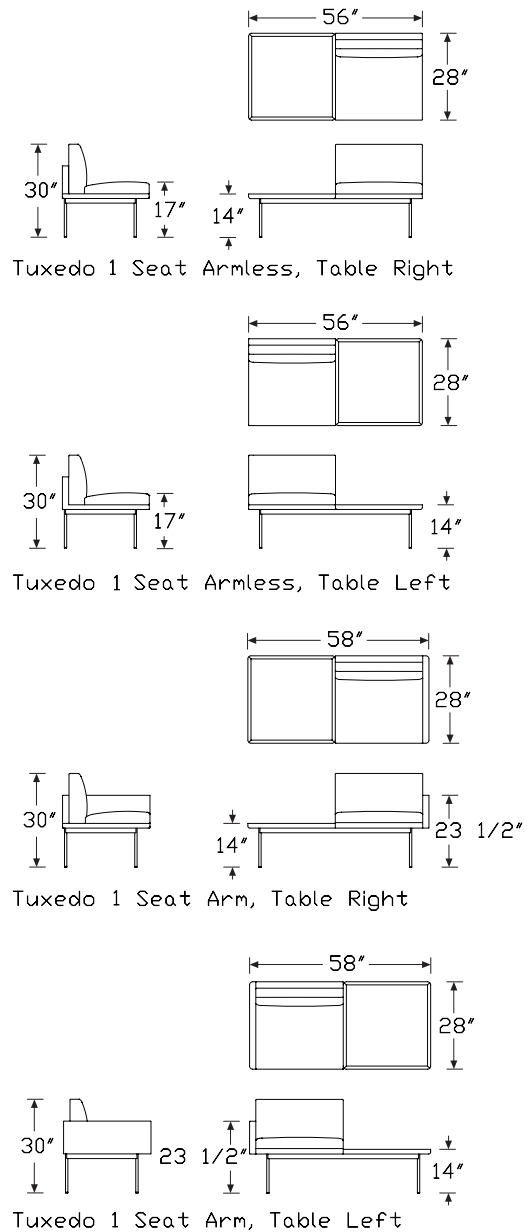
SX1NLQ—3¾ yards—67½ square feet

SX1NRN—3¾ yards—67½ square feet

SX1NRQ—3¾ yards—67½ square feet

See Order Information in Appendices for more information.

### Dimensions



# Tuxedo Component Lounge with Table - One Seat *continued*

## Specification Information

### Step 1.

**SX1**

### Step 2. Arms

**A** arm 1 side

**N** no arms

### Step 3. Handing

**L** seating left, table right

**R** seating right, table left

### Step 4. Upholstery Type

**N** not quilted

**Q** quilted

### Prices for Steps 1-4.

<b>SX1AL N</b>	\$3585
<b>Q</b>	\$3715

<b>SX1AR N</b>	\$3585
<b>Q</b>	\$3715

<b>SX1NL N</b>	\$3270
<b>Q</b>	\$3400

<b>SX1NR N</b>	\$3270
<b>Q</b>	\$3400

### Step 5. Wood Finish

#### Matte Finishes

<b>662</b>	toasted walnut, matte sheen <input type="checkbox"/>	+ \$0
<b>663</b>	charred walnut, matte sheen <input type="checkbox"/>	+ \$0
<b>664</b>	bronzed walnut, matte sheen <input type="checkbox"/>	+ \$0
<b>665</b>	smoked walnut, matte sheen <input type="checkbox"/>	+ \$0
<b>666</b>	coffee walnut, matte sheen <input type="checkbox"/>	+ \$0
<b>667</b>	smoked paldao, quarter cut, matte sheen <input type="checkbox"/>	+ \$0
<b>669</b>	warm paldao, quarter cut, matte sheen <input type="checkbox"/>	+ \$0
<b>66A</b>	recograin frosty ash <input type="checkbox"/>	+ \$0
<b>677</b>	chocolate ash, matte sheen <input type="checkbox"/>	+ \$0
<b>68R</b>	recograin rosewood <input type="checkbox"/>	+ \$0
<b>69A</b>	recograin frosty ash <input type="checkbox"/>	+ \$0
<b>69R</b>	recograin rosewood <input type="checkbox"/>	+ \$0
<b>69T</b>	recograin teak <input type="checkbox"/>	+ \$0
<b>6K1</b>	rift oak <input type="checkbox"/>	+ \$0
<b>ET</b>	clear on ash <input type="checkbox"/>	+ \$0

<b>EU</b>	oak on ash <input type="checkbox"/>	+ \$0
<b>EV</b>	walnut on ash <input type="checkbox"/>	+ \$0
<b>GOU</b>	natural walnut, flat cut, matte sheen <input type="checkbox"/>	+ \$0
<b>6A1</b>	white ash <input type="checkbox"/>	+ \$0
<b>6K6</b>	burnt oak <input type="checkbox"/>	+ \$0
<b>932</b>	sundance anigre <input type="checkbox"/>	+ \$0
<b>933</b>	caramel anigre <input type="checkbox"/>	+ \$0
<b>934</b>	henna anigre <input type="checkbox"/>	+ \$0
<b>940</b>	sundance cherry on maple <input type="checkbox"/>	+ \$0
<b>962</b>	toasted walnut, low sheen <input type="checkbox"/>	+ \$0
<b>963</b>	charred walnut, low sheen <input type="checkbox"/>	+ \$0
<b>964</b>	bronzed walnut, low sheen <input type="checkbox"/>	+ \$0
<b>965</b>	smoked walnut, low sheen <input type="checkbox"/>	+ \$0
<b>966</b>	coffee walnut, low sheen <input type="checkbox"/>	+ \$0
<b>967</b>	smoked paldao, low sheen <input type="checkbox"/>	+ \$0
<b>969</b>	warm paldao, low sheen <input type="checkbox"/>	+ \$0
<b>972</b>	sundance walnut <input type="checkbox"/>	+ \$0
<b>977</b>	chocolate ash, low sheen <input type="checkbox"/>	+ \$0
<b>98R</b>	recograin rosewood <input type="checkbox"/>	+ \$0
<b>991</b>	champagne ash <input type="checkbox"/>	+ \$0
<b>99A</b>	recograin frosty ash <input type="checkbox"/>	+ \$0
<b>99R</b>	recograin rosewood <input type="checkbox"/>	+ \$0
<b>99T</b>	recograin teak <input type="checkbox"/>	+ \$0
<b>9A1</b>	white ash, quarter cut, low sheen <input type="checkbox"/>	+ \$0
<b>9K1</b>	rift oak, rift cut, low sheen <input type="checkbox"/>	+ \$0
<b>9K6</b>	burnt oak, rift cut, low sheen <input type="checkbox"/>	+ \$0
<b>G2U</b>	light brown walnut, low sheen <input type="checkbox"/>	+ \$0
<b>G40</b>	dark brown walnut, low sheen <input type="checkbox"/>	+ \$0
<b>UX</b>	walnut on cherry <input type="checkbox"/>	+ \$0
<b>943</b>	caramel cherry <input type="checkbox"/>	+ \$0
<b>946</b>	cocoa cherry <input type="checkbox"/>	+ \$0
<b>956</b>	cocoa sapele <input type="checkbox"/>	+ \$0
<b>998</b>	ebony ash <input type="checkbox"/>	+ \$0
<b>ED</b>	aged cherry <input type="checkbox"/>	+ \$0
<b>EK</b>	medium red walnut <input type="checkbox"/>	+ \$0

#### RecoGrain Veneer

<b>66G</b>	recograin wenge <input type="checkbox"/>	+ \$0
<b>68W</b>	recograin walnut, flat cut, matte sheen <input type="checkbox"/>	+ \$0
<b>69G</b>	recograin wenge <input type="checkbox"/>	+ \$0
<b>69W</b>	recograin walnut, quarter cut, matte sheen <input type="checkbox"/>	+ \$0

#### Recon Veneer -

<b>96G</b>	wenge recograin, quarter cut, low sheen <input type="checkbox"/>	+ \$0
<b>98W</b>	recograin walnut, flat cut, low sheen <input type="checkbox"/>	+ \$0
<b>99G</b>	recograin wenge, quarter cut, low sheen <input type="checkbox"/>	+ \$0
<b>99W</b>	recograin walnut, quarter cut, low sheen <input type="checkbox"/>	+ \$0

# Tuxedo Component Lounge with Table - One Seat *continued*

HermanMiller Collection—Lounge Seating

## Step 6. Fabric

### *For arm 1 side (A) with not quilted (N)*

Price Category (Geiger) G	+\$0
Price Category (Geiger) COM <span style="border: 1px solid black; padding: 0 2px;">A</span>	+\$0
Price Category (Geiger) COL <span style="border: 1px solid black; padding: 0 2px;">A</span>	+\$342
Price Category 1	+\$0
Price Category (Geiger) 2	+\$0
Price Category 2	+\$223
Price Category (Geiger) 3	+\$280
Price Category 3	+\$280
Price Category (Geiger) 4	+\$342
Price Category (Geiger) 5	+\$499
Price Category 5	+\$499
Price Category (Geiger) 6	+\$656
Price Category (Geiger) 7	+\$812
Price Category (Geiger) 8	+\$1245
Price Category (Geiger) 9	+\$1544
Price Category 9	+\$1544
Price Category (Geiger) 10	+\$1777
Price Category 11	+\$1990
Price Category 14	+\$0
Price Category (Geiger) D	+\$333
Price Category (Geiger) H	+\$822
Price Category (Geiger) I	+\$993
Price Category (Geiger) K	+\$1335
Price Category (Geiger) L	+\$1506
Price Category (Geiger) M	+\$1677
Price Category (Geiger) R	+\$3515

## *For quilted (Q)*

	A	N
Price Category (Geiger) COM <span style="border: 1px solid black; padding: 0 2px;">A</span>	+\$0	0
Price Category (Geiger) COL <span style="border: 1px solid black; padding: 0 2px;">A</span>	+\$342	270
Price Category 1	+\$0	0
Price Category (Geiger) 2	+\$0	0
Price Category 2	+\$223	176
Price Category (Geiger) 3	+\$280	221
Price Category 3	+\$280	221
Price Category (Geiger) 4	+\$342	270
Price Category (Geiger) 5	+\$499	394
Price Category 5	+\$499	394
Price Category (Geiger) 6	+\$656	518
Price Category (Geiger) 7	+\$812	641
Price Category (Geiger) 8	+\$1245	983
Price Category 9	+\$1544	1219
Price Category (Geiger) 10	+\$1777	1403
Price Category 11	+\$1990	1571
Price Category 14	+\$0	0
Price Category (Geiger) D	+\$333	263
Price Category (Geiger) G	+\$0	0
Price Category (Geiger) H	+\$822	649
Price Category (Geiger) I	+\$993	784
Price Category (Geiger) K	+\$1335	1054
Price Category (Geiger) L	+\$1506	1189
Price Category (Geiger) M	+\$1677	1324
Price Category (Geiger) R	+\$3515	2775



# Tuxedo Component Lounge with Table - One Seat *continued*

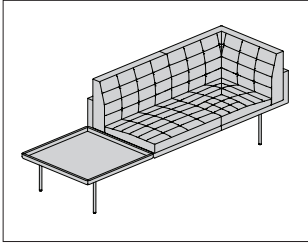
<i>For no arms (N) with not quilted (N)</i>	
Price Category (Geiger) COM <input type="checkbox"/> A	+\$0
Price Category (Geiger) COL <input type="checkbox"/> A	+\$270
Price Category 1	+\$0
Price Category (Geiger) 2	+\$0
Price Category 2	+\$176
Price Category (Geiger) 3	+\$221
Price Category 3	+\$221
Price Category (Geiger) 4	+\$270
Price Category (Geiger) 5	+\$394
Price Category 5	+\$394
Price Category (Geiger) 6	+\$518
Price Category (Geiger) 7	+\$641
Price Category (Geiger) 8	+\$983
Price Category (Geiger) 9	+\$1219
Price Category 9	+\$1219
Price Category (Geiger) 10	+\$1403
Price Category 11	+\$1571
Price Category 14	+\$0
Price Category (Geiger) D	+\$263
Price Category (Geiger) G	+\$0
Price Category (Geiger) H	+\$649
Price Category (Geiger) I	+\$784
Price Category (Geiger) K	+\$1054
Price Category (Geiger) L	+\$1189
Price Category (Geiger) M	+\$1324
Price Category (Geiger) R	+\$2775

Step 7. Base Finish	
<b>926</b> black <input type="checkbox"/> A	+\$0
<b>AS</b> arctic silver <input type="checkbox"/> A	+\$0
<b>WHT</b> white <input type="checkbox"/> A	+\$0
<b>BNZ</b> bronze <input type="checkbox"/> A	+\$645
<b>CHR</b> chrome <input type="checkbox"/> A	+\$645
<b>SAC</b> satin chrome <input type="checkbox"/> A	+\$645

Step 8. Fire Retardancy		A	N
<b>NOCAL</b> no cal-133 required <input type="checkbox"/> A		+\$0	0
<b>133</b> cal-133 required <input type="checkbox"/> A		+\$309	244

## Tuxedo Component Lounge with Table - Two Seats

SX2AL  
SX2AR  
SX2CL  
SX2CR  
SX2NL  
SX2NR



### Product Information

#### Description

This 2-seat lounge with table has a steel plated metal base with cushions made of polyfoam and DACRON®. Cushions are quilted or not quilted. The unit is available with a corner on 1 side, an arm on 1 side, or without arms, and with the table on either the left or right side. Table top is solid wood 1½" thick. Fire retardant lounge meets CAL 133 requirements.

#### Notes

Handedness is determined from a seated position.

Customer's Own Material (COM)/Customer's Own Leather (COL) requires the following:

Type—COM—COL

SX2ALN—8½ yards—153 square feet

SX2ALQ—8½ yards—153 square feet

SX2ARN—8½ yards—153 square feet

SX2ARQ—8½ yards—153 square feet

SX2CLN—9¼ yards—166½ square feet

SX2CLQ—9¼ yards—166½ square feet

SX2CRN—9¼ yards—166½ square feet

SX2CRQ—9¼ yards—166½ square feet

SX2NLN—7½ yards—135 square feet

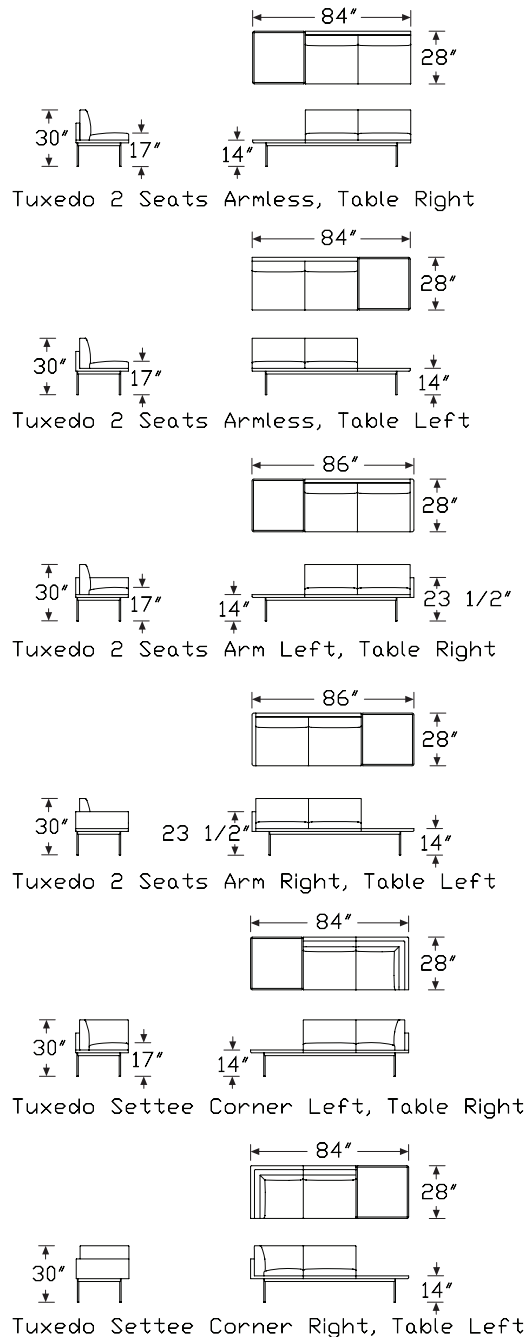
SX2NLQ—7½ yards—135 square feet

SX2NRN—7½ yards—135 square feet

SX2NRQ—7½ yards—135 square feet

See Order Information in Appendices for more information.

### Dimensions



# Tuxedo Component Lounge with Table - Two Seats *continued*

## Specification Information

### Step 1.

**SX2**  A

### Step 2. Arms

**A** arm 1 side  A

**C** corner 1 side  A

**N** no arms  A

### Step 3. Handing

**L** seating left, table right  A

**R** seating right, table left  A

### Step 4. Upholstery Type

**N** not quilted  A

**Q** quilted  A

### Prices for Steps 1-4.

**SX2AL N** \$4670  
**Q** \$4930

**SX2AR N** \$4670  
**Q** \$4930

**SX2CL N** \$5235  
**Q** \$5545

**SX2CR N** \$5235  
**Q** \$5545

**SX2NL N** \$4360  
**Q** \$4620

**SX2NR N** \$4360  
**Q** \$4620

### Step 5. Wood Finish

**66G** recograin wenge  A +\$0

**68W** recograin walnut, flat cut, matte sheen  A +\$0

**69G** recograin wenge  A +\$0

**69W** recograin walnut, quarter cut, matte sheen  A +\$0

**96G** wenge recograin, quarter cut, low sheen  A +\$0

**98W** recograin walnut, flat cut, low sheen  A +\$0

**99G** recograin wenge, quarter cut, low sheen  A +\$0

**99W** recograin walnut, quarter cut, low sheen  A +\$0

### Matte Finishes

**662** toasted walnut, matte sheen  A +\$0

**663** charred walnut, matte sheen  A +\$0

**664** bronzed walnut, matte sheen  A +\$0

**665** smoked walnut, matte sheen  A +\$0

**666** coffee walnut, matte sheen  A +\$0

**667** smoked paldao, quarter cut, matte sheen  A +\$0

**669** warm paldao, quarter cut, matte sheen  A +\$0

**66A** recograin frosty ash  A +\$0

**677** chocolate ash, matte sheen  A +\$0

**68R** recograin rosewood  A +\$0

**69A** recograin frosty ash  A +\$0

**69R** recograin rosewood  A +\$0

**69T** recograin teak  A +\$0

**6K1** rift oak  A +\$0

**ET** clear on ash  A +\$0

**EU** oak on ash  A +\$0

**EV** walnut on ash  A +\$0

**GOU** natural walnut, flat cut, matte sheen  A +\$0

**6A1** white ash  A +\$0

**6K6** burnt oak  A +\$0

**932** sundance anigre  A +\$0

**933** caramel anigre  A +\$0

**934** henna anigre  A +\$0

**940** sundance cherry on maple  A +\$0

**962** toasted walnut, low sheen  A +\$0

**963** charred walnut, low sheen  A +\$0

**964** bronzed walnut, low sheen  A +\$0

**965** smoked walnut, low sheen  A +\$0

**966** coffee walnut, low sheen  A +\$0

**967** smoked paldao, low sheen  A +\$0

**969** warm paldao, low sheen  A +\$0

**972** sundance walnut  A +\$0

**977** chocolate ash, low sheen  A +\$0

**98R** recograin rosewood  A +\$0

**991** champagne ash  A +\$0

**99A** recograin frosty ash  A +\$0

**99R** recograin rosewood  A +\$0

**99T** recograin teak  A +\$0

**9A1** white ash, quarter cut, low sheen  A +\$0

**9K1** rift oak, rift cut, low sheen  A +\$0

**G2U** light brown walnut, low sheen  A +\$0

**G40** dark brown walnut, low sheen  A +\$0

**UX** walnut on cherry  A +\$0

**943** caramel cherry  A +\$0

**946** cocoa cherry  A +\$0

**956** cocoa sapele  A +\$0

Tuxedo Component Lounge with  
Table - Two Seats *continued*

HermanMiller Collection—Lounge Seating

<b>998</b>	ebony ash <span style="border: 1px solid black; padding: 0 2px;">A</span>	+\$0
<b>ED</b>	aged cherry <span style="border: 1px solid black; padding: 0 2px;">A</span>	+\$0
<b>EK</b>	medium red walnut <span style="border: 1px solid black; padding: 0 2px;">A</span>	+\$0

Step 6. Fabric					
	AN	AQ	CN	CQ	NN
Price Category 1	+\$0	0	0	0	0
Price Category (Geiger) 2	+\$0	0	0	0	0
Price Category 2	+\$400	400	435	435	353
Price Category (Geiger) 3	+\$502	502	546	546	443
Price Category 3	+\$502	502	546	546	443
Price Category (Geiger) 4	+\$612	612	666	666	540
Price Category 4	+\$612	612	666	666	540
Price Category (Geiger) 5	+\$893	893	971	971	788
Price Category 5	+\$893	893	971	971	788
Price Category (Geiger) 6	+\$1173	1173	1277	1277	1035
Price Category (Geiger) 7	+\$1454	1454	1582	1582	1283
Price Category 7	+\$1454	1454	1582	1582	1283
Price Category (Geiger) 8	+\$2227	2227	2424	2424	1965
Price Category 9	+\$2763	2763	3006	3006	2438
Price Category (Geiger) 10	+\$3179	3179	3460	3460	2805
Price Category 11	+\$3562	3562	3876	3876	3143
Price Category 14	+\$0	0	0	0	0
Price Category (Geiger) D	+\$595	595	648	648	455
Price Category (Geiger) G	+\$0	0	0	0	0
Price Category (Geiger) H	+\$1182	1471	1600	1600	1298
Price Category (Geiger) I	+\$1471	1777	1933	1933	1568
Price Category (Geiger) K	+\$2083	2389	2599	2599	2108
Price Category (Geiger) L	+\$2389	2695	2932	2932	2378
Price Category (Geiger) M	+\$2695	3001	3265	3265	2648
Price Category (Geiger) R	+\$6290	6290	6845	6845	5550
Price Category (Geiger)	+\$0	0	0	0	0
COM <span style="border: 1px solid black; padding: 0 2px;">A</span>					
Price Category (Geiger)	+\$612	612	666	666	540
COL <span style="border: 1px solid black; padding: 0 2px;">A</span>					

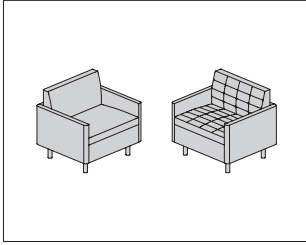
	NQ
Price Category 1	+\$0
Price Category (Geiger) 2	+\$0
Price Category 2	+\$353
Price Category (Geiger) 3	+\$443
Price Category 3	+\$443
Price Category (Geiger) 4	+\$540
Price Category 4	+\$540
Price Category (Geiger) 5	+\$788
Price Category 5	+\$788
Price Category (Geiger) 6	+\$1035
Price Category (Geiger) 7	+\$1283
Price Category 7	+\$1283
Price Category (Geiger) 8	+\$1965
Price Category 9	+\$2438
Price Category (Geiger) 10	+\$2805
Price Category 11	+\$3143
Price Category 14	+\$0
Price Category (Geiger) D	+\$455
Price Category (Geiger) G	+\$0
Price Category (Geiger) H	+\$1298
Price Category (Geiger) I	+\$1568
Price Category (Geiger) K	+\$2108
Price Category (Geiger) L	+\$2378
Price Category (Geiger) M	+\$2648
Price Category (Geiger) R	+\$5550
Price Category (Geiger) COM <span style="border: 1px solid black; padding: 0 2px;">A</span>	+\$0
Price Category (Geiger) COL <span style="border: 1px solid black; padding: 0 2px;">A</span>	+\$540

Step 7. Base Finish		
<b>926</b>	black <span style="border: 1px solid black; padding: 0 2px;">A</span>	+\$0
<b>AS</b>	arctic silver <span style="border: 1px solid black; padding: 0 2px;">A</span>	+\$0
<b>WHT</b>	white <span style="border: 1px solid black; padding: 0 2px;">A</span>	+\$0
<b>BNZ</b>	bronze <span style="border: 1px solid black; padding: 0 2px;">A</span>	+\$0
<b>CHR</b>	chrome <span style="border: 1px solid black; padding: 0 2px;">A</span>	+\$0
<b>SAC</b>	satin chrome <span style="border: 1px solid black; padding: 0 2px;">A</span>	+\$0

Step 8. Fire Retardancy				
		A	C	N
<b>NOCAL</b>	no cal-133 required <span style="border: 1px solid black; padding: 0 2px;">A</span>	+\$0	0	0
<b>133</b>	cal-133 required <span style="border: 1px solid black; padding: 0 2px;">A</span>	+\$553	601	488

Tuxedo Classic Club Chair

SZ1AB



**Product Information**

**Description**

This club chair has solid wood legs with cushions made of polyfoam and DACRON®. Cushions are quilted or not quilted. Fire retardant chair meets CAL 133 requirements.

**Notes**

Customer's Own Material (COM)/Customer's Own Leather (COL) requires the following:

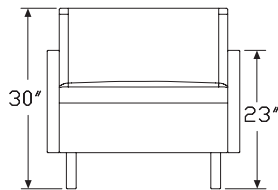
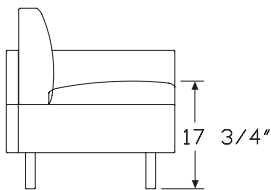
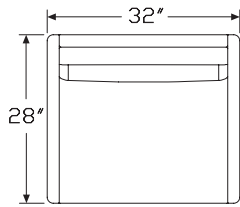
Type—COM—COL

Not quilted—6½ yards—117 square feet

Quilted—6½ yards—117 square feet

See Order Information in Appendices for more information.

**Dimensions**



**Specification Information**

**Step 1.**

**SZ1**  A

**Step 2. Arms**

**AB** arms on left and right  A

**Step 3. Upholstery Type**

**N** not quilted  A

**Q** quilted  A

**Prices for Steps 1-3.**

<b>SZ1AB N</b>	\$2490
<b>Q</b>	\$2620

**Step 4. Fabric**

*For not quilted (N)*

Price Category (Geiger) COM <input type="checkbox"/> A	+\$0
Price Category (Geiger) COL <input type="checkbox"/> A	+\$468
Price Category 1	+\$0
Price Category (Geiger) 2	+\$306
Price Category 2	+\$306
Price Category (Geiger) 3	+\$384
Price Category 3	+\$384
Price Category (Geiger) 4	+\$468
Price Category (Geiger) 5	+\$683
Price Category 5	+\$683
Price Category (Geiger) 6	+\$897
Price Category (Geiger) 7	+\$1112
Price Category (Geiger) 8	+\$1703
Price Category (Geiger) 9	+\$2113
Price Category 9	+\$2113
Price Category (Geiger) 10	+\$2431
Price Category 11	+\$2724
Price Category 14	+\$0
Price Category (Geiger) D	+\$455
Price Category (Geiger) G	+\$904
Price Category (Geiger) H	+\$1125
Price Category (Geiger) I	+\$1359
Price Category (Geiger) K	+\$1827
Price Category (Geiger) L	+\$2061
Price Category (Geiger) M	+\$2295
Price Category (Geiger) R	+\$4810

# Tuxedo Classic Club Chair *continued*

*For quilted (Q)*

Price Category (Geiger) COM <span style="border: 1px solid black; padding: 0 2px;">A</span>	+\$0
Price Category (Geiger) COL <span style="border: 1px solid black; padding: 0 2px;">A</span>	+\$468
Price Category 1	+\$0
Price Category (Geiger) 2	+\$306
Price Category 2	+\$306
Price Category (Geiger) 3	+\$384
Price Category 3	+\$384
Price Category (Geiger) 4	+\$468
Price Category (Geiger) 5	+\$683
Price Category 5	+\$683
Price Category (Geiger) 6	+\$897
Price Category (Geiger) 7	+\$1112
Price Category (Geiger) 8	+\$1703
Price Category 9	+\$2113
Price Category (Geiger) 10	+\$2431
Price Category 11	+\$2724
Price Category 14	+\$0
Price Category (Geiger) D	+\$455
Price Category (Geiger) G	+\$904
Price Category (Geiger) H	+\$1125
Price Category (Geiger) I	+\$1359
Price Category (Geiger) K	+\$1827
Price Category (Geiger) L	+\$2061
Price Category (Geiger) M	+\$2295
Price Category (Geiger) R	+\$4810

Step 5. Base Finish

<b>66G</b> recograin wenge <span style="border: 1px solid black; padding: 0 2px;">A</span>	+\$0
<b>68W</b> recograin walnut, flat cut, matte sheen <span style="border: 1px solid black; padding: 0 2px;">A</span>	+\$0
<b>69G</b> recograin wenge <span style="border: 1px solid black; padding: 0 2px;">A</span>	+\$0
<b>69W</b> recograin walnut, quarter cut, matte sheen <span style="border: 1px solid black; padding: 0 2px;">A</span>	+\$0
<b>96G</b> wenge recograin, quarter cut, low sheen <span style="border: 1px solid black; padding: 0 2px;">A</span>	+\$0
<b>98W</b> recograin walnut, flat cut, low sheen <span style="border: 1px solid black; padding: 0 2px;">A</span>	+\$0
<b>99G</b> recograin wenge, quarter cut, low sheen <span style="border: 1px solid black; padding: 0 2px;">A</span>	+\$0
<b>99W</b> recograin walnut, quarter cut, low sheen <span style="border: 1px solid black; padding: 0 2px;">A</span>	+\$0
<b>932</b> sundance anigre <span style="border: 1px solid black; padding: 0 2px;">A</span>	+\$0
<b>933</b> caramel anigre <span style="border: 1px solid black; padding: 0 2px;">A</span>	+\$0
<b>934</b> henna anigre <span style="border: 1px solid black; padding: 0 2px;">A</span>	+\$0
<b>940</b> sundance cherry on maple <span style="border: 1px solid black; padding: 0 2px;">A</span>	+\$0
<b>962</b> toasted walnut, low sheen <span style="border: 1px solid black; padding: 0 2px;">A</span>	+\$0
<b>963</b> charred walnut, low sheen <span style="border: 1px solid black; padding: 0 2px;">A</span>	+\$0
<b>964</b> bronzed walnut, low sheen <span style="border: 1px solid black; padding: 0 2px;">A</span>	+\$0
<b>965</b> smoked walnut, low sheen <span style="border: 1px solid black; padding: 0 2px;">A</span>	+\$0
<b>966</b> coffee walnut, low sheen <span style="border: 1px solid black; padding: 0 2px;">A</span>	+\$0
<b>967</b> smoked paldao, low sheen <span style="border: 1px solid black; padding: 0 2px;">A</span>	+\$0
<b>969</b> warm paldao, low sheen <span style="border: 1px solid black; padding: 0 2px;">A</span>	+\$0

<b>972</b> sundance walnut <span style="border: 1px solid black; padding: 0 2px;">A</span>	+\$0
<b>977</b> chocolate ash, low sheen <span style="border: 1px solid black; padding: 0 2px;">A</span>	+\$0
<b>98R</b> recograin rosewood <span style="border: 1px solid black; padding: 0 2px;">A</span>	+\$0
<b>991</b> champagne ash <span style="border: 1px solid black; padding: 0 2px;">A</span>	+\$0
<b>99A</b> recograin frosty ash <span style="border: 1px solid black; padding: 0 2px;">A</span>	+\$0
<b>99R</b> recograin rosewood <span style="border: 1px solid black; padding: 0 2px;">A</span>	+\$0
<b>99T</b> recograin teak <span style="border: 1px solid black; padding: 0 2px;">A</span>	+\$0
<b>9A1</b> white ash, quarter cut, low sheen <span style="border: 1px solid black; padding: 0 2px;">A</span>	+\$0
<b>9K1</b> rift oak, rift cut, low sheen <span style="border: 1px solid black; padding: 0 2px;">A</span>	+\$0
<b>9K6</b> burnt oak, rift cut, low sheen <span style="border: 1px solid black; padding: 0 2px;">A</span>	+\$0
<b>G2U</b> light brown walnut, low sheen <span style="border: 1px solid black; padding: 0 2px;">A</span>	+\$0
<b>G40</b> dark brown walnut, low sheen <span style="border: 1px solid black; padding: 0 2px;">A</span>	+\$0
<b>UX</b> walnut on cherry <span style="border: 1px solid black; padding: 0 2px;">A</span>	+\$0
<b>943</b> caramel cherry <span style="border: 1px solid black; padding: 0 2px;">A</span>	+\$0
<b>946</b> cocoa cherry <span style="border: 1px solid black; padding: 0 2px;">A</span>	+\$0
<b>956</b> cocoa sapele <span style="border: 1px solid black; padding: 0 2px;">A</span>	+\$0
<b>998</b> ebony ash <span style="border: 1px solid black; padding: 0 2px;">A</span>	+\$0
<b>ED</b> aged cherry <span style="border: 1px solid black; padding: 0 2px;">A</span>	+\$0
<b>EK</b> medium red walnut <span style="border: 1px solid black; padding: 0 2px;">A</span>	+\$0

Matte Finishes

<b>662</b> toasted walnut, matte sheen <span style="border: 1px solid black; padding: 0 2px;">A</span>	+\$0
<b>663</b> charred walnut, matte sheen <span style="border: 1px solid black; padding: 0 2px;">A</span>	+\$0
<b>664</b> bronzed walnut, matte sheen <span style="border: 1px solid black; padding: 0 2px;">A</span>	+\$0
<b>665</b> smoked walnut, matte sheen <span style="border: 1px solid black; padding: 0 2px;">A</span>	+\$0
<b>666</b> coffee walnut, matte sheen <span style="border: 1px solid black; padding: 0 2px;">A</span>	+\$0
<b>667</b> smoked paldao, quarter cut, matte sheen <span style="border: 1px solid black; padding: 0 2px;">A</span>	+\$0
<b>669</b> warm paldao, quarter cut, matte sheen <span style="border: 1px solid black; padding: 0 2px;">A</span>	+\$0
<b>66A</b> recograin frosty ash <span style="border: 1px solid black; padding: 0 2px;">A</span>	+\$0
<b>677</b> chocolate ash, matte sheen <span style="border: 1px solid black; padding: 0 2px;">A</span>	+\$0
<b>68R</b> recograin rosewood <span style="border: 1px solid black; padding: 0 2px;">A</span>	+\$0
<b>69A</b> recograin frosty ash <span style="border: 1px solid black; padding: 0 2px;">A</span>	+\$0
<b>69R</b> recograin rosewood <span style="border: 1px solid black; padding: 0 2px;">A</span>	+\$0
<b>69T</b> recograin teak <span style="border: 1px solid black; padding: 0 2px;">A</span>	+\$0
<b>6K1</b> rift oak <span style="border: 1px solid black; padding: 0 2px;">A</span>	+\$0
<b>ET</b> clear on ash <span style="border: 1px solid black; padding: 0 2px;">A</span>	+\$0
<b>EU</b> oak on ash <span style="border: 1px solid black; padding: 0 2px;">A</span>	+\$0
<b>EV</b> walnut on ash <span style="border: 1px solid black; padding: 0 2px;">A</span>	+\$0
<b>GOU</b> natural walnut, flat cut, matte sheen <span style="border: 1px solid black; padding: 0 2px;">A</span>	+\$0
<b>6A1</b> white ash <span style="border: 1px solid black; padding: 0 2px;">A</span>	+\$0
<b>6K6</b> burnt oak <span style="border: 1px solid black; padding: 0 2px;">A</span>	+\$0

Step 6. Fire Retardancy

<b>NOCAL</b> no cal-133 required <span style="border: 1px solid black; padding: 0 2px;">A</span>	+\$0
<b>133</b> cal-133 required <span style="border: 1px solid black; padding: 0 2px;">A</span>	+\$423

**Striad High-Back Lounge Chair, CCL100**  
4-Star Base



**Product Information**

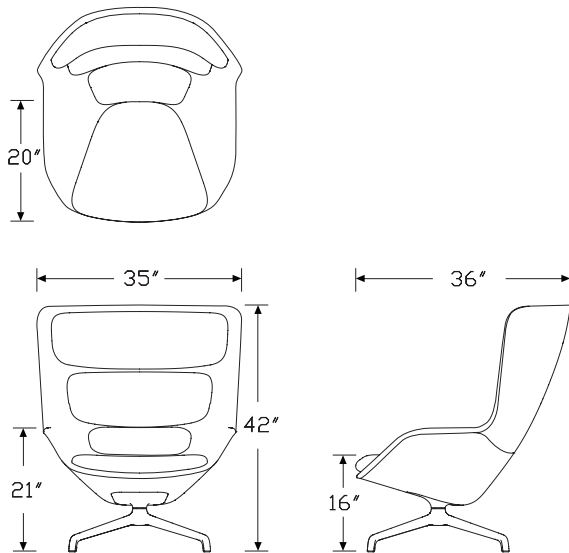
**Description**

This lounge chair has a high back, dual density foam cushions, and a 4-star aluminum base with a swivel-return feature. The outer shell provides rigidity and support while the inner shell provides flexibility for added movement and comfort.

**Notes**

Customer's Own Material (COM) requires 5 yards (2½ yards for shell, 2½ yards for cushions). Customer's Own Leather (COL) requires 90 square feet (45 sq ft for shell, 45 sq ft for cushions). See Order Information in appendices.

**Dimensions**



**Specification Information**

**Step 1.**

**CCL100.**  A

**Step 2. Base**

**S** swivel, auto return  A

**Prices for Steps 1-2.**

**CCL100. S** \$3395

**Step 3. Base Finish**

**91** white  A +\$0

**BK** black  A +\$0

**PA** polished aluminum  A +\$0

**Step 4. Outer Shell Finish**

**91** white  A +\$0

**BK** black  A +\$0

**WN** warm grey neutral  A +\$0

**Step 5. Shell Upholstery**

Price Category (Geiger) 5 +\$149

Price Category 1  A +\$0

Price Category 2 +\$16

Price Category (Geiger) 3 +\$39

Price Category (Geiger) 4 +\$88

Price Category 5 +\$149

Price Category 7  A +\$855

Price Category (Geiger) 7 +\$277

Price Category (Geiger) 8 +\$365

Price Category 9 +\$455

Price Category (Geiger) 10 +\$545

Price Category (Geiger) 11 +\$635

Price Category 11 +\$635

Price Category B +\$76

Price Category (Geiger) C +\$126

Price Category D +\$135

Price Category G +\$425

Price Category H +\$526

Price Category J +\$726

Striad High-Back Lounge Chair,  
4-Star Base *continued*

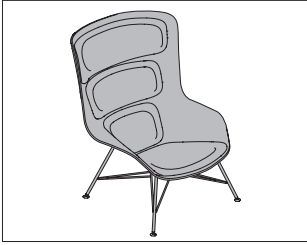
HermanMiller Collection—Lounge Seating

Step 6. Cushion Upholstery		
Price Category (Geiger) 5		+\$149
Price Category 1 <input type="checkbox"/> A		+\$0
Price Category (Geiger) 3		+\$39
Price Category (Geiger) 4		+\$88
Price Category 5		+\$149
Price Category 7 <input type="checkbox"/> A		+\$855
Price Category (Geiger) 7		+\$277
Price Category (Geiger) 8		+\$365
Price Category 9		+\$455
Price Category (Geiger) 10		+\$545
Price Category 11		+\$635
Price Category (Geiger) 11		+\$635
Price Category B		+\$76
Price Category (Geiger) C		+\$93
Price Category D		+\$135
Price Category G		+\$425
Price Category H		+\$526
Price Category J		+\$726

Step 7. Fire Retardancy		
<b>NFR</b>	not fire retardant <input type="checkbox"/> A	+\$0
<b>FR</b>	fire retardant <input type="checkbox"/> A	+\$375



**Striad High-Back Lounge Chair, CCL101**  
Wire Base



**Product Information**

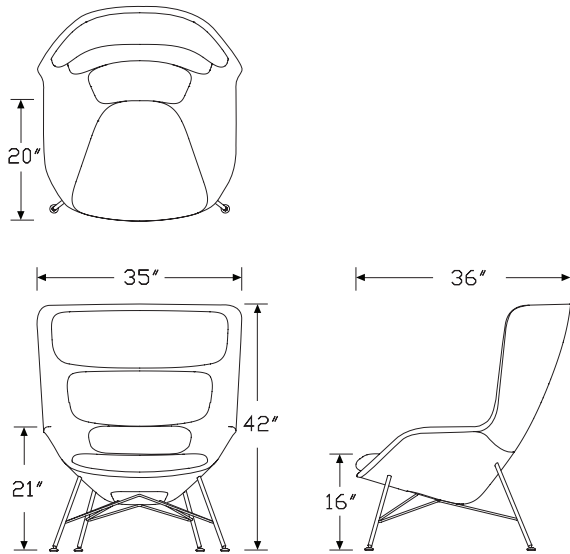
**Description**

This lounge chair has a high back, dual density foam cushions, and a 4-leg wire base. The outer shell provides rigidity and support while the inner shell provides flexibility for added movement and comfort.

**Notes**

Customer's Own Material (COM) requires 5 yards (2½ yards for shell, 2½ yards for cushions). Customer's Own Leather (COL) requires 90 square feet (45 sq ft for shell, 45 sq ft for cushions). See Order Information in appendices.

**Dimensions**



**Specification Information**

**Step 1.**

**CCL101.**  A \$3175

**Step 2. Base Finish**

**47** trivalent chrome  A +\$0  
**91** white  A +\$0  
**BK** black  A +\$0

**Step 3. Outer Shell Finish**

**91** white  A +\$0  
**BK** black  A +\$0  
**WN** warm grey neutral  A +\$0

**Step 4. Shell Upholstery**

Price Category D +\$135  
 Price Category 1  A +\$0  
 Price Category 2 +\$16  
 Price Category 3 +\$0  
 Price Category (Geiger) 3 +\$39  
 Price Category (Geiger) 4 +\$88  
 Price Category 5 +\$149  
 Price Category (Geiger) 5 +\$149  
 Price Category 7 +\$855  
 Price Category (Geiger) 7 +\$277  
 Price Category (Geiger) 8 +\$365  
 Price Category 9 +\$455  
 Price Category (Geiger) 10 +\$545  
 Price Category 11 +\$635  
 Price Category (Geiger) 11 +\$635  
 Price Category B +\$76  
 Price Category (Geiger) C +\$126  
 Price Category G +\$425  
 Price Category H +\$526  
 Price Category J +\$726

Striad High-Back Lounge Chair,  
Wire Base *continued*

HermanMiller Collection—Lounge Seating

Step 5. Cushion Upholstery			
Price Category D		+\$135	
Price Category 1	A	+\$0	
Price Category 2		+\$16	
Price Category 3		+\$0	
Price Category (Geiger) 3		+\$39	
Price Category (Geiger) 4		+\$88	
Price Category 5		+\$149	
Price Category (Geiger) 5		+\$149	
Price Category 7		+\$855	
Price Category (Geiger) 7		+\$277	
Price Category (Geiger) 8		+\$365	
Price Category 9		+\$455	
Price Category (Geiger) 10		+\$545	
Price Category 11		+\$635	
Price Category (Geiger) 11		+\$635	
Price Category B		+\$76	
Price Category (Geiger) C		+\$93	
Price Category G		+\$425	
Price Category H		+\$526	
Price Category J		+\$726	
Step 6. Fire Retardancy			
<b>NFR</b>	not fire retardant	A	+\$0
<b>FR</b>	fire retardant	A	+\$375

Striad Mid-Back Lounge Chair, CCL200  
4-Star Base



**Product Information**

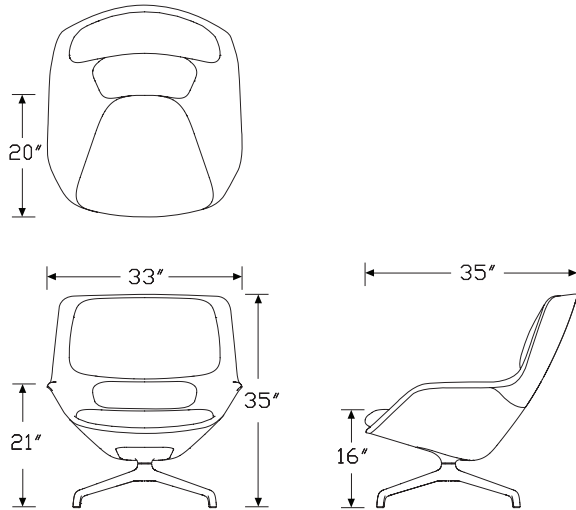
**Description**

This lounge chair has a mid back, dual density foam cushions, and a 4-star aluminum base with a swivel-return feature. The outer shell provides rigidity and support while the inner shell provides flexibility for added movement and comfort.

**Notes**

Customer's Own Material (COM) requires 3 1/2 yards (1 3/4 yards for shell, 1 3/4 yards for cushions). Customer's Own Leather (COL) requires 63 square feet (31 1/2 sq ft for shell, 31 1/2 sq ft for cushions). See Order Information in appendices.

**Dimensions**



**Specification Information**

**Step 1.**

**CCL200.**  A

**Step 2. Base**

**S** swivel, auto return  A

**Prices for Steps 1-2.**

**CCL200. S** \$2995

**Step 3. Base Finish**

**91** white  A +\$0  
**BK** black  A +\$0  
**PA** polished aluminum  A +\$0

**Step 4. Outer Shell Finish**

**91** white  A +\$0  
**BK** black  A +\$0  
**WN** warm grey neutral  A +\$0

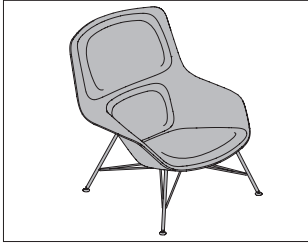
**Step 5. Shell Upholstery**

Price Category D +\$245  
 Price Category 1  A +\$0  
 Price Category 2 +\$11  
 Price Category 3 +\$0  
 Price Category (Geiger) 3 +\$27  
 Price Category (Geiger) 4 +\$62  
 Price Category 5 +\$102  
 Price Category (Geiger) 5 +\$102  
 Price Category 7 +\$599  
 Price Category (Geiger) 7 +\$194  
 Price Category (Geiger) 8 +\$256  
 Price Category 9 +\$319  
 Price Category (Geiger) 10 +\$382  
 Price Category 11 +\$445  
 Price Category (Geiger) 11 +\$445  
 Price Category B +\$53  
 Price Category (Geiger) C +\$88  
 Price Category G +\$298  
 Price Category H +\$368  
 Price Category J +\$508

Striad Mid-Back Lounge Chair,  
4-Star Base *continued*

Step 6. Cushion Upholstery		
	Price Category D	+\$245
	Price Category 1 <input type="checkbox"/> A	+\$0
	Price Category 2	+\$11
	Price Category 3	+\$0
	Price Category (Geiger) 3	+\$27
	Price Category (Geiger) 4	+\$62
	Price Category 5	+\$102
	Price Category (Geiger) 5	+\$102
	Price Category 7	+\$599
	Price Category (Geiger) 7	+\$194
	Price Category (Geiger) 8	+\$256
	Price Category 9	+\$319
	Price Category (Geiger) 10	+\$382
	Price Category 11	+\$445
	Price Category (Geiger) 11	+\$445
	Price Category B	+\$53
	Price Category (Geiger) C	+\$80
	Price Category G	+\$298
	Price Category H	+\$368
	Price Category J	+\$508
Step 7. Fire Retardancy		
<b>NFR</b>	not fire retardant <input type="checkbox"/> A	+\$0
<b>FR</b>	fire retardant <input type="checkbox"/> A	+\$275

Striad Mid-Back Lounge Chair, CCL201  
Wire Base



**Product Information**

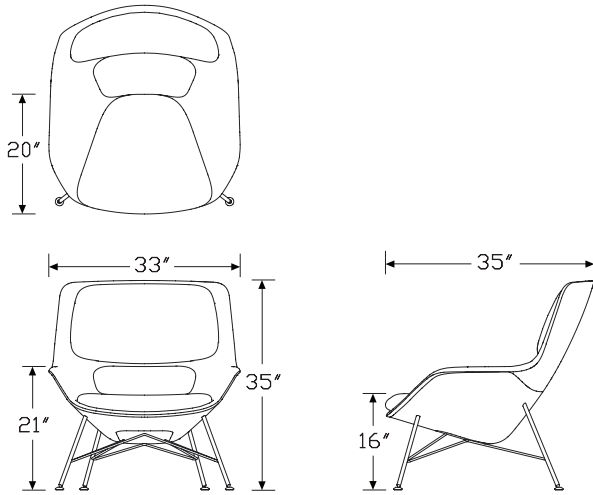
**Description**

This lounge chair has a mid back, dual density foam cushions, and a 4-leg wire base. The outer shell provides rigidity and support while the inner shell provides flexibility for added movement and comfort.

**Notes**

Customer's Own Material (COM) requires 3 1/2 yards (1 3/4 yards for shell, 1 3/4 yards for cushions). Customer's Own Leather (COL) requires 63 square feet (31 1/2 sq ft for shell, 31 1/2 sq ft for cushions). See Order Information in appendices.

**Dimensions**



**Specification Information**

**Step 1.**

**CCL201.**  A \$2775

**Step 2. Base Finish**

**47** trivalent chrome  A +\$0  
**91** white  A +\$0  
**BK** black  A +\$0

**Step 3. Outer Shell Finish**

**91** white  A +\$0  
**BK** black  A +\$0  
**WN** warm grey neutral  A +\$0

**Step 4. Shell Upholstery**

Price Category D +\$245  
 Price Category 1  A +\$0  
 Price Category 2 +\$11  
 Price Category 3 +\$0  
 Price Category (Geiger) 3 +\$27  
 Price Category (Geiger) 4 +\$62  
 Price Category 5 +\$102  
 Price Category (Geiger) 5 +\$102  
 Price Category 7 +\$599  
 Price Category (Geiger) 7 +\$194  
 Price Category (Geiger) 8 +\$256  
 Price Category 9 +\$319  
 Price Category (Geiger) 10 +\$382  
 Price Category 11 +\$445  
 Price Category (Geiger) 11 +\$445  
 Price Category B +\$53  
 Price Category (Geiger) C +\$88  
 Price Category G +\$298  
 Price Category H +\$368  
 Price Category J +\$508

Striad Mid-Back Lounge Chair,  
Wire Base *continued*

HermanMiller Collection—Lounge Seating

Step 5. Cushion Upholstery			
Price Category D		+\$245	
Price Category 1	A	+\$0	
Price Category 2		+\$11	
Price Category 3		+\$0	
Price Category (Geiger) 3		+\$27	
Price Category (Geiger) 4		+\$62	
Price Category 5		+\$102	
Price Category (Geiger) 5		+\$102	
Price Category 7		+\$599	
Price Category (Geiger) 7		+\$194	
Price Category (Geiger) 8		+\$256	
Price Category 9		+\$319	
Price Category (Geiger) 10		+\$382	
Price Category 11		+\$445	
Price Category (Geiger) 11		+\$445	
Price Category B		+\$53	
Price Category (Geiger) C		+\$80	
Price Category G		+\$298	
Price Category H		+\$368	
Price Category J		+\$508	
Step 6. Fire Retardancy			
<b>NFR</b>	not fire retardant	A	+\$0
<b>FR</b>	fire retardant	A	+\$275

Striad Low-Back Lounge Chair, CCL300  
4-Star Base



**Product Information**

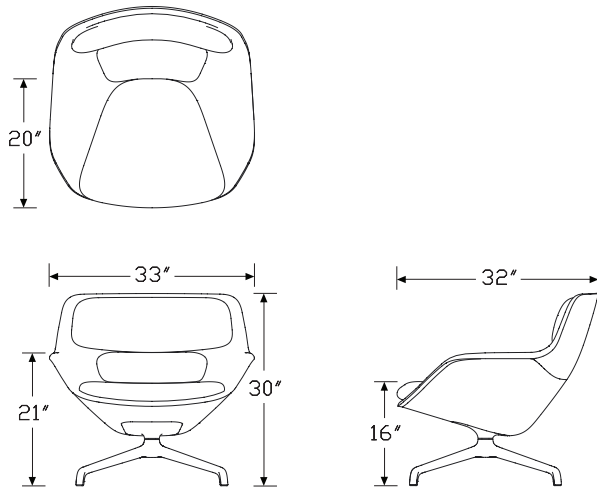
**Description**

This lounge chair has a low back, dual density foam cushions, and a 4-star aluminum base with a swivel-return feature. The outer shell provides rigidity and support while the inner shell provides flexibility for added movement and comfort.

**Notes**

Customer's Own Material (COM) requires 3½ yards (1¾ yards for shell, 1¾ yards for cushions). Customer's Own Leather (COL) requires 63 square feet (31½ sq ft for shell, 31½ sq ft for cushions). See Order Information in appendices.

**Dimensions**



**Specification Information**

**Step 1.**

**CCL300.**  A

**Step 2. Base**

**S** swivel, auto return  A

**Prices for Steps 1-2.**

**CCL300. S** \$2815

**Step 3. Base Finish**

**91** white  A +\$0  
**BK** black  A +\$0  
**PA** polished aluminum  A +\$0

**Step 4. Outer Shell Finish**

**91** white  A +\$0  
**BK** black  A +\$0  
**WN** warm grey neutral  A +\$0

**Step 5. Shell Upholstery**

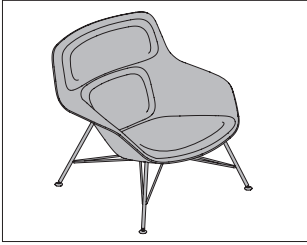
Price Category 1  A +\$0  
 Price Category 2 +\$11  
 Price Category 3 +\$0  
 Price Category (Geiger) 3 +\$25  
 Price Category (Geiger) 4 +\$57  
 Price Category 5 +\$92  
 Price Category (Geiger) 5 +\$92  
 Price Category 7  A +\$599  
 Price Category (Geiger) 7 +\$180  
 Price Category (Geiger) 8 +\$237  
 Price Category 9 +\$296  
 Price Category (Geiger) 10 +\$354  
 Price Category 11 +\$413  
 Price Category (Geiger) 11 +\$413  
 Price Category B +\$50  
 Price Category (Geiger) C +\$88  
 Price Category D +\$245  
 Price Category G +\$276  
 Price Category H +\$342  
 Price Category J +\$472

Striad Low-Back Lounge Chair,  
4-Star Base *continued*

Step 6. Cushion Upholstery		
	Price Category D	+\$245
	Price Category 1 <input type="checkbox"/> A	+\$0
	Price Category 2	+\$11
	Price Category 3	+\$0
	Price Category (Geiger) 3	+\$25
	Price Category (Geiger) 4	+\$57
	Price Category 5	+\$92
	Price Category (Geiger) 5	+\$92
	Price Category 7	+\$599
	Price Category (Geiger) 7	+\$180
	Price Category (Geiger) 8	+\$237
	Price Category 9	+\$296
	Price Category (Geiger) 10	+\$354
	Price Category 11	+\$413
	Price Category (Geiger) 11	+\$413
	Price Category B	+\$50
	Price Category (Geiger) C	+\$80
	Price Category G	+\$276
	Price Category H	+\$342
	Price Category J	+\$472
Step 7. Fire Retardancy		
<b>NFR</b>	not fire retardant <input type="checkbox"/> A	+\$0
<b>FR</b>	fire retardant <input type="checkbox"/> A	+\$250



Striad Low-Back Lounge Chair, CCL301  
Wire Base



**Product Information**

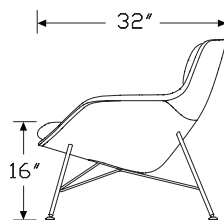
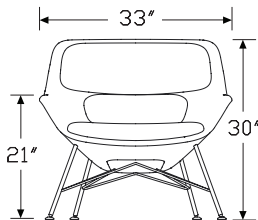
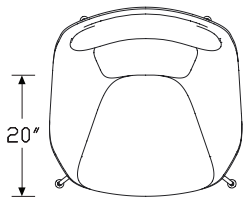
**Description**

This lounge chair has a low back, dual density foam cushions, and a 4-leg wire base. The outer shell provides rigidity and support while the inner shell provides flexibility for added movement and comfort.

**Notes**

Customer's Own Material (COM) requires 3½ yards (1¾ yards for shell, 1¾ yards for cushions). Customer's Own Leather (COL) requires 63 square feet (31½ sq ft for shell, 31½ sq ft for cushions). See Order Information in appendices.

**Dimensions**



**Specification Information**

**Step 1.**

**CCL301.**  A \$2595

**Step 2. Base Finish**

**47** trivalent chrome  A +\$0  
**91** white  A +\$0  
**BK** black  A +\$0

**Step 3. Outer Shell Finish**

**91** white  A +\$0  
**BK** black  A +\$0  
**WN** warm grey neutral  A +\$0

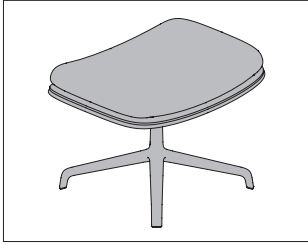
**Step 4. Shell Upholstery**

Price Category D +\$245  
 Price Category 1  A +\$0  
 Price Category 2 +\$11  
 Price Category 3 +\$0  
 Price Category (Geiger) 3 +\$25  
 Price Category (Geiger) 4 +\$57  
 Price Category 5 +\$92  
 Price Category (Geiger) 5 +\$92  
 Price Category 7  A +\$599  
 Price Category (Geiger) 7 +\$180  
 Price Category (Geiger) 8 +\$237  
 Price Category 9 +\$296  
 Price Category (Geiger) 10 +\$354  
 Price Category 11 +\$413  
 Price Category (Geiger) 11 +\$413  
 Price Category B +\$50  
 Price Category (Geiger) C +\$88  
 Price Category G +\$276  
 Price Category H +\$342  
 Price Category J +\$472

Striad Low-Back Lounge Chair,  
Wire Base *continued*

HermanMiller Collection—Lounge Seating

Step 5. Cushion Upholstery		
	Price Category D	+\$245
	Price Category 1 <input type="checkbox"/> A	+\$0
	Price Category 2	+\$11
	Price Category 3	+\$0
	Price Category (Geiger) 3	+\$25
	Price Category (Geiger) 4	+\$57
	Price Category 5	+\$92
	Price Category (Geiger) 5	+\$92
	Price Category 7	+\$599
	Price Category (Geiger) 7	+\$180
	Price Category (Geiger) 8	+\$237
	Price Category 9	+\$296
	Price Category (Geiger) 10	+\$354
	Price Category 11	+\$413
	Price Category (Geiger) 11	+\$413
	Price Category B	+\$50
	Price Category (Geiger) C	+\$80
	Price Category G	+\$276
	Price Category H	+\$342
	Price Category J	+\$472
Step 6. Fire Retardancy		
<b>NFR</b>	not fire retardant <input type="checkbox"/> A	+\$0
<b>FR</b>	fire retardant <input type="checkbox"/> A	+\$250



**Product Information**

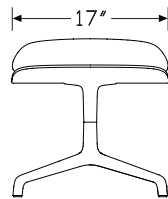
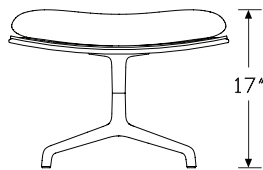
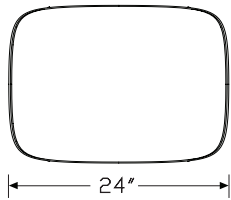
**Description**

This ottoman has a 4-star fixed aluminum base.

**Notes**

Customer's Own Material (COM) requires 2 yards (1 yard for shell, 1 yard for cushion). Customer's Own Leather (COL) requires 36 square feet (18 sq ft for shell, 18 sq ft for cushions). See Order Information in appendices.

**Dimensions**



**Specification Information**

**Step 1.**

**CCL400.** A \$1100

**Step 2. Base Finish**

**91** white A +\$0  
**BK** black A +\$0  
**PA** polished aluminum A +\$0

**Step 3. Shell Upholstery**

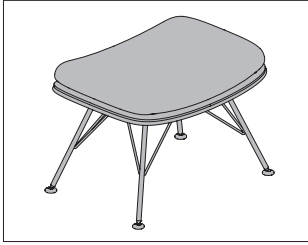
Price Category D +\$140  
 Price Category 1 A +\$0  
 Price Category 2 +\$7  
 Price Category 3 +\$0  
 Price Category (Geiger) 3 +\$16  
 Price Category (Geiger) 4 +\$35  
 Price Category 5 +\$57  
 Price Category (Geiger) 5 +\$57  
 Price Category 7 +\$342  
 Price Category (Geiger) 7 +\$111  
 Price Category (Geiger) 8 +\$146  
 Price Category 9 +\$182  
 Price Category (Geiger) 10 +\$218  
 Price Category 11 +\$254  
 Price Category (Geiger) 11 +\$254  
 Price Category B +\$31  
 Price Category (Geiger) C +\$31  
 Price Category G +\$170  
 Price Category H +\$211  
 Price Category J +\$291

# Striad Ottoman, 4-Star Base

continued

HermanMiller Collection—Lounge Seating

Step 4. Cushion Upholstery			
Price Category D		+\$140	
Price Category 1	A	+\$0	
Price Category 2		+\$7	
Price Category 3		+\$0	
Price Category (Geiger) 3		+\$16	
Price Category (Geiger) 4		+\$35	
Price Category 5		+\$57	
Price Category (Geiger) 5		+\$57	
Price Category 7		+\$342	
Price Category (Geiger) 7		+\$111	
Price Category (Geiger) 8		+\$146	
Price Category 9		+\$182	
Price Category (Geiger) 10		+\$218	
Price Category 11		+\$254	
Price Category (Geiger) 11		+\$254	
Price Category B		+\$31	
Price Category (Geiger) C		+\$0	
Price Category G		+\$170	
Price Category H		+\$211	
Price Category J		+\$291	
Step 5. Fire Retardancy			
<b>NFR</b>	not fire retardant	A	+\$0
<b>FR</b>	fire retardant	A	+\$150



**Product Information**

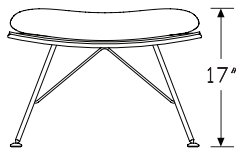
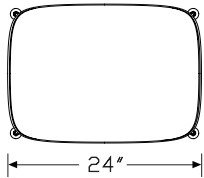
**Description**

This ottoman has a 4-leg wire base.

**Notes**

Customer's Own Material (COM) requires 2 yards (1 yard for shell, 1 yard for cushion). Customer's Own Leather (COL) requires 36 square feet (18 sq ft for shell, 18 sq ft for cushions). See Order Information in appendices.

**Dimensions**



**Specification Information**

**Step 1.**

**CCL401.** A \$1085

**Step 2. Base Finish**

**47** trivalent chrome A +\$0  
**91** white A +\$0  
**BK** black A +\$0

**Step 3. Shell Upholstery**

Price Category D +\$140  
 Price Category 1 A +\$0  
 Price Category 2 +\$7  
 Price Category 3 +\$0  
 Price Category (Geiger) 3 +\$16  
 Price Category (Geiger) 4 +\$35  
 Price Category 5 +\$57  
 Price Category (Geiger) 5 +\$57  
 Price Category 7 +\$342  
 Price Category (Geiger) 7 +\$111  
 Price Category (Geiger) 8 +\$146  
 Price Category 9 +\$182  
 Price Category (Geiger) 10 +\$218  
 Price Category 11 +\$254  
 Price Category (Geiger) 11 +\$254  
 Price Category B +\$31  
 Price Category (Geiger) C +\$31  
 Price Category G +\$170  
 Price Category H +\$211  
 Price Category J +\$291

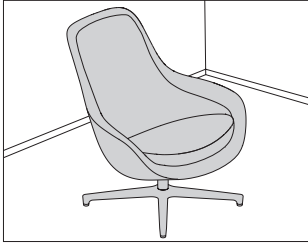
Striad Ottoman, Wire Base *continued*

HermanMiller Collection—Lounge Seating

Step 4. Cushion Upholstery		
	Price Category D	+\$140
	Price Category 1 <input type="checkbox"/> A	+\$0
	Price Category 2	+\$7
	Price Category 3	+\$0
	Price Category (Geiger) 3	+\$16
	Price Category (Geiger) 4	+\$35
	Price Category 5	+\$57
	Price Category (Geiger) 5	+\$57
	Price Category 7	+\$342
	Price Category (Geiger) 7	+\$111
	Price Category (Geiger) 8	+\$146
	Price Category 9	+\$182
	Price Category (Geiger) 10	+\$218
	Price Category 11	+\$254
	Price Category (Geiger) 11	+\$254
	Price Category B	+\$31
	Price Category (Geiger) C	+\$0
	Price Category G	+\$170
	Price Category H	+\$211
	Price Category J	+\$291
Step 5. Fire Retardancy		
<b>NFR</b>	not fire retardant <input type="checkbox"/> A	+\$0
<b>FR</b>	fire retardant <input type="checkbox"/> A	+\$150

# Saiba Lounge

SBN5H



### Product Information

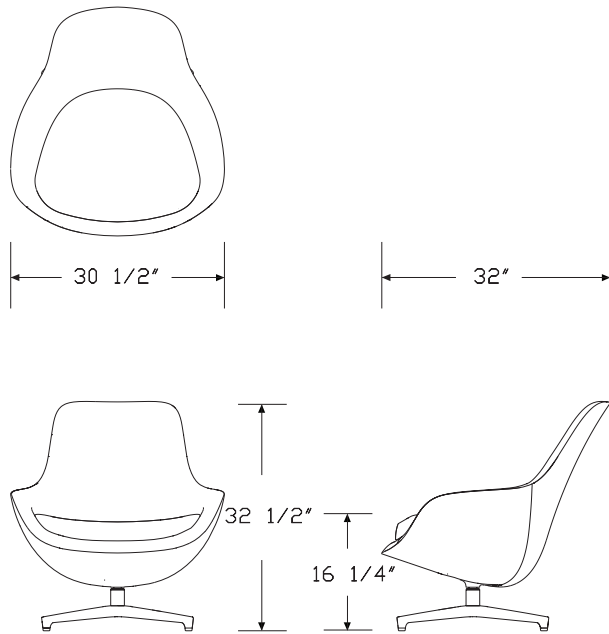
#### Description

This high back chair has a 4-star base with glides. Seat frame is rigid urethane with polyurethane foam. Cushion is high density foam.

#### Notes

Customer's Own Material (COM) requires 3 1/2 yards. Customer's Own Leather (COL) requires 63 square feet. See Order Information in Appendices.

### Dimensions



### Specification Information

#### Step 1.

**SBN5**  A

#### Step 2. Back Height

**H** high back  A

#### Prices for Steps 1-2.

**SBN5H** \$2700

#### Step 3. Upholstery

Price Category (Geiger) COL <input type="checkbox"/> A	+\$189
Price Category (Geiger) COM <input type="checkbox"/> A	+\$0
Price Category 1	+\$0
Price Category 2	+\$0
Price Category (Geiger) 3	+\$207
Price Category 3	+\$207
Price Category (Geiger) 4	+\$252
Price Category (Geiger) 5	+\$368
Price Category 5	+\$368
Price Category (Geiger) 7	+\$599
Price Category 9	+\$1138
Price Category (Geiger) 10	+\$1309
Price Category (Geiger) 11	+\$1467
Price Category 11	+\$1467
Price Category (Geiger) H	+\$606

#### Step 4. Base Finish

<b>BK</b> black <input type="checkbox"/> A	+\$0
<b>CD</b> polished aluminum <input type="checkbox"/> A	+\$0

#### Step 5. Fire Retardancy

<b>NOCAL</b> no cal-133 required <input type="checkbox"/> A	+\$0
<b>133</b> cal-133 required <input type="checkbox"/> A	+\$228



HermanMiller Collection—Lounge Seating

**Product Information**

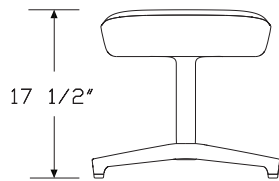
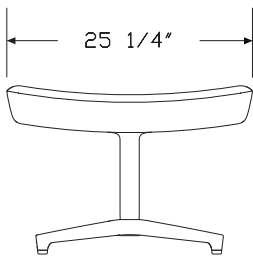
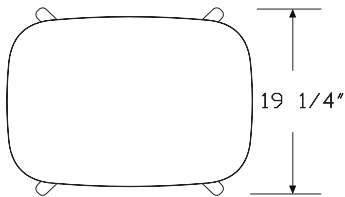
**Description**

This ottoman has upholstered high density foam and a 4-star base with glides.

**Notes**

Customer's Own Material (COM) requires 1 yard. Customer's Own Leather (COL) requires 18 square feet. See Order Information in Appendices.

**Dimensions**



**Specification Information**

**Step 1.**

**SBN6** [A] \$1075

**Step 2. Upholstery**

Price Category (Geiger) COL [A]	+\$72
Price Category (Geiger) COM [A]	+\$0
Price Category 1	+\$0
Price Category 2	+\$0
Price Category (Geiger) 3	+\$59
Price Category 3	+\$59
Price Category (Geiger) 4	+\$72
Price Category (Geiger) 5	+\$105
Price Category 5	+\$105
Price Category (Geiger) 7	+\$171
Price Category 9	+\$325
Price Category (Geiger) 10	+\$374
Price Category (Geiger) 11	+\$419
Price Category 11	+\$419
Price Category (Geiger) H	+\$173

**Step 3. Base Finish**

<b>BK</b> black [A]	+\$0
<b>CD</b> polished aluminum [A]	+\$0

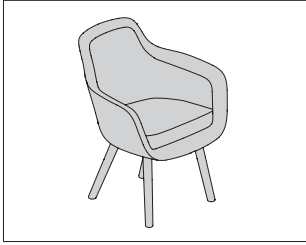
**Step 4. Fire Retardancy**

<b>NOCAL</b> no cal-133 required [A]	+\$0
<b>133</b> cal-133 required [A]	+\$65



# Saiba Guest Chair

SBN7M



### Product Information

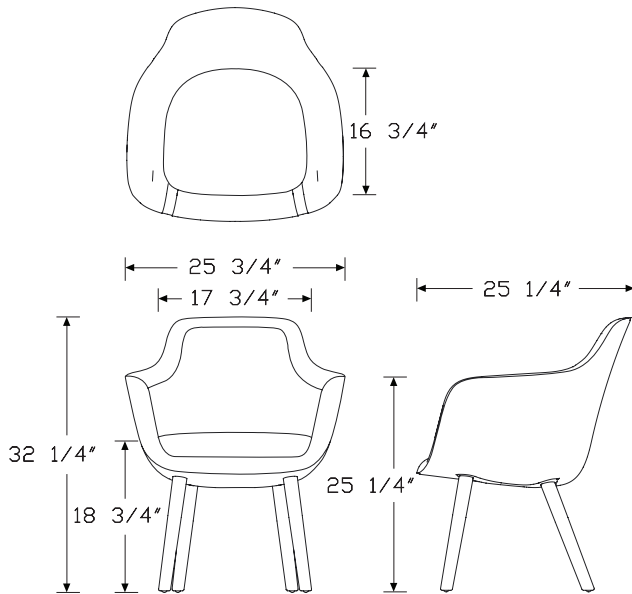
#### Description

This guest chair has a solid wood base available in ash or walnut. Seat frame is rigid urethane with polyurethane foam. Cushion is high density foam.

#### Notes

Customer's Own Material (COM) requires 2<sup>3</sup>/<sub>4</sub> yards. Customer's Own Leather (COL) requires 49<sup>1</sup>/<sub>2</sub> square feet. See Order Information in Appendices.

#### Dimensions



### Specification Information

#### Step 1.

**SBN7**  A

#### Step 2. Back Height

**M** mid back  A

#### Step 3. Frame

**A** ash  A

**W** walnut  A

#### Prices for Steps 1-3.

<b>SBN7M A</b>	\$1725
<b>W</b>	\$1725

#### Step 4. Upholstery

Price Category (Geiger) COL <input type="checkbox"/> A	+\$149
Price Category (Geiger) COM <input type="checkbox"/> A	+\$0
Price Category 1	+\$0
Price Category 2	+\$0
Price Category (Geiger) 3	+\$162
Price Category 3	+\$162
Price Category (Geiger) 4	+\$198
Price Category (Geiger) 5	+\$289
Price Category 5	+\$289
Price Category (Geiger) 7	+\$470
Price Category 9	+\$894
Price Category (Geiger) 10	+\$1029
Price Category (Geiger) 11	+\$1152
Price Category 11	+\$1152
Price Category (Geiger) H	+\$476

#### Step 5. Wood Finish

##### Low Sheen Finishes (on Ash)

##### For ash (A)

<b>967</b> smoked paldao, low sheen <input type="checkbox"/> A	+\$0
<b>969</b> warm paldao, low sheen <input type="checkbox"/> A	+\$0

# Saiba Guest Chair *continued*

## Low Sheen Finishes (on Ash)

*For ash (A)*

<b>G2U</b>	light brown walnut, low sheen <span style="border: 1px solid black; padding: 0 2px;">A</span>	+\$0
<b>G40</b>	dark brown walnut, low sheen <span style="border: 1px solid black; padding: 0 2px;">A</span>	+\$0
<b>940</b>	sundance cherry on maple <span style="border: 1px solid black; padding: 0 2px;">A</span>	+\$0
<b>943</b>	caramel cherry <span style="border: 1px solid black; padding: 0 2px;">A</span>	+\$0
<b>946</b>	cocoa cherry <span style="border: 1px solid black; padding: 0 2px;">A</span>	+\$0
<b>956</b>	cocoa sapele <span style="border: 1px solid black; padding: 0 2px;">A</span>	+\$0
<b>962</b>	toasted walnut, low sheen <span style="border: 1px solid black; padding: 0 2px;">A</span>	+\$0
<b>963</b>	charred walnut, low sheen <span style="border: 1px solid black; padding: 0 2px;">A</span>	+\$0
<b>964</b>	bronzed walnut, low sheen <span style="border: 1px solid black; padding: 0 2px;">A</span>	+\$0
<b>965</b>	smoked walnut, low sheen <span style="border: 1px solid black; padding: 0 2px;">A</span>	+\$0
<b>966</b>	coffee walnut, low sheen <span style="border: 1px solid black; padding: 0 2px;">A</span>	+\$0
<b>977</b>	chocolate ash, low sheen <span style="border: 1px solid black; padding: 0 2px;">A</span>	+\$0
<b>98R</b>	recograin rosewood <span style="border: 1px solid black; padding: 0 2px;">A</span>	+\$0
<b>991</b>	champagne ash <span style="border: 1px solid black; padding: 0 2px;">A</span>	+\$0
<b>998</b>	ebony ash <span style="border: 1px solid black; padding: 0 2px;">A</span>	+\$0
<b>99A</b>	recograin frosty ash <span style="border: 1px solid black; padding: 0 2px;">A</span>	+\$0
<b>99R</b>	recograin rosewood <span style="border: 1px solid black; padding: 0 2px;">A</span>	+\$0
<b>99T</b>	recograin teak <span style="border: 1px solid black; padding: 0 2px;">A</span>	+\$0
<b>9A1</b>	white ash, quarter cut, low sheen <span style="border: 1px solid black; padding: 0 2px;">A</span> <span style="border: 1px solid black; padding: 0 2px;">A</span>	+\$0
<b>9K1</b>	rift oak, rift cut, low sheen <span style="border: 1px solid black; padding: 0 2px;">A</span>	+\$0
<b>9K6</b>	burnt oak, rift cut, low sheen <span style="border: 1px solid black; padding: 0 2px;">A</span>	+\$0
<b>ED</b>	aged cherry <span style="border: 1px solid black; padding: 0 2px;">A</span>	+\$0
<b>EK</b>	medium red walnut <span style="border: 1px solid black; padding: 0 2px;">A</span>	+\$0
<b>UX</b>	walnut on cherry <span style="border: 1px solid black; padding: 0 2px;">A</span>	+\$0

## Matte Sheen Finishes (on Ash)

*For ash (A)*

<b>66A</b>	recograin frosty ash <span style="border: 1px solid black; padding: 0 2px;">A</span>	+\$0
<b>677</b>	chocolate ash, matte sheen <span style="border: 1px solid black; padding: 0 2px;">A</span>	+\$0
<b>68R</b>	recograin rosewood <span style="border: 1px solid black; padding: 0 2px;">A</span>	+\$0
<b>69A</b>	recograin frosty ash <span style="border: 1px solid black; padding: 0 2px;">A</span>	+\$0
<b>69R</b>	recograin rosewood <span style="border: 1px solid black; padding: 0 2px;">A</span>	+\$0
<b>69T</b>	recograin teak <span style="border: 1px solid black; padding: 0 2px;">A</span>	+\$0
<b>6A1</b>	white ash <span style="border: 1px solid black; padding: 0 2px;">A</span>	+\$0
<b>6K1</b>	rift oak <span style="border: 1px solid black; padding: 0 2px;">A</span>	+\$0
<b>6K6</b>	burnt oak <span style="border: 1px solid black; padding: 0 2px;">A</span>	+\$0
<b>ET</b>	clear on ash <span style="border: 1px solid black; padding: 0 2px;">A</span>	+\$0
<b>EU</b>	oak on ash <span style="border: 1px solid black; padding: 0 2px;">A</span>	+\$0
<b>EV</b>	walnut on ash <span style="border: 1px solid black; padding: 0 2px;">A</span>	+\$0
<b>GOU</b>	natural walnut, flat cut, matte sheen <span style="border: 1px solid black; padding: 0 2px;">A</span>	+\$0

## Matte Sheen Finishes (on Ash)

*For ash (A)*

<b>66G</b>	recograin wenge <span style="border: 1px solid black; padding: 0 2px;">A</span>	+\$0
<b>68W</b>	recograin walnut, flat cut, matte sheen <span style="border: 1px solid black; padding: 0 2px;">A</span>	+\$0
<b>69G</b>	recograin wenge <span style="border: 1px solid black; padding: 0 2px;">A</span>	+\$0
<b>69W</b>	recograin walnut, quarter cut, matte sheen <span style="border: 1px solid black; padding: 0 2px;">A</span>	+\$0

## Low Sheen Finishes (on Ash)

*For ash (A)*

<b>98W</b>	recograin walnut, flat cut, low sheen <span style="border: 1px solid black; padding: 0 2px;">A</span>	+\$0
<b>99G</b>	recograin wenge, quarter cut, low sheen <span style="border: 1px solid black; padding: 0 2px;">A</span>	+\$0
<b>99W</b>	recograin walnut, quarter cut, low sheen <span style="border: 1px solid black; padding: 0 2px;">A</span>	+\$0

## Low Sheen Finishes (on Walnut)

*For walnut (W)*

<b>967</b>	smoked paldao, low sheen <span style="border: 1px solid black; padding: 0 2px;">A</span>	+\$0
<b>969</b>	warm paldao, low sheen <span style="border: 1px solid black; padding: 0 2px;">A</span>	+\$0

## Low Sheen Finishes (on Walnut)

*For walnut (W)*

<b>G2U</b>	light brown walnut, low sheen <span style="border: 1px solid black; padding: 0 2px;">A</span>	+\$0
<b>G40</b>	dark brown walnut, low sheen <span style="border: 1px solid black; padding: 0 2px;">A</span>	+\$0
<b>962</b>	toasted walnut, low sheen <span style="border: 1px solid black; padding: 0 2px;">A</span>	+\$0
<b>963</b>	charred walnut, low sheen <span style="border: 1px solid black; padding: 0 2px;">A</span>	+\$0
<b>964</b>	bronzed walnut, low sheen <span style="border: 1px solid black; padding: 0 2px;">A</span>	+\$0
<b>965</b>	smoked walnut, low sheen <span style="border: 1px solid black; padding: 0 2px;">A</span>	+\$0
<b>966</b>	coffee walnut, low sheen <span style="border: 1px solid black; padding: 0 2px;">A</span>	+\$0
<b>972</b>	sundance walnut <span style="border: 1px solid black; padding: 0 2px;">A</span>	+\$0
<b>98R</b>	recograin rosewood <span style="border: 1px solid black; padding: 0 2px;">A</span>	+\$0
<b>99R</b>	recograin rosewood <span style="border: 1px solid black; padding: 0 2px;">A</span>	+\$0
<b>EK</b>	medium red walnut <span style="border: 1px solid black; padding: 0 2px;">A</span>	+\$0

## Matte Sheen Finishes (on Walnut)

*For walnut (W)*

<b>667</b>	smoked paldao, quarter cut, matte sheen <span style="border: 1px solid black; padding: 0 2px;">A</span>	+\$0
<b>669</b>	warm paldao, quarter cut, matte sheen <span style="border: 1px solid black; padding: 0 2px;">A</span>	+\$0
<b>662</b>	toasted walnut, matte sheen <span style="border: 1px solid black; padding: 0 2px;">A</span>	+\$0
<b>663</b>	charred walnut, matte sheen <span style="border: 1px solid black; padding: 0 2px;">A</span>	+\$0
<b>664</b>	bronzed walnut, matte sheen <span style="border: 1px solid black; padding: 0 2px;">A</span>	+\$0
<b>665</b>	smoked walnut, matte sheen <span style="border: 1px solid black; padding: 0 2px;">A</span>	+\$0
<b>666</b>	coffee walnut, matte sheen <span style="border: 1px solid black; padding: 0 2px;">A</span>	+\$0
<b>68R</b>	recograin rosewood <span style="border: 1px solid black; padding: 0 2px;">A</span>	+\$0
<b>69R</b>	recograin rosewood <span style="border: 1px solid black; padding: 0 2px;">A</span>	+\$0
<b>GOU</b>	natural walnut, flat cut, matte sheen <span style="border: 1px solid black; padding: 0 2px;">A</span>	+\$0

Saiba Guest Chair *continued*

---

Matte Sheen Finishes (on Walnut)

*For walnut (W)*

<b>66G</b>	recograin wenge <input type="checkbox"/> A	+\$0
<b>69G</b>	recograin wenge <input type="checkbox"/> A	+\$0

---

Low Sheen Finishes (on Walnut)

*For walnut (W)*

<b>96G</b>	wenge recograin, quarter cut, low sheen <input type="checkbox"/> A	+\$0
<b>99G</b>	recograin wenge, quarter cut, low sheen <input type="checkbox"/> A	+\$0

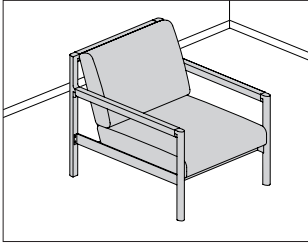
---

Step 6. Fire Retardancy

<b>133</b>	cal-133 required <input type="checkbox"/> A	+\$179
<b>NOCAL</b>	no cal-133 required <input type="checkbox"/> A	+\$0

# Brabo Lounge Chair

SVV4A  
SVV4W



HermanMiller Collection—Lounge Seating

## Product Information

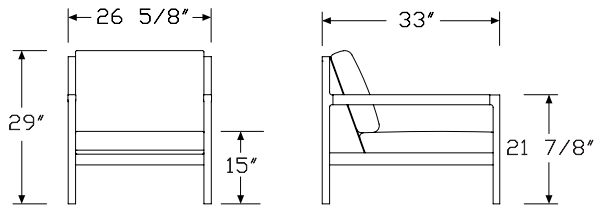
### Description

This lounge chair has a solid ash or solid walnut frame with steel-plated metal, leather sling and arm wrap, and upholstered foam cushions.

### Notes

Customers Own Material (COM) requires 2 yards for the back and seat cushions. Customers Own Leather (COL) requires 36 square feet for the back and seat cushions, and an additional 27 square feet for the sling and arm wrap. See Order Information in Appendices.

### Dimensions



## Specification Information

### Step 1.

**SVV4**

### Step 2. Frame Finish

**A** ash

**W** walnut

### Prices for Steps 1-2.

**SVV4A** \$2621

**SVV4W** \$3147

### Step 3. Wood Finish

#### Premium Veneer - Low Sheen

#### For ash (A)

<b>940</b>	sundance cherry on maple <input type="checkbox"/>	+\$0
<b>943</b>	caramel cherry <input type="checkbox"/>	+\$0
<b>946</b>	cocoa cherry <input type="checkbox"/>	+\$0
<b>956</b>	cocoa sapele <input type="checkbox"/>	+\$0
<b>962</b>	toasted walnut, low sheen <input type="checkbox"/>	+\$0
<b>963</b>	charred walnut, low sheen <input type="checkbox"/>	+\$0
<b>964</b>	bronzed walnut, low sheen <input type="checkbox"/>	+\$0
<b>965</b>	smoked walnut, low sheen <input type="checkbox"/>	+\$0
<b>966</b>	coffee walnut, low sheen <input type="checkbox"/>	+\$0
<b>977</b>	chocolate ash, low sheen <input type="checkbox"/>	+\$0
<b>98R</b>	recograin rosewood <input type="checkbox"/>	+\$0
<b>991</b>	champagne ash <input type="checkbox"/>	+\$0
<b>998</b>	ebony ash <input type="checkbox"/>	+\$0
<b>99A</b>	recograin frosty ash <input type="checkbox"/>	+\$0
<b>99R</b>	recograin rosewood <input type="checkbox"/>	+\$0
<b>99T</b>	recograin teak <input type="checkbox"/>	+\$0
<b>9A1</b>	white ash, quarter cut, low sheen <input type="checkbox"/>	+\$0
<b>9K1</b>	rift oak, rift cut, low sheen <input type="checkbox"/>	+\$0
<b>9K6</b>	burnt oak, rift cut, low sheen <input type="checkbox"/>	+\$0
<b>ED</b>	aged cherry <input type="checkbox"/>	+\$0
<b>EK</b>	medium red walnut <input type="checkbox"/>	+\$0
<b>G2U</b>	light brown walnut, low sheen <input type="checkbox"/>	+\$0
<b>G40</b>	dark brown walnut, low sheen <input type="checkbox"/>	+\$0
<b>UX</b>	walnut on cherry <input type="checkbox"/>	+\$0

Brabo Lounge Chair *continued*

Premium Veneer - Matte		
<i>For ash (A)</i>		
<b>66A</b>	recograin frosty ash [A]	+\$0
<b>677</b>	chocolate ash, matte sheen [A]	+\$0
<b>68R</b>	recograin rosewood [A]	+\$0
<b>69A</b>	recograin frosty ash [A]	+\$0
<b>69R</b>	recograin rosewood [A]	+\$0
<b>69T</b>	recograin teak [A]	+\$0
<b>6A1</b>	white ash [A]	+\$0
<b>6K1</b>	rift oak [A]	+\$0
<b>6K6</b>	burnt oak [A]	+\$0
<b>ET</b>	clear on ash [A]	+\$0
<b>EU</b>	oak on ash [A]	+\$0
<b>EV</b>	walnut on ash [A]	+\$0
<b>GOU</b>	natural walnut, flat cut, matte sheen [A]	+\$0

Anigre Veneer - Low Sheen		
<i>For ash (A)</i>		
<b>967</b>	smoked paldao, low sheen [A]	+\$0
<b>969</b>	warm paldao, low sheen [A]	+\$0

RecoGrain Veneer		
<i>For ash (A)</i>		
<b>66G</b>	recograin wenge [A]	+\$0
<b>68W</b>	recograin walnut, flat cut, matte sheen [A]	+\$0
<b>69G</b>	recograin wenge, quarter cut, matte sheen [A]	+\$0
<b>69W</b>	recograin walnut, quarter cut, matte sheen [A]	+\$0

Recon Veneer -		
<i>For ash (A)</i>		
<b>98W</b>	recograin walnut, flat cut, low sheen [A]	+\$0
<b>99G</b>	recograin wenge, quarter cut, low sheen [A]	+\$0
<b>99W</b>	recograin walnut, quarter cut, low sheen [A]	+\$0

Premium Veneer - Low Sheen		
<i>For walnut (W)</i>		
<b>962</b>	toasted walnut, low sheen [A]	+\$0
<b>963</b>	charred walnut, low sheen [A]	+\$0
<b>964</b>	bronzed walnut, low sheen [A]	+\$0
<b>965</b>	smoked walnut, low sheen [A]	+\$0
<b>966</b>	coffee walnut, low sheen [A]	+\$0
<b>972</b>	sundance walnut [A]	+\$0
<b>98R</b>	recograin rosewood [A]	+\$0
<b>99R</b>	recograin rosewood [A]	+\$0
<b>EK</b>	medium red walnut [A]	+\$0
<b>G2U</b>	light brown walnut, low sheen [A]	+\$0
<b>G40</b>	dark brown walnut, low sheen [A]	+\$0

Premium Veneer - Matte		
<i>For walnut (W)</i>		
<b>662</b>	toasted walnut, matte sheen [A]	+\$0
<b>663</b>	charred walnut, matte sheen [A]	+\$0
<b>664</b>	bronzed walnut, matte sheen [A]	+\$0
<b>665</b>	smoked walnut, matte sheen [A]	+\$0
<b>666</b>	coffee walnut, matte sheen [A]	+\$0
<b>669</b>	warm paldao, quarter cut, matte sheen [A]	+\$0
<b>68R</b>	recograin rosewood [A]	+\$0
<b>69R</b>	recograin rosewood [A]	+\$0
<b>GOU</b>	natural walnut, flat cut, matte sheen [A]	+\$0

Anigre Veneer - Low Sheen		
<i>For walnut (W)</i>		
<b>967</b>	smoked paldao, low sheen [A]	+\$0
<b>969</b>	warm paldao, low sheen [A]	+\$0

RecoGrain Veneer		
<i>For walnut (W)</i>		
<b>66G</b>	recograin wenge [A]	+\$0
<b>69G</b>	recograin wenge [A]	+\$0

<i>For walnut (W)</i>		
<b>96G</b>	wenge recograin, quarter cut, low sheen [A]	+\$0
<b>99G</b>	recograin wenge, quarter cut, low sheen [A]	+\$0

Step 4. Seat/Back Fabric	
Price Category 1	+\$0
Price Category 2	+\$94
Price Category (Geiger) 3	+\$118
Price Category 3	+\$118
Price Category (Geiger) 4	+\$144
Price Category 4	+\$144
Price Category (Geiger) 5	+\$210
Price Category 5	+\$210
Price Category (Geiger) 6	+\$276
Price Category (Geiger) 7	+\$342
Price Category (Geiger) 8	+\$524
Price Category 9	+\$650
Price Category (Geiger) 10	+\$748
Price Category (Geiger) 11	+\$838
Price Category 11	+\$838
Price Category (Geiger) 14	+\$0
Price Category (Geiger) C	+\$104
Price Category (Geiger) D	+\$140
Price Category (Geiger) E	+\$170
Price Category (Geiger) F	+\$204

# Brabo Lounge Chair *continued*

Price Category (Geiger) G	+\$278
Price Category (Geiger) H	+\$346
Price Category (Geiger) I	+\$418
Price Category (Geiger) J	+\$490
Price Category (Geiger) K	+\$562
Price Category (Geiger) L	+\$634
Price Category (Geiger) M	+\$706
Price Category (Geiger) N	+\$778
Price Category (Geiger) O	+\$850
Price Category (Geiger) P	+\$920
Price Category (Geiger) Q	+\$1062
Price Category (Geiger) R	+\$1480
Price Category (Geiger) S	+\$1590
Price Category (Geiger) T	+\$1700
Price Category (Geiger) U	+\$1810
Price Category (Geiger) X	+\$2140
Price Category (Geiger) Y	+\$2250
Price Category (Geiger) COL <input type="checkbox"/>	+\$108
Price Category (Geiger) COM <input type="checkbox"/>	+\$0

---

### Step 5. Sling/Arm Leather

Price Category (Geiger) 11	+\$629
Price Category 11	+\$629

---

### Step 6. Base Finish

<b>BNZ</b> bronze <input type="checkbox"/>	+\$0
<b>CHR</b> chrome <input type="checkbox"/>	+\$0
<b>SAC</b> satin chrome <input type="checkbox"/>	+\$0

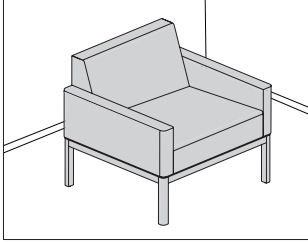
---

### Step 7. Fire Retardancy

<b>NOCAL</b> no cal-133 required <input type="checkbox"/>	+\$0
<b>133</b> cal-133 required <input type="checkbox"/>	+\$130

# Wood Base Club Chair

TT1AA  
TT1AW



### Product Information

#### Description

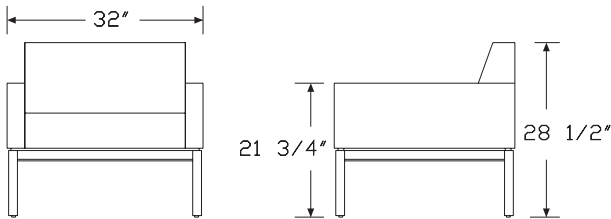
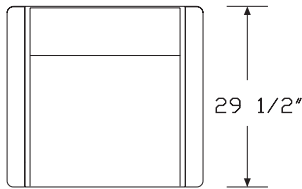
This club chair has a polyurethane foam and Dacron® seat with a solid wood base. Base comes in ash or walnut.

#### Notes

Fire retardant chair meets CAL 133 requirements.

Customers Own Material (COM) requires 3¼ yards. Customers Own Leather (COL) requires 59 square feet. See Order Information in appendices.

#### Dimensions



### Specification Information

#### Step 1.

**TT1**  A

#### Step 2. Arms

**A** arms  A

#### Step 3. Wood Finish

**A** ash  A

**W** walnut  A

#### Prices for Steps 1-3.

<b>TT1AA</b>	\$2495
<b>TT1AW</b>	\$2595

#### Step 4. Upholstery

Price Category (Geiger) COL <input type="checkbox"/> A	+\$234
Price Category (Geiger) COM <input type="checkbox"/> A	+\$0
Price Category 1	+\$0
Price Category (Geiger) 2	+\$153
Price Category 2	+\$0
Price Category (Geiger) 3	+\$192
Price Category 3	+\$0
Price Category (Geiger) 4	+\$234
Price Category (Geiger) 5	+\$341
Price Category 5	+\$341
Price Category (Geiger) 6	+\$0
Price Category (Geiger) 7	+\$556
Price Category (Geiger) 8	+\$852
Price Category (Geiger) 10	+\$1216
Price Category (Geiger) 11	+\$1362
Price Category 11	+\$1362

#### Step 5. Leg Finish

#### Low Sheen Finishes (on Ash)

#### For ash (A)

<b>967</b> smoked paldao, low sheen <input type="checkbox"/> A	+\$0
<b>969</b> warm paldao, low sheen <input type="checkbox"/> A	+\$0

# Wood Base Club Chair *continued*

## Low Sheen Finishes (on Ash)

*For ash (A)*

<b>G2U</b>	light brown walnut, low sheen <span style="border: 1px solid black; padding: 0 2px;">A</span>	+\$0
<b>G40</b>	dark brown walnut, low sheen <span style="border: 1px solid black; padding: 0 2px;">A</span>	+\$0
<b>940</b>	sundance cherry on maple <span style="border: 1px solid black; padding: 0 2px;">A</span>	+\$0
<b>943</b>	caramel cherry <span style="border: 1px solid black; padding: 0 2px;">A</span>	+\$0
<b>946</b>	cocoa cherry <span style="border: 1px solid black; padding: 0 2px;">A</span>	+\$0
<b>956</b>	cocoa sapele <span style="border: 1px solid black; padding: 0 2px;">A</span>	+\$0
<b>962</b>	toasted walnut, low sheen <span style="border: 1px solid black; padding: 0 2px;">A</span>	+\$0
<b>963</b>	charred walnut, low sheen <span style="border: 1px solid black; padding: 0 2px;">A</span>	+\$0
<b>964</b>	bronzed walnut, low sheen <span style="border: 1px solid black; padding: 0 2px;">A</span>	+\$0
<b>965</b>	smoked walnut, low sheen <span style="border: 1px solid black; padding: 0 2px;">A</span>	+\$0
<b>966</b>	coffee walnut, low sheen <span style="border: 1px solid black; padding: 0 2px;">A</span>	+\$0
<b>977</b>	chocolate ash, low sheen <span style="border: 1px solid black; padding: 0 2px;">A</span>	+\$0
<b>98R</b>	recograin rosewood <span style="border: 1px solid black; padding: 0 2px;">A</span>	+\$0
<b>991</b>	champagne ash <span style="border: 1px solid black; padding: 0 2px;">A</span>	+\$0
<b>998</b>	ebony ash <span style="border: 1px solid black; padding: 0 2px;">A</span>	+\$0
<b>99A</b>	recograin frosty ash <span style="border: 1px solid black; padding: 0 2px;">A</span>	+\$0
<b>99R</b>	recograin rosewood <span style="border: 1px solid black; padding: 0 2px;">A</span>	+\$0
<b>99T</b>	recograin teak <span style="border: 1px solid black; padding: 0 2px;">A</span>	+\$0
<b>9A1</b>	white ash, quarter cut, low sheen <span style="border: 1px solid black; padding: 0 2px;">A</span>	+\$0
<b>9K1</b>	rift oak, rift cut, low sheen <span style="border: 1px solid black; padding: 0 2px;">A</span>	+\$0
<b>9K6</b>	burnt oak, rift cut, low sheen <span style="border: 1px solid black; padding: 0 2px;">A</span>	+\$0
<b>ED</b>	aged cherry <span style="border: 1px solid black; padding: 0 2px;">A</span>	+\$0
<b>EK</b>	medium red walnut <span style="border: 1px solid black; padding: 0 2px;">A</span>	+\$0
<b>UX</b>	walnut on cherry <span style="border: 1px solid black; padding: 0 2px;">A</span>	+\$0

## Matte Sheen Finishes (on Ash)

*For ash (A)*

<b>66A</b>	recograin frosty ash <span style="border: 1px solid black; padding: 0 2px;">A</span>	+\$0
<b>677</b>	chocolate ash, matte sheen <span style="border: 1px solid black; padding: 0 2px;">A</span>	+\$0
<b>68R</b>	recograin rosewood <span style="border: 1px solid black; padding: 0 2px;">A</span>	+\$0
<b>69A</b>	recograin frosty ash <span style="border: 1px solid black; padding: 0 2px;">A</span>	+\$0
<b>69R</b>	recograin rosewood <span style="border: 1px solid black; padding: 0 2px;">A</span>	+\$0
<b>69T</b>	recograin teak <span style="border: 1px solid black; padding: 0 2px;">A</span>	+\$0
<b>6A1</b>	white ash <span style="border: 1px solid black; padding: 0 2px;">A</span>	+\$0
<b>6K1</b>	rift oak <span style="border: 1px solid black; padding: 0 2px;">A</span>	+\$0
<b>6K6</b>	burnt oak <span style="border: 1px solid black; padding: 0 2px;">A</span>	+\$0
<b>ET</b>	clear on ash <span style="border: 1px solid black; padding: 0 2px;">A</span>	+\$0
<b>EU</b>	oak on ash <span style="border: 1px solid black; padding: 0 2px;">A</span>	+\$0
<b>EV</b>	walnut on ash <span style="border: 1px solid black; padding: 0 2px;">A</span>	+\$0
<b>GOU</b>	natural walnut, flat cut, matte sheen <span style="border: 1px solid black; padding: 0 2px;">A</span>	+\$0

## Matte Sheen Finishes (on Ash)

*For ash (A)*

<b>66G</b>	recograin wenge <span style="border: 1px solid black; padding: 0 2px;">A</span>	+\$0
<b>68W</b>	recograin walnut, flat cut, matte sheen <span style="border: 1px solid black; padding: 0 2px;">A</span>	+\$0
<b>69G</b>	recograin wenge <span style="border: 1px solid black; padding: 0 2px;">A</span>	+\$0
<b>69W</b>	recograin walnut, quarter cut, matte sheen <span style="border: 1px solid black; padding: 0 2px;">A</span>	+\$0

## Low Sheen Finishes (on Ash)

*For ash (A)*

<b>98W</b>	recograin walnut, flat cut, low sheen <span style="border: 1px solid black; padding: 0 2px;">A</span>	+\$0
<b>99G</b>	recograin wenge, quarter cut, low sheen <span style="border: 1px solid black; padding: 0 2px;">A</span>	+\$0
<b>99W</b>	recograin walnut, quarter cut, low sheen <span style="border: 1px solid black; padding: 0 2px;">A</span>	+\$0

## Low Sheen Finishes (on Walnut)

*For walnut (W)*

<b>967</b>	smoked paldao, low sheen <span style="border: 1px solid black; padding: 0 2px;">A</span>	+\$0
<b>969</b>	warm paldao, low sheen <span style="border: 1px solid black; padding: 0 2px;">A</span>	+\$0

## Low Sheen Finishes (on Walnut)

*For walnut (W)*

<b>962</b>	toasted walnut, low sheen <span style="border: 1px solid black; padding: 0 2px;">A</span>	+\$0
<b>963</b>	charred walnut, low sheen <span style="border: 1px solid black; padding: 0 2px;">A</span>	+\$0
<b>964</b>	bronzed walnut, low sheen <span style="border: 1px solid black; padding: 0 2px;">A</span>	+\$0
<b>965</b>	smoked walnut, low sheen <span style="border: 1px solid black; padding: 0 2px;">A</span>	+\$0
<b>966</b>	coffee walnut, low sheen <span style="border: 1px solid black; padding: 0 2px;">A</span>	+\$0
<b>972</b>	sundance walnut <span style="border: 1px solid black; padding: 0 2px;">A</span>	+\$0
<b>98R</b>	recograin rosewood <span style="border: 1px solid black; padding: 0 2px;">A</span>	+\$0
<b>99R</b>	recograin rosewood <span style="border: 1px solid black; padding: 0 2px;">A</span>	+\$0
<b>EK</b>	medium red walnut <span style="border: 1px solid black; padding: 0 2px;">A</span>	+\$0
<b>G2U</b>	light brown walnut, low sheen <span style="border: 1px solid black; padding: 0 2px;">A</span>	+\$0
<b>G40</b>	dark brown walnut, low sheen <span style="border: 1px solid black; padding: 0 2px;">A</span>	+\$0

## Low Sheen Finishes (on Walnut)

*For walnut (W)*

<b>96G</b>	wenge recograin, quarter cut, low sheen <span style="border: 1px solid black; padding: 0 2px;">A</span>	+\$0
<b>99G</b>	recograin wenge, quarter cut, low sheen <span style="border: 1px solid black; padding: 0 2px;">A</span>	+\$0



## Wood Base Club Chair *continued*

---

### Matte Sheen Finishes (on Walnut)

#### *For walnut (W)*

<b>662</b>	toasted walnut, matte sheen	<input type="checkbox"/> A	+\$0
<b>663</b>	charred walnut, matte sheen	<input type="checkbox"/> A	+\$0
<b>664</b>	bronzed walnut, matte sheen	<input type="checkbox"/> A	+\$0
<b>665</b>	smoked walnut, matte sheen	<input type="checkbox"/> A	+\$0
<b>666</b>	coffee walnut, matte sheen	<input type="checkbox"/> A	+\$0
<b>667</b>	smoked paldao, quarter cut, matte sheen	<input type="checkbox"/> A	+\$0
<b>669</b>	warm paldao, quarter cut, matte sheen	<input type="checkbox"/> A	+\$0
<b>68R</b>	recograin rosewood	<input type="checkbox"/> A	+\$0
<b>69R</b>	recograin rosewood	<input type="checkbox"/> A	+\$0
<b>GOU</b>	natural walnut, flat cut, matte sheen	<input type="checkbox"/> A	+\$0

---

### Matte Sheen Finishes (on Walnut)

#### *For walnut (W)*

<b>66G</b>	recograin wenge	<input type="checkbox"/> A	+\$0
<b>69G</b>	recograin wenge	<input type="checkbox"/> A	+\$0

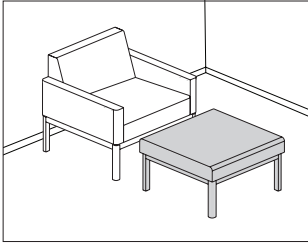
---

### Step 6. Fire Retardancy

<b>133</b>	cal-133 required	<input type="checkbox"/> A	+\$176
<b>NOCAL</b>	no cal-133 required	<input type="checkbox"/> A	+\$0

# Wood Base Ottoman

TT1BA  
TT1BW



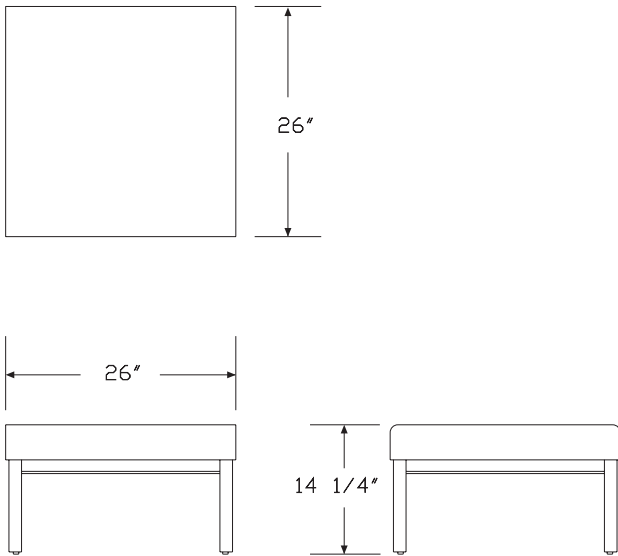
HermanMiller Collection—Lounge Seating

### Product Information

**Description**  
This 14<sup>3</sup>/<sub>4</sub>" high ottoman has a polyurethane foam and Dacron® seat with a solid wood base. Base comes in ash or walnut.

**Notes**  
Fire retardant ottoman meets CAL 133 requirements.  
Customers Own Material (COM) requires 1<sup>1</sup>/<sub>2</sub> yards. Customers Own Leather (COL) requires 35 square feet. See Order Information in appendices.

### Dimensions



### Specification Information

#### Step 1.

**TT1B**  A

#### Step 2. Wood Finish

**A** ash  A  
**W** walnut  A

#### Prices for Steps 1-2.

<b>TT1BA</b>	\$1295
<b>TT1BW</b>	\$1395

#### Step 3. Upholstery

Price Category (Geiger) COL <input type="checkbox"/> A	+\$108
Price Category (Geiger) COM <input type="checkbox"/> A	+\$0
Price Category 1	+\$0
Price Category (Geiger) 2	+\$71
Price Category 2	+\$0
Price Category (Geiger) 3	+\$89
Price Category 3	+\$0
Price Category (Geiger) 4	+\$108
Price Category (Geiger) 5	+\$158
Price Category 5	+\$158
Price Category (Geiger) 6	+\$0
Price Category (Geiger) 7	+\$257
Price Category (Geiger) 8	+\$393
Price Category (Geiger) 10	+\$561
Price Category (Geiger) 11	+\$629
Price Category 11	+\$629

#### Step 4. Leg Finish

#### Low Sheen Finishes (on Ash)

*For ash (A)*

<b>967</b>	smoked paldao, low sheen <input type="checkbox"/> A	+\$0
<b>969</b>	warm paldao, low sheen <input type="checkbox"/> A	+\$0

# Wood Base Ottoman *continued*

## Low Sheen Finishes (on Ash)

### For ash (A)

<b>940</b>	sundance cherry on maple [A]	+\$0
<b>943</b>	caramel cherry [A]	+\$0
<b>946</b>	cocoa cherry [A]	+\$0
<b>956</b>	cocoa sapele [A]	+\$0
<b>962</b>	toasted walnut, low sheen [A]	+\$0
<b>963</b>	charred walnut, low sheen [A]	+\$0
<b>964</b>	bronzed walnut, low sheen [A]	+\$0
<b>965</b>	smoked walnut, low sheen [A]	+\$0
<b>966</b>	coffee walnut, low sheen [A]	+\$0
<b>977</b>	chocolate ash, low sheen [A]	+\$0
<b>98R</b>	recograin rosewood [A]	+\$0
<b>991</b>	champagne ash [A]	+\$0
<b>998</b>	ebony ash [A]	+\$0
<b>99A</b>	recograin frosty ash [A]	+\$0
<b>99R</b>	recograin rosewood [A]	+\$0
<b>99T</b>	recograin teak [A]	+\$0
<b>9A1</b>	white ash, quarter cut, low sheen [A]	+\$0
<b>9K1</b>	rift oak, rift cut, low sheen [A]	+\$0
<b>9K6</b>	burnt oak, rift cut, low sheen [A]	+\$0
<b>ED</b>	aged cherry [A]	+\$0
<b>EK</b>	medium red walnut [A]	+\$0
<b>G2U</b>	light brown walnut, low sheen [A]	+\$0
<b>G40</b>	dark brown walnut, low sheen [A]	+\$0
<b>UX</b>	walnut on cherry [A]	+\$0

## Low Sheen Finishes (on Ash)

### For ash (A)

<b>98W</b>	recograin walnut, flat cut, low sheen [A]	+\$0
<b>99G</b>	recograin wenge, quarter cut, low sheen [A]	+\$0
<b>99W</b>	recograin walnut, quarter cut, low sheen [A]	+\$0

## Matte Sheen Finishes (on Ash)

### For ash (A)

<b>66A</b>	frosty ash recograin, quarter cut, matte sheen [A]	+\$0
<b>677</b>	chocolate ash, matte sheen [A]	+\$0
<b>68R</b>	recograin rosewood [A]	+\$0
<b>69A</b>	recograin frosty ash [A]	+\$0
<b>69R</b>	recograin rosewood [A]	+\$0
<b>69T</b>	recograin teak [A]	+\$0
<b>6A1</b>	white ash [A]	+\$0
<b>6K1</b>	rift oak [A]	+\$0
<b>6K6</b>	burnt oak [A]	+\$0
<b>ET</b>	clear on ash [A]	+\$0
<b>EU</b>	oak on ash [A]	+\$0
<b>EV</b>	walnut on ash [A]	+\$0
<b>GOU</b>	natural walnut, flat cut, matte sheen [A]	+\$0

## Matte Sheen Finishes (on Ash)

### For ash (A)

<b>66G</b>	recograin wenge [A]	+\$0
<b>68W</b>	recograin walnut, flat cut, matte sheen [A]	+\$0
<b>69G</b>	recograin wenge [A]	+\$0
<b>69W</b>	recograin walnut, quarter cut, matte sheen [A]	+\$0

## Low Sheen Finishes (on Walnut)

### For walnut (W)

<b>967</b>	smoked paldao, low sheen [A]	+\$0
<b>969</b>	warm paldao, low sheen [A]	+\$0

## Low Sheen Finishes (on Walnut)

### For walnut (W)

<b>962</b>	toasted walnut, low sheen [A]	+\$0
<b>963</b>	charred walnut, low sheen [A]	+\$0
<b>964</b>	bronzed walnut, low sheen [A]	+\$0
<b>965</b>	smoked walnut, low sheen [A]	+\$0
<b>966</b>	coffee walnut, low sheen [A]	+\$0
<b>972</b>	sundance walnut [A]	+\$0
<b>98R</b>	recograin rosewood [A]	+\$0
<b>99R</b>	recograin rosewood [A]	+\$0
<b>EK</b>	medium red walnut [A]	+\$0
<b>G2U</b>	light brown walnut, low sheen [A]	+\$0
<b>G40</b>	dark brown walnut, low sheen [A]	+\$0

## Low Sheen Finishes (on Walnut)

### For walnut (W)

<b>96G</b>	wenge recograin, quarter cut, low sheen [A]	+\$0
<b>99G</b>	recograin wenge, quarter cut, low sheen [A]	+\$0

Wood Base Ottoman *continued*

HermanMiller Collection—Lounge Seating

---

Matte Sheen Finishes (on Walnut)

*For walnut (W)*

---

<b>662</b>	toasted walnut, matte sheen	<input type="checkbox"/> A	+\$0
<b>663</b>	charred walnut, matte sheen	<input type="checkbox"/> A	+\$0
<b>664</b>	bronzed walnut, matte sheen	<input type="checkbox"/> A	+\$0
<b>665</b>	smoked walnut, matte sheen	<input type="checkbox"/> A	+\$0
<b>666</b>	coffee walnut, matte sheen	<input type="checkbox"/> A	+\$0
<b>667</b>	smoked paldao, quarter cut, matte sheen	<input type="checkbox"/> A	+\$0
<b>669</b>	warm paldao, quarter cut, matte sheen	<input type="checkbox"/> A	+\$0
<b>68R</b>	recograin rosewood	<input type="checkbox"/> A	+\$0
<b>69R</b>	recograin rosewood	<input type="checkbox"/> A	+\$0
<b>GOU</b>	natural walnut, flat cut, matte sheen	<input type="checkbox"/> A	+\$0

---

Matte Sheen Finishes (on Walnut)

*For walnut (W)*

---

<b>66G</b>	recograin wenge	<input type="checkbox"/> A	+\$0
<b>69G</b>	recograin wenge	<input type="checkbox"/> A	+\$0

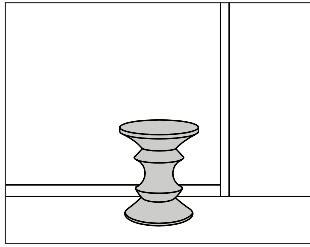
---

Step 5. Fire Retardancy

<b>133</b>	cal-133 required	<input type="checkbox"/> A	+\$98
<b>NOCAL</b>	no cal-133 required	<input type="checkbox"/> A	+\$0

# Eames® Walnut Stool

411  
412  
413

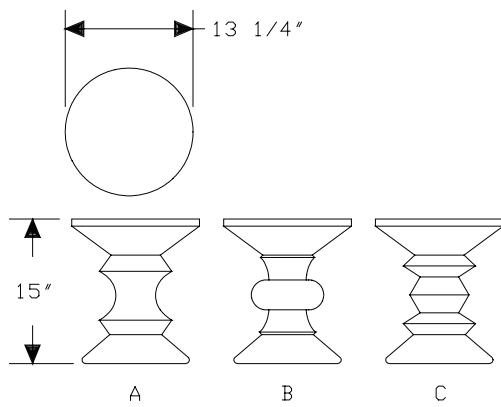


## Product Information

### Description

This solid walnut stool is available with 3 base shapes.

### Dimensions



## Specification Information

### Step 1.

41  A

### Step 2. Shape

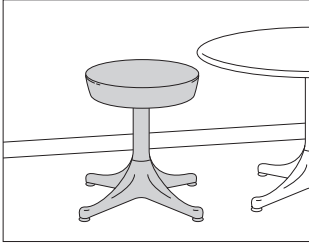
1 a shape  A

2 b shape  A

3 c shape  A

### Prices for Steps 1-2.

<b>411</b>	\$1144
<b>412</b>	\$1144
<b>413</b>	\$1144



**Product Information**

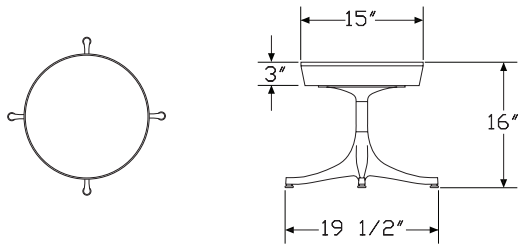
**Description**

This 16"-high stool has a 4-star, aluminum base with adjustable glides and a 3"-thick upholstered foam seat.

**Notes**

Customers Own Material (COM) requires 1 yard.

**Dimensions**



HermanMiller Collection-Stools

**Specification Information**

**Step 1.**

**PS16** A \$885

**Step 2. Base Finish**

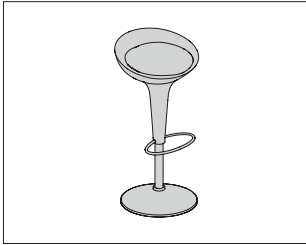
<b>91</b>	white	<span style="border: 1px solid black; padding: 0 2px;">A</span>	+\$0
<b>98</b>	studio white	<span style="border: 1px solid black; padding: 0 2px;">A</span>	+\$0
<b>BK</b>	black	<span style="border: 1px solid black; padding: 0 2px;">A</span>	+\$0
<b>L</b>	polished aluminum	<span style="border: 1px solid black; padding: 0 2px;">A</span>	+\$0

**Step 3. Fabric**

Price Category 1	+\$0
Price Category 2	+\$29
Price Category 3	+\$55
Price Category (Geiger) 3	+\$55
Price Category 4	+\$83
Price Category (Geiger) 4	+\$83
Price Category 5	+\$129
Price Category (Geiger) 5	+\$98
Price Category 6	+\$0
Price Category (Geiger) 6	+\$108
Price Category 7	+\$175
Price Category (Geiger) 7	+\$175
Price Category 8	+\$200
Price Category (Geiger) 9	+\$200
Price Category (Geiger) 10	+\$190
Price Category 11	+\$332
Price Category C	+\$57
Price Category F	+\$92
Price Category G	+\$119
Price Category H	+\$145
Price Category I	+\$170
Price Category J	+\$196
Price Category K	+\$221
Price Category L	+\$247
Price Category M	+\$272
Price Category N	+\$298
Price Category Q	+\$375
Price Category X	+\$968
Price Category Y	+\$1019

Al Bombo® Stool

MGB20.



**Product Information**

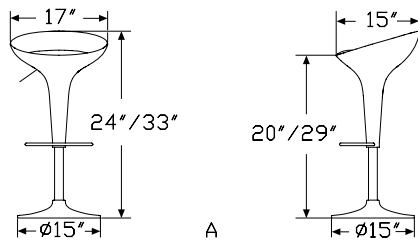
**Description**

This swivel bar stool has an adjustable height with gas piston. The base, frame, footrest and handle are stainless steel. The seat is polished die-cast aluminum.

**Notes**

Stool is flame retardant.

**Dimensions**



**Specification Information**

Step 1.

**MGB20.** [A]

Step 2. Height Adjustment

**A** adjustable height [A]

Prices for Steps 1-2.

**MGB20.A**

\$1559

Al Bombo® Kit

MGB90.

**Product Information**

Description

This care kit is recommended to maintain brilliance of aluminum, which is likely to dull overtime.

Notes

Care kit contains:

- 1 tube of abrasive paste (250 gr.)
- 1 tube of protection paste (250 gr.)
- 1 set of special cleaning paper

**Specification Information**

Step 1.

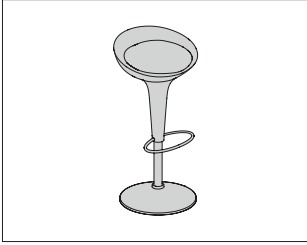
**MGB90.** A

\$168



Bombo® Stool

MGB21.

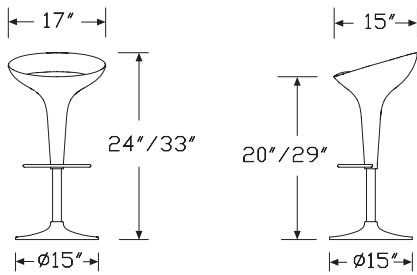


**Product Information**

Description

This swivel bar stool has an adjustable height with gas piston. The base is steel finished in chrome, and the seat is ABS.

Dimensions



**Specification Information**

Step 1.

**MGB21.**

Step 2. Height Adjustment

**A** adjustable height

Prices for Steps 1-2.

**MGB21.A** \$896

Step 3. Seat Finish

<b>YDF</b>	brown <input type="checkbox"/>	+\$0
<b>YDM</b>	grey anthracite <input type="checkbox"/>	+\$0
<b>YDT</b>	red <input type="checkbox"/>	+\$0
<b>YDW</b>	white <input type="checkbox"/>	+\$0

HermanMiller Collection—Stools

# Deja-Vu Stool

MGD20.



HermanMiller Collection—Stools

## Product Information

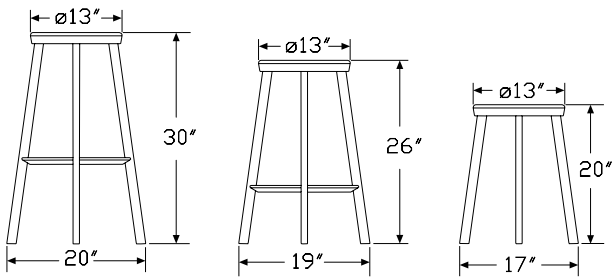
### Description

This bar stool is available in a high, medium, and low height. The seat and leg finishes are available in black, white, polished aluminum, red purple and sand beige.

### Notes

Black (YFB) finish is suitable for outdoor use.  
 Polished aluminum (YFD) finish is NOT suitable for outdoor use.

### Dimensions



## Specification Information

### Step 1.

**MGD20.**  A

### Step 2. Height

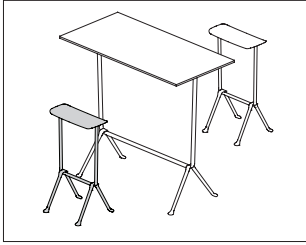
- L** low height  A
- M** medium height
- H** high height

### Prices for Steps 1-2.

<b>MGD20.L</b>	\$389
<b>M</b>	\$511
<b>H</b>	\$533

### Step 3. Seat/Leg Finish

		L	M	H
<b>YFB</b>	black <input type="checkbox"/> A	+\$0	0	0
<b>YFD</b>	polished aluminum <input type="checkbox"/> A	+\$101	102	92
<b>YLT</b>	red purple <input type="checkbox"/> A	+\$0	0	0
<b>YLV</b>	sand beige <input type="checkbox"/> A	+\$0	0	0

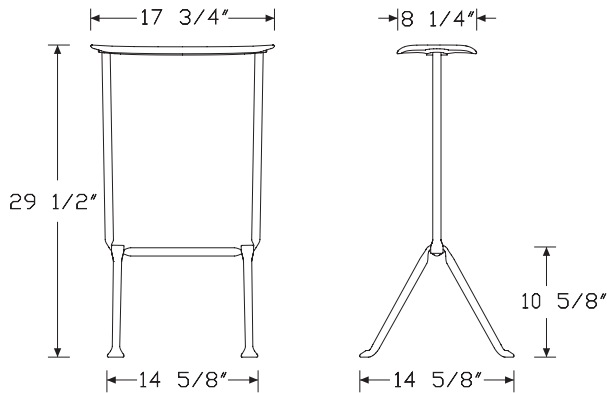


**Product Information**

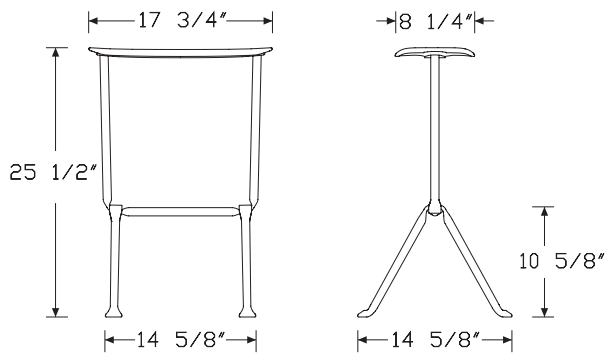
**Description**

This stool has a wrought iron frame available in a galvanized or painted grey anthracite finish. It is available in high and medium heights. The seat is polypropylene, beech plywood, fabric or leather available in several colors. Stool sold individually. Ships assembled.

**Dimensions**



High height



Medium height

**Specification Information**

**Step 1.**

**SD207X**

**Step 2. Height**

**H** high height

**M** medium height

**Step 3. Seat**

**F** fabric upholstery

**L** leather upholstery

**P** polypropylene

**W** plywood

**Prices for Steps 1-3.**

	<b>F</b>	<b>L</b>	<b>P</b>	<b>W</b>
<b>SD207X H</b>	\$1089	1169	649	719
<b>M</b>	\$1069	1149	629	699

**Step 4. Frame Finish**

**GLV** galvanized  +\$0

**YCB** grey anthracite  +\$0

**Step 5. Seat Finish**

*For polypropylene (P)*

**DKG** dark green  +\$0

**MTG** metallized grey  +\$0

**YCB** grey anthracite  +\$0

*For leather upholstery (L)*

**YNL** natural  +\$0

**BLK** black  +\$0

*For plywood (W)*

**YNC** natural beech  +\$0

**YNM** black beech  +\$0

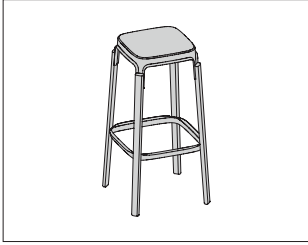
*For fabric upholstery (F)*

Price Category G +\$0

Price Category H +\$0

# Steelwood Stool

MGS20.

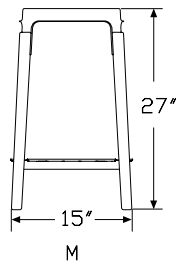
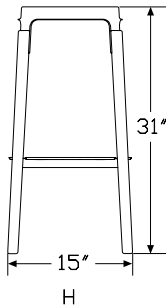
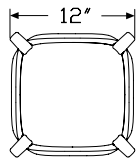
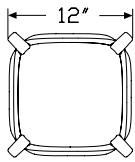


## Product Information

### Description

This bar stool is natural beech or oak and comes in high and medium height. The seat and footrest consist of steel plates painted in epoxy resin. The legs are solid beech or oak, available in natural or painted.

### Dimensions



HermanMiller Collection-Stools

## Specification Information

### Step 1.

**MGS20.**  A

### Step 2. Height

**M** medium height

**H** high height

### Prices for Steps 1-2.

<b>MGS20.M</b>	\$600
<b>H</b>	\$620

### Step 3. Leg/Seat/Footrest Finish

<b>YHH</b>	grey anthracite <input type="checkbox"/> A	+\$0
<b>YMB</b>	black <input type="checkbox"/> A	+\$0
<b>YMF</b>	white	+\$0
<b>YMK</b>	natural beech and black <input type="checkbox"/> A	+\$0
<b>YMP</b>	grey <input type="checkbox"/> A	+\$0
<b>YMM</b>	natural beech and white	+\$0
<b>YNP</b>	dark beech and black <input type="checkbox"/> A	+\$0
<b>YNQ</b>	natural oak and white <input type="checkbox"/> A	+\$80
<b>YNR</b>	natural oak and black	+\$80
<b>YNS</b>	natural oak and grey <input type="checkbox"/> A	+\$80
<b>YNT</b>	dark oak and grey anthracite <input type="checkbox"/> A	+\$80
<b>YWF</b>	walnut and black <input type="checkbox"/> A	+\$150



**Product Information**

**Description**

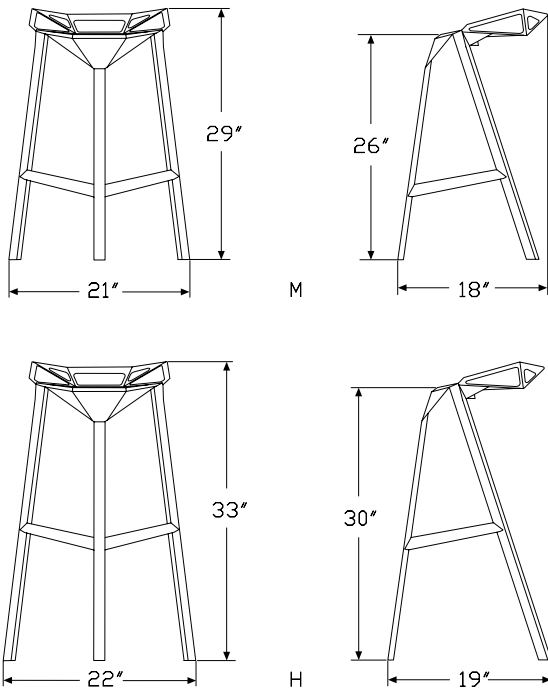
This bar stool comes in a high and medium height. The seat and leg finishes available are painted aluminum, polished aluminum and anodized aluminum black. Bar stools can stack up to 4 high. Package contains 2 bar stools.

**Notes**

Stool is flame retardant.

Polished aluminum (AL) finish is NOT suitable for outdoor use.

**Dimensions**



**Specification Information**

**Step 1.**

**MGE20.** [A]

**Step 2. Height**

**M** medium height [A]

**H** high height [A]

**Step 3. Seat/Leg Material**

**AM** painted aluminum [A]

**AB** anodized aluminum black [A]

**AL** polished aluminum [A]

**Prices for Steps 1-3.**

	AM	AB	AL
<b>MGE20.M</b>	\$965	1017	1545
<b>H</b>	\$1028	1071	1609

**Step 4. Seat/Leg Finish**

*For painted aluminum (AM)*

<b>YHM</b> red [A]			+\$0
<b>YHP</b> white [A]			+\$0
<b>HAA</b> ADAPTA grey [A]			+\$240
<b>HAB</b> ADAPTA white [A]			+\$240
<b>HAC</b> ADAPTA grey/green [A]			+\$240
<b>HAD</b> ADAPTA blue [A]			+\$240

*For anodized aluminum black (AB)*

<b>YHB</b> black [A]			+\$0
----------------------	--	--	------

*For anodized aluminum black (AB)*

<b>YHB</b> black [A]			+\$0
----------------------	--	--	------

# Stool\_One Cushion

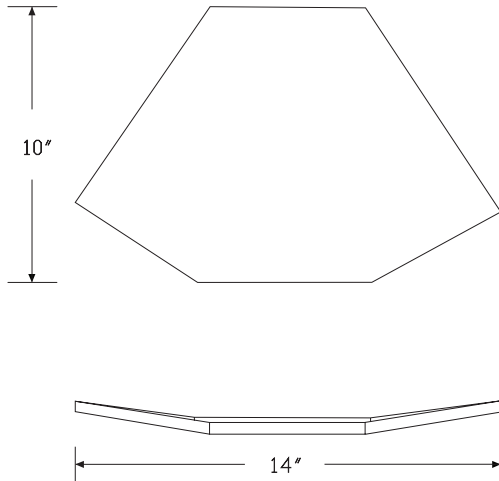
MGE91.



### Product Information

**Description**  
This cushion works on Stool\_One. Package contains 2 seat cushions.

### Dimensions



HermanMiller Collection-Stools

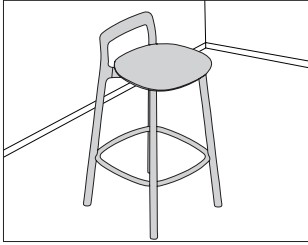
### Specification Information

**Step 1.**  
**MGE91.**  A \$317

**Step 2. Fabric**  
**YHC** black leather  A +\$257  
**YHK** natural leather  A +\$257

# Branca Stool

MGR20.

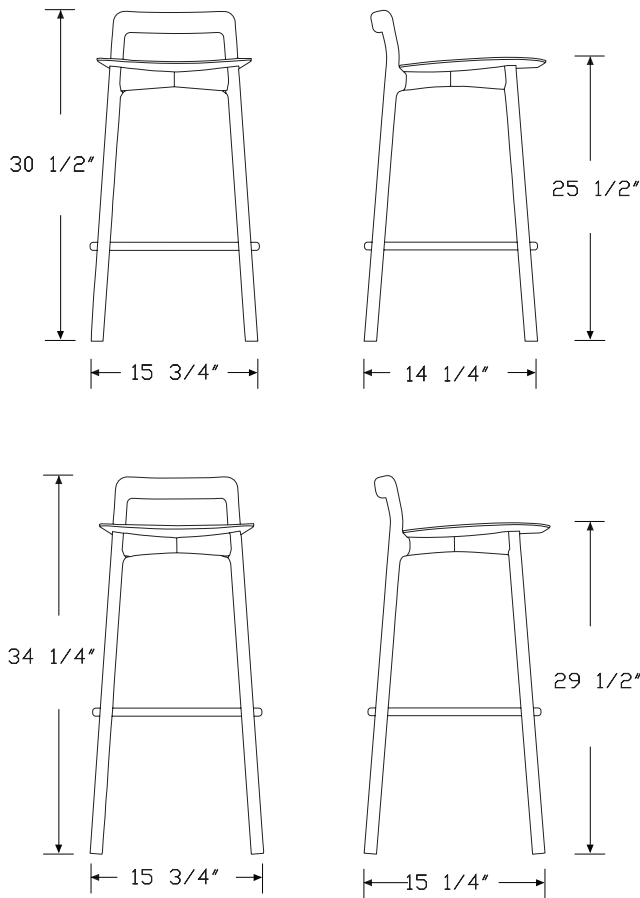


## Product Information

### Description

This stool has an ash frame and comes in 2 heights and 5 finishes. The foot ring is painted metal in black or white. Upholstered seat cushion is removable.

### Dimensions



## Specification Information

### Step 1.

**MGR20.**

### Step 2. Stool Height

**M** medium height

**H** high height

### Step 3. Upholstery

**N** no upholstery

**U** upholstered seat

### Prices for Steps 1-3.

	N	U
<b>MGR20.M</b>	\$1109	1659
<b>H</b>	\$1129	1679

### Step 4. Leg/Seat Finish

**YRC** chocolate/natural seat ash  +\$0

**YRD** green wax ash  +\$0

**YRF** natural wax ash  +\$0

**YRG** white anilin ash  +\$0

**YRH** black mat anilin ash  +\$0

### Step 5. Stool Ring Finish

**YBC** black  +\$0

**YDW** white  +\$0

### Step 6. Fabric

*For upholstered seat (U)*

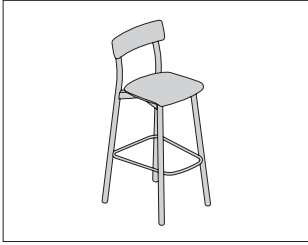
**YNV01** novum cocos  +\$0

**YNV03** novum moss  +\$0

**YNV05** novum pepper  +\$0

# Chiara Stool

MGCH03



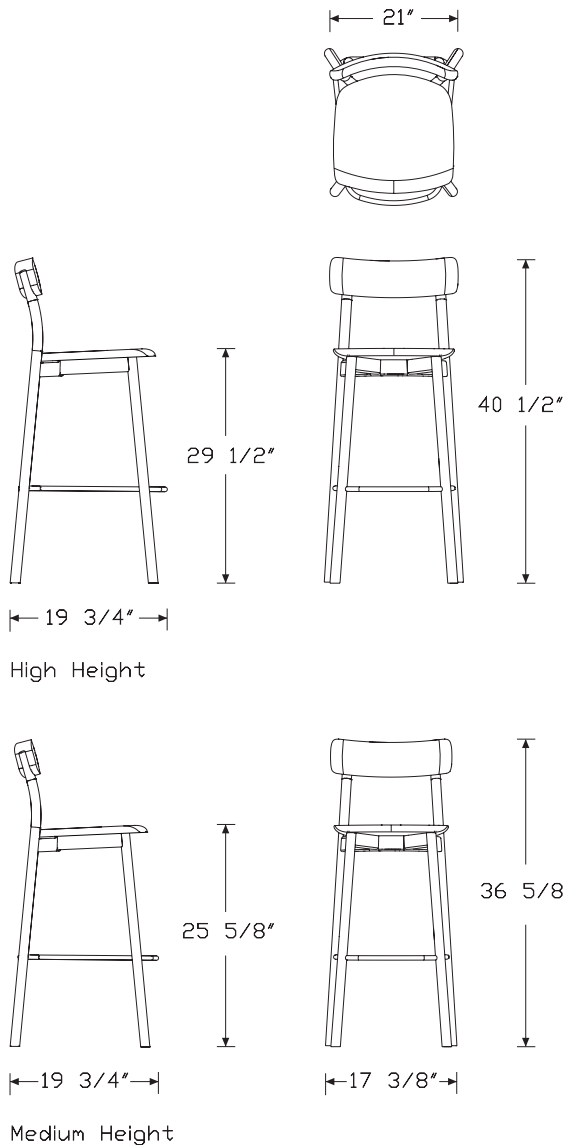
HermanMiller Collection-Stools

## Product Information

### Description

This solid wood stool is available in natural oak or ash in a selection of finishes. It is available in 2 heights with or without a nonremovable upholstered seat pad.

### Dimensions



## Specification Information

### Step 1.

**MGCH03.**  A

### Step 2. Height

**H** high height  A

**M** medium height  A

### Step 3. Arm Option

**N** no arms  A

### Step 4. Upholstery

**N** no upholstery  A

**U** upholstered seat  A

### Prices for Steps 1-4.

		N	U
<b>MGCH03. H</b>	<b>N</b>	\$1060	1560
	<b>M N</b>	\$1040	1540

### Step 5. Frame

**YSA** ash  A +\$0

**YFC** oak  A +\$250

### Step 6. Finish

#### For ash (YSA)

**YBC** black  A +\$0

**YBP** white  A +\$0

**YDC** blue  A +\$0

**YLW** yellow  A +\$0

**YMP** grey  A +\$0

**YNL** natural  A +\$0

**YRK** dark red  A +\$0

#### For oak (YFC)

**YNL** natural  A +\$0



# Chiaro Stool *continued*

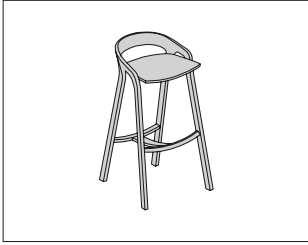
## Step 7. Fabric

*For upholstered seat (U)*

<b>YNV04</b>	novum lanoso	<input type="checkbox"/> A	+\$0
<b>YNV06</b>	novum sunset	<input type="checkbox"/> A	+\$0
<b>YNV07</b>	novum curry	<input type="checkbox"/> A	+\$0
<b>YNV08</b>	novum ebony	<input type="checkbox"/> A	+\$0
<b>YNV09</b>	novum azur	<input type="checkbox"/> A	+\$0
<b>YNV10</b>	novum coral	<input type="checkbox"/> A	+\$0
<b>YNV11</b>	novum kies	<input type="checkbox"/> A	+\$0
<b>YNV13</b>	novum magenta	<input type="checkbox"/> A	+\$0
<b>YNV14</b>	novum prune	<input type="checkbox"/> A	+\$0
<b>YNV15</b>	novum samoa	<input type="checkbox"/> A	+\$0
<b>YNV16</b>	novum snow	<input type="checkbox"/> A	+\$0
<b>YNV17</b>	novum amur	<input type="checkbox"/> A	+\$0

# She Said Stool

MGH03.



HermanMiller Collection-Stools

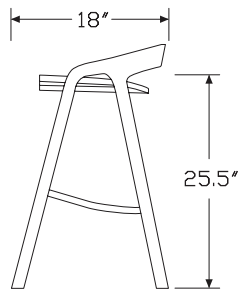
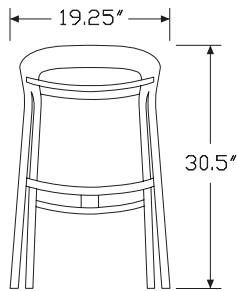
## Product Information

### Description

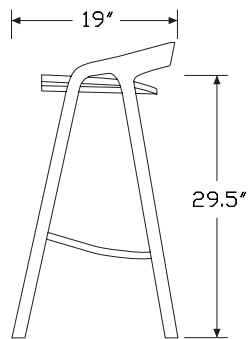
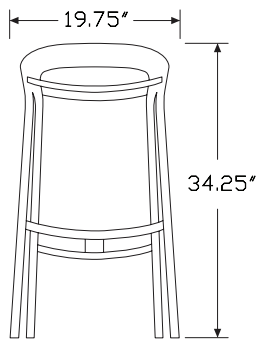
This solid wood stool is available in an ash frame. Seat is available with or without upholstery.

### Dimensions

#### Medium Height



#### High Height



## Specification Information

### Step 1.

**MGH03.**

### Step 2. Height

- M** medium height  A
- H** high height

### Step 3. Upholstery

- N** no upholstery
- U** upholstered seat

### Prices for Steps 1-3.

	N	U
<b>MGH03.M</b>	\$1475	2273
<b>H</b>	\$1495	2294

### Step 4. Frame Finish

- YQB** black anilin ash  A +\$0
- YRG** white anilin ash  A +\$0
- ZQ5** anilin ash neon blue +\$0
- YQC** natural ash +\$60

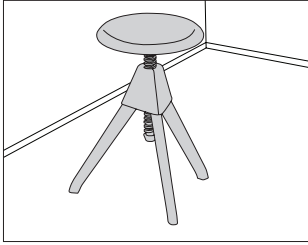
### Step 5. Fabric

*For upholstered seat (U)*

- YDG01** topia ebony +\$0
- YDG02** topia anthrazit +\$0
- YDG03** topia chrome +\$0
- YDG04** topia moon +\$0
- YDG05** topia snow +\$0
- YDG06** topia orion +\$0
- YDG07** topia azur +\$0
- YDG08** topia seashell +\$0
- YDG09** topia litchi +\$0
- YDG10** topia heart +\$0

# Tom & Jerry Stool

MGTJ20

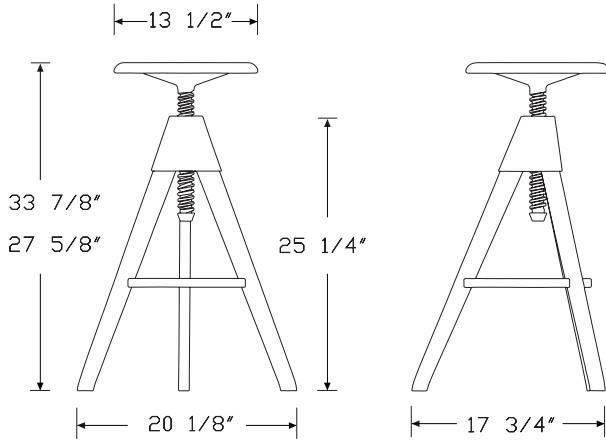


## Product Information

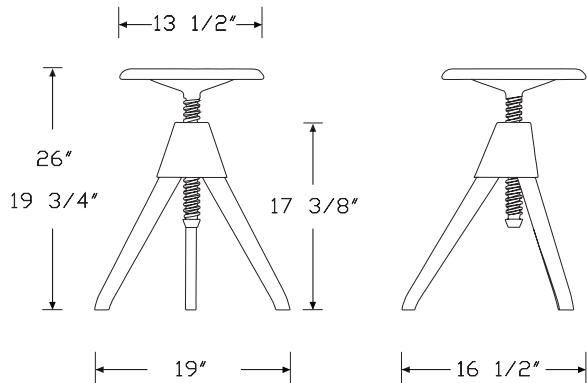
### Description

This swivel stool is height adjustable and has a solid beech frame and seat. Frame finish is natural or painted black. Joint and screw are glass filled polypropylene. Seat, joint and screw are available in a range of colors. Available in medium and high heights.

### Dimensions



Tom Stool



Jerry Stool

## Specification Information

### Step 1.

**MGTJ20.**

### Step 2. Height

- J medium height  A
- T high height

### Prices for Steps 1-2.

<b>MGTJ20. J</b>	\$620
<b>T</b>	\$800

### Step 3. Frame Finish

<b>YNL</b> natural	+\$0
<b>YNG</b> black <input type="checkbox"/> A	+\$20

### Step 4. Joint and Screw Finish

#### For natural (YNL)

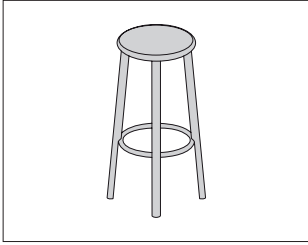
<b>YBM</b> orange <input type="checkbox"/> A	+\$0
<b>YBP</b> natural seat, white joint	+\$0
<b>YBC</b> natural seat, black joint	+\$0
<b>YGK</b> red	+\$0
<b>YBH</b> green	+\$0
<b>YLW</b> yellow	+\$0
<b>YPC</b> white	+\$0
<b>YPD</b> black	+\$0

#### For black (YNG)

<b>YBC</b> black <input type="checkbox"/> A	+\$0
---	------

# Solo Stool

MGZ02.

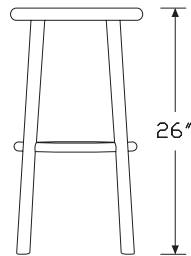
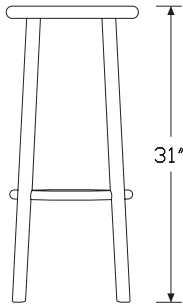
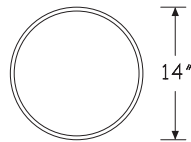
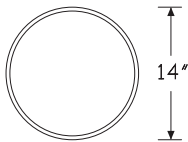


## Product Information

### Description

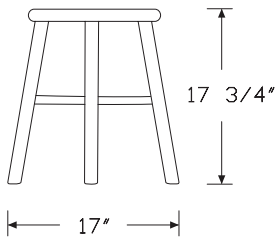
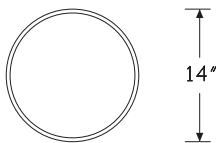
This solid wood stool is available in an ash or oak frame.

### Dimensions



High height

Medium height



Low height

HermanMiller Collection—Stools

## Specification Information

### Step 1.

**MGZ02.**  A

### Step 2. Height

**L** low height  A

**M** medium height  A

**H** high height  A

### Step 3. Upholstery

#### For low height (L)

**N** no upholstery

#### For medium height (M) or high height (H)

**N** no upholstery  A

**S** upholstered seat  A

### Prices for Steps 1-3.

	N	S
<b>MGZ02.L</b>	\$730	—
<b>M</b>	\$730	930
<b>H</b>	\$730	930

### Step 4. Frame Finish

<b>ZQ1</b> dark red anilin ash <input type="checkbox"/> A	+\$0
<b>ZQA</b> anilin ash blue/black <input type="checkbox"/> A	+\$0
<b>ZQB</b> anilin ash white <input type="checkbox"/> A	+\$0
<b>ZQC</b> anilin ash neon blue <input type="checkbox"/> A	+\$0
<b>ZQM</b> anilin ash turquoise <input type="checkbox"/> A	+\$0
<b>ZQS</b> natural ash <input type="checkbox"/> A	+\$0
<b>ZQU</b> natural oak waxed <input type="checkbox"/> A	+\$150

### Step 5. Fabric

#### For upholstered seat (S)

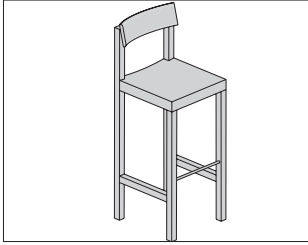
<b>YDD13</b> white <input type="checkbox"/> A	+\$0
<b>YDD14</b> red <input type="checkbox"/> A	+\$0
<b>YDD16</b> dark grey <input type="checkbox"/> A	+\$0
<b>YDD17</b> black blue <input type="checkbox"/> A	+\$0
<b>YDD19</b> green <input type="checkbox"/> A	+\$0

### Step 6. Stool Ring Finish

<b>ZQ8</b> black blue <input type="checkbox"/> A	+\$0
<b>ZQ9</b> grey <input type="checkbox"/> A	+\$0
<b>ZQL</b> white <input type="checkbox"/> A	+\$0
<b>ZQQ</b> red <input type="checkbox"/> A	+\$0

Primo Stool

MC14S.

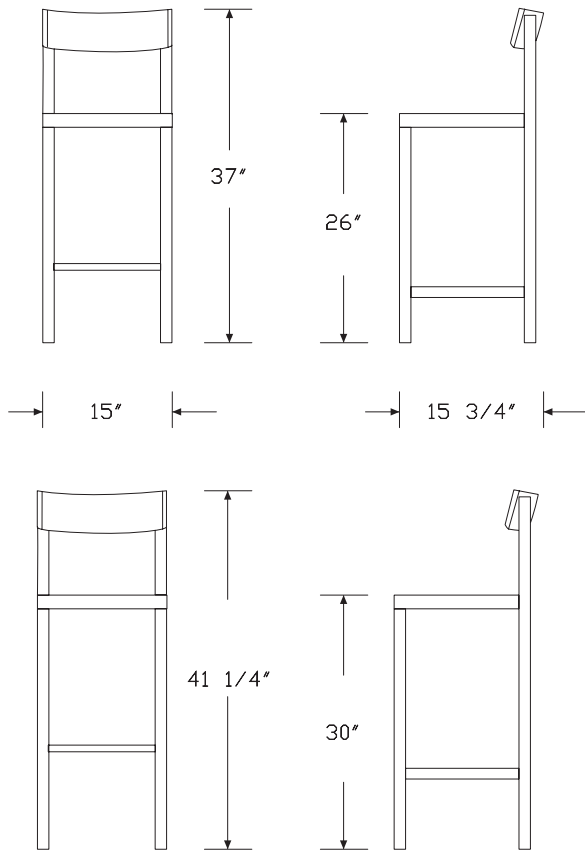


**Product Information**

**Description**

This solid wood stool has a beech or oak frame in medium and high heights. A nonremovable upholstered seat pad is available on the oak frame.

**Dimensions**



**Specification Information**

**Step 1.**

**MC14S.** [A]

**Step 2. Stool Height**

**H** high height [A]

**M** medium height [A]

**Step 3. Upholstery**

**N** no upholstery

**U** upholstered seat [A]

**Prices for Steps 1-3.**

	<b>N</b>	<b>U</b>
<b>MC14S.H</b>	\$850	1490
<b>M</b>	\$830	1470

**Step 4. Frame Finish**

*For no upholstery (N)*

**YNC** natural beech +\$0

**YRB** black beech +\$0

*For upholstered seat (U)*

**YFC** natural oak [A] +\$640

**Step 5. Fabric**

*For upholstered seat (U)*

**SL508** sweet leather 508 [A] +\$0

**SL510** sweet leather 510 [A] +\$0

**SL512** sweet leather 512 [A] +\$0

**SLN41** sweet leather N41 [A] +\$0

**YLJ** dani acquario cuoio leather [A] +\$180

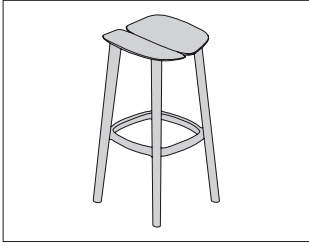
**YLK** dani acquario marrone 6030 leather [A] +\$180

**YLN** dani acquario t. moro leather [A] +\$180

**YLP** dani acquario anthracite leather [A] +\$180

# Osso Stool

MGJ01.



### Product Information

#### Description

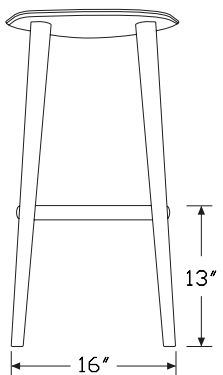
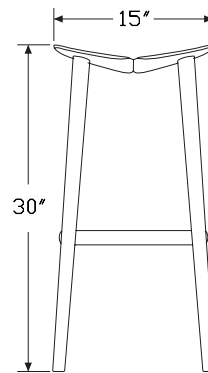
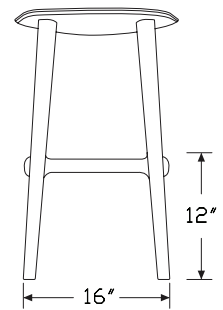
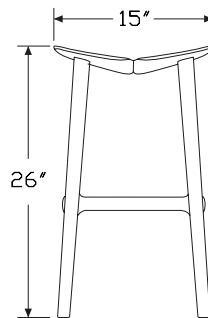
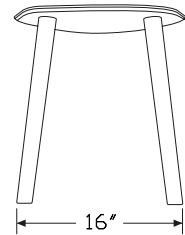
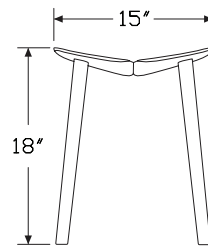
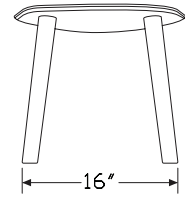
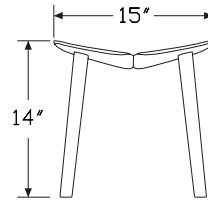
This solid wood stool is available in an ash or oak frame.

#### Notes

Upholstery not shown.

HermanMiller Collection-Stools

### Dimensions



**Specification Information**

Step 1.

**MGJ01.**  A

Step 2. Height

- 14** 14" high  A
- 18** 18" high  A
- 26** 26" high  A
- 30** 30" high  A

Step 3. Upholstery

- N** no upholstery  A
- S** upholstered seat  A

Prices for Steps 1-3.

	N	S
<b>MGJ01. 14</b>	\$850	1450
<b>18</b>	\$875	1475
<b>26</b>	\$1150	1750
<b>30</b>	\$1175	1775

Step 4. Frame Finish

- YSB** black wax ash  A +\$0
- YSC** blue wax ash  A +\$0
- YSD** green wax ash  A +\$0
- YSF** dark grey wax ash  A +\$0
- YSG** natural wax ash  A +\$0
- YSH** pink wax ash  A +\$0
- YSJ** white wax ash  A +\$0
- YSL** natural wax oak  A +\$150

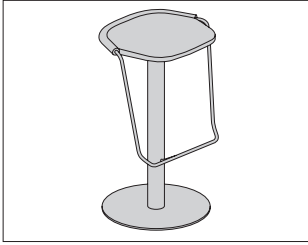
Step 5. Fabric

*For upholstered seat (S)*

- YGR01** gravel 139  A +\$0
- YGR02** gravel 149  A +\$0
- YGR03** gravel 179  A +\$0

# Uncino Stool

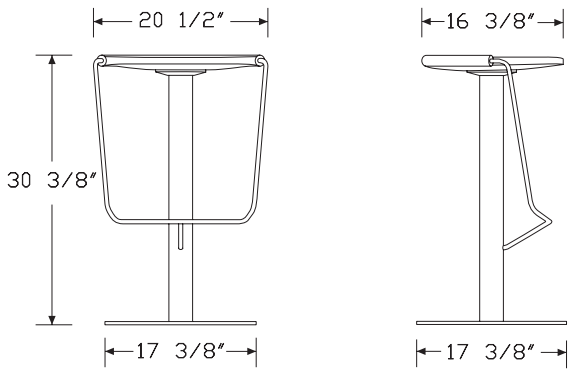
MC9S.



## Product Information

**Description**  
This wood stool is available with an ash or oak seat and wire footrest.

## Dimensions



## Specification Information

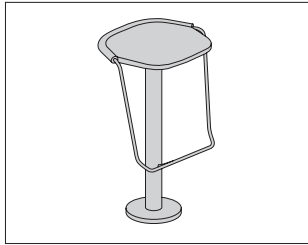
<b>Step 1.</b>		
<b>MC9S.</b>	<b>A</b>	\$1800
<b>Step 2. Finish</b>		
<b>YQB</b>	black anilin ash <b>A</b>	+\$0
<b>YQC</b>	natural ash <b>A</b>	+\$0
<b>YFC</b>	natural oak <b>A</b>	+\$180

HermanMiller Collection-Stools



# Uncino Stool, Fixed

MC9F.

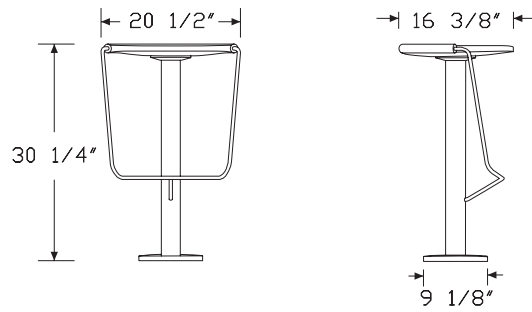


### Product Information

#### Description

This solid wood stool is available with an ash or oak seat and wire footrest. Stool is to be fixed to the floor.

#### Dimensions



### Specification Information

#### Step 1.

**MC9F.** A \$1900

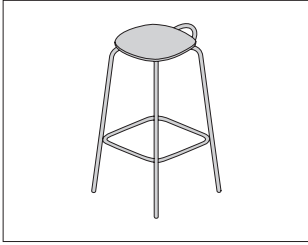
#### Step 2. Finish

<b>YQC</b>	natural ash	<span style="border: 1px solid black; padding: 0 2px;">A</span>	+\$0
<b>YQB</b>	black anilin ash	<span style="border: 1px solid black; padding: 0 2px;">A</span>	+\$0
<b>YFC</b>	natural oak	<span style="border: 1px solid black; padding: 0 2px;">A</span>	+\$180

HermanMiller Collection—Stools

# Forcina Stool

MC16S.

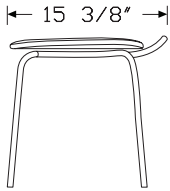


## Product Information

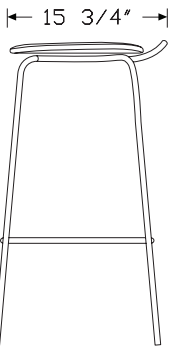
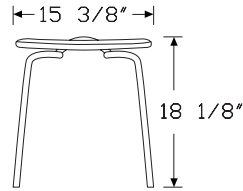
### Description

This stool has an oak or ash seat. Low or high stool stacks up to 3 high. Ships assembled.

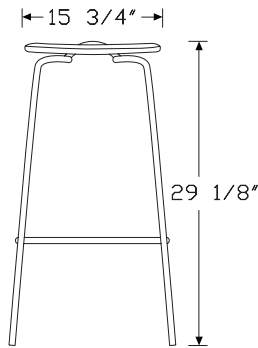
### Dimensions



Low Stool



Stool



## Specification Information

### Step 1.

**MC16S.**  A

### Step 2. Height

<b>H</b>	high height <input type="checkbox"/> A	+\$1025
<b>L</b>	low height <input type="checkbox"/> A	+\$825

### Step 3. Frame Finish

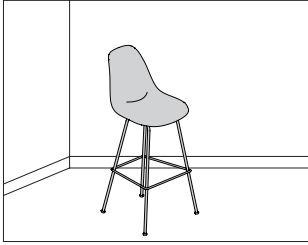
<b>A</b>	black stainless steel <input type="checkbox"/> A	+\$0
<b>N</b>	brushed stainless steel <input type="checkbox"/> A	+\$200

### Step 4. Seat and Back Finish

<b>YQB</b>	black anilin ash <input type="checkbox"/> A	+\$0
<b>YQC</b>	natural ash <input type="checkbox"/> A	+\$0
<b>YFC</b>	natural oak <input type="checkbox"/> A	+\$75

# Eames® Molded Fiberglass Stool

DFHBX.  
DFHCX.

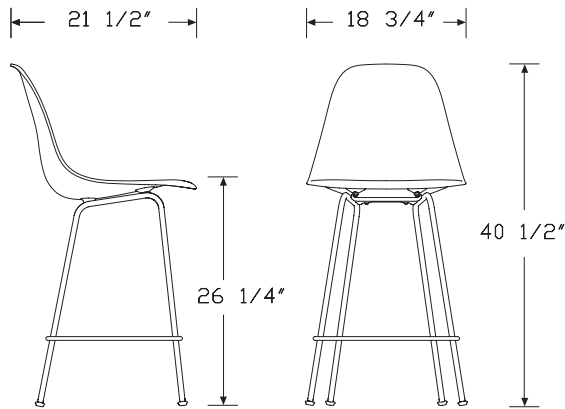


## Product Information

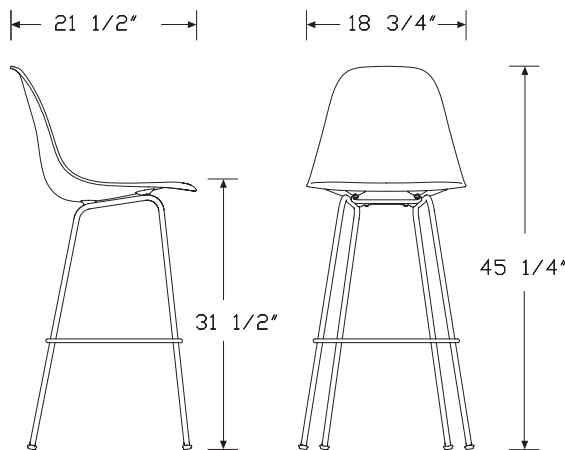
### Description

This stool has a single-piece nonupholstered shell with waterfall edges and molded fiberglass seat and flexible back. Standard glides can be ordered with or without felt. Ships assembled.

### Dimensions



counter height



bar height

## Specification Information

### Step 1.

**DFH**

### Step 2. Base Height

**CX.** counter height stool

**BX.** bar height stool

### Prices for Steps 1-2.

<b>DFHCX.</b>	\$839
<b>DFHBX.</b>	\$859

### Step 3. Base Finish

<b>91</b>	white	+\$0
<b>BK</b>	black	+\$0
<b>47</b>	trivalent chrome	+\$40

### Step 4. Seat/Back Finish

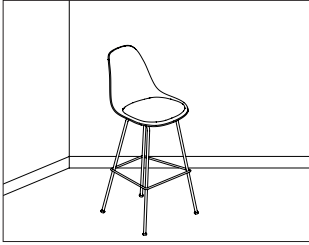
<b>111</b>	parchment	+\$0
<b>112</b>	elephant hide grey	+\$0
<b>113</b>	ultramarine blue	+\$0
<b>114</b>	red orange	+\$0
<b>115</b>	lemon yellow	+\$0
<b>116</b>	green	+\$0
<b>117</b>	navy blue	+\$0
<b>118</b>	black	+\$0
<b>119</b>	seal brown	+\$0

### Step 5. Glide Option

<b>E8</b>	standard glide	+\$0
<b>E9</b>	standard glide with felt bottom	+\$25

Eames® Upholstered Molded  
Fiberglass Stool

DFHBX.  
DFHCX.



**Product Information**

**Description**

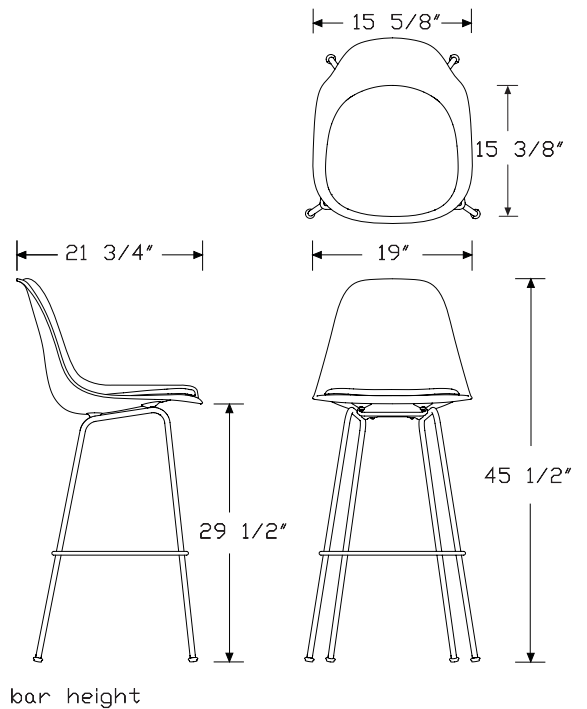
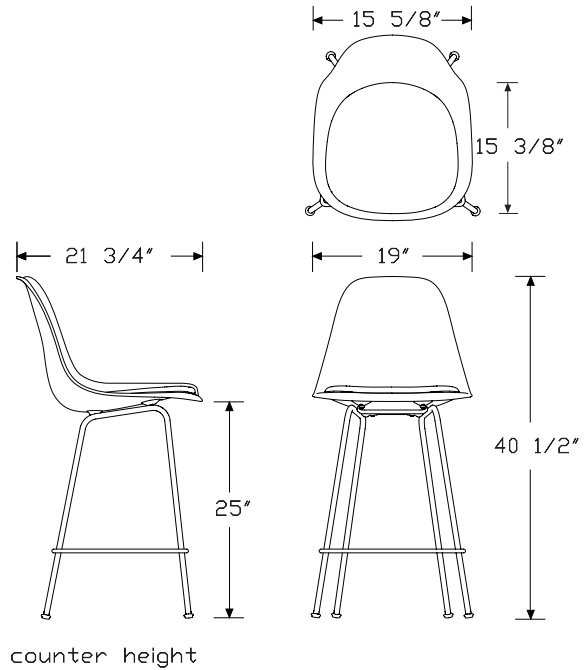
This stool has a molded 1-piece construction with waterfall edges, molded fiberglass seat and flexible back. It has a fully upholstered shell or an attached upholstered seat pad. Seat pad is easily removable for cleaning or reupholstery. Standard glides can be ordered with or without felt. Ships assembled.

**Notes**

Seat pad is upholstered with textiles or leather for indoor use only.  
For upholstered seat pad (P), Customer's Own Material (COM) requires 1 yard. Customer's Own Leather (COL) requires 9 square feet. See Order Information in appendices.

HermanMiller Collection—Stools

**Dimensions**



# Eames® Upholstered Molded Fiberglass Stool *continued*

## Specification Information

### Step 1.

**DFH**  A

### Step 2. Base Height

**CX.** counter height  A

**BX.** bar height  A

### Step 3. Upholstery

**U** fully upholstered shell  A

**P** upholstered seat pad  A

### Prices for Steps 1-3.

<b>DFHCX. U</b>	\$1014
<b>P</b>	\$909

<b>DFHBX. U</b>	\$1034
<b>P</b>	\$929

### Step 4. Base Finish

**91** white  A +\$0

**BK** black  A +\$0

**47** trivalent chrome  A +\$40

### Step 5. Seat/Back Finish

**111** parchment  A +\$0

**112** elephant hide grey  A +\$0

**113** ultramarine blue  A +\$0

**114** red orange  A +\$0

**115** lemon yellow  A +\$0

**116** green  A +\$0

**117** navy blue  A +\$0

**118** black  A +\$0

**119** seal brown  A +\$0

### Step 6. Edge Finish

#### *For fully upholstered shell (U)*

**111** parchment  A +\$0

**BK** black  A +\$0

**ZF** white  A +\$0

### Step 7. Upholstery

#### *For fully upholstered shell (U)*

Price Category 2 +\$25

Price Category 5 +\$59

Price Category B +\$45

Price Category G +\$212

Price Category H +\$212

Price Category K +\$380

#### *For upholstered seat pad (P)*

Price Category 1 +\$0

Price Category 2 +\$25

Price Category 4 +\$33

Price Category 5 +\$59

Price Category 7 +\$111

Price Category 8 +\$146

Price Category 9 +\$209

Price Category 11 +\$254

Price Category G +\$170

Price Category H +\$210

Price Category K +\$380

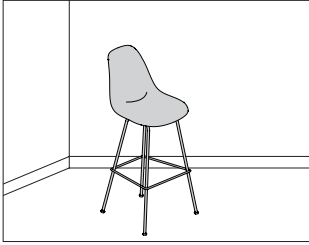
### Step 8. Glide Option

**E8** standard glide  A +\$0

**E9** standard glide with felt bottom  A +\$25

# Eames® Molded Plastic Stool

DSHBX.  
DSHCX.



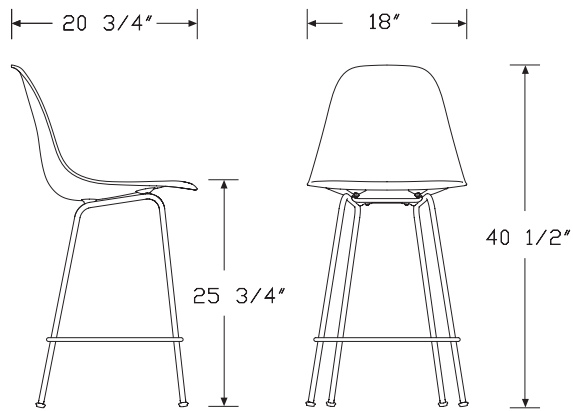
HermanMiller Collection—Stools

## Product Information

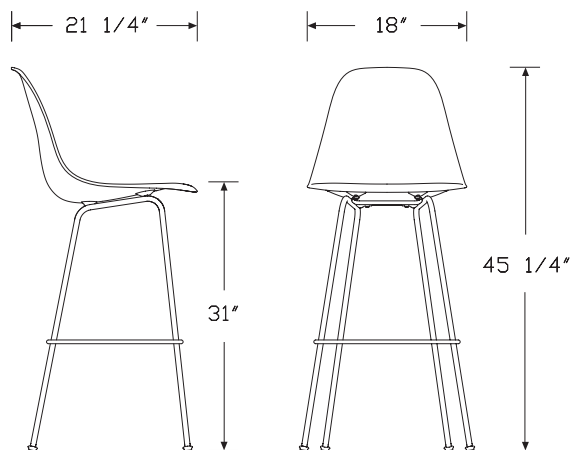
### Description

This stool has a single-piece nonupholstered shell with waterfall edges and molded plastic seat and flexible back. Standard glides can be ordered with or without felt. Ships assembled.

### Dimensions



counter height



bar height

## Specification Information

### Step 1.

#### DSH

### Step 2. Base Height

**CX.** counter height stool

**BX.** bar height stool

### Prices for Steps 1-2.

<b>DSHCX.</b>	\$559
<b>DSHBX.</b>	\$579

### Step 3. Base Finish

<b>91</b>	white	+\$0
<b>BK</b>	black	+\$0
<b>47</b>	trivalent chrome	+\$40

### Step 4. Seat/Back Finish

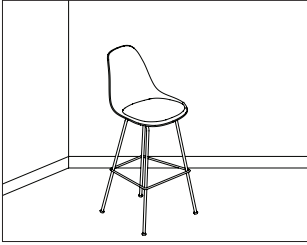
<b>4T</b>	aqua sky	+\$0
<b>5B</b>	java	+\$0
<b>9J</b>	sparrow	+\$0
<b>BLE</b>	blue ice	+\$0
<b>BLH</b>	blush	+\$0
<b>CHL</b>	charcoal	+\$0
<b>KGR</b>	kelly green	+\$0
<b>PBL</b>	peacock blue	+\$0
<b>PYW</b>	pale yellow	+\$0
<b>STN</b>	stone	+\$0
<b>ZA</b>	black	+\$0
<b>ZE</b>	red orange	+\$0
<b>ZF</b>	white	+\$0
<b>ZM</b>	alpine	+\$0

### Step 5. Glide Option

<b>E8</b>	standard glide	+\$0
<b>E9</b>	standard glide with felt bottom	+\$25

Eames® Upholstered Molded Plastic Stool

DSHBX.  
DSHCX.



**Product Information**

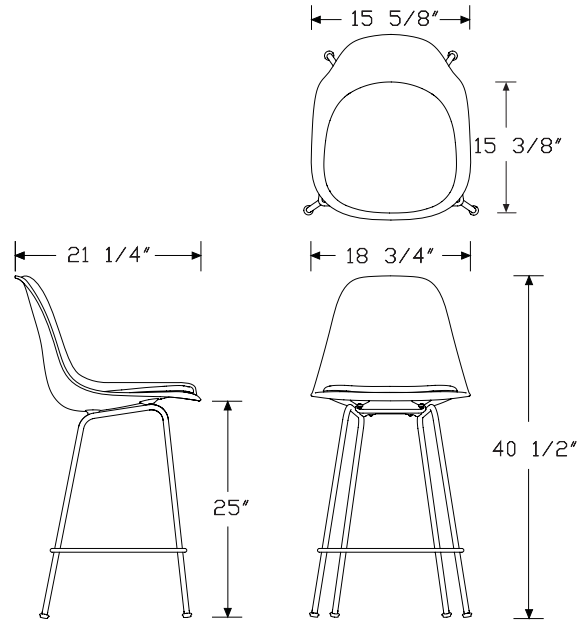
**Description**

This stool has a molded 1-piece construction with waterfall edges, molded plastic seat and flexible back. It has a fully upholstered shell or an attached upholstered seat pad. Seat pad is easily removable for cleaning or replacement. Standard glides can be ordered with or without felt. Ships assembled.

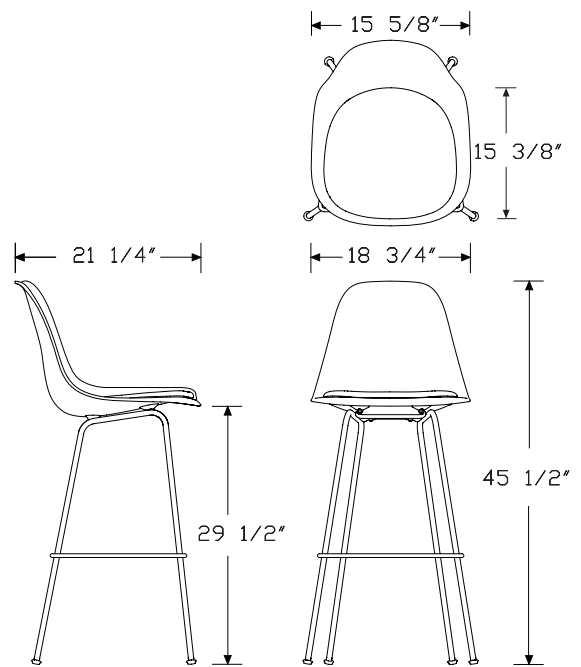
**Notes**

Seat pad is upholstered with textiles or leather for indoor use only.  
For upholstered seat pad (P), Customer's Own Material (COM) requires 1 yard. Customer's Own Leather (COL) requires 9 square feet. See Order Information in appendices.

**Dimensions**



Counter Height



Bar Height

# Eames® Upholstered Molded Plastic Stool *continued*

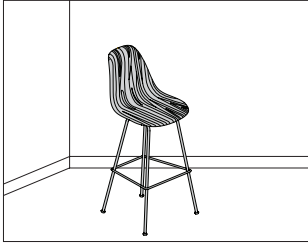
Specification Information		
Step 1.		
<b>DSH</b>	<input type="checkbox"/> A	
Step 2. Base Height		
<b>CX.</b>	counter height	<input type="checkbox"/> A
<b>BX.</b>	bar height	<input type="checkbox"/> A
Step 3. Upholstery		
<b>U</b>	fully upholstered shell	<input type="checkbox"/> A
<b>P</b>	upholstered seat pad	<input type="checkbox"/> A
Prices for Steps 1-3.		
<b>DSHCX.U</b>		\$771
<b>P</b>		\$629
<b>DSHBX.U</b>		\$791
<b>P</b>		\$649
Step 4. Base Finish		
<b>91</b>	white	<input type="checkbox"/> A +\$0
<b>BK</b>	black	<input type="checkbox"/> A +\$0
<b>47</b>	trivalent chrome	<input type="checkbox"/> A +\$40
Step 5. Seat/Back Finish		
<b>4T</b>	aqua sky	<input type="checkbox"/> A +\$0
<b>5B</b>	java	<input type="checkbox"/> A +\$0
<b>9J</b>	sparrow	<input type="checkbox"/> A +\$0
<b>BLE</b>	blue ice	<input type="checkbox"/> A +\$0
<b>BLH</b>	blush	<input type="checkbox"/> A +\$0
<b>CHL</b>	charcoal	<input type="checkbox"/> A +\$0
<b>KGR</b>	kelly green	<input type="checkbox"/> A +\$0
<b>PBL</b>	peacock blue	<input type="checkbox"/> A +\$0
<b>PYW</b>	pale yellow	<input type="checkbox"/> A +\$0
<b>STN</b>	stone	<input type="checkbox"/> A +\$0
<b>ZA</b>	black	<input type="checkbox"/> A +\$0
<b>ZE</b>	red orange	<input type="checkbox"/> A +\$0
<b>ZF</b>	white	<input type="checkbox"/> A +\$0
<b>ZM</b>	alpine	<input type="checkbox"/> A +\$0
Step 6. Edge Finish		
<i>For fully upholstered shell (U)</i>		
<b>111</b>	parchment	<input type="checkbox"/> A +\$0
<b>BK</b>	black	<input type="checkbox"/> A +\$0
<b>ZF</b>	white	<input type="checkbox"/> A +\$0

Step 7. Upholstery	
<i>For fully upholstered shell (U)</i>	
Price Category 2	+\$25
Price Category 5	+\$59
Price Category B	+\$45
Price Category G	+\$0
Price Category H	+\$212
Price Category K	+\$380
<i>For upholstered seat pad (P)</i>	
Price Category 1	+\$0
Price Category 2	+\$25
Price Category 4	+\$33
Price Category 5	+\$59
Price Category 7	+\$111
Price Category 8	+\$146
Price Category 9	+\$209
Price Category 11	+\$254
Price Category G	+\$170
Price Category H	+\$210
Price Category K	+\$380
Step 8. Glide Option	
<b>E8</b>	standard glide <input type="checkbox"/> A +\$0
<b>E9</b>	standard glide with felt bottom <input type="checkbox"/> A +\$25



Eames® Molded Wood Stool

DWHBX.  
DWHCX.

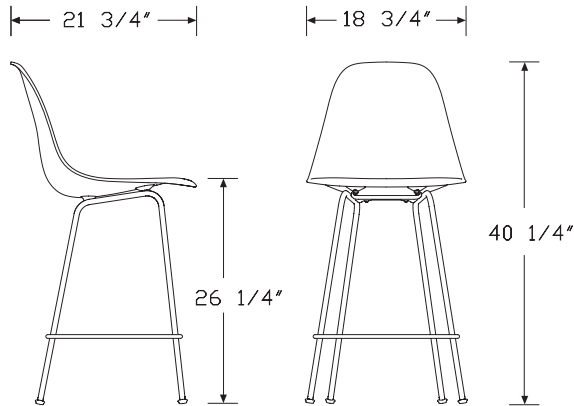


**Product Information**

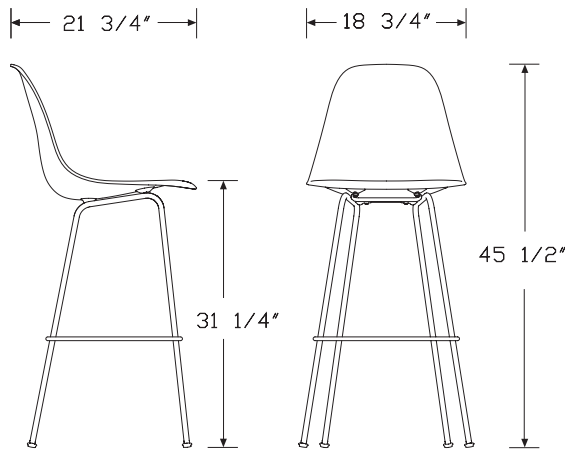
**Description**

This stool has a single-piece molded construction with waterfall edges, and is 0.260" thick. Base is attached by nonremovable wooden shock mounts. Standard glides can be ordered with or without felt. Ships assembled.

**Dimensions**



counter height



bar height

**Specification Information**

**Step 1.**

**DWH**

**Step 2. Base Height**

**CX.** counter height stool

**BX.** bar height stool

**Prices for Steps 1-2.**

**DWHCX.** \$1149

**DWHBX.** \$1169

**Step 3. Base Finish**

**91** white +\$0

**BK** black +\$0

**47** trivalent chrome +\$40

**Step 4. Seat/Back Finish**

**OU** walnut +\$0

**A2** white ash +\$116

**EN** ebony +\$116

**9N** santos palisander +\$289

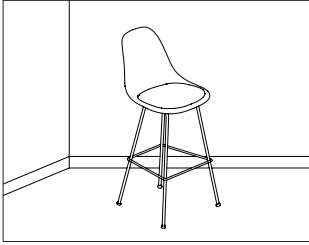
**Step 5. Glide Option**

**E8** standard glide +\$0

**E9** standard glide with felt bottom +\$25

Eames® Upholstered Molded Wood Stool

DWHBX.  
DWHCX.



**Product Information**

**Description**

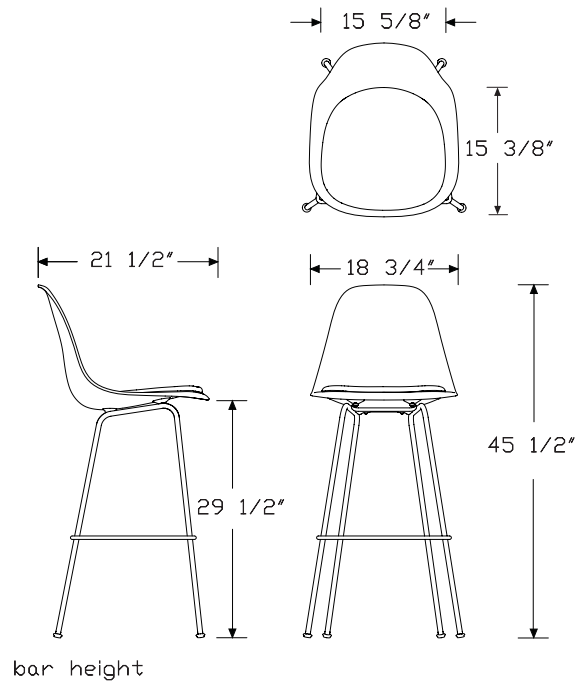
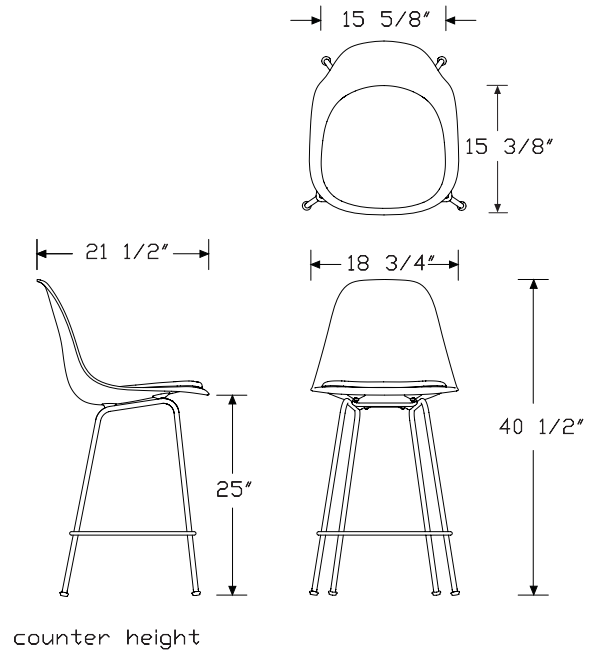
This stool has a molded 1-piece construction with waterfall edges, and is 0.260" thick. It comes with an attached upholstered seat pad that is easily removable for cleaning or reupholstery. Base is attached by nonremovable wooden shock mounts. Base options include bar and counter heights. Standard glides can be ordered with or without felt. Ships assembled.

**Notes**

Seat pad is upholstered with textiles or leather for indoor use only. Customer's Own Material (COM) requires 1 yard. Customer's Own Leather (COL) requires 9 square feet. See Order Information in appendices.

HermanMiller Collection—Stools

**Dimensions**



# Eames® Upholstered Molded Wood Stool *continued*

Specification Information		
Step 1.		
<b>DWH</b>	<input type="checkbox"/> A	
Step 2. Base Height		
<b>BX.</b>	bar height <input type="checkbox"/> A	
<b>CX.</b>	counter height <input type="checkbox"/> A	
Step 3. Upholstery		
<b>P</b>	upholstered seat pad <input type="checkbox"/> A	
Prices for Steps 1-3.		
<b>DWHBX.P</b>		\$1239
<b>DWHCX.P</b>		\$1219
Step 4. Base Finish		
<b>91</b>	white <input type="checkbox"/> A	+\$0
<b>BK</b>	black <input type="checkbox"/> A	+\$0
<b>47</b>	trivalent chrome <input type="checkbox"/> A	+\$40
Step 5. Seat/Back Finish		
<b>OU</b>	walnut <input type="checkbox"/> A	+\$0
<b>A2</b>	white ash <input type="checkbox"/> A	+\$116
<b>EN</b>	ebony <input type="checkbox"/> A	+\$116
<b>9N</b>	santos palisander <input type="checkbox"/> A	+\$289
Step 6. Upholstery		
Price Category 1		+\$0
Price Category 2		+\$25
Price Category 4		+\$33
Price Category 5		+\$59
Price Category 7		+\$111
Price Category 8		+\$146
Price Category 9		+\$209
Price Category 11		+\$254
Price Category G		+\$170
Price Category H		+\$210
Price Category K		+\$380
Step 7. Glide Option		
<b>E8</b>	standard glide <input type="checkbox"/> A	+\$0
<b>E9</b>	standard glide with felt bottom <input type="checkbox"/> A	+\$25

# Eames® Wire Stool

DKHBX.  
DKHCX.



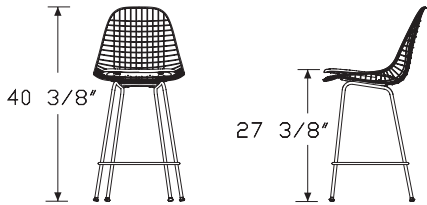
HermanMiller Collection—Stools

## Product Information

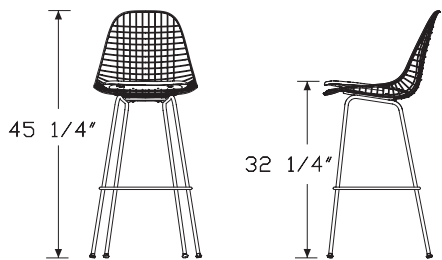
**Description**  
This stool has a wire shell, a wire shell with upholstered seat and back, or a wire shell with upholstered seat and wire back. It comes in bar height or counter height. Wire shell and metal bases are available in trivalent chrome, white or black. Stool comes with standard indoor glides with or without felt. Suitable for indoor use only.

**Notes**  
Customer's Own Material (COM) requires 1 yard. See Order Information in appendices.

## Dimensions



Counter Height, Upholstered Seat



Bar Height, Upholstered Seat

## Specification Information

### Step 1.

**DKH**  A

### Step 2. Base Height

**BX.** bar height stool  A

**CX.** counter height stool  A

### Step 3. Seat/Back Material

**0** wire shell

**5** wire shell/upholstered seat/wire back

### Prices for Steps 1-3.

<b>DKHBX.0</b>	\$1075
<b>5</b>	\$1325

<b>DKHCX.0</b>	\$1055
<b>5</b>	\$1305

### Step 4. Seat Frame/Leg Finish

<b>47</b> trivalent chrome	+ \$40
<b>91</b> white	+ \$0
<b>BK</b> black	+ \$0

### Step 5. Upholstery

*For wire shell/upholstered seat/wire back (5)*

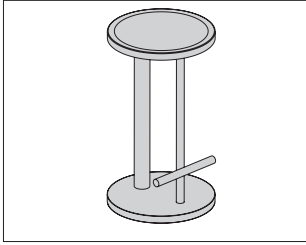
Price Category 1 <input type="checkbox"/> A	+ \$0
Price Category 2	+ \$25
Price Category 4	+ \$33
Price Category 5	+ \$59
Price Category 9	+ \$209
Price Category 11	+ \$254
Price Category G	+ \$170
Price Category H	+ \$210
Price Category K	+ \$380

### Step 6. Glide Option

<b>E8</b> standard glide <input type="checkbox"/> A	+ \$0
<b>E9</b> standard glide with felt bottom <input type="checkbox"/> A	+ \$25

# Spot Stool

MAS18  
MAS24  
MAS30

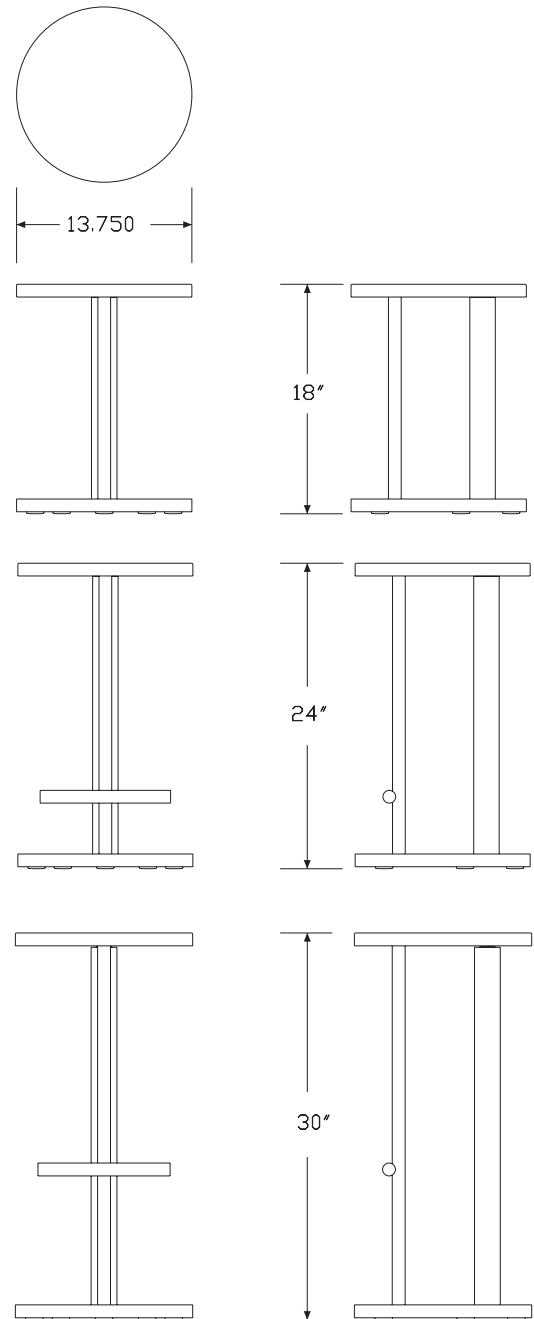


### Product Information

#### Description

This wood and steel stool is available in an 18" occasional height, 24" counter height, and 30" bar height. Counter and bar height stools include a footrest. Stool diameter is 13<sup>3</sup>/<sub>4</sub>".

### Dimensions



**Specification Information**

Step 1.

**MAS**  A

Step 2. Height

**18** 18" high  A

**24** 24" high  A

**30** 30" high  A

Prices for Steps 1-2.

**MAS18** \$1455

**MAS24** \$1475

**MAS30** \$1495

Step 3. Wood Finish

**A2** white ash  A +\$0

**EN** ebony on ash  A +\$0

**OU** walnut  A +\$100

Step 4. Metal Post and Footrest Finish

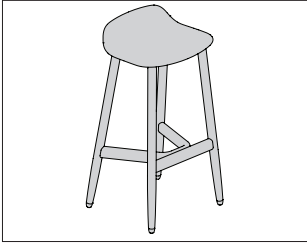
**SAC** satin chrome  A +\$0

**BK** black  A +\$0

**BAS** brass  A +\$50

# Crosshatch Stool

SEB1B  
SEB1C

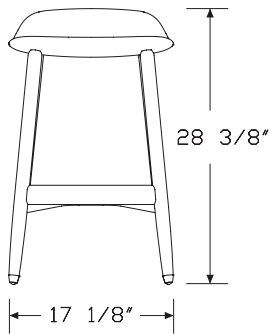


### Product Information

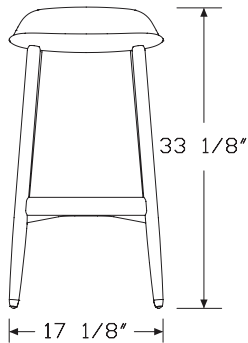
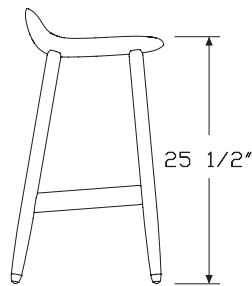
#### Description

This solid wood stool is available in bar and counter height. Wood options are ash or walnut.

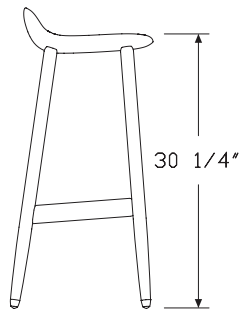
#### Dimensions



Counter Height



Bar Height



### Specification Information

#### Step 1.

**SEB1**  A

#### Step 2. Configuration

**CX** counter height  A

**BX** bar height  A

#### Step 3. Frame Finish

**A** ash  A

**W** walnut  A

#### Prices for Steps 1-3.

<b>SEB1CX A</b>	\$1350
<b>W</b>	\$1750

<b>SEB1BX A</b>	\$1370
<b>W</b>	\$1770

#### Step 4. Wood Finish

Anigre Veneer - Low Sheen

*For ash (A)*

<b>967</b> smoked paldao, low sheen <input type="checkbox"/> A	+\$0
--	------

<b>969</b> warm paldao, low sheen <input type="checkbox"/> A	+\$0
--	------

Premium Veneer - Low Sheen

*For ash (A)*

<b>G2U</b>	light brown walnut, low sheen <span style="border: 1px solid black; padding: 0 2px;">A</span>	+\$0
<b>G40</b>	dark brown walnut, low sheen <span style="border: 1px solid black; padding: 0 2px;">A</span>	+\$0
<b>940</b>	sundance cherry on maple <span style="border: 1px solid black; padding: 0 2px;">A</span>	+\$0
<b>943</b>	caramel cherry <span style="border: 1px solid black; padding: 0 2px;">A</span>	+\$0
<b>946</b>	cocoa cherry <span style="border: 1px solid black; padding: 0 2px;">A</span>	+\$0
<b>956</b>	cocoa sapele <span style="border: 1px solid black; padding: 0 2px;">A</span>	+\$0
<b>962</b>	toasted walnut, low sheen <span style="border: 1px solid black; padding: 0 2px;">A</span>	+\$0
<b>963</b>	charred walnut, low sheen <span style="border: 1px solid black; padding: 0 2px;">A</span>	+\$0
<b>964</b>	bronzed walnut, low sheen <span style="border: 1px solid black; padding: 0 2px;">A</span>	+\$0
<b>965</b>	smoked walnut, low sheen <span style="border: 1px solid black; padding: 0 2px;">A</span>	+\$0
<b>966</b>	coffee walnut, low sheen <span style="border: 1px solid black; padding: 0 2px;">A</span>	+\$0
<b>977</b>	chocolate ash, low sheen <span style="border: 1px solid black; padding: 0 2px;">A</span>	+\$0
<b>98R</b>	recograin rosewood <span style="border: 1px solid black; padding: 0 2px;">A</span>	+\$0
<b>991</b>	champagne ash <span style="border: 1px solid black; padding: 0 2px;">A</span>	+\$0
<b>998</b>	ebony ash <span style="border: 1px solid black; padding: 0 2px;">A</span>	+\$0
<b>99A</b>	recograin frosty ash <span style="border: 1px solid black; padding: 0 2px;">A</span>	+\$0
<b>99R</b>	recograin rosewood <span style="border: 1px solid black; padding: 0 2px;">A</span>	+\$0
<b>99T</b>	recograin teak <span style="border: 1px solid black; padding: 0 2px;">A</span>	+\$0
<b>9A1</b>	white ash, quarter cut, low sheen <span style="border: 1px solid black; padding: 0 2px;">A</span>	+\$0
<b>9K1</b>	rift oak, rift cut, low sheen <span style="border: 1px solid black; padding: 0 2px;">A</span>	+\$0
<b>9K6</b>	burnt oak, rift cut, low sheen <span style="border: 1px solid black; padding: 0 2px;">A</span>	+\$0
<b>ED</b>	aged cherry <span style="border: 1px solid black; padding: 0 2px;">A</span>	+\$0
<b>EK</b>	medium red walnut <span style="border: 1px solid black; padding: 0 2px;">A</span>	+\$0
<b>UX</b>	walnut on cherry <span style="border: 1px solid black; padding: 0 2px;">A</span>	+\$0

Premium Veneer - Matte

*For ash (A)*

<b>66A</b>	recograin frosty ash <span style="border: 1px solid black; padding: 0 2px;">A</span>	+\$0
<b>677</b>	chocolate ash, matte sheen <span style="border: 1px solid black; padding: 0 2px;">A</span>	+\$0
<b>68R</b>	recograin rosewood <span style="border: 1px solid black; padding: 0 2px;">A</span>	+\$0
<b>69A</b>	recograin frosty ash <span style="border: 1px solid black; padding: 0 2px;">A</span>	+\$0
<b>69R</b>	recograin rosewood <span style="border: 1px solid black; padding: 0 2px;">A</span>	+\$0
<b>69T</b>	recograin teak <span style="border: 1px solid black; padding: 0 2px;">A</span>	+\$0
<b>6A1</b>	white ash <span style="border: 1px solid black; padding: 0 2px;">A</span>	+\$0
<b>6K1</b>	rift oak <span style="border: 1px solid black; padding: 0 2px;">A</span>	+\$0
<b>6K6</b>	burnt oak <span style="border: 1px solid black; padding: 0 2px;">A</span>	+\$0
<b>ET</b>	clear on ash <span style="border: 1px solid black; padding: 0 2px;">A</span>	+\$0
<b>EU</b>	oak on ash <span style="border: 1px solid black; padding: 0 2px;">A</span>	+\$0
<b>EV</b>	walnut on ash <span style="border: 1px solid black; padding: 0 2px;">A</span>	+\$0
<b>GOU</b>	natural walnut, flat cut, matte sheen <span style="border: 1px solid black; padding: 0 2px;">A</span>	+\$0

RecoGrain Veneer

*For ash (A)*

<b>66G</b>	recograin wenge <span style="border: 1px solid black; padding: 0 2px;">A</span>	+\$0
<b>68W</b>	recograin walnut, flat cut, matte sheen <span style="border: 1px solid black; padding: 0 2px;">A</span>	+\$0
<b>69G</b>	recograin wenge <span style="border: 1px solid black; padding: 0 2px;">A</span>	+\$0
<b>69W</b>	recograin walnut, quarter cut, matte sheen <span style="border: 1px solid black; padding: 0 2px;">A</span>	+\$0

Recon Veneer -

*For ash (A)*

<b>98W</b>	recograin walnut, flat cut, low sheen <span style="border: 1px solid black; padding: 0 2px;">A</span>	+\$0
<b>99G</b>	recograin wenge, quarter cut, low sheen <span style="border: 1px solid black; padding: 0 2px;">A</span>	+\$0
<b>99W</b>	recograin walnut, quarter cut, low sheen <span style="border: 1px solid black; padding: 0 2px;">A</span>	+\$0

Anigre Veneer - Low Sheen

*For walnut (W)*

<b>967</b>	smoked paldao, low sheen <span style="border: 1px solid black; padding: 0 2px;">A</span>	+\$0
<b>969</b>	warm paldao, low sheen <span style="border: 1px solid black; padding: 0 2px;">A</span>	+\$0

Premium Veneer - Low Sheen

*For walnut (W)*

<b>G2U</b>	light brown walnut, low sheen <span style="border: 1px solid black; padding: 0 2px;">A</span>	+\$0
<b>G40</b>	dark brown walnut, low sheen <span style="border: 1px solid black; padding: 0 2px;">A</span>	+\$0
<b>962</b>	toasted walnut, low sheen <span style="border: 1px solid black; padding: 0 2px;">A</span>	+\$0
<b>963</b>	charred walnut, low sheen <span style="border: 1px solid black; padding: 0 2px;">A</span>	+\$0
<b>964</b>	bronzed walnut, low sheen <span style="border: 1px solid black; padding: 0 2px;">A</span>	+\$0
<b>965</b>	smoked walnut, low sheen <span style="border: 1px solid black; padding: 0 2px;">A</span>	+\$0
<b>966</b>	coffee walnut, low sheen <span style="border: 1px solid black; padding: 0 2px;">A</span>	+\$0
<b>972</b>	sundance walnut <span style="border: 1px solid black; padding: 0 2px;">A</span>	+\$0
<b>98R</b>	recograin rosewood <span style="border: 1px solid black; padding: 0 2px;">A</span>	+\$0
<b>99R</b>	recograin rosewood <span style="border: 1px solid black; padding: 0 2px;">A</span>	+\$0
<b>EK</b>	medium red walnut <span style="border: 1px solid black; padding: 0 2px;">A</span>	+\$0

Premium Veneer - Matte

*For walnut (W)*

<b>667</b>	smoked paldao, quarter cut, matte sheen <span style="border: 1px solid black; padding: 0 2px;">A</span>	+\$0
<b>669</b>	warm paldao, quarter cut, matte sheen <span style="border: 1px solid black; padding: 0 2px;">A</span>	+\$0
<b>662</b>	toasted walnut, matte sheen <span style="border: 1px solid black; padding: 0 2px;">A</span>	+\$0
<b>663</b>	charred walnut, matte sheen <span style="border: 1px solid black; padding: 0 2px;">A</span>	+\$0
<b>664</b>	bronzed walnut, matte sheen <span style="border: 1px solid black; padding: 0 2px;">A</span>	+\$0
<b>665</b>	smoked walnut, matte sheen <span style="border: 1px solid black; padding: 0 2px;">A</span>	+\$0
<b>666</b>	coffee walnut, matte sheen <span style="border: 1px solid black; padding: 0 2px;">A</span>	+\$0
<b>68R</b>	recograin rosewood <span style="border: 1px solid black; padding: 0 2px;">A</span>	+\$0
<b>69R</b>	recograin rosewood <span style="border: 1px solid black; padding: 0 2px;">A</span>	+\$0
<b>GOU</b>	natural walnut, flat cut, matte sheen <span style="border: 1px solid black; padding: 0 2px;">A</span>	+\$0



# Crosshatch Stool *continued*

---

## RecoGrain Veneer

*For walnut (W)*

<b>66G</b>	recoGrain wenge	A	+\$0
<b>69G</b>	recoGrain wenge	A	+\$0

---

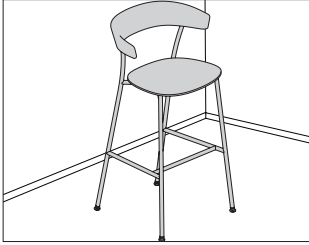
## Recon Veneer -

*For walnut (W)*

<b>96G</b>	wenge recoGrain, quarter cut, low sheen	A	+\$0
<b>99G</b>	recoGrain wenge, quarter cut, low sheen	A	+\$0

# Leeway™ Stool

SVSPB  
SVSPC  
SVSUA  
SVSUW  
SVSWA  
SVSWW



HermanMiller Collection—Stools

### Product Information

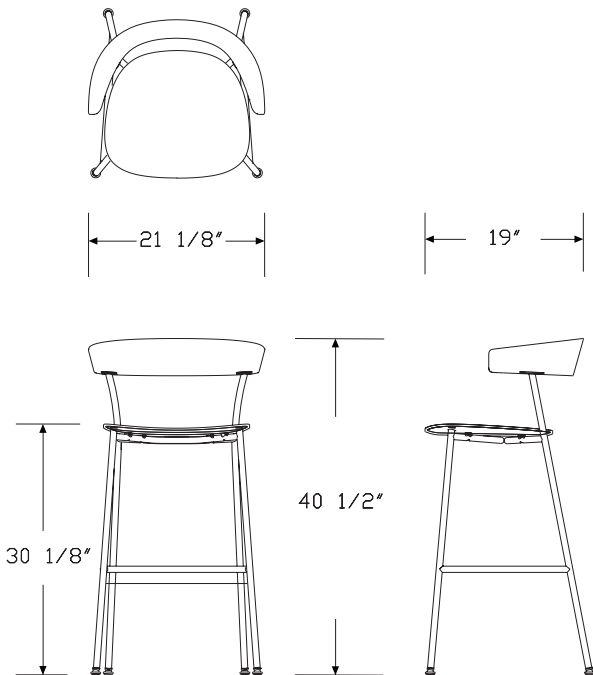
#### Description

This stool has a solid wood seat and back with a metal frame or a polyurethane seat and back with a metal frame. All options available with or without an upholstered seat.

#### Notes

Customer's Own Material (COM) requires 1/2 yard. Customer's Own Leather (COL) requires 9 square feet. See Order Information in appendices.

#### Dimensions



### Specification Information

#### Step 1.

**SVS**  A

#### Step 2. Seat/Back

**U** upholstered seat, wood back  A

**W** wood seat and back  A

**P** polyurethane seat and back  A

#### Step 3. Wood Species

**A** ash  A

**W** walnut  A

#### Step 4. Stool Height

**B** bar height  A

**C** counter height  A

#### Prices for Steps 1-4.

<b>SVSUA</b>	<b>B</b>	\$1295
	<b>C</b>	\$1285

<b>SVSUW</b>	<b>B</b>	\$1595
	<b>C</b>	\$1585

<b>SVSWA</b>	<b>B</b>	\$1195
	<b>C</b>	\$1185

<b>SVSWW</b>	<b>B</b>	\$1495
	<b>C</b>	\$1485

#### Step 5. Frame Finish

**BK** black  A +\$0

**SAC** satin chrome  A +\$104

Step 6. Seat/Back Finish

*For upholstered seat, wood back (U) or wood seat and back (W) with ash (A)*

<b>940</b>	sundance cherry on maple, low sheen <input type="checkbox"/>	+\$0
<b>943</b>	caramel cherry, low sheen <input type="checkbox"/>	+\$0
<b>946</b>	cocoa cherry, low sheen <input type="checkbox"/>	+\$0
<b>956</b>	cocoa sapele, low sheen <input type="checkbox"/>	+\$0
<b>966</b>	coffee walnut, low sheen <input type="checkbox"/>	+\$0
<b>967</b>	smoked paldao, low sheen <input type="checkbox"/>	+\$0
<b>969</b>	warm paldao, low sheen <input type="checkbox"/>	+\$0
<b>96A</b>	recograin frosty ash, low sheen <input type="checkbox"/>	+\$0
<b>96G</b>	recograin wenge, low sheen <input type="checkbox"/>	+\$0
<b>96W</b>	recograin walnut, low sheen <input type="checkbox"/>	+\$0
<b>977</b>	chocolate ash, low sheen <input type="checkbox"/>	+\$0
<b>98R</b>	recograin rosewood, low sheen <input type="checkbox"/>	+\$0
<b>98W</b>	recograin walnut, low sheen <input type="checkbox"/>	+\$0
<b>991</b>	champagne ash, low sheen <input type="checkbox"/>	+\$0
<b>998</b>	ebony ash, low sheen <input type="checkbox"/>	+\$0
<b>99G</b>	recograin wenge, low sheen <input type="checkbox"/>	+\$0
<b>99R</b>	recograin rosewood, low sheen <input type="checkbox"/>	+\$0
<b>99T</b>	recograin teak, low sheen <input type="checkbox"/>	+\$0
<b>99W</b>	recograin walnut, low sheen <input type="checkbox"/>	+\$0
<b>9A1</b>	white ash, low sheen <input type="checkbox"/>	+\$0
<b>9K1</b>	rift oak, low sheen <input type="checkbox"/>	+\$0
<b>9K6</b>	burnt oak, low sheen <input type="checkbox"/>	+\$0
<b>ED</b>	aged cherry, low sheen <input type="checkbox"/>	+\$0
<b>EK</b>	medium red walnut, low sheen <input type="checkbox"/>	+\$0
<b>G2U</b>	light brown walnut, low sheen <input type="checkbox"/>	+\$0
<b>G40</b>	dark brown walnut, low sheen <input type="checkbox"/>	+\$0
<b>UX</b>	walnut on cherry, low sheen <input type="checkbox"/>	+\$0

*For upholstered seat, wood back (U) or wood seat and back (W) with ash (A)*

<b>662</b>	toasted walnut, matte sheen <input type="checkbox"/>	+\$0
<b>663</b>	charred walnut, matte sheen <input type="checkbox"/>	+\$0
<b>664</b>	bronzed walnut, matte sheen <input type="checkbox"/>	+\$0
<b>665</b>	smoked walnut, matte sheen <input type="checkbox"/>	+\$0
<b>666</b>	coffee walnut, matte sheen <input type="checkbox"/>	+\$0
<b>667</b>	smoked paldao, matte sheen <input type="checkbox"/>	+\$0
<b>669</b>	warm paldao, matte sheen <input type="checkbox"/>	+\$0
<b>66A</b>	recograin frosty ash, matte sheen <input type="checkbox"/>	+\$0
<b>66G</b>	recograin wenge, matte sheen <input type="checkbox"/>	+\$0
<b>66W</b>	recograin walnut, matte sheen <input type="checkbox"/>	+\$0
<b>677</b>	chocolate ash, matte sheen <input type="checkbox"/>	+\$0
<b>69A</b>	recograin frosty ash, matte sheen <input type="checkbox"/>	+\$0
<b>69G</b>	recograin wenge, matte sheen <input type="checkbox"/>	+\$0
<b>69R</b>	recograin rosewood, matte sheen <input type="checkbox"/>	+\$0
<b>69T</b>	recograin teak, matte sheen <input type="checkbox"/>	+\$0
<b>69W</b>	recograin walnut, matte sheen <input type="checkbox"/>	+\$0
<b>6A1</b>	white ash, matte sheen <input type="checkbox"/>	+\$0
<b>6ET</b>	clear on ash, matte sheen <input type="checkbox"/>	+\$0
<b>6EU</b>	clear on oak, matte sheen <input type="checkbox"/>	+\$0
<b>6EV</b>	walnut on ash, matte sheen <input type="checkbox"/>	+\$0
<b>6K1</b>	rift oak, matte sheen <input type="checkbox"/>	+\$0
<b>6K6</b>	burnt oak, matte sheen <input type="checkbox"/>	+\$0
<b>ET</b>	clear on ash, matte sheen <input type="checkbox"/>	+\$0
<b>EU</b>	oak on ash, matte sheen <input type="checkbox"/>	+\$0
<b>EV</b>	walnut on ash, matte sheen <input type="checkbox"/>	+\$0
<b>GOU</b>	walnut, matte sheen <input type="checkbox"/>	+\$0

*For upholstered seat, wood back (U) or wood seat and back (W) with walnut (W)*

<b>962</b>	toasted walnut, low sheen <input type="checkbox"/>	+\$0
<b>963</b>	charred walnut, low sheen <input type="checkbox"/>	+\$0
<b>964</b>	bronzed walnut, low sheen <input type="checkbox"/>	+\$0
<b>965</b>	smoked walnut, low sheen <input type="checkbox"/>	+\$0
<b>966</b>	coffee walnut, low sheen <input type="checkbox"/>	+\$0
<b>967</b>	smoked paldao, low sheen <input type="checkbox"/>	+\$0
<b>969</b>	warm paldao, low sheen <input type="checkbox"/>	+\$0
<b>96G</b>	recograin wenge, low sheen <input type="checkbox"/>	+\$0
<b>972</b>	sundance walnut, low sheen <input type="checkbox"/>	+\$0
<b>98R</b>	recograin rosewood, low sheen <input type="checkbox"/>	+\$0
<b>99G</b>	recograin wenge, low sheen <input type="checkbox"/>	+\$0
<b>99R</b>	recograin rosewood, low sheen <input type="checkbox"/>	+\$0
<b>EK</b>	medium red walnut, low sheen <input type="checkbox"/>	+\$0
<b>G2U</b>	light brown walnut, low sheen <input type="checkbox"/>	+\$0
<b>G40</b>	dark brown walnut, low sheen <input type="checkbox"/>	+\$0

*For upholstered seat, wood back (U) or wood seat and back (W) with walnut (W)*

<b>662</b>	toasted walnut, matte sheen <input type="checkbox"/>	+\$0
<b>663</b>	charred walnut, matte sheen <input type="checkbox"/>	+\$0
<b>664</b>	bronzed walnut, matte sheen <input type="checkbox"/>	+\$0
<b>665</b>	smoked walnut, matte sheen <input type="checkbox"/>	+\$0
<b>666</b>	coffee walnut, matte sheen <input type="checkbox"/>	+\$0
<b>667</b>	smoked paldao, matte sheen <input type="checkbox"/>	+\$0
<b>669</b>	warm paldao, matte sheen <input type="checkbox"/>	+\$0
<b>66G</b>	recograin wenge, matte sheen <input type="checkbox"/>	+\$0
<b>68R</b>	recograin rosewood, matte sheen <input type="checkbox"/>	+\$0
<b>69G</b>	recograin wenge, matte sheen <input type="checkbox"/>	+\$0
<b>69R</b>	recograin rosewood, matte sheen <input type="checkbox"/>	+\$0
<b>6EV</b>	walnut on ash, matte sheen <input type="checkbox"/>	+\$0
<b>EV</b>	walnut on ash, matte sheen <input type="checkbox"/>	+\$0
<b>GOU</b>	walnut, matte sheen <input type="checkbox"/>	+\$0

*For polyurethane seat and back (P)*

<b>BK</b>	black <input type="checkbox"/>	+\$0
-----------	--------------------------------	------

Step 7. Fabric

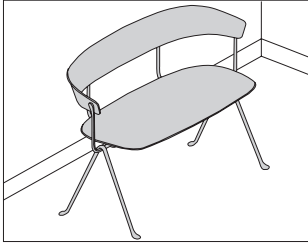
*For upholstered seat, wood back (U)*

Price Category (Geiger) COL <input type="checkbox"/>	+\$36
Price Category (Geiger) COM <input type="checkbox"/>	+\$0
Price Category 1	+\$0
Price Category 2	+\$24
Price Category 3	+\$30
Price Category (Geiger) 3	+\$30
Price Category (Geiger) 4	+\$36
Price Category 5	+\$53
Price Category (Geiger) 5	+\$53
Price Category (Geiger) 6	+\$69
Price Category (Geiger) 7	+\$86
Price Category (Geiger) 7	+\$86
Price Category (Geiger) 8	+\$131
Price Category 9	+\$163
Price Category (Geiger) 10	+\$187
Price Category 11	+\$210
Price Category (Geiger) 11	+\$210
Price Category (Geiger) 14	+\$275
Price Category C	+\$27
Price Category (Geiger) C	+\$43
Price Category (Geiger) D	+\$35
Price Category (Geiger) E	+\$43
Price Category (Geiger) G	+\$70
Price Category (Geiger) H	+\$87
Price Category (Geiger) J	+\$123
Price Category (Geiger) K	+\$141
Price Category (Geiger) L	+\$159
Price Category (Geiger) M	+\$177

Step 8. Fire Retardancy

*For upholstered seat, wood back (U)*

<b>NOCAL</b> no cal-133 required <input type="checkbox"/>	+\$0
<b>133</b> fire retardant <input type="checkbox"/>	+\$33

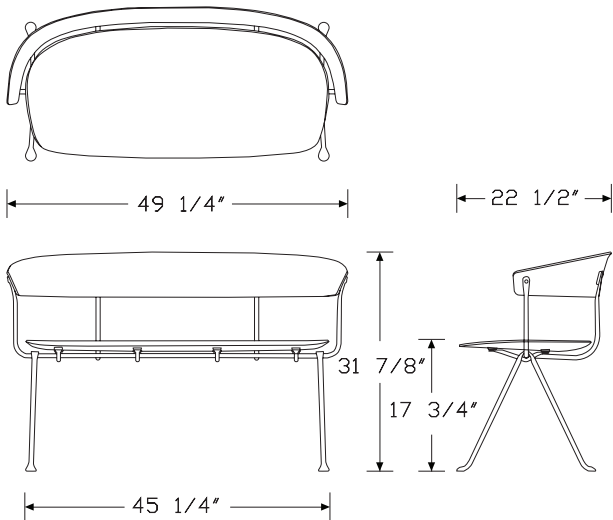


**Product Information**

**Description**

This bench has a wrought iron frame available in galvanized or painted grey anthracite finish. Seat and back are available in plywood or fabric upholstery. Ships assembled.

**Dimensions**



**Specification Information**

**Step 1.**

**SD222X**  A

**Step 2. Seat & Back**

**W** plywood  A

**F** fabric upholstery  A

**Prices for Steps 1-2.**

<b>SD222X W</b>	\$1995
<b>F</b>	\$2895

**Step 3. Frame Finish**

**GLV** galvanized  A +\$0

**YCB** grey anthracite  A +\$0

**Step 4. Seat & Back Finish**

*For plywood (W)*

**YNC** natural beech  A +\$0

**YNM** black beech  A +\$0

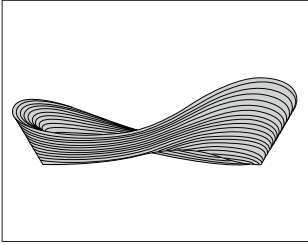
*For fabric upholstery (F)*

Price Category G +\$0

Price Category H +\$0

Folly

MGC00.

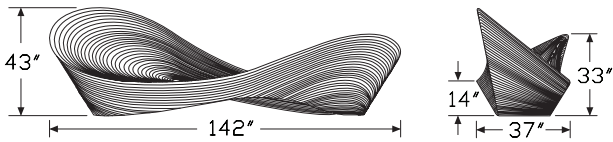


**Product Information**

**Description**  
This bench by designer Ron Arad is formed in polyethylene. Suitable for outdoor use.

**Notes**  
Order floor kit (MGC90.) separately.

**Dimensions**



**Specification Information**

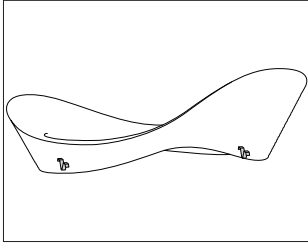
**Step 1.**  
**MGC00.**  A \$6854

**Step 2. Finish**  
**RSB** rust brown  A +\$0

HermanMiller Collection—Benches

# Folly Floor Kit

MGC90.



### Product Information

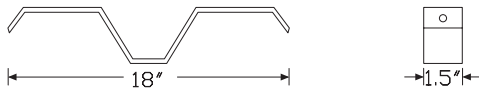
#### Description

This kit attaches a Folly bench to the floor. Includes 2 galvanized steel plates. Floor anchors not included.

#### Notes

Customer to supply appropriate anchor system for floor type.

#### Dimensions



### Specification Information

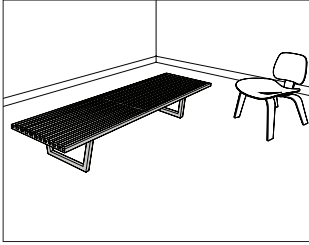
#### Step 1.

**MGC90.** A

\$257

# Nelson™ Platform Bench

PB.

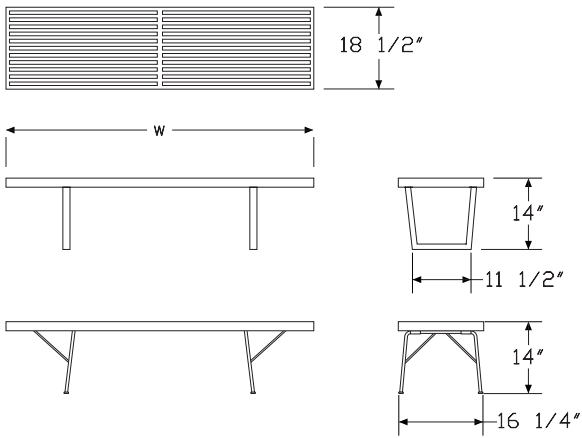


## Product Information

### Description

This bench has a slatted, clear-coat solid maple or walnut top and an ebonized wood or chrome metal base with metal leveling glides.

### Dimensions



HermanMiller Collection—Benches

## Specification Information

### Step 1.

**PB.**  A

### Step 2. Width

**48** 48" wide  A

**60** 60" wide  A

**72** 72" wide  A

### Step 3. Base

**M** trivalent chrome metal base  A

**W** ebonized wood base  A

### Prices for Steps 1-3.

		M	W
<b>PB.</b>	<b>48</b>	\$1108	1003
	<b>60</b>	\$1204	1104
	<b>72</b>	\$1304	1208

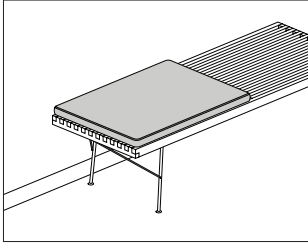
### Step 4. Slat Finish

		48	60	72
<b>UL</b>	natural maple <input type="checkbox"/> A	+\$195	235	235
<b>OU</b>	walnut <input type="checkbox"/> A	+\$926	1119	1309



Nelson™ Platform Bench Cushion

PBC.



**Product Information**

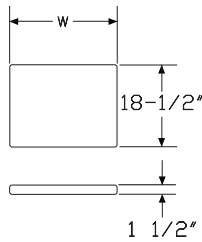
**Description**

This upholstered cushion fits on a Nelson™ platform bench.

**Notes**

Customers Own Material (COM) requires 1 yard for 24"-wide cushion and 1½ yards for 36"-wide cushion. Customers Own Leather (COL) requires 15 square feet for 24"-wide cushion and 20 square feet for 36"-wide cushion. See Order Information in appendices.

**Dimensions**



**Specification Information**

**Step 1.**

**PBC.** A

**Step 2. Width**

**24** 24" wide A

**36** 36" wide A

**Step 3. Material**

**F** fabric A

**Prices for Steps 1-3.**

	<b>F</b>
<b>PBC. 24</b>	\$400
<b>36</b>	\$600

**Step 4. Finish**

See application chart and textiles list for fabric usage and numbers. First 2 digits of number indicate fabric line; remaining digit(s) indicate fabric color.

	<b>24F</b>	<b>36F</b>
Price Category 1	+\$0	0
Price Category 2	+\$0	0
Price Category 3	+\$16	24
Price Category (Geiger) 3	+\$59	89
Price Category 4	+\$0	0
Price Category (Geiger) 4	+\$32	47
Price Category 5	+\$55	67
Price Category (Geiger) 5	+\$55	67
Price Category 6	+\$60	75
Price Category (Geiger) 6	+\$60	75
Price Category 7	+\$70	85
Price Category (Geiger) 7	+\$70	85
Price Category 8	+\$179	232
Price Category 9	+\$300	315
Price Category 10	+\$330	347
Price Category (Geiger) 10	+\$202	347
Price Category (Geiger) 11	+\$360	378
Price Category 14	+\$432	454
Price Category 10M	+\$454	682
Price Category C	+\$46	70
Price Category D	+\$59	88
Price Category E	+\$71	107
Price Category F	+\$138	171
Price Category G	+\$179	232
Price Category H	+\$218	289
Price Category I	+\$256	346

Herman Miller Collection—Benches

# Nelson™ Platform Bench Cushion

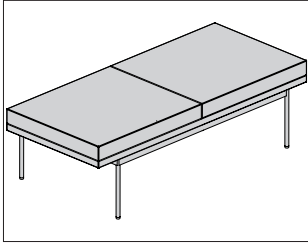
continued

Price Category J	+\$294	403
Price Category K	+\$332	459
Price Category L	+\$370	516
Price Category M	+\$519	1038
Price Category N	+\$542	630
Price Category O	+\$485	686
Price Category P	+\$349	743
Price Category Q	+\$375	803
Price Category X	+\$785	1177
Price Category Y	+\$826	1240

HermanMiller Collection—Benches

Tuxedo Component Lounge™  
Bench

ST2BN  
ST2BQ



**Product Information**

**Description**

This 17"-high bench has a foam and Dacron® seat with a painted or plated steel base.

**Notes**

Customer's Own Material (COM)/Customer's Own Leather (COL) requires the following:

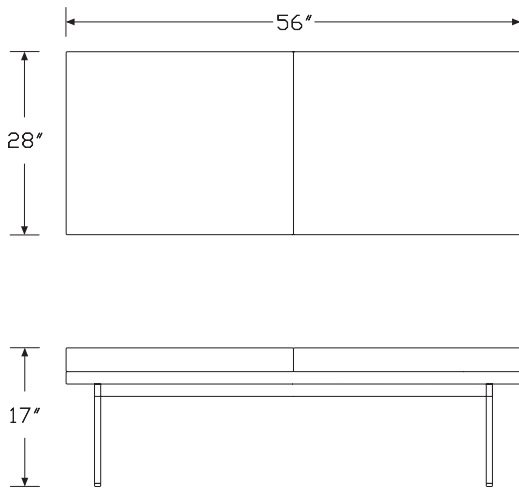
Type—COM—COL

Not quilted—3 yards—54 square feet

Quilted—3 yards—54 square feet

See Order Information in Appendices for more information.

**Dimensions**



**Specification Information**

**Step 1.**

**ST2B**  A

**Step 2. Upholstery Type**

**N** not quilted  A

**Q** quilted  A

**Prices for Steps 1-2.**

<b>ST2BN</b>	\$2035
<b>ST2BQ</b>	\$2100

**Step 3. Upholstery**

*For quilted (Q)*

Price Category (Geiger) 1	+\$117
Price Category 1	+\$0
Price Category (Geiger) 2	+\$141
Price Category 2	+\$141
Price Category (Geiger) 3	+\$177
Price Category 3	+\$177
Price Category (Geiger) 4	+\$216
Price Category 4	+\$216
Price Category (Geiger) 5	+\$315
Price Category 5	+\$315
Price Category (Geiger) 6	+\$414
Price Category (Geiger) 7	+\$513
Price Category (Geiger) 8	+\$786
Price Category (Geiger) 9	+\$975
Price Category 9	+\$975
Price Category (Geiger) 10	+\$1122
Price Category (Geiger) 11	+\$1257
Price Category (Geiger) 14	+\$1647
Price Category (Geiger) A	+\$99
Price Category (Geiger) C	+\$159
Price Category (Geiger) D	+\$210
Price Category (Geiger) E	+\$255
Price Category (Geiger) F	+\$306
Price Category (Geiger) G	+\$417
Price Category (Geiger) H	+\$519
Price Category (Geiger) I	+\$627
Price Category (Geiger) J	+\$735
Price Category (Geiger) K	+\$843
Price Category (Geiger) L	+\$951
Price Category (Geiger) M	+\$1059
Price Category (Geiger) N	+\$1165
Price Category (Geiger) O	+\$1275

# Tuxedo Component Lounge™ Bench *continued*

Price Category (Geiger) P	+\$1380
Price Category (Geiger) Q	+\$1593
Price Category (Geiger) R	+\$2220
Price Category (Geiger) S	+\$2385
Price Category (Geiger) V	+\$2880
Price Category (Geiger) COM <input type="checkbox"/>	+\$0
Price Category (Geiger) COL <input type="checkbox"/>	+\$216

*For not quilted (N)*

Price Category (Geiger) 1	+\$117
Price Category 1	+\$0
Price Category (Geiger) 2	+\$141
Price Category 2	+\$141
Price Category (Geiger) 3	+\$177
Price Category 3	+\$177
Price Category (Geiger) 4	+\$216
Price Category 4	+\$216
Price Category (Geiger) 5	+\$315
Price Category 5	+\$315
Price Category (Geiger) 6	+\$414
Price Category (Geiger) 7	+\$513
Price Category (Geiger) 8	+\$786
Price Category (Geiger) 9	+\$975
Price Category 9	+\$975
Price Category (Geiger) 10	+\$1122
Price Category (Geiger) 11	+\$1257
Price Category (Geiger) 14	+\$1647
Price Category (Geiger) A	+\$99
Price Category (Geiger) C	+\$159
Price Category (Geiger) D	+\$210
Price Category (Geiger) E	+\$255
Price Category (Geiger) F	+\$306
Price Category (Geiger) G	+\$417
Price Category (Geiger) H	+\$519
Price Category (Geiger) I	+\$627
Price Category (Geiger) J	+\$735
Price Category (Geiger) K	+\$843
Price Category (Geiger) L	+\$951
Price Category (Geiger) M	+\$1059
Price Category (Geiger) N	+\$1165
Price Category (Geiger) O	+\$1275
Price Category (Geiger) P	+\$1380
Price Category (Geiger) Q	+\$1593
Price Category (Geiger) R	+\$2220
Price Category (Geiger) S	+\$2385
Price Category (Geiger) V	+\$2880
Price Category (Geiger) X	+\$3210

Price Category (Geiger) Y	+\$3375
Price Category (Geiger) COM <input type="checkbox"/>	+\$0
Price Category (Geiger) COL <input type="checkbox"/>	+\$216

Step 4. Base Finish

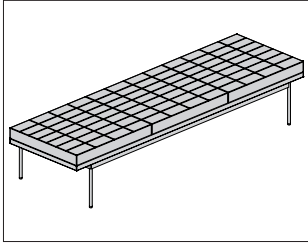
<b>926</b> black <input type="checkbox"/>	+\$0
<b>AS</b> arctic silver <input type="checkbox"/>	+\$0
<b>WHT</b> white <input type="checkbox"/>	+\$0
<b>BNZ</b> bronze <input type="checkbox"/>	+\$645
<b>CHR</b> chrome <input type="checkbox"/>	+\$645
<b>SAC</b> satin chrome <input type="checkbox"/>	+\$645

Step 5. Fire Retardancy

<b>NOCAL</b> not fire retardant <input type="checkbox"/>	+\$0
<b>133</b> fire retardant <input type="checkbox"/>	+\$195

Tuxedo Component Lounge™  
Museum Bench

ST3BN  
ST3BQ



**Product Information**

**Description**

This 17"-high museum bench has a foam and Dacron® seat with a painted or plated steel base.

**Notes**

Customer's Own Material (COM)/Customer's Own Leather (COL) requires the following:

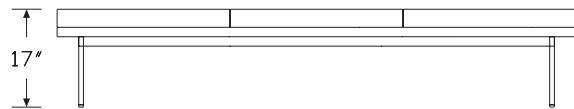
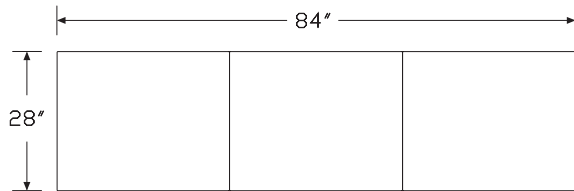
Type—COM—COL

Not quilted—5½ yards—99 square feet

Quilted—5½ yards—99 square feet

See Order Information in Appendices for more information.

**Dimensions**



**Specification Information**

**Step 1.**

**ST3B**  A

**Step 2. Upholstery Type**

**N** not quilted  A

**Q** quilted  A

**Prices for Steps 1-2.**

<b>ST3BN</b>	\$2790
<b>ST3BQ</b>	\$2855

**Step 3. Upholstery**

*For quilted (Q)*

Price Category (Geiger) 1	+\$215
Price Category 1	+\$0
Price Category (Geiger) 2	+\$259
Price Category 2	+\$259
Price Category (Geiger) 3	+\$325
Price Category 3	+\$325
Price Category (Geiger) 4	+\$396
Price Category 4	+\$396
Price Category (Geiger) 5	+\$578
Price Category 5	+\$578
Price Category (Geiger) 6	+\$759
Price Category (Geiger) 7	+\$941
Price Category (Geiger) 8	+\$1441
Price Category (Geiger) 9	+\$1788
Price Category 9	+\$1788
Price Category (Geiger) 10	+\$2057
Price Category (Geiger) 11	+\$2305
Price Category (Geiger) 14	+\$3020
Price Category (Geiger) A	+\$182
Price Category (Geiger) C	+\$292
Price Category (Geiger) D	+\$385
Price Category (Geiger) E	+\$468
Price Category (Geiger) F	+\$561
Price Category (Geiger) G	+\$765
Price Category (Geiger) H	+\$952
Price Category (Geiger) I	+\$1150
Price Category (Geiger) J	+\$1348
Price Category (Geiger) K	+\$1546
Price Category (Geiger) L	+\$1744
Price Category (Geiger) M	+\$1942
Price Category (Geiger) N	+\$2140
Price Category (Geiger) O	+\$2338

# Tuxedo Component Lounge™ Museum Bench *continued*

Price Category (Geiger) P	+\$2530
Price Category (Geiger) Q	+\$2921
Price Category (Geiger) R	+\$4070
Price Category (Geiger) S	+\$4373
Price Category (Geiger) V	+\$5280
Price Category (Geiger) COM <span style="border: 1px solid black; padding: 0 2px;">A</span>	+\$0
Price Category (Geiger) COL <span style="border: 1px solid black; padding: 0 2px;">A</span>	+\$396

*For not quilted (N)*

Price Category (Geiger) 1	+\$215
Price Category 1	+\$0
Price Category (Geiger) 2	+\$259
Price Category 2	+\$259
Price Category (Geiger) 3	+\$325
Price Category 3	+\$325
Price Category (Geiger) 4	+\$396
Price Category 4	+\$396
Price Category (Geiger) 5	+\$578
Price Category 5	+\$578
Price Category (Geiger) 6	+\$759
Price Category (Geiger) 7	+\$941
Price Category (Geiger) 8	+\$1441
Price Category (Geiger) 9	+\$1788
Price Category 9	+\$1788
Price Category (Geiger) 10	+\$2057
Price Category (Geiger) 11	+\$2305
Price Category (Geiger) 14	+\$3020
Price Category (Geiger) A	+\$182
Price Category (Geiger) C	+\$292
Price Category (Geiger) D	+\$385
Price Category (Geiger) E	+\$468
Price Category (Geiger) F	+\$561
Price Category (Geiger) G	+\$765
Price Category (Geiger) H	+\$952
Price Category (Geiger) I	+\$1150
Price Category (Geiger) J	+\$1348
Price Category (Geiger) K	+\$1546
Price Category (Geiger) L	+\$1744
Price Category (Geiger) M	+\$1942
Price Category (Geiger) N	+\$2140
Price Category (Geiger) O	+\$2338
Price Category (Geiger) P	+\$2530
Price Category (Geiger) Q	+\$2921
Price Category (Geiger) R	+\$4070
Price Category (Geiger) S	+\$4373
Price Category (Geiger) V	+\$5280
Price Category (Geiger) X	+\$5885

Price Category (Geiger) Y	+\$6188
Price Category (Geiger) COM <span style="border: 1px solid black; padding: 0 2px;">A</span>	+\$0
Price Category (Geiger) COL <span style="border: 1px solid black; padding: 0 2px;">A</span>	+\$396

Step 4. Base Finish

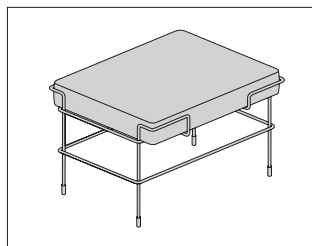
<b>926</b> black <span style="border: 1px solid black; padding: 0 2px;">A</span>	+\$0
<b>AS</b> arctic silver <span style="border: 1px solid black; padding: 0 2px;">A</span>	+\$0
<b>WHT</b> white <span style="border: 1px solid black; padding: 0 2px;">A</span>	+\$0
<b>BNZ</b> bronze <span style="border: 1px solid black; padding: 0 2px;">A</span>	+\$645
<b>CHR</b> chrome <span style="border: 1px solid black; padding: 0 2px;">A</span>	+\$645
<b>SAC</b> satin chrome <span style="border: 1px solid black; padding: 0 2px;">A</span>	+\$645

Step 5. Fire Retardancy

<b>NOCAL</b> not fire retardant <span style="border: 1px solid black; padding: 0 2px;">A</span>	+\$0
<b>133</b> fire retardant <span style="border: 1px solid black; padding: 0 2px;">A</span>	+\$293

# Traffic One-Seater Bench Upholstered

XXSD2

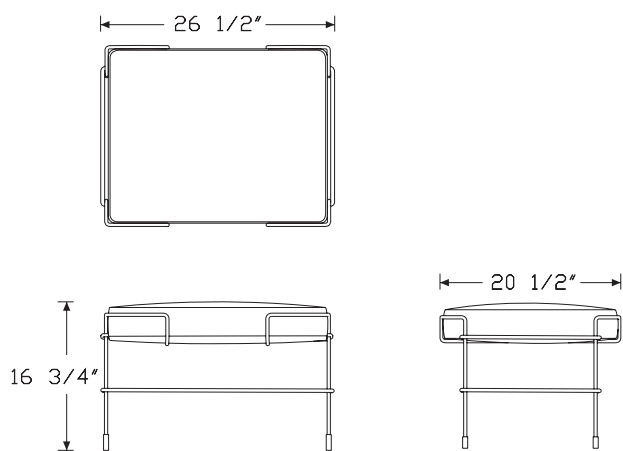


### Product Information

#### Description

This bench has a painted steel rod frame and upholstered cushions with removable covers.

#### Dimensions



### Specification Information

#### Step 1.

**XXSD2730**  A \$1336

#### Step 2. Frame Finish

<b>5011</b>	white	<input type="checkbox"/> A	+\$0
<b>5013</b>	black	<input type="checkbox"/> A	+\$0
<b>5016</b>	sepia brown	<input type="checkbox"/> A	+\$0
<b>5017</b>	green blue	<input type="checkbox"/> A	+\$0
<b>5019</b>	signal red	<input type="checkbox"/> A	+\$0
<b>5021</b>	dark green	<input type="checkbox"/> A	+\$0

#### Step 3. Seat Fabric

##### For white (5011)

<b>F-088</b>	orange	<input type="checkbox"/> A	+\$0
<b>F-222</b>	light blue	<input type="checkbox"/> A	+\$0
<b>F-266</b>	beige	<input type="checkbox"/> A	+\$0
<b>F-354</b>	green	<input type="checkbox"/> A	+\$0
<b>F-578</b>	yellow	<input type="checkbox"/> A	+\$0
<b>F-741</b>	light grey	<input type="checkbox"/> A	+\$0

##### For black (5013)

<b>F-521</b>	dark brown	<input type="checkbox"/> A	+\$0
--------------	------------	----------------------------	------

##### For sepia brown (5016)

<b>F-578</b>	yellow	<input type="checkbox"/> A	+\$0
--------------	--------	----------------------------	------

##### For green blue (5017)

<b>F-222</b>	light blue	<input type="checkbox"/> A	+\$0
--------------	------------	----------------------------	------

##### For signal red (5019)

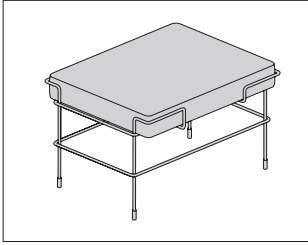
<b>F-088</b>	orange	<input type="checkbox"/> A	+\$0
--------------	--------	----------------------------	------

##### For dark green (5021)

<b>F-354</b>	green	<input type="checkbox"/> A	+\$0
--------------	-------	----------------------------	------

Traffic One-Seater Bench  
 Upholstered (Suitable for Outdoor  
 Use)

XXSD2

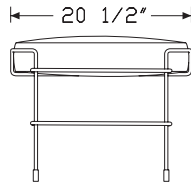
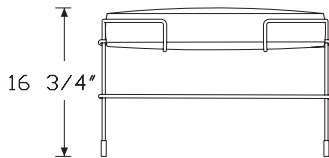
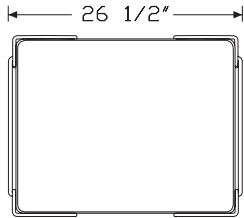


**Product Information**

Description

This bench has a painted steel rod frame and upholstered cushions with removable covers. Suitable for outdoor use.

Dimensions



**Specification Information**

Step 1.

**XXSD2731**  A \$1554

Step 2. Frame Finish

**5011** white  A +\$0

Step 3. Seat Fabric

**F-227** turquoise  A +\$0

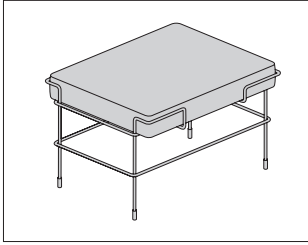
**F-257** blue  A +\$0

**F-737** white  A +\$0

**F-769** black  A +\$0



Traffic One-Seater Bench Leather XXSD2

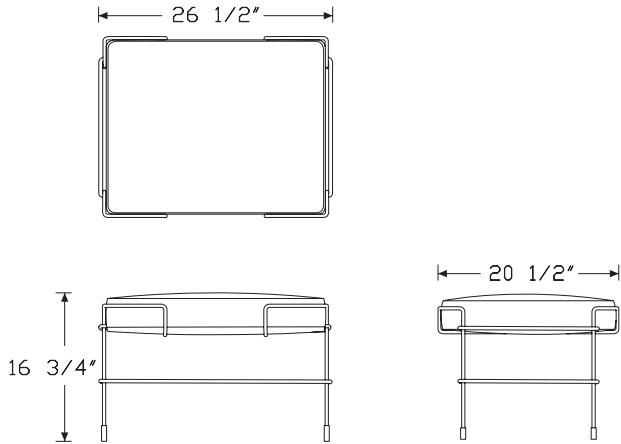


**Product Information**

**Description**

This bench has a painted steel rod frame and upholstered cushions with removable covers.

**Dimensions**



**Specification Information**

**Step 1.**

**XXSD2734** [A] \$1986

**Step 2. Frame Finish**

**5011** white [A] +\$0  
**5013** black [A] +\$0  
**5016** sepia brown [A] +\$0  
**5021** dark green [A] +\$0

**Step 3. Seat Fabric**

*For white (5011)*

**L-0111** brown l [A] +\$0  
**L-0706** cream white l [A] +\$0

*For black (5013)*

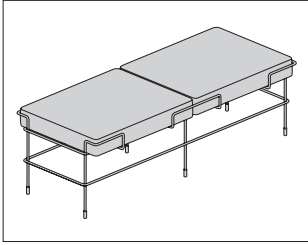
**L-0060** anthracite grey l [A] +\$0

*For dark green (5021)*

**L-0111** brown l [A] +\$0  
**L-0752** dark brown l [A] +\$0

# Traffic Two-Seater Bench Upholstered

XXSD2

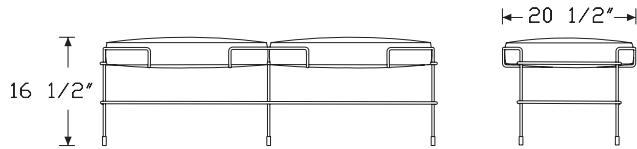
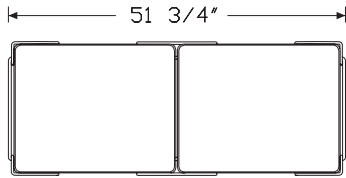


## Product Information

### Description

This bench has a painted steel rod frame and upholstered cushions with removable covers.

### Dimensions



HermanMiller Collection—Benches

## Specification Information

### Step 1.

**XXSD2740** A \$2340

### Step 2. Frame Finish

<b>5011</b>	white	<span style="border: 1px solid black; padding: 0 2px;">A</span>	+\$0
<b>5013</b>	black	<span style="border: 1px solid black; padding: 0 2px;">A</span>	+\$0
<b>5016</b>	sepia brown	<span style="border: 1px solid black; padding: 0 2px;">A</span>	+\$0
<b>5017</b>	green blue	<span style="border: 1px solid black; padding: 0 2px;">A</span>	+\$0
<b>5019</b>	signal red	<span style="border: 1px solid black; padding: 0 2px;">A</span>	+\$0
<b>5021</b>	dark green	<span style="border: 1px solid black; padding: 0 2px;">A</span>	+\$0

### Step 3. Seat Fabric

#### For white (5011)

<b>F-088</b>	orange	<span style="border: 1px solid black; padding: 0 2px;">A</span>	+\$0
<b>F-222</b>	light blue	<span style="border: 1px solid black; padding: 0 2px;">A</span>	+\$0
<b>F-266</b>	beige	<span style="border: 1px solid black; padding: 0 2px;">A</span>	+\$0
<b>F-354</b>	green	<span style="border: 1px solid black; padding: 0 2px;">A</span>	+\$0
<b>F-578</b>	yellow	<span style="border: 1px solid black; padding: 0 2px;">A</span>	+\$0
<b>F-741</b>	light grey	<span style="border: 1px solid black; padding: 0 2px;">A</span>	+\$0

#### For black (5013)

<b>F-521</b>	dark brown	<span style="border: 1px solid black; padding: 0 2px;">A</span>	+\$0
--------------	------------	---	------

#### For sepia brown (5016)

<b>F-578</b>	yellow	<span style="border: 1px solid black; padding: 0 2px;">A</span>	+\$0
--------------	--------	---	------

#### For green blue (5017)

<b>F-222</b>	light blue	<span style="border: 1px solid black; padding: 0 2px;">A</span>	+\$0
--------------	------------	---	------

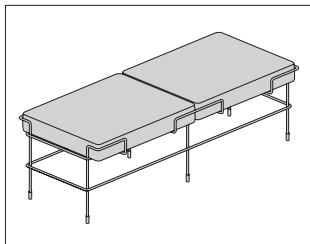
#### For signal red (5019)

<b>F-088</b>	orange	<span style="border: 1px solid black; padding: 0 2px;">A</span>	+\$0
--------------	--------	---	------

#### For dark green (5021)

<b>F-354</b>	green	<span style="border: 1px solid black; padding: 0 2px;">A</span>	+\$0
--------------	-------	---	------

Traffic Two-Seater Bench XXSD2  
 Upholstered (Suitable for Outdoor Use)

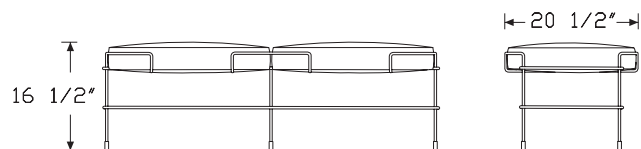
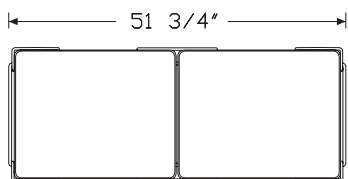


**Product Information**

**Description**

This bench has a painted steel rod frame and upholstered cushions with removable covers. Suitable for outdoor use.

**Dimensions**



**Specification Information**

**Step 1.**

**XXSD2741** A \$2670

**Step 2. Frame Finish**

**5011** white A + \$0

**Step 3. Seat Fabric**

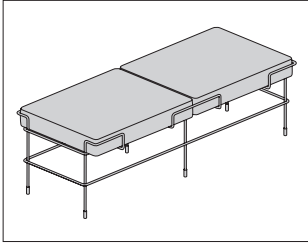
**F-227** turquoise A + \$0

**F-257** blue A + \$0

**F-737** white A + \$0

**F-769** black A + \$0

Traffic Two-Seater Bench Leather XXSD2

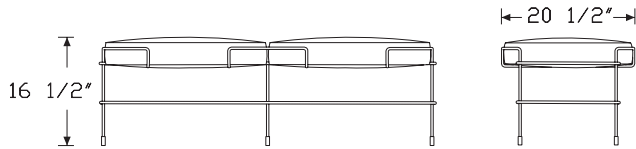
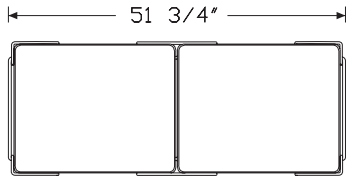


**Product Information**

**Description**

This bench has a painted steel rod frame and upholstered cushions with removable covers.

**Dimensions**



HermanMiller Collection—Benches

**Specification Information**

**Step 1.**

**XXSD2744**  A \$3645

**Step 2. Frame Finish**

- 5011** white  A +\$0
- 5013** black  A +\$0
- 5016** sepia brown  A +\$0
- 5021** dark green  A +\$0

**Step 3. Seat Fabric**

*For white (5011)*

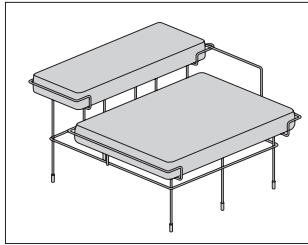
- L-0111** brown l  A +\$0
- L-0706** cream white l  A +\$0

*For black (5013)*

- L-0060** anthracite grey l  A +\$0

*For dark green (5021)*

- L-0111** brown l  A +\$0
- L-0752** dark brown l  A +\$0

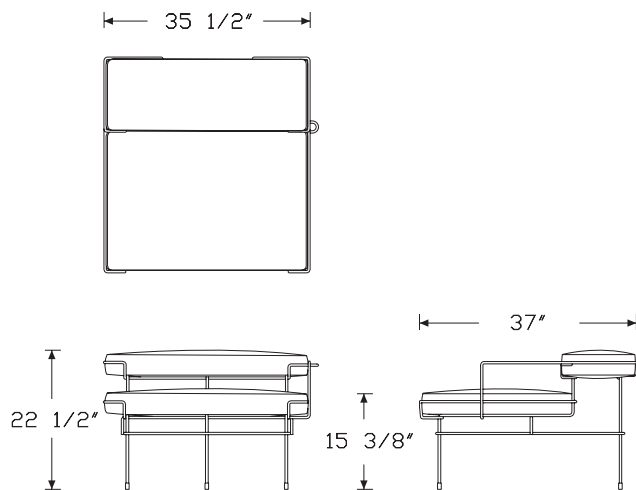


**Product Information**

**Description**

This platform bench has a painted steel rod frame and upholstered cushions with removable covers.

**Dimensions**



**Specification Information**

**Step 1.**

**XXSD2750** [A] \$2558

**Step 2. Frame Finish**

<b>5011</b>	white	[A]	+\$0
<b>5013</b>	black	[A]	+\$0
<b>5016</b>	sepia brown	[A]	+\$0
<b>5017</b>	green blue	[A]	+\$0
<b>5019</b>	signal red	[A]	+\$0
<b>5021</b>	dark green	[A]	+\$0

**Step 3. Seat Fabric**

*For white (5011)*

<b>F-088</b>	orange	[A]	+\$0
<b>F-222</b>	light blue	[A]	+\$0
<b>F-266</b>	beige	[A]	+\$0
<b>F-354</b>	green	[A]	+\$0
<b>F-578</b>	yellow	[A]	+\$0
<b>F-741</b>	light grey	[A]	+\$0

*For black (5013)*

<b>F-521</b>	dark brown	[A]	+\$0
--------------	------------	-----	------

*For sepia brown (5016)*

<b>F-578</b>	yellow	[A]	+\$0
--------------	--------	-----	------

*For green blue (5017)*

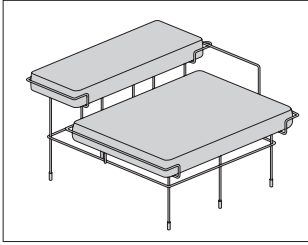
<b>F-222</b>	light blue	[A]	+\$0
--------------	------------	-----	------

*For signal red (5019)*

<b>F-088</b>	orange	[A]	+\$0
--------------	--------	-----	------

*For dark green (5021)*

<b>F-354</b>	green	[A]	+\$0
--------------	-------	-----	------

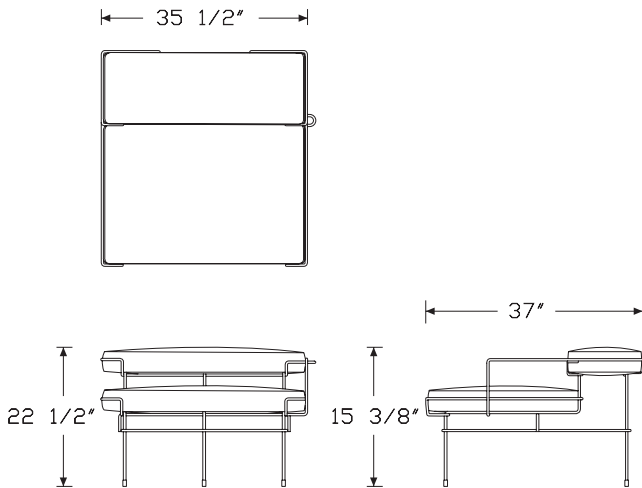


**Product Information**

**Description**

This platform bench has a painted steel rod frame and upholstered cushions with removable covers.

**Dimensions**



HermanMiller Collection—Benches

**Specification Information**

**Step 1.**

**XXSD2754**  A \$4082

**Step 2. Frame Finish**

- 5011** white  A + \$0
- 5013** black  A + \$0
- 5016** sepia brown  A + \$0
- 5021** dark green  A + \$0

**Step 3. Seat Fabric**

*For white (5011)*

- L-0111** brown l  A + \$0
- L-0706** cream white l  A + \$0

*For black (5013)*

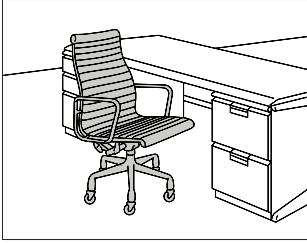
- L-0060** anthracite grey l  A + \$0

*For dark green (5021)*

- L-0111** brown l  A + \$0
- L-0752** dark brown l  A + \$0

Eames® Aluminum Group  
Executive Chair

EA337



**Product Information**

**Description**

This high-back chair with arms has a lightweight aluminum frame with suspended upholstery. It has a 5-star base with casters, tilt-swivel mechanism, and manual seat-height adjustment or pneumatic seat-height adjustment and tilt lock feature.

**Notes**

Chair is tested and warranted for use by persons 300 pounds and under. When chair is specified with Cygnus™ mesh, it meets CAL 133 requirements.

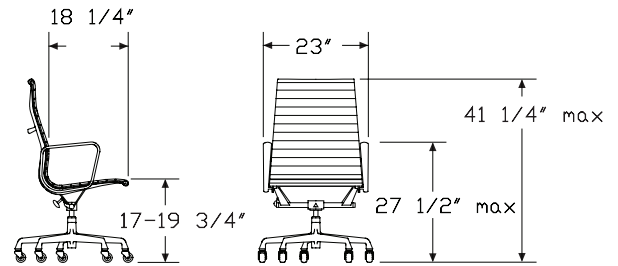
Chair sizes shown in illustrations are nominal.

For description of casters, see Casters and Glides in Appendices.

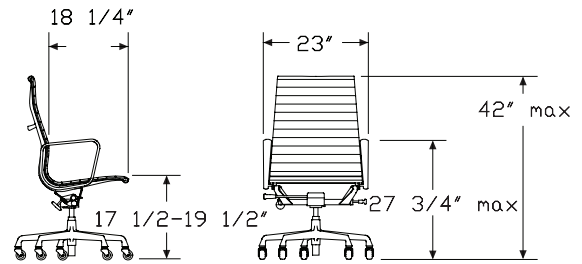
Customer's Own Material (COM) requires 1½ yards. Customer's Own

Leather (COL) requires 45 square feet. See Order Information in Appendices.

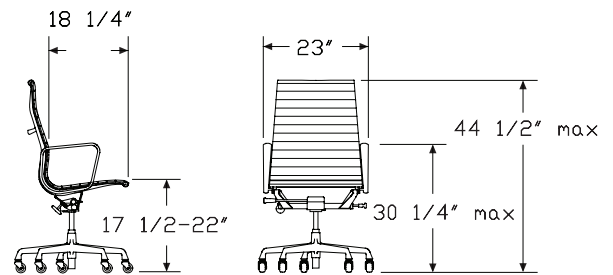
**Dimensions**



Manual



Pneumatic, standard-height range



Pneumatic, extended-height range

HermanMiller Collection—Work Chairs

# Eames® Aluminum Group Executive Chair *continued*

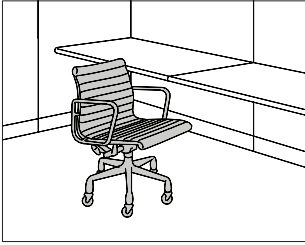
Specification Information		
Step 1.		
<b>EA33</b>	<input type="checkbox"/> A	
Step 2. Seat-Height Adjustment		
<b>7</b>	manual seat-height adjustment	<input type="checkbox"/> A
<b>7P</b>	pneumatic seat-height adjustment, standard-height range with tilt lock	<input type="checkbox"/> A
<b>7E</b>	pneumatic seat-height adjustment, extended-height range with tilt lock	<input type="checkbox"/> A
Prices for Steps 1-2.		
<b>EA337</b>		\$1900
<b>EA337P</b>		\$2070
<b>EA337E</b>		\$2140
Step 3. Casters		
<b>BSC</b>	2" soft double wheel caster, hard floors or carpet, black	<input type="checkbox"/> A +\$0
<b>MD</b>	2" soft double wheel caster, hard floors or carpet, chrome	<input type="checkbox"/> A +\$0
<b>UD</b>	2" hard double wheel caster, carpet, black painted	<input type="checkbox"/> A +\$0
<b>VD</b>	2" hard double wheel caster, carpet, chrome	<input type="checkbox"/> A +\$0
Step 4. Base Finish		
<b>L</b>	polished aluminum	<input type="checkbox"/> A +\$0
<b>BK</b>	black	<input type="checkbox"/> A +\$28
<b>G2</b>	graphite satin	<input type="checkbox"/> A +\$28
<b>91</b>	white	<input type="checkbox"/> A +\$28
Step 5. Frame Finish		
<i>For polished aluminum (L)</i>		
<b>L</b>	polished aluminum	<input type="checkbox"/> A +\$0
<i>For black (BK)</i>		
<b>BK</b>	black	<input type="checkbox"/> A +\$107
<i>For graphite satin (G2)</i>		
<b>G2</b>	graphite satin	<input type="checkbox"/> A +\$107
<i>For white (91)</i>		
<b>91</b>	white	<input type="checkbox"/> A +\$107

Step 6. Fabric	
<i>See application chart and textiles list for fabric usage and numbers. First 2 digits of number indicate fabric line; remaining digit(s) indicate fabric color.</i>	
Price Category 1	+\$0
Price Category 2	+\$55
Price Category 3	+\$125
Price Category 4	+\$179
Price Category (Geiger) 4	+\$138
Price Category 5	+\$226
Price Category (Geiger) 5	+\$226
Price Category 6	+\$273
Price Category 7 <input type="checkbox"/> A	+\$240
Price Category (Geiger) 7	+\$180
Price Category 9	+\$621
Price Category (Geiger) 10	+\$702
Price Category 10M	+\$841
Price Category 11	+\$768
Price Category B	+\$51
Price Category C	+\$70
Price Category D	+\$88
Price Category E	+\$107
Price Category F	+\$138
Price Category G	+\$179
Price Category H	+\$218
Price Category I	+\$256
Price Category J	+\$294
Price Category K	+\$332
Price Category L	+\$370



Eames® Aluminum Group  
Management Chair

EA334  
EA335



**Product Information**

**Description**

This low-back chair has a lightweight aluminum frame with suspended upholstery and comes with or without arms. It has a 5-star base, tilt-swivel mechanism, and manual seat-height adjustment or pneumatic seat-height adjustment and tilt lock feature. The chair is available with casters or glides. The chair with glides includes 1/2" (GD) glides for hard floors or carpet.

**Notes**

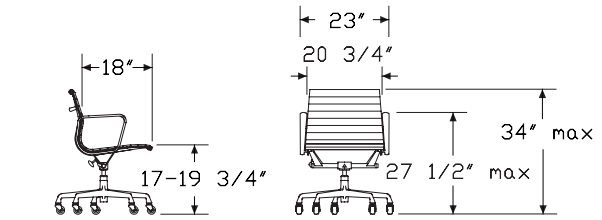
Chair is tested and warranted for use by persons 300 pounds and under. When chair is specified with Cygnus™ mesh, it meets CAL 133 requirements.

Chair sizes shown in illustrations are nominal.

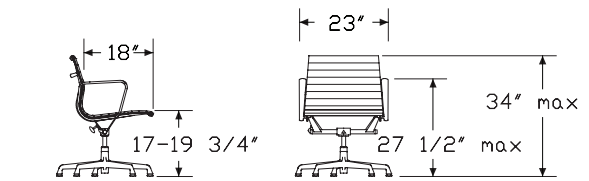
For description of casters and glides, see Casters and Glides in Appendices.

Customer's Own Material (COM) requires 1 1/3 yards. Customer's Own Leather (COL) requires 45 square feet. See Order Information in Appendices.

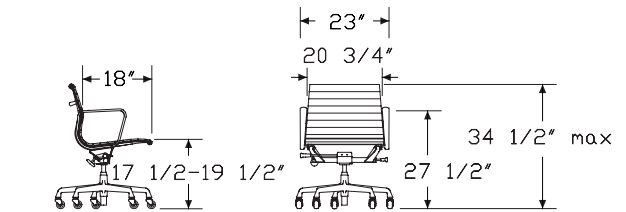
**Dimensions**



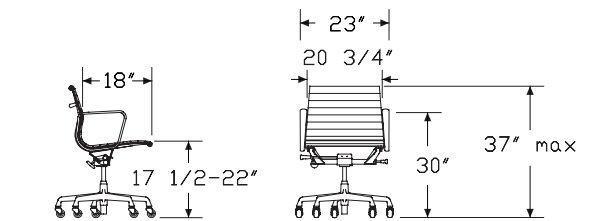
Casters



Glides



Pneumatic, standard-height range



Pneumatic, extended-height range

HermanMiller Collection—Work Chairs

# Eames® Aluminum Group Management Chair *continued*

## Specification Information

### Step 1.

**EA33** A

### Step 2. Casters/Glides/Seat-Height Adjustment

<b>5</b>	casters with manual seat-height adjustment
<b>4</b>	glides with manual seat-height adjustment <span style="border: 1px solid black; padding: 0 2px;">A</span>
<b>5P</b>	casters with pneumatic seat-height adjustment, standard-height range with tilt lock
<b>5E</b>	casters with pneumatic seat-height adjustment, extended-height range with tilt lock <span style="border: 1px solid black; padding: 0 2px;">A</span>
<b>5N</b>	casters with manual seat-height adjustment, no arms
<b>5PN</b>	casters with pneumatic seat-height adjustment, no arms, standard-height range
<b>5EN</b>	casters with pneumatic seat-height adjustment, no arms, extended-height range <span style="border: 1px solid black; padding: 0 2px;">A</span>

### Prices for Steps 1-2.

<b>EA335</b>	\$1740
<b>EA334</b>	\$1740
<b>EA335P</b>	\$1910
<b>EA335E</b>	\$1980
<b>EA335N</b>	\$1300
<b>EA335PN</b>	\$1470
<b>EA335EN</b>	\$1540

### Step 3. Casters

*For casters with manual seat-height adjustment (5), casters with pneumatic seat-height adjustment, standard-height range with tilt lock (5P), casters with pneumatic seat-height adjustment, extended-height range with tilt lock (5E), casters with manual seat-height adjustment, no arms (5N), casters with pneumatic seat-height adjustment, no arms, standard-height range (5PN), or casters with pneumatic seat-height adjustment, no arms, extended-height range (5EN)*

<b>BSC</b>	2" soft double wheel caster, hard floors or carpet, black <span style="border: 1px solid black; padding: 0 2px;">A</span>	+\$0
<b>MD</b>	2" soft double wheel caster, hard floors or carpet, chrome	+\$0
<b>UD</b>	2" hard double wheel caster, carpet, black painted	+\$0
<b>VD</b>	2" hard double wheel caster, carpet, chrome	+\$0

### Step 4. Base Finish

<b>L</b>	polished aluminum	+\$0
<b>BK</b>	black <span style="border: 1px solid black; padding: 0 2px;">A</span>	+\$28
<b>G2</b>	graphite satin <span style="border: 1px solid black; padding: 0 2px;">A</span>	+\$28
<b>91</b>	white <span style="border: 1px solid black; padding: 0 2px;">A</span>	+\$28

### Step 5. Frame Finish

#### *For polished aluminum (L)*

<b>L</b>	polished aluminum	+\$0
----------	-------------------	------

#### *For black (BK)*

<b>BK</b>	black <span style="border: 1px solid black; padding: 0 2px;">A</span>	+\$107
-----------	---	--------

#### *For graphite satin (G2)*

<b>G2</b>	graphite satin <span style="border: 1px solid black; padding: 0 2px;">A</span>	+\$107
-----------	--	--------

#### *For white (91)*

<b>91</b>	white <span style="border: 1px solid black; padding: 0 2px;">A</span>	+\$107
-----------	---	--------

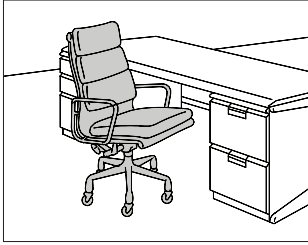
### Step 6. Fabric

*See application chart and textiles list for fabric usage and numbers.*

*First 2 digits of number indicate fabric line; remaining digit(s) indicate fabric color.*

Price Category 1	+\$0
Price Category 2	+\$48
Price Category 3	+\$90
Price Category 4	+\$138
Price Category (Geiger) 4	+\$138
Price Category 5	+\$170
Price Category (Geiger) 5	+\$170
Price Category 6	+\$205
Price Category 7 <span style="border: 1px solid black; padding: 0 2px;">A</span>	+\$180
Price Category (Geiger) 7	+\$180
Price Category 9	+\$591
Price Category (Geiger) 10	+\$668
Price Category 10M	+\$841
Price Category 11	+\$768
Price Category B	+\$39
Price Category C	+\$57
Price Category D	+\$78
Price Category E	+\$94
Price Category F	+\$122
Price Category G	+\$159
Price Category H	+\$193
Price Category I	+\$227
Price Category J	+\$261
Price Category K	+\$294
Price Category L	+\$328

Eames® Soft Pad Group Executive Chair EA437



**Product Information**

**Description**

This high-back chair with arms has a lightweight aluminum frame and 2"-thick upholstered foam cushions. It has a 5-star base with casters, tilt-swivel mechanism, and manual seat-height adjustment or pneumatic seat-height adjustment and tilt lock feature.

**Notes**

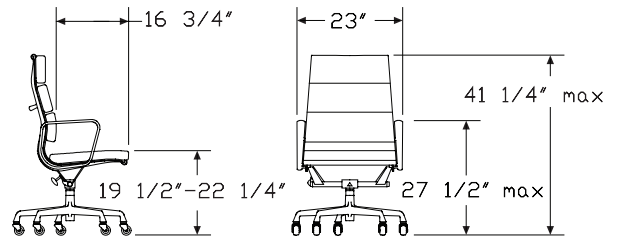
Chair is tested and warranted for use by persons 300 pounds and under.

Chair sizes shown in illustrations are nominal.

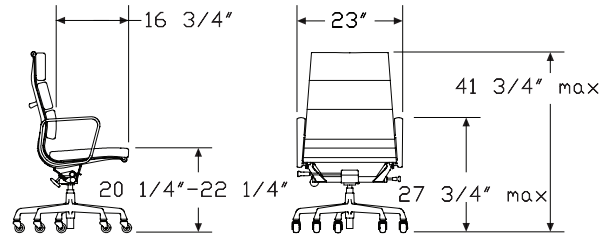
For description of casters, see Casters and Glides in Appendices.

Customer's Own Material (COM) requires 3 yards. Customer's Own Leather (COL) requires 56 square feet. See Order Information in Appendices.

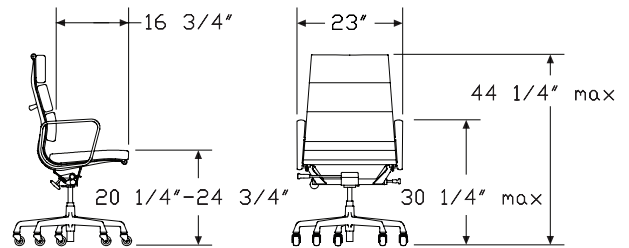
**Dimensions**



Manual



Pneumatic, standard-height range



Pneumatic, extended-height range

# Eames® Soft Pad Group Executive Chair *continued*

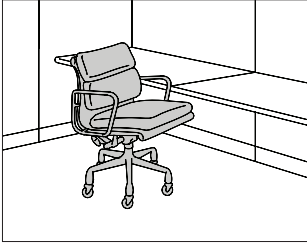
HermanMiller Collection—Work Chairs

Specification Information		
Step 1.		
<b>EA43</b>	<input type="checkbox"/> A	
Step 2. Seat-Height Adjustment		
<b>7</b>	manual seat-height adjustment	<input type="checkbox"/> A
<b>7P</b>	pneumatic seat-height adjustment, standard-height range with tilt lock	<input type="checkbox"/> A
<b>7E</b>	pneumatic seat-height adjustment, extended-height range with tilt lock	<input type="checkbox"/> A
Prices for Steps 1-2.		
<b>EA437</b>		\$3280
<b>EA437P</b>		\$3450
<b>EA437E</b>		\$3520
Step 3. Casters		
<b>BSC</b>	2" soft double wheel caster, hard floors or carpet, black	<input type="checkbox"/> A +\$0
<b>MD</b>	2" soft double wheel caster, hard floors or carpet, chrome	<input type="checkbox"/> A +\$0
<b>UD</b>	2" hard double wheel caster, carpet, black painted	<input type="checkbox"/> A +\$0
<b>VD</b>	2" hard double wheel caster, carpet, chrome	<input type="checkbox"/> A +\$0
Step 4. Base Finish		
<b>L</b>	polished aluminum	<input type="checkbox"/> A +\$0
<b>BK</b>	black	<input type="checkbox"/> A +\$28
<b>G2</b>	graphite satin	<input type="checkbox"/> A +\$28
<b>91</b>	white	<input type="checkbox"/> A +\$28
Step 5. Frame Finish		
<i>For polished aluminum (L)</i>		
<b>L</b>	polished aluminum	<input type="checkbox"/> A +\$0
<i>For black (BK)</i>		
<b>BK</b>	black	<input type="checkbox"/> A +\$107
<i>For graphite satin (G2)</i>		
<b>G2</b>	graphite satin	<input type="checkbox"/> A +\$107
<i>For white (91)</i>		
<b>91</b>	white	<input type="checkbox"/> A +\$107

Step 6. Fabric	
<i>See application chart and textiles list for fabric usage and numbers. First 2 digits of number indicate fabric line; remaining digit(s) indicate fabric color.</i>	
Price Category 1	+\$0
Price Category 2	+\$70
Price Category 3	+\$164
Price Category (Geiger) 3	+\$164
Price Category 4	+\$262
Price Category 5	+\$329
Price Category (Geiger) 5	+\$329
Price Category 6	+\$396
Price Category 7	+\$349
Price Category (Geiger) 7	+\$349
Price Category 9	+\$608
Price Category (Geiger) 10	+\$680
Price Category 10M	+\$1094
Price Category 11	+\$936
Price Category B	+\$99
Price Category C	+\$132
Price Category D	+\$176
Price Category E	+\$213
Price Category F	+\$275
Price Category G	+\$358
Price Category H	+\$435
Price Category I	+\$511
Price Category J	+\$588
Price Category K	+\$664
Price Category L	+\$740
Price Category M	+\$817
Price Category N	+\$893
Price Category P	+\$1046

Eames® Soft Pad Group  
Management Chair

EA434  
EA435



**Product Information**

**Description**

This low-back chair has a lightweight aluminum frame, 2"-thick upholstered foam cushions, and comes with or without arms. It has a 5-star base, tilt-swivel mechanism, and manual seat-height adjustment or pneumatic seat-height adjustment and tilt lock feature. The chair is available with casters or glides. The chair with glides includes 1/2" (GD) glides for hard floors or carpet.

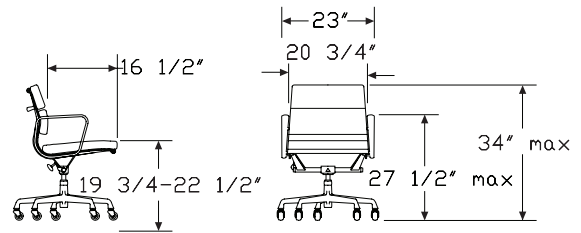
**Notes**

Chair is tested and warranted for use by persons 300 pounds and under. Chair sizes shown in illustrations are nominal.

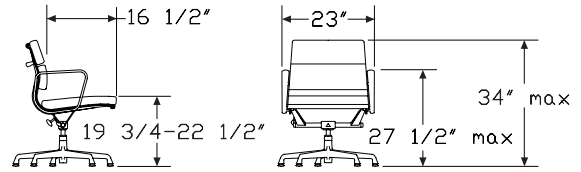
For description of casters and glides, see Casters and Glides in Appendices.

Customer's Own Material (COM) requires 2 1/2 yards. Customer's Own Leather (COL) requires 45 square feet. See Order Information in Appendices.

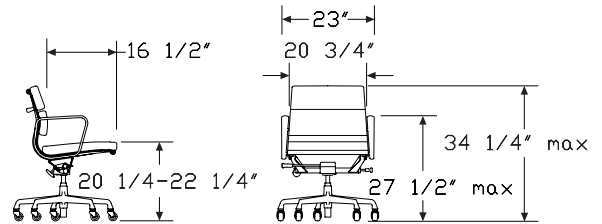
**Dimensions**



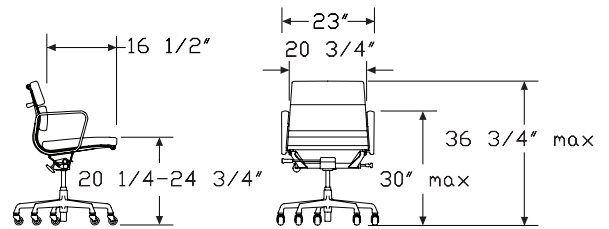
Casters



Glides



Pneumatic, standard-height range



Pneumatic, extended-height range

# Eames® Soft Pad Group Management Chair *continued*

## Specification Information

### Step 1.

**EA43** A

### Step 2. Casters/Glides/Seat-Height Adjustment

- 5** casters with manual seat-height adjustment A
- 4** glides with manual seat-height adjustment A
- 5P** casters with pneumatic seat-height adjustment, standard-height range with tilt lock A
- 5E** casters with pneumatic seat-height adjustment, extended-height range with tilt lock A
- 5N** casters with manual seat-height adjustment, no arms A
- 5PN** casters with pneumatic seat-height adjustment, no arms, standard-height range A
- 5EN** casters with pneumatic seat-height adjustment, no arms, extended-height range A

### Prices for Steps 1-2.

<b>EA435</b>	\$2740
<b>EA434</b>	\$2740
<b>EA435P</b>	\$2920
<b>EA435E</b>	\$2990
<b>EA435N</b>	\$2300
<b>EA435PN</b>	\$2480
<b>EA435EN</b>	\$2550

### Step 3. Casters

*For casters with manual seat-height adjustment (5), casters with pneumatic seat-height adjustment, standard-height range with tilt lock (5P), casters with pneumatic seat-height adjustment, extended-height range with tilt lock (5E), casters with manual seat-height adjustment, no arms (5N), casters with pneumatic seat-height adjustment, no arms, standard-height range (5PN), or casters with pneumatic seat-height adjustment, no arms, extended-height range (5EN)*

<b>BSC</b>	2" soft double wheel caster, hard floors or carpet, black <span style="border: 1px solid black; padding: 0 2px;">A</span>	+\$0
<b>MD</b>	2" soft double wheel caster, hard floors or carpet, chrome <span style="border: 1px solid black; padding: 0 2px;">A</span>	+\$0
<b>UD</b>	2" hard double wheel caster, carpet, black painted <span style="border: 1px solid black; padding: 0 2px;">A</span>	+\$0
<b>VD</b>	2" hard double wheel caster, carpet, chrome <span style="border: 1px solid black; padding: 0 2px;">A</span>	+\$0

### Step 4. Base Finish

<b>L</b>	polished aluminum <span style="border: 1px solid black; padding: 0 2px;">A</span>	+\$0
<b>BK</b>	black <span style="border: 1px solid black; padding: 0 2px;">A</span>	+\$28
<b>G2</b>	graphite satin <span style="border: 1px solid black; padding: 0 2px;">A</span>	+\$28
<b>91</b>	white <span style="border: 1px solid black; padding: 0 2px;">A</span>	+\$28

### Step 5. Frame Finish

#### *For polished aluminum (L)*

<b>L</b>	polished aluminum <span style="border: 1px solid black; padding: 0 2px;">A</span>	+\$0
----------	---	------

#### *For black (BK)*

<b>BK</b>	black <span style="border: 1px solid black; padding: 0 2px;">A</span>	+\$107
-----------	---	--------

#### *For graphite satin (G2)*

<b>G2</b>	graphite satin <span style="border: 1px solid black; padding: 0 2px;">A</span>	+\$107
-----------	--	--------

#### *For white (91)*

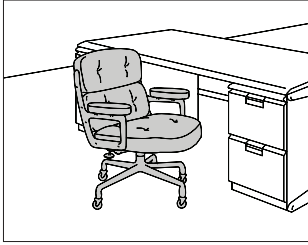
<b>91</b>	white <span style="border: 1px solid black; padding: 0 2px;">A</span>	+\$107
-----------	---	--------

### Step 6. Fabric

*See application chart and textiles list for fabric usage and numbers.*

*First 2 digits of number indicate fabric line; remaining digit(s) indicate fabric color.*

Price Category 1	+\$0
Price Category 2	+\$70
Price Category 3	+\$152
Price Category (Geiger) 3	+\$152
Price Category 4	+\$234
Price Category 5	+\$282
Price Category (Geiger) 5	+\$282
Price Category 6	+\$329
Price Category 7	+\$288
Price Category (Geiger) 7	+\$288
Price Category 9	+\$574
Price Category (Geiger) 10	+\$649
Price Category 10M	+\$879
Price Category 11	+\$768
Price Category B	+\$64
Price Category C	+\$80
Price Category D	+\$0
Price Category E	+\$175
Price Category F	+\$245
Price Category G	+\$314
Price Category H	+\$418
Price Category I	+\$523
Price Category J	+\$621
Price Category K	+\$708
Price Category L	+\$796
Price Category M	+\$883
Price Category N	+\$0
Price Category P	+\$0



**Product Information**

**Description**

This upholstered chair has contoured seat and back cushions and padded armrests. The seat has a 4 1/2"-thick foam cushion and the back has 2 3"-thick foam cushions. It has a 5-star base, tilt-swivel mechanism, and seat-height adjustment. The chair is available with casters or glides. The chair with glides includes 1/2" (GD) glides for hard floors or carpet.

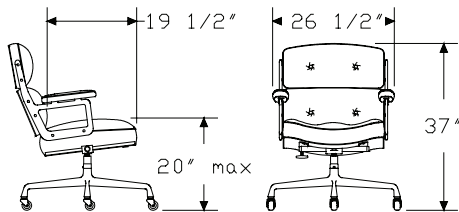
**Notes**

Chair is tested and warranted for use by persons 300 pounds and under. For description of casters and glides, see Casters and Glides in Appendices.

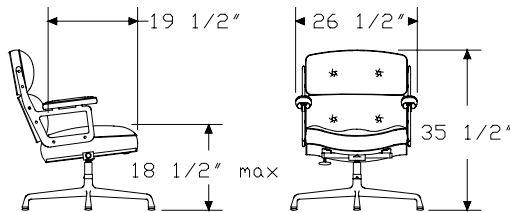
Customer's Own Material (COM) requires 3 yards. Customer's Own Leather (COL) requires 52 square feet. See Order Information in Appendices.

**Dimensions**

Casters



Glides



**Specification Information**

Step 1.

**ES204** A \$4063

Step 2. Casters/Glides

<b>BSC</b>	2" soft double wheel caster, hard floors or carpet, black <span style="border: 1px solid black; padding: 0 2px;">A</span>	+\$0
<b>GD</b>	1/2" glide, hard floors or carpet <span style="border: 1px solid black; padding: 0 2px;">A</span>	+\$0
<b>MD</b>	2" soft double wheel caster, hard floors or carpet, chrome <span style="border: 1px solid black; padding: 0 2px;">A</span>	+\$0
<b>UD</b>	2" hard double wheel caster, carpet, black painted <span style="border: 1px solid black; padding: 0 2px;">A</span>	+\$0
<b>VD</b>	2" hard double wheel caster, carpet, chrome <span style="border: 1px solid black; padding: 0 2px;">A</span>	+\$0

Step 3. Base Finish

<b>L</b>	polished aluminum <span style="border: 1px solid black; padding: 0 2px;">A</span>	+\$0
<b>BK</b>	black <span style="border: 1px solid black; padding: 0 2px;">A</span>	+\$17
<b>G2</b>	graphite satin <span style="border: 1px solid black; padding: 0 2px;">A</span>	+\$17
<b>91</b>	white <span style="border: 1px solid black; padding: 0 2px;">A</span>	+\$22

Step 4. Frame Finish

*For polished aluminum (L)*

**L** polished aluminum A +\$0

*For black (BK)*

**BK** black A +\$66

*For graphite satin (G2)*

**G2** graphite satin A +\$66

*For white (91)*

**91** white A +\$82

Step 5. Fabric

See application chart and textiles list for fabric usage and numbers.

First 2 digits of number indicate fabric line; remaining digit(s) indicate fabric color.

Price Category 1	+\$0
Price Category 2	+\$72
Price Category 3	+\$164
Price Category (Geiger) 3	+\$164
Price Category 4	+\$262
Price Category (Geiger) 4	+\$262
Price Category 5	+\$329
Price Category (Geiger) 5	+\$329
Price Category 6	+\$0
Price Category (Geiger) 6	+\$332

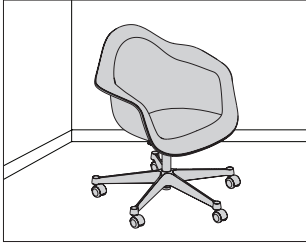
# Eames® Executive Chair *continued*

Price Category 7	+\$349
Price Category (Geiger) 7	+\$349
Price Category 9	+\$630
Price Category (Geiger) 10	+\$685
Price Category 10M	+\$1183
Price Category 11	+\$851
Price Category (Geiger) 11	+\$851
Price Category B	+\$99
Price Category C	+\$138
Price Category D	+\$176
Price Category E	+\$213
Price Category F	+\$275
Price Category G	+\$358
Price Category H	+\$435
Price Category I	+\$511
Price Category J	+\$588
Price Category K	+\$664
Price Category L	+\$740
Price Category M	+\$817
Price Category N	+\$893
Price Category O	+\$1270
Price Category P	+\$1046
Price Category Q	+\$1126
Price Category R	+\$2098
Price Category V	+\$2434



# Eames® Task Chair, Arm Shell

PACCF.  
PACCP.



## Product Information

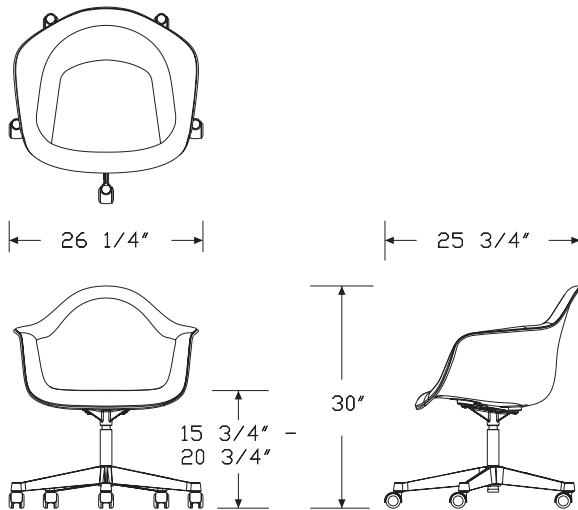
### Description

This task chair is an extension of the Eames® shell chair family, offering select shell and upholstery combinations on a 5-star base with a pneumatic height adjustment range of up to 5". The arm shell has a single-piece molded plastic or fiberglass shell with waterfall edges and available upholstery options. Shell color and upholstery options mirror the existing Eames Molded Plastic and Fiberglass Arm Chair portfolio. Task chair upholstered with textiles or leather is for indoor use only. Ships assembled.

### Notes

Customer's Own Material/Customer's Own Leather not available.  
5-star base has 1/2" glides (GD) for hard floors or carpet. For description of glide, see Casters & Glides in appendices.

### Dimensions



## Specification Information

### Step 1.

**PACC**  A

### Step 2. Material

**P.** plastic  A

**F.** fiberglass  A

### Step 3. Upholstery

**N** nonupholstered  A

**P** upholstered seat pad  A

**U** fully upholstered shell  A

### Prices for Steps 1-3.

<b>PACCP. N</b>	\$935
<b>P</b>	\$1005
<b>U</b>	\$1045
<b>PACCF. N</b>	\$1215
<b>P</b>	\$1285
<b>U</b>	\$1325

### Step 4. Back Finish

#### For plastic (P.)

<b>4T</b>	aqua sky <input type="checkbox"/> A	+\$0
<b>9J</b>	sparrow <input type="checkbox"/> A	+\$0
<b>ZA</b>	black <input type="checkbox"/> A	+\$0
<b>ZE</b>	red orange <input type="checkbox"/> A	+\$0
<b>ZF</b>	white <input type="checkbox"/> A	+\$0
<b>ZM</b>	alpine <input type="checkbox"/> A	+\$0
<b>PYW</b>	pale yellow <input type="checkbox"/> A	+\$0
<b>BLE</b>	blue ice <input type="checkbox"/> A	+\$0
<b>BLH</b>	blush <input type="checkbox"/> A	+\$0
<b>PBL</b>	peacock blue <input type="checkbox"/> A	+\$0
<b>STN</b>	stone <input type="checkbox"/> A	+\$0
<b>KGR</b>	kelly green <input type="checkbox"/> A	+\$0
<b>CHL</b>	charcoal <input type="checkbox"/> A	+\$0

# Eames® Task Chair, Arm Shell

continued

HermanMiller Collection—Work Chairs

---

*For fiberglass (F.)*

<b>111</b>	parchment <input type="checkbox"/>	+\$0
<b>112</b>	elephant hide grey <input type="checkbox"/>	+\$0
<b>113</b>	ultramarine blue <input type="checkbox"/>	+\$0
<b>114</b>	red orange <input type="checkbox"/>	+\$0
<b>115</b>	lemon yellow <input type="checkbox"/>	+\$0
<b>116</b>	green <input type="checkbox"/>	+\$0
<b>117</b>	navy blue <input type="checkbox"/>	+\$0
<b>118</b>	black <input type="checkbox"/>	+\$0
<b>119</b>	seal brown <input type="checkbox"/>	+\$0

---

Step 5. Edge Finish

*For fully upholstered shell (U)*

<b>111</b>	parchment <input type="checkbox"/>	+\$0
<b>BK</b>	black <input type="checkbox"/>	+\$0
<b>ZF</b>	white <input type="checkbox"/>	+\$0

---

Step 6. Fabric

*For upholstered seat pad (P)*

Price Category 1 <input type="checkbox"/>	+\$0
Price Category 2	+\$35
Price Category 4	+\$33
Price Category 5	+\$35
Price Category 9	+\$209
Price Category 11	+\$254
Price Category B	+\$30
Price Category G	+\$170
Price Category H	+\$210
Price Category K	+\$380

---

*For fully upholstered shell (U)*

Price Category 1 <input type="checkbox"/>	+\$0
Price Category 2	+\$25
Price Category 5	+\$35
Price Category B	+\$30
Price Category H	+\$210
Price Category K	+\$380

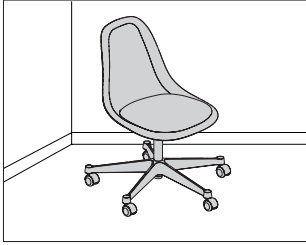
---

Step 7. Casters

<b>MD</b>	2" soft double wheel caster, hard floors or carpet, chrome <input type="checkbox"/>	+\$0
<b>VD</b>	2" hard double wheel caster, carpet, chrome <input type="checkbox"/>	+\$0
<b>BSC</b>	2" soft double wheel caster, hard floors or carpet, black <input type="checkbox"/>	+\$0
<b>UD</b>	2" hard double wheel caster, carpet, black painted <input type="checkbox"/>	+\$0

# Eames® Task Chair, Side Shell

PSCCD.  
PSCCF.  
PSCCP.  
PSCCR.



### Product Information

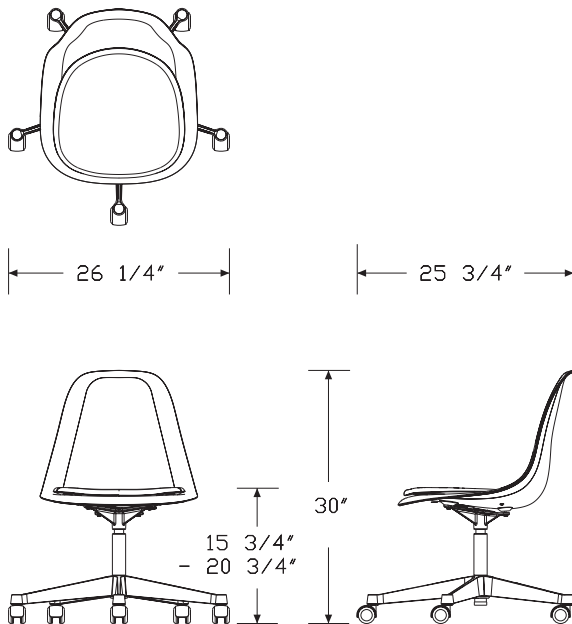
#### Description

This task chair is an extension of the Eames® shell chair family, offering select shell and upholstery combinations on a 5-star base with a pneumatic height-adjustment range of up to 5". The plastic, fiberglass and wood side chairs have a single-piece molded shell with waterfall edges and available upholstery options. The wire shell is available with upholstered seat and back or with upholstered seat only. Wire shell is available in trivalent chrome or powder-coated white or black. Task chair upholstered with textiles or leather is for indoor use only. Ships assembled.

#### Notes

Customer's Own Material/Customer's Own Leather not available.  
5-star base has 1/2" glides (GD) for hard floors or carpet. For description of glide, see Casters & Glides in appendices.

#### Dimensions



### Specification Information

#### Step 1.

**PSCC**  A

#### Step 2. Material

- P.** plastic  A
- F.** fiberglass  A
- D.** wood  A
- R.** wire  A

#### Step 3. Upholstery

#### For plastic (P.) or fiberglass (F.)

- N** nonupholstered  A
- P** upholstered seat pad  A
- U** fully upholstered shell  A

#### For wood (D.)

- N** nonupholstered  A
- P** upholstered seat pad  A

#### For wire (R.)

- 2** wire shell/upholstered seat/back  A
- 5** wire shell/upholstered seat/wire back  A

#### Prices for Steps 1-3.

<b>PSCCP. N</b>	\$795
<b>P</b>	\$865
<b>U</b>	\$905
<b>PSCCF. N</b>	\$1075
<b>P</b>	\$1145
<b>U</b>	\$1185
<b>PSCCD. N</b>	\$1310
<b>P</b>	\$1380
<b>PSCCR. 2</b>	\$1710
<b>5</b>	\$1360

# Eames® Task Chair, Side Shell

continued

HermanMiller Collection—Work Chairs

## Step 4. Back Finish

### For plastic (P.)

<b>4T</b>	aqua sky <input type="checkbox"/>	+\$0
<b>9J</b>	sparrow <input type="checkbox"/>	+\$0
<b>ZA</b>	black <input type="checkbox"/>	+\$0
<b>ZE</b>	red orange <input type="checkbox"/>	+\$0
<b>ZF</b>	white <input type="checkbox"/>	+\$0
<b>ZM</b>	alpine <input type="checkbox"/>	+\$0
<b>PYW</b>	pale yellow <input type="checkbox"/>	+\$0
<b>BLE</b>	blue ice <input type="checkbox"/>	+\$0
<b>BLH</b>	blush <input type="checkbox"/>	+\$0
<b>PBL</b>	peacock blue <input type="checkbox"/>	+\$0
<b>STN</b>	stone <input type="checkbox"/>	+\$0
<b>KGR</b>	kelly green <input type="checkbox"/>	+\$0
<b>CHL</b>	charcoal <input type="checkbox"/>	+\$0

### For fiberglass (F.)

<b>111</b>	parchment <input type="checkbox"/>	+\$0
<b>112</b>	elephant hide grey <input type="checkbox"/>	+\$0
<b>113</b>	ultramarine blue <input type="checkbox"/>	+\$0
<b>114</b>	red orange <input type="checkbox"/>	+\$0
<b>115</b>	lemon yellow <input type="checkbox"/>	+\$0
<b>116</b>	green <input type="checkbox"/>	+\$0
<b>117</b>	navy blue <input type="checkbox"/>	+\$0
<b>118</b>	black <input type="checkbox"/>	+\$0
<b>119</b>	seal brown <input type="checkbox"/>	+\$0

### For wood (D.)

<b>9N</b>	santos palisander <input type="checkbox"/>	+\$289
<b>A2</b>	white ash <input type="checkbox"/>	+\$116
<b>EN</b>	ebony <input type="checkbox"/>	+\$116
<b>OU</b>	walnut <input type="checkbox"/>	+\$0

### For wire (R.)

<b>47</b>	trivalent chrome <input type="checkbox"/>	+\$20
<b>91</b>	white <input type="checkbox"/>	+\$0
<b>BK</b>	black <input type="checkbox"/>	+\$0

## Step 5. Edge Finish

### For fully upholstered shell (U)

<b>111</b>	parchment <input type="checkbox"/>	+\$0
<b>BK</b>	black <input type="checkbox"/>	+\$0
<b>ZF</b>	white <input type="checkbox"/>	+\$0

## Step 6. Fabric

### For upholstered seat pad (P)

Price Category 1 <input type="checkbox"/>	+\$0
Price Category 2	+\$25
Price Category 4	+\$33
Price Category 5	+\$35
Price Category 9	+\$209
Price Category 11	+\$254
Price Category B	+\$30
Price Category G	+\$170
Price Category H	+\$210
Price Category K	+\$380

### For fully upholstered shell (U)

Price Category 1 <input type="checkbox"/>	+\$0
Price Category 2	+\$25
Price Category 5	+\$35
Price Category B	+\$30
Price Category H	+\$210
Price Category K	+\$380

### For wire shell/upholstered seat/back (2)

Price Category 5	+\$59
Price Category 9	+\$209
Price Category 11	+\$254
Price Category D	+\$59
Price Category K	+\$380

### For wire shell/upholstered seat/wire back (5)

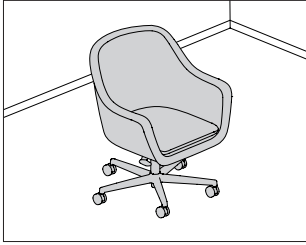
Price Category 2	+\$25
Price Category 4	+\$33
Price Category 5	+\$59
Price Category 9	+\$209
Price Category 11	+\$254
Price Category D	+\$59
Price Category G	+\$170
Price Category H	+\$210
Price Category K	+\$380

## Step 7. Casters

<b>MD</b>	2" soft double wheel caster, hard floors or carpet, chrome <input type="checkbox"/>	+\$0
<b>VD</b>	2" hard double wheel caster, carpet, chrome <input type="checkbox"/>	+\$0
<b>BSC</b>	2" soft double wheel caster, hard floors or carpet, black <input type="checkbox"/>	+\$0
<b>UD</b>	2" hard double wheel caster, carpet, black painted <input type="checkbox"/>	+\$0

# Bumper Conference Chair

SBR5N



### Product Information

#### Description

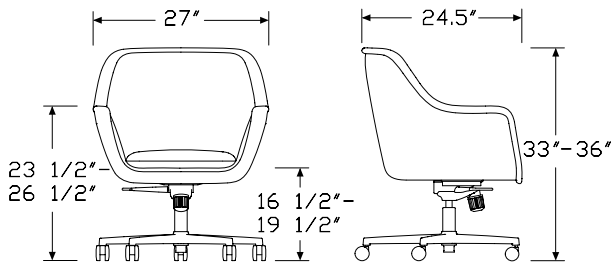
This conference chair has upholstered inner and outer shells and arm cap, each made from one continuous piece of fabric or leather, and an upholstered seat cushion. The frame is rigid molded urethane with foam inserts, and seat and back are FR foam over rigid inserts. The 5-star swivel base is polished cast aluminum, available with several dual-wheel caster options.

#### Notes

Customers Own Material (COM) requires 2½ yards for the shell inside and outside, an additional 1¾ yards for the arm cap and cushion, or 4¼ yards when specify entire chair in the same fabric. See Order Information in Appendices.

Customers Own Leather (COL) requires 45 square feet for the shell inside and outside, an additional 31½ square feet for the arm cap and cushion, or 76½ yards when specify entire chair in the same leather. See Order Information in Appendices.

#### Dimensions



### Specification Information

#### Step 1.

**SBR5N** [A] \$1951

#### Step 2. Shell Upholstery

Price Category 1	+\$0
Price Category (Geiger) 2	+\$118
Price Category 2	+\$118
Price Category (Geiger) 3	+\$148
Price Category 3	+\$148
Price Category (Geiger) 4	+\$180
Price Category 4	+\$180
Price Category (Geiger) 5	+\$263
Price Category 5	+\$263
Price Category (Geiger) 6	+\$345
Price Category (Geiger) 7	+\$428
Price Category (Geiger) 8	+\$655
Price Category 9	+\$813
Price Category (Geiger) 10	+\$935
Price Category (Geiger) 11	+\$1048
Price Category 11	+\$1048
Price Category (Geiger) 14	+\$0
Price Category (Geiger) C	+\$133
Price Category (Geiger) D	+\$175
Price Category (Geiger) E	+\$213
Price Category (Geiger) F	+\$255
Price Category (Geiger) G	+\$348
Price Category (Geiger) H	+\$433
Price Category (Geiger) I	+\$523
Price Category (Geiger) J	+\$613
Price Category (Geiger) K	+\$703
Price Category (Geiger) L	+\$793
Price Category (Geiger) M	+\$883
Price Category (Geiger) N	+\$973
Price Category (Geiger) O	+\$1063
Price Category (Geiger) P	+\$1150
Price Category (Geiger) Q	+\$1328
Price Category (Geiger) R	+\$1850
Price Category (Geiger) S	+\$1988
Price Category (Geiger) T	+\$2125
Price Category (Geiger) U	+\$2263
Price Category (Geiger) X	+\$2675
Price Category (Geiger) Y	+\$2813
Price Category (Geiger) COL [A]	+\$135
Price Category (Geiger) COM [A]	+\$0

# Bumper Conference Chair *continued*

## Step 3. Arm Cap and Cushion Upholstery

Price Category 1	+\$0
Price Category (Geiger) 2	+\$0
Price Category 2	+\$82
Price Category (Geiger) 3	+\$103
Price Category 3	+\$103
Price Category (Geiger) 4	+\$126
Price Category 4	+\$126
Price Category (Geiger) 5	+\$184
Price Category 5	+\$184
Price Category (Geiger) 6	+\$242
Price Category (Geiger) 7	+\$299
Price Category (Geiger) 8	+\$459
Price Category 9	+\$569
Price Category (Geiger) 10	+\$655
Price Category (Geiger) 11	+\$733
Price Category 11	+\$733
Price Category (Geiger) 14	+\$0
Price Category (Geiger) C	+\$93
Price Category (Geiger) D	+\$123
Price Category (Geiger) E	+\$149
Price Category (Geiger) F	+\$179
Price Category (Geiger) G	+\$243
Price Category (Geiger) H	+\$303
Price Category (Geiger) I	+\$366
Price Category (Geiger) J	+\$429
Price Category (Geiger) K	+\$492
Price Category (Geiger) L	+\$555
Price Category (Geiger) M	+\$618
Price Category (Geiger) O	+\$744
Price Category (Geiger) P	+\$805
Price Category (Geiger) Q	+\$929
Price Category (Geiger) R	+\$1295
Price Category (Geiger) S	+\$1391
Price Category (Geiger) X	+\$1873
Price Category (Geiger) Y	+\$1969
Price Category (Geiger) COM <input type="checkbox"/>	+\$0
Price Category (Geiger) COL <input type="checkbox"/>	+\$306

## Step 4. Base Finish

<b>CD</b> polished aluminum <input type="checkbox"/>	+\$0
--	------

## Step 5. Caster Option

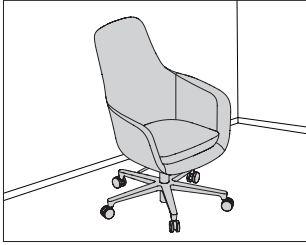
<b>AA</b> 2½" hard double wheel caster, polished cast aluminum yoke, carpet <input type="checkbox"/>	+\$35
<b>BB</b> 2½" hard caster, black yoke, carpet only <input type="checkbox"/>	+\$0
<b>C7</b> 2½" caster, black yoke, hard floors or carpet <input type="checkbox"/>	+\$35

## Step 6. Fire Retardancy

<b>NOCAL</b> not fire retardant <input type="checkbox"/>	+\$0
<b>133</b> fire retardant <input type="checkbox"/>	+\$276

# Saiba Multitask Chair

SBN3H  
SBN3M



### Product Information

#### Description

This swivel chair has a high back or mid back and a 5-star base with dual wheel casters. It has a tilt mechanism with lock and an adjustable height range of 4 1/4". Seat frame is rigid urethane with polyurethane foam. Cushion is high density FR foam.

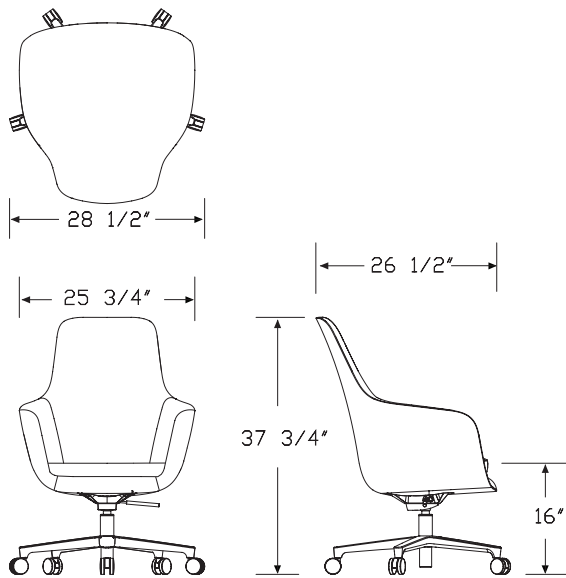
#### Notes

Cylinder and mechanism color will match base finish.

Casters available only in black.

Customer's Own Material (COM) requires 3 yards for high back (H) or 2 3/4 yards for mid back (M). Customer's Own Leather (COL) requires 54 square feet for high back (H) or 49 1/2 square feet for mid back (M). See Order Information in appendices.

### Dimensions



### Specification Information

#### Step 1.

**SBN3**

#### Step 2. Back Height

**M** mid back

**H** high back

#### Prices for Steps 1-2.

<b>SBN3M</b>	\$2150
<b>SBN3H</b>	\$2250

#### Step 3. Upholstery

	<b>M</b>	<b>H</b>
Price Category (Geiger) COL <input type="checkbox"/>	+\$0	0
Price Category (Geiger) COM <input type="checkbox"/>	+\$0	0
Price Category 1	+\$0	0
Price Category 2	+\$129	177
Price Category (Geiger) 3	+\$162	177
Price Category 3	+\$162	177
Price Category (Geiger) 4	+\$198	216
Price Category (Geiger) 5	+\$289	315
Price Category 5	+\$289	315
Price Category (Geiger) 7	+\$470	513
Price Category 9	+\$894	975
Price Category (Geiger) 10	+\$1029	1122
Price Category (Geiger) 11	+\$1152	1257
Price Category 11	+\$1152	1257
Price Category (Geiger) H	+\$476	519

#### Step 4. Base Finish

<b>BK</b> black <input type="checkbox"/>	+\$0
<b>CD</b> polished aluminum <input type="checkbox"/>	+\$0

#### Step 5. Caster Option

<b>BB</b> hard dual wheels, black yoke <input type="checkbox"/>	+\$0
<b>C7</b> soft dual wheels, black yoke <input type="checkbox"/>	+\$35

#### Step 6. Fire Retardancy

	<b>M</b>	<b>H</b>
<b>NOCAL</b> no cal-133 required <input type="checkbox"/>	+\$0	0
<b>133</b> cal-133 required <input type="checkbox"/>	+\$179	195

# Taper Chair

SFA1P  
SFA1S  
SFA1T  
SFA2P  
SFA2S  
SFA2T



## Product Information

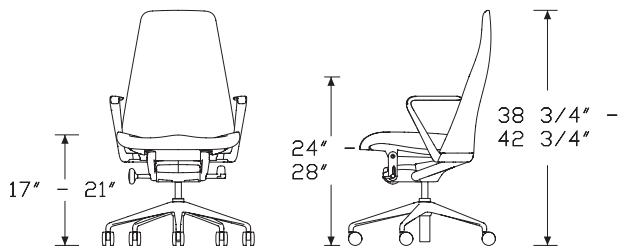
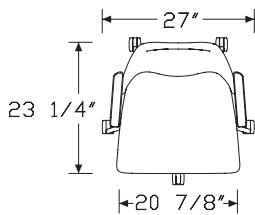
### Description

This upholstered executive chair has a contoured high back that provides zonal support. The tilt mechanism uses a pair of adjustable carbon fiber leaf springs that control resistance. The suspended seat uses SuperSeat™ technology to create a deep seat pocket and responsive surface. This chair has a 5-star base with casters and pneumatic seat height adjustment. Fixed-height arms can be specified with either urethane or upholstery options.

### Notes

Customer's Own Material (COM) requires 1¾ yards. Customer's Own Leather (COL) requires 31½ square feet. See Order Information in appendices.

### Dimensions



## Specification Information

### Step 1.

SF  A

### Step 2. Back Height

A high back, full function tilt  A

### Step 3. Arms

1 upholstered arms  A

2 urethane arms  A

### Step 4. Stitching Detail

P lapped edge with coordinating thread  A

S single stitch with contrasting thread  A

T single stitch with coordinating thread  A

### Prices for Steps 1-4.

<b>SFA1P</b>	\$1995
<b>SFA1S</b>	\$1945
<b>SFA1T</b>	\$1895
<b>SFA2P</b>	\$1875
<b>SFA2S</b>	\$1825
<b>SFA2T</b>	\$1775

### Step 5. Upholstery

#### For single stitch with coordinating thread (T)

Price Category (Geiger) 1	+\$0
Price Category (Geiger) 2	+\$86
Price Category (Geiger) COL <input type="checkbox"/> A	+\$126
Price Category (Geiger) COM <input type="checkbox"/> A	+\$0
Price Category (Geiger) 3	+\$104
Price Category (Geiger) 4	+\$126
Price Category (Geiger) 5	+\$184
Price Category (Geiger) 7	+\$300
Price Category 9	+\$569
Price Category (Geiger) 10	+\$655
Price Category (Geiger) 11	+\$734
Price Category 11	+\$734



## Taper Chair *continued*

---

### *For lapped edge with coordinating thread (P)*

Price Category (Geiger) 1	+\$0
Price Category (Geiger) 2	+\$86
Price Category (Geiger) COL <input type="checkbox"/> A	+\$126
Price Category 9	+\$569
Price Category (Geiger) 10	+\$655
Price Category (Geiger) 11	+\$734
Price Category 11	+\$734

---

### *For single stitch with contrasting thread (S)*

Price Category (Geiger) 1	+\$0
Price Category (Geiger) 2	+\$86
Price Category (Geiger) 4	+\$126
Price Category 9	+\$569
Price Category (Geiger) 10	+\$655
Price Category 11	+\$734
Price Category (Geiger) 11	+\$734

---

### Step 6. Arm Upholstery

#### *For upholstered arms (1)*

Price Category (Geiger) 4	+\$8
Price Category 9	+\$33
Price Category (Geiger) 10	+\$38
Price Category (Geiger) 11	+\$42
Price Category 11	+\$42
Price Category (Geiger) COL <input type="checkbox"/> A	+\$0

---

### Step 7. Arm/Base Finish

<b>CD</b> polished aluminum <input type="checkbox"/> A	+\$0
<b>G1</b> graphite <input type="checkbox"/> A	+\$0

---

### Step 8. Casters

<b>BB</b> 2½" hard caster, black yoke, carpet only <input type="checkbox"/> A	+\$0
<b>C7</b> 2½" caster, black yoke, hard floors or carpet <input type="checkbox"/> A	+\$35

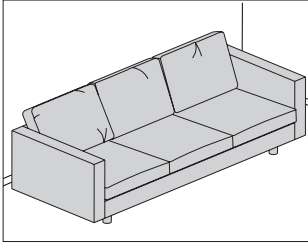
---

### Step 9. Fire Retardancy

<b>NOCAL</b> no cal-133 required <input type="checkbox"/> A	+\$0
---	------

# Lispenard Sofa

AL510



## Product Information

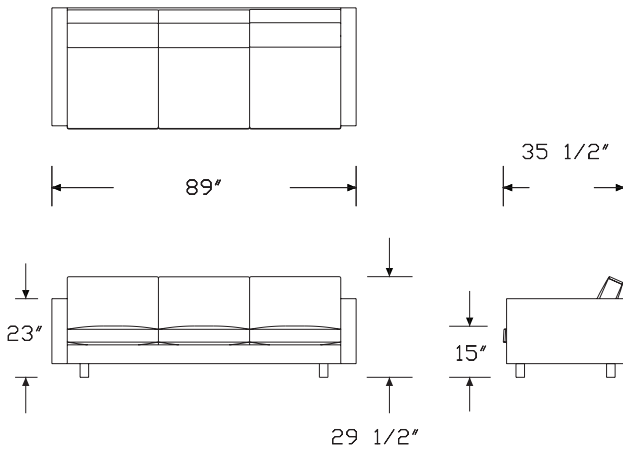
### Description

The 3-seat sofa cushion construction features a combination of duck feather and down. The sofa offers a sit height of 15" and a depth of 23 1/2" at a depth pitch of 1 1/4". The 4"-high rounded wooden legs are available in walnut and white oak finishes.

### Notes

Customer's Own Material (COM) requires 14 yards. Customer's Own Leather (COL) requires 167 square feet. See Order Information in appendices.

### Dimensions



HermanMiller Collection—Sofas

## Specification Information

### Step 1.

**AL51**

### Step 2. Configuration

**003** sofa

### Prices for Steps 1-2.

**AL51003** \$5310

### Step 3. Cushion Alignment

**A** attached cushions  +\$200

### Step 4. Leg Finish

**OU** walnut  +\$0

**LTO** light oak  +\$0

### Step 5. Fabric

Price Category 1  +\$0

Price Category 2 +\$102

Price Category 5 +\$920

Price Category 7 +\$1810

Price Category 9 +\$3740

Price Category 10 +\$3220

Price Category 11 +\$4240

Price Category 14 +\$5400

Price Category D +\$726

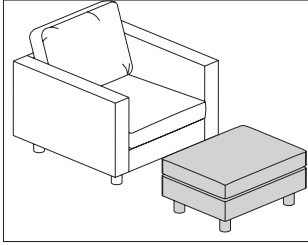
Price Category G +\$1474

Price Category H +\$1791

Price Category J +\$2420

# Lispenard Ottoman

AL510



### Product Information

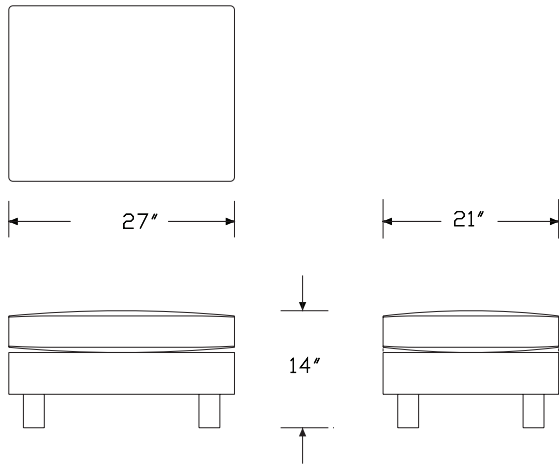
#### Description

The ottoman cushion construction features a combination of duck feather and down. Sit height is 14". Ottoman is rectangular and measures 21" x 27". The 4"-high rounded wooden legs are available in walnut and white oak finishes.

#### Notes

Customer's Own Material (COM) requires 3 yards. Customer's Own Leather (COL) requires 36 square feet. See Order Information in appendices.

#### Dimensions



### Specification Information

#### Step 1.

**AL51**  A

#### Step 2. Configuration

**004** ottoman  A

#### Prices for Steps 1-2.

**AL51004** \$1750

#### Step 3. Leg Finish

**OU** walnut  A +\$0

**LTO** light oak  A +\$0

#### Step 4. Fabric

Price Category 1  A +\$0

Price Category 2 +\$22

Price Category 5 +\$152

Price Category 7 +\$660

Price Category 9 +\$860

Price Category 10 +\$1120

Price Category 11 +\$1210

Price Category 14 +\$1870

Price Category D +\$156

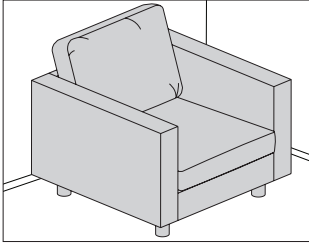
Price Category G +\$316

Price Category H +\$384

Price Category J +\$519

# Lispenard Chair

AL510



## Product Information

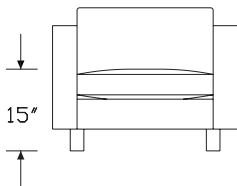
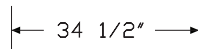
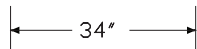
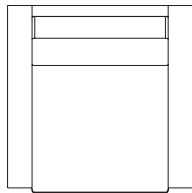
### Description

The armchair cushion construction features a combination of duck feather and down. The chair offers a sit height of 15" and a depth of 23 1/2" at a depth pitch of 1 1/4". The 4"-high rounded wooden legs are available in walnut and white oak finishes.

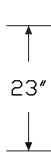
### Notes

Customer's Own Material (COM) requires 6 yards. Customer's Own Leather (COL) requires 85 square feet. See Order Information in appendices.

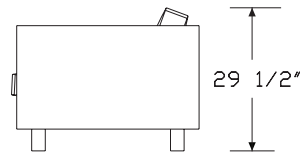
### Dimensions



15"



23"



29 1/2"

HermanMiller Collection—Sofas

## Specification Information

### Step 1.

**AL51**

### Step 2. Configuration

**000** armchair

### Prices for Steps 1-2.

**AL51000** \$3180

### Step 3. Cushion Alignment

**A** attached cushions  +\$70

### Step 4. Leg Finish

**OU** walnut  +\$0

**LTO** light oak  +\$0

### Step 5. Fabric

Price Category 1  +\$0

Price Category 2 +\$44

Price Category 5 +\$304

Price Category 7 +\$630

Price Category 9 +\$1980

Price Category 10 +\$1420

Price Category 11 +\$2240

Price Category 14 +\$2740

Price Category D +\$311

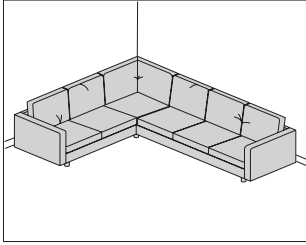
Price Category G +\$632

Price Category H +\$768

Price Category J +\$1037

# Lispenard Sectional

AL510



## Product Information

### Description

The corner sectional's cushion construction features a combination of duck feather and down. Sit height is 15" with a depth of 23½" at a depth pitch of 1¼". The 4"-high rounded wooden legs are available in walnut and white oak finishes.

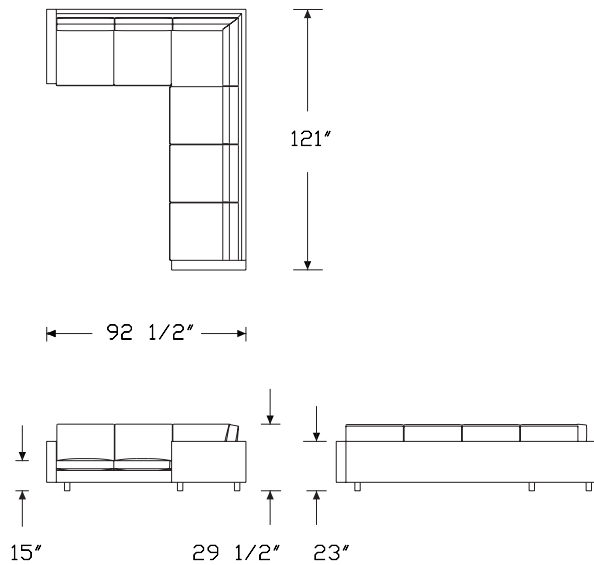
### Notes

For corner sectional, right (AL51005), right side dimension is 121" (longer side).

For corner sectional, left (AL51006), left side dimension is 121" (longer side).

Customer's Own Material (COM) requires 28 yards. Customer's Own Leather (COL) requires 336 square feet. See Order Information in appendices.

### Dimensions



## Specification Information

### Step 1.

**AL51**  A

### Step 2. Configuration

**005** corner sectional, right  A

**006** corner sectional, left  A

### Prices for Steps 1-2.

**AL51005** \$10860

**AL51006** \$10860

### Step 3. Cushion Alignment

**A** attached cushions  A +\$380

### Step 4. Leg Finish

**OU** walnut  A +\$0

**LTO** light oak  A +\$0

### Step 5. Fabric

Price Category 1  A +\$0

Price Category 2 +\$204

Price Category 5 +\$1417

Price Category 7 +\$2940

Price Category 9 +\$7550

Price Category 10 +\$5220

Price Category 11 +\$8550

Price Category 14 +\$8750

Price Category D +\$1453

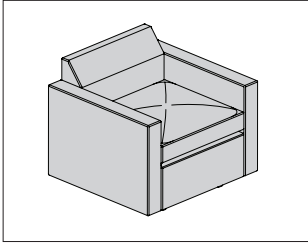
Price Category G +\$2947

Price Category H +\$3583

Price Category J +\$4840

# Bevel Club Chair

AL6C1



## Product Information

### Description

This chair features wood frame construction, fire retardant free foam and down topper. Legs are wood in ebony finish. Ganging hardware included.

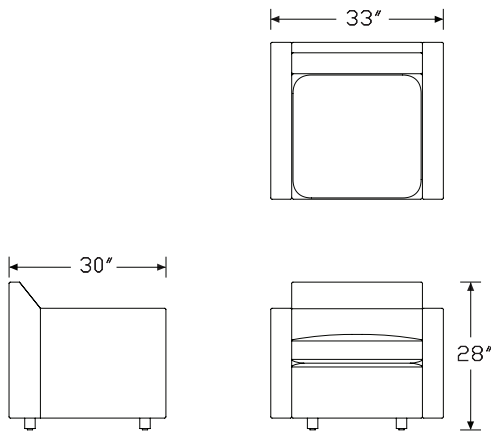
### Notes

Handedness is determined from a seated position.

Customer's Own Material (COM) requires 8 yards. Customer's Own Leather (COL) requires 144 square feet. See Order Information in Appendices.

Limited textile selection available. See application chart in appendices.

### Dimensions



HermanMiller Collection—Sofas

## Specification Information

### Step 1.

**AL6C**  A

### Step 2. Configuration

**1000** club chair  A

### Prices for Steps 1-2.

**AL6C1000** \$2822

### Step 3. Leg Finish

**EN** ebony  A +\$0

### Step 4. Fabric

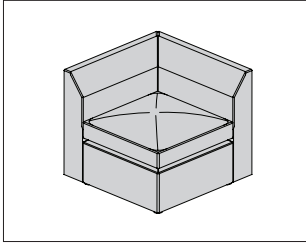
Price Category 1	+\$0
Price Category 2	+\$20
Price Category 3	+\$100
Price Category (Geiger) 3	+\$107
Price Category 4	+\$300
Price Category (Geiger) 4	+\$208
Price Category 5	+\$325
Price Category (Geiger) 5	+\$354
Price Category (Geiger) 6	+\$500
Price Category 7	+\$592
Price Category (Geiger) 7	+\$415
Price Category 9	+\$1479
Price Category (Geiger) 9	+\$1479
Price Category 10	+\$1245
Price Category 11	+\$1689
Price Category 14	+\$2155
Price Category D	+\$0
Price Category G	+\$947
Price Category H	+\$1152
Price Category J	+\$1556

### Step 5. Fire Retardancy

<b>NFR</b> not fire retardant <input type="checkbox"/> A	+\$0
<b>FR</b> fire retardant <input type="checkbox"/> A	+\$150

# Bevel Corner

AL6C1



### Product Information

#### Description

This corner features wood frame construction, fire retardant free foam and down topper. Legs are wood in ebony finish. Ganging hardware included.

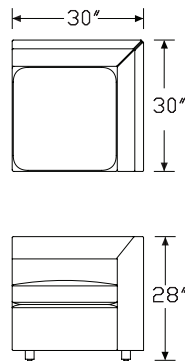
#### Notes

Handedness is determined from a seated position.

Customer's Own Material (COM) requires 8 yards. Customer's Own Leather (COL) requires 144 square feet. See Order Information in Appendices.

Limited textile selection available. See application chart in appendices.

#### Dimensions



### Specification Information

#### Step 1.

**AL6C**  A

#### Step 2. Configuration

**1005** corner  A

#### Prices for Steps 1-2.

**AL6C1005** \$2705

#### Step 3. Leg Finish

**EN** ebony  A +\$0

#### Step 4. Fabric

Price Category 1	+\$0
Price Category 2	+\$20
Price Category 3	+\$100
Price Category (Geiger) 3	+\$50
Price Category 4	+\$300
Price Category (Geiger) 4	+\$208
Price Category 5	+\$400
Price Category (Geiger) 5	+\$354
Price Category (Geiger) 6	+\$500
Price Category 7	+\$728
Price Category (Geiger) 7	+\$360
Price Category 9	+\$1245
Price Category (Geiger) 9	+\$1245
Price Category 10	+\$1219
Price Category 11	+\$1415
Price Category 14	+\$2155
Price Category D	+\$0
Price Category G	+\$663
Price Category H	+\$806
Price Category J	+\$1089

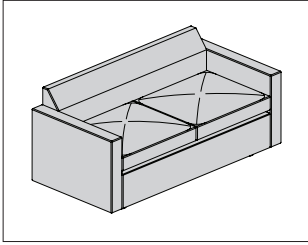
#### Step 5. Fire Retardancy

**NFR** not fire retardant  A +\$0

**FR** fire retardant  A +\$0

# Bevel Settee

AL6C1



## Product Information

### Description

This settee features wood frame construction, fire retardant free foam and down topper. It is available with or without arms or in left-arm or right-arm configuration. Legs are wood in ebony finish. Ganging hardware included. Shipped on end.

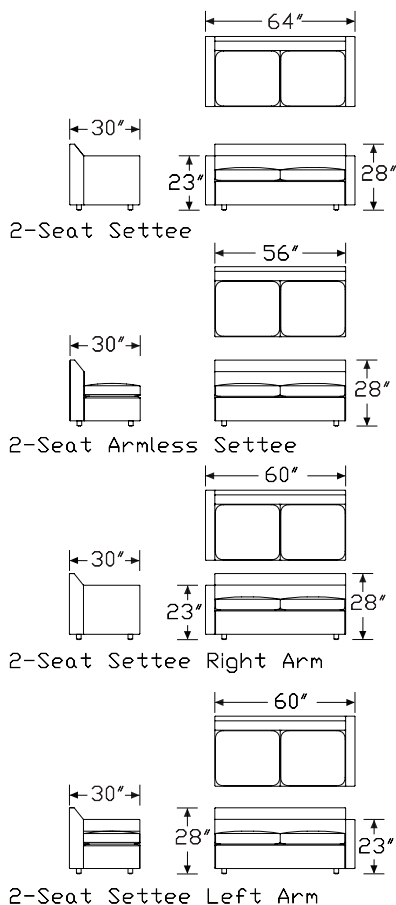
### Notes

Handedness is determined from a seated position.

Customer's Own Material (COM) requires 12 yards. Customer's Own Leather (COL) requires 216 square feet. See Order Information in Appendices.

Limited textile selection available. See application chart in appendices.

### Dimensions



## Specification Information

### Step 1.

**AL6C**  A

### Step 2. Configuration

**1002** 2-seat settee  A

**1002A** 2-seat armless settee  A

**1002R** 2-seat settee right arm  A

**1002L** 2-seat settee left arm  A

### Prices for Steps 1-2.

<b>AL6C1002</b>	\$3688
<b>AL6C1002A</b>	\$3264
<b>AL6C1002R</b>	\$3458
<b>AL6C1002L</b>	\$3458

### Step 3. Leg Finish

**EN** ebony  A +\$0

### Step 4. Fabric

Price Category 1	+\$0
Price Category 2	+\$40
Price Category 3	+\$200
Price Category (Geiger) 3	+\$76
Price Category 4	+\$300
Price Category (Geiger) 4	+\$253
Price Category 5	+\$415
Price Category (Geiger) 5	+\$430
Price Category (Geiger) 6	+\$607
Price Category 7	+\$755
Price Category (Geiger) 7	+\$554
Price Category 9	+\$2379
Price Category (Geiger) 9	+\$2379
Price Category 10	+\$1565
Price Category 11	+\$2709
Price Category 14	+\$2770
Price Category D	+\$0
Price Category G	+\$1405
Price Category H	+\$1727
Price Category J	+\$2255

### Step 5. Fire Retardancy

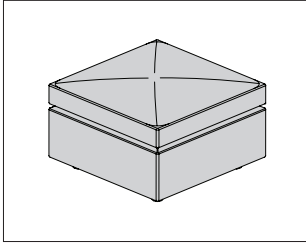
**NFR** not fire retardant  A +\$0

**FR** fire retardant  A +\$300



# Bevel Ottoman

AL6C0



### Product Information

#### Description

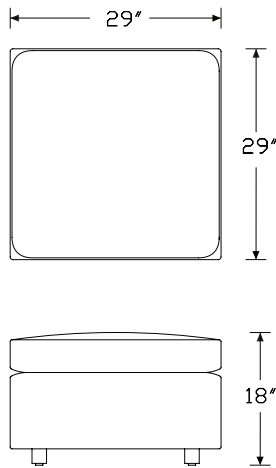
This ottoman features wood frame construction, fire retardant free foam and down topper. Legs are wood in ebony finish. Ganging hardware included.

#### Notes

Customer's Own Material (COM) requires 4 yards. Customer's Own Leather (COL) requires 72 square feet. See Order Information in Appendices.

Limited textile selection available. See application chart in appendices.

#### Dimensions



### Specification Information

#### Step 1.

**AL6C**  A

#### Step 2. Configuration

**0400** ottoman  A

#### Prices for Steps 1-2.

**AL6C0400** \$1952

#### Step 3. Leg Finish

**EN** ebony  A +\$0

#### Step 4. Fabric

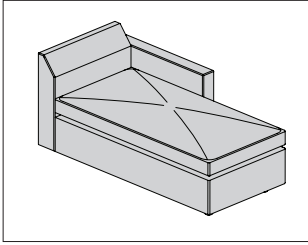
Price Category 1	+\$0
Price Category 2	+\$15
Price Category 3	+\$30
Price Category (Geiger) 3	+\$34
Price Category 4	+\$75
Price Category (Geiger) 4	+\$119
Price Category 5	+\$195
Price Category (Geiger) 5	+\$202
Price Category (Geiger) 6	+\$286
Price Category 7	+\$355
Price Category (Geiger) 7	+\$249
Price Category 9	+\$869
Price Category (Geiger) 9	+\$869
Price Category 10	+\$715
Price Category 11	+\$995
Price Category 14	+\$1239
Price Category D	+\$0
Price Category G	+\$474
Price Category H	+\$576
Price Category J	+\$778

#### Step 5. Fire Retardancy

<b>NFR</b> not fire retardant <input type="checkbox"/> A	+\$0
<b>FR</b> fire retardant <input type="checkbox"/> A	+\$100

# Bevel Chaise

AL6C1



## Product Information

### Description

This chaise features wood frame construction, fire retardant free foam and down topper. It is available in left-arm or right-arm configuration. Legs are wood in ebony finish. Ganging hardware included. Shipped on end.

### Notes

Handedness is determined from a seated position.

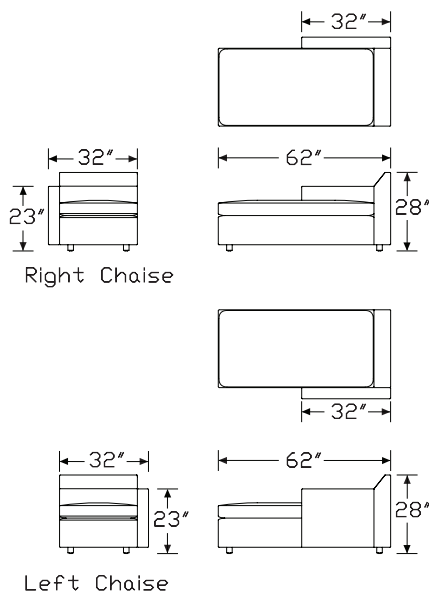
Customer's Own Material (COM) requires 8 yards. Customer's Own

Leather (COL) requires 144 square feet. See Order Information in

Appendices.

Limited textile selection available. See application chart in appendices.

## Dimensions



## Specification Information

### Step 1.

**AL6C**  A

### Step 2. Direction

**1004L** left chaise  A

**1004R** right chaise  A

### Prices for Steps 1-2.

**AL6C1004L** \$3518

**AL6C1004R** \$3518

### Step 3. Leg Finish

**EN** ebony  A +\$0

### Step 4. Fabric

Price Category 1 +\$0

Price Category 2 +\$40

Price Category 3 +\$105

Price Category (Geiger) 3 +\$76

Price Category 4 +\$350

Price Category (Geiger) 4 +\$268

Price Category 5 +\$419

Price Category (Geiger) 5 +\$455

Price Category (Geiger) 6 +\$0

Price Category 7 +\$763

Price Category (Geiger) 7 +\$554

Price Category 9 +\$2119

Price Category (Geiger) 9 +\$2119

Price Category 10 +\$1565

Price Category 11 +\$2409

Price Category 14 +\$2779

Price Category D +\$0

Price Category G +\$947

Price Category H +\$1152

Price Category J +\$1556

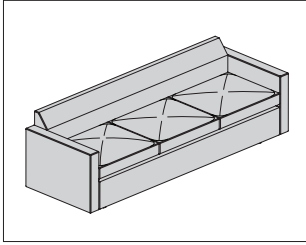
### Step 5. Fire Retardancy

**NFR** not fire retardant  A +\$0

**FR** fire retardant  A +\$250

# Bevel Sofa

AL6C1



### Product Information

#### Description

This sofa features wood frame construction, fire retardant free foam and down topper. It is available with or without arms or in left-arm or right-arm configuration. Legs are wood in ebony finish. Ganging hardware included. Shipped on end.

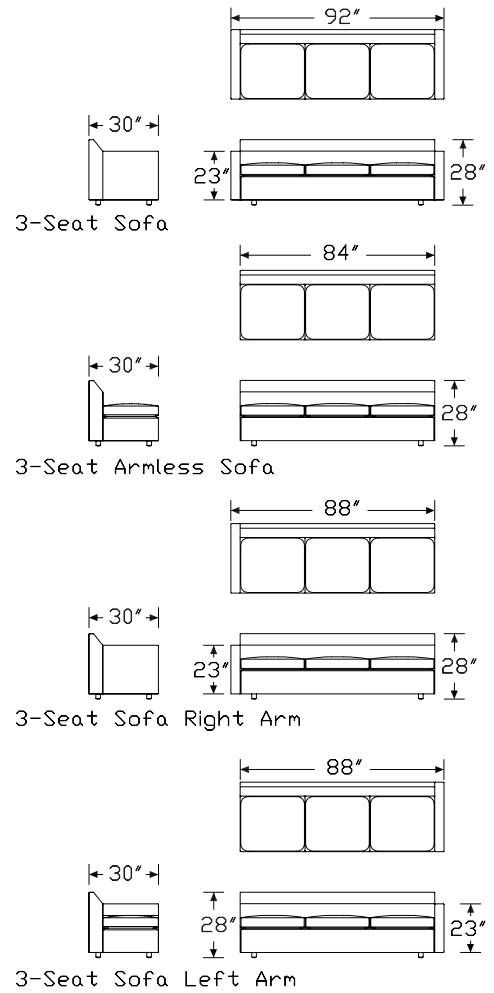
#### Notes

Handedness is determined from a seated position.

Customer's Own Material (COM) requires 12 yards. Customer's Own Leather (COL) requires 216 square feet. See Order Information in Appendices.

Limited textile selection available. See application chart in appendices.

### Dimensions



**Specification Information**

Step 1.

**AL6C**  A

Step 2. Configuration

**1003** 3-seat sofa  A

**1003A** 3-seat armless sofa  A

**1003R** 3-seat sofa right arm  A

**1003L** 3-seat sofa left arm  A

Prices for Steps 1-2.

<b>AL6C1003</b>	\$4663
<b>AL6C1003A</b>	\$4233
<b>AL6C1003R</b>	\$4431
<b>AL6C1003L</b>	\$4431

Step 3. Leg Finish

**EN** ebony  A +\$0

Step 4. Fabric

Price Category 1	+\$0
Price Category 2	+\$60
Price Category 3	+\$250
Price Category (Geiger) 3	+\$114
Price Category 4	+\$450
Price Category (Geiger) 4	+\$313
Price Category 5	+\$515
Price Category (Geiger) 5	+\$531
Price Category (Geiger) 6	+\$750
Price Category 7	+\$937
Price Category (Geiger) 7	+\$886
Price Category 9	+\$3205
Price Category (Geiger) 9	+\$3205
Price Category 10	+\$1915
Price Category 11	+\$3635
Price Category 14	+\$3389
Price Category D	+\$0
Price Category G	+\$1421
Price Category H	+\$1727
Price Category J	+\$1765

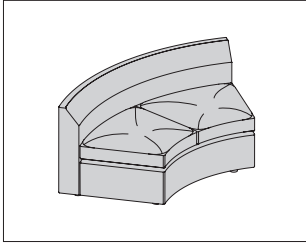
Step 5. Fire Retardancy

**NFR** not fire retardant  A +\$0

**FR** fire retardant  A +\$350

# Bevel Curved Settee

AL6C2  
AL6C3



### Product Information

#### Description

This curved settee features wood frame construction, fire retardant free foam and down topper. Legs are wood in ebony finish. Ganging hardware included.

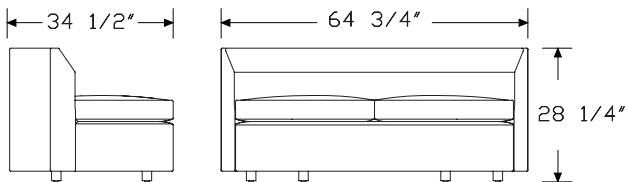
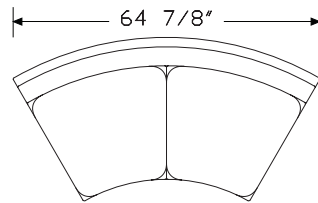
#### Notes

Customer's Own Material (COM) requires 5 yards. Customer's Own Leather (COL) requires 83 square feet. See Order Information in

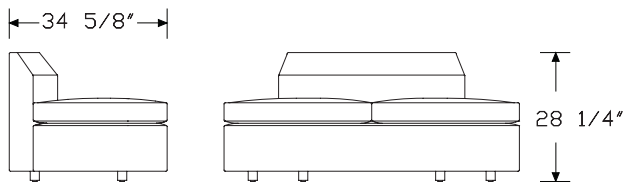
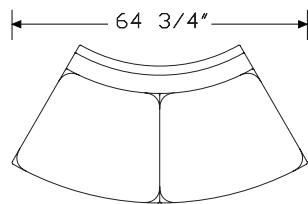
#### Appendices.

Limited textile selection available. See application chart in appendices.

### Dimensions



Curved Settee - Inside Curve



Curved Settee - Outside Curve

### Specification Information

#### Step 1.

**AL6C**  A

#### Step 2. Configuration

**2000** inside curve  A

**3000** outside curve  A

#### Prices for Steps 1-2.

**AL6C2000** \$3502

**AL6C3000** \$3502

#### Step 3. Leg Finish

**EN** ebony  A +\$0

#### Step 4. Fabric

Price Category 1	+\$0
Price Category 2	+\$40
Price Category 3	+\$76
Price Category (Geiger) 3	+\$72
Price Category 4	+\$174
Price Category (Geiger) 4	+\$283
Price Category 5	+\$297
Price Category (Geiger) 5	+\$481
Price Category (Geiger) 6	+\$679
Price Category 7	+\$755
Price Category (Geiger) 7	+\$526
Price Category 9	+\$2379
Price Category (Geiger) 9	+\$2379
Price Category 10	+\$1089
Price Category 11	+\$1269
Price Category 14	+\$2770
Price Category D	+\$0
Price Category G	+\$947
Price Category H	+\$1152
Price Category J	+\$1556

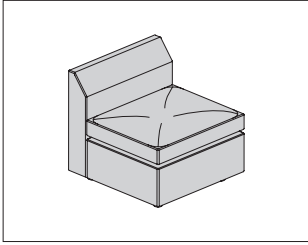
#### Step 5. Fire Retardancy

**NFR** not fire retardant  A +\$0

**FR** fire retardant  A +\$300

# Bevel Single Seat

AL6C0



### Product Information

#### Description

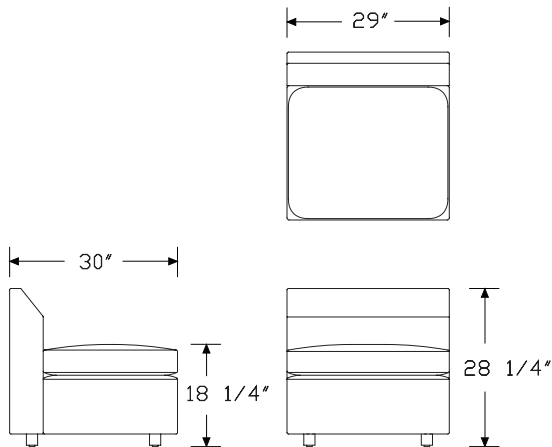
This single seat features wood frame construction, fire retardant free foam and down topper. Legs are wood in ebony finish. Ganging hardware included.

#### Notes

Customer's Own Material (COM) requires 5 yards. Customer's Own Leather (COL) requires 49 square feet. See Order Information in Appendices.

Limited textile selection available. See application chart in appendices.

#### Dimensions



HermanMiller Collection—Sofas

### Specification Information

#### Step 1.

**AL6C**  A

#### Step 2. Configuration

**0800** single seat  A

#### Prices for Steps 1-2.

**AL6C0800** \$2327

#### Step 3. Leg Finish

**EN** ebony  A +\$0

#### Step 4. Fabric

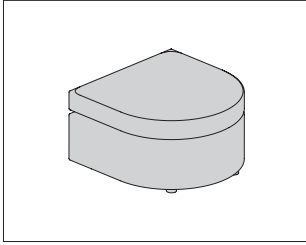
Price Category 1	+\$0
Price Category 2	+\$20
Price Category 3	+\$46
Price Category (Geiger) 3	+\$42
Price Category 4	+\$105
Price Category (Geiger) 4	+\$149
Price Category 5	+\$178
Price Category (Geiger) 5	+\$253
Price Category (Geiger) 6	+\$357
Price Category 7	+\$332
Price Category (Geiger) 7	+\$305
Price Category 9	+\$1479
Price Category (Geiger) 9	+\$1479
Price Category 10	+\$653
Price Category 11	+\$761
Price Category 14	+\$2155
Price Category D	+\$0
Price Category G	+\$663
Price Category H	+\$806
Price Category J	+\$1089

#### Step 5. Fire Retardancy

<b>NFR</b> not fire retardant <input type="checkbox"/> A	+\$0
<b>FR</b> fire retardant <input type="checkbox"/> A	+\$150

# Bevel Rounded Ottoman

AL6C0



### Product Information

#### Description

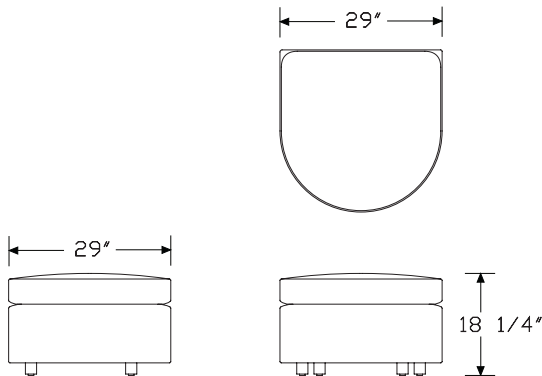
This rounded ottoman features wood frame construction, fire retardant free foam and down topper. Legs are wood in ebony finish. Connection hardware included.

#### Notes

Customer's Own Material (COM) requires 2 1/2 yards. Customer's Own Leather (COL) requires 35 square feet. See Order Information in Appendices.

Limited textile selection available. See application chart in appendices.

#### Dimensions



### Specification Information

#### Step 1.

**AL6C**  A

#### Step 2. Configuration

**0600** rounded ottoman  A

#### Prices for Steps 1-2.

**AL6C0600** \$2152

#### Step 3. Leg Finish

**EN** ebony  A +\$0

#### Step 4. Fabric

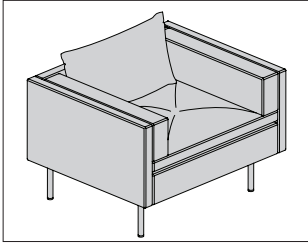
Price Category 1	+\$0
Price Category 2	+\$15
Price Category 3	+\$38
Price Category (Geiger) 3	+\$34
Price Category 4	+\$87
Price Category (Geiger) 4	+\$74
Price Category 5	+\$149
Price Category (Geiger) 5	+\$127
Price Category (Geiger) 6	+\$179
Price Category 7	+\$277
Price Category (Geiger) 7	+\$222
Price Category 9	+\$869
Price Category (Geiger) 9	+\$869
Price Category 10	+\$544
Price Category 11	+\$634
Price Category 14	+\$1239
Price Category D	+\$0
Price Category G	+\$474
Price Category H	+\$576
Price Category J	+\$778

#### Step 5. Fire Retardancy

<b>NFR</b> not fire retardant <input type="checkbox"/> A	+\$0
<b>FR</b> fire retardant <input type="checkbox"/> A	+\$100

# Bolster Club Chair

AL1C1



## Product Information

### Description

This chair features wood frame construction, fire retardant free foam and down topper. Base finish is brushed stainless. Ganging hardware included.

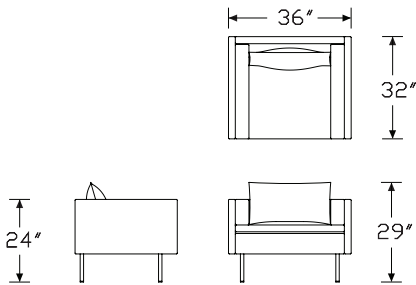
### Notes

Handedness is determined from a seated position.

Customer's Own Material (COM) requires 8 yards. Customer's Own Leather (COL) requires 144 square feet. See Order Information in Appendices.

Limited textile selection available. See application chart in appendices.

### Dimensions



HermanMiller Collection—Sofas

## Specification Information

### Step 1.

**AL1C** A

### Step 2. Configuration

**1000** club chair A

### Step 3. Upholstery Assignment

**S** single fabric A

### Prices for Steps 1-3.

**AL1C1000 S** \$3226

### Step 4. Leg Finish

**BRS** brushed stainless A + \$0

### Step 5. Fabric

Price Category 1	+\$0
Price Category 2	+\$451
Price Category 3	+\$541
Price Category (Geiger) 3	+\$80
Price Category 4	+\$704
Price Category (Geiger) 4	+\$704
Price Category 5	+\$760
Price Category (Geiger) 5	+\$760
Price Category (Geiger) 6	+\$912
Price Category 7	+\$1186
Price Category (Geiger) 7	+\$554
Price Category 9	+\$2631
Price Category (Geiger) 9	+\$2631
Price Category 10	+\$1655
Price Category 11	+\$2926
Price Category 14	+\$2592
Price Category D	+\$0
Price Category G	+\$947
Price Category H	+\$1152
Price Category J	+\$1556

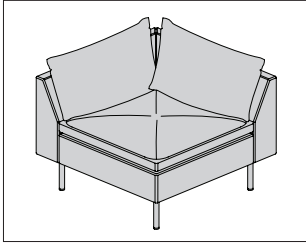
### Step 6. Fire Retardancy

<b>NFR</b> not fire retardant <span style="border: 1px solid black; padding: 0 2px;">A</span>	+\$0
<b>FR</b> fire retardant <span style="border: 1px solid black; padding: 0 2px;">A</span>	+\$150



# Bolster Corner

AL1C1



### Product Information

#### Description

This corner features wood frame construction, fire retardant free foam and down topper. Base finish is brushed stainless. Ganging hardware included.

#### Notes

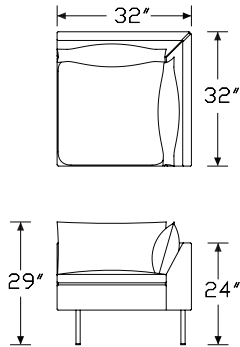
Handedness is determined from a seated position.

Customer's Own Material (COM) requires 8 yards. Customer's Own Leather (COL) requires 101 square feet. See Order Information in

#### Appendices.

Limited textile selection available. See application chart in appendices.

### Dimensions



### Specification Information

#### Step 1.

**AL1C**  A

#### Step 2. Configuration

**1005** corner  A

#### Step 3. Upholstery Assignment

**S** single fabric  A

#### Prices for Steps 1-3.

**AL1C1005 S** \$2833

#### Step 4. Leg Finish

**BRS** brushed stainless  A +\$0

#### Step 5. Fabric

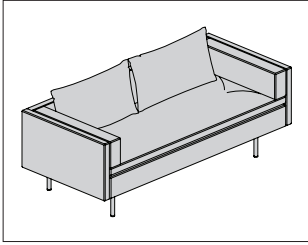
Price Category 1	+\$0
Price Category 2	+\$422
Price Category 3	+\$506
Price Category (Geiger) 3	+\$59
Price Category 4	+\$658
Price Category (Geiger) 4	+\$658
Price Category 5	+\$732
Price Category (Geiger) 5	+\$732
Price Category (Geiger) 6	+\$900
Price Category 7	+\$1142
Price Category (Geiger) 7	+\$421
Price Category 9	+\$1966
Price Category (Geiger) 9	+\$1966
Price Category 10	+\$1627
Price Category 11	+\$2185
Price Category 14	+\$2564
Price Category D	+\$0
Price Category G	+\$663
Price Category H	+\$806
Price Category J	+\$1089

#### Step 6. Fire Retardancy

<b>NFR</b> not fire retardant <input type="checkbox"/> A	+\$0
<b>FR</b> fire retardant <input type="checkbox"/> A	+\$150

# Bolster Settee

AL1C1



## Product Information

### Description

This settee features wood frame construction, fire retardant free foam and down topper. It is available with or without arms or in left-arm or right-arm configuration. Base finish is brushed stainless. Ganging hardware included. Shipped on end.

### Notes

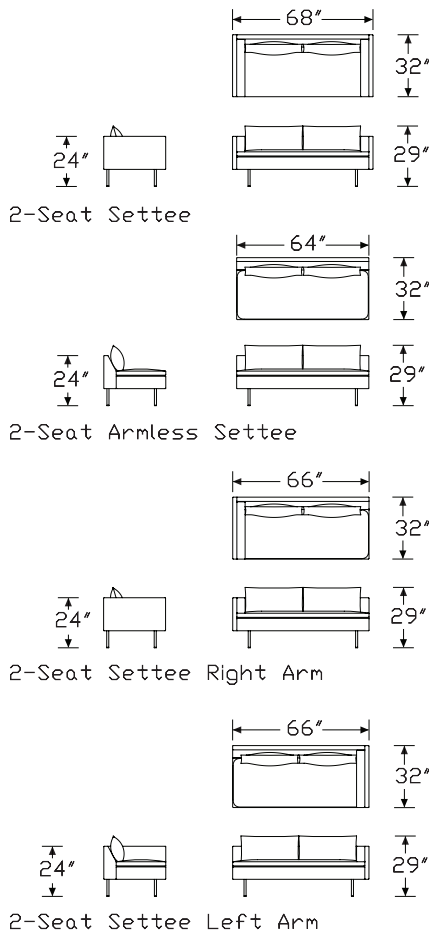
Handedness is determined from a seated position.

Fabric is railroaded.

Customer's Own Material (COM) requires 12 yards. Customer's Own Leather (COL) requires 140 square feet. See Order Information in Appendices.

Limited textile selection available. See application chart in appendices.

## Dimensions



## Specification Information

### Step 1.

**AL1C**  A

### Step 2. Configuration

**1002** 2-seat settee  A

**1002A** 2-seat armless settee  A

**1002R** 2-seat settee right arm  A

**1002L** 2-seat settee left arm  A

### Step 3. Upholstery Assignment

**S** single fabric  A

### Prices for Steps 1-3.

**AL1C1002 S** \$4358

**AL1C1002A S** \$3579

**AL1C1002R S** \$3968

**AL1C1002L S** \$3968

### Step 4. Leg Finish

**BRS** brushed stainless  A +\$0

### Step 5. Fabric

Price Category 1	+\$0
Price Category 2	+\$657
Price Category 3	+\$788
Price Category (Geiger) 3	+\$84
Price Category 4	+\$1025
Price Category (Geiger) 4	+\$1025
Price Category 5	+\$1143
Price Category (Geiger) 5	+\$1143
Price Category (Geiger) 6	+\$1372
Price Category 7	+\$1783
Price Category (Geiger) 7	+\$609
Price Category 9	+\$3802
Price Category (Geiger) 9	+\$3802
Price Category 10	+\$2550
Price Category 11	+\$4233
Price Category 14	+\$4022
Price Category D	+\$0
Price Category G	+\$1421
Price Category H	+\$1727
Price Category J	+\$2333

## Bolster Settee *continued*

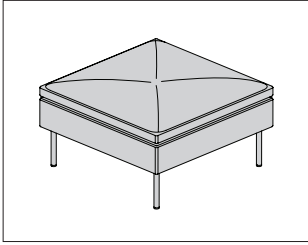
---

### Step 6. Fire Retardancy

<b>NFR</b>	not fire retardant	<input type="checkbox"/>	+\$0
<b>FR</b>	fire retardant	<input type="checkbox"/>	+\$300

# Bolster Ottoman

AL1C0



### Product Information

#### Description

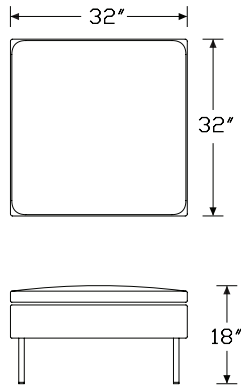
This ottoman features wood frame construction, fire retardant free foam and down topper. Base finish is brushed stainless. Ganging hardware included.

#### Notes

Customer's Own Material (COM) requires 4 yards. Customer's Own Leather (COL) requires 72 square feet. See Order Information in Appendices.

Limited textile selection available. See application chart in appendices.

#### Dimensions



HermanMiller Collection—Sofas

### Specification Information

#### Step 1.

**AL1C**  A

#### Step 2. Configuration

**0400** ottoman  A

#### Prices for Steps 1-2.

**AL1C0400** \$1957

#### Step 3. Leg Finish

**BRS** brushed stainless  A +\$0

#### Step 4. Fabric

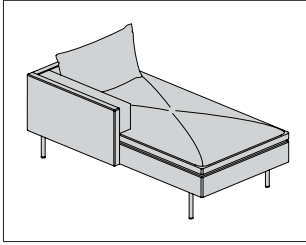
Price Category 1	+\$0
Price Category 2	+\$266
Price Category 3	+\$319
Price Category (Geiger) 3	+\$34
Price Category 4	+\$415
Price Category (Geiger) 4	+\$415
Price Category 5	+\$442
Price Category (Geiger) 5	+\$442
Price Category (Geiger) 6	+\$530
Price Category 7	+\$690
Price Category (Geiger) 7	+\$222
Price Category 9	+\$1029
Price Category (Geiger) 9	+\$1029
Price Category 10	+\$954
Price Category 11	+\$1142
Price Category 14	+\$1489
Price Category D	+\$0
Price Category G	+\$883
Price Category H	+\$1048
Price Category J	+\$1260

#### Step 5. Fire Retardancy

<b>NFR</b> not fire retardant <input type="checkbox"/> A	+\$0
<b>FR</b> fire retardant <input type="checkbox"/> A	+\$100

# Bolster Chaise

AL1C1



### Product Information

#### Description

This chaise features wood frame construction, fire retardant free foam and down topper. It is available in left-arm or right-arm configuration. Base finish is brushed stainless. Ganging hardware included.

#### Notes

Handedness is determined from a seated position.

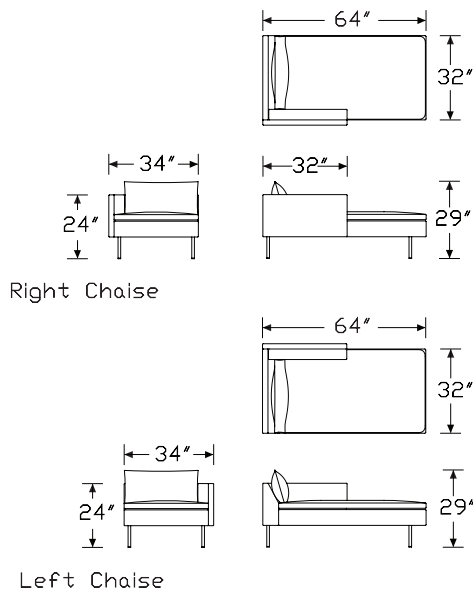
Fabric is railroaded.

Customer's Own Material (COM) requires 8 yards. Customer's Own Leather (COL) requires 144 square feet. See Order Information in

Appendices.

Limited textile selection available. See application chart in appendices.

#### Dimensions



### Specification Information

#### Step 1.

**AL1C**  A

#### Step 2. Direction

**1004L** left chaise  A

**1004R** right chaise  A

#### Step 3. Upholstery Assignment

**S** single fabric  A

#### Prices for Steps 1-3.

**AL1C1004L S** \$3735

**AL1C1004R S** \$3735

#### Step 4. Leg Finish

**BRS** brushed stainless  A +\$0

#### Step 5. Fabric

Price Category 1	+\$0
Price Category 2	+\$550
Price Category 3	+\$660
Price Category (Geiger) 3	+\$88
Price Category 4	+\$858
Price Category (Geiger) 4	+\$858
Price Category 5	+\$947
Price Category (Geiger) 5	+\$947
Price Category (Geiger) 6	+\$1136
Price Category 7	+\$1477
Price Category (Geiger) 7	+\$637
Price Category 9	+\$2763
Price Category (Geiger) 9	+\$2763
Price Category 10	+\$2099
Price Category 11	+\$3072
Price Category 14	+\$3303
Price Category D	+\$0
Price Category G	+\$729
Price Category H	+\$947
Price Category J	+\$1354

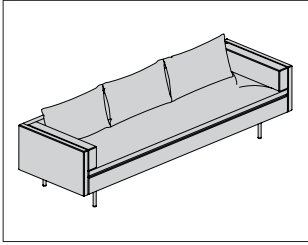
#### Step 6. Fire Retardancy

**NFR** not fire retardant  A +\$0

**FR** fire retardant  A +\$250

# Bolster Sofa

AL1C1



## Product Information

### Description

This sofa features wood frame construction, fire retardant free foam and down topper. It is available with or without arms or in left-arm or right-arm configuration. Base finish is brushed stainless. Ganging hardware included.

### Notes

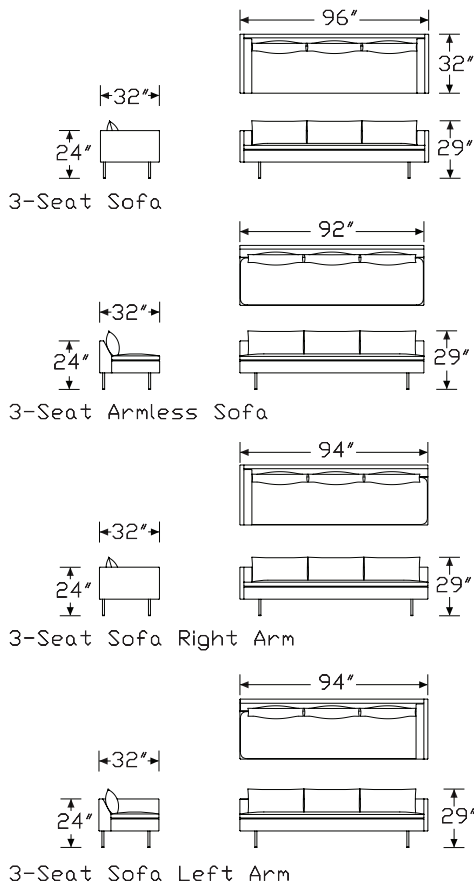
Handedness is determined from a seated position.

Fabric is railroaded.

Customer's Own Material (COM) requires 12 yards. Customer's Own Leather (COL) requires 215 square feet. See Order Information in Appendices.

Limited textile selection available. See application chart in appendices.

## Dimensions



## Specification Information

### Step 1.

**AL1C**  A

### Step 2. Configuration

**1003** 3-seat sofa  A

**1003A** 3-seat armless sofa  A

**1003R** 3-seat sofa right arm  A

**1003L** 3-seat sofa left arm  A

### Step 3. Upholstery Assignment

**S** single fabric  A

### Prices for Steps 1-3.

**AL1C1003 S** \$5068

**AL1C1003A S** \$4290

**AL1C1003R S** \$4680

**AL1C1003L S** \$4680

### Step 4. Leg Finish

**BRS** brushed stainless  A +\$0

### Step 5. Fabric

Price Category 1	+\$0
Price Category 2	+\$771
Price Category 3	+\$925
Price Category (Geiger) 3	+\$107
Price Category 4	+\$1203
Price Category (Geiger) 4	+\$1203
Price Category 5	+\$1345
Price Category (Geiger) 5	+\$1345
Price Category (Geiger) 6	+\$1672
Price Category 7	+\$2098
Price Category (Geiger) 7	+\$775
Price Category 9	+\$4810
Price Category (Geiger) 9	+\$4810
Price Category 10	+\$3008
Price Category 11	+\$5359
Price Category 14	+\$4748
Price Category D	+\$0
Price Category G	+\$1421
Price Category H	+\$1727
Price Category J	+\$2333

## Bolster Sofa *continued*

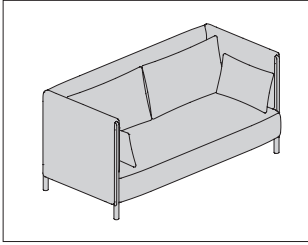
---

### Step 6. Fire Retardancy

<b>NFR</b>	not fire retardant	<input type="checkbox"/>	+\$0
<b>FR</b>	fire retardant	<input type="checkbox"/>	+\$350

ColourForm Sofa, Not Quilted,  
Single Textile

AJN10



**Product Information**

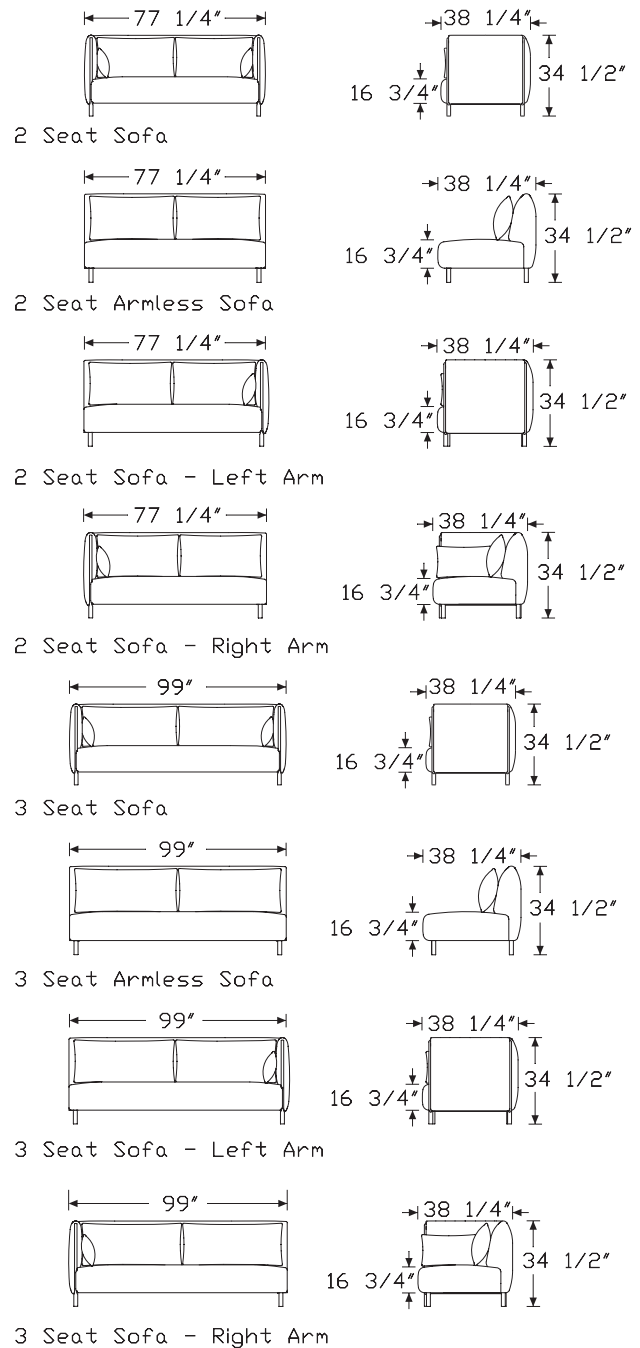
**Description**

This sofa has wooden frame construction with shaped foam and cover layers folded over the arm rest. Pillows are fiber filled for comfort. A plastic upholstery strip is stitched into the textile allowing the fabric to be stretched and pushed into place over the frame. Sofa is available with or without arms or in left-arm or right-arm configuration.

**Notes**

For modularity, order ganging kit (AJNG) separately.  
Handedness is determined from seated position.  
Limited textile selection available. See application chart in appendices.

**Dimensions**





# ColourForm Sofa, Not Quilted, Single Textile *continued*

## Specification Information

### Step 1.

**AJN**

### Step 2. Configuration

**1002** 2-seat sofa

**1002A** 2-seat armless sofa

**1002R** 2-seat sofa right arm

**1002L** 2-seat sofa left arm

**1003** 3-seat sofa

**1003A** 3-seat armless sofa

**1003R** 3-seat sofa right arm

**1003L** 3-seat sofa left arm

### Step 3. Upholstery Type

**N** not quilted, single textile

### Prices for Steps 1-3.

**AJN1002 N** \$4719

**AJN1002A N** \$3029

**AJN1002R N** \$3903

**AJN1002L N** \$3903

**AJN1003 N** \$5086

**AJN1003A N** \$3529

**AJN1003R N** \$4364

**AJN1003L N** \$4364

### Step 4. Outside/Inside Fabric

Price Category (Geiger) D +\$1286

Price Category 2 +\$90

Price Category (Geiger) 3 +\$192

Price Category 5 +\$720

Price Category (Geiger) 7 +\$1606

Price Category (Geiger) G +\$1489

Price Category (Geiger) H +\$2073

Price Category (Geiger) I +\$2267

Price Category (Geiger) J +\$3233

### Step 5. Leg Finish

**EN** ebony  +\$0

**OU** walnut  +\$0

**A2** white ash  +\$0

**SBA** soft blue ash  +\$0

**SGA** soft green ash  +\$0

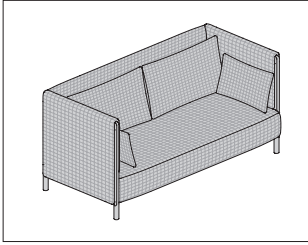
**66A** recograin frosty ash  +\$0

### Step 6. Fire Retardancy

**NFR** not fire retardant  +\$0

**FR** fire retardant  +\$900

ColourForm Sofa, Quilted, Single Textile AJN10



**Product Information**

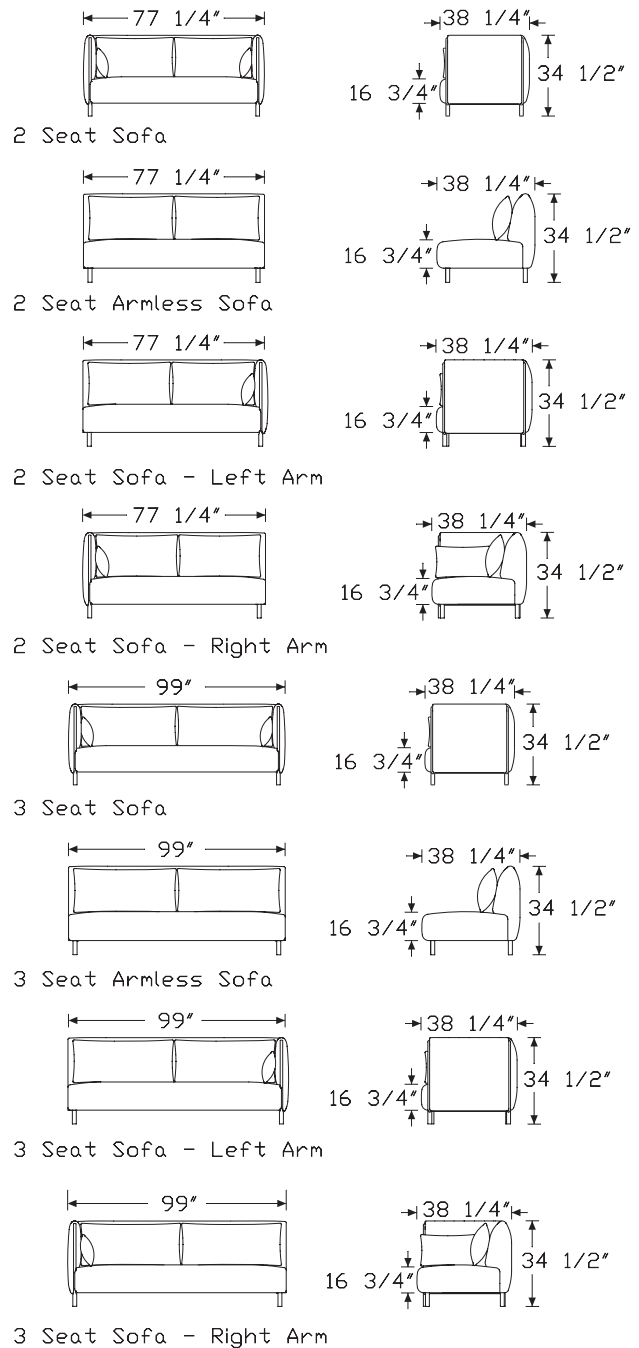
**Description**

This sofa has wooden frame construction with shaped foam and cover layers folded over the arm rest. Pillows are fiber filled for comfort. A plastic upholstery strip is stitched into the textile allowing the fabric to be stretched and pushed into place over the frame. Sofa is available with or without arms or in left-arm or right-arm configuration.

**Notes**

For modularity, order ganging kit (AJNG) separately.  
 Handedness is determined from seated position.  
 Limited textile selection available. See application chart in appendices.

**Dimensions**



# ColourForm Sofa, Quilted, Single

## Textile *continued*

### Specification Information

#### Step 1.

**AJN**

#### Step 2. Configuration

**1002** 2-seat sofa

**1002A** 2-seat armless sofa

**1002R** 2-seat sofa right arm

**1002L** 2-seat sofa left arm

**1003** 3-seat sofa

**1003A** 3-seat armless sofa

**1003R** 3-seat sofa right arm

**1003L** 3-seat sofa left arm

#### Step 3. Upholstery Type

**Q1** quilted, single textile (outside quilted, inside not quilted, same color, same fabric family)

#### Prices for Steps 1-3.

**AJN1002 Q1** \$4719

**AJN1002A Q1** \$3029

**AJN1002R Q1** \$3903

**AJN1002L Q1** \$3903

**AJN1003 Q1** \$5086

**AJN1003A Q1** \$3529

**AJN1003R Q1** \$4364

**AJN1003L Q1** \$4364

#### Step 4. Outside/Inside Fabric

Price Category (Geiger) 3 +\$1265

Price Category 5 +\$1792

Price Category (Geiger) G +\$2562

#### Step 5. Leg Finish

**A2** white ash  +\$0

**EN** ebony  +\$0

**OU** walnut  +\$0

**SBA** soft blue ash  +\$0

**SGA** soft green ash  +\$0

**66A** recograin frosty ash  +\$0

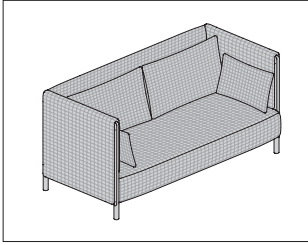
#### Step 6. Fire Retardancy

**NFR** not fire retardant  +\$0

**FR** fire retardant  +\$900

ColourForm Sofa, Quilted, Two Textiles

AJN10



**Product Information**

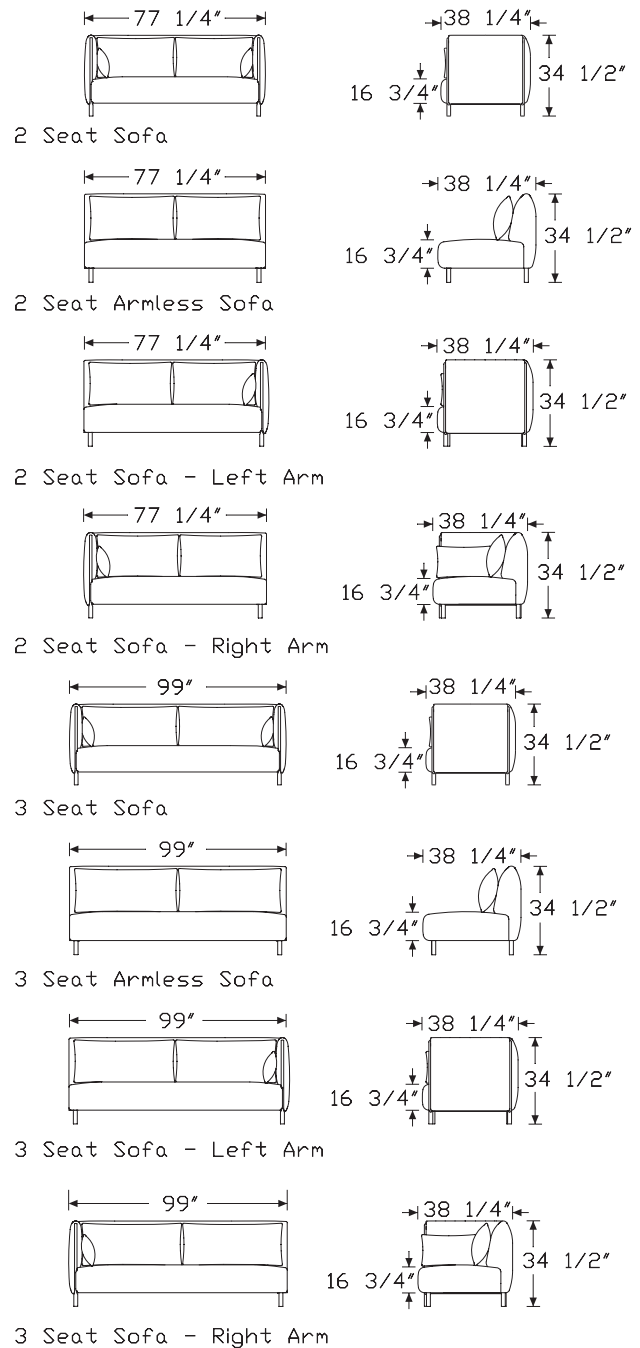
**Description**

This sofa has wooden frame construction with shaped foam and cover layers folded over the arm rest. Pillows are fiber filled for comfort. A plastic upholstery strip is stitched into the textile allowing the fabric to be stretched and pushed into place over the frame. Sofa is available with arms or in left-arm or right-arm configuration.

**Notes**

For modularity, order ganging kit (AJNG) separately.  
 Handedness is determined from seated position.  
 Limited textile selection available. See application chart in appendices.

**Dimensions**



# ColourForm Sofa, Quilted, Two Textiles *continued*

## Specification Information

Step 1.

**AJN**

Step 2. Configuration

**1002** 2-seat sofa

**1002R** 2-seat sofa right arm

**1002L** 2-seat sofa left arm

**1003** 3-seat sofa

**1003R** 3-seat sofa right arm

**1003L** 3-seat sofa left arm

Step 3. Upholstery Type

**Q2** quilted, two textiles (outside quilted, inside quilted)

Prices for Steps 1-3.

**AJN1002 Q2** \$4719

**AJN1002R Q2** \$3903

**AJN1002L Q2** \$3903

**AJN1003 Q2** \$5086

**AJN1003R Q2** \$4364

**AJN1003L Q2** \$4364

Step 4. Outside Fabric

Price Category (Geiger) G +\$2562

Step 5. Inside Fabric

Price Category (Geiger) G +\$0

Step 6. Leg Finish

**A2** white ash  +\$0

**EN** ebony  +\$0

**OU** walnut  +\$0

**SBA** soft blue ash  +\$0

**SGA** soft green ash  +\$0

**66A** recograin frosty ash  +\$0

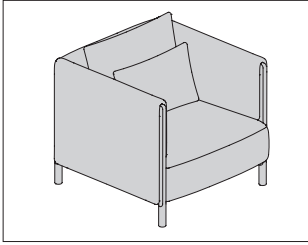
Step 7. Fire Retardancy

**NFR** not fire retardant  +\$0

**FR** fire retardant  +\$900

ColourForm Club Chair, Not Quilted, Single Textile

AJN10



**Product Information**

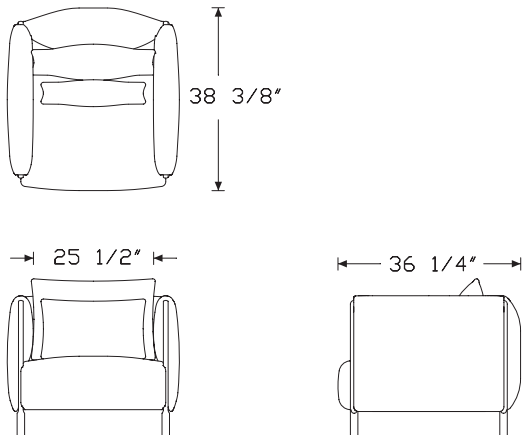
**Description**

This club chair has wooden frame construction with shaped foam and cover layers folded over the arm rest. Pillows are fiber filled for comfort. A plastic upholstery strip is stitched into the textile allowing the fabric to be stretched and pushed into place over the frame.

**Notes**

Handedness is determined from seated position.  
 Limited textile selection available. See application chart in appendices.

**Dimensions**



HermanMiller Collection—Sofas

**Specification Information**

**Step 1.**

**AJN1000**

**Step 2. Upholstery Type**

**N** not quilted, single textile

**Prices for Steps 1-2.**

**AJN1000 N** \$3573

**Step 3. Outside/Inside Fabric**

Price Category (Geiger) D	+\$732
Price Category 2	+\$55
Price Category (Geiger) 3	+\$107
Price Category 5	+\$407
Price Category (Geiger) 7	+\$914
Price Category (Geiger) G	+\$847
Price Category (Geiger) H	+\$1179
Price Category (Geiger) I	+\$1289
Price Category (Geiger) J	+\$1839

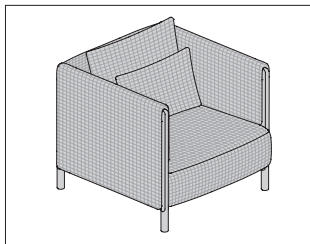
**Step 4. Leg Finish**

<b>EN</b> ebony <input type="checkbox"/>	+\$0
<b>OU</b> walnut <input type="checkbox"/>	+\$0
<b>A2</b> white ash <input type="checkbox"/>	+\$0
<b>SBA</b> soft blue ash <input type="checkbox"/>	+\$0
<b>SGA</b> soft green ash <input type="checkbox"/>	+\$0
<b>66A</b> recograin frosty ash <input type="checkbox"/>	+\$0

**Step 5. Fire Retardancy**

<b>NFR</b> not fire retardant <input type="checkbox"/>	+\$0
<b>FR</b> fire retardant <input type="checkbox"/>	+\$495

ColourForm Club Chair, Quilted, Single Textile AJN10



**Product Information**

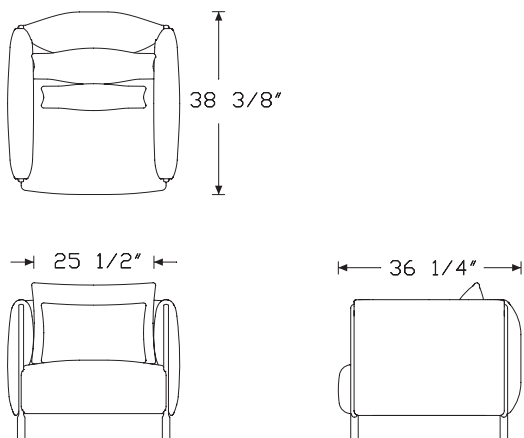
**Description**

This club chair has wooden frame construction with shaped foam and cover layers folded over the arm rest. Pillows are fiber filled for comfort. A plastic upholstery strip is stitched into the textile allowing the fabric to be stretched and pushed into place over the frame.

**Notes**

Handedness is determined from seated position.  
 Limited textile selection available. See application chart in appendices.

**Dimensions**



**Specification Information**

**Step 1.**

**AJN1000** [A]

**Step 2. Upholstery Type**

**Q1** quilted, single textile (outside quilted, inside not quilted, same color, same fabric family) [A]

**Prices for Steps 1-2.**

**AJN1000 Q1** \$3573

**Step 3. Outside/Inside Fabric**

Price Category (Geiger) 3 +\$717  
 Price Category 5 +\$1017  
 Price Category (Geiger) G +\$1457

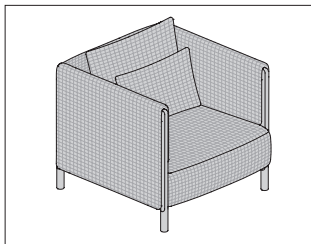
**Step 4. Leg Finish**

**A2** white ash [A] +\$0  
**EN** ebony [A] +\$0  
**OU** walnut [A] +\$0  
**SBA** soft blue ash [A] +\$0  
**SGA** soft green ash [A] +\$0  
**66A** recograin frosty ash [A] +\$0

**Step 5. Fire Retardancy**

**NFR** not fire retardant [A] +\$0  
**FR** fire retardant [A] +\$495

ColourForm Club Chair, Quilted, Two Textiles AJN10



**Product Information**

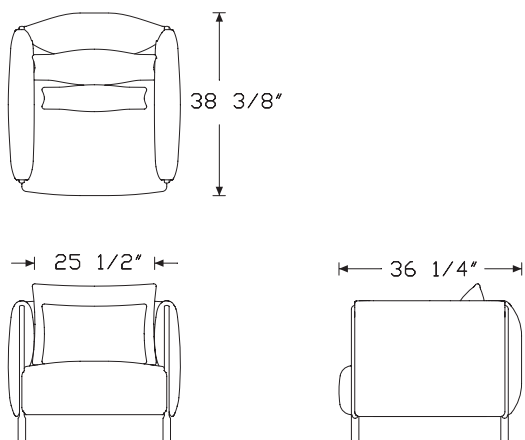
**Description**

This club chair has wooden frame construction with shaped foam and cover layers folded over the arm rest. Pillows are fiber filled for comfort. A plastic upholstery strip is stitched into the textile allowing the fabric to be stretched and pushed into place over the frame.

**Notes**

Handedness is determined from seated position.  
 Limited textile selection available. See application chart in appendices.

**Dimensions**



HermanMiller Collection—Sofas

**Specification Information**

**Step 1.**

**AJN1000** A

**Step 2. Upholstery Type**

**Q2** quilted, two textiles (outside quilted, inside quilted) A

**Prices for Steps 1-2.**

**AJN1000 Q2** \$3573

**Step 3. Outside Fabric**

Price Category (Geiger) G +\$1457

**Step 4. Inside Fabric**

Price Category (Geiger) G +\$0

**Step 5. Leg Finish**

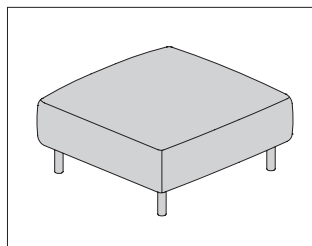
- A2** white ash A +\$0
- EN** ebony A +\$0
- OU** walnut A +\$0
- SBA** soft blue ash A +\$0
- SGA** soft green ash A +\$0
- 66A** recograin frosty ash A +\$0

**Step 6. Fire Retardancy**

- NFR** not fire retardant A +\$0
- FR** fire retardant A +\$495



ColourForm Ottoman, Not Quilted, Single Textile AJN04

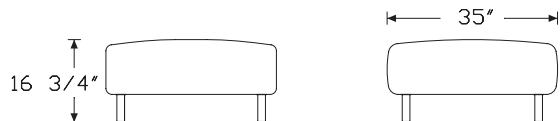


**Product Information**

**Description**

This ottoman has wooden frame construction with shaped foam and cover layers folded over the arm rest. Pillows are fiber filled for comfort. A plastic upholstery strip is stitched into the textile allowing the fabric to be stretched and pushed into place over the frame.

**Dimensions**



**Specification Information**

**Step 1.**

**AJN0400** [A]

**Step 2. Upholstery Type**

**N** not quilted, single textile [A]

**Prices for Steps 1-2.**

**AJN0400 N** \$1147

**Step 3. Ottoman Fabric**

Price Category (Geiger) D	+\$155
Price Category 2	+\$15
Price Category (Geiger) 3	+\$25
Price Category 5	+\$85
Price Category (Geiger) 7	+\$194
Price Category (Geiger) G	+\$180
Price Category (Geiger) H	+\$251
Price Category (Geiger) I	+\$274
Price Category (Geiger) J	+\$390

**Step 4. Leg Finish**

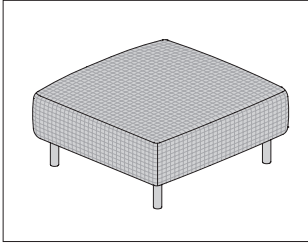
<b>EN</b> ebony [A]	+\$0
<b>OU</b> walnut [A]	+\$0
<b>A2</b> white ash [A]	+\$0
<b>SBA</b> soft blue ash [A]	+\$0
<b>SGA</b> soft green ash [A]	+\$0
<b>66A</b> recograin frosty ash [A]	+\$0

**Step 5. Fire Retardancy**

<b>NFR</b> not fire retardant [A]	+\$0
<b>FR</b> fire retardant [A]	+\$150

ColourForm Ottoman, Quilted,  
Single Textile

AJN04

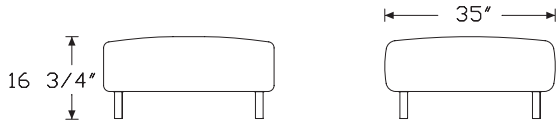


**Product Information**

**Description**

This ottoman has wooden frame construction with shaped foam and cover layers folded over the arm rest. Pillows are fiber filled for comfort. A plastic upholstery strip is stitched into the textile allowing the fabric to be stretched and pushed into place over the frame.

**Dimensions**



**Specification Information**

**Step 1.**

**AJN0400**  A

**Step 2. Upholstery Type**

**Q1** quilted, single textile (outside quilted, inside not quilted, same color, same fabric family)  A

**Prices for Steps 1-2.**

**AJN0400 Q1** \$1147

**Step 3. Ottoman Fabric**

Price Category (Geiger) 3 +\$150  
 Price Category 5 +\$214  
 Price Category (Geiger) G +\$310

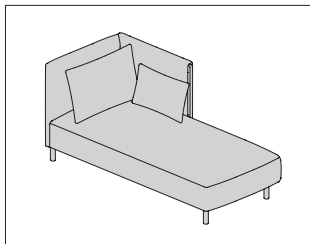
**Step 4. Leg Finish**

**EN** ebony  A +\$0  
**OU** walnut  A +\$0  
**A2** white ash  A +\$0  
**SBA** soft blue ash  A +\$0  
**SGA** soft green ash  A +\$0  
**66A** recograin frosty ash  A +\$0

**Step 5. Fire Retardancy**

**NFR** not fire retardant  A +\$0  
**FR** fire retardant  A +\$150

ColourForm Chaise, Not Quilted, Single Textile AJN10



**Product Information**

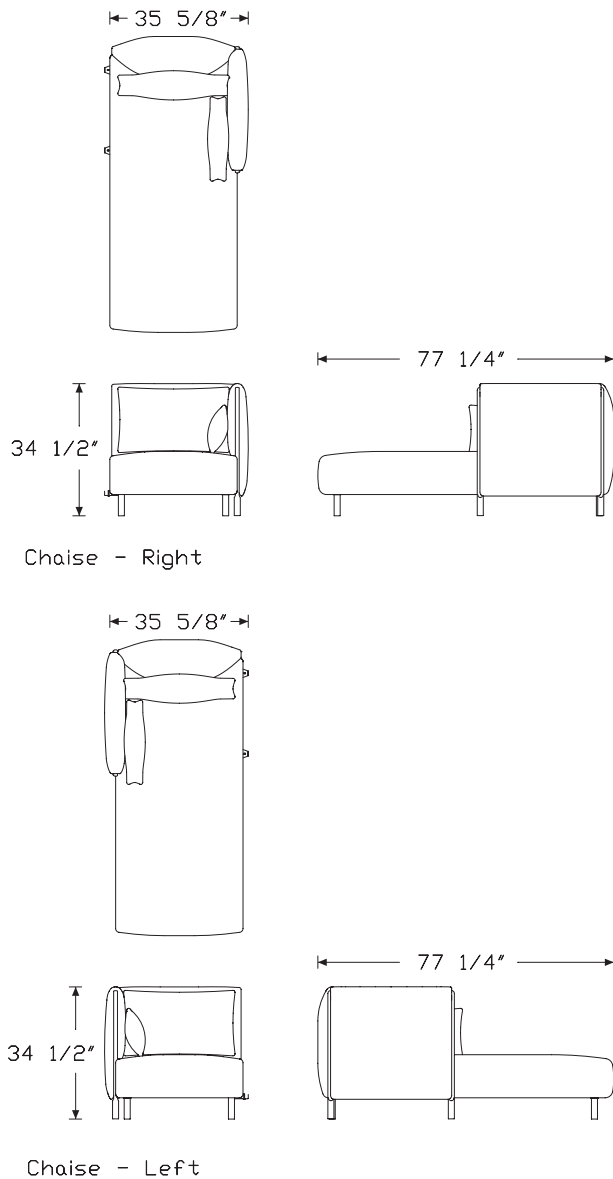
**Description**

This chaise has wooden frame construction with shaped foam and cover layers folded over the arm rest. Pillows are fiber filled for comfort. A plastic upholstery strip is stitched into the textile allowing the fabric to be stretched and pushed into place over the frame.

**Notes**

For modularity, order ganging kit (AJNG) separately.  
 Handedness is determined from seated position.  
 Limited textile selection available. See application chart in appendices.

**Dimensions**

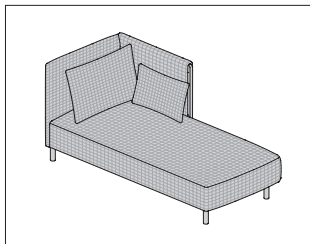


# ColourForm Chaise, Not Quilted, Single Textile *continued*

Specification Information	
Step 1.	
<b>AJN</b>	<input type="checkbox"/> A
Step 2. Configuration	
<b>1004R</b>	right chaise <input type="checkbox"/> A
<b>1004L</b>	left chaise <input type="checkbox"/> A
Step 3. Upholstery Type	
<b>N</b>	not quilted, single textile <input type="checkbox"/> A
Prices for Steps 1-3.	
<b>AJN1004R N</b>	\$3643
<b>AJN1004L N</b>	\$3643
Step 4. Outside/Inside Fabric	
Price Category (Geiger) D	+\$842
Price Category 2	+\$60
Price Category (Geiger) 3	+\$125
Price Category 5	+\$828
Price Category (Geiger) 7	+\$1052
Price Category (Geiger) G	+\$976
Price Category (Geiger) H	+\$1358
Price Category (Geiger) I	+\$1485
Price Category (Geiger) J	+\$2118
Step 5. Leg Finish	
<b>EN</b>	ebony <input type="checkbox"/> A +\$0
<b>OU</b>	walnut <input type="checkbox"/> A +\$0
<b>A2</b>	white ash <input type="checkbox"/> A +\$0
<b>SBA</b>	soft blue ash <input type="checkbox"/> A +\$0
<b>SGA</b>	soft green ash <input type="checkbox"/> A +\$0
<b>66A</b>	recograin frosty ash <input type="checkbox"/> A +\$0
Step 6. Fire Retardancy	
<b>NFR</b>	not fire retardant <input type="checkbox"/> A +\$0
<b>FR</b>	fire retardant <input type="checkbox"/> A +\$570

ColourForm Chaise, Quilted,  
Single Textile

AJN10



**Product Information**

**Description**

This chaise has wooden frame construction with shaped foam and cover layers folded over the arm rest. Pillows are fiber filled for comfort. A plastic upholstery strip is stitched into the textile allowing the fabric to be stretched and pushed into place over the frame.

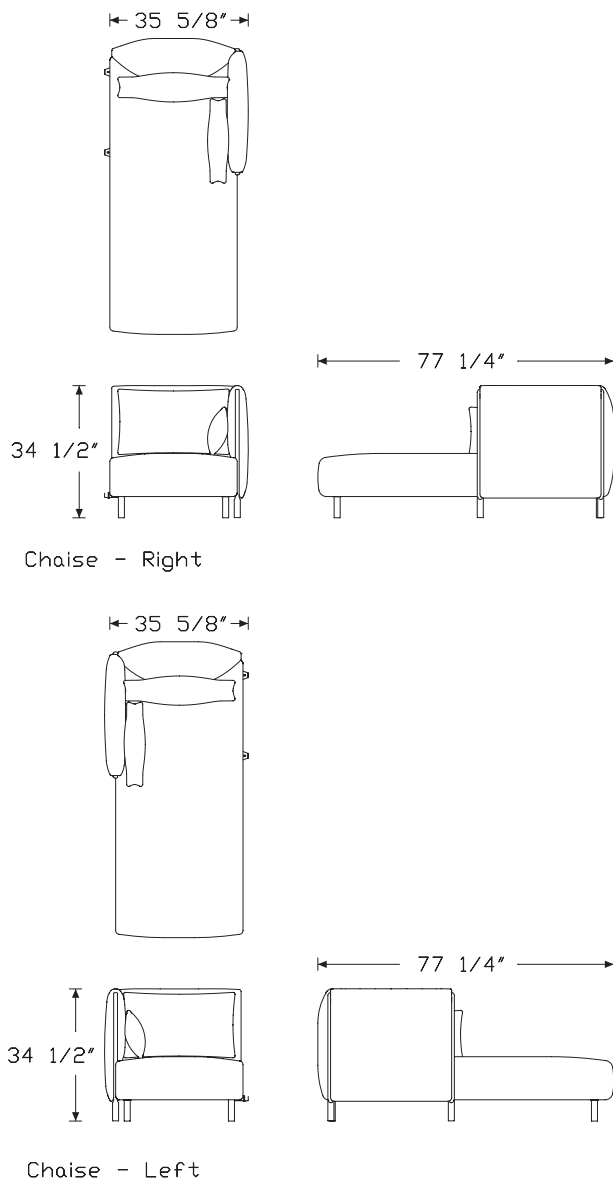
**Notes**

For modularity, order ganging kit (AJNG) separately.

Handedness is determined from seated position.

Limited textile selection available. See application chart in appendices.

**Dimensions**



# ColourForm Chaise, Quilted, Single Textile *continued*

## Specification Information

Step 1.

**AJN**

Step 2. Configuration

**1004L** left chaise

**1004R** right chaise

Step 3. Upholstery Type

**Q1** quilted, single textile (outside quilted, inside not quilted, same color, same fabric family)

Prices for Steps 1-3.

**AJN1004L Q1** \$3643

**AJN1004R Q1** \$3643

Step 4. Outside/Inside Fabric

Price Category (Geiger) 3 +\$828

Price Category 5 +\$1173

Price Category (Geiger) G +\$1679

Step 5. Leg Finish

**A2** white ash  +\$0

**EN** ebony  +\$0

**OU** walnut  +\$0

**SBA** soft blue ash  +\$0

**SGA** soft green ash  +\$0

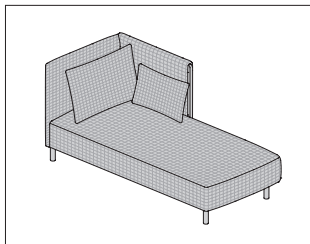
**66A** recograin frosty ash  +\$0

Step 6. Fire Retardancy

**NFR** not fire retardant  +\$0

**FR** fire retardant  +\$570

ColourForm Chaise, Quilted, Two Textiles AJN10



**Product Information**

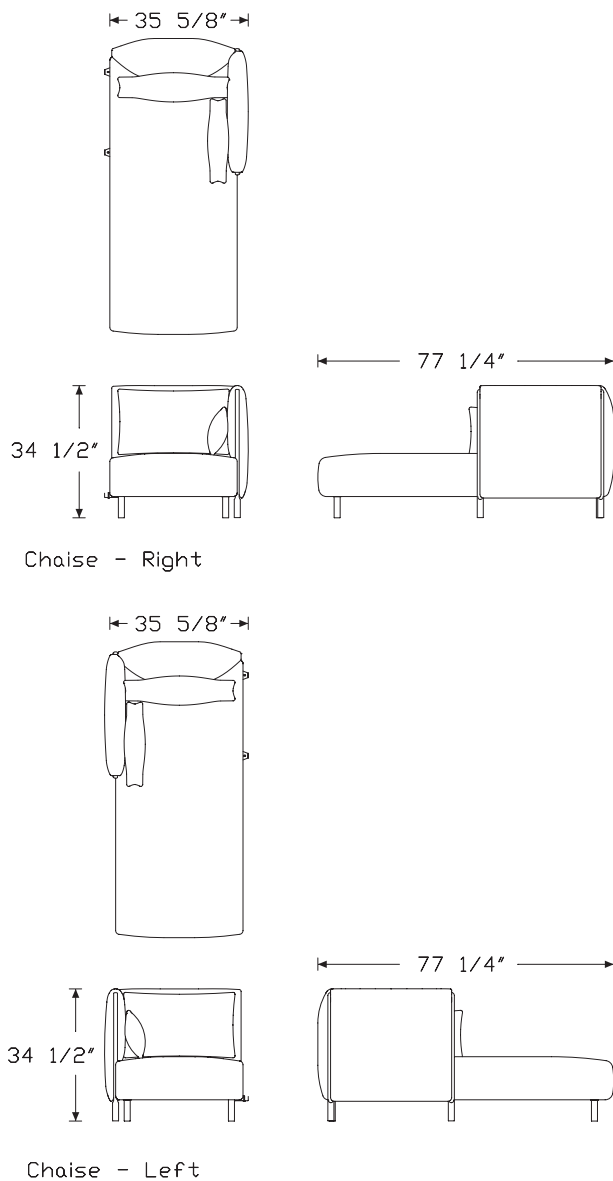
**Description**

This chaise has wooden frame construction with shaped foam and cover layers folded over the arm rest. Pillows are fiber filled for comfort. A plastic upholstery strip is stitched into the textile allowing the fabric to be stretched and pushed into place over the frame.

**Notes**

For modularity, order ganging kit (AJNG) separately.  
 Handedness is determined from seated position.  
 Limited textile selection available. See application chart in appendices.

**Dimensions**



ColourForm Chaise, Quilted, Two  
Textiles *continued*

**Specification Information**

Step 1.

**AJN**

Step 2. Configuration

**1004R** right chaise

**1004L** left chaise

Step 3. Upholstery Type

**Q2** quilted, two textiles (outside quilted, inside quilted)

Prices for Steps 1-3.

**AJN1004R Q2** \$3643

**AJN1004L Q2** \$3643

Step 4. Outside Fabric

Price Category (Geiger) G +\$1679

Step 5. Inside Fabric

Price Category (Geiger) G +\$0

Step 6. Leg Finish

**A2** white ash  +\$0

**EN** ebony  +\$0

**OU** walnut  +\$0

**SBA** soft blue ash  +\$0

**SGA** soft green ash  +\$0

**66A** recograin frosty ash  +\$0

Step 7. Fire Retardancy

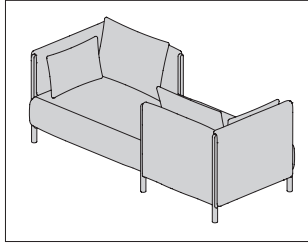
**NFR** not fire retardant  +\$0

**FR** fire retardant  +\$570



# ColourForm Tete-a-Tete, Not Quilted, Single Textile

AJN10



## Product Information

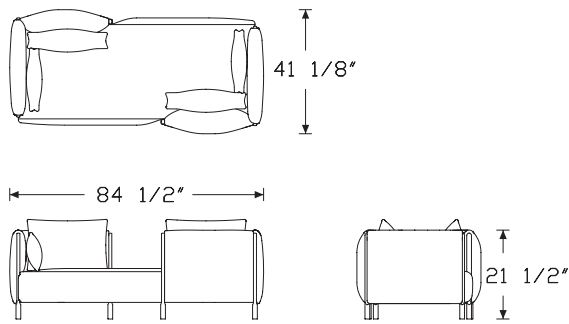
### Description

This Tete-a-Tete has wooden frame construction with shaped foam and cover layers folded over the arm rest. Pillows are fiber filled for comfort. A plastic upholstery strip is stitched into the textile allowing the fabric to be stretched and pushed into place over the frame.

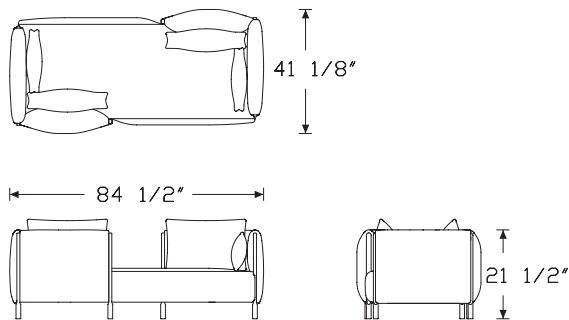
### Notes

Handedness is determined from seated position.  
 Limited textile selection available. See application chart in appendices.

### Dimensions



Tete-a-tete Left



Tete-a-tete Right

## Specification Information

### Step 1.

**AJN**  A

### Step 2. Configuration

**1006R** tete-a-tete right  A

**1006L** tete-a-tete left  A

### Step 3. Upholstery Type

**N** not quilted, single textile  A

### Prices for Steps 1-3.

**AJN1006R N** \$4924

**AJN1006L N** \$4924

### Step 4. Outside/Inside Fabric

Price Category (Geiger) D	+\$1197
Price Category 2	+\$84
Price Category (Geiger) 3	+\$177
Price Category 5	+\$667
Price Category (Geiger) 7	+\$1459
Price Category (Geiger) G	+\$1396
Price Category (Geiger) H	+\$1940
Price Category (Geiger) I	+\$2110
Price Category (Geiger) J	+\$3020

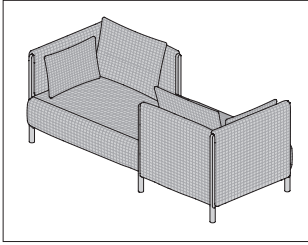
### Step 5. Leg Finish

<b>EN</b> ebony <input type="checkbox"/> A	+\$0
<b>OU</b> walnut <input type="checkbox"/> A	+\$0
<b>A2</b> white ash <input type="checkbox"/> A	+\$0
<b>SBA</b> soft blue ash <input type="checkbox"/> A	+\$0
<b>SGA</b> soft green ash <input type="checkbox"/> A	+\$0
<b>66A</b> recograin frosty ash <input type="checkbox"/> A	+\$0

### Step 6. Fire Retardancy

<b>NFR</b> not fire retardant <input type="checkbox"/> A	+\$0
<b>FR</b> fire retardant <input type="checkbox"/> A	+\$810

ColourForm Tete-a-Tete, Quilted, Single Textile AJN10



**Product Information**

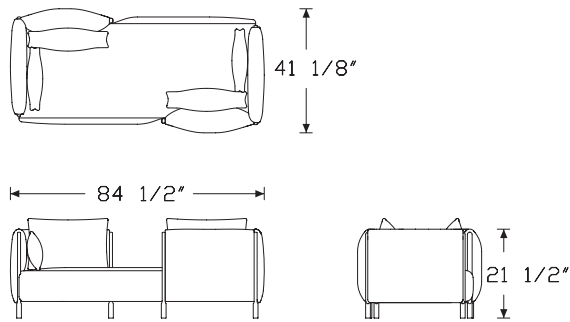
**Description**

This Tete-a-Tete has wooden frame construction with shaped foam and cover layers folded over the arm rest. Pillows are fiber filled for comfort. A plastic upholstery strip is stitched into the textile allowing the fabric to be stretched and pushed into place over the frame.

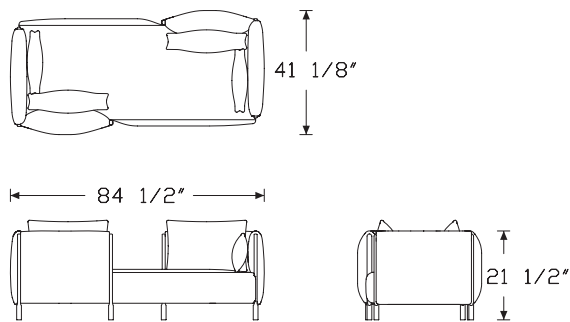
**Notes**

Handedness is determined from seated position.  
 Limited textile selection available. See application chart in appendices.

**Dimensions**



Tete-a-tete Left



Tete-a-tete Right

HermanMiller Collection—Sofas

**Specification Information**

**Step 1.**

AJN A

**Step 2. Configuration**

1006R tete-a-tete right A

1006L tete-a-tete left A

**Step 3. Upholstery Type**

Q1 quilted, single textile (outside quilted, inside not quilted, same color, same fabric family) A

**Prices for Steps 1-3.**

AJN1006R Q1 \$4924

AJN1006L Q1 \$4924

**Step 4. Outside/Inside Fabric**

Price Category (Geiger) 3 +\$1176

Price Category 5 +\$1666

Price Category (Geiger) G +\$2385

**Step 5. Leg Finish**

A2 white ash A +\$0

EN ebony A +\$0

OU walnut A +\$0

SBA soft blue ash A +\$0

SGA soft green ash A +\$0

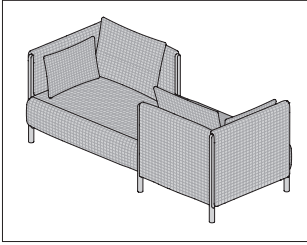
66A recograin frosty ash A +\$0

**Step 6. Fire Retardancy**

NFR not fire retardant A +\$0

FR fire retardant A +\$810

ColourForm Tete-a-Tete, Quilted, Two Textiles AJN10



**Product Information**

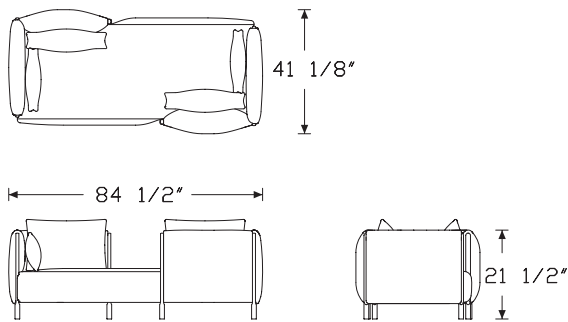
**Description**

This Tete-a-Tete has wooden frame construction with shaped foam and cover layers folded over the arm rest. Pillows are fiber filled for comfort. A plastic upholstery strip is stitched into the textile allowing the fabric to be stretched and pushed into place over the frame.

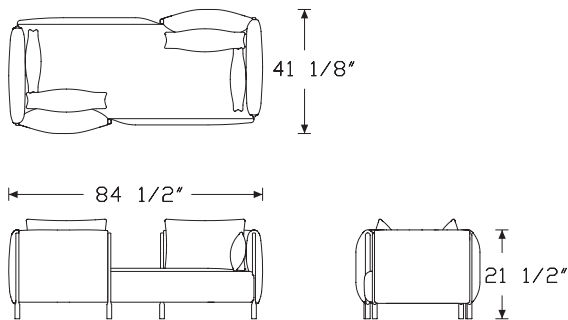
**Notes**

Handedness is determined from seated position.  
 Limited textile selection available. See application chart in appendices.

**Dimensions**



Tete-a-tete Left



Tete-a-tete Right

**Specification Information**

Step 1.

AJN  A

Step 2. Configuration

1006R tete-a-tete right  A

1006L tete-a-tete left  A

Step 3. Upholstery Type

Q2 quilted, two textiles (outside quilted, inside quilted)  A

Prices for Steps 1-3.

AJN1006R Q2 \$4924

AJN1006L Q2 \$4924

Step 4. Outside Fabric

Price Category (Geiger) G +\$2385

Step 5. Inside Fabric

Price Category (Geiger) G +\$0

Step 6. Leg Finish

A2 white ash  A +\$0

EN ebony  A +\$0

OU walnut  A +\$0

SBA soft blue ash  A +\$0

SGA soft green ash  A +\$0

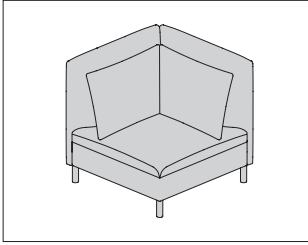
66A recograin frosty ash  A +\$0

Step 7. Fire Retardancy

NFR not fire retardant  A +\$0

FR fire retardant  A +\$810

ColourForm Corner, Not Quilted, Single Textile AJN10



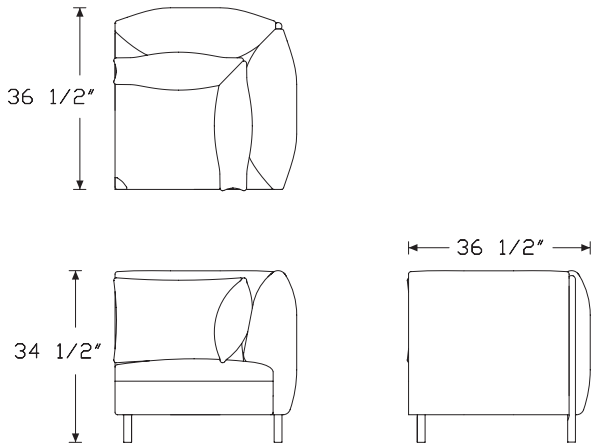
**Product Information**

**Description**  
 This corner seat has wooden frame construction with shaped foam and cover layers folded over the arm rest. Pillows are fiber filled for comfort. A plastic upholstery strip is stitched into the textile allowing the fabric to be stretched and pushed into place over the frame.

**Notes**  
 For modularity, order ganging kit (AJNG) separately.  
 Handedness is determined from seated position.  
 Limited textile selection available. See application chart in appendices.

**Dimensions**

HermanMiller Collection—Sofas



**Specification Information**

Step 1.

**AJN1005** A

Step 2. Upholstery Type

**N** not quilted, single textile A

Prices for Steps 1-2.

**AJN1005 N** \$2879

Step 3. Outside/Inside Fabric

Price Category (Geiger) D	+\$754
Price Category 2	+\$55
Price Category (Geiger) 3	+\$113
Price Category 5	+\$422
Price Category (Geiger) 7	+\$941
Price Category (Geiger) G	+\$873
Price Category (Geiger) H	+\$1215
Price Category (Geiger) I	+\$1329
Price Category (Geiger) J	+\$1729

Step 4. Leg Finish

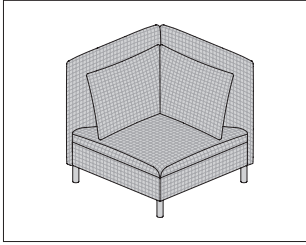
<b>EN</b> ebony <span style="border: 1px solid black; padding: 0 2px;">A</span>	+\$0
<b>OU</b> walnut <span style="border: 1px solid black; padding: 0 2px;">A</span>	+\$0
<b>A2</b> white ash <span style="border: 1px solid black; padding: 0 2px;">A</span>	+\$0
<b>SBA</b> soft blue ash <span style="border: 1px solid black; padding: 0 2px;">A</span>	+\$0
<b>SGA</b> soft green ash <span style="border: 1px solid black; padding: 0 2px;">A</span>	+\$0
<b>66A</b> recograin frosty ash <span style="border: 1px solid black; padding: 0 2px;">A</span>	+\$0

Step 5. Fire Retardancy

<b>NFR</b> not fire retardant <span style="border: 1px solid black; padding: 0 2px;">A</span>	+\$0
<b>FR</b> fire retardant <span style="border: 1px solid black; padding: 0 2px;">A</span>	+\$510

ColourForm Corner, Quilted,  
Single Textile

AJN10



**Product Information**

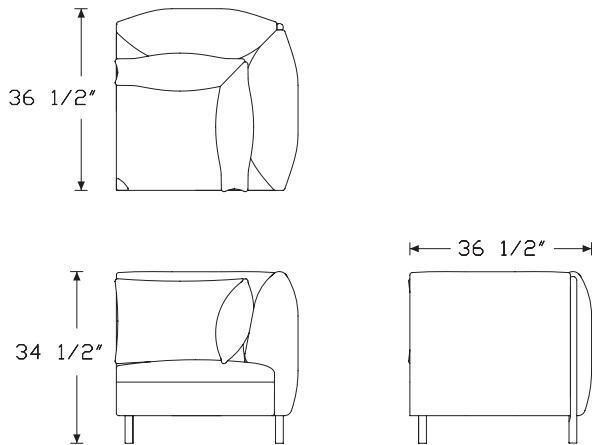
**Description**

This corner seat has wooden frame construction with shaped foam and cover layers folded over the arm rest. Pillows are fiber filled for comfort. A plastic upholstery strip is stitched into the textile allowing the fabric to be stretched and pushed into place over the frame.

**Notes**

For modularity, order ganging kit (AJNG) separately.  
Handedness is determined from seated position.  
Limited textile selection available. See application chart in appendices.

**Dimensions**



**Specification Information**

**Step 1.**

**AJN1005** [A]

**Step 2. Upholstery Type**

**Q1** quilted, single textile (outside quilted, inside not quilted, same color, same fabric family) [A]

**Prices for Steps 1-2.**

**AJN1005 Q1** \$2879

**Step 3. Outside/Inside Fabric**

Price Category (Geiger) 3 +\$742  
Price Category 5 +\$1051  
Price Category (Geiger) G +\$1502

**Step 4. Leg Finish**

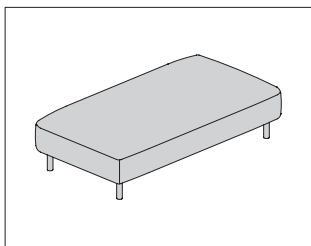
**A2** white ash [A] +\$0  
**EN** ebony [A] +\$0  
**OU** walnut [A] +\$0  
**SBA** soft blue ash [A] +\$0  
**SGA** soft green ash [A] +\$0  
**66A** recograin frosty ash [A] +\$0

**Step 5. Fire Retardancy**

**NFR** not fire retardant [A] +\$0  
**FR** fire retardant [A] +\$510

ColourForm Bench, Not Quilted,  
Single Textile

AJN2B  
AJN3B

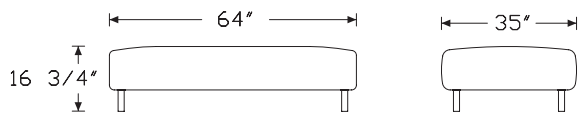


**Product Information**

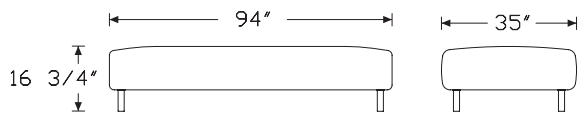
**Description**

This bench has wooden frame construction with shaped foam and cover layers folded over the arm rest. Pillows are fiber filled for comfort. A plastic upholstery strip is stitched into the textile allowing the fabric to be stretched and pushed into place over the frame.

**Dimensions**



2 Seat Bench



3 Seat Bench

HermanMiller Collection—Sofas

**Specification Information**

**Step 1.**

**AJN**  A

**Step 2. Configuration**

**2B** 2 seat bench  A

**3B** 3 seat bench  A

**Step 3. Upholstery Type**

**N** not quilted, single textile  A

**Prices for Steps 1-3.**

**AJN2B N** \$2208

**AJN3B N** \$2225

**Step 4. Bench Fabric**

Price Category 2	+ \$35
Price Category 5	+ \$260
Price Category (Geiger) 3	+ \$70
Price Category (Geiger) 7	+ \$581
Price Category (Geiger) G	+ \$539
Price Category (Geiger) H	+ \$750
Price Category (Geiger) I	+ \$820
Price Category (Geiger) J	+ \$1170
Price Category (Geiger) D	+ \$466

**Step 5. Leg Finish**

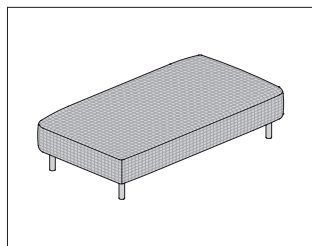
<b>A2</b> white ash <input type="checkbox"/> A	+ \$0
<b>EN</b> ebony <input type="checkbox"/> A	+ \$0
<b>OU</b> walnut <input type="checkbox"/> A	+ \$0
<b>SBA</b> soft blue ash <input type="checkbox"/> A	+ \$0
<b>SGA</b> soft green ash <input type="checkbox"/> A	+ \$0
<b>66A</b> recograin frosty ash <input type="checkbox"/> A	+ \$0

**Step 6. Fire Retardancy**

<b>NFR</b> not fire retardant <input type="checkbox"/> A	+ \$0
<b>FR</b> fire retardant <input type="checkbox"/> A	+ \$360

ColourForm Bench, Quilted,  
Single Textile

AJN2B  
AJN3B

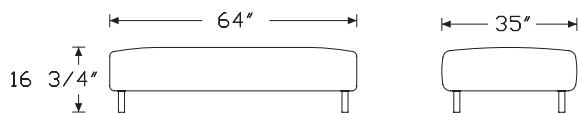


**Product Information**

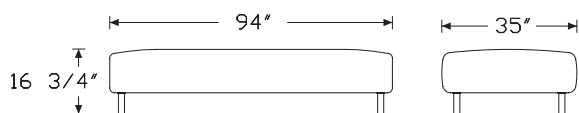
**Description**

This bench has wooden frame construction with shaped foam and cover layers folded over the arm rest. Pillows are fiber filled for comfort. A plastic upholstery strip is stitched into the textile allowing the fabric to be stretched and pushed into place over the frame.

**Dimensions**



2 Seat Bench



3 Seat Bench

**Specification Information**

**Step 1.**

**AJN**  A

**Step 2. Configuration**

**2B** 2 seat bench  A

**3B** 3 seat bench  A

**Step 3. Upholstery Type**

**Q1** quilted, single textile (outside quilted, inside not quilted, same color, same fabric family)  A

**Prices for Steps 1-3.**

**AJN2B Q1** \$2208

**AJN3B Q1** \$2225

**Step 4. Bench Fabric**

Price Category (Geiger) 3 +\$458

Price Category 5 +\$649

Price Category (Geiger) G +\$927

**Step 5. Leg Finish**

**A2** white ash  A +\$0

**EN** ebony  A +\$0

**OU** walnut  A +\$0

**SBA** soft blue ash  A +\$0

**SGA** soft green ash  A +\$0

**66A** recograin frosty ash  A +\$0

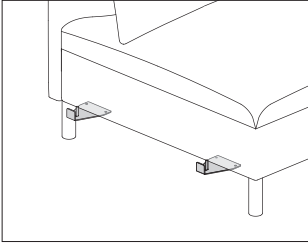
**Step 6. Fire Retardancy**

**NFR** not fire retardant  A +\$0

**FR** fire retardant  A +\$360

# ColourForm Ganging Kit

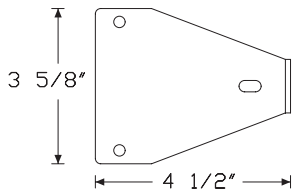
AJNG



### Product Information

**Description**  
This ganging kit is required for modularity as noted on product pages.

### Dimensions



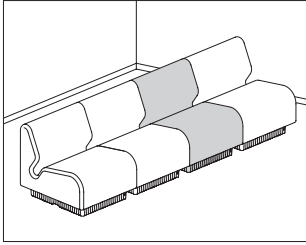
### Specification Information

**Step 1.**  
**AJNG** A \$75



# Chadwick Module

CM101  
 CM102  
 CM103  
 CM105  
 CM106



## Product Information

### Description

This fully upholstered foam module has a black molded base. Modules link together in any combination with loop connectors. 2 loop connectors are included with each module. Power components are sold separately.

### Notes

When specifying power components, fire retardant (FR) module must be specified.

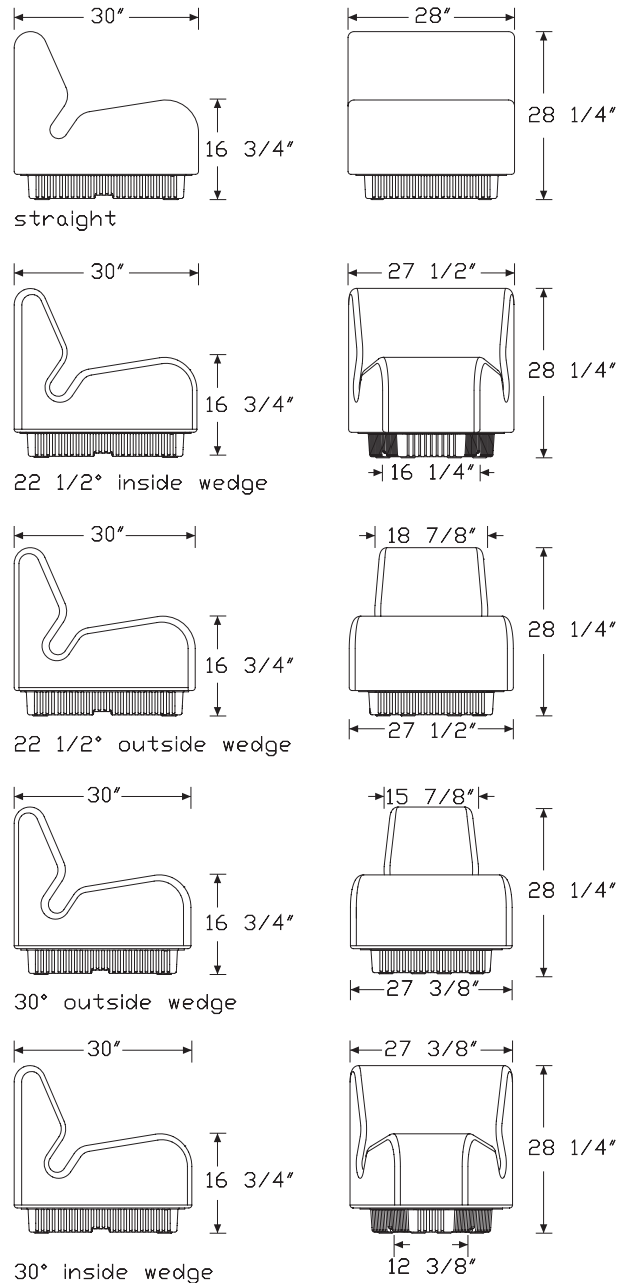
Order base covers (CM104N) separately.

Customer's Own Material (COM) requires 4 yards for nonrepeating fabric. See Order Information in Appendices. For more information, contact COM Department.

Fabrics with a repeat that must be matched, or that are less than 54" wide, require additional yardage. Use the following chart to determine COM yardage requirements. For fabric with both horizontal and vertical repeats, add the horizontal and vertical repeat inches together. Use the total number of repeat inches to determine the additional fabric needed.

Fabric	Plain	2"-10"	11"-20"	21"-25"	26"-30"
Width	Fabric	Repeat	Repeat	Repeat	Repeat
54"	0%	10%	15%	20%	25%
51"-53"	15%	20%	25%	30%	35%
48"-50"	30%	35%	40%	45%	50%
45"-47"	45%	50%	55%	60%	65%
36"-44"	60%	65%	70%	75%	80%

## Dimensions



**Specification Information**

Step 1.

**CM10** A

Step 2. Shape

- 1N** straight A
- 2N** 22½° inside wedge A
- 3N** 22½° outside wedge A
- 5N** 30° outside wedge A
- 6N** 30° inside wedge A

Step 3. Fire Retardancy

- NFR** not fire retardant A
- FR** fire retardant A

Prices for Steps 1-3.

<b>CM101N</b>	<b>NFR</b>	\$1494
	<b>FR</b>	\$1844
<hr/>		
<b>CM102N</b>	<b>NFR</b>	\$1442
	<b>FR</b>	\$1792
<hr/>		
<b>CM103N</b>	<b>NFR</b>	\$1442
	<b>FR</b>	\$1792
<hr/>		
<b>CM105N</b>	<b>NFR</b>	\$1442
	<b>FR</b>	\$1792
<hr/>		
<b>CM106N</b>	<b>NFR</b>	\$1442
	<b>FR</b>	\$1792

Step 4. Fabric

*See application chart and textiles list for fabric usage and numbers.  
First 2 digits of number indicate fabric line; remaining digit(s) indicate fabric color.*

*For not fire retardant (NFR)*

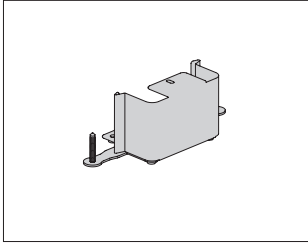
Price Category 1	+\$115
Price Category 2	+\$130
Price Category (Geiger) 4	+\$155
Price Category 5	+\$225
Price Category (Geiger) 7	+\$475
Price Category C	+\$145
Price Category G	+\$492
Price Category H	+\$609

*For fire retardant (FR)*

Price Category 1	+\$115
Price Category 2	+\$130
Price Category (Geiger) 4	+\$155
Price Category 5	+\$225

# Chadwick Base Cover Kit

CM104

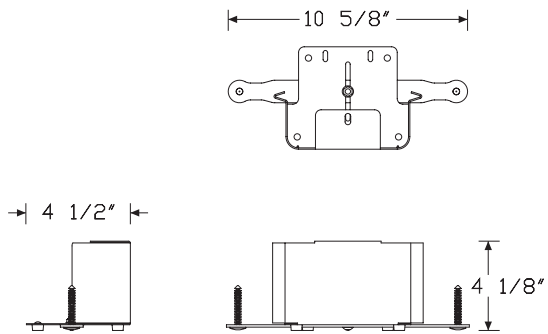


### Product Information

#### Description

This base cover kit fills the gap at the base between 2 Chadwick modules. Package contains 2 steel covers to accommodate the front and back sides of the modules.

#### Dimensions

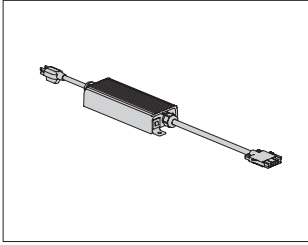


### Specification Information

#### Step 1.

CM104N A

\$129



**Product Information**

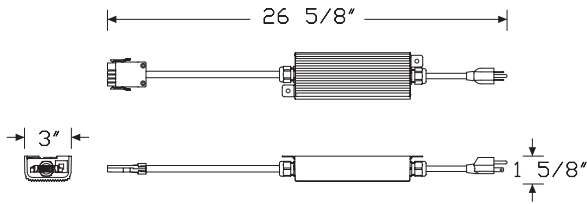
**Description**

This power entry connects a building's electrical supply from a wall, floor, or column to a Chadwick power receptacle kit. Entry can accommodate up to 8 duplex receptacles or 40' of cable length. Fire retardant Chadwick modules must be specified to be UL compliant. Power entry is UL listed.

**Notes**

Order power receptacle kit (CM108N) separately.

**Dimensions**



**Specification Information**

**Step 1.**

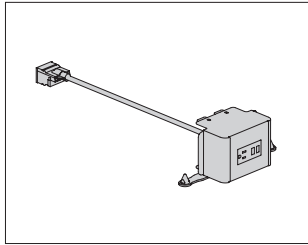
**CM107N** A \$351

**Step 2. Cord Length**

<b>A</b>	6' <span style="border: 1px solid black; padding: 0 2px;">A</span>	+\$0
<b>B</b>	10' <span style="border: 1px solid black; padding: 0 2px;">A</span>	+\$15
<b>C</b>	15' <span style="border: 1px solid black; padding: 0 2px;">A</span>	+\$40
<b>D</b>	25' <span style="border: 1px solid black; padding: 0 2px;">A</span>	+\$100

# Chadwick Receptacle Kit

CM108

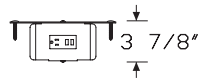
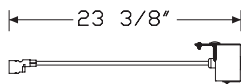
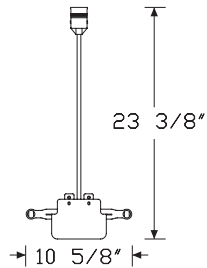


### Product Information

#### Description

This receptacle kit attaches between 2 Chadwick module bases and has a 110-volt receptacle and 2 USB ports. It includes a base cover for the back of the base. Faceplate may be mounted flush with the base or slightly proud of the base. Fire retardant Chadwick modules must be specified to be UL compliant. Receptacle kit is UL listed.

#### Dimensions

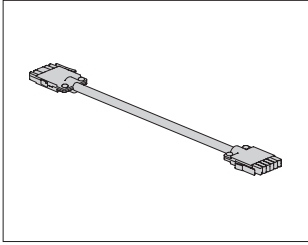


### Specification Information

#### Step 1.

CM108N A

\$315

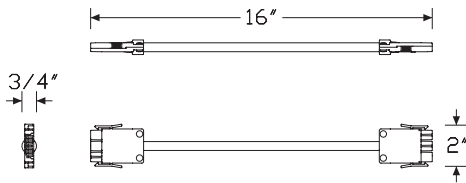


**Product Information**

**Description**  
 This power jumper connects power between 2 receptacle kits. Fire retardant Chadwick modules must be specified to be UL compliant. Jumper is UL listed.

**Notes**  
 Order power entry (CM107N) and receptacle kit (CM108N) separately.

**Dimensions**



**Specification Information**

**Step 1.**

**CM109N** A

**Step 2. Length**

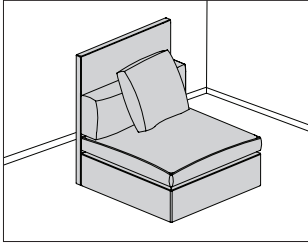
- A** 30" A
- B** 47" A
- C** 75" A
- D** 103" A

**Prices for Steps 1-2.**

<b>CM109N A</b>	\$78
<b>B</b>	\$88
<b>C</b>	\$98
<b>D</b>	\$109

# Module Lounge Seating with Privacy Back Single Seat

AL2C5



### Product Information

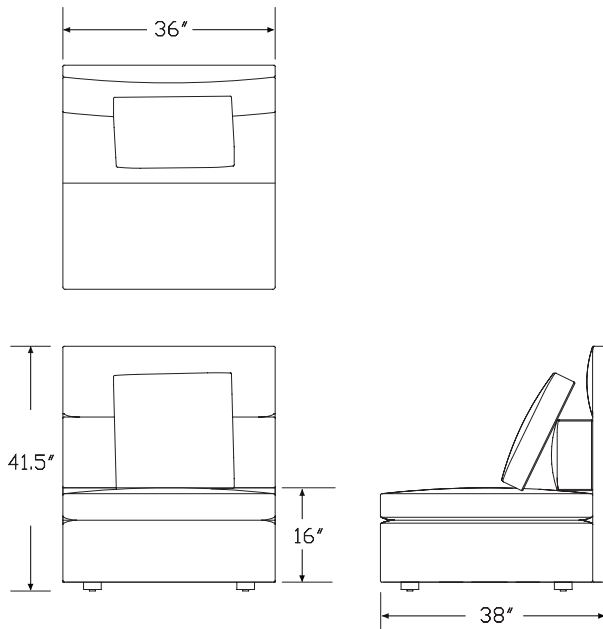
#### Description

This single seat with an upholstered back privacy partition has an attached seat cushion and loose back, side, and throw cushions. Adjustable glides and ganging hardware included.

#### Notes

Handedness is determined from a seated position.  
 Customer's Own Material (COM) requires 6 yards. Customer's Own Leather (COL) requires 119 square feet. See Order Information in Appendices.  
 Limited textile selection available. See application chart in appendices.

#### Dimensions



### Specification Information

#### Step 1.

**AL2C** [A]

#### Step 2. Configuration

**500A** armless [A]

#### Step 3. Upholstery Assignment

**S** single fabric [A]

#### Prices for Steps 1-3.

**AL2C500A S** \$3636

#### Step 4. Leg Finish

**EN** ebony [A] +\$0

#### Step 5. Fabric

Price Category 1	+\$0
Price Category 2	+\$163
Price Category 3	+\$91
Price Category (Geiger) 3	+\$103
Price Category 4	+\$209
Price Category (Geiger) 4	+\$179
Price Category 5	+\$357
Price Category (Geiger) 5	+\$304
Price Category (Geiger) 6	+\$429
Price Category 7	+\$665
Price Category (Geiger) 7	+\$737
Price Category 9	+\$1019
Price Category (Geiger) 9	+\$1019
Price Category 10	+\$1306
Price Category 11	+\$1522
Price Category 14	+\$1897
Price Category D	+\$0
Price Category G	+\$602
Price Category H	+\$327
Price Category J	+\$130

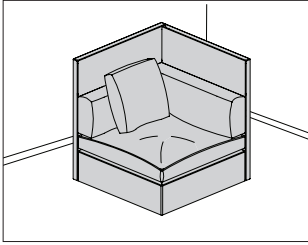
#### Step 6. Fire Retardancy

<b>NFR</b> not fire retardant [A]	+\$0
<b>FR</b> fire retardant [A]	+\$400

Herman Miller Collection - Sofas

# Module Lounge Seating with Privacy Back Corner

AL2C7



## Product Information

### Description

This corner with an upholstered back privacy partition has an attached seat cushion, and loose back, side, and throw cushions. Adjustable glides and ganging hardware included.

### Notes

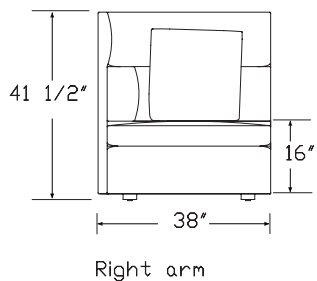
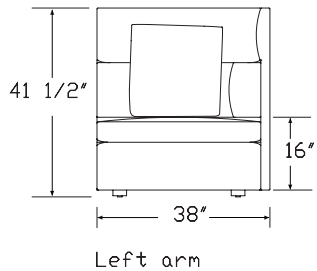
Handedness is determined from a seated position.

Corner piece can be used as end piece.

Customer's Own Material (COM) requires 8 yards. Customer's Own Leather (COL) requires 160 square feet. See Order Information in Appendices.

Limited textile selection available. See application chart in appendices.

## Dimensions



## Specification Information

### Step 1.

**AL2C**  A

### Step 2. Configuration

**700R** right arm corner  A

**700L** left arm corner  A

### Step 3. Upholstery Assignment

**S** single fabric  A

### Prices for Steps 1-3.

**AL2C700R S** \$3900

**AL2C700L S** \$3900

### Step 4. Leg Finish

**EN** ebony  A +\$0

### Step 5. Fabric

Price Category 1	+\$0
Price Category 2	+\$213
Price Category 3	+\$122
Price Category (Geiger) 3	+\$136
Price Category 4	+\$279
Price Category (Geiger) 4	+\$238
Price Category 5	+\$475
Price Category (Geiger) 5	+\$405
Price Category (Geiger) 6	+\$571
Price Category 7	+\$886
Price Category (Geiger) 7	+\$997
Price Category 9	+\$1333
Price Category (Geiger) 9	+\$1333
Price Category 10	+\$1742
Price Category 11	+\$2030
Price Category 14	+\$2481
Price Category D	+\$0
Price Category G	+\$1159
Price Category H	+\$1408
Price Category J	+\$1913

### Step 6. Fire Retardancy

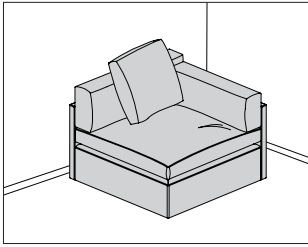
**NFR** not fire retardant  A +\$0

**FR** fire retardant  A +\$500



Module Lounge Seating Single  
Seat

AL2C1  
AL2C2



**Product Information**

**Description**

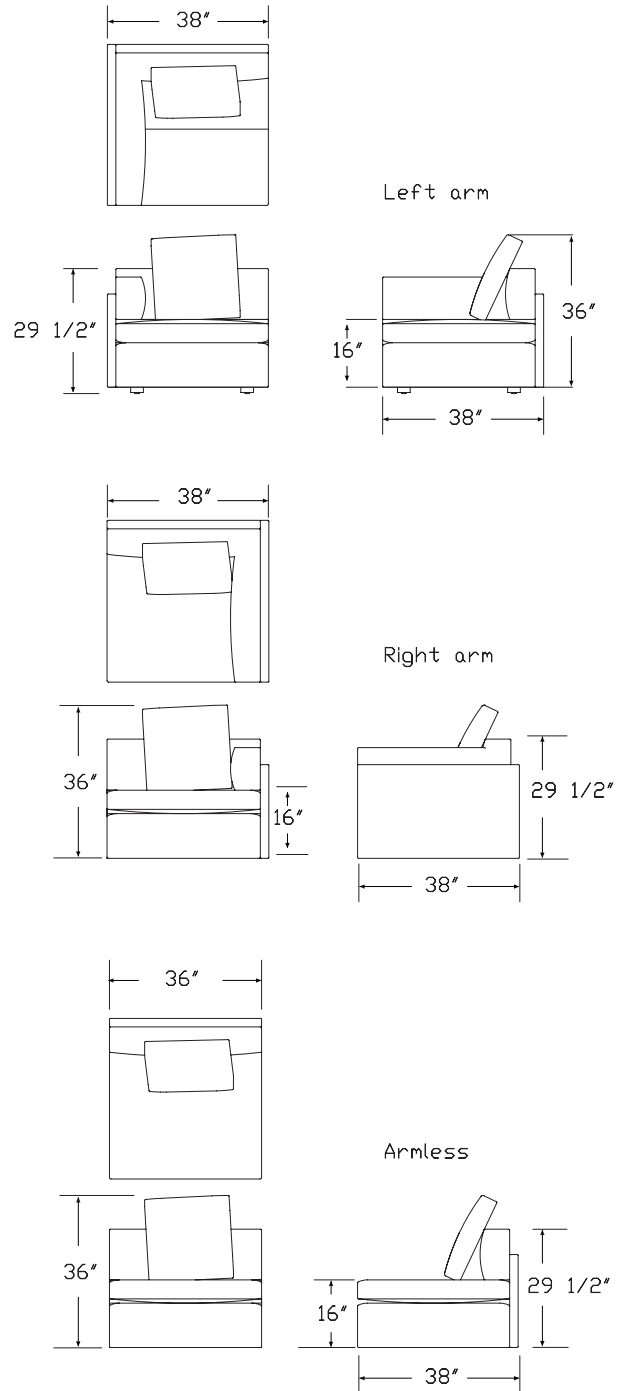
This single seat has an attached seat cushion and loose back, side and throw cushions. Adjustable glides and ganging hardware included.

**Notes**

Handedness is determined from a seated position.

Customer's Own Material (COM) requires 5 yards for armless, or 7½ yards for right arm and left arm configurations. Customer's Own Leather (COL) requires 90 square feet for armless, or 130 square feet for right arm and left arm configurations. See Order Information in Appendices. Limited textile selection available. See application chart in appendices.

**Dimensions**



# Module Lounge Seating Single Seat *continued*

## Specification Information

Step 1.

**AL2C**  A

Step 2. Configuration

**2000** armless  A

**100R** right arm  A

**100L** left arm  A

Step 3. Upholstery Assignment

**S** single fabric  A

Prices for Steps 1-3.

**AL2C2000 S** \$3333

**AL2C100R S** \$3939

**AL2C100L S** \$3939

Step 4. Leg Finish

**EN** ebony  A +\$0

Step 5. Fabric

Price Category 1 +\$0

Price Category 2 +\$90

Price Category 3 +\$114

Price Category (Geiger) 3 +\$76

Price Category 4 +\$262

Price Category (Geiger) 4 +\$194

Price Category 5 +\$297

Price Category (Geiger) 5 +\$329

Price Category (Geiger) 6 +\$464

Price Category 7 +\$554

Price Category (Geiger) 7 +\$554

Price Category 9 +\$1176

Price Category (Geiger) 9 +\$1176

Price Category 10 +\$1633

Price Category 11 +\$1903

Price Category 14 +\$2189

Price Category D +\$0

Price Category G +\$842

Price Category H +\$1051

Price Category J +\$1621

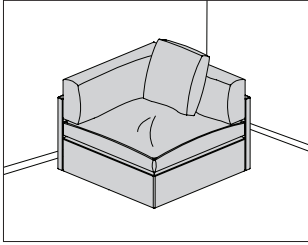
Step 6. Fire Retardancy

**NFR** not fire retardant  A +\$0

**FR** fire retardant  A +\$400

# Module Lounge Seating Corner

AL2C3



## Product Information

### Description

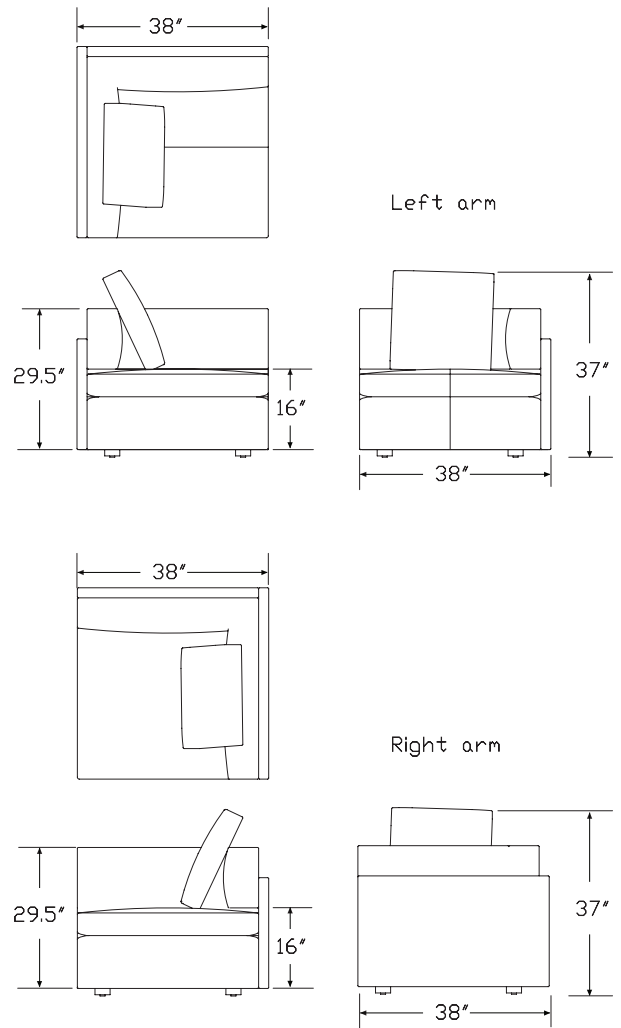
This corner has an attached seat cushion and loose back, side, and throw cushions. Adjustable glides and ganging hardware included.

### Notes

Customer's Own Material (COM) requires 7½ yards. Customer's Own Leather (COL) requires 130 square feet. See Order Information in Appendices.

Limited textile selection available. See application chart in appendices.

## Dimensions



Herman Miller Collection - Sofas

# Module Lounge Seating Corner

continued

## Specification Information

Step 1.

**AL2C**  A

Step 2. Configuration

**3000** corner  A

Step 3. Upholstery Assignment

**S** single fabric  A

Prices for Steps 1-3.

**AL2C3000 S** \$3131

Step 4. Leg Finish

**EN** ebony  A +\$0

Step 5. Fabric

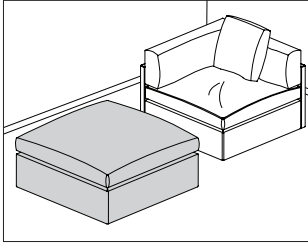
Price Category 1	+\$0
Price Category 2	+\$90
Price Category 3	+\$114
Price Category (Geiger) 3	+\$111
Price Category 4	+\$262
Price Category (Geiger) 4	+\$223
Price Category 5	+\$446
Price Category (Geiger) 5	+\$380
Price Category (Geiger) 6	+\$536
Price Category 7	+\$831
Price Category (Geiger) 7	+\$831
Price Category 9	+\$1176
Price Category (Geiger) 9	+\$1176
Price Category 10	+\$1633
Price Category 11	+\$1903
Price Category 14	+\$2189
Price Category D	+\$0
Price Category G	+\$271
Price Category H	+\$1051
Price Category J	+\$1621

Step 6. Fire Retardancy

**NFR** not fire retardant  A +\$0

**FR** fire retardant  A +\$450

Module Lounge Seating Ottoman AL2C4



**Product Information**

**Description**

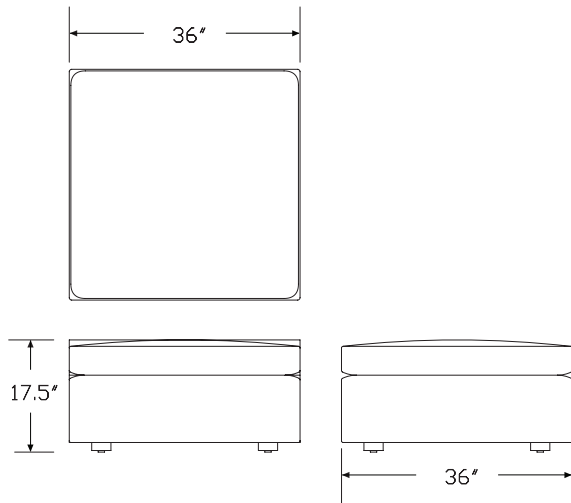
This ottoman has adjustable glides. Connecting hardware included.

**Notes**

Customer's Own Material (COM) requires 3 1/2 yards. Customer's Own Leather (COL) requires 57 square feet. See Order Information in Appendices.

Limited textile selection available. See application chart in appendices.

**Dimensions**



**Specification Information**

**Step 1.**

**AL2C** [A]

**Step 2. Configuration**

**4000** ottoman [A]

**Step 3. Upholstery Assignment**

**S** single fabric [A]

**Prices for Steps 1-3.**

**AL2C4000 S** \$3636

**Step 4. Leg Finish**

**EN** ebony [A] +\$0

**Step 5. Fabric**

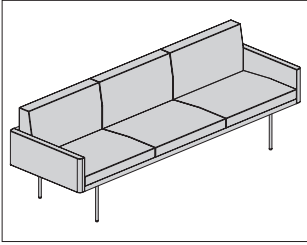
Price Category 1	+\$0
Price Category 2	+\$88
Price Category 3	+\$53
Price Category (Geiger) 3	+\$50
Price Category 4	+\$122
Price Category (Geiger) 4	+\$104
Price Category 5	+\$208
Price Category (Geiger) 5	+\$177
Price Category (Geiger) 6	+\$250
Price Category 7	+\$380
Price Category (Geiger) 7	+\$360
Price Category 9	+\$549
Price Category (Geiger) 9	+\$549
Price Category 10	+\$762
Price Category 11	+\$888
Price Category 14	+\$1021
Price Category D	+\$0
Price Category G	+\$359
Price Category H	+\$421
Price Category J	+\$512

**Step 6. Fire Retardancy**

<b>NFR</b> not fire retardant [A]	+\$0
<b>FR</b> fire retardant [A]	+\$200

# Tuxedo Component Lounge™ Sofa

ST3AL  
ST3AN  
ST3AQ  
ST3AR  
ST3NN  
ST3NQ



## Product Information

### Description

This sofa has a foam and Dacron® seat with a painted or plated steel base.

### Notes

Customer's Own Material (COM)/Customer's Own Leather (COL) requires the following:

Type—COM—COL

ST3NN—11¼ yards—202½ square feet

ST3NQ—11¼ yards—202½ square feet

ST3AN—13 yards—234 square feet

ST3AQ—13 yards—234 square feet

ST3ALN—12¼ yards—220½ square feet

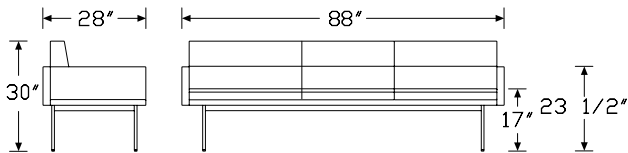
ST3ARN—12¼ yards—220½ square feet

ST3ALQ—12¼ yards—220½ square feet

ST3ARQ—12¼ yards—220½ square feet

See Order Information in Appendices for more information.

### Dimensions



## Specification Information

### Step 1.

ST3  A

### Step 2. Arms

N no arms  A

A arms  A

AL arm left, armless right  A

AR arm right, armless left  A

### Step 3. Upholstery Type

N not quilted  A

Q quilted  A

### Prices for Steps 1-3.

ST3NN		\$5030
ST3NQ		\$5200
ST3AN		\$5645
ST3AQ		\$5825
ST3AL	N	\$5260
	Q	\$5430
ST3AR	N	\$5260
	Q	\$5430

### Step 4. Upholstery

#### For not quilted (N)

	N	A	AL	AR
Price Category (Geiger) 1	+\$439	507	478	478
Price Category 1	+\$0	0	0	0
Price Category (Geiger) 2	+\$529	611	576	576
Price Category 2	+\$529	611	576	576
Price Category (Geiger) 3	+\$664	767	723	723
Price Category 3	+\$664	767	723	723
Price Category (Geiger) 4	+\$810	936	882	882
Price Category 4	+\$810	936	882	882
Price Category (Geiger) 5	+\$1181	1365	1287	1287
Price Category 5	+\$1181	1365	1287	1287
Price Category (Geiger) 6	+\$1553	1794	1691	1691
Price Category (Geiger) 7	+\$1924	2223	2095	2095
Price Category (Geiger) 8	+\$2948	3406	3210	3210
Price Category (Geiger) 9	+\$3656	4225	3982	3982
Price Category 9	+\$4225	4225	3982	3982
Price Category (Geiger) 10	+\$4208	4862	4582	4582
Price Category (Geiger) 11	+\$4714	5447	5133	5133
Price Category 14	+\$6176	7137	6726	6726

# Tuxedo Component Lounge™ Sofa

continued

Price Category (Geiger) A	+\$371	429	405	405
Price Category (Geiger) C	+\$596	689	650	650
Price Category (Geiger) D	+\$788	910	858	858
Price Category (Geiger) E	+\$956	1105	1042	1042
Price Category (Geiger) F	+\$1148	1326	1250	1250
Price Category (Geiger) G	+\$1564	1807	1703	1703
Price Category (Geiger) H	+\$1946	2249	2120	2120
Price Category H	+\$1294	1495	2120	0
Price Category (Geiger) I	+\$2351	2717	2561	2561
Price Category (Geiger) J	+\$2756	3185	3002	3002
Price Category (Geiger) K	+\$3161	3653	3443	3443
Price Category (Geiger) L	+\$3566	4121	3884	3884
Price Category (Geiger) M	+\$3971	4589	4325	4325
Price Category (Geiger) N	+\$4376	5057	4766	4766
Price Category (Geiger) O	+\$4781	5525	5207	5207
Price Category (Geiger) P	+\$5175	5980	5635	5635
Price Category (Geiger) Q	+\$5974	6903	6505	6505
Price Category (Geiger) R	+\$8325	9620	9065	9065
Price Category (Geiger) S	+\$8944	10335	9739	9739
Price Category (Geiger) V	+\$10800	12480	11760	11760
Price Category (Geiger) X	+\$12038	13910	13108	13108
Price Category (Geiger) Y	+\$12656	14625	13782	13782
Price Category (Geiger) COM <input type="checkbox"/>	+\$0	0	0	0
Price Category (Geiger) COL <input type="checkbox"/>	+\$810	936	882	882

## For quilted (Q)

	N	A	AL	AR
Price Category (Geiger) 1	+\$439	507	478	478
Price Category 1	+\$0	0	0	0
Price Category (Geiger) 2	+\$529	611	576	576
Price Category 2	+\$529	611	576	576
Price Category (Geiger) 3	+\$664	767	723	723
Price Category 3	+\$664	767	723	723
Price Category (Geiger) 4	+\$810	936	882	882
Price Category 4	+\$810	936	882	882
Price Category (Geiger) 5	+\$1181	1365	1287	1287
Price Category 5	+\$1181	1365	1287	1287
Price Category (Geiger) 6	+\$1553	1794	1691	1691
Price Category (Geiger) 7	+\$1924	2223	2095	2095
Price Category (Geiger) 8	+\$2948	3406	3210	3210
Price Category (Geiger) 9	+\$3656	4225	3982	3982
Price Category 9	+\$4225	4225	3982	3982
Price Category (Geiger) 10	+\$4208	4862	4582	4582
Price Category (Geiger) 11	+\$4714	5447	5133	5133
Price Category 14	+\$6176	7137	6726	6726
Price Category (Geiger) A	+\$371	429	405	405
Price Category (Geiger) C	+\$596	689	650	650

Price Category (Geiger) D	+\$788	910	858	858
Price Category (Geiger) E	+\$956	1105	1042	1042
Price Category (Geiger) F	+\$1148	1326	1250	1250
Price Category (Geiger) G	+\$1564	1807	1703	1703
Price Category (Geiger) H	+\$1946	2249	2120	2120
Price Category H	+\$1294	1495	0	2120
Price Category (Geiger) I	+\$2351	2717	2561	2561
Price Category (Geiger) J	+\$2756	3185	3002	3002
Price Category (Geiger) K	+\$3161	3653	3443	3443
Price Category (Geiger) L	+\$3566	4121	3884	3884
Price Category (Geiger) M	+\$3971	4589	4325	4325
Price Category (Geiger) N	+\$4376	5057	4766	4766
Price Category (Geiger) O	+\$4781	5525	5207	5207
Price Category (Geiger) P	+\$5175	5980	5635	5635
Price Category (Geiger) Q	+\$5974	6903	6505	6505
Price Category (Geiger) R	+\$8325	9620	9065	9065
Price Category (Geiger) S	+\$8944	10335	9739	9739
Price Category (Geiger) V	+\$10800	12480	11760	11760
Price Category (Geiger) COM <input type="checkbox"/>	+\$0	0	0	0
Price Category (Geiger) COL <input type="checkbox"/>	+\$810	936	882	882

## Step 5. Base Finish

<b>926</b> black <input type="checkbox"/>	+\$0
<b>AS</b> arctic silver <input type="checkbox"/>	+\$0
<b>WHT</b> white <input type="checkbox"/>	+\$0
<b>BNZ</b> bronze <input type="checkbox"/>	+\$645
<b>CHR</b> chrome <input type="checkbox"/>	+\$645
<b>SAC</b> satin chrome <input type="checkbox"/>	+\$645

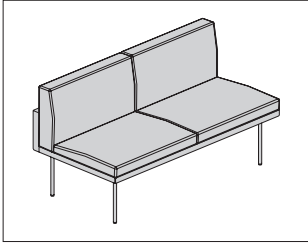
## Step 6. Fire Retardancy

	N	A	AL	AR
<b>NOCAL</b> not fire retardant <input type="checkbox"/>	+\$0	0	0	0
<b>133</b> fire retardant <input type="checkbox"/>	+\$732	845	797	797

Herman Miller Collection—Sofas

# Tuxedo Component Lounge™ Settee

ST2AL  
ST2AN  
ST2AQ  
ST2AR  
ST2NN  
ST2NQ



## Product Information

### Description

This settee has a foam and Dacron® seat with a painted or plated steel base.

### Notes

Customer's Own Material (COM)/Customer's Own Leather (COL) requires the following:

Type—COM—COL

ST2NN—7½ yards—135 square feet

ST2NQ—7½ yards—135 square feet

ST2AN—9¼ yards—166½ square feet

ST2AQ—9¼ yards—166½ square feet

ST2ALN—8½ yards—153 square feet

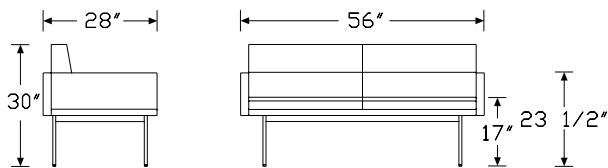
ST2ARN—8½ yards—153 square feet

ST2ALQ—8½ yards—153 square feet

ST2ARQ—8½ yards—153 square feet

See Order Information in Appendices for more information.

## Dimensions



## Specification Information

### Step 1.

ST2  A

### Step 2. Arms

N no arms  A

A arms  A

AL arm left, armless right  A

AR arm right, armless left  A

### Step 3. Upholstery Type

N not quilted  A

Q quilted  A

### Prices for Steps 1-3.

ST2NN		\$3635
ST2NQ		\$3740
ST2AN		\$4140
ST2AQ		\$4420
ST2AL N		\$3780
	Q	\$3910
ST2AR N		\$3780
	Q	\$3910

### Step 4. Upholstery

#### For not quilted (N)

	N	A	AL	AR
Price Category (Geiger) 1	+\$293	361	332	332
Price Category 1	+\$0	0	0	0
Price Category (Geiger) 2	+\$353	435	400	400
Price Category 2	+\$353	435	400	400
Price Category (Geiger) 3	+\$443	546	502	502
Price Category 3	+\$443	546	502	502
Price Category (Geiger) 4	+\$540	666	612	612
Price Category 4	+\$540	666	612	612
Price Category (Geiger) 5	+\$788	971	893	893
Price Category 5	+\$788	971	893	893
Price Category (Geiger) 6	+\$1035	1277	1173	1173
Price Category (Geiger) 7	+\$1283	1582	1454	1454
Price Category (Geiger) 8	+\$1965	2424	2227	2227
Price Category (Geiger) 9	+\$2438	3006	2763	2763
Price Category 9	+\$3006	3006	2763	2763
Price Category (Geiger) 10	+\$2805	3460	3179	3179
Price Category (Geiger) 11	+\$3143	3876	3562	3562
Price Category 14	+\$4118	5078	4667	4667



# Tuxedo Component Lounge™ Settee *continued*

Price Category (Geiger) A	+\$248	305	281	281	Price Category (Geiger) F	+\$765
Price Category (Geiger) C	+\$398	490	451	451	Price Category (Geiger) G	+\$1043
Price Category (Geiger) D	+\$525	648	595	595	Price Category (Geiger) H	+\$1298
Price Category (Geiger) E	+\$638	786	723	723	Price Category (Geiger) I	+\$1568
Price Category (Geiger) F	+\$765	944	867	867	Price Category (Geiger) J	+\$1838
Price Category (Geiger) G	+\$1043	1286	1182	1182	Price Category (Geiger) K	+\$2108
Price Category (Geiger) H	+\$1298	1600	1471	1471	Price Category (Geiger) L	+\$2378
Price Category (Geiger) I	+\$1568	1933	1777	1777	Price Category (Geiger) M	+\$2648
Price Category (Geiger) J	+\$1838	2266	2083	2083	Price Category (Geiger) N	+\$2918
Price Category (Geiger) K	+\$2108	2599	2389	2389	Price Category (Geiger) O	+\$3188
Price Category (Geiger) L	+\$2378	2932	2695	2695	Price Category (Geiger) P	+\$3450
Price Category (Geiger) M	+\$2648	3265	3001	3001	Price Category (Geiger) Q	+\$3983
Price Category (Geiger) N	+\$2918	3598	3307	3307	Price Category (Geiger) R	+\$5550
Price Category (Geiger) O	+\$3188	3931	3613	3613	Price Category (Geiger) S	+\$5963
Price Category (Geiger) P	+\$3450	4255	3910	3910	Price Category (Geiger) V	+\$7200
Price Category (Geiger) Q	+\$3983	4912	4514	4514	Price Category (Geiger) COL <span style="border: 1px solid black; padding: 0 2px;">A</span>	+\$540
Price Category (Geiger) R	+\$5550	6845	6290	6290	Price Category (Geiger) COM <span style="border: 1px solid black; padding: 0 2px;">A</span>	+\$0
Price Category (Geiger) S	+\$5963	7354	6758	6758		
Price Category (Geiger) V	+\$7200	8880	8160	8160		
Price Category (Geiger) X	+\$8025	9898	9095	9095		
Price Category (Geiger) Y	+\$8438	10406	9563	9563		
Price Category (Geiger) COM <span style="border: 1px solid black; padding: 0 2px;">A</span>	+\$0	0	0	0		
Price Category (Geiger) COL <span style="border: 1px solid black; padding: 0 2px;">A</span>	+\$540	666	612	612		
<hr/>						
<i>For no arms (N) with quilted (Q)</i>						
Price Category (Geiger) 1				+\$293		
Price Category 1				+\$0		
Price Category (Geiger) 2				+\$353		
Price Category 2				+\$353		
Price Category (Geiger) 3				+\$443		
Price Category 3				+\$443		
Price Category (Geiger) 4				+\$540		
Price Category 4				+\$540		
Price Category (Geiger) 5				+\$788		
Price Category 5				+\$788		
Price Category (Geiger) 6				+\$1035		
Price Category (Geiger) 7				+\$1283		
Price Category (Geiger) 8				+\$1965		
Price Category (Geiger) 9				+\$2438		
Price Category 9				+\$3006		
Price Category (Geiger) 10				+\$2805		
Price Category (Geiger) 11				+\$3143		
Price Category 14				+\$4118		
Price Category (Geiger) A				+\$248		
Price Category (Geiger) C				+\$398		
Price Category (Geiger) D				+\$525		
Price Category (Geiger) E				+\$638		
<hr/>						
<i>For arms (A) with quilted (Q)</i>						
Price Category (Geiger) 1						+\$361
Price Category 1						+\$0
Price Category (Geiger) 2						+\$435
Price Category 2						+\$435
Price Category (Geiger) 3						+\$546
Price Category 3						+\$546
Price Category (Geiger) 4						+\$666
Price Category 4						+\$666
Price Category (Geiger) 5						+\$971
Price Category 5						+\$971
Price Category (Geiger) 6						+\$1277
Price Category (Geiger) 7						+\$1582
Price Category (Geiger) 8						+\$2424
Price Category (Geiger) 9						+\$3006
Price Category 9						+\$3006
Price Category (Geiger) 10						+\$3460
Price Category (Geiger) 11						+\$3876
Price Category 14						+\$5078
Price Category (Geiger) A						+\$305
Price Category (Geiger) C						+\$490
Price Category (Geiger) D						+\$648
Price Category (Geiger) E						+\$786
Price Category (Geiger) F						+\$944
Price Category (Geiger) G						+\$1286
Price Category (Geiger) H						+\$1600
Price Category (Geiger) I						+\$1933
Price Category (Geiger) J						+\$2266
Price Category (Geiger) K						+\$2599

# Tuxedo Component Lounge™ Settee *continued*

Price Category (Geiger) L	+\$2932
Price Category (Geiger) M	+\$3265
Price Category (Geiger) N	+\$3598
Price Category (Geiger) O	+\$3931
Price Category (Geiger) P	+\$4255
Price Category (Geiger) Q	+\$4912
Price Category (Geiger) R	+\$6845
Price Category (Geiger) S	+\$7354
Price Category (Geiger) V	+\$8880
Price Category (Geiger) COM <span style="border: 1px solid black; padding: 0 2px;">A</span>	+\$0
Price Category (Geiger) COL <span style="border: 1px solid black; padding: 0 2px;">A</span>	+\$666

*For arm left, armless right (AL) with quilted (Q)*

Price Category (Geiger) 1	+\$332
Price Category 1	+\$0
Price Category (Geiger) 2	+\$400
Price Category 2	+\$400
Price Category (Geiger) 3	+\$502
Price Category 3	+\$502
Price Category (Geiger) 4	+\$612
Price Category 4	+\$612
Price Category (Geiger) 5	+\$893
Price Category 5	+\$893
Price Category (Geiger) 6	+\$1173
Price Category (Geiger) 7	+\$1454
Price Category (Geiger) 8	+\$2227
Price Category (Geiger) 9	+\$2763
Price Category 9	+\$2763
Price Category (Geiger) 10	+\$3179
Price Category (Geiger) 11	+\$3562
Price Category 14	+\$4667
Price Category (Geiger) A	+\$281
Price Category (Geiger) C	+\$451
Price Category (Geiger) D	+\$595
Price Category (Geiger) E	+\$723
Price Category (Geiger) F	+\$867
Price Category (Geiger) G	+\$1182
Price Category (Geiger) H	+\$1471
Price Category (Geiger) I	+\$1777
Price Category (Geiger) J	+\$2083
Price Category (Geiger) K	+\$2389
Price Category (Geiger) L	+\$2695
Price Category (Geiger) M	+\$3001
Price Category (Geiger) N	+\$3307
Price Category (Geiger) O	+\$3613
Price Category (Geiger) P	+\$3910
Price Category (Geiger) Q	+\$4514

Price Category (Geiger) R	+\$6290
Price Category (Geiger) S	+\$6758
Price Category (Geiger) V	+\$8160
Price Category (Geiger) COM <span style="border: 1px solid black; padding: 0 2px;">A</span>	+\$0
Price Category (Geiger) COL <span style="border: 1px solid black; padding: 0 2px;">A</span>	+\$612

*For arm right, armless left (AR) with quilted (Q)*

Price Category (Geiger) 1	+\$332
Price Category 1	+\$0
Price Category (Geiger) 2	+\$400
Price Category 2	+\$400
Price Category (Geiger) 3	+\$502
Price Category 3	+\$502
Price Category (Geiger) 4	+\$612
Price Category 4	+\$612
Price Category (Geiger) 5	+\$893
Price Category 5	+\$893
Price Category (Geiger) 6	+\$1173
Price Category (Geiger) 7	+\$1454
Price Category (Geiger) 8	+\$2227
Price Category (Geiger) 9	+\$2763
Price Category 9	+\$2763
Price Category (Geiger) 10	+\$3179
Price Category (Geiger) 11	+\$3562
Price Category 14	+\$4667
Price Category (Geiger) A	+\$281
Price Category (Geiger) C	+\$451
Price Category (Geiger) D	+\$595
Price Category (Geiger) E	+\$723
Price Category (Geiger) F	+\$867
Price Category (Geiger) G	+\$1182
Price Category (Geiger) H	+\$1471
Price Category (Geiger) I	+\$1777
Price Category (Geiger) J	+\$2083
Price Category (Geiger) K	+\$2389
Price Category (Geiger) L	+\$2695
Price Category (Geiger) M	+\$3001
Price Category (Geiger) N	+\$3307
Price Category (Geiger) O	+\$3613
Price Category (Geiger) P	+\$3910
Price Category (Geiger) Q	+\$4514
Price Category (Geiger) R	+\$6290
Price Category (Geiger) S	+\$6758
Price Category (Geiger) V	+\$8160
Price Category (Geiger) COM <span style="border: 1px solid black; padding: 0 2px;">A</span>	+\$0
Price Category (Geiger) COL <span style="border: 1px solid black; padding: 0 2px;">A</span>	+\$612

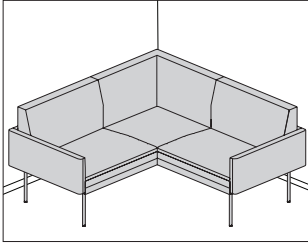
Tuxedo Component Lounge™  
Settee *continued*

Step 5. Base Finish		
<b>926</b>	black <input type="checkbox"/>	+\$0
<b>AS</b>	arctic silver <input type="checkbox"/>	+\$0
<b>WHT</b>	white <input type="checkbox"/>	+\$0
<b>BNZ</b>	bronze <input type="checkbox"/>	+\$645
<b>CHR</b>	chrome <input type="checkbox"/>	+\$645
<b>SAC</b>	satin chrome <input type="checkbox"/>	+\$645

Step 6. Fire Retardancy			N	A	AL	AR
<b>NOCAL</b>	not fire retardant <input type="checkbox"/>	+\$0	0	0	0	0
<b>133</b>	fire retardant <input type="checkbox"/>	+\$488	602	553	553	

Tuxedo Component Lounge™  
Settee Corner

ST2CL  
ST2CR



**Product Information**

**Description**

This corner settee has a foam and Dacron® seat with a painted or plated steel base.

**Notes**

Customer's Own Material (COM)/Customer's Own Leather (COL) requires the following:

Type—COM—COL

ST2CLNN/ST2CRNN—9¼ yards—166½ square feet

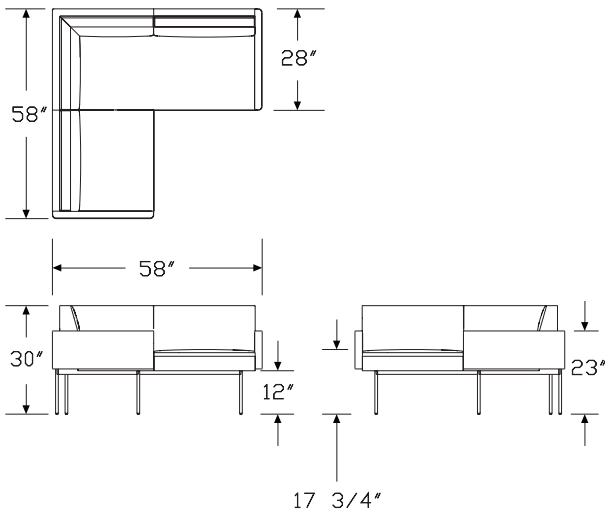
ST2CLNQ/ST2CRNQ—9¼ yards—166½ square feet

ST2CLAN/ST2CRAN—10¼ yards—184½ square feet

ST2CLAQ/ST2CRAQ—10¼ yards—184½ square feet

See Order Information in Appendices for more information.

**Dimensions**



HermanMiller Collection—Sofas

**Specification Information**

**Step 1.**

**ST2C**  A

**Step 2. Corner**

**L** corner left  A

**R** corner right  A

**Step 3. Arms**

**N** no arms  A

**A** arms  A

**Step 4. Upholstery Type**

**N** not quilted  A

**Q** quilted  A

**Prices for Steps 1-4.**

		N	Q
<b>ST2CL</b>	<b>N</b>	\$4385	4460
	<b>A</b>	\$4575	4770
<b>ST2CR</b>	<b>N</b>	\$4385	4460
	<b>A</b>	\$4575	4770

**Step 5. Upholstery**

*For no arms (N) with not quilted (N)*

Price Category (Geiger) 1	+\$293
Price Category 1	+\$0
Price Category (Geiger) 2	+\$353
Price Category 2	+\$353
Price Category (Geiger) 3	+\$443
Price Category 3	+\$443
Price Category (Geiger) 4	+\$540
Price Category 4	+\$540
Price Category (Geiger) 5	+\$788
Price Category 5	+\$788
Price Category (Geiger) 6	+\$1035
Price Category (Geiger) 7	+\$1283
Price Category (Geiger) 8	+\$1965
Price Category (Geiger) 9	+\$2438
Price Category 9	+\$2438
Price Category (Geiger) 10	+\$2805
Price Category (Geiger) 11	+\$3143
Price Category 14	+\$4118
Price Category (Geiger) A	+\$248
Price Category (Geiger) C	+\$398

# Tuxedo Component Lounge™ Settee Corner *continued*

Price Category (Geiger) D	+\$525	Price Category (Geiger) G	+\$1043	1286
Price Category (Geiger) E	+\$638	Price Category (Geiger) H	+\$1298	1600
Price Category (Geiger) F	+\$765	Price Category H	+\$1298	1600
Price Category (Geiger) G	+\$1043	Price Category (Geiger) I	+\$1568	1933
Price Category (Geiger) H	+\$1298	Price Category (Geiger) J	+\$1838	2266
Price Category H	+\$1298	Price Category (Geiger) K	+\$2108	2599
Price Category (Geiger) I	+\$1568	Price Category (Geiger) L	+\$2378	2932
Price Category (Geiger) J	+\$1838	Price Category (Geiger) M	+\$2648	3265
Price Category (Geiger) K	+\$2108	Price Category (Geiger) N	+\$2918	3598
Price Category (Geiger) L	+\$2378	Price Category (Geiger) O	+\$3188	3931
Price Category (Geiger) M	+\$2648	Price Category (Geiger) P	+\$3450	4255
Price Category (Geiger) N	+\$2918	Price Category (Geiger) Q	+\$3983	4912
Price Category (Geiger) O	+\$3188	Price Category (Geiger) R	+\$5550	6845
Price Category (Geiger) P	+\$3450	Price Category (Geiger) S	+\$5963	7354
Price Category (Geiger) Q	+\$3983	Price Category (Geiger) V	+\$7200	8880
Price Category (Geiger) R	+\$5550	Price Category (Geiger) COM <span style="border: 1px solid black; padding: 0 2px;">A</span>	+\$0	0
Price Category (Geiger) S	+\$5963	Price Category (Geiger) COL <span style="border: 1px solid black; padding: 0 2px;">A</span>	+\$540	666
Price Category (Geiger) V	+\$7200			
Price Category (Geiger) X	+\$8025			
Price Category (Geiger) Y	+\$8438			
Price Category (Geiger) COM <span style="border: 1px solid black; padding: 0 2px;">A</span>	+\$0			
Price Category (Geiger) COL <span style="border: 1px solid black; padding: 0 2px;">A</span>	+\$540			

*For quilted (Q)*

	N	A
Price Category (Geiger) 1	+\$293	361
Price Category 1	+\$0	0
Price Category (Geiger) 2	+\$353	435
Price Category 2	+\$353	435
Price Category (Geiger) 3	+\$443	546
Price Category 3	+\$443	546
Price Category (Geiger) 4	+\$540	666
Price Category 4	+\$540	666
Price Category (Geiger) 5	+\$788	971
Price Category 5	+\$788	971
Price Category (Geiger) 7	+\$1283	1582
Price Category (Geiger) 8	+\$1965	2424
Price Category (Geiger) 9	+\$2438	3006
Price Category 9	+\$2438	3006
Price Category (Geiger) 10	+\$2805	3460
Price Category (Geiger) 11	+\$3143	3876
Price Category 14	+\$4118	5078
Price Category (Geiger) A	+\$248	305
Price Category (Geiger) C	+\$398	490
Price Category (Geiger) D	+\$525	648
Price Category (Geiger) E	+\$638	786
Price Category (Geiger) F	+\$765	944

*For arms (A) with not quilted (N)*

Price Category (Geiger) 1	+\$361
Price Category 1	+\$0
Price Category (Geiger) 2	+\$435
Price Category 2	+\$435
Price Category (Geiger) 3	+\$546
Price Category 3	+\$546
Price Category (Geiger) 4	+\$666
Price Category 4	+\$666
Price Category (Geiger) 5	+\$971
Price Category 5	+\$971
Price Category (Geiger) 6	+\$1277
Price Category (Geiger) 7	+\$1582
Price Category (Geiger) 8	+\$2424
Price Category (Geiger) 9	+\$3006
Price Category 9	+\$3006
Price Category (Geiger) 10	+\$3460
Price Category (Geiger) 11	+\$3876
Price Category 14	+\$5078
Price Category (Geiger) A	+\$305
Price Category (Geiger) C	+\$490
Price Category (Geiger) D	+\$648
Price Category (Geiger) E	+\$786
Price Category (Geiger) F	+\$944
Price Category (Geiger) G	+\$1286
Price Category H	+\$1600
Price Category (Geiger) H	+\$1600
Price Category (Geiger) I	+\$1933
Price Category (Geiger) J	+\$2266

# Tuxedo Component Lounge™ Settee Corner *continued*

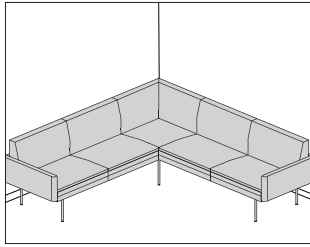
Price Category (Geiger) K	+\$2599
Price Category (Geiger) L	+\$2932
Price Category (Geiger) M	+\$3265
Price Category (Geiger) N	+\$3598
Price Category (Geiger) O	+\$3931
Price Category (Geiger) P	+\$4255
Price Category (Geiger) Q	+\$4912
Price Category (Geiger) R	+\$6845
Price Category (Geiger) S	+\$7354
Price Category (Geiger) V	+\$8880
Price Category (Geiger) X	+\$9898
Price Category (Geiger) Y	+\$10406
Price Category (Geiger) COM <input type="checkbox"/>	+\$0
Price Category (Geiger) COL <input type="checkbox"/>	+\$666

HermanMiller Collection—Sofas

Step 6. Base Finish		
<b>926</b>	black <input type="checkbox"/>	+\$0
<b>AS</b>	arctic silver <input type="checkbox"/>	+\$0
<b>WHT</b>	white <input type="checkbox"/>	+\$0
<b>BNZ</b>	bronze <input type="checkbox"/>	+\$645
<b>CHR</b>	chrome <input type="checkbox"/>	+\$645
<b>SAC</b>	satin chrome <input type="checkbox"/>	+\$645

Step 7. Fire Retardancy			N	A
<b>NOCAL</b>	not fire retardant <input type="checkbox"/>	+\$0	0	
<b>133</b>	fire retardant <input type="checkbox"/>	+\$602	488	

Tuxedo Component Lounge™ Sofa ST3CL  
 Corner ST3CR



**Product Information**

**Description**

This corner sofa has a foam and Dacron® seat with a painted or plated steel base.

**Notes**

Customer's Own Material (COM)/Customer's Own Leather (COL) requires the following:

Type—COM—COL

ST3CLNN/ST3CRNN—13 yards—234 square feet

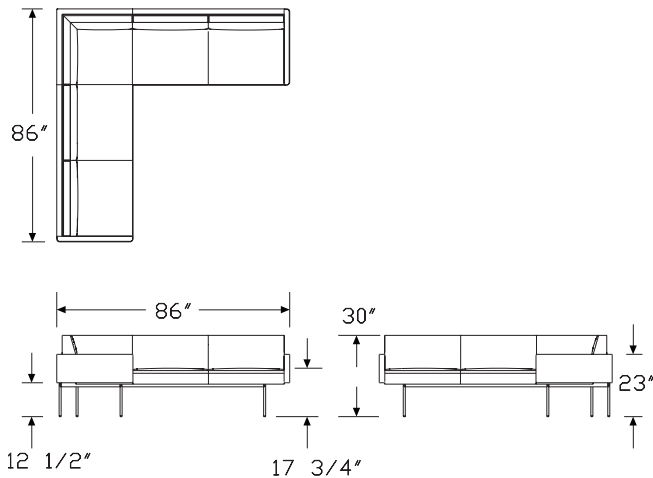
ST3CLNQ/ST3CRNQ—13 yards—234 square feet

ST3CLAN/ST3CRAN—14 yards—252 square feet

ST3CLAQ/ST3CRAQ—14 yards—252 square feet

See Order Information in Appendices for more information.

**Dimensions**



**Specification Information**

**Step 1.**

ST3C [A]

**Step 2. Corner**

L corner left [A]

R corner right [A]

**Step 3. Arms**

N no arms [A]

A arms [A]

**Step 4. Upholstery Type**

N not quilted [A]

Q quilted [A]

**Prices for Steps 1-4.**

	N	Q
ST3CL N	\$5810	5880
A	\$6015	6185
ST3CR N	\$5810	5880
A	\$6015	6185

**Step 5. Upholstery**

*For not quilted (N)*

	N	A
Price Category (Geiger) 1	+\$507	546
Price Category 1	+\$0	0
Price Category (Geiger) 2	+\$611	658
Price Category 2	+\$611	658
Price Category (Geiger) 3	+\$767	826
Price Category 3	+\$767	826
Price Category (Geiger) 4	+\$936	1008
Price Category 4	+\$936	1008
Price Category (Geiger) 5	+\$1365	1470
Price Category 5	+\$1365	1470
Price Category (Geiger) 6	+\$1794	1932
Price Category (Geiger) 7	+\$2223	2394
Price Category (Geiger) 8	+\$3406	3668
Price Category (Geiger) 9	+\$4225	4550
Price Category 9	+\$4225	4550
Price Category (Geiger) 10	+\$4862	5236
Price Category (Geiger) 11	+\$5447	5866
Price Category 14	+\$7137	7686
Price Category (Geiger) A	+\$429	462

# Tuxedo Component Lounge™ Sofa

## Corner *continued*

Price Category (Geiger) C	+\$689	742
Price Category (Geiger) D	+\$910	980
Price Category (Geiger) E	+\$1105	1190
Price Category (Geiger) F	+\$1326	1428
Price Category (Geiger) G	+\$1807	1946
Price Category (Geiger) H	+\$2249	2422
Price Category H	+\$2249	2422
Price Category (Geiger) I	+\$2717	2926
Price Category (Geiger) J	+\$3185	3430
Price Category (Geiger) K	+\$3653	3934
Price Category (Geiger) L	+\$4121	4438
Price Category (Geiger) M	+\$4589	4942
Price Category (Geiger) N	+\$5057	5446
Price Category (Geiger) O	+\$5525	5950
Price Category (Geiger) P	+\$5980	6440
Price Category (Geiger) Q	+\$6903	7434
Price Category (Geiger) R	+\$9620	10360
Price Category (Geiger) S	+\$10335	11130
Price Category (Geiger) V	+\$12480	13440
Price Category (Geiger) X	+\$13910	14980
Price Category (Geiger) Y	+\$14625	15750
Price Category (Geiger) COM <span style="border: 1px solid black; padding: 0 2px;">A</span>	+\$0	0
Price Category (Geiger) COL <span style="border: 1px solid black; padding: 0 2px;">A</span>	+\$936	1008

*For quilted (Q)*

	N	A
Price Category (Geiger) 1	+\$507	546
Price Category 1	+\$0	0
Price Category (Geiger) 2	+\$611	658
Price Category 2	+\$611	658
Price Category (Geiger) 3	+\$767	826
Price Category 3	+\$767	826
Price Category (Geiger) 4	+\$936	1008
Price Category 4	+\$936	1008
Price Category (Geiger) 5	+\$1365	1470
Price Category 5	+\$1365	1470
Price Category (Geiger) 7	+\$2223	2394
Price Category (Geiger) 8	+\$3406	3668
Price Category (Geiger) 9	+\$4225	4550
Price Category 9	+\$4225	4550
Price Category (Geiger) 10	+\$4862	5236
Price Category (Geiger) 11	+\$5447	5866
Price Category 14	+\$7137	7686
Price Category (Geiger) A	+\$429	462
Price Category (Geiger) C	+\$689	742
Price Category (Geiger) D	+\$910	980
Price Category (Geiger) E	+\$1105	1190

Price Category (Geiger) F	+\$1326	1428
Price Category (Geiger) G	+\$1807	1946
Price Category (Geiger) H	+\$2249	2422
Price Category H	+\$2249	2422
Price Category (Geiger) I	+\$2717	2926
Price Category (Geiger) J	+\$3185	3430
Price Category (Geiger) K	+\$3653	3934
Price Category (Geiger) L	+\$4121	4438
Price Category (Geiger) M	+\$4589	4942
Price Category (Geiger) N	+\$5057	5446
Price Category (Geiger) O	+\$5525	5950
Price Category (Geiger) P	+\$5980	6440
Price Category (Geiger) Q	+\$6903	7434
Price Category (Geiger) R	+\$9620	10360
Price Category (Geiger) S	+\$10335	11130
Price Category (Geiger) V	+\$12480	13440
Price Category (Geiger) COM <span style="border: 1px solid black; padding: 0 2px;">A</span>	+\$0	0
Price Category (Geiger) COL <span style="border: 1px solid black; padding: 0 2px;">A</span>	+\$936	1008

Step 6. Base Finish

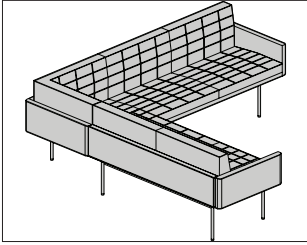
<b>926</b> black <span style="border: 1px solid black; padding: 0 2px;">A</span>	+\$0
<b>AS</b> arctic silver <span style="border: 1px solid black; padding: 0 2px;">A</span>	+\$0
<b>WHT</b> white <span style="border: 1px solid black; padding: 0 2px;">A</span>	+\$0
<b>BNZ</b> bronze <span style="border: 1px solid black; padding: 0 2px;">A</span>	+\$645
<b>CHR</b> chrome <span style="border: 1px solid black; padding: 0 2px;">A</span>	+\$645
<b>SAC</b> satin chrome <span style="border: 1px solid black; padding: 0 2px;">A</span>	+\$645

Step 7. Fire Retardancy

	N	A
<b>NOCAL</b> not fire retardant <span style="border: 1px solid black; padding: 0 2px;">A</span>	+\$0	0
<b>133</b> fire retardant <span style="border: 1px solid black; padding: 0 2px;">A</span>	+\$910	845



Tuxedo Component Lounge™ ST2MN  
 Corner Sofa with Attached Settee ST2MQ



**Product Information**

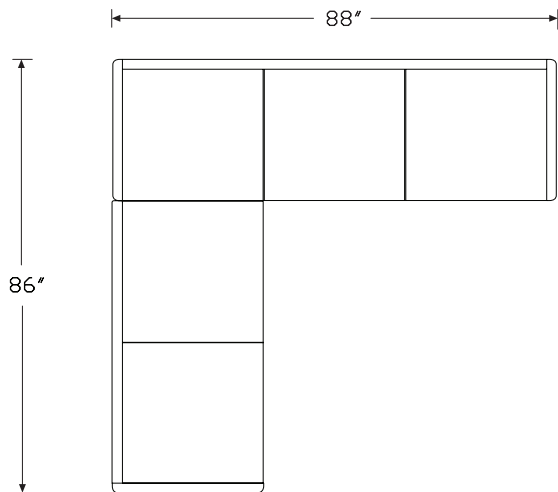
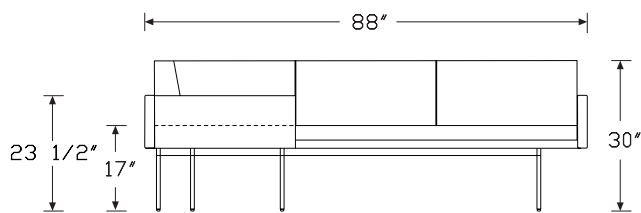
**Description**

This corner sofa with attached settee has a foam and Dacron® seat with a painted or plated steel base.

**Notes**

COM/COL requires 25¼ yards/450 square feet.

**Dimensions**



Shown above - Corner sofa left, settee right (R)

**Specification Information**

**Step 1.**

**ST2M**  A

**Step 2. Upholstery Type**

**N-** not quilted  A

**Q-** quilted  A

**Step 3. Settee Position**

**L** corner sofa right, settee left  A

**R** corner sofa left, settee right  A

**Prices for Steps 1-3.**

<b>ST2MN- L</b>	\$9750
<b>R</b>	\$9750

<b>ST2MQ- L</b>	\$10045
<b>R</b>	\$10045

**Step 4. Upholstery**

*For not quilted (N-)*

Price Category (Geiger) 1	+\$0
Price Category 1	+\$0
Price Category (Geiger) 2	+\$0
Price Category 2	+\$0
Price Category (Geiger) 3	+\$1328
Price Category 3	+\$1328
Price Category (Geiger) 4	+\$1620
Price Category 4	+\$1620
Price Category (Geiger) 5	+\$2363
Price Category 5	+\$2363
Price Category (Geiger) 6	+\$3105
Price Category (Geiger) 7	+\$3848
Price Category (Geiger) 8	+\$5895
Price Category (Geiger) 9	+\$7313
Price Category 9	+\$7313
Price Category (Geiger) 10	+\$8415
Price Category (Geiger) 11	+\$9428
Price Category (Geiger) 14	+\$12353
Price Category (Geiger) A	+\$1238
Price Category (Geiger) C	+\$1463
Price Category (Geiger) D	+\$1688
Price Category (Geiger) E	+\$1913
Price Category (Geiger) F	+\$2138
Price Category (Geiger) G	+\$2363
Price Category (Geiger) H	+\$2588

# Tuxedo Component Lounge™ Corner Sofa with Attached Settee

continued

HermanMiller Collection—Sofas

Price Category (Geiger) I	+\$4703
Price Category (Geiger) J	+\$2925
Price Category (Geiger) K	+\$3263
Price Category (Geiger) L	+\$3600
Price Category (Geiger) M	+\$4050
Price Category (Geiger) N	+\$4500
Price Category (Geiger) O	+\$9563
Price Category (Geiger) P	+\$4950
Price Category (Geiger) Q	+\$10125
Price Category (Geiger) R	+\$16650
Price Category (Geiger) S	+\$17888
Price Category (Geiger) V	+\$21600
Price Category (Geiger) X	+\$24075
Price Category (Geiger) Y	+\$25313
Price Category (Geiger) COM <span style="border: 1px solid black; padding: 0 2px;">A</span>	+\$0
Price Category (Geiger) COL <span style="border: 1px solid black; padding: 0 2px;">A</span>	+\$2025

## For quilted (Q-)

Price Category (Geiger) 1	+\$0
Price Category 1	+\$0
Price Category (Geiger) 2	+\$0
Price Category 2	+\$0
Price Category (Geiger) 3	+\$1328
Price Category 3	+\$1328
Price Category (Geiger) 4	+\$1620
Price Category 4	+\$1620
Price Category (Geiger) 5	+\$2363
Price Category 5	+\$2363
Price Category (Geiger) 6	+\$3105
Price Category (Geiger) 7	+\$3848
Price Category (Geiger) 8	+\$5895
Price Category (Geiger) 9	+\$7313
Price Category 9	+\$7313
Price Category (Geiger) 10	+\$8415
Price Category (Geiger) 11	+\$9428
Price Category (Geiger) 14	+\$12353
Price Category (Geiger) A	+\$1238
Price Category (Geiger) C	+\$1463
Price Category (Geiger) D	+\$1688
Price Category (Geiger) E	+\$1913
Price Category (Geiger) F	+\$2138
Price Category (Geiger) G	+\$2363
Price Category (Geiger) H	+\$2588
Price Category (Geiger) I	+\$4703
Price Category (Geiger) J	+\$2925
Price Category (Geiger) K	+\$3263
Price Category (Geiger) L	+\$3600

Price Category (Geiger) M	+\$4050
Price Category (Geiger) N	+\$4500
Price Category (Geiger) O	+\$9563
Price Category (Geiger) P	+\$4950
Price Category (Geiger) Q	+\$10125
Price Category (Geiger) R	+\$16650
Price Category (Geiger) S	+\$17888
Price Category (Geiger) V	+\$21600
Price Category (Geiger) COM <span style="border: 1px solid black; padding: 0 2px;">A</span>	+\$0
Price Category (Geiger) COL <span style="border: 1px solid black; padding: 0 2px;">A</span>	+\$2025

## Step 5. Base Finish

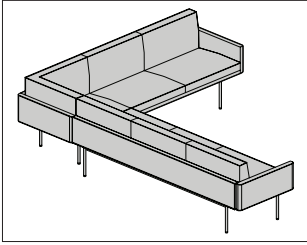
<b>926</b> black <span style="border: 1px solid black; padding: 0 2px;">A</span>	+\$0
<b>AS</b> arctic silver <span style="border: 1px solid black; padding: 0 2px;">A</span>	+\$0
<b>WHT</b> white <span style="border: 1px solid black; padding: 0 2px;">A</span>	+\$0
<b>BNZ</b> bronze <span style="border: 1px solid black; padding: 0 2px;">A</span>	+\$1290
<b>CHR</b> chrome <span style="border: 1px solid black; padding: 0 2px;">A</span>	+\$1290
<b>SAC</b> satin chrome <span style="border: 1px solid black; padding: 0 2px;">A</span>	+\$1290

## Step 6. Fire Retardancy

<b>NOCAL</b> not fire retardant <span style="border: 1px solid black; padding: 0 2px;">A</span>	+\$0
<b>133</b> fire retardant <span style="border: 1px solid black; padding: 0 2px;">A</span>	+\$1463

Tuxedo Component Lounge™  
 Corner Sofa with Attached Sofa

ST3MN  
 ST3MQ



**Product Information**

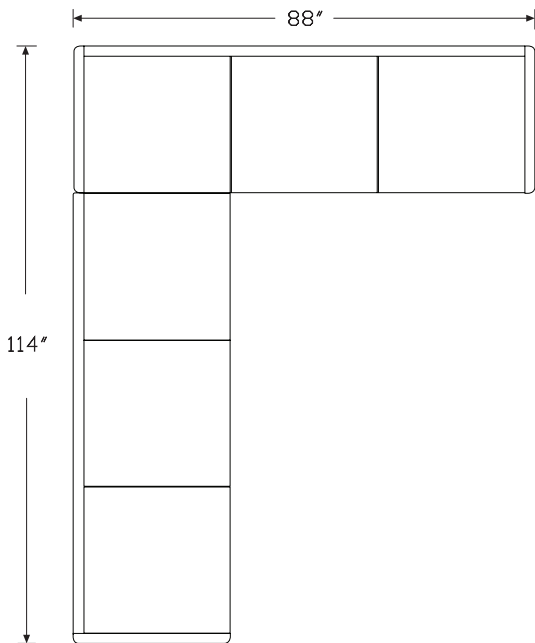
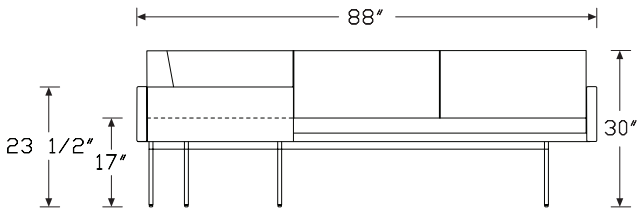
**Description**

This corner sofa with attached sofa has a foam and Dacron® seat with a painted or plated steel base.

**Notes**

COM/COL requires 28½ yards/513 square feet.

**Dimensions**



Shown above - Corner sofa left,  
 sofa right (R)

**Specification Information**

**Step 1.**

**ST3M**  A

**Step 2. Upholstery Type**

**N-** not quilted  A

**Q-** quilted  A

**Step 3. Sofa Position**

**L** corner sofa right, sofa left  A

**R** corner sofa left, sofa right  A

**Prices for Steps 1-3.**

<b>ST3MN- L</b>	\$11225
<b>R</b>	\$11225

<b>ST3MQ- L</b>	\$11560
<b>R</b>	\$11560

**Step 4. Upholstery**

*For quilted (Q-)*

Price Category (Geiger) 1	+\$0
Price Category 1	+\$0
Price Category (Geiger) 2	+\$0
Price Category 2	+\$0
Price Category (Geiger) 3	+\$1534
Price Category 3	+\$1534
Price Category (Geiger) 4	+\$1872
Price Category 4	+\$1872
Price Category (Geiger) 5	+\$2730
Price Category 5	+\$2730
Price Category (Geiger) 6	+\$3588
Price Category (Geiger) 7	+\$4446
Price Category (Geiger) 8	+\$6812
Price Category (Geiger) 9	+\$8450
Price Category 9	+\$8450
Price Category (Geiger) 10	+\$9724
Price Category (Geiger) 11	+\$10894
Price Category (Geiger) 14	+\$14247
Price Category (Geiger) A	+\$1430
Price Category (Geiger) C	+\$1690
Price Category (Geiger) D	+\$1950
Price Category (Geiger) E	+\$2210
Price Category (Geiger) F	+\$2470
Price Category (Geiger) G	+\$2730
Price Category (Geiger) H	+\$2990

# Tuxedo Component Lounge™ Corner Sofa with Attached Sofa

continued

Price Category (Geiger) I	+\$5434
Price Category (Geiger) J	+\$3380
Price Category (Geiger) K	+\$3770
Price Category (Geiger) L	+\$4160
Price Category (Geiger) M	+\$4680
Price Category (Geiger) N	+\$5200
Price Category (Geiger) O	+\$11050
Price Category (Geiger) P	+\$5720
Price Category (Geiger) Q	+\$11700
Price Category (Geiger) R	+\$19240
Price Category (Geiger) S	+\$20869
Price Category (Geiger) V	+\$24960
Price Category (Geiger) COM <span style="border: 1px solid black; padding: 0 2px;">A</span>	+\$0
Price Category (Geiger) COL <span style="border: 1px solid black; padding: 0 2px;">A</span>	+\$2340

*For not quilted (N-)*

Price Category (Geiger) 1	+\$0
Price Category 1	+\$0
Price Category (Geiger) 2	+\$0
Price Category 2	+\$0
Price Category (Geiger) 3	+\$1534
Price Category 3	+\$1534
Price Category (Geiger) 4	+\$1872
Price Category 4	+\$1872
Price Category (Geiger) 5	+\$2730
Price Category 5	+\$2730
Price Category (Geiger) 6	+\$3588
Price Category (Geiger) 7	+\$4446
Price Category (Geiger) 8	+\$6812
Price Category (Geiger) 9	+\$8450
Price Category 9	+\$8450
Price Category (Geiger) 10	+\$9724
Price Category (Geiger) 11	+\$10894
Price Category (Geiger) 14	+\$14247
Price Category (Geiger) A	+\$1430
Price Category (Geiger) C	+\$1690
Price Category (Geiger) D	+\$1950
Price Category (Geiger) E	+\$2210
Price Category (Geiger) F	+\$2470
Price Category (Geiger) G	+\$2730
Price Category (Geiger) H	+\$2990
Price Category (Geiger) I	+\$5434
Price Category (Geiger) J	+\$3380
Price Category (Geiger) K	+\$3770
Price Category (Geiger) L	+\$4160
Price Category (Geiger) M	+\$4680
Price Category (Geiger) N	+\$5200

Price Category (Geiger) O	+\$11050
Price Category (Geiger) P	+\$5720
Price Category (Geiger) Q	+\$11700
Price Category (Geiger) R	+\$19240
Price Category (Geiger) S	+\$20869
Price Category (Geiger) V	+\$24960
Price Category (Geiger) X	+\$28088
Price Category (Geiger) Y	+\$29531
Price Category (Geiger) COM <span style="border: 1px solid black; padding: 0 2px;">A</span>	+\$0
Price Category (Geiger) COL <span style="border: 1px solid black; padding: 0 2px;">A</span>	+\$2340

Step 5. Base Finish

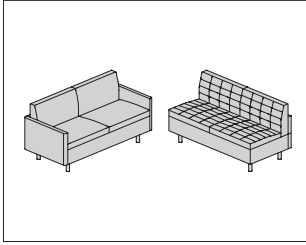
<b>926</b> black <span style="border: 1px solid black; padding: 0 2px;">A</span>	+\$0
<b>AS</b> arctic silver <span style="border: 1px solid black; padding: 0 2px;">A</span>	+\$0
<b>WHT</b> white <span style="border: 1px solid black; padding: 0 2px;">A</span>	+\$0
<b>BNZ</b> bronze <span style="border: 1px solid black; padding: 0 2px;">A</span>	+\$1290
<b>CHR</b> chrome <span style="border: 1px solid black; padding: 0 2px;">A</span>	+\$1290
<b>SAC</b> satin chrome <span style="border: 1px solid black; padding: 0 2px;">A</span>	+\$1290

Step 6. Fire Retardancy

<b>NOCAL</b> not fire retardant <span style="border: 1px solid black; padding: 0 2px;">A</span>	+\$0
<b>133</b> fire retardant <span style="border: 1px solid black; padding: 0 2px;">A</span>	+\$1690

# Tuxedo Classic Settee

SZ2AB  
SZ2AL  
SZ2AN  
SZ2AR



## Product Information

### Description

This settee has solid wood legs with cushions made of polyfoam and DACRON®. Cushions are quilted or not quilted. The settee is available without arms, or with arms on either the left or right side, or on both sides. Fire retardant settee meets CAL 133 requirements.

### Notes

For arm on right (AR) configuration, settee connects to adjacent seat on the left.

For arm on left (AL) configuration, settee connects to adjacent seat on the right.

For arms on left and right (AB), settee connects to adjacent seat on left and right.

Handedness is determined from a seated position.

Customer's Own Material (COM)/Customer's Own Leather (COL) requires the following:

Type—COM—COL

SZ2ANN—8 yards—144 square feet

SZ2ANQ—8 yards—144 square feet

SZ2ABN—10½ yards—189 square feet

SZ2ABQ—10½ yards—189 square feet

SZ2ALN—9¾ yards—166½ square feet

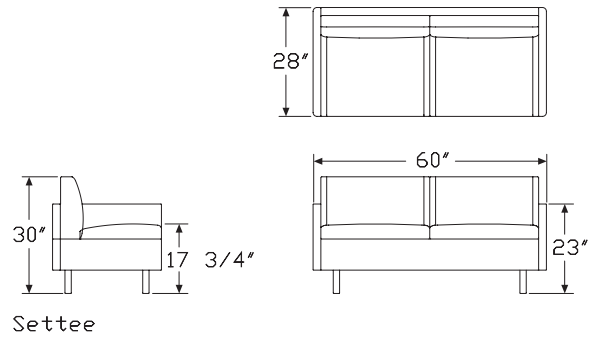
SZ2ALQ—9¾ yards—166½ square feet

SZ2ARN—9¾ yards—166½ square feet

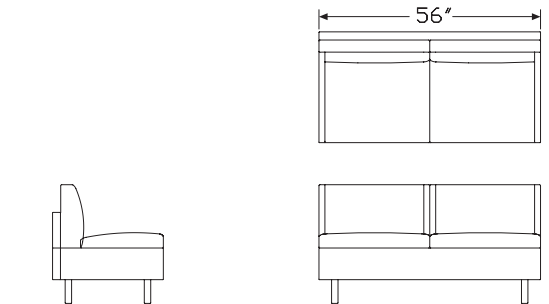
SZ2ARQ—9¾ yards—166½ square feet

See Order Information in Appendices for more information.

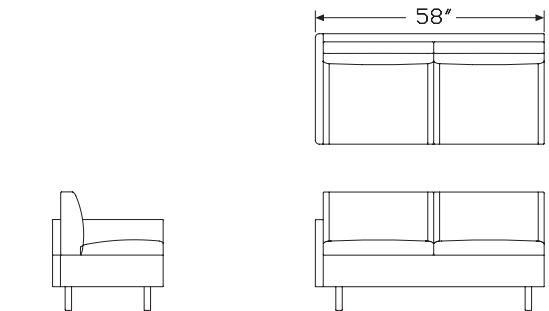
## Dimensions



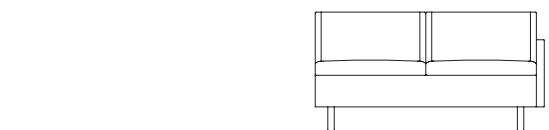
Settee



Connecting Settee - Armless



Connecting Settee - Arm Right



Connecting Settee - Arm Left

Tuxedo Classic Settee *continued*

**Specification Information**

Step 1.

**SZ2** A

Step 2. Arms

- AN** armless A
- AB** arms on left and right A
- AL** arm on left A
- AR** arm on right A

Step 3. Upholstery Type

- N** not quilted A
- Q** quilted A

Prices for Steps 1-3.

<b>SZ2AN</b>	<b>N</b>		\$3220
	<b>Q</b>		\$3480
<hr/>			
<b>SZ2AB</b>	<b>N</b>		\$3950
	<b>Q</b>		\$4210
<hr/>			
<b>SZ2AL</b>	<b>N</b>		\$3585
	<b>Q</b>		\$3845
<hr/>			
<b>SZ2AR</b>	<b>N</b>		\$3585
	<b>Q</b>		\$3845

Step 4. Fabric

*For not quilted (N)*

	AN	AB	AL	AR
Price Category (Geiger) COM <span style="border: 1px solid black; padding: 0 2px;">A</span>	+\$0	0	0	0
Price Category (Geiger) COL <span style="border: 1px solid black; padding: 0 2px;">A</span>	+\$576	756	666	666
Price Category 1	+\$0	0	0	0
Price Category (Geiger) 2	+\$376	494	435	435
Price Category 2	+\$376	494	435	435
Price Category (Geiger) 3	+\$472	620	546	546
Price Category 3	+\$472	620	546	546
Price Category (Geiger) 4	+\$576	756	666	666
Price Category (Geiger) 5	+\$840	1103	971	971
Price Category 5	+\$840	1103	971	971
Price Category (Geiger) 6	+\$1104	1449	1277	1277
Price Category (Geiger) 7	+\$1368	1796	1582	1582
Price Category (Geiger) 8	+\$2096	2751	2424	2424
Price Category (Geiger) 9	+\$2600	3413	3006	3006
Price Category 9	+\$2600	3413	3006	3006
Price Category (Geiger) 10	+\$2992	3927	3460	3460
Price Category 11	+\$3352	4400	3876	3876
Price Category 14	+\$0	0	0	0
Price Category (Geiger) D	+\$560	735	648	648
Price Category (Geiger) G	+\$1112	1460	1286	1286
Price Category (Geiger) H	+\$1384	1817	1600	1600
Price Category (Geiger) I	+\$1672	2195	1933	1933
Price Category (Geiger) K	+\$2248	2951	2599	2599
Price Category (Geiger) L	+\$2536	3329	2932	2932
Price Category (Geiger) M	+\$2824	3707	3265	3265
Price Category (Geiger) R	+\$5920	7770	6845	6845

Tuxedo Classic Settee *continued*

*For armless (AN) with quilted (Q)*

Price Category (Geiger) D	+\$560
Price Category (Geiger) COM <input type="checkbox"/> A	+\$0
Price Category (Geiger) COL <input type="checkbox"/> A	+\$576
Price Category 1	+\$0
Price Category (Geiger) 2	+\$376
Price Category 2	+\$376
Price Category (Geiger) 3	+\$472
Price Category 3	+\$472
Price Category (Geiger) 4	+\$576
Price Category (Geiger) 5	+\$840
Price Category 5	+\$840
Price Category (Geiger) 6	+\$1104
Price Category (Geiger) 7	+\$1368
Price Category (Geiger) 8	+\$2096
Price Category 9	+\$2600
Price Category (Geiger) 10	+\$2992
Price Category 11	+\$3352
Price Category 14	+\$0
Price Category (Geiger) G	+\$1112
Price Category (Geiger) H	+\$1384
Price Category (Geiger) I	+\$1672
Price Category (Geiger) K	+\$2248
Price Category (Geiger) L	+\$2536
Price Category (Geiger) M	+\$2824
Price Category (Geiger) R	+\$5920

*For arms on left and right (AB) with quilted (Q)*

Price Category (Geiger) COM <input type="checkbox"/> A	+\$0
Price Category (Geiger) COL <input type="checkbox"/> A	+\$756
Price Category 1	+\$0
Price Category (Geiger) 2	+\$494
Price Category 2	+\$494
Price Category (Geiger) 3	+\$620
Price Category 3	+\$620
Price Category (Geiger) 4	+\$756
Price Category (Geiger) 5	+\$1103
Price Category 5	+\$1103
Price Category (Geiger) 6	+\$1449
Price Category (Geiger) 7	+\$1796
Price Category (Geiger) 8	+\$2751
Price Category 9	+\$3413
Price Category (Geiger) 10	+\$3927
Price Category 11	+\$4400
Price Category 14	+\$0
Price Category (Geiger) D	+\$735
Price Category (Geiger) G	+\$1460
Price Category (Geiger) H	+\$1817
Price Category (Geiger) I	+\$2195
Price Category (Geiger) K	+\$2951
Price Category (Geiger) L	+\$3329
Price Category (Geiger) M	+\$3707
Price Category (Geiger) R	+\$7770

# Tuxedo Classic Settee *continued*

*For arm on left (AL) or arm on right (AR) with quilted (Q)*

Price Category (Geiger) COM <span style="border: 1px solid black; padding: 0 2px;">A</span>	+\$0
Price Category (Geiger) COL <span style="border: 1px solid black; padding: 0 2px;">A</span>	+\$666
Price Category 1	+\$0
Price Category (Geiger) 2	+\$435
Price Category 2	+\$435
Price Category (Geiger) 3	+\$546
Price Category 3	+\$546
Price Category (Geiger) 4	+\$666
Price Category (Geiger) 5	+\$971
Price Category 5	+\$971
Price Category (Geiger) 6	+\$1277
Price Category (Geiger) 7	+\$1582
Price Category (Geiger) 8	+\$2424
Price Category 9	+\$3006
Price Category (Geiger) 10	+\$3460
Price Category 11	+\$3876
Price Category 14	+\$0
Price Category (Geiger) D	+\$648
Price Category (Geiger) G	+\$1286
Price Category (Geiger) H	+\$1600
Price Category (Geiger) I	+\$1933
Price Category (Geiger) K	+\$2599
Price Category (Geiger) L	+\$2932
Price Category (Geiger) M	+\$3265
Price Category (Geiger) R	+\$6845

Step 5. Base Finish

Matte Finishes

<b>662</b>	toasted walnut, matte sheen <span style="border: 1px solid black; padding: 0 2px;">A</span>	+\$0
<b>663</b>	charred walnut, matte sheen <span style="border: 1px solid black; padding: 0 2px;">A</span>	+\$0
<b>664</b>	bronzed walnut, matte sheen <span style="border: 1px solid black; padding: 0 2px;">A</span>	+\$0
<b>665</b>	smoked walnut, matte sheen <span style="border: 1px solid black; padding: 0 2px;">A</span>	+\$0
<b>666</b>	coffee walnut, matte sheen <span style="border: 1px solid black; padding: 0 2px;">A</span>	+\$0
<b>667</b>	smoked paldao, quarter cut, matte sheen <span style="border: 1px solid black; padding: 0 2px;">A</span>	+\$0
<b>669</b>	warm paldao, quarter cut, matte sheen <span style="border: 1px solid black; padding: 0 2px;">A</span>	+\$0
<b>66A</b>	recograin frosty ash <span style="border: 1px solid black; padding: 0 2px;">A</span>	+\$0
<b>677</b>	chocolate ash, matte sheen <span style="border: 1px solid black; padding: 0 2px;">A</span>	+\$0
<b>68R</b>	recograin rosewood <span style="border: 1px solid black; padding: 0 2px;">A</span>	+\$0
<b>69A</b>	recograin frosty ash <span style="border: 1px solid black; padding: 0 2px;">A</span>	+\$0
<b>69R</b>	recograin rosewood <span style="border: 1px solid black; padding: 0 2px;">A</span>	+\$0
<b>69T</b>	recograin teak <span style="border: 1px solid black; padding: 0 2px;">A</span>	+\$0
<b>6K1</b>	rift oak <span style="border: 1px solid black; padding: 0 2px;">A</span>	+\$0
<b>ET</b>	clear on ash <span style="border: 1px solid black; padding: 0 2px;">A</span>	+\$0
<b>EU</b>	oak on ash <span style="border: 1px solid black; padding: 0 2px;">A</span>	+\$0
<b>EV</b>	walnut on ash <span style="border: 1px solid black; padding: 0 2px;">A</span>	+\$0

<b>GOU</b>	natural walnut, flat cut, matte sheen <span style="border: 1px solid black; padding: 0 2px;">A</span>	+\$0
<b>6A1</b>	white ash <span style="border: 1px solid black; padding: 0 2px;">A</span>	+\$0
<b>6K6</b>	burnt oak <span style="border: 1px solid black; padding: 0 2px;">A</span>	+\$0
<b>932</b>	sundance anigre <span style="border: 1px solid black; padding: 0 2px;">A</span>	+\$0
<b>933</b>	caramel anigre <span style="border: 1px solid black; padding: 0 2px;">A</span>	+\$0
<b>934</b>	henna anigre <span style="border: 1px solid black; padding: 0 2px;">A</span>	+\$0
<b>940</b>	sundance cherry on maple <span style="border: 1px solid black; padding: 0 2px;">A</span>	+\$0
<b>962</b>	toasted walnut, low sheen <span style="border: 1px solid black; padding: 0 2px;">A</span>	+\$0
<b>963</b>	charred walnut, low sheen <span style="border: 1px solid black; padding: 0 2px;">A</span>	+\$0
<b>964</b>	bronzed walnut, low sheen <span style="border: 1px solid black; padding: 0 2px;">A</span>	+\$0
<b>965</b>	smoked walnut, low sheen <span style="border: 1px solid black; padding: 0 2px;">A</span>	+\$0
<b>966</b>	coffee walnut, low sheen <span style="border: 1px solid black; padding: 0 2px;">A</span>	+\$0
<b>967</b>	smoked paldao, low sheen <span style="border: 1px solid black; padding: 0 2px;">A</span>	+\$0
<b>969</b>	warm paldao, low sheen <span style="border: 1px solid black; padding: 0 2px;">A</span>	+\$0
<b>972</b>	sundance walnut <span style="border: 1px solid black; padding: 0 2px;">A</span>	+\$0
<b>977</b>	chocolate ash, low sheen <span style="border: 1px solid black; padding: 0 2px;">A</span>	+\$0
<b>98R</b>	recograin rosewood <span style="border: 1px solid black; padding: 0 2px;">A</span>	+\$0
<b>991</b>	champagne ash <span style="border: 1px solid black; padding: 0 2px;">A</span>	+\$0
<b>99A</b>	recograin frosty ash <span style="border: 1px solid black; padding: 0 2px;">A</span>	+\$0
<b>99R</b>	recograin rosewood <span style="border: 1px solid black; padding: 0 2px;">A</span>	+\$0
<b>99T</b>	recograin teak <span style="border: 1px solid black; padding: 0 2px;">A</span>	+\$0
<b>9A1</b>	white ash, quarter cut, low sheen <span style="border: 1px solid black; padding: 0 2px;">A</span>	+\$0
<b>9K1</b>	rift oak, rift cut, low sheen <span style="border: 1px solid black; padding: 0 2px;">A</span>	+\$0
<b>9K6</b>	burnt oak, rift cut, low sheen <span style="border: 1px solid black; padding: 0 2px;">A</span>	+\$0
<b>G2U</b>	light brown walnut, low sheen <span style="border: 1px solid black; padding: 0 2px;">A</span>	+\$0
<b>G40</b>	dark brown walnut, low sheen <span style="border: 1px solid black; padding: 0 2px;">A</span>	+\$0
<b>UX</b>	walnut on cherry <span style="border: 1px solid black; padding: 0 2px;">A</span>	+\$0
<b>943</b>	caramel cherry <span style="border: 1px solid black; padding: 0 2px;">A</span>	+\$0
<b>946</b>	cocoa cherry <span style="border: 1px solid black; padding: 0 2px;">A</span>	+\$0
<b>956</b>	cocoa sapele <span style="border: 1px solid black; padding: 0 2px;">A</span>	+\$0
<b>998</b>	ebony ash <span style="border: 1px solid black; padding: 0 2px;">A</span>	+\$0
<b>ED</b>	aged cherry <span style="border: 1px solid black; padding: 0 2px;">A</span>	+\$0
<b>EK</b>	medium red walnut <span style="border: 1px solid black; padding: 0 2px;">A</span>	+\$0

RecoGrain Veneer

<b>66G</b>	recograin wenge <span style="border: 1px solid black; padding: 0 2px;">A</span>	+\$0
<b>68W</b>	recograin walnut, flat cut, matte sheen <span style="border: 1px solid black; padding: 0 2px;">A</span>	+\$0
<b>69G</b>	recograin wenge <span style="border: 1px solid black; padding: 0 2px;">A</span>	+\$0
<b>69W</b>	recograin walnut, quarter cut, matte sheen <span style="border: 1px solid black; padding: 0 2px;">A</span>	+\$0

Recon Veneer -

<b>96G</b>	wenge recograin, quarter cut, low sheen <span style="border: 1px solid black; padding: 0 2px;">A</span>	+\$0
<b>98W</b>	recograin walnut, flat cut, low sheen <span style="border: 1px solid black; padding: 0 2px;">A</span>	+\$0
<b>99G</b>	recograin wenge, quarter cut, low sheen <span style="border: 1px solid black; padding: 0 2px;">A</span>	+\$0
<b>99W</b>	recograin walnut, quarter cut, low sheen <span style="border: 1px solid black; padding: 0 2px;">A</span>	+\$0



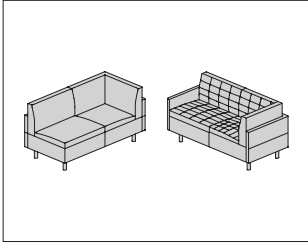
Tuxedo Classic Settee *continued*

Step 6. Fire Retardancy

		AN	AB	AL	AR
<b>NOCAL</b>	no cal-133 required <input type="checkbox"/> A	+\$0	0	0	0
<b>133</b>	cal-133 required <input type="checkbox"/> A	+\$520	683	601	601

# Tuxedo Classic Corner Settee

SZ2CL  
SZ2CR  
SZ2ZL  
SZ2ZR



## Product Information

### Description

This corner settee has solid wood legs with cushions made of polyfoam and DACRON®. Cushions are quilted or not quilted. The settee is available with the corner on the left or right side and with or without an arm on the opposite side. Fire retardant settee meets CAL 133 requirements.

### Notes

Handedness is determined from a seated position.

Customer's Own Material (COM)/Customer's Own Leather (COL) requires the following:

Type—COM—COL

SZ2CRN—10½ yards—189 square feet

SZ2CRQ—10½ yards—189 square feet

SZ2CLN—10½ yards—189 square feet

SZ2CLQ—10½ yards—189 square feet

SZ2ZRN—11¾ yards—212 square feet

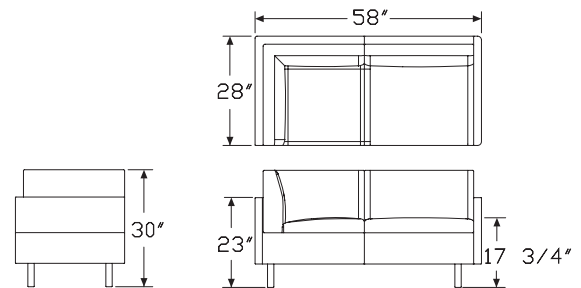
SZ2ZRQ—11¾ yards—212 square feet

SZ2ZLN—11¾ yards—212 square feet

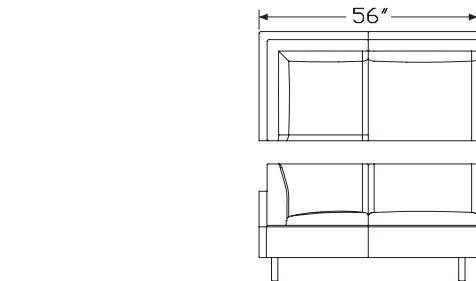
SZ2ZLQ—11¾ yards—212 square feet

See Order Information in Appendices for more information.

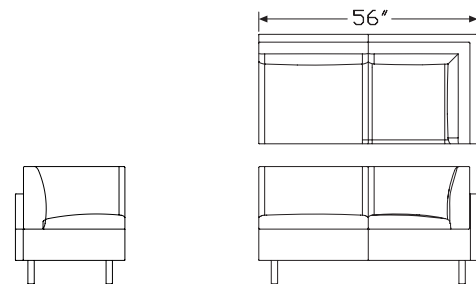
## Dimensions



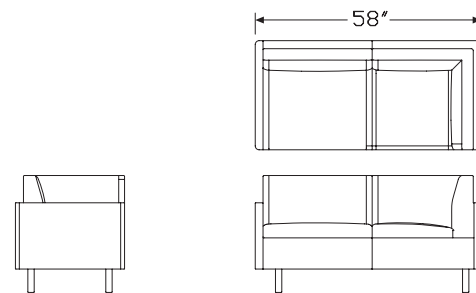
Corner Settee with Arm - Right



Corner Settee - Right



Corner Settee - Left



Corner Settee with Arm - Left

# Tuxedo Classic Corner Settee

continued

## Specification Information

Step 1.

**SZ2**  A

Step 2. Arms

**CL** corner left  A

**CR** corner right  A

**ZL** corner on left with arm on right  A

**ZR** corner on right with arm on left  A

Step 3. Upholstery Type

**N** not quilted  A

**Q** quilted  A

Prices for Steps 1-3.

<b>SZ2CL</b>	<b>N</b>	\$4060
	<b>Q</b>	\$4370
<b>SZ2CR</b>	<b>N</b>	\$4060
	<b>Q</b>	\$4370
<b>SZ2ZL</b>	<b>N</b>	\$4420
	<b>Q</b>	\$4735
<b>SZ2ZR</b>	<b>N</b>	\$4420
	<b>Q</b>	\$4735

Step 4. Fabric

*For not quilted (N)*

Price Category (Geiger) COM	<input type="checkbox"/> A	+\$0
Price Category (Geiger) COL	<input type="checkbox"/> A	+\$756
Price Category 1		+\$0
Price Category (Geiger) 2		+\$494
Price Category 2		+\$494
Price Category (Geiger) 3		+\$620
Price Category 3		+\$620
Price Category (Geiger) 4		+\$756
Price Category (Geiger) 5		+\$1103
Price Category 5		+\$1103
Price Category (Geiger) 6		+\$1449
Price Category (Geiger) 7		+\$1796
Price Category (Geiger) 8		+\$2751
Price Category (Geiger) 9		+\$3413
Price Category 9		+\$3413
Price Category (Geiger) 10		+\$3927
Price Category 11		+\$4400
Price Category 14		+\$0
Price Category (Geiger) D		+\$735
Price Category (Geiger) G		+\$1460
Price Category (Geiger) H		+\$1817
Price Category (Geiger) I		+\$2195
Price Category (Geiger) K		+\$2951
Price Category (Geiger) L		+\$3329
Price Category (Geiger) M		+\$3707
Price Category (Geiger) R		+\$7770

# Tuxedo Classic Corner Settee

continued

## For quilted (Q)

Price Category (Geiger) COM <span style="border: 1px solid black; padding: 0 2px;">A</span>	+\$0
Price Category (Geiger) COL <span style="border: 1px solid black; padding: 0 2px;">A</span>	+\$756
Price Category 1	+\$0
Price Category (Geiger) 2	+\$494
Price Category 2	+\$494
Price Category (Geiger) 3	+\$620
Price Category 3	+\$620
Price Category (Geiger) 4	+\$756
Price Category (Geiger) 5	+\$1103
Price Category 5	+\$1103
Price Category (Geiger) 6	+\$1449
Price Category (Geiger) 7	+\$1796
Price Category (Geiger) 8	+\$2751
Price Category 9	+\$3413
Price Category (Geiger) 10	+\$3927
Price Category 11	+\$4400
Price Category 14	+\$0
Price Category (Geiger) D	+\$735
Price Category (Geiger) G	+\$1460
Price Category (Geiger) H	+\$1817
Price Category (Geiger) I	+\$2195
Price Category (Geiger) K	+\$2951
Price Category (Geiger) L	+\$3329
Price Category (Geiger) M	+\$3707
Price Category (Geiger) R	+\$7770

## Step 5. Base Finish

### Matte Finishes

<b>662</b> toasted walnut, matte sheen <span style="border: 1px solid black; padding: 0 2px;">A</span>	+\$0
<b>663</b> charred walnut, matte sheen <span style="border: 1px solid black; padding: 0 2px;">A</span>	+\$0
<b>664</b> bronzed walnut, matte sheen <span style="border: 1px solid black; padding: 0 2px;">A</span>	+\$0
<b>665</b> smoked walnut, matte sheen <span style="border: 1px solid black; padding: 0 2px;">A</span>	+\$0
<b>666</b> coffee walnut, matte sheen <span style="border: 1px solid black; padding: 0 2px;">A</span>	+\$0
<b>667</b> smoked paldao, quarter cut, matte sheen <span style="border: 1px solid black; padding: 0 2px;">A</span>	+\$0
<b>669</b> warm paldao, quarter cut, matte sheen <span style="border: 1px solid black; padding: 0 2px;">A</span>	+\$0
<b>66A</b> recograin frosty ash <span style="border: 1px solid black; padding: 0 2px;">A</span>	+\$0
<b>677</b> chocolate ash, matte sheen <span style="border: 1px solid black; padding: 0 2px;">A</span>	+\$0
<b>68R</b> recograin rosewood <span style="border: 1px solid black; padding: 0 2px;">A</span>	+\$0
<b>69A</b> recograin frosty ash <span style="border: 1px solid black; padding: 0 2px;">A</span>	+\$0
<b>69R</b> recograin rosewood <span style="border: 1px solid black; padding: 0 2px;">A</span>	+\$0
<b>69T</b> recograin teak <span style="border: 1px solid black; padding: 0 2px;">A</span>	+\$0
<b>6K1</b> rift oak <span style="border: 1px solid black; padding: 0 2px;">A</span>	+\$0
<b>ET</b> clear on ash <span style="border: 1px solid black; padding: 0 2px;">A</span>	+\$0
<b>EU</b> oak on ash <span style="border: 1px solid black; padding: 0 2px;">A</span>	+\$0
<b>EV</b> walnut on ash <span style="border: 1px solid black; padding: 0 2px;">A</span>	+\$0

<b>GOU</b> natural walnut, flat cut, matte sheen <span style="border: 1px solid black; padding: 0 2px;">A</span>	+\$0
<b>6A1</b> white ash <span style="border: 1px solid black; padding: 0 2px;">A</span>	+\$0
<b>6K6</b> burnt oak <span style="border: 1px solid black; padding: 0 2px;">A</span>	+\$0
<b>932</b> sundance anigre <span style="border: 1px solid black; padding: 0 2px;">A</span>	+\$0
<b>933</b> caramel anigre <span style="border: 1px solid black; padding: 0 2px;">A</span>	+\$0
<b>934</b> henna anigre <span style="border: 1px solid black; padding: 0 2px;">A</span>	+\$0
<b>940</b> sundance cherry on maple <span style="border: 1px solid black; padding: 0 2px;">A</span>	+\$0
<b>962</b> toasted walnut, low sheen <span style="border: 1px solid black; padding: 0 2px;">A</span>	+\$0
<b>963</b> charred walnut, low sheen <span style="border: 1px solid black; padding: 0 2px;">A</span>	+\$0
<b>964</b> bronzed walnut, low sheen <span style="border: 1px solid black; padding: 0 2px;">A</span>	+\$0
<b>965</b> smoked walnut, low sheen <span style="border: 1px solid black; padding: 0 2px;">A</span>	+\$0
<b>966</b> coffee walnut, low sheen <span style="border: 1px solid black; padding: 0 2px;">A</span>	+\$0
<b>967</b> smoked paldao, low sheen <span style="border: 1px solid black; padding: 0 2px;">A</span>	+\$0
<b>969</b> warm paldao, low sheen <span style="border: 1px solid black; padding: 0 2px;">A</span>	+\$0
<b>972</b> sundance walnut <span style="border: 1px solid black; padding: 0 2px;">A</span>	+\$0
<b>977</b> chocolate ash, low sheen <span style="border: 1px solid black; padding: 0 2px;">A</span>	+\$0
<b>98R</b> recograin rosewood <span style="border: 1px solid black; padding: 0 2px;">A</span>	+\$0
<b>991</b> champagne ash <span style="border: 1px solid black; padding: 0 2px;">A</span>	+\$0
<b>99A</b> recograin frosty ash <span style="border: 1px solid black; padding: 0 2px;">A</span>	+\$0
<b>99R</b> recograin rosewood <span style="border: 1px solid black; padding: 0 2px;">A</span>	+\$0
<b>99T</b> recograin teak <span style="border: 1px solid black; padding: 0 2px;">A</span>	+\$0
<b>9A1</b> white ash, quarter cut, low sheen <span style="border: 1px solid black; padding: 0 2px;">A</span>	+\$0
<b>9K1</b> rift oak, rift cut, low sheen <span style="border: 1px solid black; padding: 0 2px;">A</span>	+\$0
<b>9K6</b> burnt oak, rift cut, low sheen <span style="border: 1px solid black; padding: 0 2px;">A</span>	+\$0
<b>G2U</b> light brown walnut, low sheen <span style="border: 1px solid black; padding: 0 2px;">A</span>	+\$0
<b>G40</b> dark brown walnut, low sheen <span style="border: 1px solid black; padding: 0 2px;">A</span>	+\$0
<b>UX</b> walnut on cherry <span style="border: 1px solid black; padding: 0 2px;">A</span>	+\$0
<b>943</b> caramel cherry <span style="border: 1px solid black; padding: 0 2px;">A</span>	+\$0
<b>946</b> cocoa cherry <span style="border: 1px solid black; padding: 0 2px;">A</span>	+\$0
<b>956</b> cocoa sapele <span style="border: 1px solid black; padding: 0 2px;">A</span>	+\$0
<b>998</b> ebony ash <span style="border: 1px solid black; padding: 0 2px;">A</span>	+\$0
<b>ED</b> aged cherry <span style="border: 1px solid black; padding: 0 2px;">A</span>	+\$0
<b>EK</b> medium red walnut <span style="border: 1px solid black; padding: 0 2px;">A</span>	+\$0

### RecoGrain Veneer

<b>66G</b> recograin wenge <span style="border: 1px solid black; padding: 0 2px;">A</span>	+\$0
<b>68W</b> recograin walnut, flat cut, matte sheen <span style="border: 1px solid black; padding: 0 2px;">A</span>	+\$0
<b>69G</b> recograin wenge <span style="border: 1px solid black; padding: 0 2px;">A</span>	+\$0
<b>69W</b> recograin walnut, quarter cut, matte sheen <span style="border: 1px solid black; padding: 0 2px;">A</span>	+\$0

### Recon Veneer -

<b>96G</b> wenge recograin, quarter cut, low sheen <span style="border: 1px solid black; padding: 0 2px;">A</span>	+\$0
<b>98W</b> recograin walnut, flat cut, low sheen <span style="border: 1px solid black; padding: 0 2px;">A</span>	+\$0
<b>99G</b> recograin wenge, quarter cut, low sheen <span style="border: 1px solid black; padding: 0 2px;">A</span>	+\$0
<b>99W</b> recograin walnut, quarter cut, low sheen <span style="border: 1px solid black; padding: 0 2px;">A</span>	+\$0

# Tuxedo Classic Corner Settee

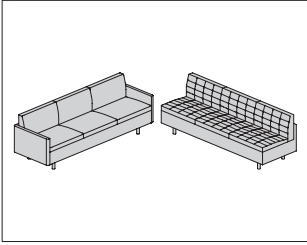
continued

## Step 6. Fire Retardancy

		CL	CR	ZL	ZR
<b>NOCAL</b>	no cal-133 required <input type="checkbox"/> A	+\$0	0	0	0
<b>133</b>	cal-133 required <input type="checkbox"/> A	+\$683	683	764	764

# Tuxedo Classic Sofa

SZ3AB  
SZ3AL  
SZ3AN  
SZ3AR



## Product Information

### Description

This sofa has solid wood legs with cushions made of polyfoam and DACRON®. Cushions are quilted or not quilted. The sofa is available without arms, or with arms on either the left or right side, or on both sides. Fire retardant sofa meets CAL 133 requirements.

### Notes

For arm on right (AR) configuration, sofa connects to adjacent seat on the left.

For arm on left (AL) configuration, sofa connects to adjacent seat on the right.

For arms on left and right (AB), sofa connects to adjacent seat on left and right.

Handedness is determined from a seated position.

Customer's Own Material (COM)/Customer's Own Leather (COL) requires the following:

Type—COM—COL

SZ3ANN—11½ yards—207 square feet

SZ3ANQ—11½ yards—207 square feet

SZ3ABN—14 yards—252 square feet

SZ3ABQ—14 yards—252 square feet

SZ3ALN—12¾ yards—229½ square feet

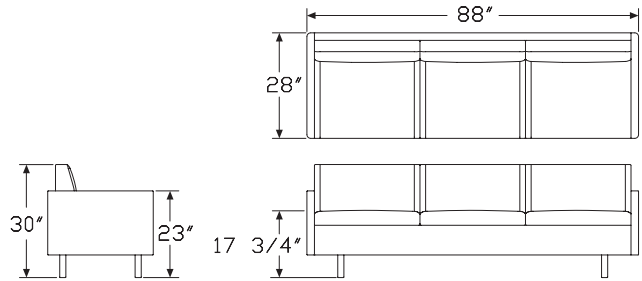
SZ3ALQ—12¾ yards—229½ square feet

SZ3ARN—12¾ yards—229½ square feet

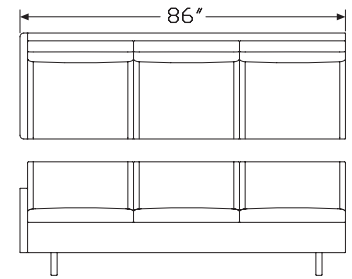
SZ3ARQ—12¾ yards—229½ square feet

See Order Information in Appendices for more information.

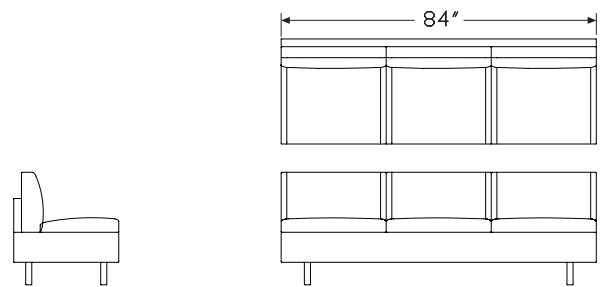
## Dimensions



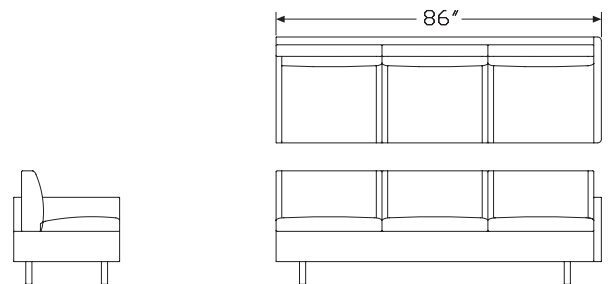
Sofa



Connecting Sofa - Arm Right



Connecting Sofa - Armless



Connecting Sofa - Arm Left

Tuxedo Classic Sofa *continued*

**Specification Information**

Step 1.

**SZ3**  A

Step 2. Arms

- AN** armless  A
- AB** arms on left and right  A
- AL** arm on left  A
- AR** arm on right  A

Step 3. Upholstery Type

- N** not quilted  A
- Q** quilted  A

Prices for Steps 1-3.

<b>SZ3AN</b>	<b>N</b>	\$4455
	<b>Q</b>	\$4950
<b>SZ3AB</b>	<b>N</b>	\$5290
	<b>Q</b>	\$5680
<b>SZ3AL</b>	<b>N</b>	\$4925
	<b>Q</b>	\$5315
<b>SZ3AR</b>	<b>N</b>	\$4925
	<b>Q</b>	\$5315

Step 4. Fabric

*For not quilted (N)*

	AN	AB	AL	AR
Price Category (Geiger) COM <input type="checkbox"/> A	+\$0	0	0	0
Price Category (Geiger) COL <input type="checkbox"/> A	+\$828	1008	918	918
Price Category 1	+\$0	0	0	0
Price Category (Geiger) 2	+\$541	658	599	599
Price Category 2	+\$541	658	599	599
Price Category (Geiger) 3	+\$679	826	752	752
Price Category 3	+\$679	826	752	752
Price Category (Geiger) 4	+\$828	1008	918	918
Price Category (Geiger) 5	+\$1208	1470	1339	1339
Price Category 5	+\$1208	1470	1339	1339
Price Category (Geiger) 6	+\$1587	1932	1760	1760
Price Category (Geiger) 7	+\$1967	2394	2180	2180
Price Category (Geiger) 8	+\$3013	3668	3341	3341
Price Category (Geiger) 9	+\$3738	4550	4144	4144
Price Category 9	+\$3738	4550	4144	4144
Price Category (Geiger) 10	+\$4301	5236	4769	4769
Price Category 11	+\$4819	5866	5342	5342
Price Category 14	+\$0	0	0	0
Price Category (Geiger) D	+\$805	980	893	893
Price Category (Geiger) G	+\$1599	1946	1772	1772
Price Category (Geiger) H	+\$1990	2422	2206	2206
Price Category (Geiger) I	+\$2404	2926	2665	2665
Price Category (Geiger) K	+\$3232	3934	3583	3583
Price Category (Geiger) L	+\$3646	4438	4042	4042
Price Category (Geiger) M	+\$4060	4942	4501	4501

Tuxedo Classic Sofa *continued*

*For quilted (Q)*

	AN	AB	AL	AR
Price Category (Geiger) COM <span style="border: 1px solid black; padding: 0 2px;">A</span>	+\$0	0	0	0
Price Category (Geiger) COL <span style="border: 1px solid black; padding: 0 2px;">A</span>	+\$828	1008	918	918
Price Category 1	+\$0	0	0	0
Price Category (Geiger) 2	+\$541	658	599	599
Price Category 2	+\$541	658	599	599
Price Category (Geiger) 3	+\$679	826	752	752
Price Category 3	+\$679	826	752	752
Price Category (Geiger) 4	+\$828	1008	918	918
Price Category (Geiger) 5	+\$1208	1470	1339	1339
Price Category 5	+\$1208	1470	1339	1339
Price Category (Geiger) 6	+\$1587	1932	1760	1760
Price Category (Geiger) 7	+\$1967	2394	2180	2180
Price Category (Geiger) 8	+\$3013	3668	3341	3341
Price Category 9	+\$3738	4550	4144	4144
Price Category (Geiger) 10	+\$4301	5236	4769	4769
Price Category 11	+\$4819	5866	5342	5342
Price Category 14	+\$0	0	0	0
Price Category (Geiger) D	+\$805	980	893	893
Price Category (Geiger) G	+\$1599	1946	1772	1772
Price Category (Geiger) H	+\$1990	2422	2206	2206
Price Category (Geiger) I	+\$2404	2926	2665	2665
Price Category (Geiger) K	+\$3232	3934	3583	3583
Price Category (Geiger) L	+\$3646	4438	4042	4042
Price Category (Geiger) M	+\$4060	4942	4501	4501

Step 5. Base Finish

Matte Finishes

<b>662</b>	toasted walnut, matte sheen <span style="border: 1px solid black; padding: 0 2px;">A</span>	+\$0
<b>663</b>	charred walnut, matte sheen <span style="border: 1px solid black; padding: 0 2px;">A</span>	+\$0
<b>664</b>	bronzed walnut, matte sheen <span style="border: 1px solid black; padding: 0 2px;">A</span>	+\$0
<b>665</b>	smoked walnut, matte sheen <span style="border: 1px solid black; padding: 0 2px;">A</span>	+\$0
<b>666</b>	coffee walnut, matte sheen <span style="border: 1px solid black; padding: 0 2px;">A</span>	+\$0
<b>667</b>	smoked paldao, quarter cut, matte sheen <span style="border: 1px solid black; padding: 0 2px;">A</span>	+\$0
<b>669</b>	warm paldao, quarter cut, matte sheen <span style="border: 1px solid black; padding: 0 2px;">A</span>	+\$0
<b>66A</b>	recograin frosty ash <span style="border: 1px solid black; padding: 0 2px;">A</span>	+\$0
<b>677</b>	chocolate ash, matte sheen <span style="border: 1px solid black; padding: 0 2px;">A</span>	+\$0
<b>68R</b>	recograin rosewood <span style="border: 1px solid black; padding: 0 2px;">A</span>	+\$0
<b>69A</b>	recograin frosty ash <span style="border: 1px solid black; padding: 0 2px;">A</span>	+\$0
<b>69R</b>	recograin rosewood <span style="border: 1px solid black; padding: 0 2px;">A</span>	+\$0
<b>69T</b>	recograin teak <span style="border: 1px solid black; padding: 0 2px;">A</span>	+\$0
<b>6K1</b>	rift oak <span style="border: 1px solid black; padding: 0 2px;">A</span>	+\$0
<b>ET</b>	clear on ash <span style="border: 1px solid black; padding: 0 2px;">A</span>	+\$0
<b>EU</b>	oak on ash <span style="border: 1px solid black; padding: 0 2px;">A</span>	+\$0
<b>EV</b>	walnut on ash <span style="border: 1px solid black; padding: 0 2px;">A</span>	+\$0

<b>GOU</b>	natural walnut, flat cut, matte sheen <span style="border: 1px solid black; padding: 0 2px;">A</span>	+\$0
<b>6A1</b>	white ash <span style="border: 1px solid black; padding: 0 2px;">A</span>	+\$0
<b>6K6</b>	burnt oak <span style="border: 1px solid black; padding: 0 2px;">A</span>	+\$0
<b>932</b>	sundance anigre <span style="border: 1px solid black; padding: 0 2px;">A</span>	+\$0
<b>933</b>	caramel anigre <span style="border: 1px solid black; padding: 0 2px;">A</span>	+\$0
<b>934</b>	henna anigre <span style="border: 1px solid black; padding: 0 2px;">A</span>	+\$0
<b>940</b>	sundance cherry on maple <span style="border: 1px solid black; padding: 0 2px;">A</span>	+\$0
<b>962</b>	toasted walnut, low sheen <span style="border: 1px solid black; padding: 0 2px;">A</span>	+\$0
<b>963</b>	charred walnut, low sheen <span style="border: 1px solid black; padding: 0 2px;">A</span>	+\$0
<b>964</b>	bronzed walnut, low sheen <span style="border: 1px solid black; padding: 0 2px;">A</span>	+\$0
<b>965</b>	smoked walnut, low sheen <span style="border: 1px solid black; padding: 0 2px;">A</span>	+\$0
<b>966</b>	coffee walnut, low sheen <span style="border: 1px solid black; padding: 0 2px;">A</span>	+\$0
<b>967</b>	smoked paldao, low sheen <span style="border: 1px solid black; padding: 0 2px;">A</span>	+\$0
<b>969</b>	warm paldao, low sheen <span style="border: 1px solid black; padding: 0 2px;">A</span>	+\$0
<b>972</b>	sundance walnut <span style="border: 1px solid black; padding: 0 2px;">A</span>	+\$0
<b>977</b>	chocolate ash, low sheen <span style="border: 1px solid black; padding: 0 2px;">A</span>	+\$0
<b>98R</b>	recograin rosewood <span style="border: 1px solid black; padding: 0 2px;">A</span>	+\$0
<b>991</b>	champagne ash <span style="border: 1px solid black; padding: 0 2px;">A</span>	+\$0
<b>99A</b>	recograin frosty ash <span style="border: 1px solid black; padding: 0 2px;">A</span>	+\$0
<b>99R</b>	recograin rosewood <span style="border: 1px solid black; padding: 0 2px;">A</span>	+\$0
<b>99T</b>	recograin teak <span style="border: 1px solid black; padding: 0 2px;">A</span>	+\$0
<b>9A1</b>	white ash, quarter cut, low sheen <span style="border: 1px solid black; padding: 0 2px;">A</span>	+\$0
<b>9K1</b>	rift oak, rift cut, low sheen <span style="border: 1px solid black; padding: 0 2px;">A</span>	+\$0
<b>9K6</b>	burnt oak, rift cut, low sheen <span style="border: 1px solid black; padding: 0 2px;">A</span>	+\$0
<b>G2U</b>	light brown walnut, low sheen <span style="border: 1px solid black; padding: 0 2px;">A</span>	+\$0
<b>G40</b>	dark brown walnut, low sheen <span style="border: 1px solid black; padding: 0 2px;">A</span>	+\$0
<b>UX</b>	walnut on cherry <span style="border: 1px solid black; padding: 0 2px;">A</span>	+\$0
<b>943</b>	caramel cherry <span style="border: 1px solid black; padding: 0 2px;">A</span>	+\$0
<b>946</b>	cocoa cherry <span style="border: 1px solid black; padding: 0 2px;">A</span>	+\$0
<b>956</b>	cocoa sapele <span style="border: 1px solid black; padding: 0 2px;">A</span>	+\$0
<b>998</b>	ebony ash <span style="border: 1px solid black; padding: 0 2px;">A</span>	+\$0
<b>ED</b>	aged cherry <span style="border: 1px solid black; padding: 0 2px;">A</span>	+\$0
<b>EK</b>	medium red walnut <span style="border: 1px solid black; padding: 0 2px;">A</span>	+\$0

RecoGrain Veneer

<b>66G</b>	recograin wenge <span style="border: 1px solid black; padding: 0 2px;">A</span>	+\$0
<b>68W</b>	recograin walnut, flat cut, matte sheen <span style="border: 1px solid black; padding: 0 2px;">A</span>	+\$0
<b>69G</b>	recograin wenge <span style="border: 1px solid black; padding: 0 2px;">A</span>	+\$0
<b>69W</b>	recograin walnut, quarter cut, matte sheen <span style="border: 1px solid black; padding: 0 2px;">A</span>	+\$0

Recon Veneer -

<b>96G</b>	wenge recograin, quarter cut, low sheen <span style="border: 1px solid black; padding: 0 2px;">A</span>	+\$0
<b>98W</b>	recograin walnut, flat cut, low sheen <span style="border: 1px solid black; padding: 0 2px;">A</span>	+\$0
<b>99G</b>	recograin wenge, quarter cut, low sheen <span style="border: 1px solid black; padding: 0 2px;">A</span>	+\$0
<b>99W</b>	recograin walnut, quarter cut, low sheen <span style="border: 1px solid black; padding: 0 2px;">A</span>	+\$0



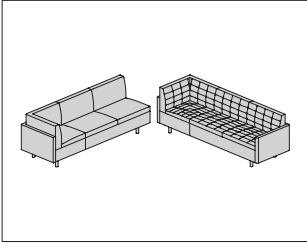
Tuxedo Classic Sofa *continued*

Step 6. Fire Retardancy

		AN	AB	AL	AR
<b>NOCAL</b>	no cal-133 required <input type="checkbox"/> A	+\$0	0	0	0
<b>133</b>	cal-133 required <input type="checkbox"/> A	+\$748	910	829	829

# Tuxedo Classic Corner Sofa

SZ3CL  
SZ3CR  
SZ3ZL  
SZ3ZR



## Product Information

### Description

This corner sofa has solid wood legs with cushions made of polyfoam and DACRON®. Cushions are quilted or not quilted. The sofa is available with the corner on the left or right side and with or without an arm on the opposite side. Fire retardant sofa meets CAL 133 requirements.

### Notes

Handedness is determined from a seated position.

Customer's Own Material (COM)/Customer's Own Leather (COL) requires the following:

Type—COM—COL

SZ3CRN—14½ yards—261 square feet

SZ3CRQ—14½ yards—261 square feet

SZ3CLN—14½ yards—261 square feet

SZ3CLQ—14½ yards—261 square feet

SZ3ZRN—15¾ yards—284 square feet

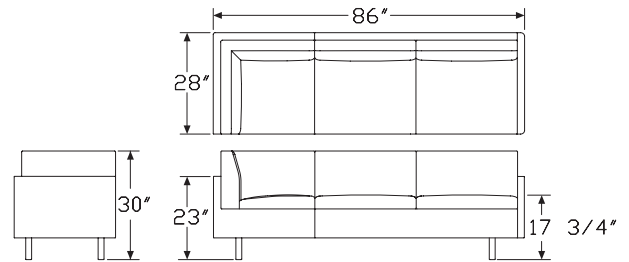
SZ3ZRQ—15¾ yards—284 square feet

SZ3ZLN—15¾ yards—284 square feet

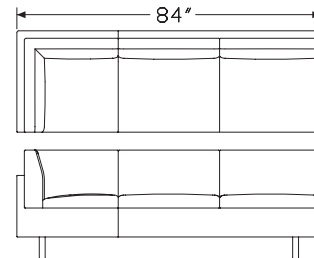
SZ3ZLQ—15¾ yards—284 square feet

See Order Information in Appendices for more information.

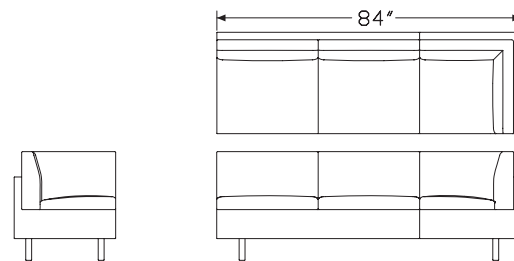
## Dimensions



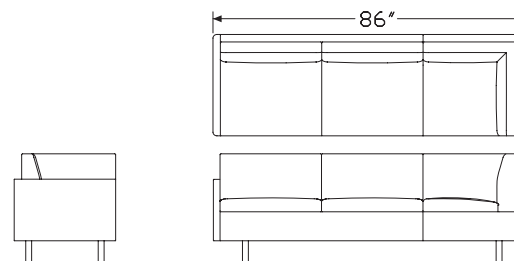
Corner Sofa with Arm - Right



Corner Sofa - Right



Corner Sofa - Left



Corner Sofa with Arm - Left

Tuxedo Classic Corner Sofa *continued*

**Specification Information**

Step 1.

**SZ3**  A

Step 2. Arms

**CL** corner left  A

**CR** corner right  A

**ZL** corner on left with arm on right  A

**ZR** corner on right with arm on left  A

Step 3. Upholstery Type

**N** not quilted  A

**Q** quilted  A

Prices for Steps 1-3.

<b>SZ3CL</b>	<b>N</b>	\$5360
	<b>Q</b>	\$5800
<b>SZ3CR</b>	<b>N</b>	\$5360
	<b>Q</b>	\$5800
<b>SZ3ZL</b>	<b>N</b>	\$5720
	<b>Q</b>	\$6165
<b>SZ3ZR</b>	<b>N</b>	\$5720
	<b>Q</b>	\$6165

Step 4. Fabric

*For not quilted (N)*

Price Category (Geiger) COM	<input type="checkbox"/> A	+\$0
Price Category (Geiger) COL	<input type="checkbox"/> A	+\$1044
Price Category 1		+\$0
Price Category (Geiger) 2		+\$682
Price Category 2		+\$682
Price Category (Geiger) 3		+\$856
Price Category 3		+\$856
Price Category (Geiger) 4		+\$1044
Price Category (Geiger) 5		+\$1523
Price Category 5		+\$1523
Price Category (Geiger) 6		+\$2001
Price Category (Geiger) 7		+\$2480
Price Category (Geiger) 8		+\$3799
Price Category (Geiger) 9		+\$4713
Price Category 9		+\$4713
Price Category (Geiger) 10		+\$5423
Price Category 11		+\$6076
Price Category 14		+\$0
Price Category (Geiger) D		+\$1015
Price Category (Geiger) G		+\$2016
Price Category (Geiger) H		+\$2509
Price Category (Geiger) I		+\$3031
Price Category (Geiger) K		+\$4075
Price Category (Geiger) L		+\$4597
Price Category (Geiger) M		+\$5119
Price Category (Geiger) R		+\$10730

Tuxedo Classic Corner Sofa *continued*

*For quilted (Q)*

Price Category (Geiger) COM <span style="border: 1px solid black; padding: 0 2px;">A</span>	+\$0
Price Category (Geiger) COL <span style="border: 1px solid black; padding: 0 2px;">A</span>	+\$1044
Price Category 1	+\$0
Price Category (Geiger) 2	+\$682
Price Category 2	+\$682
Price Category (Geiger) 3	+\$856
Price Category 3	+\$856
Price Category (Geiger) 4	+\$1044
Price Category (Geiger) 5	+\$1523
Price Category 5	+\$1523
Price Category (Geiger) 6	+\$2001
Price Category (Geiger) 7	+\$2480
Price Category (Geiger) 8	+\$3799
Price Category 9	+\$4713
Price Category (Geiger) 10	+\$5423
Price Category 11	+\$6076
Price Category 14	+\$0
Price Category (Geiger) D	+\$1015
Price Category (Geiger) G	+\$2016
Price Category (Geiger) H	+\$2509
Price Category (Geiger) I	+\$3031
Price Category (Geiger) K	+\$4075
Price Category (Geiger) L	+\$4597
Price Category (Geiger) M	+\$5119
Price Category (Geiger) R	+\$10730

Step 5. Base Finish

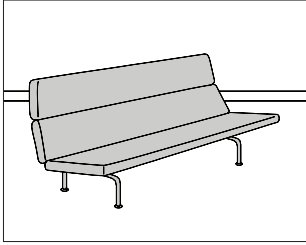
Matte Finishes

<b>662</b>	toasted walnut, matte sheen <span style="border: 1px solid black; padding: 0 2px;">A</span>	+\$0
<b>663</b>	charred walnut, matte sheen <span style="border: 1px solid black; padding: 0 2px;">A</span>	+\$0
<b>664</b>	bronzed walnut, matte sheen <span style="border: 1px solid black; padding: 0 2px;">A</span>	+\$0
<b>665</b>	smoked walnut, matte sheen <span style="border: 1px solid black; padding: 0 2px;">A</span>	+\$0
<b>666</b>	coffee walnut, matte sheen <span style="border: 1px solid black; padding: 0 2px;">A</span>	+\$0
<b>667</b>	smoked paldao, quarter cut, matte sheen <span style="border: 1px solid black; padding: 0 2px;">A</span>	+\$0
<b>669</b>	warm paldao, quarter cut, matte sheen <span style="border: 1px solid black; padding: 0 2px;">A</span>	+\$0
<b>66A</b>	recograin frosty ash <span style="border: 1px solid black; padding: 0 2px;">A</span>	+\$0
<b>677</b>	chocolate ash, matte sheen <span style="border: 1px solid black; padding: 0 2px;">A</span>	+\$0
<b>68R</b>	recograin rosewood <span style="border: 1px solid black; padding: 0 2px;">A</span>	+\$0
<b>69A</b>	recograin frosty ash <span style="border: 1px solid black; padding: 0 2px;">A</span>	+\$0
<b>69R</b>	recograin rosewood <span style="border: 1px solid black; padding: 0 2px;">A</span>	+\$0
<b>69T</b>	recograin teak <span style="border: 1px solid black; padding: 0 2px;">A</span>	+\$0
<b>6K1</b>	rift oak <span style="border: 1px solid black; padding: 0 2px;">A</span>	+\$0
<b>ET</b>	clear on ash <span style="border: 1px solid black; padding: 0 2px;">A</span>	+\$0
<b>EU</b>	oak on ash <span style="border: 1px solid black; padding: 0 2px;">A</span>	+\$0
<b>EV</b>	walnut on ash <span style="border: 1px solid black; padding: 0 2px;">A</span>	+\$0

<b>GOU</b>	natural walnut, flat cut, matte sheen <span style="border: 1px solid black; padding: 0 2px;">A</span>	+\$0
<b>6A1</b>	white ash <span style="border: 1px solid black; padding: 0 2px;">A</span>	+\$0
<b>6K6</b>	burnt oak <span style="border: 1px solid black; padding: 0 2px;">A</span>	+\$0
<b>932</b>	sundance anigre <span style="border: 1px solid black; padding: 0 2px;">A</span>	+\$0
<b>933</b>	caramel anigre <span style="border: 1px solid black; padding: 0 2px;">A</span>	+\$0
<b>934</b>	henna anigre <span style="border: 1px solid black; padding: 0 2px;">A</span>	+\$0
<b>940</b>	sundance cherry on maple <span style="border: 1px solid black; padding: 0 2px;">A</span>	+\$0
<b>962</b>	toasted walnut, low sheen <span style="border: 1px solid black; padding: 0 2px;">A</span>	+\$0
<b>963</b>	charred walnut, low sheen <span style="border: 1px solid black; padding: 0 2px;">A</span>	+\$0
<b>964</b>	bronzed walnut, low sheen <span style="border: 1px solid black; padding: 0 2px;">A</span>	+\$0
<b>965</b>	smoked walnut, low sheen <span style="border: 1px solid black; padding: 0 2px;">A</span>	+\$0
<b>966</b>	coffee walnut, low sheen <span style="border: 1px solid black; padding: 0 2px;">A</span>	+\$0
<b>967</b>	smoked paldao, low sheen <span style="border: 1px solid black; padding: 0 2px;">A</span>	+\$0
<b>969</b>	warm paldao, low sheen <span style="border: 1px solid black; padding: 0 2px;">A</span>	+\$0
<b>972</b>	sundance walnut <span style="border: 1px solid black; padding: 0 2px;">A</span>	+\$0
<b>977</b>	chocolate ash, low sheen <span style="border: 1px solid black; padding: 0 2px;">A</span>	+\$0
<b>98R</b>	recograin rosewood <span style="border: 1px solid black; padding: 0 2px;">A</span>	+\$0
<b>991</b>	champagne ash <span style="border: 1px solid black; padding: 0 2px;">A</span>	+\$0
<b>99A</b>	recograin frosty ash <span style="border: 1px solid black; padding: 0 2px;">A</span>	+\$0
<b>99R</b>	recograin rosewood <span style="border: 1px solid black; padding: 0 2px;">A</span>	+\$0
<b>99T</b>	recograin teak <span style="border: 1px solid black; padding: 0 2px;">A</span>	+\$0
<b>9A1</b>	white ash, quarter cut, low sheen <span style="border: 1px solid black; padding: 0 2px;">A</span>	+\$0
<b>9K1</b>	rift oak, rift cut, low sheen <span style="border: 1px solid black; padding: 0 2px;">A</span>	+\$0
<b>9K6</b>	burnt oak, rift cut, low sheen <span style="border: 1px solid black; padding: 0 2px;">A</span>	+\$0
<b>G2U</b>	light brown walnut, low sheen <span style="border: 1px solid black; padding: 0 2px;">A</span>	+\$0
<b>G40</b>	dark brown walnut, low sheen <span style="border: 1px solid black; padding: 0 2px;">A</span>	+\$0
<b>UX</b>	walnut on cherry <span style="border: 1px solid black; padding: 0 2px;">A</span>	+\$0
<b>943</b>	caramel cherry <span style="border: 1px solid black; padding: 0 2px;">A</span>	+\$0
<b>946</b>	cocoa cherry <span style="border: 1px solid black; padding: 0 2px;">A</span>	+\$0
<b>956</b>	cocoa sapele <span style="border: 1px solid black; padding: 0 2px;">A</span>	+\$0
<b>998</b>	ebony ash <span style="border: 1px solid black; padding: 0 2px;">A</span>	+\$0
<b>ED</b>	aged cherry <span style="border: 1px solid black; padding: 0 2px;">A</span>	+\$0
<b>EK</b>	medium red walnut <span style="border: 1px solid black; padding: 0 2px;">A</span>	+\$0
<b>66G</b>	recograin wenge <span style="border: 1px solid black; padding: 0 2px;">A</span>	+\$0
<b>68W</b>	recograin walnut, flat cut, matte sheen <span style="border: 1px solid black; padding: 0 2px;">A</span>	+\$0
<b>69G</b>	recograin wenge <span style="border: 1px solid black; padding: 0 2px;">A</span>	+\$0
<b>69W</b>	recograin walnut, quarter cut, matte sheen <span style="border: 1px solid black; padding: 0 2px;">A</span>	+\$0
<b>96G</b>	wenge recograin, quarter cut, low sheen <span style="border: 1px solid black; padding: 0 2px;">A</span>	+\$0
<b>98W</b>	recograin walnut, flat cut, low sheen <span style="border: 1px solid black; padding: 0 2px;">A</span>	+\$0
<b>99G</b>	recograin wenge, quarter cut, low sheen <span style="border: 1px solid black; padding: 0 2px;">A</span>	+\$0
<b>99W</b>	recograin walnut, quarter cut, low sheen <span style="border: 1px solid black; padding: 0 2px;">A</span>	+\$0

Step 6. Fire Retardancy

		CL	CR	ZL	ZR
<b>NOCAL</b>	no cal-133 required <span style="border: 1px solid black; padding: 0 2px;">A</span>	+\$0	0	0	0
<b>133</b>	cal-133 required <span style="border: 1px solid black; padding: 0 2px;">A</span>	+\$943	943	1024	1024



**Product Information**

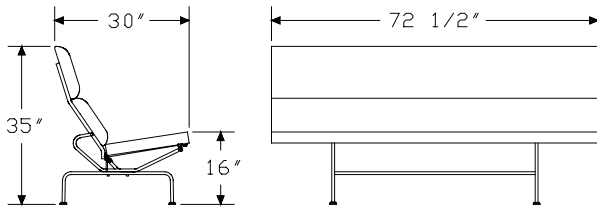
**Description**

This sofa has 2½"-thick upholstered foam cushions supported by a black enameled frame. It has polished chrome-plated legs and stainless steel glides. All fabrics are railroaded.

**Notes**

Customer's Own Material (COM) requires 6 yards. See Order Information in Appendices.

**Dimensions**



**Specification Information**

**Step 1.**

**473** [A] \$5502

**Step 2. Fabric**

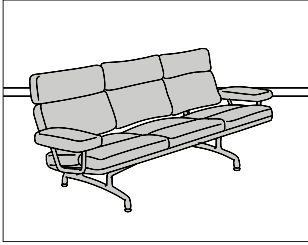
See application chart and textiles list for fabric usage and numbers.

First 2 digits of number indicate fabric line; remaining digit(s) indicate fabric color.

Price Category 1	+\$0
Price Category 2	+\$97
Price Category 3	+\$134
Price Category (Geiger) 3	+\$134
Price Category 4	+\$252
Price Category (Geiger) 4	+\$252
Price Category 5	+\$411
Price Category (Geiger) 5	+\$523
Price Category 6	+\$590
Price Category (Geiger) 6	+\$708
Price Category 7	+\$750
Price Category (Geiger) 7	+\$967
Price Category 8	+\$1572
Price Category 10	+\$1884
Price Category (Geiger) 10	+\$1884
Price Category 14	+\$2466
Price Category B	+\$168
Price Category C	+\$251
Price Category D	+\$334
Price Category E	+\$418
Price Category F	+\$547
Price Category G	+\$710
Price Category H	+\$864
Price Category I	+\$1015
Price Category J	+\$1167
Price Category K	+\$1318
Price Category L	+\$1470
Price Category M	+\$1621
Price Category N	+\$1773
Price Category O	+\$1924
Price Category P	+\$2076
Price Category Q	+\$2235
Price Category R	+\$3631
Price Category S	+\$2568
Price Category X	+\$4940
Price Category Y	+\$5202

Eames® Sofa

ES108  
ES110



**Product Information**

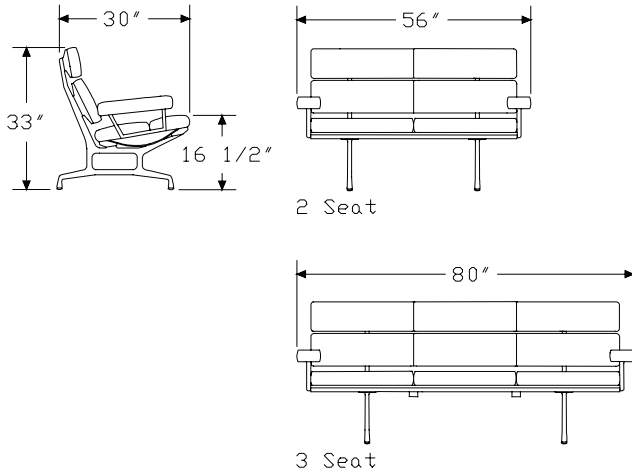
**Description**

This sofa has 2"-thick upholstered foam cushions and a polished chrome-plated frame with nylon glides. The back panels are hand-finished solid walnut or solid teak.

**Notes**

Customer's Own Material (COM) requires 4½ yards for 2-seat sofa and 6½ yards for 3-seat sofa. Customer's Own Leather (COL) requires 100 square feet for 2-seat sofa and 125 square feet for 3-seat sofa. See Order Information in Appendices.

**Dimensions**



HermanMiller Collection—Sofas

**Specification Information**

**Step 1.**

**ES1**  A

**Step 2. Number of Seats**

**08** 3 seats  A

**10** 2 seats  A

**Prices for Steps 1-2.**

<b>ES108</b>	\$11437
<b>ES110</b>	\$10231

**Step 3. Back Finish**

		<b>08</b>	<b>10</b>
<b>5Q</b>	oiled walnut <input type="checkbox"/> A	+\$0	0
<b>OT</b>	teak <input type="checkbox"/> A	+\$775	725

**Step 4. Base Finish**

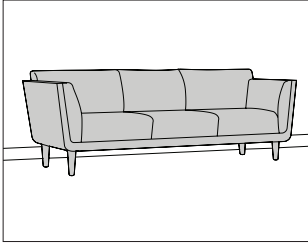
<b>CD</b>	polished aluminum <input type="checkbox"/> A	+\$0
-----------	--	------

Step 5. Fabric

See application chart and textiles list for fabric usage and numbers.

First 2 digits of number indicate fabric line; remaining digit(s) indicate fabric color.

	08	10
Price Category 1 <span style="border: 1px solid black; padding: 0 2px;">A</span>	+\$0	0
Price Category 3	+\$204	181
Price Category (Geiger) 4	+\$333	272
Price Category 5	+\$557	492
Price Category 7	+\$608	516
Price Category (Geiger) 7	+\$608	516
Price Category 9	+\$1611	1271
Price Category (Geiger) 10	+\$1320	1436
Price Category 10M	+\$2845	2276
Price Category 11	+\$2255	1729
Price Category (Geiger) 11	+\$2255	1729
Price Category C	+\$302	292
Price Category D	+\$382	382
Price Category E	+\$462	462
Price Category F	+\$597	597
Price Category G	+\$776	706
Price Category H	+\$943	943
Price Category I	+\$1108	1108
Price Category J	+\$1274	1274
Price Category K	+\$1439	1439
Price Category L	+\$1604	1604
Price Category M	+\$1770	1770
Price Category N	+\$1935	1935
Price Category O	+\$2100	2100
Price Category P	+\$2266	2266
Price Category Q	+\$2439	2439
Price Category R	+\$3790	2602
Price Category S	+\$2803	2803
Price Category V	+\$6084	4056



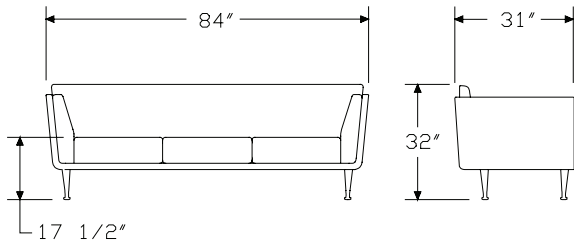
**Product Information**

**Description**  
 This sofa has a molded veneer frame that wraps around the sides and back. It has 7"-thick upholstered foam cushions and 4 polished cast-aluminum legs with nonadjustable nylon glides.

**Notes**

Santos palisander veneer is celebrated for its unique grain and color variations. Similar products ordered in multiples or dissimilar products ordered separately should be expected to have variation in both grain and color characteristics; no two products will look exactly alike. Customer's Own Material (COM) requires 10 yards (8 yards for Seat/Back, 2 yards for Accent). Customer's Own Leather (COL) requires 156 square feet. See Order Information in Appendices.

**Dimensions**



HermanMiller Collection—Sofas

**Specification Information**

**Step 1.**  
**GS100.** [A] \$6320

**Step 2. Frame Finish**

<b>OU</b>	walnut [A]	+\$0
<b>EN</b>	ebony [A]	+\$50
<b>A2</b>	white ash [A]	+\$225
<b>9N</b>	santos palisander [A]	+\$3305

**Step 3. Seat/Back Fabric**

See application chart and textiles list for fabric usage and numbers. First 2 digits of number indicate fabric line; remaining digit(s) indicate fabric color.

Price Category 1	+\$0
Price Category 2	+\$189
Price Category 3	+\$216
Price Category (Geiger) 3	+\$216
Price Category 4	+\$303
Price Category (Geiger) 4	+\$303
Price Category 5	+\$332
Price Category (Geiger) 5	+\$332
Price Category 6	+\$460
Price Category (Geiger) 6	+\$460
Price Category 7	+\$523
Price Category (Geiger) 7	+\$523
Price Category 8	+\$988
Price Category (Geiger) 8	+\$988
Price Category 9	+\$1383
Price Category (Geiger) 9	+\$1383
Price Category 10	+\$1729
Price Category 10M	+\$2809
Price Category (Geiger) 10	+\$1729
Price Category 11	+\$2075
Price Category (Geiger) 11	+\$2075
Price Category 14	+\$2470
Price Category B	+\$140
Price Category C	+\$209
Price Category D	+\$278
Price Category E	+\$348
Price Category F	+\$488
Price Category G	+\$626
Price Category H	+\$834
Price Category I	+\$1043
Price Category J	+\$1251
Price Category K	+\$1459
Price Category L	+\$1645



Price Category M	+\$2065
Price Category N	+\$3700
Price Category O	+\$3800
Price Category P	+\$4375
Price Category Q	+\$4950
Price Category R	+\$2340
Price Category S	+\$5720
Price Category V	+\$3651
Price Category X	+\$7259
Price Category Y	+\$7644

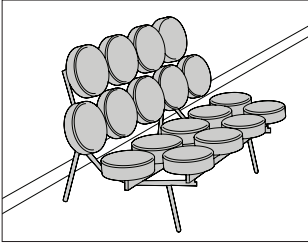
Price Category L	+\$1645
Price Category M	+\$2065
Price Category N	+\$3700
Price Category O	+\$3800
Price Category P	+\$4375
Price Category Q	+\$4950
Price Category R	+\$2340
Price Category S	+\$5720
Price Category V	+\$3651
Price Category X	+\$7259
Price Category Y	+\$7644

Step 4. Accent Fabric

See application chart and textiles list for fabric usage and numbers.

First 2 digits of number indicate fabric line; remaining digit(s) indicate fabric color.

Price Category 1	+\$0
Price Category 2	+\$189
Price Category 3	+\$216
Price Category (Geiger) 3	+\$216
Price Category 4	+\$303
Price Category (Geiger) 4	+\$303
Price Category 5	+\$332
Price Category (Geiger) 5	+\$332
Price Category 6	+\$460
Price Category (Geiger) 6	+\$460
Price Category 7	+\$523
Price Category (Geiger) 7	+\$523
Price Category 8	+\$0
Price Category (Geiger) 8	+\$987
Price Category 9	+\$1383
Price Category (Geiger) 9	+\$1383
Price Category 10	+\$1729
Price Category 10M	+\$1346
Price Category (Geiger) 10	+\$1729
Price Category 11	+\$2075
Price Category (Geiger) 11	+\$2075
Price Category 14	+\$2470
Price Category B	+\$140
Price Category C	+\$209
Price Category D	+\$278
Price Category E	+\$348
Price Category F	+\$488
Price Category G	+\$626
Price Category H	+\$834
Price Category I	+\$1043
Price Category J	+\$1251
Price Category K	+\$1459

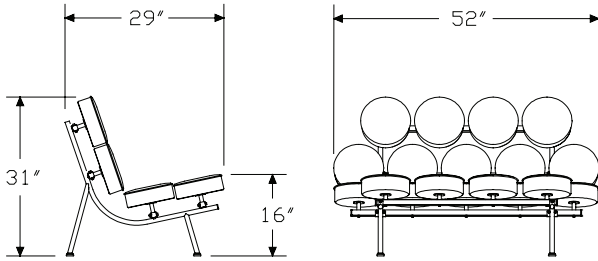


**Product Information**

**Description**  
 This upholstered sofa has 18 circular cushions on the back and seat, a brushed-finish tubular-steel frame, and black-satin-finish legs.

**Notes**  
 Customer's Own Material (COM) requires 3¾ yards. Customer's Own Leather (COL) requires 62 square feet. See Order Information in Appendices.

**Dimensions**



HermanMiller Collection—Sofas

**Specification Information**

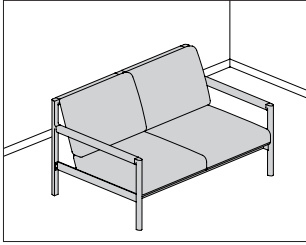
**Step 1.**  
**5670** A \$5467

**Step 2. Fabric**  
 See application chart and textiles list for fabric usage and numbers.  
 First 2 digits of number indicate fabric line; remaining digit(s) indicate fabric color.

- Price Category 1 A +\$0
- Price Category 2 A +\$0
- Price Category 7 A +\$1000
- Price Category 9 A +\$1400
- Price Category 11 A +\$1540
- Price Category (Geiger) 11 A +\$1540

# Brabo Settee

SVV5A  
SVV5W



### Product Information

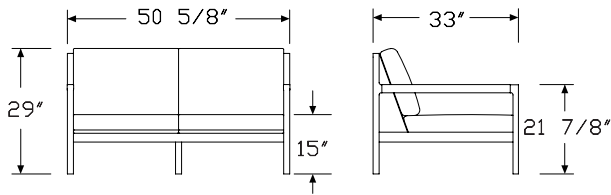
#### Description

This settee has a solid ash or solid walnut frame with steel-plated metal, leather sling and arm wrap, and upholstered foam cushions.

#### Notes

Customers Own Material (COM) requires 4 yards for the back and seat cushions. Customers Own Leather (COL) requires 72 square feet for the back and seat cushions, and an additional 54 square feet for the sling and arm wrap. See Order Information in Appendices.

#### Dimensions



### Specification Information

#### Step 1.

**SVV5**  A

#### Step 2. Frame Finish

**A** ash  A

**W** walnut  A

#### Prices for Steps 1-2.

<b>SVV5A</b>	\$4706
<b>SVV5W</b>	\$4911

#### Step 3. Wood Finish

##### Anigre Veneer - Low Sheen

###### For ash (A)

<b>967</b>	smoked paldao, low sheen <input type="checkbox"/> A	+\$0
<b>969</b>	warm paldao, low sheen <input type="checkbox"/> A	+\$0

##### Premium Veneer - Low Sheen

###### For ash (A)

<b>940</b>	sundance cherry on maple <input type="checkbox"/> A	+\$0
<b>943</b>	caramel cherry <input type="checkbox"/> A	+\$0
<b>946</b>	cocoa cherry <input type="checkbox"/> A	+\$0
<b>956</b>	cocoa sapele <input type="checkbox"/> A	+\$0
<b>962</b>	toasted walnut, low sheen <input type="checkbox"/> A	+\$0
<b>963</b>	charred walnut, low sheen <input type="checkbox"/> A	+\$0
<b>964</b>	bronzed walnut, low sheen <input type="checkbox"/> A	+\$0
<b>965</b>	smoked walnut, low sheen <input type="checkbox"/> A	+\$0
<b>966</b>	coffee walnut, low sheen <input type="checkbox"/> A	+\$0
<b>977</b>	chocolate ash, low sheen <input type="checkbox"/> A	+\$0
<b>98R</b>	recograin rosewood <input type="checkbox"/> A	+\$0
<b>991</b>	champagne ash <input type="checkbox"/> A	+\$0
<b>998</b>	ebony ash <input type="checkbox"/> A	+\$0
<b>99A</b>	recograin frosty ash <input type="checkbox"/> A	+\$0
<b>99R</b>	recograin rosewood <input type="checkbox"/> A	+\$0
<b>99T</b>	recograin teak <input type="checkbox"/> A	+\$0
<b>9A1</b>	white ash, quarter cut, low sheen <input type="checkbox"/> A	+\$0
<b>9K1</b>	rift oak, rift cut, low sheen <input type="checkbox"/> A	+\$0
<b>9K6</b>	burnt oak, rift cut, low sheen <input type="checkbox"/> A	+\$0
<b>ED</b>	aged cherry <input type="checkbox"/> A	+\$0
<b>EK</b>	medium red walnut <input type="checkbox"/> A	+\$0
<b>G2U</b>	light brown walnut, low sheen <input type="checkbox"/> A	+\$0
<b>G40</b>	dark brown walnut, low sheen <input type="checkbox"/> A	+\$0
<b>UX</b>	walnut on cherry <input type="checkbox"/> A	+\$0

Premium Veneer - Matte		
<i>For ash (A)</i>		
<b>66A</b>	recograin frosty ash <input type="checkbox"/>	+\$0
<b>677</b>	chocolate ash, matte sheen <input type="checkbox"/>	+\$0
<b>68R</b>	recograin rosewood <input type="checkbox"/>	+\$0
<b>69A</b>	recograin frosty ash <input type="checkbox"/>	+\$0
<b>69R</b>	recograin rosewood <input type="checkbox"/>	+\$0
<b>69T</b>	recograin teak <input type="checkbox"/>	+\$0
<b>6A1</b>	white ash <input type="checkbox"/>	+\$0
<b>6K1</b>	rift oak <input type="checkbox"/>	+\$0
<b>6K6</b>	burnt oak <input type="checkbox"/>	+\$0
<b>ET</b>	clear on ash <input type="checkbox"/>	+\$0
<b>EU</b>	oak on ash <input type="checkbox"/>	+\$0
<b>EV</b>	walnut on ash <input type="checkbox"/>	+\$0
<b>GOU</b>	natural walnut, flat cut, matte sheen <input type="checkbox"/>	+\$0

RecoGrain Veneer		
<i>For ash (A)</i>		
<b>66G</b>	recograin wenge <input type="checkbox"/>	+\$0
<b>68W</b>	recograin walnut, flat cut, matte sheen <input type="checkbox"/>	+\$0
<b>69G</b>	recograin wenge <input type="checkbox"/>	+\$0
<b>69W</b>	recograin walnut, quarter cut, matte sheen <input type="checkbox"/>	+\$0

Recon Veneer -		
<i>For ash (A)</i>		
<b>98W</b>	recograin walnut, flat cut, low sheen <input type="checkbox"/>	+\$0
<b>99G</b>	recograin wenge, quarter cut, low sheen <input type="checkbox"/>	+\$0
<b>99W</b>	recograin walnut, quarter cut, low sheen <input type="checkbox"/>	+\$0

Premium Veneer - Low Sheen		
<i>For walnut (W)</i>		
<b>962</b>	toasted walnut, low sheen <input type="checkbox"/>	+\$0
<b>963</b>	charred walnut, low sheen <input type="checkbox"/>	+\$0
<b>964</b>	bronzed walnut, low sheen <input type="checkbox"/>	+\$0
<b>965</b>	smoked walnut, low sheen <input type="checkbox"/>	+\$0
<b>966</b>	coffee walnut, low sheen <input type="checkbox"/>	+\$0
<b>972</b>	sundance walnut <input type="checkbox"/>	+\$0
<b>98R</b>	recograin rosewood <input type="checkbox"/>	+\$0
<b>99R</b>	recograin rosewood <input type="checkbox"/>	+\$0
<b>EK</b>	medium red walnut <input type="checkbox"/>	+\$0
<b>G2U</b>	light brown walnut, low sheen <input type="checkbox"/>	+\$0
<b>G40</b>	dark brown walnut, low sheen <input type="checkbox"/>	+\$0

Premium Veneer - Matte		
<i>For walnut (W)</i>		
<b>662</b>	toasted walnut, matte sheen <input type="checkbox"/>	+\$0
<b>663</b>	charred walnut, matte sheen <input type="checkbox"/>	+\$0
<b>664</b>	bronzed walnut, matte sheen <input type="checkbox"/>	+\$0
<b>665</b>	smoked walnut, matte sheen <input type="checkbox"/>	+\$0
<b>666</b>	coffee walnut, matte sheen <input type="checkbox"/>	+\$0
<b>667</b>	smoked paldao, quarter cut, matte sheen <input type="checkbox"/>	+\$0
<b>669</b>	warm paldao, quarter cut, matte sheen <input type="checkbox"/>	+\$0
<b>68R</b>	recograin rosewood <input type="checkbox"/>	+\$0
<b>69R</b>	recograin rosewood <input type="checkbox"/>	+\$0
<b>GOU</b>	natural walnut, flat cut, matte sheen <input type="checkbox"/>	+\$0

Recon Veneer -		
<i>For walnut (W)</i>		
<b>96G</b>	wenge recograin, quarter cut, low sheen <input type="checkbox"/>	+\$0
<b>99G</b>	recograin wenge, quarter cut, low sheen <input type="checkbox"/>	+\$0

Anigre Veneer - Low Sheen		
<i>For walnut (W)</i>		
<b>967</b>	smoked paldao, low sheen <input type="checkbox"/>	+\$0
<b>969</b>	warm paldao, low sheen <input type="checkbox"/>	+\$0

RecoGrain Veneer		
<i>For walnut (W)</i>		
<b>66G</b>	recograin wenge <input type="checkbox"/>	+\$0
<b>69G</b>	recograin wenge <input type="checkbox"/>	+\$0

Step 4. Seat/Back Fabric	
Price Category (Geiger) COM <input type="checkbox"/>	+\$0
Price Category (Geiger) COL <input type="checkbox"/>	+\$216
Price Category 1	+\$0
Price Category 2	+\$188
Price Category (Geiger) 3	+\$236
Price Category 3	+\$236
Price Category (Geiger) 4	+\$288
Price Category 4	+\$288
Price Category (Geiger) 5	+\$420
Price Category 5	+\$0
Price Category (Geiger) 6	+\$552
Price Category (Geiger) 7	+\$684
Price Category (Geiger) 8	+\$1048
Price Category 9	+\$1300
Price Category (Geiger) 10	+\$1496
Price Category (Geiger) 11	+\$1676
Price Category 11	+\$1676
Price Category (Geiger) 14	+\$0

Price Category (Geiger) C	+\$212
Price Category (Geiger) D	+\$280
Price Category (Geiger) E	+\$556
Price Category (Geiger) F	+\$408
Price Category (Geiger) G	+\$556
Price Category (Geiger) H	+\$692
Price Category (Geiger) I	+\$836
Price Category (Geiger) J	+\$980
Price Category (Geiger) K	+\$1124
Price Category (Geiger) L	+\$1268
Price Category (Geiger) M	+\$1412
Price Category (Geiger) N	+\$1556
Price Category (Geiger) O	+\$1700
Price Category (Geiger) P	+\$1840
Price Category (Geiger) Q	+\$2124
Price Category (Geiger) R	+\$2960
Price Category (Geiger) S	+\$3180
Price Category (Geiger) T	+\$3400
Price Category (Geiger) U	+\$3620
Price Category (Geiger) X	+\$4280
Price Category (Geiger) Y	+\$4500

---

Step 5. Sling/Arm Leather

Price Category (Geiger) 11	+\$1257
Price Category 11	+\$1257

---

Step 6. Base Finish

<b>BNZ</b> bronze <input type="checkbox"/> A	+\$0
<b>CHR</b> chrome <input type="checkbox"/> A	+\$0
<b>SAC</b> satin chrome <input type="checkbox"/> A	+\$0

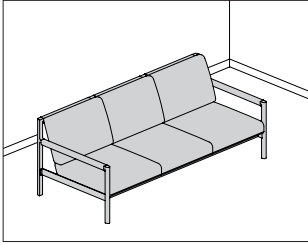
---

Step 7. Fire Retardancy

<b>NOCAL</b> no cal-133 required <input type="checkbox"/> A	+\$0
<b>133</b> cal-133 required <input type="checkbox"/> A	+\$260

# Brabo Sofa

SVV6A  
SVV6W



## Product Information

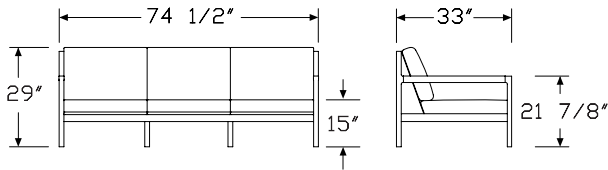
### Description

This sofa has a solid ash or solid walnut frame with steel-plated metal, leather sling and arm wrap, and upholstered foam cushions.

### Notes

Customers Own Material (COM) requires 6 yards for the back and seat cushions. Customers Own Leather (COL) requires 108 square feet for the back and seat cushions, and an additional 81 square feet for the sling and arm wrap. See Order Information in Appendices.

### Dimensions



HermanMiller Collection—Sofas

## Specification Information

### Step 1.

**SVV6**

### Step 2. Frame Finish

**A** ash

**W** walnut

### Prices for Steps 1-2.

**SVV6A** \$6293

**SVV6W** \$6567

### Step 3. Wood Finish

#### Anigre Veneer - Low Sheen

##### For ash (A)

**967** smoked paldao, low sheen  +\$0

**969** warm paldao, low sheen  +\$0

#### Premium Veneer - Low Sheen

##### For ash (A)

**940** sundance cherry on maple  +\$0

**943** caramel cherry  +\$0

**946** cocoa cherry  +\$0

**956** cocoa sapele  +\$0

**962** toasted walnut, low sheen  +\$0

**963** charred walnut, low sheen  +\$0

**964** bronzed walnut, low sheen  +\$0

**965** smoked walnut, low sheen  +\$0

**966** coffee walnut, low sheen  +\$0

**977** chocolate ash, low sheen  +\$0

**98R** recograin rosewood  +\$0

**991** champagne ash  +\$0

**998** ebony ash  +\$0

**99A** recograin frosty ash  +\$0

**99R** recograin rosewood  +\$0

**99T** recograin teak  +\$0

**9A1** white ash, quarter cut, low sheen  +\$0

**9K1** rift oak, rift cut, low sheen  +\$0

**9K6** burnt oak, rift cut, low sheen  +\$0

**ED** aged cherry  +\$0

**EK** medium red walnut  +\$0

**G2U** light brown walnut, low sheen  +\$0

**G40** dark brown walnut, low sheen  +\$0

**UX** walnut on cherry  +\$0

Premium Veneer - Matte		
<i>For ash (A)</i>		
<b>66A</b>	recograin frosty ash <input type="checkbox"/>	+\$0
<b>677</b>	chocolate ash, matte sheen <input type="checkbox"/>	+\$0
<b>68R</b>	recograin rosewood <input type="checkbox"/>	+\$0
<b>69A</b>	recograin frosty ash <input type="checkbox"/>	+\$0
<b>69R</b>	recograin rosewood <input type="checkbox"/>	+\$0
<b>69T</b>	recograin teak <input type="checkbox"/>	+\$0
<b>6A1</b>	white ash <input type="checkbox"/>	+\$0
<b>6K1</b>	rift oak <input type="checkbox"/>	+\$0
<b>6K6</b>	burnt oak <input type="checkbox"/>	+\$0
<b>ET</b>	clear on ash <input type="checkbox"/>	+\$0
<b>EU</b>	oak on ash <input type="checkbox"/>	+\$0
<b>EV</b>	walnut on ash <input type="checkbox"/>	+\$0
<b>GOU</b>	natural walnut, flat cut, matte sheen <input type="checkbox"/>	+\$0

RecoGrain Veneer		
<i>For ash (A)</i>		
<b>66G</b>	recograin wenge <input type="checkbox"/>	+\$0
<b>68W</b>	recograin walnut, flat cut, matte sheen <input type="checkbox"/>	+\$0
<b>69G</b>	recograin wenge <input type="checkbox"/>	+\$0
<b>69W</b>	recograin walnut, quarter cut, matte sheen <input type="checkbox"/>	+\$0

Recon Veneer -		
<i>For ash (A)</i>		
<b>98W</b>	recograin walnut, flat cut, low sheen <input type="checkbox"/>	+\$0
<b>99G</b>	recograin wenge, quarter cut, low sheen <input type="checkbox"/>	+\$0
<b>99W</b>	recograin walnut, quarter cut, low sheen <input type="checkbox"/>	+\$0

Anigre Veneer - Low Sheen		
<i>For walnut (W)</i>		
<b>967</b>	smoked paldao, low sheen <input type="checkbox"/>	+\$0
<b>969</b>	warm paldao, low sheen <input type="checkbox"/>	+\$0

Premium Veneer - Low Sheen		
<i>For walnut (W)</i>		
<b>962</b>	toasted walnut, low sheen <input type="checkbox"/>	+\$0
<b>963</b>	charred walnut, low sheen <input type="checkbox"/>	+\$0
<b>964</b>	bronzed walnut, low sheen <input type="checkbox"/>	+\$0
<b>965</b>	smoked walnut, low sheen <input type="checkbox"/>	+\$0
<b>966</b>	coffee walnut, low sheen <input type="checkbox"/>	+\$0
<b>972</b>	sundance walnut <input type="checkbox"/>	+\$0
<b>98R</b>	recograin rosewood <input type="checkbox"/>	+\$0
<b>99R</b>	recograin rosewood <input type="checkbox"/>	+\$0
<b>EK</b>	medium red walnut <input type="checkbox"/>	+\$0

Premium Veneer - Matte		
<i>For walnut (W)</i>		
<b>662</b>	toasted walnut, matte sheen <input type="checkbox"/>	+\$0
<b>663</b>	charred walnut, matte sheen <input type="checkbox"/>	+\$0
<b>664</b>	bronzed walnut, matte sheen <input type="checkbox"/>	+\$0
<b>665</b>	smoked walnut, matte sheen <input type="checkbox"/>	+\$0
<b>666</b>	coffee walnut, matte sheen <input type="checkbox"/>	+\$0
<b>667</b>	smoked paldao, quarter cut, matte sheen <input type="checkbox"/>	+\$0
<b>669</b>	warm paldao, quarter cut, matte sheen <input type="checkbox"/>	+\$0
<b>68R</b>	recograin rosewood <input type="checkbox"/>	+\$0
<b>69R</b>	recograin rosewood <input type="checkbox"/>	+\$0

RecoGrain Veneer		
<i>For walnut (W)</i>		
<b>66G</b>	recograin wenge <input type="checkbox"/>	+\$0
<b>69G</b>	recograin wenge <input type="checkbox"/>	+\$0

Recon Veneer -		
<i>For walnut (W)</i>		
<b>96G</b>	wenge recograin, quarter cut, low sheen <input type="checkbox"/>	+\$0
<b>99G</b>	recograin wenge, quarter cut, low sheen <input type="checkbox"/>	+\$0

Matte Wood Finishes		
<i>For walnut (W)</i>		
<b>GOU</b>	natural walnut, flat cut, matte sheen <input type="checkbox"/>	+\$0

Step 4. Seat/Back Fabric		
Price Category (Geiger) COL <input type="checkbox"/>		+\$324
Price Category (Geiger) COM <input type="checkbox"/>		+\$0
Price Category 1		+\$0
Price Category 2		+\$282
Price Category 3		+\$354
Price Category (Geiger) 3		+\$354
Price Category 4		+\$432
Price Category (Geiger) 4		+\$432
Price Category 5		+\$420
Price Category (Geiger) 5		+\$630
Price Category (Geiger) 6		+\$828
Price Category (Geiger) 7		+\$1026
Price Category (Geiger) 8		+\$1572
Price Category 9		+\$1950
Price Category (Geiger) 10		+\$2244
Price Category 11		+\$2514
Price Category (Geiger) 11		+\$2514
Price Category (Geiger) 14		+\$0
Price Category (Geiger) C		+\$318
Price Category (Geiger) D		+\$420

Brabo Sofa *continued*

Price Category (Geiger) E	+\$510
Price Category (Geiger) F	+\$612
Price Category (Geiger) G	+\$834
Price Category (Geiger) H	+\$1038
Price Category (Geiger) I	+\$1254
Price Category (Geiger) J	+\$1470
Price Category (Geiger) K	+\$1686
Price Category (Geiger) L	+\$1902
Price Category (Geiger) M	+\$2118
Price Category (Geiger) N	+\$2334
Price Category (Geiger) O	+\$2550
Price Category (Geiger) P	+\$2760
Price Category (Geiger) Q	+\$3186
Price Category (Geiger) R	+\$4440
Price Category (Geiger) S	+\$4770
Price Category (Geiger) T	+\$5100
Price Category (Geiger) U	+\$5430
Price Category (Geiger) X	+\$6420
Price Category (Geiger) Y	+\$6750

---

Step 5. Sling/Arm Leather

Price Category (Geiger) 11	+\$1886
Price Category 11	+\$1886

---

Step 6. Base Finish

<b>BNZ</b> bronze <input type="checkbox"/>	+\$0
<b>CHR</b> chrome <input type="checkbox"/>	+\$0
<b>SAC</b> satin chrome <input type="checkbox"/>	+\$0

---

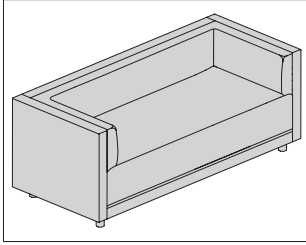
Step 7. Fire Retardancy

<b>NOCAL</b> no cal-133 required <input type="checkbox"/>	+\$0
<b>133</b> cal-133 required <input type="checkbox"/>	+\$390



# Rolled Arm Sofa

SBRA-



### Product Information

#### Description

This sofa is made of plywood with FR foam and Dacron® on the seat and back. The arms consist of FR foam, Dacron, and polyfoam. The legs are solid ash or walnut.

#### Notes

Customer's Own Material (COM) and Customer's Own Leather (COL) require the following. See Order Information in Appendices for additional information.

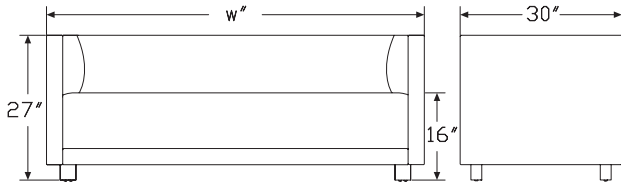
Width—COM—COL

72"—9 yards—162 square feet

84"—11 yards—198 square feet

96"—12½ yards—225 square feet

### Dimensions



### Specification Information

#### Step 1.

**SBRA**  A

#### Step 2. Size

**-72** 72" wide  A

**-84** 84" wide  A

**-96** 96" wide  A

#### Prices for Steps 1-2.

<b>SBRA-72</b>	\$4500
<b>SBRA-84</b>	\$4710
<b>SBRA-96</b>	\$5085

#### Step 3. Wood Finish

#### Premium Veneer - Low Sheen

<b>932</b>	sundance anigre <input type="checkbox"/> A	+\$0
<b>933</b>	caramel anigre <input type="checkbox"/> A	+\$0
<b>934</b>	henna anigre <input type="checkbox"/> A	+\$0
<b>940</b>	sundance cherry on maple <input type="checkbox"/> A	+\$0
<b>943</b>	caramel cherry <input type="checkbox"/> A	+\$0
<b>946</b>	cocoa cherry <input type="checkbox"/> A	+\$0
<b>956</b>	cocoa sapele <input type="checkbox"/> A	+\$0
<b>962</b>	toasted walnut, low sheen <input type="checkbox"/> A	+\$0
<b>963</b>	charred walnut, low sheen <input type="checkbox"/> A	+\$0
<b>964</b>	bronzed walnut, low sheen <input type="checkbox"/> A	+\$0
<b>965</b>	smoked walnut, low sheen <input type="checkbox"/> A	+\$0
<b>966</b>	coffee walnut, low sheen <input type="checkbox"/> A	+\$0
<b>967</b>	smoked paldao, low sheen <input type="checkbox"/> A	+\$0
<b>969</b>	warm paldao, low sheen <input type="checkbox"/> A	+\$0
<b>972</b>	sundance walnut <input type="checkbox"/> A	+\$0
<b>977</b>	chocolate ash, low sheen <input type="checkbox"/> A	+\$0
<b>98R</b>	recograin rosewood <input type="checkbox"/> A	+\$0
<b>991</b>	champagne ash <input type="checkbox"/> A	+\$0
<b>998</b>	ebony ash <input type="checkbox"/> A	+\$0
<b>99A</b>	recograin frosty ash <input type="checkbox"/> A	+\$0
<b>99R</b>	recograin rosewood <input type="checkbox"/> A	+\$0
<b>99T</b>	recograin teak <input type="checkbox"/> A	+\$0
<b>9A1</b>	white ash, quarter cut, low sheen <input type="checkbox"/> A	+\$0
<b>9K1</b>	rift oak, rift cut, low sheen <input type="checkbox"/> A	+\$0
<b>9K6</b>	burnt oak, rift cut, low sheen <input type="checkbox"/> A	+\$0
<b>ED</b>	aged cherry <input type="checkbox"/> A	+\$0
<b>EK</b>	medium red walnut <input type="checkbox"/> A	+\$0
<b>G2U</b>	light brown walnut, low sheen <input type="checkbox"/> A	+\$0
<b>G40</b>	dark brown walnut, low sheen <input type="checkbox"/> A	+\$0
<b>UX</b>	walnut on cherry <input type="checkbox"/> A	+\$0

HermanMiller Collection—Sofas

Rolled Arm Sofa *continued*

Premium Veneer - Matte

<b>662</b>	toasted walnut, matte sheen <input type="checkbox"/>	+\$0
<b>663</b>	charred walnut, matte sheen <input type="checkbox"/>	+\$0
<b>664</b>	bronzed walnut, matte sheen <input type="checkbox"/>	+\$0
<b>665</b>	smoked walnut, matte sheen <input type="checkbox"/>	+\$0
<b>666</b>	coffee walnut, matte sheen <input type="checkbox"/>	+\$0
<b>667</b>	smoked paldao, quarter cut, matte sheen <input type="checkbox"/>	+\$0
<b>669</b>	warm paldao, quarter cut, matte sheen <input type="checkbox"/>	+\$0
<b>66A</b>	recograin frosty ash <input type="checkbox"/>	+\$0
<b>677</b>	chocolate ash, matte sheen <input type="checkbox"/>	+\$0
<b>68R</b>	recograin rosewood <input type="checkbox"/>	+\$0
<b>69A</b>	recograin frosty ash <input type="checkbox"/>	+\$0
<b>69R</b>	recograin rosewood <input type="checkbox"/>	+\$0
<b>69T</b>	recograin teak <input type="checkbox"/>	+\$0
<b>6A1</b>	white ash <input type="checkbox"/>	+\$0
<b>6K1</b>	rift oak <input type="checkbox"/>	+\$0
<b>6K6</b>	burnt oak <input type="checkbox"/>	+\$0
<b>ET</b>	clear on ash <input type="checkbox"/>	+\$0
<b>EU</b>	oak on ash <input type="checkbox"/>	+\$0
<b>EV</b>	walnut on ash <input type="checkbox"/>	+\$0
<b>GOU</b>	natural walnut, flat cut, matte sheen <input type="checkbox"/>	+\$0

RecoGrain Veneer

<b>66G</b>	recograin wenge <input type="checkbox"/>	+\$0
<b>68W</b>	recograin walnut, flat cut, matte sheen <input type="checkbox"/>	+\$0
<b>69G</b>	recograin wenge <input type="checkbox"/>	+\$0
<b>69W</b>	recograin walnut, quarter cut, matte sheen <input type="checkbox"/>	+\$0

Recon Veneer -

<b>96G</b>	wenge recograin, quarter cut, low sheen <input type="checkbox"/>	+\$0
<b>98W</b>	recograin walnut, flat cut, low sheen <input type="checkbox"/>	+\$0
<b>99G</b>	recograin wenge, quarter cut, low sheen <input type="checkbox"/>	+\$0
<b>99W</b>	recograin walnut, quarter cut, low sheen <input type="checkbox"/>	+\$0

Step 4. Upholstery

*For 72" wide (-72)*

Price Category 1	+\$0
Price Category (Geiger) 2	+\$0
Price Category 2	+\$423
Price Category (Geiger) 3	+\$531
Price Category 3	+\$531
Price Category (Geiger) 4	+\$648
Price Category 4	+\$756
Price Category (Geiger) 5	+\$945
Price Category 5	+\$945
Price Category (Geiger) 6	+\$1242
Price Category (Geiger) 7	+\$1539
Price Category (Geiger) 8	+\$2358
Price Category 9	+\$2925
Price Category (Geiger) 10	+\$3366
Price Category (Geiger) 11	+\$3771
Price Category (Geiger) 14	+\$4941
Price Category (Geiger) C	+\$0
Price Category (Geiger) D	+\$788
Price Category (Geiger) E	+\$893
Price Category (Geiger) F	+\$998
Price Category (Geiger) G	+\$1103
Price Category (Geiger) H	+\$1208
Price Category (Geiger) I	+\$1881
Price Category (Geiger) J	+\$1365
Price Category (Geiger) K	+\$1523
Price Category (Geiger) L	+\$1680
Price Category (Geiger) N	+\$2100
Price Category (Geiger) P	+\$2310
Price Category (Geiger) Q	+\$4475
Price Category (Geiger) U	+\$8145
Price Category (Geiger) X	+\$9630
Price Category (Geiger) COL <input type="checkbox"/>	+\$648
Price Category (Geiger) COM <input type="checkbox"/>	+\$0

Rolled Arm Sofa *continued*

*For 84" wide (-84)*

Price Category 1	+\$0
Price Category (Geiger) 2	+\$0
Price Category 2	+\$517
Price Category (Geiger) 3	+\$649
Price Category 3	+\$649
Price Category (Geiger) 4	+\$792
Price Category 4	+\$828
Price Category (Geiger) 5	+\$1155
Price Category 5	+\$1155
Price Category (Geiger) 6	+\$1518
Price Category (Geiger) 7	+\$1881
Price Category (Geiger) 8	+\$2882
Price Category 9	+\$3575
Price Category (Geiger) 10	+\$4114
Price Category 10	+\$0
Price Category (Geiger) 11	+\$4609
Price Category (Geiger) 14	+\$6039
Price Category (Geiger) C	+\$0
Price Category (Geiger) D	+\$863
Price Category (Geiger) E	+\$978
Price Category (Geiger) F	+\$1093
Price Category (Geiger) G	+\$1208
Price Category (Geiger) H	+\$1323
Price Category (Geiger) I	+\$2299
Price Category (Geiger) J	+\$1495
Price Category (Geiger) K	+\$1668
Price Category (Geiger) L	+\$1840
Price Category (Geiger) N	+\$2300
Price Category (Geiger) P	+\$2530
Price Category (Geiger) Q	+\$4900
Price Category (Geiger) U	+\$9955
Price Category (Geiger) X	+\$11770
Price Category (Geiger) COL <span style="border: 1px solid black; padding: 0 2px;">A</span>	+\$792
Price Category (Geiger) COM <span style="border: 1px solid black; padding: 0 2px;">A</span>	+\$0

*For 96" wide (-96)*

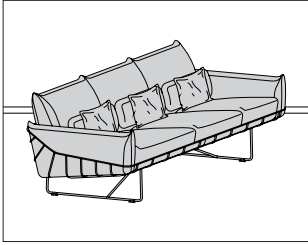
Price Category 1	+\$0
Price Category (Geiger) 2	+\$0
Price Category 2	+\$588
Price Category (Geiger) 3	+\$738
Price Category 3	+\$738
Price Category (Geiger) 4	+\$900
Price Category 4	+\$900
Price Category (Geiger) 5	+\$1313
Price Category 5	+\$1313
Price Category (Geiger) 6	+\$1725
Price Category (Geiger) 7	+\$2138
Price Category (Geiger) 8	+\$3275
Price Category 9	+\$4063
Price Category (Geiger) 10	+\$4675
Price Category (Geiger) 11	+\$5238
Price Category (Geiger) 14	+\$6863
Price Category (Geiger) C	+\$0
Price Category (Geiger) D	+\$938
Price Category (Geiger) E	+\$1063
Price Category (Geiger) F	+\$1188
Price Category (Geiger) G	+\$1313
Price Category (Geiger) H	+\$1438
Price Category (Geiger) I	+\$2613
Price Category (Geiger) J	+\$1625
Price Category (Geiger) K	+\$1813
Price Category (Geiger) L	+\$2000
Price Category (Geiger) N	+\$2500
Price Category (Geiger) P	+\$2750
Price Category (Geiger) Q	+\$5325
Price Category (Geiger) U	+\$11313
Price Category (Geiger) X	+\$13375
Price Category (Geiger) COL <span style="border: 1px solid black; padding: 0 2px;">A</span>	+\$900
Price Category (Geiger) COM <span style="border: 1px solid black; padding: 0 2px;">A</span>	+\$0

Step 5. Fire Retardancy

<b>NOCAL</b> no cal-133 required <span style="border: 1px solid black; padding: 0 2px;">A</span>	+\$0
<b>133</b> cal-133 required <span style="border: 1px solid black; padding: 0 2px;">A</span>	+\$585
<b>133</b> cal-133 required <span style="border: 1px solid black; padding: 0 2px;">A</span>	+\$715
<b>133</b> cal-133 required <span style="border: 1px solid black; padding: 0 2px;">A</span>	+\$813

# Wireframe™ Sofa

BK110



## Product Information

### Description

This sofa has contoured cushions on a separate wire frame structure, featuring SuperSeat™ technology. It is available in 2-seat or 3-seat configuration. Lumbar and throw pillows included.

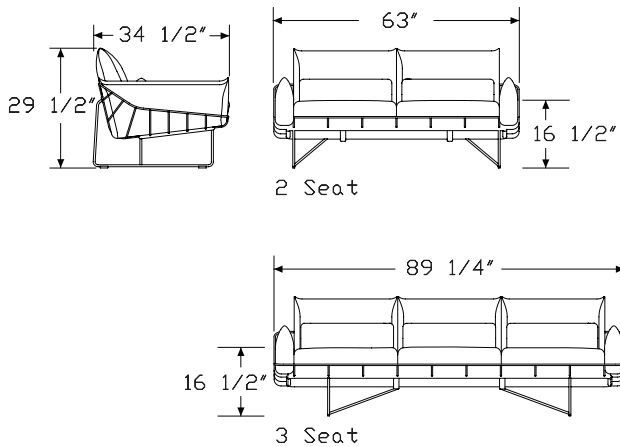
### Notes

Fire retardant sofa meets CAL 133 requirements.

COM/COL requires 11 yards/198 square feet per 2-seat sofa, and 14 yards/252 square feet per 3-seat sofa.

Lumbar and throw pillows are shipped in same material specified for chair cushions.

### Dimensions



HermanMiller Collection—Sofas

## Specification Information

### Step 1.

**BK1**  A

### Step 2. Size

**1002** 2-seat sofa  A

**1003** 3-seat sofa  A

### Prices for Steps 1-2.

<b>BK11002</b>	\$5359
<b>BK11003</b>	\$6517

### Step 3. Frame Finish

<b>91</b> white <input type="checkbox"/> A	+\$0
<b>BK</b> black <input type="checkbox"/> A	+\$0

### Step 4. Fabric

	<b>1002</b>	<b>1003</b>
Price Category 1	+\$0	0
Price Category 2	+\$200	250
Price Category 3	+\$300	350
Price Category (Geiger) 3	+\$300	350
Price Category 4	+\$500	600
Price Category (Geiger) 4	+\$500	600
Price Category 5	+\$700	850
Price Category (Geiger) 5	+\$700	850
Price Category 6	+\$950	1100
Price Category (Geiger) 6	+\$950	1100
Price Category 7	+\$1250	1500
Price Category (Geiger) 7	+\$1250	1500
Price Category 8	+\$1600	1600
Price Category (Geiger) 8	+\$1600	1950
Price Category 9	+\$1950	2350
Price Category (Geiger) 9	+\$1950	2350
Price Category 10	+\$2350	2800
Price Category (Geiger) 10	+\$2350	2800
Price Category 11	+\$2700	3250
Price Category (Geiger) 11	+\$2700	3250
Price Category 14	+\$3750	4550
Price Category B	+\$282	359
Price Category C	+\$472	601
Price Category D	+\$647	823
Price Category E	+\$782	995
Price Category F	+\$1010	1286
Price Category G	+\$1312	1670
Price Category H	+\$1595	2031
Price Category (Geiger) H	+\$1595	2031

# Wireframe™ Sofa *continued*

Price Category I	+\$1875	2387
Price Category J	+\$2155	2743
Price Category K	+\$2435	3099
Price Category L	+\$2715	3455
Price Category M	+\$2995	3812
Price Category N	+\$3275	4168
Price Category O	+\$3555	4524
Price Category P	+\$3834	4880
Price Category Q	+\$4128	5254
Price Category R	+\$5868	7469
Price Category S	+\$4744	6038
Price Category T	+\$5052	6430
Price Category U	+\$5360	6822
Price Category X	+\$7985	10163
Price Category Y	+\$8408	10702

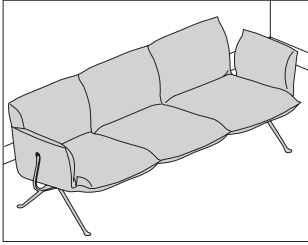
---

## Step 5. Fire Retardancy

<b>NOCAL</b> not fire retardant	<input type="checkbox"/>	A	+\$0
<b>133</b> fire retardant	<input type="checkbox"/>	A	+\$488

# Officina Sofa

SD224  
SD225

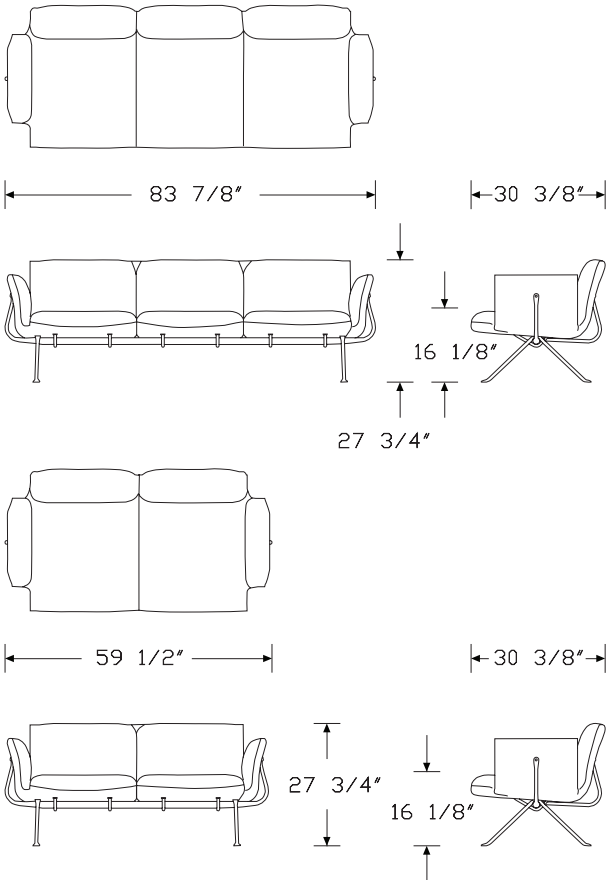


## Product Information

### Description

This sofa has a wrought iron frame available in galvanized or painted grey anthracite finish. Seat and back are upholstered. Ships assembled.

### Dimensions



HermanMiller Collection—Sofas

## Specification Information

### Step 1.

**SD22**

### Step 2. Configuration

**4X** 2-seat sofa

**5X** 3-seat sofa

### Prices for Steps 1-2.

**SD224X** \$4325

**SD225X** \$6195

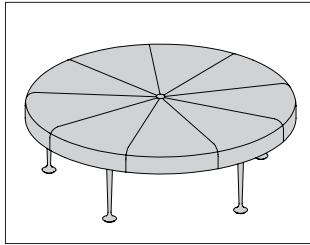
### Step 3. Frame Finish

**GLV** galvanized  +\$0

**YCB** grey anthracite  +\$0

### Step 4. Upholstery

		4X	5X
<b>YLQ</b>	Glamour Azimut Velvet Yellow <input type="checkbox"/>	+\$200	300
<b>YLR</b>	Torri Lana, AT1 Rico Dark Blue <input type="checkbox"/>	+\$0	0
<b>YLS</b>	Divina Melange 120 <input type="checkbox"/>	+\$600	900

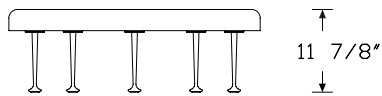
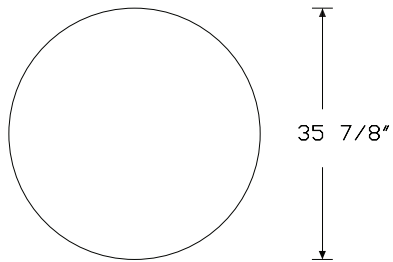


**Product Information**

**Description**

This ottoman is upholstered in either Jacobs Coat or a coordinated trio of Hallingdal colors. Legs are polished aluminum and have nonadjustable nylon glides.

**Dimensions**



**Specification Information**

**Step 1.**

**66332** A \$2055

**Step 2. Base Finish**

**L** polished aluminum A +\$0

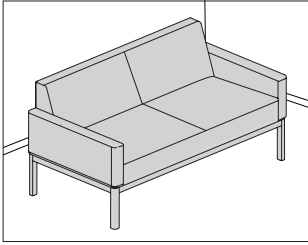
**Step 3. Fabric**

Price Category H +\$400

Price Category L +\$700

# Wood Base Settee

TT2AA  
TT2AW



### Product Information

#### Description

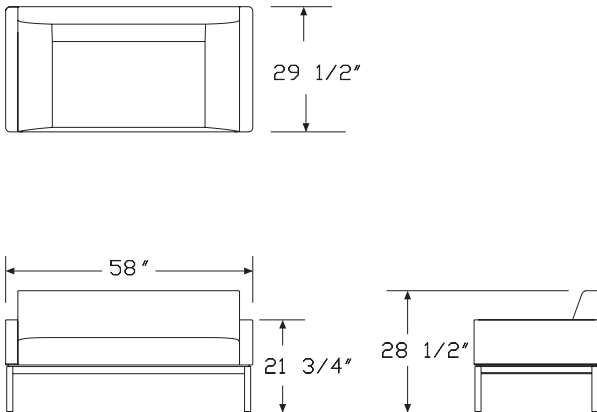
This settee has a polyurethane foam and Dacron® seat with a solid wood base. Base comes in ash or walnut.

#### Notes

Fire retardant settee meets CAL 133 requirements.

Customer's Own Material (COM) requires 5¼ yards. Customer's Own Leather (COL) requires 94½ square feet. See Order Information in appendices.

#### Dimensions



HermanMiller Collection—Sofas

### Specification Information

#### Step 1.

TT2  A

#### Step 2. Arms

A arms  A

#### Step 3. Wood Finish

A ash  A

W walnut  A

#### Prices for Steps 1-3.

<b>TT2AA</b>	\$3595
<b>TT2AW</b>	\$3795

#### Step 4. Upholstery

Price Category (Geiger) COL <input type="checkbox"/> A	+\$306
Price Category (Geiger) COM <input type="checkbox"/> A	+\$0
Price Category 1	+\$0
Price Category (Geiger) 2	+\$200
Price Category 2	+\$0
Price Category (Geiger) 3	+\$251
Price Category 3	+\$0
Price Category (Geiger) 4	+\$306
Price Category (Geiger) 5	+\$446
Price Category 5	+\$445
Price Category (Geiger) 6	+\$0
Price Category (Geiger) 7	+\$727
Price Category (Geiger) 8	+\$1114
Price Category (Geiger) 10	+\$1381
Price Category (Geiger) 11	+\$1781
Price Category 11	+\$1781

#### Step 5. Leg Finish

#### Low Sheen Finishes (on Ash)

#### For ash (A)

<b>967</b>	smoked paldao, low sheen <input type="checkbox"/> A	+\$0
<b>969</b>	warm paldao, low sheen <input type="checkbox"/> A	+\$0



Low Sheen Finishes (on Ash)

*For ash (A)*

<b>940</b>	sundance cherry on maple [A]	+\$0
<b>943</b>	caramel cherry [A]	+\$0
<b>946</b>	cocoa cherry [A]	+\$0
<b>956</b>	cocoa sapele [A]	+\$0
<b>962</b>	toasted walnut, low sheen [A]	+\$0
<b>963</b>	charred walnut, low sheen [A]	+\$0
<b>964</b>	bronzed walnut, low sheen [A]	+\$0
<b>965</b>	smoked walnut, low sheen [A]	+\$0
<b>966</b>	coffee walnut, low sheen [A]	+\$0
<b>977</b>	chocolate ash, low sheen [A]	+\$0
<b>98R</b>	recograin rosewood [A]	+\$0
<b>991</b>	champagne ash [A]	+\$0
<b>998</b>	ebony ash [A]	+\$0
<b>99A</b>	recograin frosty ash [A]	+\$0
<b>99R</b>	recograin rosewood [A]	+\$0
<b>99T</b>	recograin teak [A]	+\$0
<b>9A1</b>	white ash, quarter cut, low sheen [A]	+\$0
<b>9K1</b>	rift oak, rift cut, low sheen [A]	+\$0
<b>9K6</b>	burnt oak, rift cut, low sheen [A]	+\$0
<b>ED</b>	aged cherry [A]	+\$0
<b>EK</b>	medium red walnut [A]	+\$0
<b>G2U</b>	light brown walnut, low sheen [A]	+\$0
<b>G40</b>	dark brown walnut, low sheen [A]	+\$0
<b>UX</b>	walnut on cherry [A]	+\$0

Low Sheen Finishes (on Ash)

*For ash (A)*

<b>98W</b>	recograin walnut, flat cut, low sheen [A]	+\$0
<b>99G</b>	recograin wenge, quarter cut, low sheen [A]	+\$0
<b>99W</b>	recograin walnut, quarter cut, low sheen [A]	+\$0

Matte Sheen Finishes (on Ash)

*For ash (A)*

<b>66A</b>	recograin frosty ash [A]	+\$0
<b>677</b>	chocolate ash, matte sheen [A]	+\$0
<b>68R</b>	recograin rosewood [A]	+\$0
<b>69A</b>	recograin frosty ash [A]	+\$0
<b>69R</b>	recograin rosewood [A]	+\$0
<b>69T</b>	recograin teak [A]	+\$0
<b>6A1</b>	white ash [A]	+\$0
<b>6K1</b>	rift oak [A]	+\$0
<b>6K6</b>	burnt oak [A]	+\$0
<b>ET</b>	clear on ash [A]	+\$0
<b>EU</b>	oak on ash [A]	+\$0
<b>EV</b>	walnut on ash [A]	+\$0
<b>GOU</b>	natural walnut, flat cut, matte sheen [A]	+\$0

Matte Sheen Finishes (on Ash)

*For ash (A)*

<b>66G</b>	recograin wenge [A]	+\$0
<b>68W</b>	recograin walnut, flat cut, matte sheen [A]	+\$0
<b>69G</b>	recograin wenge [A]	+\$0
<b>69W</b>	recograin walnut, quarter cut, matte sheen [A]	+\$0

Low Sheen Finishes (on Walnut)

*For walnut (W)*

<b>967</b>	smoked paldao, low sheen [A]	+\$0
<b>969</b>	warm paldao, low sheen [A]	+\$0

Low Sheen Finishes (on Walnut)

*For walnut (W)*

<b>962</b>	toasted walnut, low sheen [A]	+\$0
<b>963</b>	charred walnut, low sheen [A]	+\$0
<b>964</b>	bronzed walnut, low sheen [A]	+\$0
<b>965</b>	smoked walnut, low sheen [A]	+\$0
<b>966</b>	coffee walnut, low sheen [A]	+\$0
<b>972</b>	sundance walnut [A]	+\$0
<b>98R</b>	recograin rosewood [A]	+\$0
<b>99R</b>	recograin rosewood [A]	+\$0
<b>EK</b>	medium red walnut [A]	+\$0
<b>G2U</b>	light brown walnut, low sheen [A]	+\$0
<b>G40</b>	dark brown walnut, low sheen [A]	+\$0

Low Sheen Finishes (on Walnut)

*For walnut (W)*

<b>96G</b>	wenge recograin, quarter cut, low sheen [A]	+\$0
<b>99G</b>	recograin wenge, quarter cut, low sheen [A]	+\$0

Wood Base Settee *continued*

---

Matte Sheen Finishes (on Walnut)

*For walnut (W)*

<b>662</b>	toasted walnut, matte sheen	<input type="checkbox"/> A	+\$0
<b>663</b>	charred walnut, matte sheen	<input type="checkbox"/> A	+\$0
<b>664</b>	bronzed walnut, matte sheen	<input type="checkbox"/> A	+\$0
<b>665</b>	smoked walnut, matte sheen	<input type="checkbox"/> A	+\$0
<b>666</b>	coffee walnut, matte sheen	<input type="checkbox"/> A	+\$0
<b>667</b>	smoked paldao, quarter cut, matte sheen	<input type="checkbox"/> A	+\$0
<b>669</b>	warm paldao, quarter cut, matte sheen	<input type="checkbox"/> A	+\$0
<b>68R</b>	recograin rosewood	<input type="checkbox"/> A	+\$0
<b>69R</b>	recograin rosewood	<input type="checkbox"/> A	+\$0
<b>GOU</b>	natural walnut, flat cut, matte sheen	<input type="checkbox"/> A	+\$0

---

Matte Sheen Finishes (on Walnut)

*For walnut (W)*

<b>66G</b>	recograin wenge	<input type="checkbox"/> A	+\$0
<b>69G</b>	recograin wenge	<input type="checkbox"/> A	+\$0

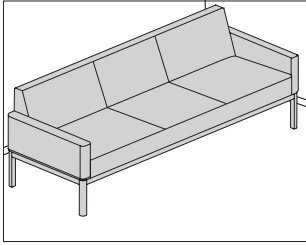
---

Step 6. Fire Retardancy

<b>133</b>	cal-133 required	<input type="checkbox"/> A	+\$276
<b>NOCAL</b>	no cal-133 required	<input type="checkbox"/> A	+\$0

# Wood Base Sofa

TT3AA  
TT3AW



### Product Information

#### Description

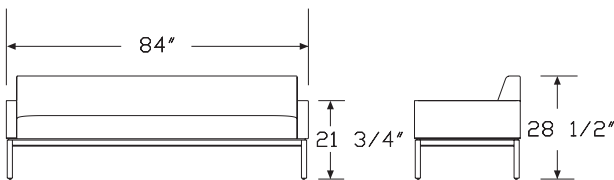
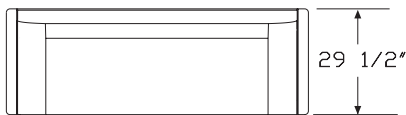
This sofa has a polyurethane foam and Dacron® seat with a solid wood base. Base comes in ash or walnut.

#### Notes

Fire retardant sofa meets CAL 133 requirements.

Customer's Own Material (COM) requires 7¼ yards. Customer's Own Leather (COL) requires 130½ square feet. See Order Information in appendices.

#### Dimensions



### Specification Information

#### Step 1.

**TT3**  A

#### Step 2. Arms

**A** arms  A

#### Step 3. Wood Finish

**A** ash  A

**W** walnut  A

#### Prices for Steps 1-3.

<b>TT3AA</b>	\$4400
<b>TT3AW</b>	\$4700

#### Step 4. Upholstery

Price Category (Geiger) COL <input type="checkbox"/> A	+ \$414
Price Category (Geiger) COM <input type="checkbox"/> A	+ \$0
Price Category 1	+ \$0
Price Category (Geiger) 2	+ \$270
Price Category 2	+ \$0
Price Category (Geiger) 3	+ \$339
Price Category 3	+ \$0
Price Category (Geiger) 4	+ \$414
Price Category (Geiger) 5	+ \$604
Price Category 5	+ \$604
Price Category (Geiger) 6	+ \$0
Price Category (Geiger) 7	+ \$983
Price Category (Geiger) 8	+ \$1507
Price Category (Geiger) 10	+ \$2151
Price Category (Geiger) 11	+ \$2409
Price Category 11	+ \$2409

#### Step 5. Leg Finish

#### Low Sheen Finishes (on Ash)

#### For ash (A)

<b>967</b> smoked paldao, low sheen <input type="checkbox"/> A	+ \$0
<b>969</b> warm paldao, low sheen <input type="checkbox"/> A	+ \$0

Low Sheen Finishes (on Ash)

*For ash (A)*

<b>940</b>	sundance cherry on maple <span style="border: 1px solid black; padding: 0 2px;">A</span>	+\$0
<b>943</b>	caramel cherry <span style="border: 1px solid black; padding: 0 2px;">A</span>	+\$0
<b>946</b>	cocoa cherry <span style="border: 1px solid black; padding: 0 2px;">A</span>	+\$0
<b>956</b>	cocoa sapele <span style="border: 1px solid black; padding: 0 2px;">A</span>	+\$0
<b>962</b>	toasted walnut, low sheen <span style="border: 1px solid black; padding: 0 2px;">A</span>	+\$0
<b>963</b>	charred walnut, low sheen <span style="border: 1px solid black; padding: 0 2px;">A</span>	+\$0
<b>964</b>	bronzed walnut, low sheen <span style="border: 1px solid black; padding: 0 2px;">A</span>	+\$0
<b>965</b>	smoked walnut, low sheen <span style="border: 1px solid black; padding: 0 2px;">A</span>	+\$0
<b>966</b>	coffee walnut, low sheen <span style="border: 1px solid black; padding: 0 2px;">A</span>	+\$0
<b>977</b>	chocolate ash, low sheen <span style="border: 1px solid black; padding: 0 2px;">A</span>	+\$0
<b>98R</b>	recograin rosewood <span style="border: 1px solid black; padding: 0 2px;">A</span>	+\$0
<b>991</b>	champagne ash <span style="border: 1px solid black; padding: 0 2px;">A</span>	+\$0
<b>998</b>	ebony ash <span style="border: 1px solid black; padding: 0 2px;">A</span>	+\$0
<b>99A</b>	recograin frosty ash <span style="border: 1px solid black; padding: 0 2px;">A</span>	+\$0
<b>99R</b>	recograin rosewood <span style="border: 1px solid black; padding: 0 2px;">A</span>	+\$0
<b>99T</b>	recograin teak <span style="border: 1px solid black; padding: 0 2px;">A</span>	+\$0
<b>9A1</b>	white ash, quarter cut, low sheen <span style="border: 1px solid black; padding: 0 2px;">A</span>	+\$0
<b>9K1</b>	rift oak, rift cut, low sheen <span style="border: 1px solid black; padding: 0 2px;">A</span>	+\$0
<b>9K6</b>	burnt oak, rift cut, low sheen <span style="border: 1px solid black; padding: 0 2px;">A</span>	+\$0
<b>ED</b>	aged cherry <span style="border: 1px solid black; padding: 0 2px;">A</span>	+\$0
<b>EK</b>	medium red walnut <span style="border: 1px solid black; padding: 0 2px;">A</span>	+\$0
<b>G2U</b>	light brown walnut, low sheen <span style="border: 1px solid black; padding: 0 2px;">A</span>	+\$0
<b>G40</b>	dark brown walnut, low sheen <span style="border: 1px solid black; padding: 0 2px;">A</span>	+\$0
<b>UX</b>	walnut on cherry <span style="border: 1px solid black; padding: 0 2px;">A</span>	+\$0

Low Sheen Finishes (on Ash)

*For ash (A)*

<b>98W</b>	recograin walnut, flat cut, low sheen <span style="border: 1px solid black; padding: 0 2px;">A</span>	+\$0
<b>99G</b>	recograin wenge, quarter cut, low sheen <span style="border: 1px solid black; padding: 0 2px;">A</span>	+\$0
<b>99W</b>	recograin walnut, quarter cut, low sheen <span style="border: 1px solid black; padding: 0 2px;">A</span>	+\$0

Matte Sheen Finishes (on Ash)

*For ash (A)*

<b>66A</b>	recograin frosty ash <span style="border: 1px solid black; padding: 0 2px;">A</span>	+\$0
<b>677</b>	chocolate ash, matte sheen <span style="border: 1px solid black; padding: 0 2px;">A</span>	+\$0
<b>68R</b>	recograin rosewood <span style="border: 1px solid black; padding: 0 2px;">A</span>	+\$0
<b>69A</b>	recograin frosty ash <span style="border: 1px solid black; padding: 0 2px;">A</span>	+\$0
<b>69R</b>	recograin rosewood <span style="border: 1px solid black; padding: 0 2px;">A</span>	+\$0
<b>69T</b>	recograin teak <span style="border: 1px solid black; padding: 0 2px;">A</span>	+\$0
<b>6A1</b>	white ash <span style="border: 1px solid black; padding: 0 2px;">A</span>	+\$0
<b>6K1</b>	rift oak <span style="border: 1px solid black; padding: 0 2px;">A</span>	+\$0
<b>6K6</b>	burnt oak <span style="border: 1px solid black; padding: 0 2px;">A</span>	+\$0
<b>ET</b>	clear on ash <span style="border: 1px solid black; padding: 0 2px;">A</span>	+\$0
<b>EU</b>	oak on ash <span style="border: 1px solid black; padding: 0 2px;">A</span>	+\$0
<b>EV</b>	walnut on ash <span style="border: 1px solid black; padding: 0 2px;">A</span>	+\$0
<b>GOU</b>	natural walnut, flat cut, matte sheen <span style="border: 1px solid black; padding: 0 2px;">A</span>	+\$0

Matte Sheen Finishes (on Ash)

*For ash (A)*

<b>66G</b>	recograin wenge <span style="border: 1px solid black; padding: 0 2px;">A</span>	+\$0
<b>68W</b>	recograin walnut, flat cut, matte sheen <span style="border: 1px solid black; padding: 0 2px;">A</span>	+\$0
<b>69G</b>	recograin wenge <span style="border: 1px solid black; padding: 0 2px;">A</span>	+\$0
<b>69W</b>	recograin walnut, quarter cut, matte sheen <span style="border: 1px solid black; padding: 0 2px;">A</span>	+\$0

Low Sheen Finishes (on Walnut)

*For walnut (W)*

<b>962</b>	toasted walnut, low sheen <span style="border: 1px solid black; padding: 0 2px;">A</span>	+\$0
<b>963</b>	charred walnut, low sheen <span style="border: 1px solid black; padding: 0 2px;">A</span>	+\$0
<b>964</b>	bronzed walnut, low sheen <span style="border: 1px solid black; padding: 0 2px;">A</span>	+\$0
<b>965</b>	smoked walnut, low sheen <span style="border: 1px solid black; padding: 0 2px;">A</span>	+\$0
<b>966</b>	coffee walnut, low sheen <span style="border: 1px solid black; padding: 0 2px;">A</span>	+\$0
<b>972</b>	sundance walnut <span style="border: 1px solid black; padding: 0 2px;">A</span>	+\$0
<b>98R</b>	recograin rosewood <span style="border: 1px solid black; padding: 0 2px;">A</span>	+\$0
<b>99R</b>	recograin rosewood <span style="border: 1px solid black; padding: 0 2px;">A</span>	+\$0
<b>EK</b>	medium red walnut <span style="border: 1px solid black; padding: 0 2px;">A</span>	+\$0
<b>G2U</b>	light brown walnut, low sheen <span style="border: 1px solid black; padding: 0 2px;">A</span>	+\$0
<b>G40</b>	dark brown walnut, low sheen <span style="border: 1px solid black; padding: 0 2px;">A</span>	+\$0

Matte Sheen Finishes (on Walnut)

*For walnut (W)*

<b>967</b>	smoked paldao, low sheen <span style="border: 1px solid black; padding: 0 2px;">A</span>	+\$0
<b>969</b>	warm paldao, low sheen <span style="border: 1px solid black; padding: 0 2px;">A</span>	+\$0

## Wood Base Sofa *continued*

---

### Matte Sheen Finishes (on Walnut)

#### *For walnut (W)*

<b>662</b>	toasted walnut, matte sheen	<input type="checkbox"/> A	+\$0
<b>663</b>	charred walnut, matte sheen	<input type="checkbox"/> A	+\$0
<b>664</b>	bronzed walnut, matte sheen	<input type="checkbox"/> A	+\$0
<b>665</b>	smoked walnut, matte sheen	<input type="checkbox"/> A	+\$0
<b>666</b>	coffee walnut, matte sheen	<input type="checkbox"/> A	+\$0
<b>667</b>	smoked paldao, quarter cut, matte sheen	<input type="checkbox"/> A	+\$0
<b>669</b>	warm paldao, quarter cut, matte sheen	<input type="checkbox"/> A	+\$0
<b>68R</b>	recograin rosewood	<input type="checkbox"/> A	+\$0
<b>69R</b>	recograin rosewood	<input type="checkbox"/> A	+\$0
<b>GOU</b>	natural walnut, flat cut, matte sheen	<input type="checkbox"/> A	+\$0

---

### Matte Sheen Finishes (on Walnut)

#### *For walnut (W)*

<b>66G</b>	recograin wenge	<input type="checkbox"/> A	+\$0
<b>69G</b>	recograin wenge	<input type="checkbox"/> A	+\$0

---

### Matte Sheen Finishes (on Walnut)

#### *For walnut (W)*

<b>96G</b>	wenge recograin, quarter cut, low sheen	<input type="checkbox"/> A	+\$0
<b>99G</b>	recograin wenge, quarter cut, low sheen	<input type="checkbox"/> A	+\$0

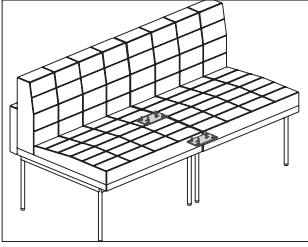
---

### Step 6. Fire Retardancy

<b>133</b>	cal-133 required	<input type="checkbox"/> A	+\$374
<b>NOCAL</b>	no cal-133 required	<input type="checkbox"/> A	+\$0

# Tuxedo Ganging Plate

STGP



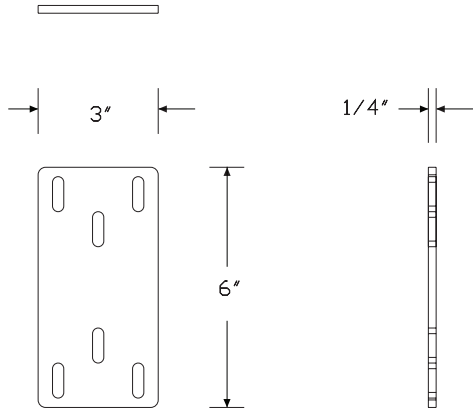
### Product Information

**Description**  
This ganging plate kit includes 2 metal plates and attachment hardware.

### Dimensions

### Specification Information

**Step 1.**  
**STGP** A \$73



HermanMiller Collection—Sofas

HermanMiller Collection Desks and Tables

**Desks**

**Tables**

**Occasional Tables**

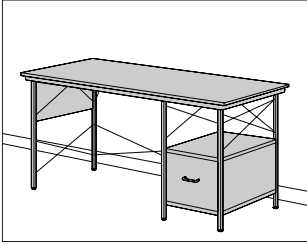






# Eames® Desk Unit

EDU10.  
EDU20.  
EDU21.

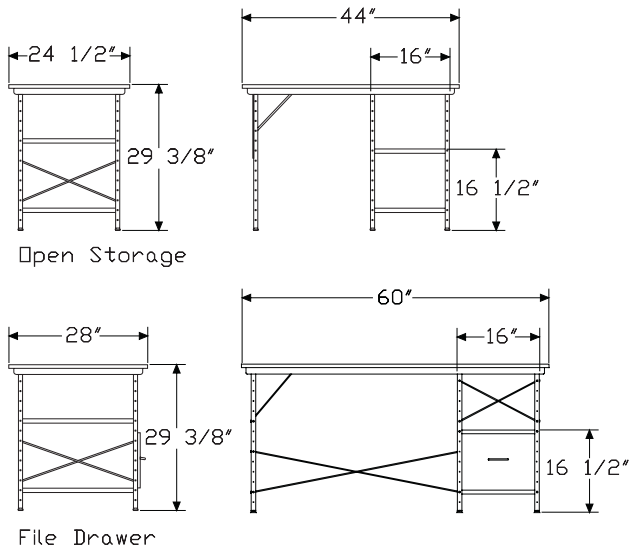


## Product Information

### Description

This desk unit has a powder-coated or zinc-coated steel frame, a birch top, painted side panels, with either open storage or a birch-front file drawer on the left or right side. It has adjustable glides.

### Dimensions



## Specification Information

### Step 1.

**EDU**

### Step 2. File Drawer

- 10. open storage
- 20. right-hand file drawer
- 21. left-hand file drawer

### Prices for Steps 1-2.

<b>EDU10.</b>	\$1970
<b>EDU20.</b>	\$2197
<b>EDU21.</b>	\$2197

### Step 3. Frame Finish

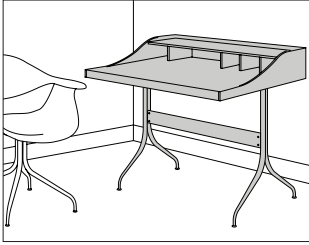
<b>ZC</b> zinc plated <input type="checkbox"/>	+\$0
<b>BU</b> black umber <input type="checkbox"/>	+\$95

### Step 4. Surface Finish

<b>NC</b> natural color <input type="checkbox"/>	+\$0
<b>W9</b> multi-color <input type="checkbox"/>	+\$0

# Nelson™ Swag Leg Desk

NS585



HermanMiller Collection—Desks

## Product Information

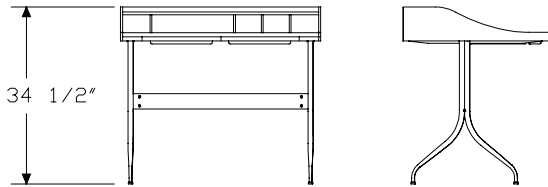
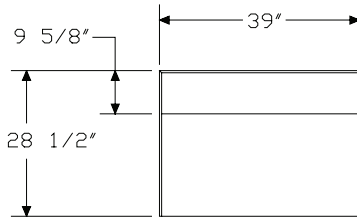
### Description

This 34½"-high desk has a white-laminate top surface, solid walnut side and back panels, 4 hardwood dividers, and 2 black-plastic pencil drawers. The base is chrome-finished steel tubing with a solid walnut stretcher and adjustable glides. The desk also has a grommet for cable management. Shipped knocked down.

### Notes

Hardwood divider colors include 2 orange, 1 spa blue, and 1 chartreuse.

### Dimensions



## Specification Information

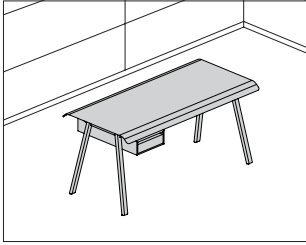
### Step 1.

NS5850 A

\$2921

# Distil Desk

TB100.

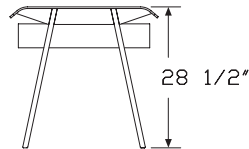
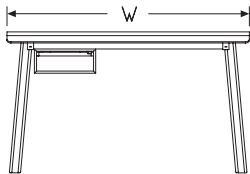
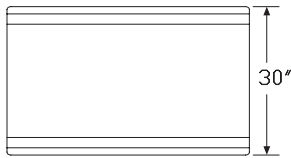


### Product Information

#### Description

This desk has a molded plywood top with veneer in a choice of finishes, solid wood legs, and a choice of storage boxes. Storage boxes have laminate interior surfaces, can be oriented vertically or horizontally, and mounted on the left or right side of the desk. Storage box includes a drawer with coordinating laminate interior and is stained to match the desk top. Ships knocked down.

#### Dimensions



### Specification Information

#### Step 1.

**TB100.**  A

#### Step 2. Size

**3048** 30" deep x 48" wide  A

**3060** 30" deep x 60" wide  A

#### Step 3. Storage Box Option

##### For 30" deep x 48" wide (3048)

**VSB** vertical, single box  A

**HSB** horizontal, single box  A

##### For 30" deep x 60" wide (3060)

**VSB** vertical, single box  A

**HSB** horizontal, single box  A

**VHB** 1 vertical and 1 horizontal box  A

**VVB** 2 vertical boxes  A

#### Prices for Steps 1-3.

	VSB	HSB	VHB	VVB
<b>TB100. 3048</b>	\$3573	3467	—	—
<b>3060</b>	\$3678	3573	4728	4833

#### Step 4. Top Finish

		3048	3060
<b>A2</b> white ash <input type="checkbox"/> A		+\$0	0
<b>EN</b> ebony <input type="checkbox"/> A		+\$0	0
<b>OU</b> walnut <input type="checkbox"/> A		+\$150	300

#### Step 5. Storage Box Interior Finish

##### For white ash (A2)

**91** white  A +\$0

##### For ebony (EN)

**BK** black  A +\$0

##### For walnut (OU)

**91** white  A +\$0

**BK** black  A +\$0

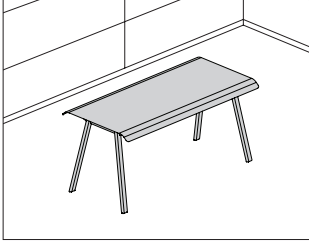
**ORN** orange  A +\$0

#### Step 6. Leg Material

**WWD** wood  A +\$0

# Distil Table

TB200.



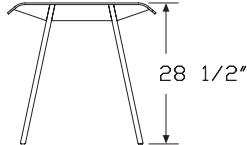
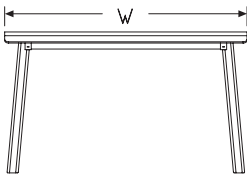
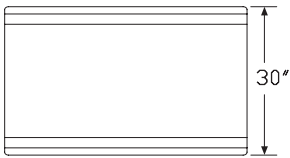
HermanMiller Collection - Desks

### Product Information

#### Description

This table has a molded plywood top with veneer in a choice of finishes and solid wood legs. Ships knocked down.

#### Dimensions



### Specification Information

#### Step 1.

**TB200.**  A

#### Step 2. Size

**3048** 30" deep x 48" wide  A

**3060** 30" deep x 60" wide  A

#### Prices for Steps 1-2.

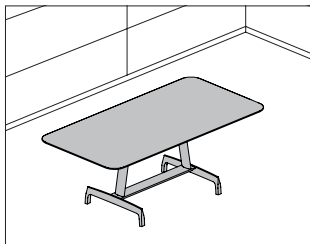
<b>TB200. 3048</b>	\$2417
<b>3060</b>	\$2522

#### Step 3. Top Finish

	<b>3048</b>	<b>3060</b>
<b>A2</b> white ash <input type="checkbox"/> A	+\$0	0
<b>EN</b> ebony <input type="checkbox"/> A	+\$0	0
<b>OU</b> walnut <input type="checkbox"/> A	+\$150	300

#### Step 4. Leg Material

<b>WWD</b> wood <input type="checkbox"/> A	+\$0
--	------



**Product Information**

**Description**

This rectangular table comes in 3 depths and 7 widths, and has painted Formcoat®, veneer, and stone surface options. Top is 3/4" thick and has a soft, tapered edge. Glides have 1 1/4" of leveling adjustment.

**Notes**

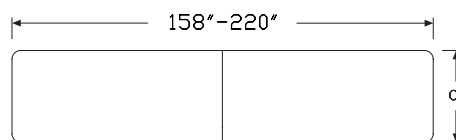
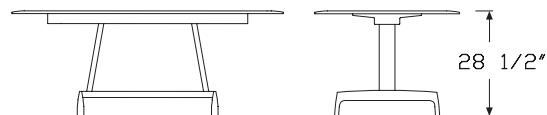
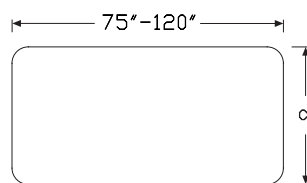
Tables 158" wide and wider will have 2-piece tops and a double base.

Grain direction for veneer tables less than 158" wide will align with width; for veneer tables 158" wide and wider grain direction will align with depth.

Santos palisander veneer is celebrated for its unique grain and color variations. Similar products ordered in multiples or dissimilar products ordered separately should be expected to have variation in both grain and color characteristics; no two products will look exactly alike.

Natural characteristics in stone cause variations in hues, veins, crystals, and distinctive marks. These variations and subtle changes seen as the stone ages are values associated with natural materials. No two tabletops are identically the same; variations in both color and veining are to be expected. Over time the stone may fade in color, staining of the surface may appear, and surface cracks-if not already visible at time of purchase-may appear. Small cracks do not affect the structure of the tabletop.

**Dimensions**



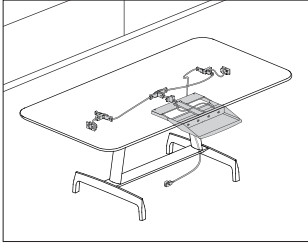
Specification Information				
Step 1.				
<b>DF</b>	<b>A</b>			
Step 2. Shape				
<b>100.</b>	rectangular	<b>A</b>		
Step 3. Depth				
<b>38</b>	38" deep	<b>A</b>		
<b>42</b>	42" deep	<b>A</b>		
<b>48</b>	48" deep	<b>A</b>		
Step 4. Width				
<i>For 38" deep (38)</i>				
<b>75</b>	75" wide	<b>A</b>		
<b>85</b>	85" wide	<b>A</b>		
<i>For 42" deep (42)</i>				
<b>85</b>	85" wide	<b>A</b>		
<b>95</b>	95" wide	<b>A</b>		
<i>For 48" deep (48)</i>				
<b>95</b>	95" wide	<b>A</b>		
<b>120</b>	120" wide	<b>A</b>		
<b>158</b>	158" wide	<b>A</b>		
<b>190</b>	190" wide	<b>A</b>		
<b>220</b>	220" wide	<b>A</b>		
Step 5. Surface Material				
<i>For 75" wide (75), 85" wide (85), or 95" wide (95)</i>				
<b>P</b>	paint Formcoat®	<b>A</b>		
<b>W</b>	veneer	<b>A</b>		
<b>S</b>	stone	<b>A</b>		
<i>For 120" wide (120), 158" wide (158), 190" wide (190), or 220" wide (220)</i>				
<b>P</b>	paint Formcoat®	<b>A</b>		
<b>W</b>	veneer	<b>A</b>		
Prices for Steps 1-5.				
		<b>P</b>	<b>W</b>	<b>S</b>
<b>DF100. 38 75</b>		\$4202	6303	15758
<b>85</b>		\$4307	6408	16284
<b>42 85</b>		\$4412	6513	16809
<b>95</b>		\$4727	6828	17860

<b>48 95</b>		\$4937	7038	19436			
<b>120</b>		\$5673	7774	—			
<b>158</b>		\$8089	12607	—			
<b>190</b>		\$9455	13657	—			
<b>220</b>		\$9980	14708	—			
Step 6. Understructure Finish							
<b>91</b>	white	<b>A</b>		+\$0			
<b>BK</b>	black	<b>A</b>		+\$0			
Step 7. Base Finish							
<i>For white (91)</i>							
<b>91</b>	white	<b>A</b>		+\$0			
<b>PA</b>	polished aluminum	<b>A</b>		+\$0			
<i>For black (BK)</i>							
<b>BK</b>	black	<b>A</b>		+\$0			
<b>PA</b>	polished aluminum	<b>A</b>		+\$0			
Step 8. Top Finish							
<i>For painted Formcoat® (P)</i>							
<b>8Q</b>	folkstone grey	<b>A</b>		+\$0			
<b>91</b>	white	<b>A</b>		+\$0			
<i>For 38" deep (38), 42" deep (42), or 48" deep (48) with 75" wide (75), 85" wide (85), 95" wide (95), or 120" wide (120), or 158" wide (158), or 190" wide (190), or 220" wide (220) with veneer (W) with white (91), or polished aluminum (PA)</i>							
<b>A2</b>	white ash	<b>A</b>		+\$0			
<i>For veneer (W) AND black (BK)</i>							
		<b>3875</b>	<b>3885</b>	<b>4285</b>	<b>4295</b>	<b>4895</b>	
<b>9N</b>	santos palisander	<b>A</b>	+\$1299	1499	1899	2299	2399
<b>A2</b>	white ash	<b>A</b>	+\$0	0	0	0	0
<b>EN</b>	ebony	<b>A</b>	+\$0	0	0	0	0
<b>OU</b>	walnut	<b>A</b>	+\$0	0	0	0	0
			<b>48120</b>	<b>48158</b>	<b>48190</b>	<b>48220</b>	
<b>9N</b>	santos palisander	<b>A</b>	+\$3699	4099	4599	6299	
<b>A2</b>	white ash	<b>A</b>	+\$0	0	0	0	
<b>EN</b>	ebony	<b>A</b>	+\$0	0	0	0	
<b>OU</b>	walnut	<b>A</b>	+\$0	0	0	0	

<i>For veneer (W) AND polished aluminum (PA)</i>						
		<b>3875</b>	<b>3885</b>	<b>4285</b>	<b>4295</b>	<b>4895</b>
<b>9N</b>	santos palisander <span style="border: 1px solid black; padding: 0 2px;">A</span>	+\$1299	1499	1899	2299	2399
<b>EN</b>	ebony <span style="border: 1px solid black; padding: 0 2px;">A</span>	+\$0	0	0	0	0
<b>OU</b>	walnut <span style="border: 1px solid black; padding: 0 2px;">A</span>	+\$0	0	0	0	0
		<b>48120</b>	<b>48158</b>	<b>48190</b>	<b>48220</b>	
<b>9N</b>	santos palisander <span style="border: 1px solid black; padding: 0 2px;">A</span>	+\$3699	4099	4599	6299	
<b>EN</b>	ebony <span style="border: 1px solid black; padding: 0 2px;">A</span>	+\$0	0	0	0	
<b>OU</b>	walnut <span style="border: 1px solid black; padding: 0 2px;">A</span>	+\$0	0	0	0	

<i>For 38" deep (38), 42" deep (42), or 48" deep (48) with 75" wide (75), or 85" wide (85), or 95" wide (95) with stone (S) with white (91), or polished aluminum (PA)</i>						
<b>5U</b>	georgia grey marble <span style="border: 1px solid black; padding: 0 2px;">A</span>					+\$1500

<i>For 38" deep (38), 42" deep (42), or 48" deep (48) with 75" wide (75), or 85" wide (85), or 95" wide (95) with stone (S) with black (BK), or polished aluminum (PA)</i>						
<b>5U</b>	georgia grey marble <span style="border: 1px solid black; padding: 0 2px;">A</span>					+\$1500
<b>HR</b>	wisconsin black marble <span style="border: 1px solid black; padding: 0 2px;">A</span>					+\$5000



**Product Information**

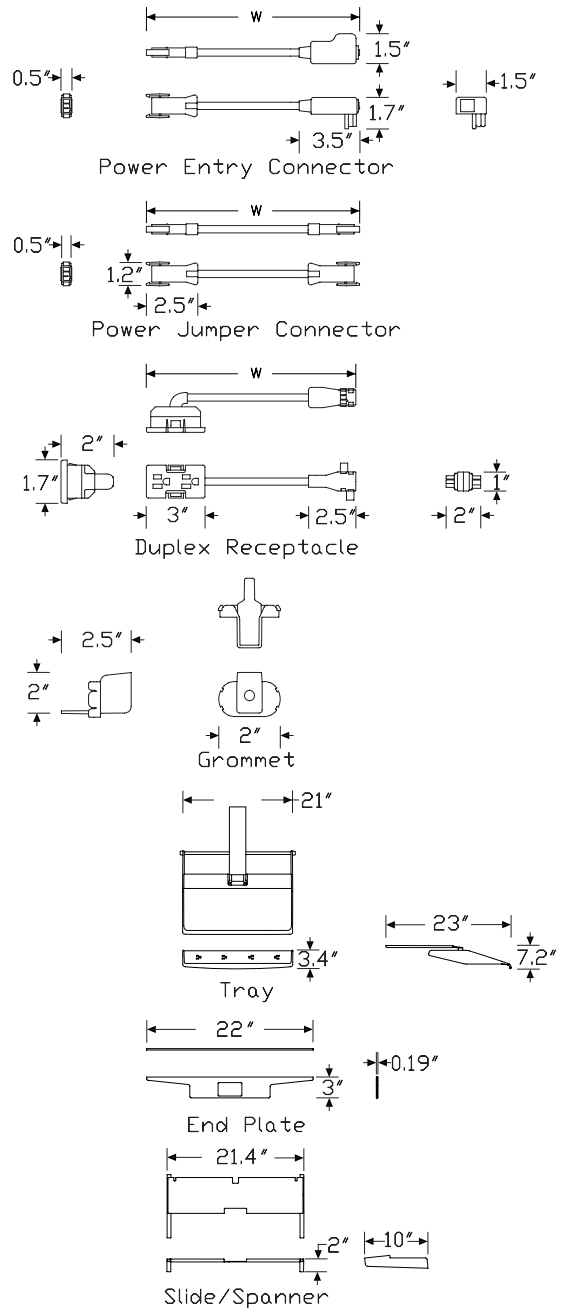
**Description**

This power kit connects to an AGL™ table. Each kit includes a predetermined number of trays (based on table size), a power entry connector, power jumpers and 2 duplex receptacles for each end of an AGL table. Each tray includes 2 combination receptacles that have a 15-amp simplex receptacle and dual USB ports. Power kit is UL listed for use with AGL table in the US and Canada.

**Notes**

- Each receptacle is rated at 120 VAC, 15 amp.
- One of the USB ports is a high-power port that can accommodate tablets and other high draw devices.
- Each power cord has a 15-amp resettable circuit breaker.
- For desking applications, specify 1 tray for 38" deep x 75" wide, 38" deep x 85" wide, and 42" deep x 85" wide tables.

**Dimensions**





# AGL™ Table Group Power Kit

continued

## Specification Information

Step 1.

**DF900.**  A

Step 2. Table Size & Kit Configuration

**3875A** 38" deep X 75" wide, 1 tray  A  
**3875B** 38" deep X 75" wide, 2 trays  A  
**3885A** 38" deep X 85" wide, 1 tray  A  
**3885B** 38" deep X 85" wide, 2 trays  A  
**4285A** 42" deep X 85" wide, 1 tray  A  
**4285B** 42" deep X 85" wide, 2 trays  A  
**4295B** 42" deep X 95" wide, 2 trays  A  
**4895B** 48" deep X 95" wide, 2 trays  A  
**48120C** 48" deep X 120" wide, 4 trays  A  
**48158C** 48" deep X 158" wide, 4 trays  A  
**48190D** 48" wide X 190" deep, 6 trays  A  
**48220D** 48" wide X 220" deep, 6 trays  A

Prices for Steps 1-2.

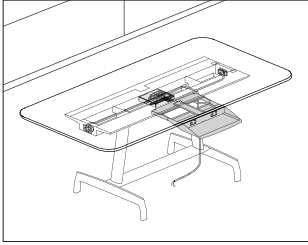
<b>DF900. 3875A</b>	\$945
<b>3875B</b>	\$1470
<b>3885A</b>	\$945
<b>3885B</b>	\$1470
<b>4285A</b>	\$945
<b>4285B</b>	\$1470
<b>4295B</b>	\$1470
<b>4895B</b>	\$1470
<b>48120C</b>	\$2731
<b>48158C</b>	\$2731
<b>48190D</b>	\$3782
<b>48220D</b>	\$3782

Step 3. Finish

<b>91</b> white <input type="checkbox"/> A	+\$0
<b>BK</b> black <input type="checkbox"/> A	+\$0

# AGL™ Table Group Power Kit, Chicago version

DF901.



## Product Information

### Description

This power kit is for use with an AGL™ table only and must be wired by a licensed electrician. It includes a predetermined number of trays (based on table size), junction boxes, junction box covers, and duplex receptacles for each end of an AGL table. Each tray in the kit includes 2 combination receptacles that have a 15-amp simplex receptacle and dual USB ports.

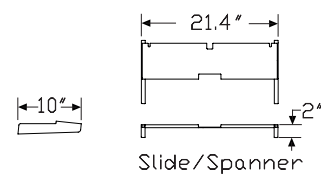
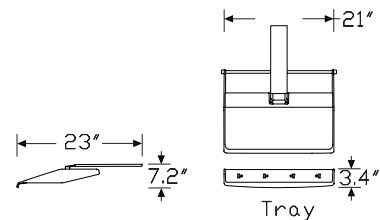
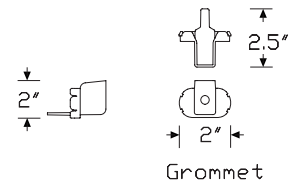
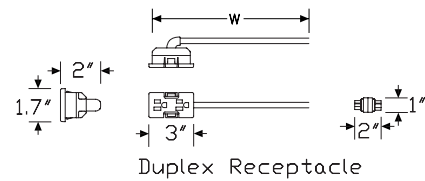
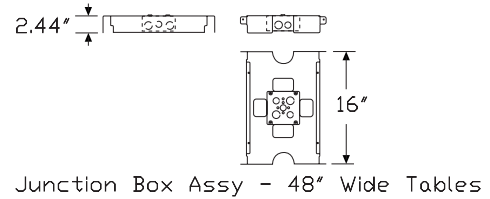
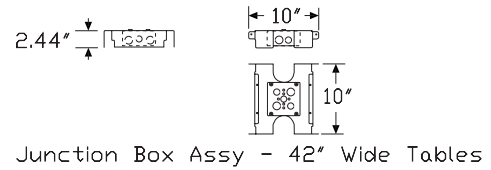
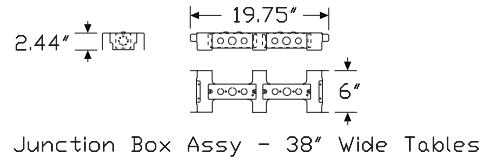
### Notes

Each receptacle is rated at 120 VAC, 15 amp.

For desking applications, specify 1 tray for 38" deep x 75" wide, 38" deep x 85" wide, and 42" deep x 85" wide AGL tables.

HermanMiller Collection—Tables

## Dimensions



AGL™ Table Group Power Kit,  
Chicago version *continued*

**Specification Information**

Step 1.

**DF901.**  A

Step 2. Table Size & Kit Configuration

- 3875A** 38" deep X 75" wide, 1 tray  A
- 3875B** 38" deep X 75" wide, 2 trays  A
- 3885A** 38" deep X 85" wide, 1 tray  A
- 3885B** 38" deep X 85" wide, 2 trays  A
- 4285A** 42" deep X 85" wide, 1 tray  A
- 4285B** 42" deep X 85" wide, 2 trays  A
- 4295B** 42" deep X 95" wide, 2 trays  A
- 4895B** 48" deep X 95" wide, 2 trays  A
- 48120C** 48" deep X 120" wide, 4 trays  A
- 48158C** 48" deep X 158" wide, 4 trays  A
- 48190D** 48" wide X 190" deep, 6 trays  A
- 48220D** 48" wide X 220" deep, 6 trays  A

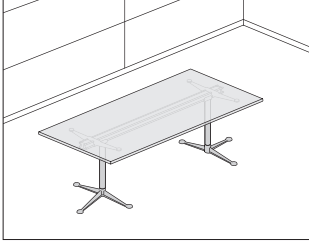
Prices for Steps 1-2.

<b>DF901. 3875A</b>	\$840
<b>3875B</b>	\$1470
<b>3885A</b>	\$840
<b>3885B</b>	\$1470
<b>4285A</b>	\$840
<b>4285B</b>	\$1470
<b>4295B</b>	\$1470
<b>4895B</b>	\$1470
<b>48120C</b>	\$2626
<b>48158C</b>	\$2626
<b>48190D</b>	\$3677
<b>48220D</b>	\$3677

Step 3. Finish

- 91** white  A + \$0
- BK** black  A + \$0

Burdick Group™ Rectangular Table BG321  
BG322  
BG331  
BG332



**Product Information**

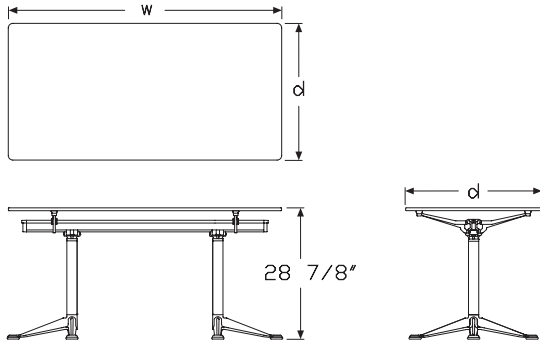
**Description**

This glass top table attaches to a beam and is available in 2 widths and 2 depths. Beam top surface, end caps, glides, and hook-and-loop fasteners are black. Attachment brackets are included.

**Notes**

Beam length is unique for 60"-wide and 72"-wide tables.  
For white (91) bracket finish, attachment screws will be bright zinc. For black (BK) and polished aluminum (CD) bracket finishes, attachment screws will be black zinc.  
Leg-to-beam connector is polished aluminum with no painted accents.

**Dimensions**



**Specification Information**

**Step 1.**

**BG3**  A

**Step 2. Depth/Width**

- 21** 30" deep x 60" wide  A
- 22** 30" deep x 72" wide  A
- 31** 36" deep x 60" wide  A
- 32** 36" deep x 72" wide  A

**Step 3. Surface Material**

**G** glass top  A

**Prices for Steps 1-3.**

<b>BG321 G</b>	\$4562
<b>BG322 G</b>	\$5943
<b>BG331 G</b>	\$4668
<b>BG332 G</b>	\$6049

**Step 4. Top/Edge Finish**

**JL** clear glass  A + \$0

**Step 5. Bracket Finish**

- 91** white  A + \$0
- BK** black  A + \$0
- CD** polished aluminum  A + \$0

**Step 6. Column Finish**

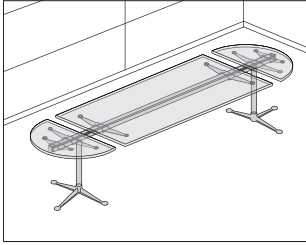
- 91** white  A + \$0
- BK** black  A + \$0

**Step 7. Base Finish**

**CD** polished aluminum  A + \$0

# Burdick Group™ Oval Table

BG335  
BG336  
BG435  
BG436



### Product Information

#### Description

This oval table has a rectangular glass center surface with glass or stone half-round surfaces on each end, attached to a beam. Table is available in 2 heights, 2 widths and 1 depth. Beam top surface, end caps, glides, and hook-and-loop fasteners are black. Attachment brackets are included.

#### Notes

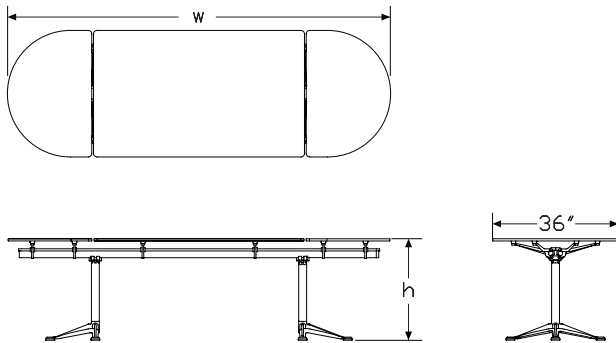
Beam length is unique for each table width.

Center section dimensions are 36" x 60" for the 108" table width, and 36" x 72" for the 120" table width.

For white (91) bracket finish, attachment screws will be bright zinc. For black (BK) and polished aluminum (CD) bracket finishes, attachment screws will be black zinc.

Leg-to-beam connector is polished aluminum with no painted accents.

#### Dimensions



### Specification Information

#### Step 1.

**BG**  A

#### Step 2. Height

**3** 28.5" high  A

**4** 36" high  A

#### Step 3. Depth/Width

**35** 36" deep x 108" wide  A

**36** 36" deep x 120" wide  A

#### Step 4. Middle Surface Material

**G** glass top  A

#### Step 5. Ends Surface Material

**G** glass top  A

**S** stone top  A

#### Prices for Steps 1-5.

	<b>G</b>	<b>S</b>
<b>BG335 G</b>	\$7322	14006
<b>BG336 G</b>	\$8701	15386
<b>BG435 G</b>	\$7322	14006
<b>BG436 G</b>	\$8701	15386

#### Step 6. Middle Surface Finish

**JL** clear glass  A +\$0

#### Step 7. Ends Surface Finish

##### For glass top (G)

**JL** clear glass  A +\$0

##### For stone top (S)

**5U** georgia grey marble  A +\$699

**HR** wisconsin black marble  A +\$1899

#### Step 8. Bracket Finish

**91** white  A +\$0

**BK** black  A +\$0

**CD** polished aluminum  A +\$0

Burdick Group™ Oval Table *continued*

HermanMiller Collection—Tables

---

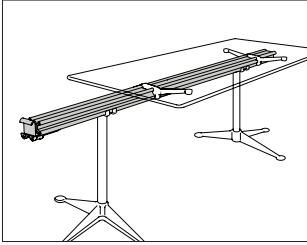
Step 9. Column Finish		
<b>91</b>	white <input type="checkbox"/> A	+\$0
<b>BK</b>	black <input type="checkbox"/> A	+\$0

---

Step 10. Base Finish		
<b>CD</b>	polished aluminum <input type="checkbox"/> A	+\$0

# Burdick Group™ Beam

BG105  
BG106



## Product Information

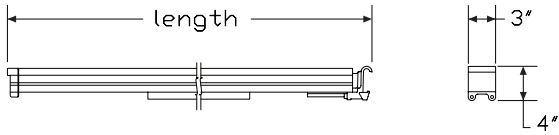
### Description

This structural beam supports Burdick Group™ products. The beam is polished aluminum and has a cable management channel on the underside. Beams can be connected to form right angles. Attachment hardware included.

### Notes

Order base assembly (BG107) separately.

### Dimensions



## Specification Information

### Step 1.

**BG10**  A

### Step 2. Type/Length

**6** connecting and 5' 6" long  A

**5** connecting and 7' long  A

### Prices for Steps 1-2.

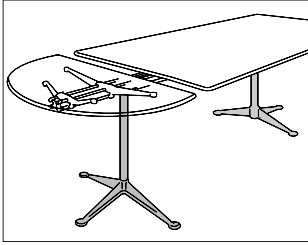
**BG106** \$1381

**BG105** \$1593

### Step 3. Top Finish

**BU** black umber  A +\$0

Burdick Group™ Base Assembly BG107



HermanMiller Collection—Tables

**Product Information**

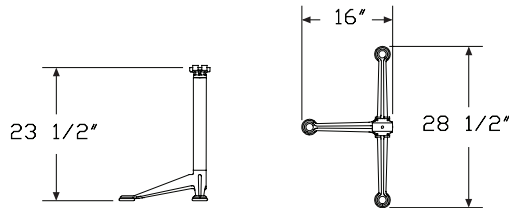
**Description**

This base structure supports a beam and has a vertical cable management package. The base is polished aluminum. Attachment hardware included. Shipped knocked down.

**Notes**

Order beam (BG105 or BG106) separately.

**Dimensions**



**Specification Information**

**Step 1.**

**BG10**  A

**Step 2. Configuration**

**7** single  A

**Prices for Steps 1-2.**

**BG107** \$797

**Step 3. Column Finish**

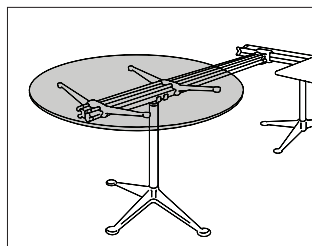
**91** white  A +\$0

**BK** black  A +\$0



Burdick Group™ Round Work Surface

BG122



**Product Information**

**Description**

This 48"-diameter glass work surface attaches to a beam. Attachment brackets included.

**Dimensions**



**Specification Information**

**Step 1.**

**BG1**  A

**Step 2. Material**

**22** glass  A

**Prices for Steps 1-2.**

**BG122** \$2041

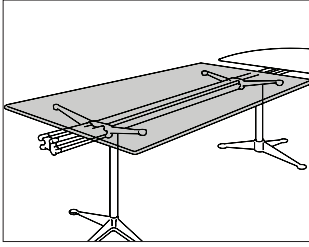
**Step 3. Bracket Finish**

**91** white  A +\$0

**BK** black  A +\$0

**CD** polished aluminum  A +\$0

Burdick Group™ Rectangular Work Surface BG120  
 Surface BG121

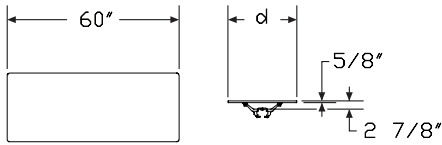


HermanMiller Collection—Tables

**Product Information**

**Description**  
 This 60"-wide glass work surface attaches to a beam. Attachment brackets included.

**Dimensions**



**Specification Information**

**Step 1.**

**BG1**  A

**Step 2. Material/Depth**

- 21** glass and 24" deep  A
- 20** glass and 36" deep  A

**Prices for Steps 1-2.**

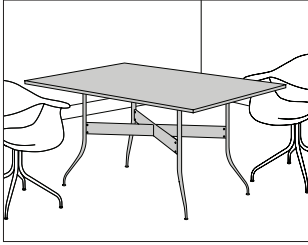
<b>BG121</b>	\$1539
<b>BG120</b>	\$2016

**Step 3. Bracket Finish**

- 91** white  A + \$0
- BK** black  A + \$0
- CD** polished aluminum  A + \$0

Nelson™ Swag Leg Dining Table  
Rectangular

NS585

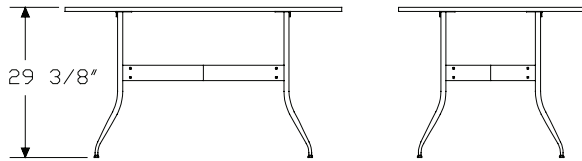
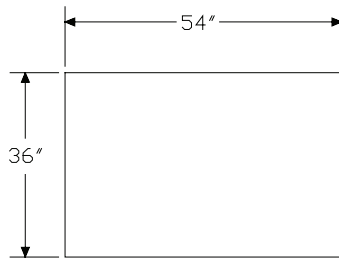


**Product Information**

**Description**

This 29<sup>3</sup>/<sub>8</sub>"-high rectangular dining table has a white laminate top or walnut veneer top with a walnut edge band, 4 chrome-finished steel-tube legs, 2 solid walnut stretchers, and adjustable glides. Shipped knocked down.

**Dimensions**



**Specification Information**

**Step 1.**

**NS5851**  A

**Step 2. Surface Material**

**L** laminate  A

**W** veneer  A

**Prices for Steps 1-2.**

<b>NS5851 L</b>	\$1920
<b>W</b>	\$2430

**Step 3. Surface Finish**

*For laminate (L)*

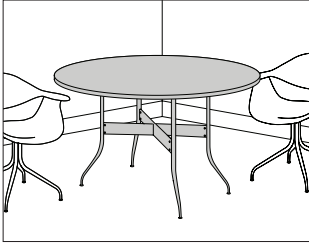
<b>91</b> white <input type="checkbox"/> A	+\$0
--	------

*For veneer (W)*

<b>OU</b> walnut <input type="checkbox"/> A	+\$0
---	------

Nelson™ Swag Leg Dining Table  
Round

NS585



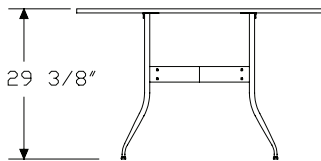
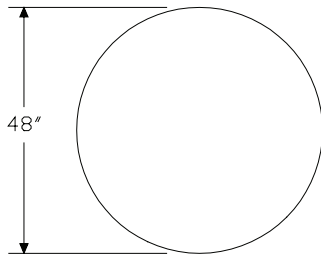
HermanMiller Collection—Tables

**Product Information**

**Description**

This 29<sup>3</sup>/<sub>8</sub>"-high round dining table has a white laminate top or walnut veneer top with a walnut edge band, 4 chrome-finished steel-tube legs, 2 solid walnut stretchers, and adjustable glides. Shipped knocked down.

**Dimensions**



**Specification Information**

**Step 1.**

**NS5852**  A

**Step 2. Surface Material**

**L** laminate  A

**W** veneer  A

**Prices for Steps 1-2.**

<b>NS5852 L</b>	\$1920
<b>W</b>	\$2302

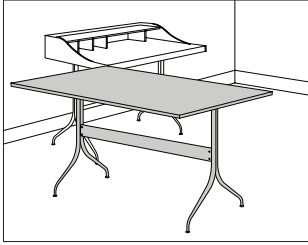
**Step 3. Surface Finish**

*For laminate (L)*

**91** white  A + \$0

*For veneer (W)*

**OU** walnut  A + \$0

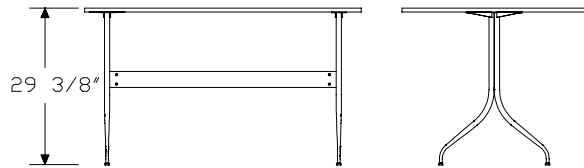
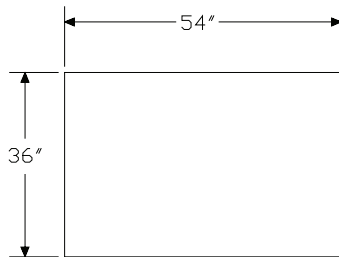


**Product Information**

**Description**

This 29<sup>3</sup>/<sub>8</sub>"-high rectangular work table has a white laminate top or walnut veneer top with a walnut edge band, 4 chrome-finished steel-tube legs, 2 solid walnut stretchers, and adjustable glides. Shipped knocked down.

**Dimensions**



**Specification Information**

Step 1.

**NS5854**  A

Step 2. Surface Material

**L** laminate  A

**W** veneer  A

Prices for Steps 1-2.

<b>NS5854 L</b>	\$1920
<b>W</b>	\$2430

Step 3. Surface Finish

*For laminate (L)*

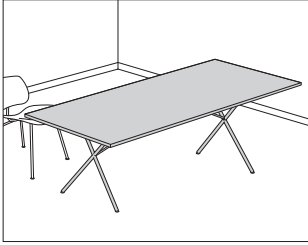
**91** white  A + \$0

*For veneer (W)*

**OU** walnut  A + \$0

# Nelson™ X-Leg Table

NX100.



HermanMiller Collection—Tables

## Product Information

### Description

This 28½"-high rectangular table has a laminate or veneer top with a veneer edge. Shipped knocked down.

Laminate top veneer edge colors are predetermined:

Top Color—Veneer Edge

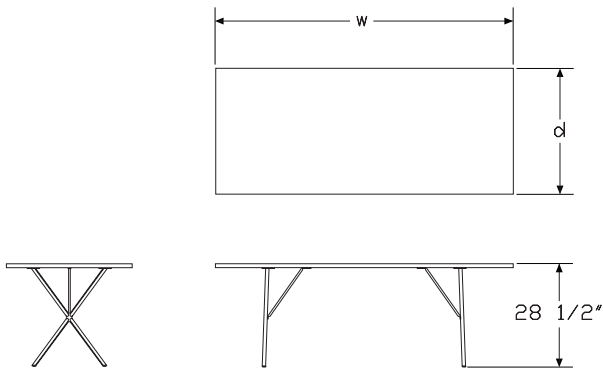
White (91)—Walnut (OU)

Studio White (98)—White Ash (A2)

### Notes

Santos palisander veneer is celebrated for its unique grain and color variations. Similar products ordered in multiples or dissimilar products ordered separately should be expected to have variation in both grain and color characteristics; no two products will look exactly alike.

### Dimensions



## Specification Information

### Step 1.

**NX100.** [A]

### Step 2. Depth

**30** 30" deep [A]

**36** 36" deep [A]

### Step 3. Width

**60** 60" wide [A]

**72** 72" wide [A]

**84** 84" wide [A]

### Step 4. Surface Material

**L** laminate with veneer edge [A]

**W** veneer with veneer edge [A]

### Prices for Steps 1-4.

		L	W
<b>NX100. 30 60</b>	<b>72</b>	\$1836	2040
	<b>84</b>	\$2040	2550
		\$2382	3060
<b>36 60</b>	<b>72</b>	\$2040	2550
	<b>84</b>	\$2382	3060
		\$2739	3519

### Step 5. Top Finish

#### Solid-Color Laminate

*For laminate with veneer edge (L)*

<b>91</b>	white [A]					+\$0
<b>98</b>	studio white [A]					+\$0

#### Wood Veneer

*For veneer with veneer edge (W)*

		3060	3072	3084	3660	3672
<b>OU</b>	walnut [A]	+\$0	0	0	0	0
<b>A2</b>	white ash [A]	+\$250	265	265	265	290
<b>9N</b>	santos palisander [A]	+\$950	1009	1009	1009	1104
						<b>3684</b>
<b>OU</b>	walnut [A]					+\$0
<b>A2</b>	white ash [A]					+\$305
<b>9N</b>	santos palisander [A]					+\$1161

# Nelson™ X-Leg Table *continued*

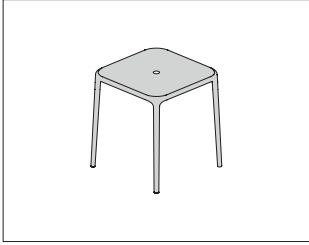
---

## Step 6. Leg Finish

<b>91</b>	white <input type="checkbox"/>	+\$0
<b>BK</b>	black <input type="checkbox"/>	+\$0
<b>47</b>	trivalent chrome <input type="checkbox"/>	+\$55

Air-Table

MGA70.



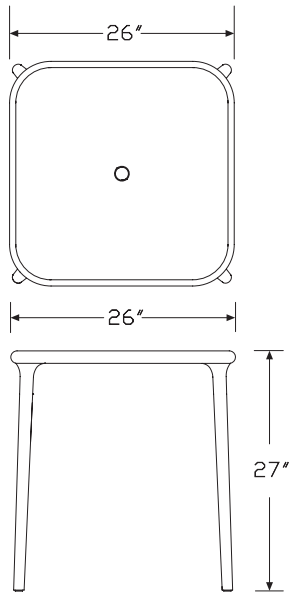
HermanMiller Collection-Tables

**Product Information**

**Description**  
 This stacking and KD table is made from polypropylene with glass fibre added. It is available in a triangle or square shape. Tables can stack up to 5 high.

**Notes**  
 This table is suitable for outdoor use.

**Dimensions**



**Specification Information**

**Step 1.**

**MGA70.**  A

**Step 2. Shape**

**S** square  A

**Prices for Steps 1-2.**

**MGA70.S** \$420

**Step 3. Finish**

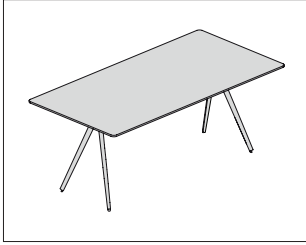
**YBB** beige  A +\$0

**YBP** white  A +\$0



# Baguette Table

MGG70.



### Product Information

#### Description

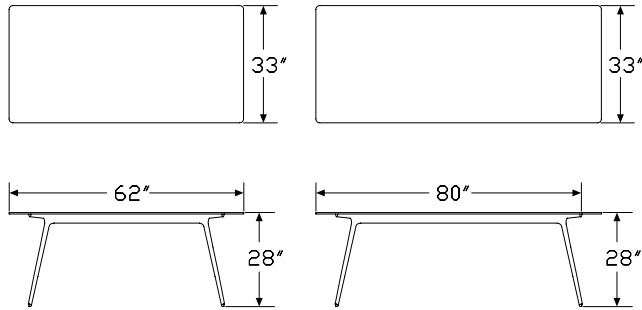
The legs of this table are cast aluminum, available polished or painted. The crosspiece is aluminum, also available polished or painted.

#### Notes

Painted (YCB, YCF) base with ardesia slate (YC) tables are suitable for outdoor use.

Other tops (WNT, YCB, YCF, YCC) and polished (YCD) base are NOT suitable for outdoor use.

#### Dimensions



### Specification Information

#### Step 1.

**MGG70.**

#### Step 2. Size

**3362** 33" x 62" rectangular

**3380** 33" x 80" rectangular

#### Prices for Steps 1-2.

<b>MGG70.3362</b>	\$2108
<b>3380</b>	\$2313

#### Step 3. Frame Finish

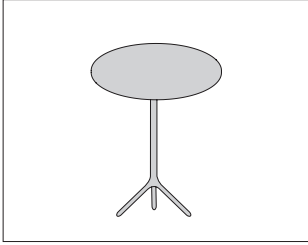
	<b>3362</b>	<b>3380</b>
<b>YCB</b> black <input type="checkbox"/>	+\$0	0
<b>YCF</b> white <input type="checkbox"/>	+\$0	0
<b>YCD</b> polished <input type="checkbox"/>	+\$350	351

#### Step 4. Top Finish

	<b>3362</b>	<b>3380</b>
<b>WNT</b> walnut <input type="checkbox"/>	+\$1682	2380
<b>YCB</b> black <input type="checkbox"/>	+\$0	0
<b>YCF</b> white <input type="checkbox"/>	+\$0	0
<b>YCC</b> extraclear glass <input type="checkbox"/>	+\$443	513
<b>YCJ</b> magis® ardesia slate <input type="checkbox"/>	+\$986	1022

# Central Table

MGG80.



HermanMiller Collection—Tables

### Product Information

#### Description

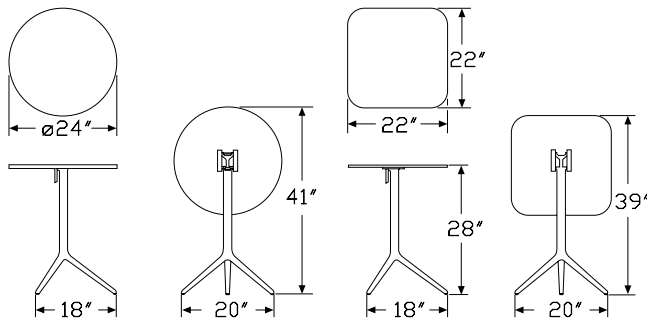
This table is available in a round or square shape. The frame is cast aluminum, available polished or painted.

#### Notes

For square table, polished aluminum frame is not available. Black or white finishes only.

Polished (YCD) option is NOT suitable for outdoor use.

#### Dimensions



### Specification Information

#### Step 1.

**MGG80.**  A

#### Step 2. Shape

**R** round  A

**S** square  A

#### Prices for Steps 1-2.

<b>MGG80.R</b>	\$1006
<b>S</b>	\$1006

#### Step 3. Frame/Top Finish

#### For round (R)

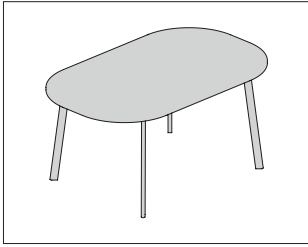
<b>YCB</b> black <input type="checkbox"/> A	+\$0
<b>YCF</b> white <input type="checkbox"/> A	+\$91
<b>YCD</b> polished <input type="checkbox"/> A	+\$493

#### For square (S)

<b>YCB</b> black <input type="checkbox"/> A	+\$0
<b>YCF</b> white <input type="checkbox"/> A	+\$91

# Deja-Vu Table

MGD70.



## Product Information

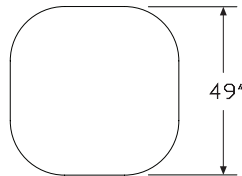
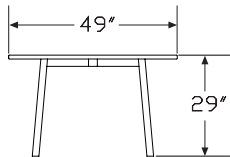
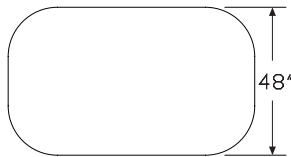
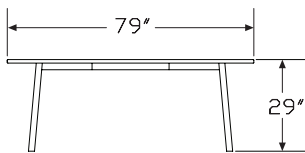
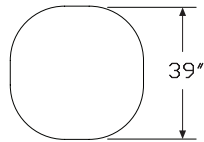
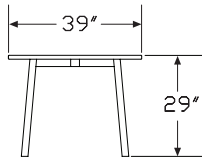
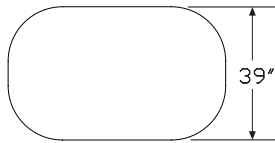
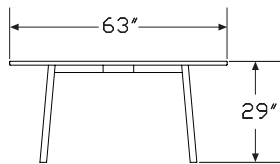
### Description

This table is available in a rounded square or oval shape. Top is high pressure laminate. White top is available with polished aluminum legs.

### Notes

Table thickness is  $\frac{7}{8}$ ".

### Dimensions



## Specification Information

### Step 1.

**MGD70.**  A

### Step 2. Shape

**R** rounded square  A

**V** oval  A

### Step 3. Size

#### For rounded square (R)

**3939** 39" x 39"  A

**4949** 49" x 49"  A

#### For oval (V)

**6336** 63" x 39"  A

**7948** 79" x 48"  A

### Prices for Steps 1-3.

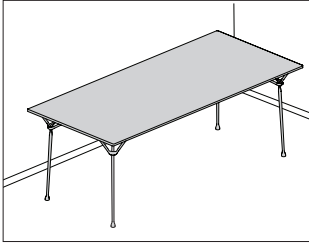
	3939	6336	4949	7948
<b>MGD70.R</b>	\$1675	—	2250	—
<b>V</b>	—	\$2145	—	2785

### Step 4. Finish

**YPL** white top with polished aluminum legs  A +\$500

# Officina Table

MGQ70.



## Product Information

### Description

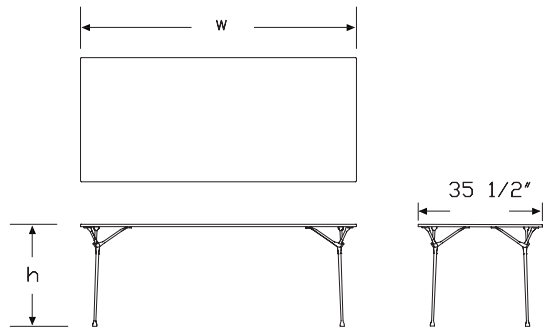
This table has a wrought iron frame that is galvanized or painted grey anthracite, and comes with a choice of tops. Grey anthracite top is 0.66" thick steel, electro-galvanized and painted. Walnut and ash tops are 1" thick. Glass top is tempered, 1/2" thick. Rectangular and round tables are 29" high, and square tables are 29 1/2" high.

### Notes

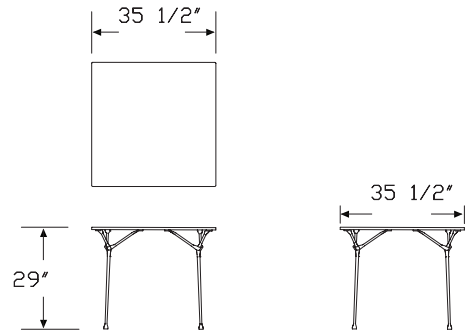
Dimensions are nominal.

HermanMiller Collection—Tables

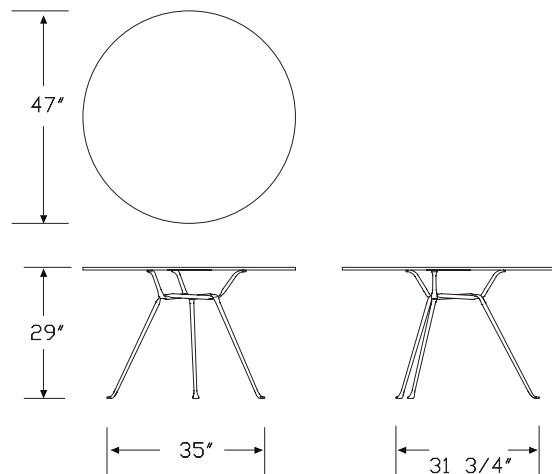
## Dimensions



Rectangular table



Square table



**Specification Information**

Step 1.

**MGQ70.** A

Step 2. Shape

**R** rectangular A

**S** square A

**D** round A

Step 3. Size

*For rectangular (R)*

**A** 114" x 37.5" A

**B** 94.5" x 37.5" A

**C** 79" x 35.5" A

*For square (S)*

**D** 35.5" x 35.5" A

*For round (D)*

**E** 47.25" diameter A

Prices for Steps 1-3.

	<b>A</b>	<b>D</b>	<b>E</b>	<b>B</b>	<b>C</b>
<b>MGQ70.</b>	<b>R</b> \$5790	—	—	—	4690
4030					
<b>S</b>	—	\$2820	—	—	—
<b>D</b>	—	—	\$2440	—	—

Step 4. Frame Finish

*For rectangular (R) or square (S)*

**GLV** galvanized A +\$0

**YCB** grey anthracite A +\$200

*For round (D)*

**YCB** grey anthracite A +\$200

Step 5. Top Finish

*For rectangular (R) or square (S) with 114" x 37.5" (A), or 35.5" x 35.5" (D), or 94.5" x 37.5" (B), or 79" x 35.5" (C) with galvanized (GLV)*

**YCB** grey anthracite A +\$0

*For rectangular (R) with 79" x 35.5" (C)*

**YCB** grey anthracite A +\$0

**WNT** walnut A +\$1400

**TTA** thermo-treated ash A +\$970

*For square (S) with 35.5" x 35.5" (D)*

**YCB** grey anthracite A +\$0

**WNT** walnut A +\$860

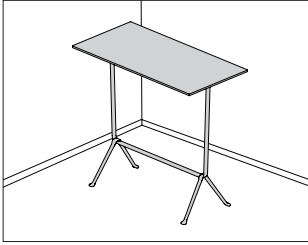
**TTA** thermo-treated ash A +\$650

*For round (D) with 47.25" diameter (E)*

**SGG** smoke grey glass A +\$400

Officina Bistro Table

MGQ70.



HermanMiller Collection—Tables

**Product Information**

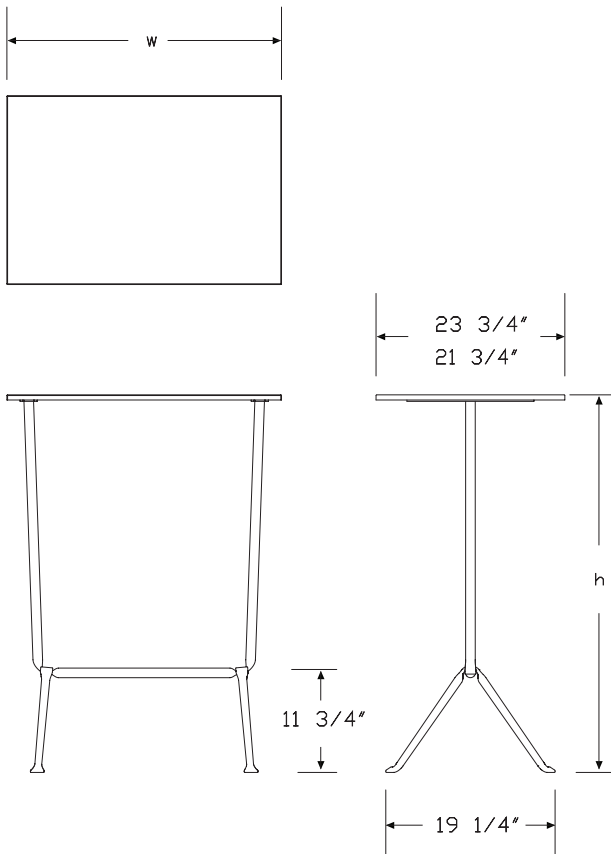
**Description**

This bistro table has a wrought iron frame that is galvanized or painted grey anthracite, and comes with a choice of tops. Grey anthracite top is 0.66" thick steel, electro-galvanized and painted. Walnut and ash tops are 1" thick. Available in 2 heights: 29½" high or 43½" high.

**Notes**

Dimensions are nominal.

**Dimensions**



**Specification Information**

**Step 1.**

**MGQ70.B**  A

**Step 2. Size**

- A** 31.5" L x 21.75" W x 29.5" H  A
- B** 31.5" L x 21.75" W x 43.5" H  A
- C** 47.25" L x 23.75" W x 29.5" H  A
- D** 47.25" L x 23.75" W x 43.5" H  A

**Prices for Steps 1-2.**

<b>MGQ70.B A</b>	\$1860
<b>B</b>	\$2085
<b>C</b>	\$2020
<b>D</b>	\$2200

**Step 3. Frame Finish**

- GLV** galvanized  A +\$0
- YCB** grey anthracite  A +\$150

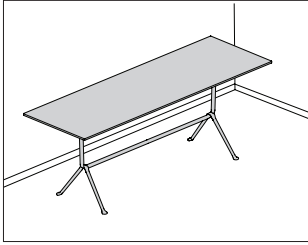
**Step 4. Top Finish**

*For galvanized (GLV)*

<b>YCB</b> grey anthracite <input type="checkbox"/> A				+\$0
	<b>A</b>	<b>B</b>	<b>C</b>	<b>D</b>
<b>YCB</b> grey anthracite <input type="checkbox"/> A	+\$0	0	0	0
<b>TTA</b> thermo-treated ash <input type="checkbox"/> A	+\$25	25	275	275
<b>WNT</b> walnut <input type="checkbox"/> A	+\$125	125	430	430

# Officina Fratino Table

MGQ70.



### Product Information

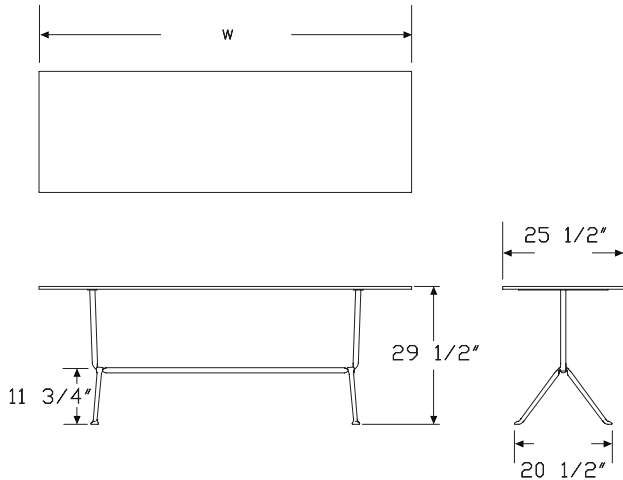
#### Description

This table has a wrought iron frame that is galvanized or painted grey anthracite, and comes with a choice of tops. Walnut and ash tops are 1" thick. Ardesia slate and Carrara marble tops are 3/4" thick. Table is 29 1/2" high.

#### Notes

Dimensions are nominal.

#### Dimensions



### Specification Information

#### Step 1.

**MGQ70.F** [A]

#### Step 2. Size

**A** 63"L x 25.5"W x 29.5" H [A]

**B** 78.75"L x 25.5"W x 29.5" H [A]

#### Prices for Steps 1-2.

<b>MGQ70.F A</b>	\$2770
<b>B</b>	\$3270

#### Step 3. Frame Finish

<b>GLV</b> galvanized [A]	+\$0
<b>YCB</b> grey anthracite [A]	+\$150

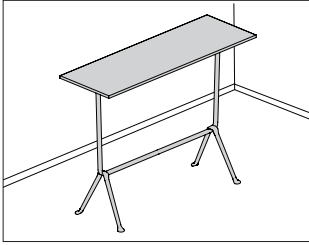
#### Step 4. Top Finish

#### For galvanized (GLV)

		A	B
<b>YCJ</b> ardesia slate [A]		+\$300	525
<b>CRR</b> Carrara marble [A]		+\$600	740
<b>TTA</b> thermo-treated ash [A]			+\$0
<b>YCJ</b> ardesia slate [A]			+\$0
<b>WNT</b> walnut [A]			+\$0
<b>CRR</b> Carrara marble [A]			+\$0

# Officina Console Table

MGQ70.



HermanMiller Collection—Tables

## Product Information

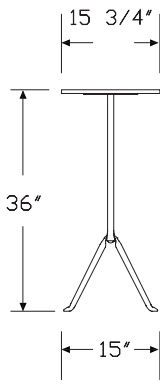
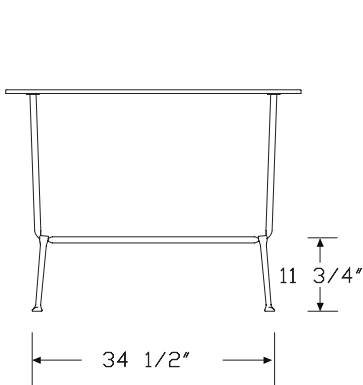
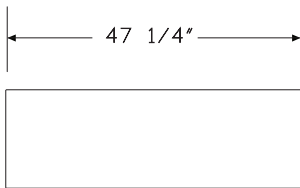
### Description

This table has a wrought iron frame painted grey anthracite, and comes with a choice of tops. Walnut tops are 1" thick. Ardesia slate tops are 3/4" thick. Table is 36" high.

### Notes

Dimensions are nominal.

### Dimensions



## Specification Information

### Step 1.

**MGQ70.C** A

### Step 2. Size

**A** 47.25"L x 15.75"W x 36" H A

### Prices for Steps 1-2.

**MGQ70.C A** \$2025

### Step 3. Frame Finish

**YCB** grey anthracite A +\$150

### Step 4. Top Finish

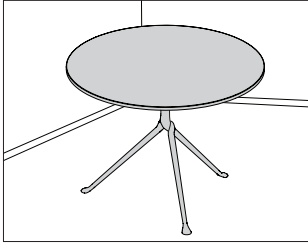
**YCJ** ardesia slate A +\$625

**WNT** walnut A +\$250



# Officina Pedestal Table

MGQ70.



### Product Information

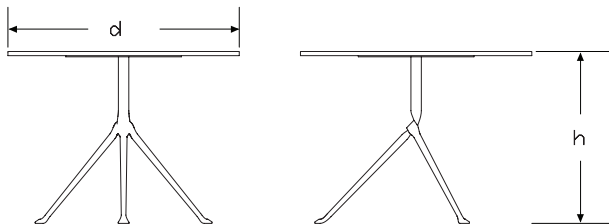
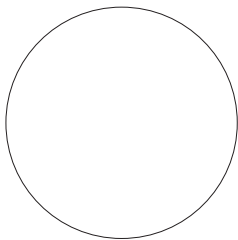
#### Description

This pedestal table has a wrought iron frame that is galvanized or painted grey anthracite, and comes with a choice of tops. Grey anthracite top is 0.66" thick steel, electro-galvanized and painted. Walnut and ash tops are 1" thick. Ardesia slate and Carrara marble tops are 3/4" thick. Natural beech plywood is 1/4" thick. Available in 2 heights: 29 1/2" high or 22" high.

#### Notes

Dimensions are nominal.

#### Dimensions



### Specification Information

#### Step 1.

**MGQ70.** A

#### Step 2. Base

**P** pedestal A

#### Step 3. Size

**A** 39.5" D x 29.5" H A

**B** 31.5" D x 29.5" H A

**C** 21.75" D x 29.5" H A

**D** 16.5" D x 22" H A

#### Prices for Steps 1-3.

	<b>A</b>	<b>B</b>	<b>C</b>	<b>D</b>
<b>MGQ70.</b>	<b>P</b> \$2475	2169	1230	1185

#### Step 4. Frame Finish

**GLV** galvanized A +\$0

**YCB** grey anthracite A +\$75

#### Step 5. Top Finish

##### For 39.5" D x 29.5" H (A) with galvanized (GLV)

**YCB** grey anthracite A +\$0

**YCJ** ardesia slate A +\$500

**CRR** Carrara marble A +\$1050

##### For 31.5" D x 29.5" H (B) with galvanized (GLV)

**YCB** grey anthracite A +\$0

**YCJ** ardesia slate A +\$400

**CRR** Carrara marble A +\$600

**YNC** natural beech A -\$400

##### For 21.75" D x 29.5" H (C) or 16.5" D x 22" H (D) with galvanized (GLV)

**YNC** natural beech A -\$80

##### For 39.5" D x 29.5" H (A)

**YCB** grey anthracite A +\$0

**TTA** thermo-treated ash A +\$0

**YCJ** ardesia slate A +\$0

**WNT** walnut A +\$0

**CRR** Carrara marble A +\$0

# Officina Pedestal Table *continued*

HermanMiller Collection—Tables

---

*For 31.5" D x 29.5" H (B) or 21.75" D x 29.5" H (C)*

<b>YCB</b>	grey anthracite <input type="checkbox"/> A	+\$0
<b>TTA</b>	thermo-treated ash <input type="checkbox"/> A	+\$0
<b>WNT</b>	walnut <input type="checkbox"/> A	+\$0
<b>YNC</b>	natural beech <input type="checkbox"/> A	+\$0

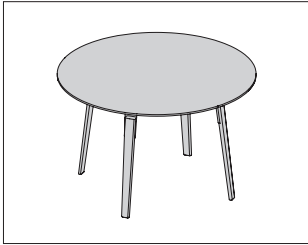
---

*For 16.5" D x 22" H (D)*

<b>YCB</b>	grey anthracite <input type="checkbox"/> A	+\$0
<b>TTA</b>	thermo-treated ash <input type="checkbox"/> A	+\$0
<b>WNT</b>	walnut <input type="checkbox"/> A	+\$0
<b>YNC</b>	natural beech <input type="checkbox"/> A	+\$0

# Steelwood Table

MGS70.



### Product Information

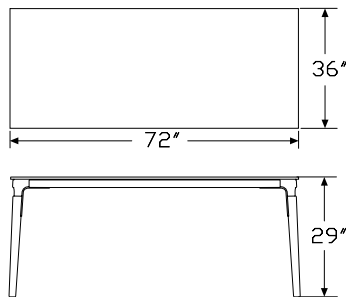
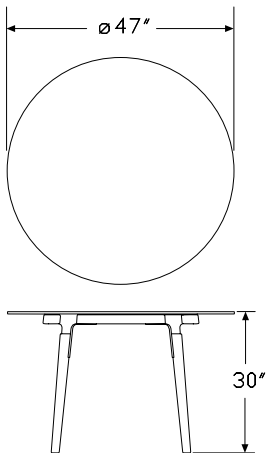
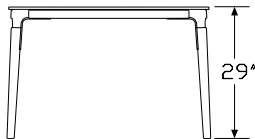
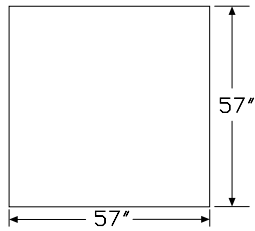
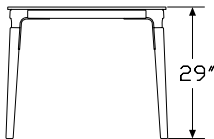
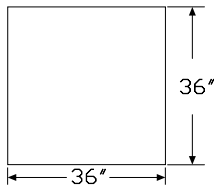
#### Description

This table comes in a square, round, or rectangular shape. The frame is solid beech, available in natural or painted. The top is high pressure laminate. The steel plate joints are painted in epoxy resin.

#### Notes

Table thickness is 7/8".

#### Dimensions



### Specification Information

#### Step 1.

**MGS70.**  A

#### Step 2. Shape

**S3636** square, 36" x 36"  A

**S5757** square, 57" x 57"  A

**R** round  A

**T** rectangular  A

#### Prices for Steps 1-2.

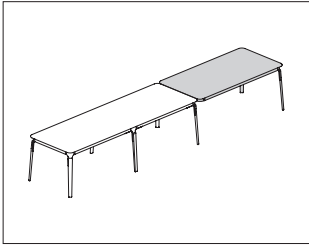
<b>MGS70.S3636</b>	\$1544
<b>S5757</b>	\$2394
<b>R</b>	\$1918
<b>T</b>	\$2147

#### Step 3. Frame/Top Finish

		S3636	S5757	R	T
<b>YMH</b>	black <input type="checkbox"/> A	+\$0	0	0	0
<b>YMJ</b>	white <input type="checkbox"/> A	+\$513	711	1225	1001
<b>YMG</b>	natural beech frame/white top <input type="checkbox"/> A	+\$513	711	1225	1001

# Steelwood Table System

MG572.



HermanMiller Collection—Tables

## Product Information

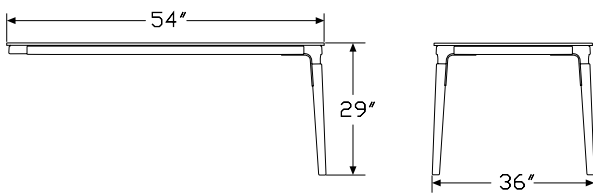
### Description

This table system extension is an intermediate module that attaches to the table system basic module. It comes with a solid beech frame, available in natural or painted. The top is high pressure laminate. Steel plate joints are painted in epoxy resin.

### Notes

Order Magis Steelwood table system (MG571.) basic module separately.

## Dimensions



## Specification Information

### Step 1.

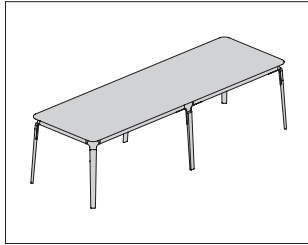
**MG572.** A \$1514

### Step 2. Frame/Top Finish

<b>YMH</b>	black	<span style="border: 1px solid black; padding: 0 2px;">A</span>	+\$0
<b>YMJ</b>	white	<span style="border: 1px solid black; padding: 0 2px;">A</span>	+\$767
<b>YMG</b>	natural beech frame/white top	<span style="border: 1px solid black; padding: 0 2px;">A</span>	+\$767

# Steelwood Extending Table

MGS71.



### Product Information

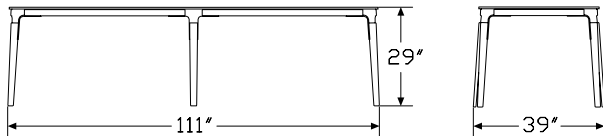
#### Description

This table system is a basic module with a solid beech frame, available in natural or painted. The top is high pressure laminate. Steel plate joints are painted in epoxy resin.

#### Notes

To extend the table system, order Magis Steelwood table system extension (MGS72.) separately.

### Dimensions



### Specification Information

#### Step 1.

**MGS71.**  A \$3202

#### Step 2. Frame/Top Finish

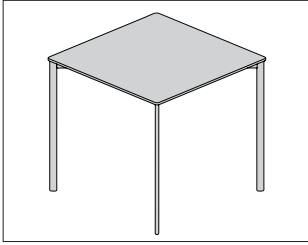
**YMH** black  A +\$0

**YMJ** white  A +\$1468

**YMG** natural beech frame/white top  A +\$1468

# Striped Tavolo

MGW70.



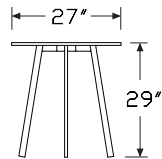
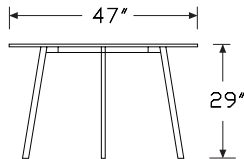
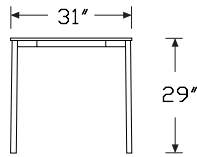
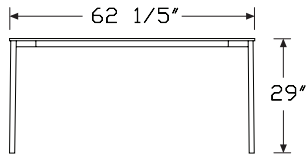
HermanMiller Collection-Tables

## Product Information

### Description

This table has a steel tube frame, cathodically treated and painted in polyester powder. Top is 1/2" thick and finished in high-pressure laminate. It comes in 5 styles. Suitable for outdoor use.

### Dimensions



## Specification Information

### Step 1.

**MGW70.**

### Step 2. Size

- LRE** large rectangular table
- SRE** large square table
- LRO** large round table
- SRO** small round table

### Prices for Steps 1-2.

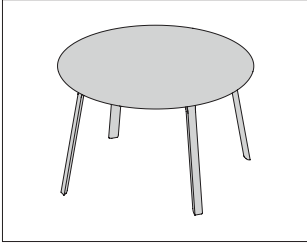
<b>MGW70.LRE</b>	\$1442
<b>SRE</b>	\$1051
<b>LRO</b>	\$1854
<b>SRO</b>	\$1030

### Step 3. Top/Base Finish

<b>YMJ</b> white <input type="checkbox"/>	+\$650
<b>YMH</b> black <input type="checkbox"/>	+\$0

Table First

MGF70.



**Product Information**

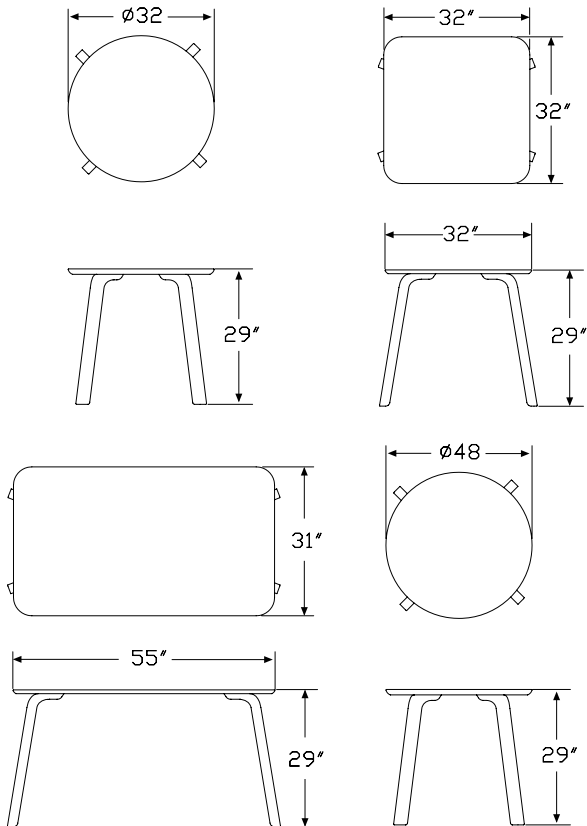
**Description**

The shape of this table is available in round, square, or rectangular. The table top is painted medium-density fiberboard. Legs are made from polypropylene with glass fibre added.

**Notes**

Top thickness is 1 1/8".

**Dimensions**



**Specification Information**

**Step 1.**

**MGF70.** [A]

**Step 2. Size/Shape**

- 3200** 32" round [A]
- 3232** 32" x 32" square [A]
- 3155** 31" x 55" rectangular [A]
- 4800** 48" round [A]

**Prices for Steps 1-2.**

<b>MGF70.3200</b>	\$827
<b>3232</b>	\$944
<b>3155</b>	\$1184
<b>4800</b>	\$1339

**Step 3. Leg Finish**

<b>YGC</b> black [A]	+\$0
<b>YGM</b> white [A]	+\$0

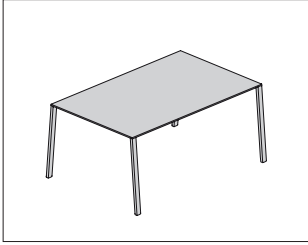
**Step 4. Top Finish**

*For black (YGC)*

<b>YGC</b> black [A]	+\$0
----------------------	------

*For white (YGM)*

<b>YGM</b> white [A]	+\$0
----------------------	------

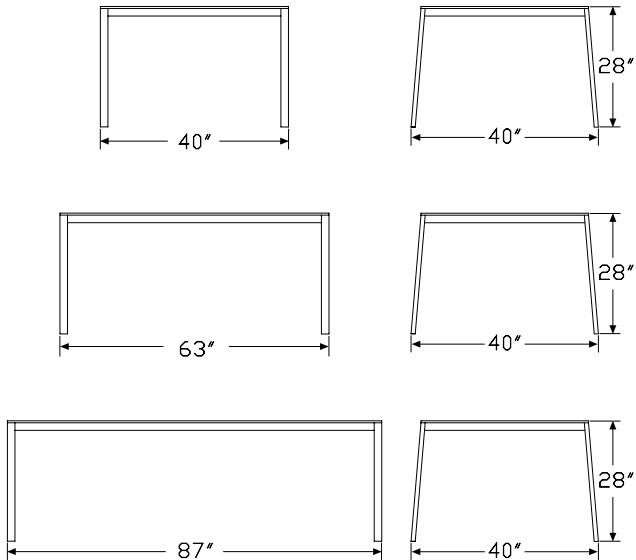


**Product Information**

**Description**  
 The frame of this table is an anodised aluminum tube. Joints are die-cast aluminum, available polished or painted. The top is high pressure laminate and comes in black or white. The base finish is available in polished aluminum and black.

**Notes**  
 Table thickness is 1/2".  
 Black (YHB) base with black (YHB) top combination is suitable for outdoor use.

**Dimensions**



**Specification Information**

Step 1.

**MGE70.** [A]

Step 2. Size

- 4040** 40" x 40" [A]
- 6340** 63" x 40" [A]
- 8740** 87" x 40" [A]

Prices for Steps 1-2.

<b>MGE70.4040</b>	\$1839
<b>6340</b>	\$2155
<b>8740</b>	\$2798

Step 3. Base Finish

- YHQ** polished aluminum [A] +\$0
- YHB** black [A] +\$0

Step 4. Top Finish

- For 40" x 40" (4040) with polished aluminum (YHQ)*
- YHB** black [A] +\$0
  - YHP** white [A] +\$397

Step 5. Top Finish

- For 63" x 40" (6340) with polished aluminum (YHQ)*
- YHB** black [A] +\$0
  - YHP** white [A] +\$554

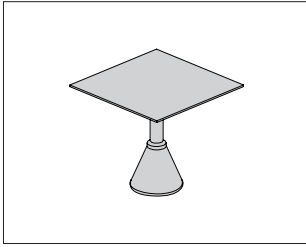
Step 6. Top Finish

- For 87" x 40" (8740) with polished aluminum (YHQ)*
- YHB** black [A] +\$0
  - YHP** white [A] +\$1413

Step 7. Top Finish

- For black (YHB)*
- YHB** black [A] +\$0





**Product Information**

**Description**

The shape of this table is available in round or square with a concrete base. The frame is an anodised aluminum tube. The top is high pressure laminate. Finishes for the top and base are available in polished aluminum and black.

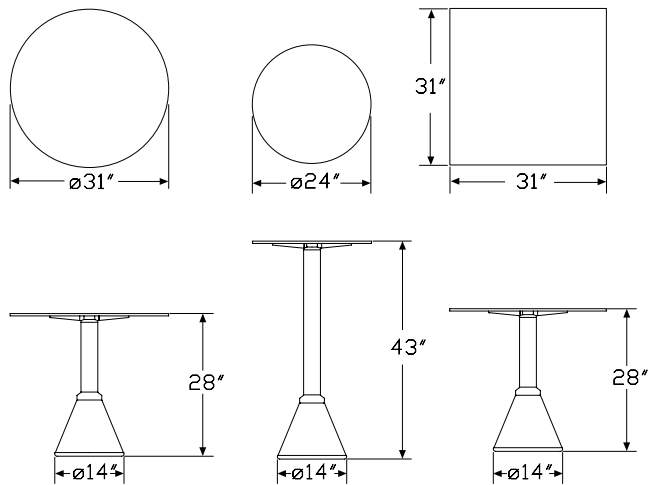
**Notes**

Table thickness is 1/2".

Table is suitable for outdoor use.

Polished aluminum (YHQ) base finish is NOT suitable for outdoor use.

**Dimensions**



**Specification Information**

**Step 1.**

**MGE80.** [A]

**Step 2. Shape and Height**

**R28** round 28" high [A]

**R43** round 43" high [A]

**S28** square 28" high [A]

**Prices for Steps 1-2.**

<b>MGE80.R28</b>	\$1240
<b>R43</b>	\$1130
<b>S28</b>	\$1191

**Step 3. Base Finish**

**YHQ** polished aluminum [A] +\$0

**YHB** black [A] +\$0

**Step 4. Top Finish**

*For polished aluminum (YHQ)*

		<b>R28</b>	<b>R43</b>	<b>S28</b>
<b>YHV</b>	white with black edge [A]	+\$0	0	0
<b>YHP</b>	white [A]	+\$199	117	223

*For black (YHB)*

		<b>R28</b>	<b>R43</b>	<b>S28</b>
<b>YHB</b>	black [A]	+\$0	11	0

# Tavolo XZ3 Table

MGT70.



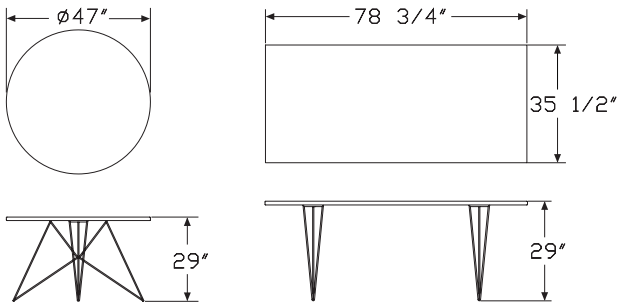
HermanMiller Collection—Tables

## Product Information

### Description

This table is available in a round or rectangular shape with top in Carrara marble or 1 1/8" thick painted MDF. The steel rod leg finish comes in chrome, painted white or black, or coated gold or copper.

### Dimensions



## Specification Information

### Step 1.

**MGT70.**

### Step 2. Shape

**R** round

**T** rectangular

### Prices for Steps 1-2.

<b>MGT70.R</b>	\$1083
<b>T</b>	\$1111

### Step 3. Top Finish

#### For round (R)

<b>WNT</b> walnut <input type="checkbox"/>	+\$1847
<b>YPC</b> white <input type="checkbox"/>	+\$0
<b>YPD</b> black <input type="checkbox"/>	+\$0
<b>CRR</b> Carrara marble <input type="checkbox"/>	+\$2837

#### For rectangular (T)

<b>YPC</b> white <input type="checkbox"/>	+\$0
<b>YPD</b> black <input type="checkbox"/>	+\$0

### Step 4. Leg Finish

#### For rectangular (T)

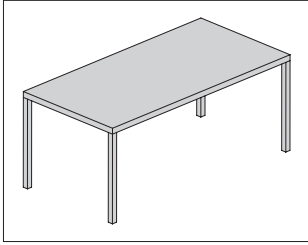
<b>YPB</b> chrome <input type="checkbox"/>	+\$0
<b>YPC</b> white <input type="checkbox"/>	+\$0
<b>YPD</b> black <input type="checkbox"/>	+\$0

#### For round (R)

<b>YPB</b> chrome <input type="checkbox"/>	+\$0
<b>YPC</b> white <input type="checkbox"/>	+\$0
<b>YPD</b> black <input type="checkbox"/>	+\$0
<b>YDJ</b> gold <input type="checkbox"/>	+\$150
<b>YDH</b> copper <input type="checkbox"/>	+\$150

Primo Table

MC14T.

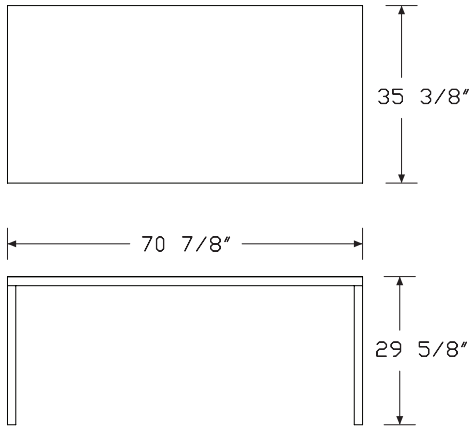


**Product Information**

Description

This table has a solid wood frame with a choice of veneer or FENIX NTM® top.

Dimensions



**Specification Information**

Step 1.

**MC14T.** [A]

Step 2. Size

**3571** 35"W x 71"L [A]

Prices for Steps 1-2.

**MC14T. 3571** \$4040

Step 3. Frame/Top Finish

<b>YCK</b>	beech frame, beech veneer top [A]	+\$0
<b>YOO</b>	oak frame, oak veneer top [A]	+\$400
<b>YCS</b>	beech frame, FENIX NTM® top [A]	+\$800
<b>YOF</b>	oak frame, FENIX NTM® top [A]	+\$1060

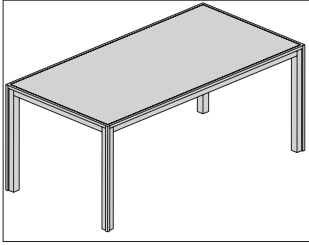
Step 4. Fenix NTM® Top Finish

*For beech frame, FENIX NTM® top (YCS) or oak frame, FENIX NTM® top (YOF)*

<b>YBA</b>	castoro ottawa [A]	+\$0
<b>YBE</b>	grigio Londra [A]	+\$0
<b>YCA</b>	grigio bromo [A]	+\$0
<b>YCE</b>	nero ingo [A]	+\$0

# Doubleframe Table

DBL.



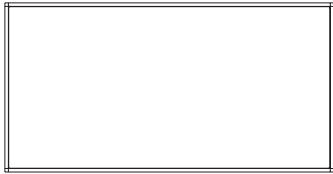
HermanMiller Collection—Tables

## Product Information

### Description

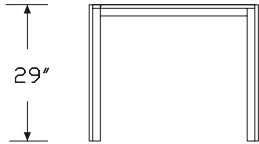
This table has a solid wood frame in oak or walnut and a 4-leg base. Top is available in matching wood or Carrara honeycomb marble. All tables are 29" high and 36" wide with length options of 70" or 92". Shipped knocked down.

### Dimensions



← 36", 70", 92" →

← 36" →



29"

## Specification Information

### Step 1.

**DBL.**

### Step 2. Size

**3670D** 36" wide x 70" long

**3692D** 36" wide x 92" long

### Step 3. Frame Finish

**LTO** light oak

**OU** walnut

### Prices for Steps 1-3.

		LTO	OU
<b>DBL.</b>	<b>3670D</b>	\$3563	3741
	<b>3692D</b>	\$3959	4137

### Step 4. Surface Finish

#### For walnut (OU)

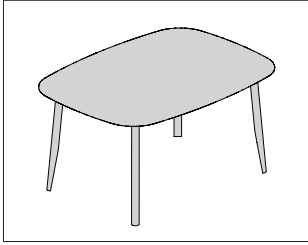
		3670D	3692D
<b>CHM</b>	carrara honeycomb marble <input type="checkbox"/>	+\$1940	2605
<b>OU</b>	walnut <input type="checkbox"/>	+\$0	0

#### For light oak (LTO)

		3670D	3692D
<b>CHM</b>	carrara honeycomb marble <input type="checkbox"/>	+\$1940	2605
<b>LTO</b>	light oak <input type="checkbox"/>	+\$0	0

Branca Table

MGR70.

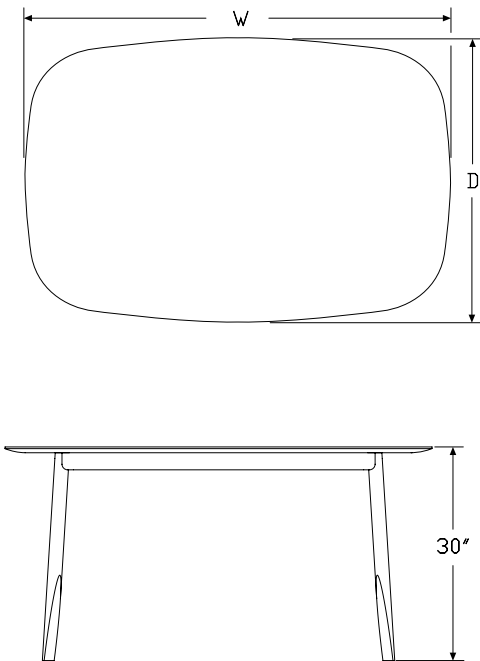


**Product Information**

Description

The top of this table is available in natural ash wood, or medium-density fiberboard with an anti scratch white finish. The base is made of solid ash.

Dimensions



**Specification Information**

Step 1.

**MGR70.** [A]

Step 2. Size

**4359** 43" x 59" [A]

**4371** 43" x 71" [A]

Prices for Steps 1-2.

<b>MGR70.4359</b>	\$3295
<b>4371</b>	\$3550

Step 3. Frame Finish

**YRF** natural wax ash [A] +\$0

Step 4. Top Finish

*For 43" x 59" (4359) with natural wax ash (YRF)*

**YRJ** mdf white lacquered [A] +\$0

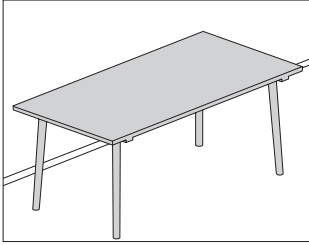
**YQC** natural ash [A] +\$300

*For 43" x 71" (4371) with natural wax ash (YRF)*

**YRJ** mdf white lacquered [A] +\$0

Facile Table

MC13T.



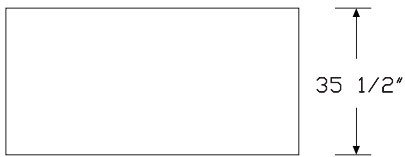
HermanMiller Collection—Tables

**Product Information**

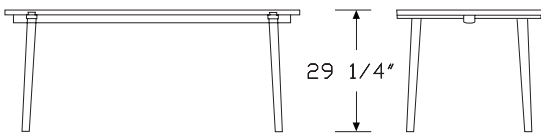
**Description**

This table has a solid ash frame, available with a natural or black anilin finish.

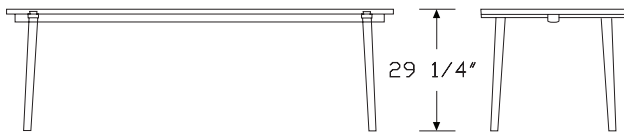
**Dimensions**



70 7/8"



94 1/2"



**Specification Information**

**Step 1.**

**MC13T.** [A]

**Step 2. Size**

**71** 71" table [A]

**95** 95" table [A]

**Prices for Steps 1-2.**

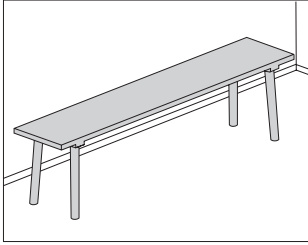
<b>MC13T. 71</b>	\$4600
<b>95</b>	\$5460

**Step 3. Finish**

	<b>71</b>	<b>95</b>
<b>YQC</b> natural ash [A]	+\$0	0
<b>YQB</b> black anilin ash [A]	+\$530	850

# Facile Bench

MC13B.

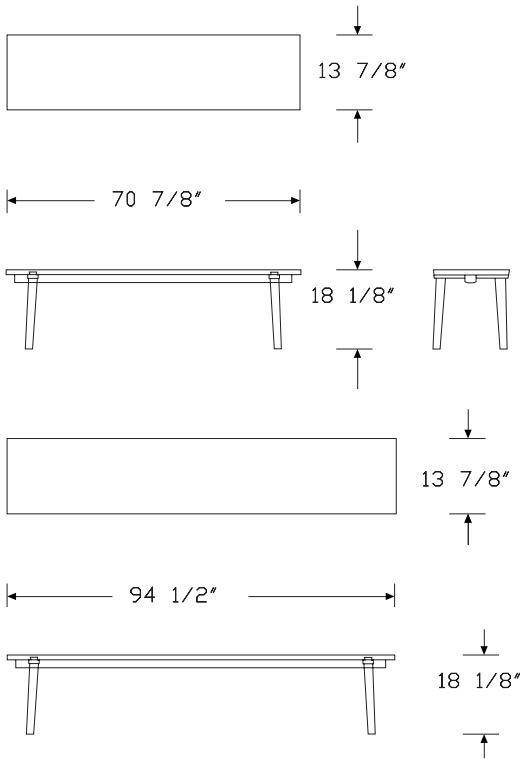


### Product Information

#### Description

This table has a solid ash frame, available with a natural or black anilin finish.

#### Dimensions



### Specification Information

#### Step 1.

**MC13B.** A

#### Step 2. Size

**71** 71" bench A

**95** 95" bench A

#### Prices for Steps 1-2.

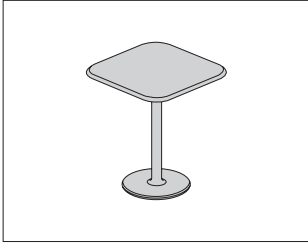
<b>MC13B.71</b>	\$2080
<b>95</b>	\$2500

#### Step 3. Finish

	<b>71</b>	<b>95</b>
<b>YQC</b> natural ash <span style="border: 1px solid black; padding: 0 2px;">A</span>	+\$0	0
<b>YQB</b> black anilin ash <span style="border: 1px solid black; padding: 0 2px;">A</span>	+\$160	210

Solo Table

MGZ70.

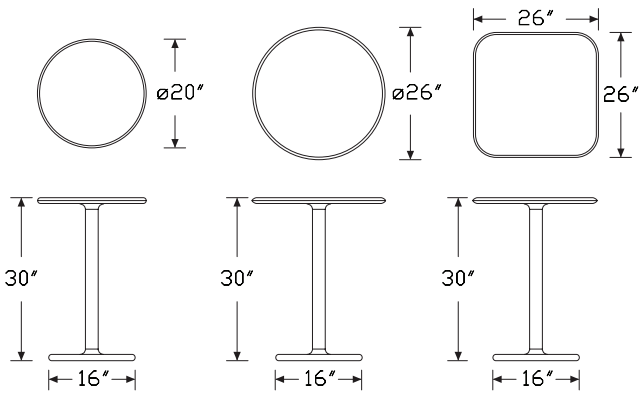


HermanMiller Collection—Tables

**Product Information**

**Description**  
 This table is made of natural ash or oak. Available in 3 sizes with several color options in ash wood.

**Dimensions**



**Specification Information**

**Step 1.**

**MGZ70.** [A]

**Step 2. Size**

- 2030** 20" diameter x 30" high [A]
- 2630** 26" diameter x 30" high [A]
- 2844** 26" wide x 26" long x 30" high [A]

**Prices for Steps 1-2.**

<b>MGZ70.2030</b>	\$1520
<b>2630</b>	\$1623
<b>2844</b>	\$1623

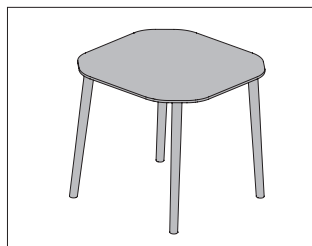
**Step 3. Finish**

<b>ZQ1</b>	dark red anilin ash [A]	+\$0
<b>ZQ2</b>	natural ash [A]	+\$0
<b>ZQ3</b>	anilin ash blue/black [A]	+\$0
<b>ZQ4</b>	anilin ash white [A]	+\$0
<b>ZQ5</b>	anilin ash neon blue [A]	+\$0
<b>ZQ6</b>	anilin ash turquoise [A]	+\$0
<b>ZQ7</b>	natural oak waxed [A]	+\$425



# Tronco Table

MGK70.

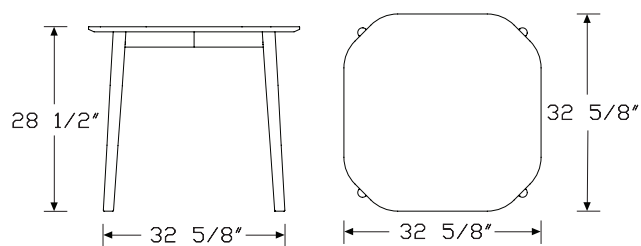


### Product Information

#### Description

This wood table has a top constructed of solid wood strips and chamfered at the edges to mimic the silhouette of the Tronco chair. Table is available in a variety of finishes.

#### Dimensions



### Specification Information

#### Step 1.

**MGK70.**  A \$1479

#### Step 2. Frame

**YSA** ash  A +\$0

#### Step 3. Finish

**CNS** chestnut stained  A +\$0

**WNS** walnut stained  A +\$0

**YBC** black  A +\$0

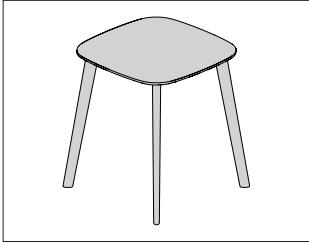
**YBP** white  A +\$0

**YNL** natural  A +\$0

**YRL** red  A +\$0

# Osso Table

MGJ70.



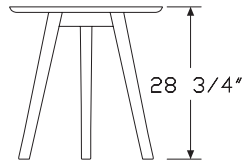
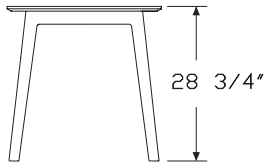
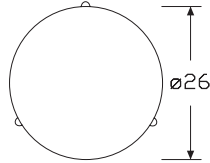
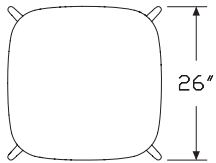
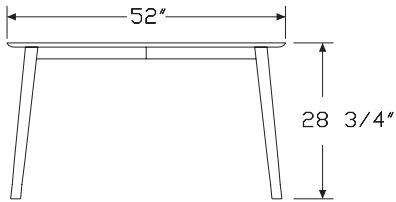
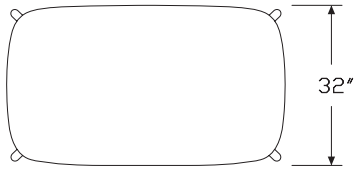
HermanMiller Collection—Tables

### Product Information

#### Description

This is made of natural ash or oak. Available with several color options in ash wood.

#### Dimensions



### Specification Information

#### Step 1.

**MGJ70.**  A

#### Step 2. Size

**2600** 26" diameter  A

**2626** 26" wide x 26" long  A

**3252** 32" wide x 52" long  A

#### Prices for Steps 1-2.

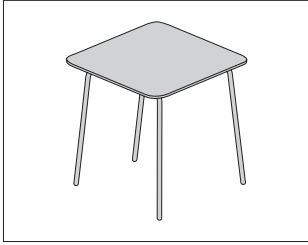
<b>MGJ70. 2600</b>	\$1329
<b>2626</b>	\$1638
<b>3252</b>	\$2339

#### Step 3. Finish

<b>YSB</b> black wax ash <input type="checkbox"/> A	+\$0
<b>YSC</b> blue wax ash <input type="checkbox"/> A	+\$0
<b>YSD</b> green wax ash <input type="checkbox"/> A	+\$0
<b>YSF</b> dark grey wax ash <input type="checkbox"/> A	+\$0
<b>YSG</b> natural wax ash <input type="checkbox"/> A	+\$0
<b>YSH</b> pink wax ash <input type="checkbox"/> A	+\$0
<b>YSJ</b> white wax ash <input type="checkbox"/> A	+\$0
<b>YSL</b> natural wax oak <input type="checkbox"/> A	+\$390

Forcina Table

MC16T.



**Product Information**

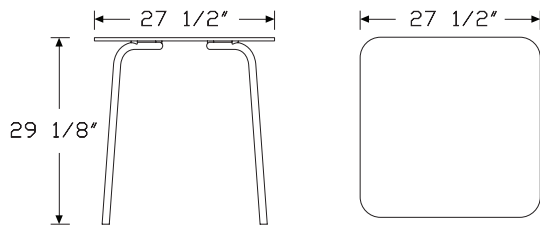
Description

This table has an oak or ash top. Ships assembled.

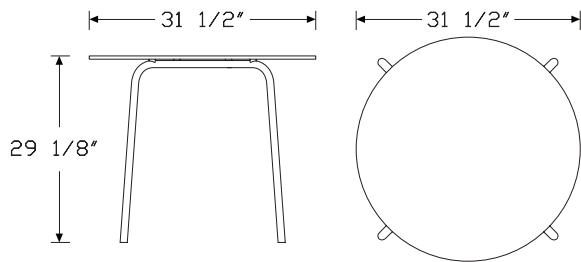
Notes

Table cannot stack.

Dimensions



Square Table



Round Table

**Specification Information**

Step 1.

**MC16T.** [A]

Step 2. Size

<b>28S</b>	28" square [A]	+\$1875
<b>32R</b>	32" round [A]	+\$1875

Step 3. Frame Finish

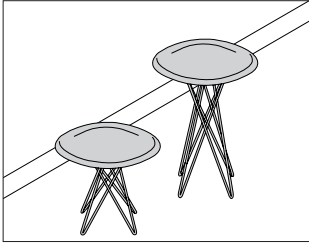
<b>A</b>	black stainless steel [A]	+\$0
<b>N</b>	brushed stainless steel [A]	+\$275

Step 4. Top Finish

<b>YFC</b>	natural oak [A]	+\$175
<b>YQB</b>	black anilin ash [A]	+\$0
<b>YQC</b>	natural ash [A]	+\$0

Pizza Table

MGG90.

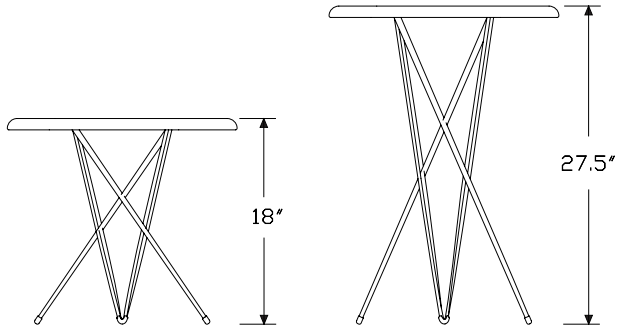
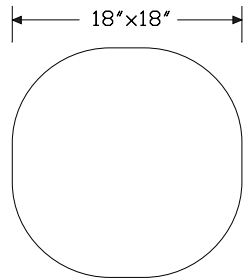


HermanMiller Collection—Tables

**Product Information**

**Description**  
 This table comes in low and high heights. The frame is painted steel rod, and the top is standard injection molded glossy ABS.

**Dimensions**



**Specification Information**

**Step 1.**

**MGG90.**  A

**Step 2. Height**

**L** low  A

**H** high  A

**Prices for Steps 1-2.**

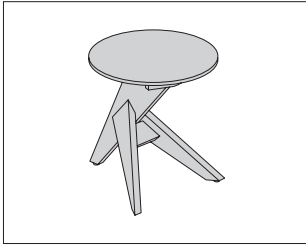
<b>MGG90.L</b>	\$318
<b>H</b>	\$353

**Step 3. Finish**

<b>YCR</b> glossy brown <input type="checkbox"/> A	+ \$0
<b>YCN</b> glossy white <input type="checkbox"/> A	+ \$0

Medici Table

MGV70.

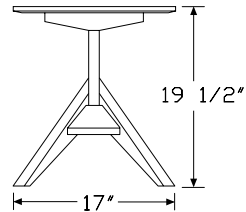
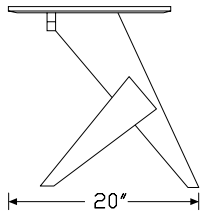


**Product Information**

Description

This solid wood table is available in ash, walnut and Douglas fir.

Dimensions



**Specification Information**

Step 1.

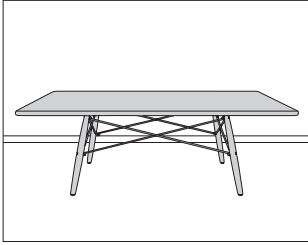
**MGV70.**  A \$1040

Step 2. Frame Finish

- ZQF** yellow anilin ash  A +\$0
- ZQH** douglas fir natural waxed  A +\$0
- ZQJ** grey anilin ash  A +\$0
- ZPA** red anilin ash  A +\$0
- ZPB** black anilin ash  A +\$0
- ZQG** natural walnut waxed  A +\$225

# Eames® Coffee Table

ECT30



### Product Information

#### Description

This 15"-high table has a  $\frac{5}{8}$ "-thick veneer surface or a stone top. The dowel base has powder-coated or chrome wire and non-adjustable nylon glides. Ships fully assembled except when specifying stone top.

#### Notes

Stone top actual thickness is  $\frac{5}{9}$ ". Illustration dimension is nominal.

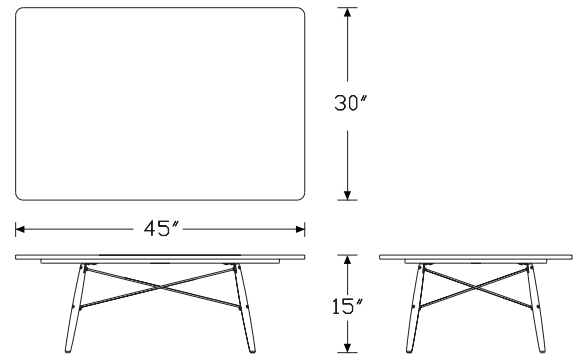
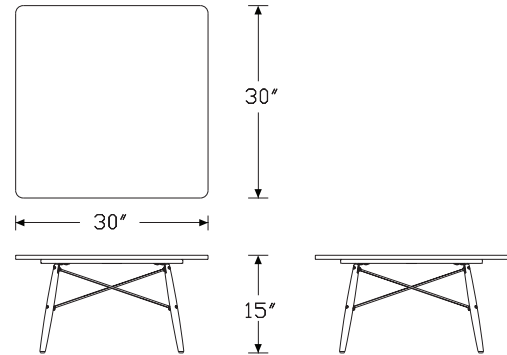
Ebony (EN) and walnut (OU) dowel legs are stained ash wood with black glides.

Natural maple (UL) and white ash (A2) dowel legs have white glides.

Natural characteristics in stone cause variations in hues, veins, crystals, and distinctive marks. These variations and subtle changes seen as the stone ages are values associated with natural materials. No two tabletops are identically the same; variations in both color and veining are to be expected. Over time the stone may fade in color, staining of the surface may appear, and surface cracks-if not already visible at time of purchase-may appear. Small cracks do not affect the structure of the tabletop.

Santos palisander veneer is celebrated for its unique grain and color variations. Similar products ordered in multiples or dissimilar products ordered separately should be expected to have variation in both grain and color characteristics; no two products will look exactly alike.

### Dimensions



**Specification Information**

Step 1.

**ECT**  A

Step 2. Size

**3030** 30" x 30"  A

**3045** 30" x 45"  A

Step 3. Top Material

**V** veneer  A

**S** stone  A

Prices for Steps 1-3.

<b>ECT3030 V</b>	\$1040
<b>S</b>	\$2170

<b>ECT3045 V</b>	\$1190
<b>S</b>	\$2840

Step 4. Top Finish

*For veneer (V)*

	<b>3030</b>	<b>3045</b>
<b>A2</b> white ash <input type="checkbox"/> A	+\$30	0
<b>EN</b> ebony <input type="checkbox"/> A	+\$30	0
<b>OU</b> walnut <input type="checkbox"/> A	+\$30	50
<b>9N</b> santos palisander <input type="checkbox"/> A	+\$550	730

*For stone (S)*

<b>CRR</b> Carrara marble <input type="checkbox"/> A	+\$0
--	------

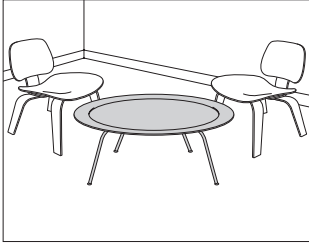
Step 5. Dowel Finish

<b>UL</b> natural maple <input type="checkbox"/> A	+\$0
<b>A2</b> white ash <input type="checkbox"/> A	+\$30
<b>EN</b> ebony <input type="checkbox"/> A	+\$30
<b>OU</b> walnut <input type="checkbox"/> A	+\$30

Step 6. Wire Finish

<b>91</b> white <input type="checkbox"/> A	+\$0
<b>BK</b> black <input type="checkbox"/> A	+\$0
<b>47</b> trivalent chrome <input type="checkbox"/> A	+\$20

Eames® Molded Plywood Coffee Table Metal Base CTM.



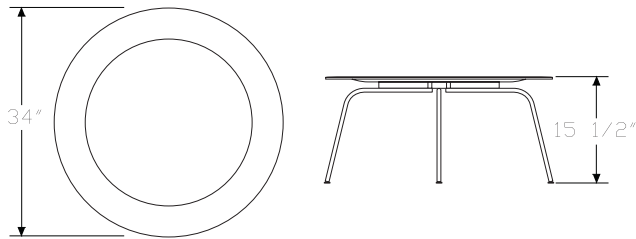
**Product Information**

**Description**  
 This 15½"-high molded plywood table has natural face veneers and hardwood inner plies. It has a 5-ply, 34"-diameter top and a 4-leg metal base with self-leveling nylon glides. Shipped knocked down.

**Notes**

Ebony (EN) option is stain on ash veneer; inner plies are not as visible.  
 Black (BK) base finish has black glides. Trivalent chrome (47) base finish has white glides.

**Dimensions**



HermanMiller Collection—Occasional Tables

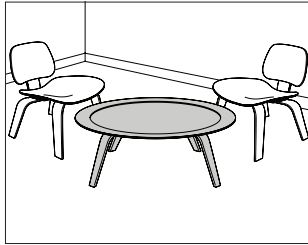
**Specification Information**

<b>Step 1.</b>		
<b>CTM.</b>	<input type="checkbox"/> A	\$1108
<b>Step 2. Top Finish</b>		
<b>OU</b>	walnut <input type="checkbox"/> A	+\$0
<b>EN</b>	ebony <input type="checkbox"/> A	+\$50
<b>A2</b>	white ash <input type="checkbox"/> A	+\$50
<b>Step 3. Base Finish</b>		
<b>BK</b>	black <input type="checkbox"/> A	+\$0
<b>47</b>	trivalent chrome <input type="checkbox"/> A	+\$20



Eames® Molded Plywood Coffee Table Wood Base

CTW.



**Product Information**

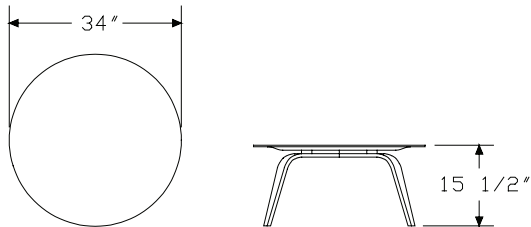
**Description**

This 15 1/2"-high molded plywood table has natural face veneers and hardwood inner plies. It has a 5-ply, 34"-diameter top and an 8-ply 4-leg base. Shipped knocked down.

**Notes**

Ebony (EN) option is stain on ash veneer; inner plies are not as visible.

**Dimensions**



**Specification Information**

**Step 1.**

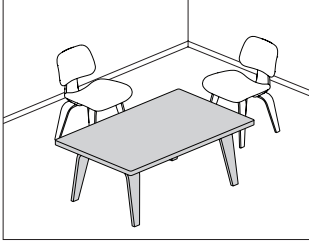
**CTW.** [A] \$1261

**Step 2. Finish**

<b>EN</b>	ebony [A]	+\$115
<b>OU</b>	walnut [A]	+\$0
<b>A2</b>	white ash [A]	+\$115

Herman Miller Collection—Occasional Tables

# Eames® Rectangular Coffee Table CTW1.



HermanMiller Collection—Occasional Tables

## Product Information

### Description

This 14"-high table has a laminate top with veneer edge or a veneer top and edge with curved molded plywood veneer legs. Shipped knocked down.

### Notes

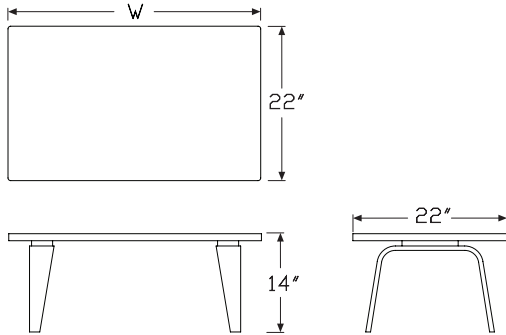
For white (91) laminate top option, veneer edge is walnut (OU).

For studio white (98) laminate top option, veneer edge is white ash (A2).

For black (BK) laminate top option, veneer edge is walnut (OU).

Ebony (EN) option is stain on ash veneer; inner plies are not as visible.

### Dimensions



## Specification Information

### Step 1.

**CTW1.** [A]

### Step 2. Depth/Width

**2236** 22" deep x 36" wide [A]

**2248** 22" deep x 48" wide [A]

### Step 3. Surface Material

**L** laminate with veneer edge [A]

**W** veneer with veneer edge [A]

### Prices for Steps 1-3.

	L	W
<b>CTW1. 2236</b>	\$1038	1104
<b>2248</b>	\$1082	1215

### Step 4. Top Finish

#### For laminate with veneer edge (L)

**91** white [A] +\$0

**98** studio white [A] +\$0

**BK** black [A] +\$0

#### For veneer with veneer edge (W)

**A2** white ash [A] +\$0

**EN** ebony [A] +\$0

**OU** walnut [A] +\$0

### Step 5. Leg Finish

#### For white (91), black (BK), or walnut (OU)

**OU** walnut [A] +\$0

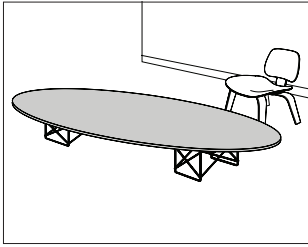
#### For white ash (A2) or studio white (98)

**A2** white ash [A] +\$0

#### For ebony (EN)

**EN** ebony [A] +\$0

Eames® Wire Base Elliptical Table ETRT.

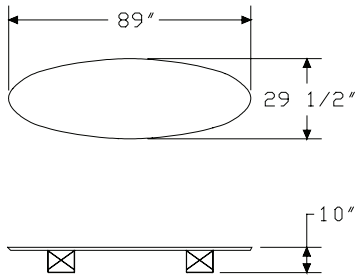


**Product Information**

**Description**

This oval table has a 7/8"-thick laminate top, a 13-ply Baltic birch core and edge, and either a powder-coated or chrome wire base.

**Dimensions**



**Specification Information**

**Step 1.**

**ETRT.**  A \$1195

**Step 2. Top Finish**

**91** white +\$0  
**98** studio white +\$0  
**BK** black  A +\$0

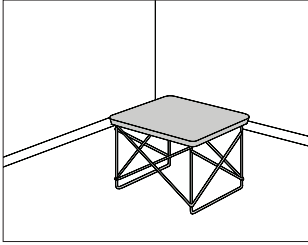
**Step 3. Base Finish**

**47** trivalent chrome +\$0  
**91** white +\$0  
**98** studio white +\$0  
**BK** black  A +\$0

HermanMiller Collection—Occasional Tables

# Eames® Wire Base Low Table

LTRT.



HermanMiller Collection—Occasional Tables

## Product Information

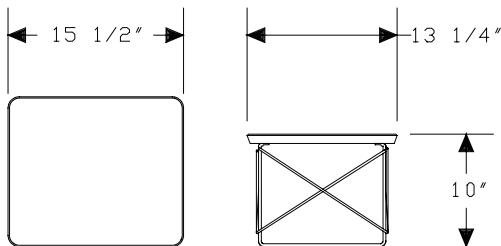
**Description**  
This table has a 7/8"-thick laminate or veneer surface with 13-ply Baltic birch core, or 3/4"-thick stone. The base is either powder-coated or chrome wire.

## Notes

Stone has a honed finish and knife edge similar in profile to the Baltic birch core edge.  
Natural characteristics in stone cause variations in hues, veins, crystals, and distinctive marks. These variations and subtle changes seen as the stone ages are values associated with natural materials. No two tabletops are identically the same; variations in both color and veining are to be expected. Over time the stone may fade in color, staining of the surface may appear, and surface cracks-if not already visible at time of purchase-may appear. Small cracks do not affect the structure of the tabletop.

Santos palisander veneer is celebrated for its unique grain and color variations. Similar products ordered in multiples or dissimilar products ordered separately should be expected to have variation in both grain and color characteristics; no two products will look exactly alike.

## Dimensions



## Specification Information

**Step 1.**  
**LTRT.** [A] \$210

## Step 2. Top Finish

### Solid-Color Laminate

**91** white +\$0  
**98** studio white +\$0  
**BK** black [A] +\$0

### Wood Veneer

**OU** walnut [A] +\$100  
**A2** white ash [A] +\$110  
**9N** santos palisander [A] +\$255

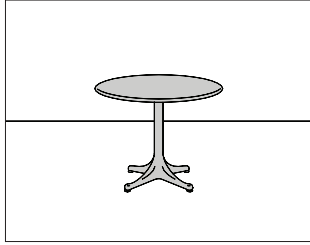
### Stone

**5U** georgia grey marble [A] +\$1359  
**HR** wisconsin black marble [A] +\$1419  
**CRR** Carrara marble [A] +\$1289

## Step 3. Base Finish

**91** white +\$0  
**98** studio white +\$0  
**BK** black [A] +\$0  
**47** trivalent chrome +\$20

# Nelson™ Pedestal Table



- 5451L
- 5451S
- 5451W
- 5452L
- 5452S
- 5452W
- 5453L
- 5453S
- 5453W
- 5454L
- 5454S
- 5454W
- 5455L
- 5455S
- 5455W

## Product Information

### Description

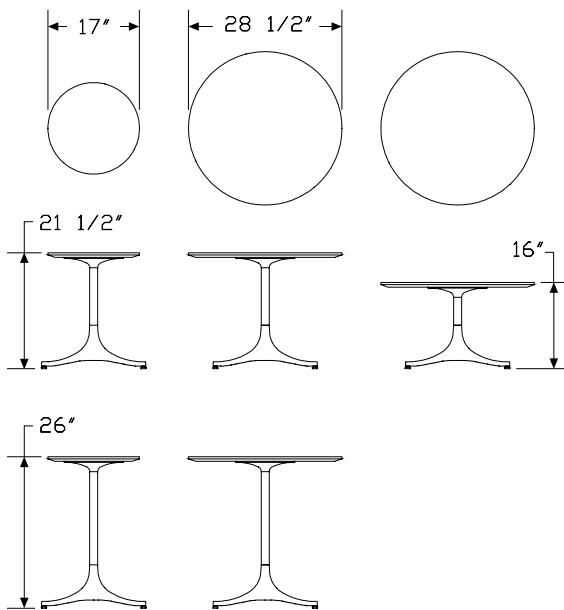
This round table has either a 7/8"-thick laminate top with a veneer edge, a veneer top and edge, or a 3/4"-thick stone top with a honed finish. Each top has a knife profile edge. Base is aluminum with adjustable glides.

### Notes

Natural characteristics in stone cause variations in hues, veins, crystals, and distinctive marks. These variations and subtle changes seen as the stone ages are values associated with natural materials. No two tabletops are identically the same; variations in both color and veining are to be expected. Over time the stone may fade in color, staining of the surface may appear, and surface cracks-if not already visible at time of purchase-may appear. Small cracks do not affect the structure of the tabletop.

Santos palisander veneer is celebrated for its unique grain and color variations. Similar products ordered in multiples or dissimilar products ordered separately should be expected to have variation in both grain and color characteristics; no two products will look exactly alike.

### Dimensions



## Specification Information

### Step 1.

545  A

### Step 2. Height/Diameter

- 1 21 1/2" high x 17" diameter  A
- 5 26" high x 17" diameter  A
- 2 16" high x 28 1/2" diameter  A
- 3 21 1/2" high x 28 1/2" diameter  A
- 4 26" high x 28 1/2" diameter  A

### Step 3. Surface Material

- L laminate top  A
- W veneer top  A
- S stone top  A

### Prices for Steps 1-3.

5451L	\$797
5451W	\$922
5451S	\$2222
5455L	\$797
5455W	\$922
5455S	\$2222
5452L	\$953
5452W	\$1171
5452S	\$3544
5453L	\$953
5453W	\$1171
5453S	\$3544
5454L	\$953
5454W	\$1171
5454S	\$3544

### Step 4. Base Finish

- 91 white  A +\$0
- 98 studio white  A +\$0
- BK black  A +\$0
- L polished aluminum  A +\$0

### Step 5. Top Finish

#### For laminate top (L)

- 91 white  A +\$0
- 98 studio white  A +\$0
- BK black  A +\$0

Nelson™ Pedestal Table *continued*

HermanMiller Collection—Occasional Tables

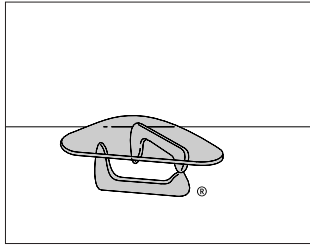
		1	5	2	3	4
<i>For veneer top (W)</i>						
<b>OU</b>	walnut <input type="checkbox"/> A	+\$0	0	0	0	0
<b>A2</b>	white ash <input type="checkbox"/> A	+\$65	65	95	95	95
<b>9N</b>	santos palisander <input type="checkbox"/> A	+\$215	215	361	361	361
<b>EN</b>	ebony stain on white ash <input type="checkbox"/> A	+\$65	65	95	95	95

		1	5	2	3	4
<i>For stone top (S)</i>						
<b>5U</b>	georgia grey marble <input type="checkbox"/> A	+\$225	225	360	360	360
<b>HR</b>	wisconsin black marble <input type="checkbox"/> A	+\$631	631	1022	1022	1022
<b>CRR</b>	Carrara marble <input type="checkbox"/> A	+\$100	100	285	285	285

Step 6. Edge Band Detail						
<i>For laminate top (L)</i>						
<b>A2</b>	white ash <input type="checkbox"/> A					+\$50
<b>9N</b>	santos palisander <input type="checkbox"/> A					+\$100
<b>OU</b>	walnut <input type="checkbox"/> A					+\$25
<b>UL</b>	natural maple <input type="checkbox"/> A					+\$0

# Noguchi® Table

IN50

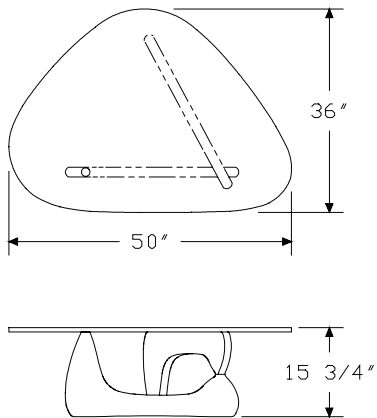


### Product Information

#### Description

This table has a 3/4"-thick plate-glass top and a 2-piece wood base. Isamu Noguchi's signature appears on the edge of the glass top. An oval medallion with his signature and the Herman Miller logo is attached to the underside of the base. A certificate of authenticity is included with each table. Shipped knocked down.

#### Dimensions



### Specification Information

#### Step 1.

**IN50**  A \$2040

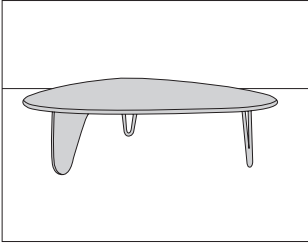
#### Step 2. Base Finish

**E3** noguchi black  A +\$50  
**OU** walnut  A +\$150  
**A2** white ash  A +\$150

Herman Miller Collection—Occasional Tables

# Noguchi® Rudder Table

IN52



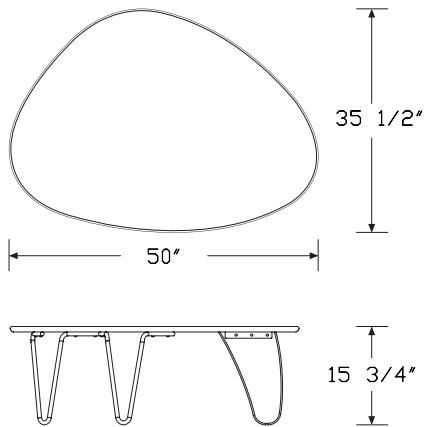
HermanMiller Collection—Occasional Tables

## Product Information

**Description**  
 This table has a 7/8"-thick top made from a Baltic birch core with veneer surface and beveled edge. Rudder leg is solid wood with veneer surface; hairpin legs are metal. Shipped knocked down.

**Notes**  
 Base finish only refers to the metal hairpin leg portion; rudder leg will follow the same species as the top finish.

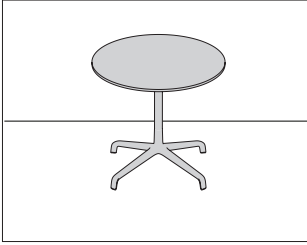
## Dimensions



## Specification Information

<b>Step 1.</b>		
<b>IN52</b>	<input type="checkbox"/> A	\$1549
<b>Step 2. Top Finish</b>		
<b>A2</b>	white ash <input type="checkbox"/> A	+\$0
<b>FD</b>	ebony on maple <input type="checkbox"/> A	+\$0
<b>OU</b>	walnut <input type="checkbox"/> A	+\$0
<b>Step 3. Base Finish</b>		
<b>47</b>	trivalent chrome <input type="checkbox"/> A	+\$20





**Product Information**

**Description**

This pedestal table comes in 2 heights and several top sizes with a choice of veneer, laminate, stone, or back-painted glass top with modified bullnose edge. Glass top is 1/2" thick and has a satin etch finish. Table has adjustable glides. Shipped knocked down.

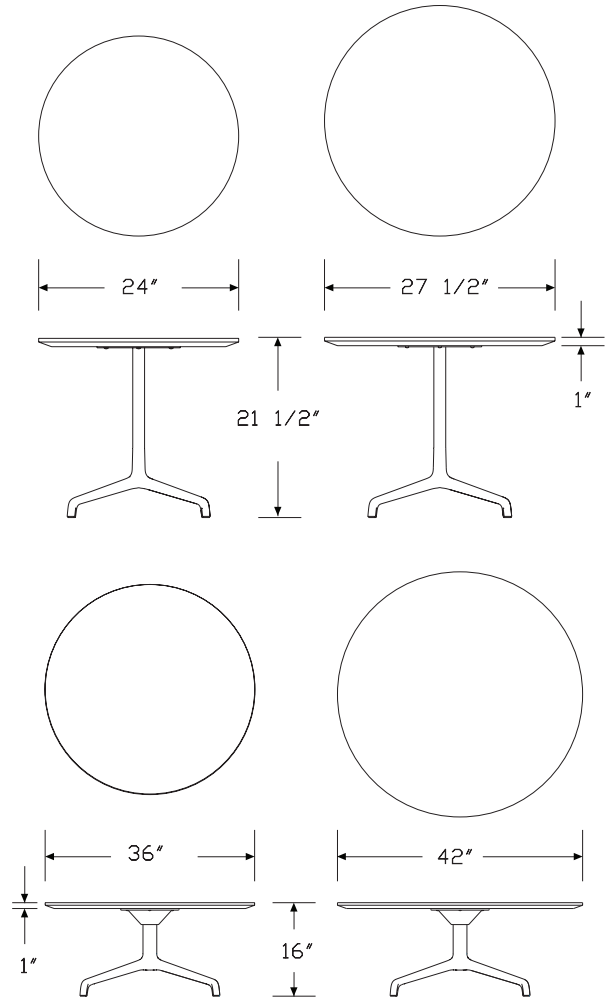
**Notes**

36" and 42" diameter tables may accommodate USB and power. Single center cutout, no grommet (CC) must be specified.

For power access, order round power module (ET991.) separately.

Santos palisander veneer is celebrated for its unique grain and color variations. Similar products ordered in multiples or dissimilar products ordered separately should be expected to have variation in both grain and color characteristics; no two products will look exactly alike.

**Dimensions**



Striad® Pedestal Table *continued*

**Specification Information**

Step 1.

**CCL500.** A

Step 2. Height/Diameter

**1636** 16" high x 36" diameter A

**1642** 16" high x 42" diameter A

**2124** 21.5" high x 24" diameter A

**2128** 21.5" high x 27.5" diameter A

Step 3. Surface Material

**W** veneer top with veneer edge A

**G** back-painted glass top A

**L** laminate top A

**S** stone top A

Step 4. Grommets

*For 16" high x 36" diameter (1636) or 16" high x 42" diameter (1642)*

**NG** no grommet A

**CC** single center cutout, no grommet A

**CG** single center cutout, with grommet A

*For 21.5" high x 24" diameter (2124) or 21.5" high x 27.5" diameter (2128)*

**NG** no grommet A

Prices for Steps 1-4.

		NG	CC	CG
<b>CCL500.</b>	<b>1636 W</b>	\$1341	1341	1353
	<b>G</b>	\$2922	3055	3034
	<b>L</b>	\$1066	1077	1089
	<b>S</b>	\$5049	5116	5128
	<b>1642 W</b>	\$1800	1800	1812
	<b>G</b>	\$3792	3925	3904
	<b>L</b>	\$1350	1361	1373
	<b>S</b>	\$6867	6933	6946
	<b>2124 W</b>	\$1094	—	—
	<b>G</b>	\$1872	—	—
	<b>L</b>	\$856	—	—
	<b>S</b>	\$3804	—	—
	<b>2128 W</b>	\$1161	—	—
	<b>G</b>	\$2316	—	—
	<b>L</b>	\$923	—	—
	<b>S</b>	\$4230	—	—

Step 5. Top Finish

*For back-painted glass top (G) AND laminate top (L)*

		1636	1642	2124	2128
<b>91</b>	white <span style="border: 1px solid black; padding: 0 2px;">A</span>	+\$0	0	0	0
<b>8Q</b>	folkstone grey <span style="border: 1px solid black; padding: 0 2px;">A</span>	+\$0	0	0	0
<b>WN</b>	warm grey neutral <span style="border: 1px solid black; padding: 0 2px;">A</span>	+\$0	0	0	0
<b>BK</b>	black <span style="border: 1px solid black; padding: 0 2px;">A</span>	+\$0	0	0	0

*For veneer top with veneer edge (W)*

		1636	1642	2124	2128
<b>A2</b>	white ash <span style="border: 1px solid black; padding: 0 2px;">A</span>	+\$0	0	0	0
<b>EN</b>	ebony <span style="border: 1px solid black; padding: 0 2px;">A</span>	+\$11	11	22	22
<b>OU</b>	walnut <span style="border: 1px solid black; padding: 0 2px;">A</span>	+\$11	11	22	22
<b>9N</b>	santos palisander <span style="border: 1px solid black; padding: 0 2px;">A</span>	+\$118	147	253	340

*For stone top (S)*

		1636	1642	2124	2128
<b>QPL</b>	pearl quartz <span style="border: 1px solid black; padding: 0 2px;">A</span>	+\$0	0	0	0
<b>QCN</b>	concrete quartz <span style="border: 1px solid black; padding: 0 2px;">A</span>	+\$0	0	0	0
<b>CRR</b>	Carrara marble <span style="border: 1px solid black; padding: 0 2px;">A</span>	+\$264	276	200	238
<b>5U</b>	georgia grey marble <span style="border: 1px solid black; padding: 0 2px;">A</span>	+\$302	313	244	276
<b>HR</b>	wisconsin black marble <span style="border: 1px solid black; padding: 0 2px;">A</span>	+\$493	511	671	982

Step 6. Grommet Finish

*For 16" high x 36" diameter (1636) or 16" high x 42" diameter (1642) with single center cutout, with grommet (CG)*

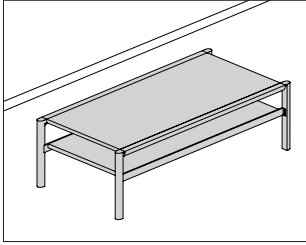
<b>91</b>	white <span style="border: 1px solid black; padding: 0 2px;">A</span>	+\$0
<b>BK</b>	black <span style="border: 1px solid black; padding: 0 2px;">A</span>	+\$0
<b>PA</b>	polished aluminum <span style="border: 1px solid black; padding: 0 2px;">A</span>	+\$0

Step 7. Base Finish

<b>91</b>	white <span style="border: 1px solid black; padding: 0 2px;">A</span>	+\$0
<b>BK</b>	black <span style="border: 1px solid black; padding: 0 2px;">A</span>	+\$0
<b>PA</b>	polished aluminum <span style="border: 1px solid black; padding: 0 2px;">A</span>	+\$0

# Brabo Occasional Table

AV3AL  
AV3AW  
AV3WL  
AV3WW

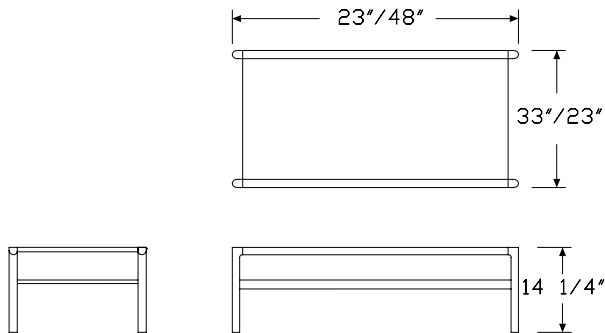


### Product Information

#### Description

This table has a solid ash or walnut frame, and steel-plated metal in one of several metal finishes. Tops can be specified in wood veneer or leather-wrapped. Available as a side table or coffee table.

#### Dimensions



### Specification Information

#### Step 1.

AV

#### Step 2. Table Type

- 3AL ash wood top with leather
- 3WL walnut wood top with leather
- 3AW ash wood top with wood
- 3WW walnut wood top with wood

#### Step 3. Size

- 332314 23" wide side table
- 234814 48" wide coffee table

#### Prices for Steps 1-3.

AV3AL	-332314	\$2155
	-234814	\$2350
AV3WL	-332314	\$2235
	-234814	\$2460
AV3AW	-332314	\$2155
	-234814	\$2350
AV3WW	-332314	\$2235
	-234814	\$2460

#### Step 4. Wood Finish

##### Anigre Veneer - Low Sheen

*For ash wood top with leather (3AL) or ash wood top with wood (3AW)*

- 967 smoked paldao, low sheen  +\$0
- 969 warm paldao, low sheen  +\$0

##### Premium Veneer - Matte

*For ash wood top with leather (3AL) or ash wood top with wood (3AW)*

- 66A frosty ash recograin, quarter cut, matte sheen  +\$0
- 677 chocolate ash, matte sheen  +\$0
- 68R recograin rosewood  +\$0
- 69A recograin frosty ash  +\$0
- 69R recograin rosewood  +\$0
- 69T recograin teak  +\$0
- 6K1 rift oak  +\$0
- ET clear on ash  +\$0
- EU oak on ash  +\$0
- EV walnut on ash  +\$0
- GOU natural walnut, flat cut, matte sheen  +\$0

# Brabo Occasional Table *continued*

Premium Veneer - Low Sheen

*For ash wood top with leather (3AL) or ash wood top with wood (3AW)*

<b>940</b>	sundance cherry on maple [A]	+\$0
<b>943</b>	caramel cherry [A]	+\$0
<b>946</b>	cocoa cherry [A]	+\$0
<b>956</b>	cocoa sapele [A]	+\$0
<b>962</b>	toasted walnut, low sheen [A]	+\$0
<b>963</b>	charred walnut, low sheen [A]	+\$0
<b>964</b>	bronzed walnut, low sheen [A]	+\$0
<b>965</b>	smoked walnut, low sheen [A]	+\$0
<b>966</b>	coffee walnut, low sheen [A]	+\$0
<b>977</b>	chocolate ash, low sheen [A]	+\$0
<b>98R</b>	recograin rosewood [A]	+\$0
<b>991</b>	champagne ash [A]	+\$0
<b>998</b>	ebony ash [A]	+\$0
<b>99A</b>	recograin frosty ash [A]	+\$0
<b>99R</b>	recograin rosewood [A]	+\$0
<b>99T</b>	recograin teak [A]	+\$0
<b>9A1</b>	white ash, quarter cut, low sheen [A]	+\$0
<b>9K1</b>	rift oak, rift cut, low sheen [A]	+\$0
<b>9K6</b>	burnt oak, rift cut, low sheen [A]	+\$0
<b>ED</b>	aged cherry [A]	+\$0
<b>EK</b>	medium red walnut [A]	+\$0
<b>G2U</b>	light brown walnut, low sheen [A]	+\$0
<b>G40</b>	dark brown walnut, low sheen [A]	+\$0
<b>UX</b>	walnut on cherry [A]	+\$0

RecoGrain Veneer

*For ash wood top with leather (3AL) or ash wood top with wood (3AW)*

<b>66G</b>	wenge recograin, quarter cut, matte sheen [A]	+\$0
<b>68W</b>	recograin walnut, flat cut, matte sheen [A]	+\$0
<b>69G</b>	recograin wenge, quarter cut, matte sheen [A]	+\$0
<b>69W</b>	recograin walnut, quarter cut, matte sheen [A]	+\$0

*For ash wood top with leather (3AL) or ash wood top with wood (3AW)*

<b>98W</b>	recograin walnut, flat cut, low sheen [A]	+\$0
<b>99G</b>	recograin wenge, quarter cut, low sheen [A]	+\$0
<b>99W</b>	recograin walnut, quarter cut, low sheen [A]	+\$0

Matte Wood Finishes

*For ash wood top with leather (3AL) or ash wood top with wood (3AW)*

<b>6A1</b>	white ash [A]	+\$0
<b>6K6</b>	burnt oak [A]	+\$0

Premium Veneer - Low Sheen

*For walnut wood top with leather (3WL) or walnut wood top with wood (3WW)*

<b>962</b>	toasted walnut, low sheen [A]	+\$0
<b>963</b>	charred walnut, low sheen [A]	+\$0
<b>964</b>	bronzed walnut, low sheen [A]	+\$0
<b>965</b>	smoked walnut, low sheen [A]	+\$0
<b>966</b>	coffee walnut, low sheen [A]	+\$0
<b>972</b>	sundance walnut [A]	+\$0
<b>98R</b>	recograin rosewood [A]	+\$0
<b>99R</b>	recograin rosewood [A]	+\$0
<b>EK</b>	medium red walnut [A]	+\$0
<b>G2U</b>	light brown walnut, low sheen [A]	+\$0
<b>G40</b>	dark brown walnut, low sheen [A]	+\$0

Premium Veneer - Matte

*For walnut wood top with leather (3WL) or walnut wood top with wood (3WW)*

<b>662</b>	toasted walnut, matte sheen [A]	+\$0
<b>663</b>	charred walnut, matte sheen [A]	+\$0
<b>664</b>	bronzed walnut, matte sheen [A]	+\$0
<b>665</b>	smoked walnut, matte sheen [A]	+\$0
<b>666</b>	coffee walnut, matte sheen [A]	+\$0
<b>667</b>	smoked paldao, quarter cut, matte sheen [A]	+\$0
<b>669</b>	warm paldao, quarter cut, matte sheen [A]	+\$0
<b>68R</b>	recograin rosewood [A]	+\$0
<b>69R</b>	recograin rosewood [A]	+\$0
<b>GOU</b>	natural walnut, flat cut, matte sheen [A]	+\$0

Anigre Veneer - Low Sheen

*For walnut wood top with leather (3WL) or walnut wood top with wood (3WW)*

<b>967</b>	smoked paldao, low sheen [A]	+\$0
<b>969</b>	warm paldao, low sheen [A]	+\$0

*For walnut wood top with leather (3WL) or walnut wood top with wood (3WW)*

<b>66G</b>	recograin wenge [A]	+\$0
<b>69G</b>	recograin wenge [A]	+\$0

*For walnut wood top with leather (3WL) or walnut wood top with wood (3WW)*

<b>96G</b>	wenge recograin, quarter cut, low sheen [A]	+\$0
<b>99G</b>	recograin wenge, quarter cut, low sheen [A]	+\$0

Brabo Occasional Table *continued*

---

Step 5. Leather Top

---

*For ash wood top with leather (3AL) AND walnut wood top with leather (3WL)*

	<b>-332314 -234814</b>	
Price Category 11	+\$210	314

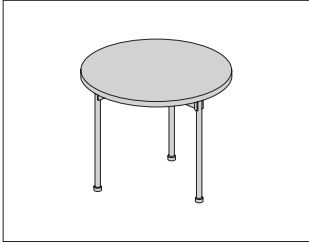
---

Step 6. Base Finish

<b>BNZ</b>	bronze <input type="checkbox"/> A	+\$0
<b>CHR</b>	chrome <input type="checkbox"/> A	+\$0
<b>SAC</b>	satin chrome <input type="checkbox"/> A	+\$0

# Claw Table

ACL1A

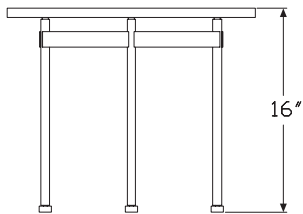
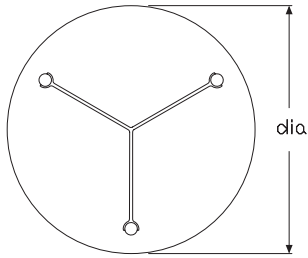


### Product Information

#### Description

The table top is 3/4" thick clear glass with a metal base.

#### Dimensions



### Specification Information

#### Step 1.

**ACL1A**  A

#### Step 2. Dimensions

- 20** 20" diameter x 16" high  A
- 24** 24" diameter x 16" high  A
- 36** 36" diameter x 16" high  A

#### Prices for Steps 1-2.

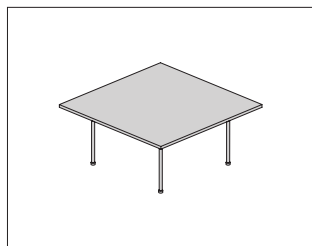
<b>ACL1A -20</b>	\$2020
<b>-24</b>	\$2225
<b>-36</b>	\$3235

#### Step 3. Base Finish

<b>926</b> black <input type="checkbox"/> A	+ \$0
<b>BNZ</b> bronze <input type="checkbox"/> A	+ \$0
<b>CHR</b> chrome <input type="checkbox"/> A	+ \$0
<b>EH</b> metallic bronze <input type="checkbox"/> A	+ \$0
<b>MS</b> metallic silver <input type="checkbox"/> A	+ \$0
<b>SAC</b> satin chrome <input type="checkbox"/> A	+ \$0

# Claw Occasional Table, Square

ACL2A

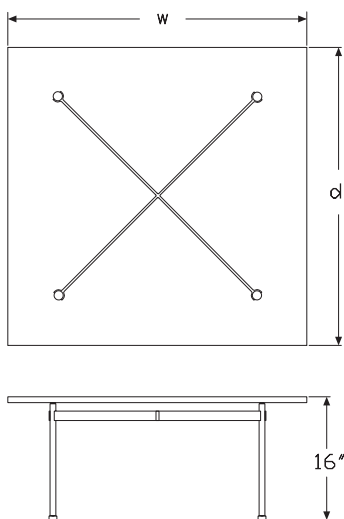


## Product Information

### Description

The table top is 3/4" thick clear glass with a metal base.

### Dimensions



## Specification Information

### Step 1.

**ACL2A**

### Step 2. Dimensions

**-3636** 36" square x 16" high

**-4040** 40" square x 16" high

### Prices for Steps 1-2.

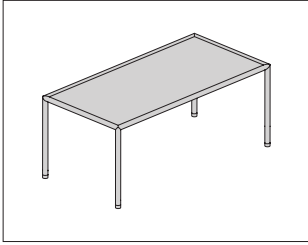
<b>ACL2A -3636</b>	\$3255
<b>-4040</b>	\$3510

### Step 3. Base Finish

<b>926</b> black <input type="checkbox"/>	+\$0
<b>BNZ</b> bronze <input type="checkbox"/>	+\$0
<b>CHR</b> chrome <input type="checkbox"/>	+\$0
<b>EH</b> metallic bronze <input type="checkbox"/>	+\$0
<b>MS</b> metallic silver <input type="checkbox"/>	+\$0
<b>SAC</b> satin chrome <input type="checkbox"/>	+\$0

# Full Round Table

AWR2-



## Product Information

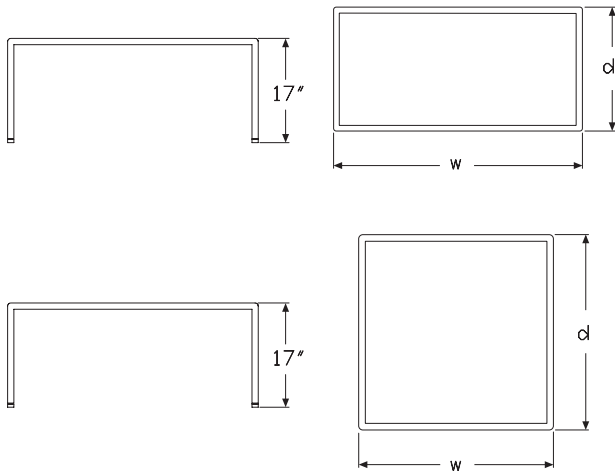
### Description

This table has a wood top and metal base.

### Notes

Santos palisander veneer is celebrated for its unique grain and color variations. Similar products ordered in multiples or dissimilar products ordered separately should be expected to have variation in both grain and color characteristics; no two products will look exactly alike.

### Dimensions



HermanMiller Collection—Occasional Tables

## Specification Information

### Step 1.

**AWR2** [A]

### Step 2. Dimensions

- 2020 20" square x 17" high [A]
- 2424 24" square x 17" high [A]
- 3030 30" square x 17" high [A]
- 3020 30" deep x 20" wide x 17" high [A]
- 4020 40" deep x 20" wide x 17" high [A]

### Prices for Steps 1-2.

<b>AWR2-2020</b>	\$1625
<b>AWR2-2424</b>	\$1840
<b>AWR2-3030</b>	\$2205
<b>AWR2-3020</b>	\$2010
<b>AWR2-4020</b>	\$2150

### Step 3. Wood Finish

#### Premium Veneer - Low Sheen

*For 20" square x 17" high (-2020)*

<b>931</b>	champagne anigre (natural) [A]	+\$291
<b>932</b>	sundance anigre [A]	+\$291
<b>933</b>	caramel anigre [A]	+\$291
<b>934</b>	henna anigre [A]	+\$291
<b>941</b>	natural beech [A]	+\$0
<b>942</b>	sundance cherry (natural) [A]	+\$0
<b>943</b>	caramel cherry [A]	+\$0
<b>946</b>	cocoa cherry [A]	+\$0
<b>951</b>	natural anigre [A]	+\$632
<b>956</b>	cocoa sapele [A]	+\$0
<b>962</b>	toasted walnut, low sheen [A]	+\$0
<b>963</b>	charred walnut, low sheen [A]	+\$0
<b>964</b>	bronzed walnut, low sheen [A]	+\$0
<b>965</b>	smoked walnut, low sheen [A]	+\$0
<b>966</b>	coffee walnut, low sheen [A]	+\$0
<b>967</b>	smoked paldao, low sheen [A]	+\$237
<b>969</b>	warm paldao, low sheen [A]	+\$237
<b>972</b>	sundance walnut [A]	+\$0
<b>977</b>	chocolate ash, low sheen [A]	+\$0
<b>978</b>	natural oak [A]	+\$0
<b>981</b>	champagne hickory (natural) [A]	+\$0
<b>98R</b>	recograin rosewood [A]	+\$0
<b>991</b>	champagne ash [A]	+\$0
<b>998</b>	ebony ash [A]	+\$0
<b>99A</b>	recograin frosty ash [A]	+\$0



Full Round Table *continued*

<b>99R</b>	recograin rosewood <span style="border: 1px solid black; padding: 0 2px;">A</span>	+\$0
<b>99T</b>	recograin teak <span style="border: 1px solid black; padding: 0 2px;">A</span>	+\$0
<b>9A1</b>	white ash, quarter cut, low sheen <span style="border: 1px solid black; padding: 0 2px;">A</span>	+\$0
<b>9K1</b>	rift oak, rift cut, low sheen <span style="border: 1px solid black; padding: 0 2px;">A</span>	+\$0
<b>9K6</b>	burnt oak, rift cut, low sheen <span style="border: 1px solid black; padding: 0 2px;">A</span>	+\$0
<b>ED</b>	aged cherry <span style="border: 1px solid black; padding: 0 2px;">A</span>	+\$0
<b>EK</b>	medium red walnut <span style="border: 1px solid black; padding: 0 2px;">A</span>	+\$0
<b>G2U</b>	light brown walnut, low sheen <span style="border: 1px solid black; padding: 0 2px;">A</span>	+\$0
<b>G40</b>	dark brown walnut, low sheen <span style="border: 1px solid black; padding: 0 2px;">A</span>	+\$0
<b>UX</b>	walnut on cherry <span style="border: 1px solid black; padding: 0 2px;">A</span>	+\$0

Premium Veneer - Matte

*For 20" square x 17" high (-2020)*

<b>662</b>	toasted walnut, matte sheen <span style="border: 1px solid black; padding: 0 2px;">A</span>	+\$0
<b>663</b>	charred walnut, matte sheen <span style="border: 1px solid black; padding: 0 2px;">A</span>	+\$0
<b>664</b>	bronzed walnut, matte sheen <span style="border: 1px solid black; padding: 0 2px;">A</span>	+\$0
<b>665</b>	smoked walnut, matte sheen <span style="border: 1px solid black; padding: 0 2px;">A</span>	+\$0
<b>666</b>	coffee walnut, matte sheen <span style="border: 1px solid black; padding: 0 2px;">A</span>	+\$0
<b>667</b>	smoked paldao, quarter cut, matte sheen <span style="border: 1px solid black; padding: 0 2px;">A</span>	+\$237
<b>669</b>	warm paldao, quarter cut, matte sheen <span style="border: 1px solid black; padding: 0 2px;">A</span>	+\$237
<b>66A</b>	recograin frosty ash <span style="border: 1px solid black; padding: 0 2px;">A</span>	+\$0
<b>677</b>	chocolate ash, matte sheen <span style="border: 1px solid black; padding: 0 2px;">A</span>	+\$0
<b>678</b>	natural oak <span style="border: 1px solid black; padding: 0 2px;">A</span>	+\$0
<b>68R</b>	recograin rosewood <span style="border: 1px solid black; padding: 0 2px;">A</span>	+\$0
<b>69A</b>	recograin frosty ash <span style="border: 1px solid black; padding: 0 2px;">A</span>	+\$0
<b>69R</b>	recograin rosewood <span style="border: 1px solid black; padding: 0 2px;">A</span>	+\$0
<b>69T</b>	recograin teak <span style="border: 1px solid black; padding: 0 2px;">A</span>	+\$0
<b>6A1</b>	white ash <span style="border: 1px solid black; padding: 0 2px;">A</span>	+\$0
<b>6K1</b>	rift oak <span style="border: 1px solid black; padding: 0 2px;">A</span>	+\$0
<b>6K6</b>	burnt oak <span style="border: 1px solid black; padding: 0 2px;">A</span>	+\$0
<b>ET</b>	clear on ash <span style="border: 1px solid black; padding: 0 2px;">A</span>	+\$0
<b>EU</b>	oak on ash <span style="border: 1px solid black; padding: 0 2px;">A</span>	+\$0
<b>EV</b>	walnut on ash <span style="border: 1px solid black; padding: 0 2px;">A</span>	+\$0
<b>GOU</b>	natural walnut, flat cut, matte sheen <span style="border: 1px solid black; padding: 0 2px;">A</span>	+\$0

RecoGrain Veneer

*For 20" square x 17" high (-2020)*

<b>66G</b>	recograin wenge <span style="border: 1px solid black; padding: 0 2px;">A</span>	-\$79
<b>68W</b>	recograin walnut, flat cut, matte sheen <span style="border: 1px solid black; padding: 0 2px;">A</span>	-\$79
<b>69G</b>	recograin wenge <span style="border: 1px solid black; padding: 0 2px;">A</span>	-\$79
<b>69K</b>	recograin oak, quarter cut, matte sheen <span style="border: 1px solid black; padding: 0 2px;">A</span>	-\$79
<b>69W</b>	recograin walnut, quarter cut, matte sheen <span style="border: 1px solid black; padding: 0 2px;">A</span>	-\$79

Recon Veneer -

*For 20" square x 17" high (-2020)*

<b>96G</b>	wenge recograin, quarter cut, low sheen <span style="border: 1px solid black; padding: 0 2px;">A</span>	-\$79
<b>98W</b>	recograin walnut, flat cut, low sheen <span style="border: 1px solid black; padding: 0 2px;">A</span>	-\$79
<b>99G</b>	recograin wenge, quarter cut, low sheen <span style="border: 1px solid black; padding: 0 2px;">A</span>	-\$79
<b>99K</b>	recograin oak, quarter cut, low sheen <span style="border: 1px solid black; padding: 0 2px;">A</span>	-\$79
<b>99W</b>	recograin walnut, quarter cut, low sheen <span style="border: 1px solid black; padding: 0 2px;">A</span>	-\$79

*For 24" square x 17" high (-2424)*

<b>662</b>	toasted walnut, matte sheen <span style="border: 1px solid black; padding: 0 2px;">A</span>	+\$0
<b>663</b>	charred walnut, matte sheen <span style="border: 1px solid black; padding: 0 2px;">A</span>	+\$0
<b>664</b>	bronzed walnut, matte sheen <span style="border: 1px solid black; padding: 0 2px;">A</span>	+\$0
<b>665</b>	smoked walnut, matte sheen <span style="border: 1px solid black; padding: 0 2px;">A</span>	+\$0
<b>666</b>	coffee walnut, matte sheen <span style="border: 1px solid black; padding: 0 2px;">A</span>	+\$0
<b>667</b>	smoked paldao, quarter cut, matte sheen <span style="border: 1px solid black; padding: 0 2px;">A</span>	+\$268
<b>669</b>	warm paldao, quarter cut, matte sheen <span style="border: 1px solid black; padding: 0 2px;">A</span>	+\$268
<b>66A</b>	frosty ash recograin, quarter cut, matte sheen <span style="border: 1px solid black; padding: 0 2px;">A</span>	+\$0
<b>677</b>	chocolate ash, matte sheen <span style="border: 1px solid black; padding: 0 2px;">A</span>	+\$0
<b>678</b>	natural oak <span style="border: 1px solid black; padding: 0 2px;">A</span>	+\$0
<b>68R</b>	recograin rosewood <span style="border: 1px solid black; padding: 0 2px;">A</span>	+\$0
<b>69A</b>	recograin frosty ash <span style="border: 1px solid black; padding: 0 2px;">A</span>	+\$0
<b>69R</b>	recograin rosewood <span style="border: 1px solid black; padding: 0 2px;">A</span>	+\$0
<b>69T</b>	recograin teak <span style="border: 1px solid black; padding: 0 2px;">A</span>	+\$0
<b>6A1</b>	white ash <span style="border: 1px solid black; padding: 0 2px;">A</span>	+\$0
<b>6K1</b>	rift oak <span style="border: 1px solid black; padding: 0 2px;">A</span>	+\$0
<b>6K6</b>	burnt oak <span style="border: 1px solid black; padding: 0 2px;">A</span>	+\$0
<b>ET</b>	clear on ash <span style="border: 1px solid black; padding: 0 2px;">A</span>	+\$0
<b>EU</b>	oak on ash <span style="border: 1px solid black; padding: 0 2px;">A</span>	+\$0
<b>EV</b>	walnut on ash <span style="border: 1px solid black; padding: 0 2px;">A</span>	+\$0
<b>GOU</b>	natural walnut, flat cut, matte sheen <span style="border: 1px solid black; padding: 0 2px;">A</span>	+\$0

*For 24" square x 17" high (-2424)*

<b>66G</b>	recograin wenge <span style="border: 1px solid black; padding: 0 2px;">A</span>	-\$90
<b>68W</b>	recograin walnut, flat cut, matte sheen <span style="border: 1px solid black; padding: 0 2px;">A</span>	-\$90
<b>69G</b>	recograin wenge <span style="border: 1px solid black; padding: 0 2px;">A</span>	-\$90
<b>69K</b>	recograin oak, quarter cut, matte sheen <span style="border: 1px solid black; padding: 0 2px;">A</span>	-\$90
<b>69W</b>	recograin walnut, quarter cut, matte sheen <span style="border: 1px solid black; padding: 0 2px;">A</span>	-\$90

*For 24" square x 17" high (-2424)*

<b>96G</b>	wenge recograin, quarter cut, low sheen <span style="border: 1px solid black; padding: 0 2px;">A</span>	-\$90
<b>98W</b>	recograin walnut, flat cut, low sheen <span style="border: 1px solid black; padding: 0 2px;">A</span>	-\$90
<b>99G</b>	recograin wenge, quarter cut, low sheen <span style="border: 1px solid black; padding: 0 2px;">A</span>	-\$90
<b>99K</b>	recograin oak, quarter cut, low sheen <span style="border: 1px solid black; padding: 0 2px;">A</span>	-\$90
<b>99W</b>	recograin walnut, quarter cut, low sheen <span style="border: 1px solid black; padding: 0 2px;">A</span>	-\$90

Full Round Table *continued*

*For 24" square x 17" high (-2424)*

<b>931</b>	champagne anigre (natural) <span style="border: 1px solid black; padding: 0 2px;">A</span>	+\$330
<b>932</b>	sundance anigre <span style="border: 1px solid black; padding: 0 2px;">A</span>	+\$330
<b>933</b>	caramel anigre <span style="border: 1px solid black; padding: 0 2px;">A</span>	+\$330
<b>934</b>	henna anigre <span style="border: 1px solid black; padding: 0 2px;">A</span>	+\$330
<b>941</b>	natural beech <span style="border: 1px solid black; padding: 0 2px;">A</span>	+\$0
<b>942</b>	sundance cherry (natural) <span style="border: 1px solid black; padding: 0 2px;">A</span>	+\$0
<b>943</b>	caramel cherry <span style="border: 1px solid black; padding: 0 2px;">A</span>	+\$0
<b>946</b>	cocoa cherry <span style="border: 1px solid black; padding: 0 2px;">A</span>	+\$0
<b>951</b>	natural anigre <span style="border: 1px solid black; padding: 0 2px;">A</span>	+\$714
<b>956</b>	cocoa sapele <span style="border: 1px solid black; padding: 0 2px;">A</span>	+\$0
<b>962</b>	toasted walnut, low sheen <span style="border: 1px solid black; padding: 0 2px;">A</span>	+\$0
<b>963</b>	charred walnut, low sheen <span style="border: 1px solid black; padding: 0 2px;">A</span>	+\$0
<b>964</b>	bronzed walnut, low sheen <span style="border: 1px solid black; padding: 0 2px;">A</span>	+\$0
<b>965</b>	smoked walnut, low sheen <span style="border: 1px solid black; padding: 0 2px;">A</span>	+\$0
<b>966</b>	coffee walnut, low sheen <span style="border: 1px solid black; padding: 0 2px;">A</span>	+\$0
<b>967</b>	smoked paldao, low sheen <span style="border: 1px solid black; padding: 0 2px;">A</span>	+\$268
<b>969</b>	warm paldao, low sheen <span style="border: 1px solid black; padding: 0 2px;">A</span>	+\$268
<b>972</b>	sundance walnut <span style="border: 1px solid black; padding: 0 2px;">A</span>	+\$0
<b>977</b>	chocolate ash, low sheen <span style="border: 1px solid black; padding: 0 2px;">A</span>	+\$0
<b>978</b>	natural oak <span style="border: 1px solid black; padding: 0 2px;">A</span>	+\$0
<b>981</b>	champagne hickory (natural) <span style="border: 1px solid black; padding: 0 2px;">A</span>	+\$0
<b>98R</b>	recograin rosewood <span style="border: 1px solid black; padding: 0 2px;">A</span>	+\$0
<b>991</b>	champagne ash <span style="border: 1px solid black; padding: 0 2px;">A</span>	+\$0
<b>998</b>	ebony ash <span style="border: 1px solid black; padding: 0 2px;">A</span>	+\$0
<b>99A</b>	recograin frosty ash <span style="border: 1px solid black; padding: 0 2px;">A</span>	+\$0
<b>99R</b>	recograin rosewood <span style="border: 1px solid black; padding: 0 2px;">A</span>	+\$0
<b>99T</b>	recograin teak <span style="border: 1px solid black; padding: 0 2px;">A</span>	+\$0
<b>9A1</b>	white ash, quarter cut, low sheen <span style="border: 1px solid black; padding: 0 2px;">A</span>	+\$0
<b>9K1</b>	rift oak, rift cut, low sheen <span style="border: 1px solid black; padding: 0 2px;">A</span>	+\$0
<b>9K6</b>	burnt oak, rift cut, low sheen <span style="border: 1px solid black; padding: 0 2px;">A</span>	+\$0
<b>ED</b>	aged cherry <span style="border: 1px solid black; padding: 0 2px;">A</span>	+\$0
<b>EK</b>	medium red walnut <span style="border: 1px solid black; padding: 0 2px;">A</span>	+\$0
<b>G2U</b>	light brown walnut, low sheen <span style="border: 1px solid black; padding: 0 2px;">A</span>	+\$0
<b>G40</b>	dark brown walnut, low sheen <span style="border: 1px solid black; padding: 0 2px;">A</span>	+\$0
<b>UX</b>	walnut on cherry <span style="border: 1px solid black; padding: 0 2px;">A</span>	+\$0

*For 30" square x 17" high (-3030)*

<b>662</b>	toasted walnut, matte sheen <span style="border: 1px solid black; padding: 0 2px;">A</span>	+\$0
<b>663</b>	charred walnut, matte sheen <span style="border: 1px solid black; padding: 0 2px;">A</span>	+\$0
<b>664</b>	bronzed walnut, matte sheen <span style="border: 1px solid black; padding: 0 2px;">A</span>	+\$0
<b>665</b>	smoked walnut, matte sheen <span style="border: 1px solid black; padding: 0 2px;">A</span>	+\$0
<b>666</b>	coffee walnut, matte sheen <span style="border: 1px solid black; padding: 0 2px;">A</span>	+\$0
<b>667</b>	smoked paldao, quarter cut, matte sheen <span style="border: 1px solid black; padding: 0 2px;">A</span>	+\$322
<b>669</b>	warm paldao, quarter cut, matte sheen <span style="border: 1px solid black; padding: 0 2px;">A</span>	+\$322
<b>66A</b>	recograin frosty ash <span style="border: 1px solid black; padding: 0 2px;">A</span>	+\$0
<b>677</b>	chocolate ash, matte sheen <span style="border: 1px solid black; padding: 0 2px;">A</span>	+\$0
<b>678</b>	natural oak <span style="border: 1px solid black; padding: 0 2px;">A</span>	+\$0
<b>68R</b>	recograin rosewood <span style="border: 1px solid black; padding: 0 2px;">A</span>	+\$0
<b>69A</b>	recograin frosty ash <span style="border: 1px solid black; padding: 0 2px;">A</span>	+\$0
<b>69R</b>	recograin rosewood <span style="border: 1px solid black; padding: 0 2px;">A</span>	+\$0
<b>69T</b>	recograin teak <span style="border: 1px solid black; padding: 0 2px;">A</span>	+\$0
<b>6A1</b>	white ash <span style="border: 1px solid black; padding: 0 2px;">A</span>	+\$0
<b>6K1</b>	rift oak <span style="border: 1px solid black; padding: 0 2px;">A</span>	+\$0
<b>6K6</b>	burnt oak <span style="border: 1px solid black; padding: 0 2px;">A</span>	+\$0
<b>ET</b>	clear on ash <span style="border: 1px solid black; padding: 0 2px;">A</span>	+\$0
<b>EU</b>	oak on ash <span style="border: 1px solid black; padding: 0 2px;">A</span>	+\$0
<b>EV</b>	walnut on ash <span style="border: 1px solid black; padding: 0 2px;">A</span>	+\$0
<b>GOU</b>	natural walnut, flat cut, matte sheen <span style="border: 1px solid black; padding: 0 2px;">A</span>	+\$0

*For 30" square x 17" high (-3030)*

<b>66G</b>	recograin wenge <span style="border: 1px solid black; padding: 0 2px;">A</span>	-\$108
<b>68W</b>	recograin walnut, flat cut, matte sheen <span style="border: 1px solid black; padding: 0 2px;">A</span>	-\$108
<b>69G</b>	recograin wenge <span style="border: 1px solid black; padding: 0 2px;">A</span>	-\$108
<b>69K</b>	recograin oak, quarter cut, matte sheen <span style="border: 1px solid black; padding: 0 2px;">A</span>	-\$108
<b>69W</b>	recograin walnut, quarter cut, matte sheen <span style="border: 1px solid black; padding: 0 2px;">A</span>	-\$108

*For 30" square x 17" high (-3030)*

<b>96G</b>	wenge recograin, quarter cut, low sheen <span style="border: 1px solid black; padding: 0 2px;">A</span>	-\$108
<b>98W</b>	recograin walnut, flat cut, low sheen <span style="border: 1px solid black; padding: 0 2px;">A</span>	-\$108
<b>99G</b>	recograin wenge, quarter cut, low sheen <span style="border: 1px solid black; padding: 0 2px;">A</span>	-\$108
<b>99K</b>	recograin oak, quarter cut, low sheen <span style="border: 1px solid black; padding: 0 2px;">A</span>	-\$108
<b>99W</b>	recograin walnut, quarter cut, low sheen <span style="border: 1px solid black; padding: 0 2px;">A</span>	-\$108

*For 30" square x 17" high (-3030)*

<b>931</b>	champagne anigre (natural) <span style="border: 1px solid black; padding: 0 2px;">A</span>	+\$397
<b>932</b>	sundance anigre <span style="border: 1px solid black; padding: 0 2px;">A</span>	+\$397
<b>933</b>	caramel anigre <span style="border: 1px solid black; padding: 0 2px;">A</span>	+\$397
<b>934</b>	henna anigre <span style="border: 1px solid black; padding: 0 2px;">A</span>	+\$397
<b>941</b>	natural beech <span style="border: 1px solid black; padding: 0 2px;">A</span>	+\$0
<b>942</b>	sundance cherry (natural) <span style="border: 1px solid black; padding: 0 2px;">A</span>	+\$0
<b>943</b>	caramel cherry <span style="border: 1px solid black; padding: 0 2px;">A</span>	+\$0
<b>946</b>	cocoa cherry <span style="border: 1px solid black; padding: 0 2px;">A</span>	+\$0
<b>951</b>	natural anigre <span style="border: 1px solid black; padding: 0 2px;">A</span>	+\$857

956	cocoa sapele [A]	+\$0
962	toasted walnut, low sheen [A]	+\$0
963	charred walnut, low sheen [A]	+\$0
964	bronzed walnut, low sheen [A]	+\$0
965	smoked walnut, low sheen [A]	+\$0
966	coffee walnut, low sheen [A]	+\$0
967	smoked paldao, low sheen [A]	+\$322
969	warm paldao, low sheen [A]	+\$322
972	sundance walnut [A]	+\$0
977	chocolate ash, low sheen [A]	+\$0
978	natural oak [A]	+\$0
981	champagne hickory (natural) [A]	+\$0
98R	recograin rosewood [A]	+\$0
991	champagne ash [A]	+\$0
998	ebony ash [A]	+\$0
99A	recograin frosty ash [A]	+\$0
99R	recograin rosewood [A]	+\$0
99T	recograin teak [A]	+\$0
9A1	white ash, quarter cut, low sheen [A]	+\$0
9K1	rift oak, rift cut, low sheen [A]	+\$0
9K6	burnt oak, rift cut, low sheen [A]	+\$0
ED	aged cherry [A]	+\$0
EK	medium red walnut [A]	+\$0
G2U	light brown walnut, low sheen [A]	+\$0
G40	dark brown walnut, low sheen [A]	+\$0
UX	walnut on cherry [A]	+\$0

---

*For 30" deep x 20" wide x 17" high (-3020)*

662	toasted walnut, matte sheen [A]	+\$0
663	charred walnut, matte sheen [A]	+\$0
664	bronzed walnut, matte sheen [A]	+\$0
665	smoked walnut, matte sheen [A]	+\$0
666	coffee walnut, matte sheen [A]	+\$0
667	smoked paldao, quarter cut, matte sheen [A]	+\$293
669	warm paldao, quarter cut, matte sheen [A]	+\$293
66A	recograin frosty ash [A]	+\$0
677	chocolate ash, matte sheen [A]	+\$0
678	natural oak [A]	+\$0
68R	recograin rosewood [A]	+\$0
69A	recograin frosty ash [A]	+\$0
69R	recograin rosewood [A]	+\$0
69T	recograin teak [A]	+\$0
6A1	white ash [A]	+\$0
6K1	rift oak [A]	+\$0
6K6	burnt oak [A]	+\$0
ET	clear on ash [A]	+\$0
EU	oak on ash [A]	+\$0
EV	walnut on ash [A]	+\$0
GOU	natural walnut, flat cut, matte sheen [A]	+\$0

---

*For 30" deep x 20" wide x 17" high (-3020)*

66G	recograin wenge [A]	-\$98
68W	recograin walnut, flat cut, matte sheen [A]	-\$98
69G	recograin wenge [A]	-\$98
69K	recograin oak, quarter cut, matte sheen [A]	-\$98
69W	recograin walnut, quarter cut, matte sheen [A]	-\$98

---

*For 30" deep x 20" wide x 17" high (-3020)*

96G	wenge recograin, quarter cut, low sheen [A]	-\$98
98W	recograin walnut, flat cut, low sheen [A]	-\$98
99G	recograin wenge, quarter cut, low sheen [A]	-\$98
99K	recograin oak, quarter cut, low sheen [A]	-\$98
99W	recograin walnut, quarter cut, low sheen [A]	-\$98

---

*For 30" deep x 20" wide x 17" high (-3020)*

931	champagne anigre (natural) [A]	+\$364
932	sundance anigre [A]	+\$364
933	caramel anigre [A]	+\$364
934	henna anigre [A]	+\$364
941	natural beech [A]	+\$0
942	sundance cherry (natural) [A]	+\$0
943	caramel cherry [A]	+\$0
946	cocoa cherry [A]	+\$0
951	natural anigre [A]	+\$781

Full Round Table *continued*

956	cocoa sapele <span style="border: 1px solid black; padding: 0 2px;">A</span>	+\$0
962	toasted walnut, low sheen <span style="border: 1px solid black; padding: 0 2px;">A</span>	+\$0
963	charred walnut, low sheen <span style="border: 1px solid black; padding: 0 2px;">A</span>	+\$0
964	bronzed walnut, low sheen <span style="border: 1px solid black; padding: 0 2px;">A</span>	+\$0
965	smoked walnut, low sheen <span style="border: 1px solid black; padding: 0 2px;">A</span>	+\$0
966	coffee walnut, low sheen <span style="border: 1px solid black; padding: 0 2px;">A</span>	+\$0
967	smoked paldao, low sheen <span style="border: 1px solid black; padding: 0 2px;">A</span>	+\$293
969	warm paldao, low sheen <span style="border: 1px solid black; padding: 0 2px;">A</span>	+\$293
972	sundance walnut <span style="border: 1px solid black; padding: 0 2px;">A</span>	+\$0
977	chocolate ash, low sheen <span style="border: 1px solid black; padding: 0 2px;">A</span>	+\$0
978	natural oak <span style="border: 1px solid black; padding: 0 2px;">A</span>	+\$0
981	champagne hickory (natural) <span style="border: 1px solid black; padding: 0 2px;">A</span>	+\$0
98R	recograin rosewood <span style="border: 1px solid black; padding: 0 2px;">A</span>	+\$0
991	champagne ash <span style="border: 1px solid black; padding: 0 2px;">A</span>	+\$0
998	ebony ash <span style="border: 1px solid black; padding: 0 2px;">A</span>	+\$0
99A	recograin frosty ash <span style="border: 1px solid black; padding: 0 2px;">A</span>	+\$0
99R	recograin rosewood <span style="border: 1px solid black; padding: 0 2px;">A</span>	+\$0
99T	recograin teak <span style="border: 1px solid black; padding: 0 2px;">A</span>	+\$0
9A1	white ash, quarter cut, low sheen <span style="border: 1px solid black; padding: 0 2px;">A</span> <span style="border: 1px solid black; padding: 0 2px;">A</span>	+\$0
9K1	rift oak, rift cut, low sheen <span style="border: 1px solid black; padding: 0 2px;">A</span>	+\$0
9K6	burnt oak, rift cut, low sheen <span style="border: 1px solid black; padding: 0 2px;">A</span>	+\$0
ED	aged cherry <span style="border: 1px solid black; padding: 0 2px;">A</span>	+\$0
EK	medium red walnut <span style="border: 1px solid black; padding: 0 2px;">A</span>	+\$0
G2U	light brown walnut, low sheen <span style="border: 1px solid black; padding: 0 2px;">A</span>	+\$0
G40	dark brown walnut, low sheen <span style="border: 1px solid black; padding: 0 2px;">A</span>	+\$0
UX	walnut on cherry <span style="border: 1px solid black; padding: 0 2px;">A</span>	+\$0

*For 40" deep x 20" wide x 17" high (-4020)*

662	toasted walnut, matte sheen <span style="border: 1px solid black; padding: 0 2px;">A</span>	+\$0
663	charred walnut, matte sheen <span style="border: 1px solid black; padding: 0 2px;">A</span>	+\$0
664	bronzed walnut, matte sheen <span style="border: 1px solid black; padding: 0 2px;">A</span>	+\$0
665	smoked walnut, matte sheen <span style="border: 1px solid black; padding: 0 2px;">A</span>	+\$0
666	coffee walnut, matte sheen <span style="border: 1px solid black; padding: 0 2px;">A</span>	+\$0
667	smoked paldao, quarter cut, matte sheen <span style="border: 1px solid black; padding: 0 2px;">A</span>	+\$314
669	warm paldao, quarter cut, matte sheen <span style="border: 1px solid black; padding: 0 2px;">A</span>	+\$314
66A	recograin frosty ash <span style="border: 1px solid black; padding: 0 2px;">A</span>	+\$0
677	chocolate ash, matte sheen <span style="border: 1px solid black; padding: 0 2px;">A</span>	+\$0
678	natural oak <span style="border: 1px solid black; padding: 0 2px;">A</span>	+\$0
68R	recograin rosewood <span style="border: 1px solid black; padding: 0 2px;">A</span>	+\$0
69A	recograin frosty ash <span style="border: 1px solid black; padding: 0 2px;">A</span>	+\$0
69R	recograin rosewood <span style="border: 1px solid black; padding: 0 2px;">A</span>	+\$0
69T	recograin teak <span style="border: 1px solid black; padding: 0 2px;">A</span>	+\$0
6A1	white ash <span style="border: 1px solid black; padding: 0 2px;">A</span>	+\$0
6K1	rift oak <span style="border: 1px solid black; padding: 0 2px;">A</span>	+\$0
6K6	burnt oak <span style="border: 1px solid black; padding: 0 2px;">A</span>	+\$0
ET	clear on ash <span style="border: 1px solid black; padding: 0 2px;">A</span>	+\$0
EU	oak on ash <span style="border: 1px solid black; padding: 0 2px;">A</span>	+\$0
EV	walnut on ash <span style="border: 1px solid black; padding: 0 2px;">A</span>	+\$0
GOU	natural walnut, flat cut, matte sheen <span style="border: 1px solid black; padding: 0 2px;">A</span>	+\$0

*For 40" deep x 20" wide x 17" high (-4020)*

66G	recograin wenge <span style="border: 1px solid black; padding: 0 2px;">A</span>	-\$105
68W	recograin walnut, flat cut, matte sheen <span style="border: 1px solid black; padding: 0 2px;">A</span>	-\$105
69G	recograin wenge <span style="border: 1px solid black; padding: 0 2px;">A</span>	-\$105
69K	recograin oak, quarter cut, matte sheen <span style="border: 1px solid black; padding: 0 2px;">A</span>	-\$105
69W	recograin walnut, quarter cut, matte sheen <span style="border: 1px solid black; padding: 0 2px;">A</span>	-\$105

*For 40" deep x 20" wide x 17" high (-4020)*

96G	wenge recograin, quarter cut, low sheen <span style="border: 1px solid black; padding: 0 2px;">A</span>	-\$105
98W	recograin walnut, flat cut, low sheen <span style="border: 1px solid black; padding: 0 2px;">A</span>	-\$105
99G	recograin wenge, quarter cut, low sheen <span style="border: 1px solid black; padding: 0 2px;">A</span>	-\$105
99K	recograin oak, quarter cut, low sheen <span style="border: 1px solid black; padding: 0 2px;">A</span>	-\$105
99W	recograin walnut, quarter cut, low sheen <span style="border: 1px solid black; padding: 0 2px;">A</span>	-\$105

*For 40" deep x 20" wide x 17" high (-4020)*

931	champagne anigre (natural) <span style="border: 1px solid black; padding: 0 2px;">A</span>	+\$390
932	sundance anigre <span style="border: 1px solid black; padding: 0 2px;">A</span>	+\$390
933	caramel anigre <span style="border: 1px solid black; padding: 0 2px;">A</span>	+\$390
934	henna anigre <span style="border: 1px solid black; padding: 0 2px;">A</span>	+\$390
941	natural beech <span style="border: 1px solid black; padding: 0 2px;">A</span>	+\$0
942	sundance cherry (natural) <span style="border: 1px solid black; padding: 0 2px;">A</span>	+\$0
943	caramel cherry <span style="border: 1px solid black; padding: 0 2px;">A</span>	+\$0
946	cocoa cherry <span style="border: 1px solid black; padding: 0 2px;">A</span>	+\$0
951	natural anigre <span style="border: 1px solid black; padding: 0 2px;">A</span>	+\$835

## Full Round Table *continued*

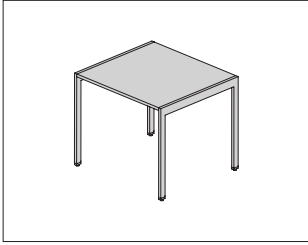
<b>956</b>	cocoa sapele <input type="checkbox"/>	+\$0
<b>962</b>	toasted walnut, low sheen <input type="checkbox"/>	+\$0
<b>963</b>	charred walnut, low sheen <input type="checkbox"/>	+\$0
<b>964</b>	bronzed walnut, low sheen <input type="checkbox"/>	+\$0
<b>965</b>	smoked walnut, low sheen <input type="checkbox"/>	+\$0
<b>966</b>	coffee walnut, low sheen <input type="checkbox"/>	+\$0
<b>967</b>	smoked paldao, low sheen <input type="checkbox"/>	+\$314
<b>969</b>	warm paldao, low sheen <input type="checkbox"/>	+\$314
<b>972</b>	sundance walnut <input type="checkbox"/>	+\$0
<b>977</b>	chocolate ash, low sheen <input type="checkbox"/>	+\$0
<b>978</b>	natural oak <input type="checkbox"/>	+\$0
<b>981</b>	champagne hickory (natural) <input type="checkbox"/>	+\$0
<b>98R</b>	recograin rosewood <input type="checkbox"/>	+\$0
<b>991</b>	champagne ash <input type="checkbox"/>	+\$0
<b>998</b>	ebony ash <input type="checkbox"/>	+\$0
<b>99A</b>	recograin frosty ash <input type="checkbox"/>	+\$0
<b>99R</b>	recograin rosewood <input type="checkbox"/>	+\$0
<b>99T</b>	recograin teak <input type="checkbox"/>	+\$0
<b>9A1</b>	white ash, quarter cut, low sheen <input type="checkbox"/>	+\$0
<b>9K1</b>	rift oak, rift cut, low sheen <input type="checkbox"/>	+\$0
<b>9K6</b>	burnt oak, rift cut, low sheen <input type="checkbox"/>	+\$0
<b>ED</b>	aged cherry <input type="checkbox"/>	+\$0
<b>EK</b>	medium red walnut <input type="checkbox"/>	+\$0
<b>G2U</b>	light brown walnut, low sheen <input type="checkbox"/>	+\$0
<b>G40</b>	dark brown walnut, low sheen <input type="checkbox"/>	+\$0
<b>UX</b>	walnut on cherry <input type="checkbox"/>	+\$0

### Step 4. Base Finish

<b>926</b>	black <input type="checkbox"/>	+\$0
<b>BNZ</b>	bronze <input type="checkbox"/>	+\$0
<b>CHR</b>	chrome <input type="checkbox"/>	+\$0
<b>EH</b>	metallic bronze <input type="checkbox"/>	+\$0
<b>MS</b>	metallic silver <input type="checkbox"/>	+\$0
<b>SAC</b>	satın chrome <input type="checkbox"/>	+\$0

# H-Frame Side Table

AWH2G  
AWH2S  
AWH2W



### Product Information

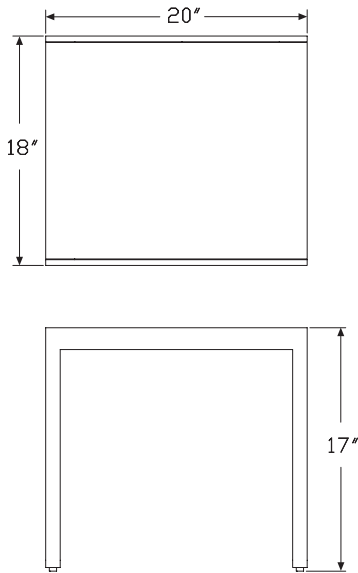
#### Description

This side table has a wood top and metal base. The dimensions are 18" deep, 20" wide, and 17" high.

#### Notes

Santos palisander veneer is celebrated for its unique grain and color variations. Similar products ordered in multiples or dissimilar products ordered separately should be expected to have variation in both grain and color characteristics; no two products will look exactly alike.

#### Dimensions



HermanMiller Collection—Occasional Tables

### Specification Information

#### Step 1.

**AWH2**

#### Step 2. Top Material

- W** wood top
- G** glass top
- S** stone top

#### Step 3. Dimensions

**-1820** 18" deep x 20" wide x 17" high side table

#### Prices for Steps 1-3.

<b>AWH2W -1820</b>	\$1945
<b>AWH2G -1820</b>	\$1470
<b>AWH2S -1820</b>	\$2575

#### Step 4. Top Finish

#### Premium Veneer - Low Sheen

#### For wood top (W)

<b>931</b>	champagne anigre (natural) <input type="checkbox"/>	+\$342
<b>932</b>	sundance anigre <input type="checkbox"/>	+\$342
<b>933</b>	caramel anigre <input type="checkbox"/>	+\$342
<b>934</b>	henna anigre <input type="checkbox"/>	+\$342
<b>940</b>	sundance cherry on maple <input type="checkbox"/>	+\$0
<b>941</b>	natural beech <input type="checkbox"/>	+\$0
<b>942</b>	sundance cherry (natural) <input type="checkbox"/>	+\$0
<b>943</b>	caramel cherry <input type="checkbox"/>	+\$0
<b>946</b>	cocoa cherry <input type="checkbox"/>	+\$0
<b>951</b>	natural anigre <input type="checkbox"/>	+\$755
<b>956</b>	cocoa sapele <input type="checkbox"/>	+\$0
<b>962</b>	toasted walnut, low sheen <input type="checkbox"/>	+\$0
<b>963</b>	charred walnut, low sheen <input type="checkbox"/>	+\$0
<b>964</b>	bronzed walnut, low sheen <input type="checkbox"/>	+\$0
<b>965</b>	smoked walnut, low sheen <input type="checkbox"/>	+\$0
<b>966</b>	coffee walnut, low sheen <input type="checkbox"/>	+\$0
<b>967</b>	smoked paldao, low sheen <input type="checkbox"/>	+\$283
<b>969</b>	warm paldao, low sheen <input type="checkbox"/>	+\$283
<b>972</b>	sundance walnut <input type="checkbox"/>	+\$0
<b>977</b>	chocolate ash, low sheen <input type="checkbox"/>	+\$0
<b>978</b>	natural oak <input type="checkbox"/>	+\$0
<b>981</b>	champagne hickory (natural) <input type="checkbox"/>	+\$0
<b>98R</b>	recograin rosewood <input type="checkbox"/>	+\$0
<b>991</b>	champagne ash <input type="checkbox"/>	+\$0

## H-Frame Side Table *continued*

<b>998</b>	ebony ash <input type="checkbox"/>	+\$0
<b>99A</b>	recograin frosty ash <input type="checkbox"/>	+\$0
<b>99R</b>	recograin rosewood <input type="checkbox"/>	+\$0
<b>99T</b>	recograin teak <input type="checkbox"/>	+\$0
<b>9A1</b>	white ash, quarter cut, low sheen <input type="checkbox"/>	+\$0
<b>9K1</b>	rift oak, rift cut, low sheen <input type="checkbox"/>	+\$0
<b>9K6</b>	burnt oak, rift cut, low sheen <input type="checkbox"/>	+\$0
<b>ED</b>	aged cherry <input type="checkbox"/>	+\$0
<b>EK</b>	medium red walnut <input type="checkbox"/>	+\$0
<b>G2U</b>	light brown walnut, low sheen <input type="checkbox"/>	+\$0
<b>G40</b>	dark brown walnut, low sheen <input type="checkbox"/>	+\$0
<b>UX</b>	walnut on cherry <input type="checkbox"/>	+\$0

### Premium Veneer - Matte

#### For wood top (W)

<b>662</b>	toasted walnut, matte sheen <input type="checkbox"/>	+\$0
<b>663</b>	charred walnut, matte sheen <input type="checkbox"/>	+\$0
<b>664</b>	bronzed walnut, matte sheen <input type="checkbox"/>	+\$0
<b>665</b>	smoked walnut, matte sheen <input type="checkbox"/>	+\$0
<b>666</b>	coffee walnut, matte sheen <input type="checkbox"/>	+\$0
<b>667</b>	smoked paldao, quarter cut, matte sheen <input type="checkbox"/>	+\$283
<b>669</b>	warm paldao, quarter cut, matte sheen <input type="checkbox"/>	+\$283
<b>66A</b>	recograin frosty ash <input type="checkbox"/>	+\$0
<b>677</b>	chocolate ash, matte sheen <input type="checkbox"/>	+\$0
<b>678</b>	natural oak <input type="checkbox"/>	+\$0
<b>68R</b>	recograin rosewood <input type="checkbox"/>	+\$0
<b>69A</b>	recograin frosty ash <input type="checkbox"/>	+\$0
<b>69R</b>	recograin rosewood <input type="checkbox"/>	+\$0
<b>69T</b>	recograin teak <input type="checkbox"/>	+\$0
<b>6A1</b>	white ash <input type="checkbox"/>	+\$0
<b>6K1</b>	rift oak <input type="checkbox"/>	+\$0
<b>6K6</b>	burnt oak <input type="checkbox"/>	+\$0
<b>ET</b>	clear on ash <input type="checkbox"/>	+\$0
<b>EU</b>	oak on ash <input type="checkbox"/>	+\$0
<b>EV</b>	walnut on ash <input type="checkbox"/>	+\$0
<b>GOU</b>	natural walnut, flat cut, matte sheen <input type="checkbox"/>	+\$0

### RecoGrain Veneer

#### For wood top (W)

<b>66G</b>	recograin wenge <input type="checkbox"/>	-\$95
<b>68W</b>	recograin walnut, flat cut, matte sheen <input type="checkbox"/>	-\$95
<b>69G</b>	recograin wenge <input type="checkbox"/>	-\$95
<b>69K</b>	recograin oak, quarter cut, matte sheen <input type="checkbox"/>	-\$95
<b>69W</b>	recograin walnut, quarter cut, matte sheen <input type="checkbox"/>	-\$95

### Recon Veneer -

#### For wood top (W)

<b>96G</b>	wenge recograin, quarter cut, low sheen <input type="checkbox"/>	-\$95
<b>98W</b>	recograin walnut, flat cut, low sheen <input type="checkbox"/>	-\$95
<b>99G</b>	recograin wenge, quarter cut, low sheen <input type="checkbox"/>	-\$95
<b>99K</b>	recograin oak, quarter cut, low sheen <input type="checkbox"/>	-\$95
<b>99W</b>	recograin walnut, quarter cut, low sheen <input type="checkbox"/>	-\$95

### Glass

#### For glass top (G)

<b>CGL</b>	clear glass <input type="checkbox"/>	+\$0
<b>GE1</b>	etched glass <input type="checkbox"/>	+\$127

#### For stone top (S)

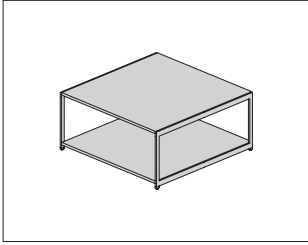
<b>200</b>	perfato marble <input type="checkbox"/>	+\$0
<b>250</b>	verde antique marble <input type="checkbox"/>	+\$0
<b>400</b>	black granite <input type="checkbox"/>	+\$0
<b>5U</b>	georgia grey marble <input type="checkbox"/>	+\$0
<b>800</b>	autumn brown granite <input type="checkbox"/>	+\$0
<b>960</b>	white carrara marble <input type="checkbox"/>	+\$0
<b>HR</b>	wisconsin black marble <input type="checkbox"/>	+\$0

### Step 5. Metal Finish

<b>BNZ</b>	bronze <input type="checkbox"/>	+\$0
<b>CHR</b>	chrome <input type="checkbox"/>	+\$0
<b>SAC</b>	satin chrome <input type="checkbox"/>	+\$0

# H-Frame Coffee Table

AWH2G  
AWH2S  
AWH2W



## Product Information

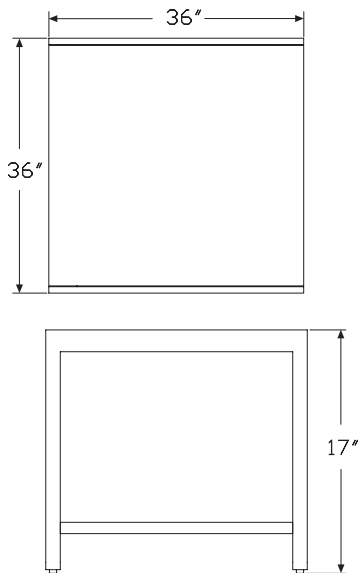
### Description

This coffee table has a wood top and metal base. The dimensions are 36" deep, 36" wide, and 17" high.

### Notes

Santos palisander veneer is celebrated for its unique grain and color variations. Similar products ordered in multiples or dissimilar products ordered separately should be expected to have variation in both grain and color characteristics; no two products will look exactly alike.

### Dimensions



HermanMiller Collection—Occasional Tables

## Specification Information

### Step 1.

**AWH2**

### Step 2. Top Material

- W** wood top
- G** glass top
- S** stone top

### Step 3. Dimensions

**-3636** 36" deep x 36" wide x 17" high coffee table

### Prices for Steps 1-3.

<b>AWH2W -3636</b>	\$3520
<b>AWH2G -3636</b>	\$3145
<b>AWH2S -3636</b>	\$6725

### Step 4. Top Finish

#### For wood top (W)

<b>931</b>	champagne anigre (natural) <input type="checkbox"/>	+\$587
<b>932</b>	sundance anigre <input type="checkbox"/>	+\$587
<b>933</b>	caramel anigre <input type="checkbox"/>	+\$587
<b>934</b>	henna anigre <input type="checkbox"/>	+\$587
<b>941</b>	natural beech <input type="checkbox"/>	+\$0
<b>942</b>	sundance cherry (natural) <input type="checkbox"/>	+\$0
<b>943</b>	caramel cherry <input type="checkbox"/>	+\$0
<b>946</b>	cocoa cherry <input type="checkbox"/>	+\$0
<b>951</b>	natural anigre <input type="checkbox"/>	+\$1368
<b>956</b>	cocoa sapele <input type="checkbox"/>	+\$0
<b>962</b>	toasted walnut, low sheen <input type="checkbox"/>	+\$0
<b>963</b>	charred walnut, low sheen <input type="checkbox"/>	+\$0
<b>964</b>	bronzed walnut, low sheen <input type="checkbox"/>	+\$0
<b>965</b>	smoked walnut, low sheen <input type="checkbox"/>	+\$0
<b>966</b>	coffee walnut, low sheen <input type="checkbox"/>	+\$0
<b>967</b>	smoked paldao, low sheen <input type="checkbox"/>	+\$513
<b>969</b>	warm paldao, low sheen <input type="checkbox"/>	+\$513
<b>972</b>	sundance walnut <input type="checkbox"/>	+\$0
<b>977</b>	chocolate ash, low sheen <input type="checkbox"/>	+\$0
<b>978</b>	natural oak <input type="checkbox"/>	+\$0
<b>981</b>	champagne hickory (natural) <input type="checkbox"/>	+\$0
<b>98R</b>	recograin rosewood <input type="checkbox"/>	+\$0
<b>991</b>	champagne ash <input type="checkbox"/>	+\$0
<b>998</b>	ebony ash <input type="checkbox"/>	+\$0
<b>99A</b>	recograin frosty ash <input type="checkbox"/>	+\$0



H-Frame Coffee Table *continued*

<b>99R</b>	recograin rosewood <span style="border: 1px solid black; padding: 0 2px;">A</span>	+\$0
<b>99T</b>	recograin teak <span style="border: 1px solid black; padding: 0 2px;">A</span>	+\$0
<b>9A1</b>	white ash, quarter cut, low sheen <span style="border: 1px solid black; padding: 0 2px;">A</span> <span style="border: 1px solid black; padding: 0 2px;">A</span>	+\$0
<b>9K1</b>	rift oak, rift cut, low sheen <span style="border: 1px solid black; padding: 0 2px;">A</span>	+\$0
<b>9K6</b>	burnt oak, rift cut, low sheen <span style="border: 1px solid black; padding: 0 2px;">A</span>	+\$0
<b>ED</b>	aged cherry <span style="border: 1px solid black; padding: 0 2px;">A</span>	+\$0
<b>EK</b>	medium red walnut <span style="border: 1px solid black; padding: 0 2px;">A</span>	+\$0
<b>G2U</b>	light brown walnut, low sheen <span style="border: 1px solid black; padding: 0 2px;">A</span>	+\$0
<b>G40</b>	dark brown walnut, low sheen <span style="border: 1px solid black; padding: 0 2px;">A</span>	+\$0
<b>UX</b>	walnut on cherry <span style="border: 1px solid black; padding: 0 2px;">A</span>	+\$0

*For wood top (W)*

<b>662</b>	toasted walnut, matte sheen <span style="border: 1px solid black; padding: 0 2px;">A</span>	+\$0
<b>663</b>	charred walnut, matte sheen <span style="border: 1px solid black; padding: 0 2px;">A</span>	+\$0
<b>664</b>	bronzed walnut, matte sheen <span style="border: 1px solid black; padding: 0 2px;">A</span>	+\$0
<b>665</b>	smoked walnut, matte sheen <span style="border: 1px solid black; padding: 0 2px;">A</span>	+\$0
<b>666</b>	coffee walnut, matte sheen <span style="border: 1px solid black; padding: 0 2px;">A</span>	+\$0
<b>667</b>	smoked paldao, quarter cut, matte sheen <span style="border: 1px solid black; padding: 0 2px;">A</span>	+\$513
<b>669</b>	warm paldao, quarter cut, matte sheen <span style="border: 1px solid black; padding: 0 2px;">A</span>	+\$513
<b>66A</b>	recograin frosty ash <span style="border: 1px solid black; padding: 0 2px;">A</span>	+\$0
<b>677</b>	chocolate ash, matte sheen <span style="border: 1px solid black; padding: 0 2px;">A</span>	+\$0
<b>678</b>	natural oak <span style="border: 1px solid black; padding: 0 2px;">A</span>	+\$0
<b>68R</b>	recograin rosewood <span style="border: 1px solid black; padding: 0 2px;">A</span>	+\$0
<b>69A</b>	recograin frosty ash <span style="border: 1px solid black; padding: 0 2px;">A</span>	+\$0
<b>69R</b>	recograin rosewood <span style="border: 1px solid black; padding: 0 2px;">A</span>	+\$0
<b>69T</b>	recograin teak <span style="border: 1px solid black; padding: 0 2px;">A</span>	+\$0
<b>6A1</b>	white ash <span style="border: 1px solid black; padding: 0 2px;">A</span>	+\$0
<b>6K1</b>	rift oak <span style="border: 1px solid black; padding: 0 2px;">A</span>	+\$0
<b>6K6</b>	burnt oak <span style="border: 1px solid black; padding: 0 2px;">A</span>	+\$0
<b>ET</b>	clear on ash <span style="border: 1px solid black; padding: 0 2px;">A</span>	+\$0
<b>EU</b>	oak on ash <span style="border: 1px solid black; padding: 0 2px;">A</span>	+\$0
<b>EV</b>	walnut on ash <span style="border: 1px solid black; padding: 0 2px;">A</span>	+\$0
<b>GOU</b>	natural walnut, flat cut, matte sheen <span style="border: 1px solid black; padding: 0 2px;">A</span>	+\$0

*For wood top (W)*

<b>66G</b>	recograin wenge <span style="border: 1px solid black; padding: 0 2px;">A</span>	-\$171
<b>68W</b>	recograin walnut, flat cut, matte sheen <span style="border: 1px solid black; padding: 0 2px;">A</span>	-\$171
<b>69G</b>	recograin wenge <span style="border: 1px solid black; padding: 0 2px;">A</span>	-\$171
<b>69K</b>	recograin oak, quarter cut, matte sheen <span style="border: 1px solid black; padding: 0 2px;">A</span>	-\$171
<b>69W</b>	recograin walnut, quarter cut, matte sheen <span style="border: 1px solid black; padding: 0 2px;">A</span>	-\$171

*For wood top (W)*

<b>96G</b>	wenge recograin, quarter cut, low sheen <span style="border: 1px solid black; padding: 0 2px;">A</span>	-\$171
<b>98W</b>	recograin walnut, flat cut, low sheen <span style="border: 1px solid black; padding: 0 2px;">A</span>	-\$171
<b>99G</b>	recograin wenge, quarter cut, low sheen <span style="border: 1px solid black; padding: 0 2px;">A</span>	-\$171
<b>99K</b>	recograin oak, quarter cut, low sheen <span style="border: 1px solid black; padding: 0 2px;">A</span>	-\$171
<b>99W</b>	recograin walnut, quarter cut, low sheen <span style="border: 1px solid black; padding: 0 2px;">A</span>	-\$171

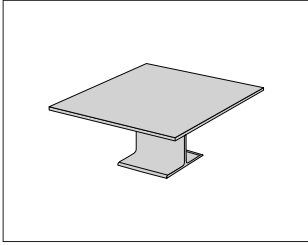
Glass		
<i>For glass top (G)</i>		
<b>CGL</b>	clear glass <span style="border: 1px solid black; padding: 0 2px;">A</span>	+\$0
<b>GE1</b>	etched glass <span style="border: 1px solid black; padding: 0 2px;">A</span>	+\$127

Stone		
<i>For stone top (S)</i>		
<b>200</b>	perfato marble <span style="border: 1px solid black; padding: 0 2px;">A</span>	+\$0
<b>250</b>	verde antique marble <span style="border: 1px solid black; padding: 0 2px;">A</span>	+\$0
<b>400</b>	black granite <span style="border: 1px solid black; padding: 0 2px;">A</span>	+\$0
<b>5U</b>	georgia grey marble <span style="border: 1px solid black; padding: 0 2px;">A</span>	+\$0
<b>800</b>	autumn brown granite <span style="border: 1px solid black; padding: 0 2px;">A</span>	+\$0
<b>960</b>	white carrara marble <span style="border: 1px solid black; padding: 0 2px;">A</span>	+\$0
<b>HR</b>	wisconsin black marble <span style="border: 1px solid black; padding: 0 2px;">A</span>	+\$0

Step 5. Metal Finish		
<b>BNZ</b>	bronze <span style="border: 1px solid black; padding: 0 2px;">A</span>	+\$0
<b>CHR</b>	chrome <span style="border: 1px solid black; padding: 0 2px;">A</span>	+\$0
<b>SAC</b>	satin chrome <span style="border: 1px solid black; padding: 0 2px;">A</span>	+\$0

# I-Beam Coffee Table

AWB2G  
AWB2M

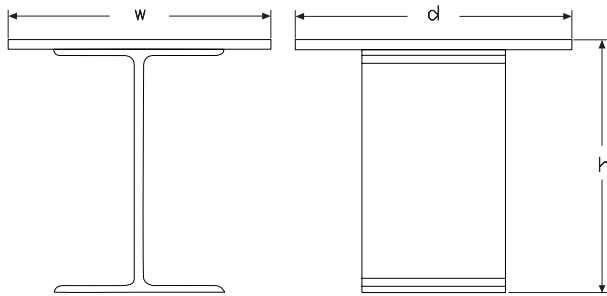


## Product Information

### Description

This coffee table has an aluminum base and glass top.

### Dimensions



HermanMiller Collection—Occasional Tables

## Specification Information

### Step 1.

AWB  A

### Step 2. Table Type

2 coffee table  A

### Step 3. Top Material

M marble top  A

G glass top  A

### Step 4. Size

#### For coffee table (2) with glass top (G)

-363615 36" deep x 36" wide x 15 1/4" high  A

-404015 40" deep x 40" wide x 15 1/4" high  A

#### For coffee table (2) with marble top (M)

-363616 36" deep x 36" wide x 16" high  A

-404016 40" deep x 40" wide x 16" high  A

### Prices for Steps 1-4.

AWB2M -363616 \$6015

-404016 \$6530

AWB2G -363615 \$3125

-404015 \$3305

### Step 5. Top Finish

#### For marble top (M)

200 perfato marble  A +\$0

250 verde antique marble  A +\$0

400 black granite  A +\$0

5U georgia grey marble  A +\$0

800 autumn brown granite  A +\$0

960 white carrara marble  A +\$0

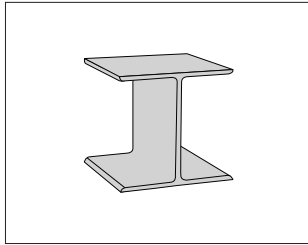
HR wisconsin black marble  A +\$0

#### For glass top (G)

CGL 3/4" thick clear glass  A +\$0

# I-Beam Side Table

AWB1Z

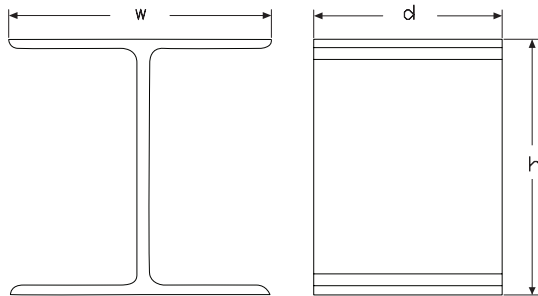


### Product Information

#### Description

This side table has an aluminum base and no top.

#### Dimensions



### Specification Information

#### Step 1.

**AWB**  A

#### Step 2. Table Type

**1** side table  A

#### Step 3. Top Material

**Z** no top  A

#### Step 4. Size

**-161615** 16" deep x 16" wide x 14 1/2" high  A

**-181815** 18" deep x 18" wide x 14 1/2" high  A

#### Prices for Steps 1-4.

**AWB1Z -161615**

\$2200

**-181815**

\$2465

# Girard Hexagonal Table

66353



## Product Information

### Description

This polished aluminum table has a 6-sided top and a splayed-leg base. The top is inscribed with a 3-dimensional pattern of triangles, giving it a unique textural feel. Legs have nonadjustable nylon glides.

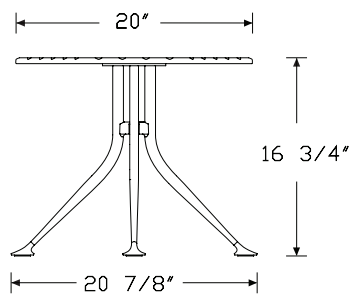
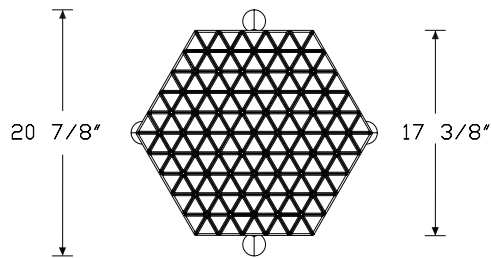
## Specification Information

### Step 1.

66353 A

\$931

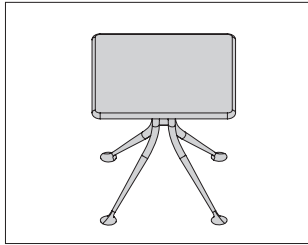
## Dimensions



HermanMiller Collection—Occasional Tables

# Girard Splayed Leg Table

66356

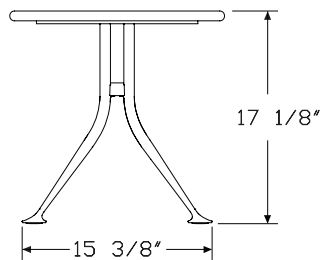
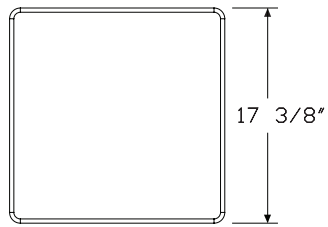


### Product Information

#### Description

This table has a marble top and a polished aluminum splayed-leg base. Legs have nonadjustable nylon glides.

#### Dimensions



### Specification Information

#### Step 1.

**66356** A \$2941

#### Step 2. Base Finish

**L** polished aluminum A +\$0

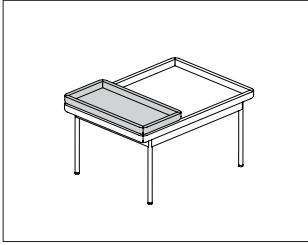
#### Step 3. Top Material Finish

**HR** wisconsin black marble A +\$556

Herman Miller Collection—Occasional Tables

# Tuxedo Component Lounge Tables Tray

AXT3-

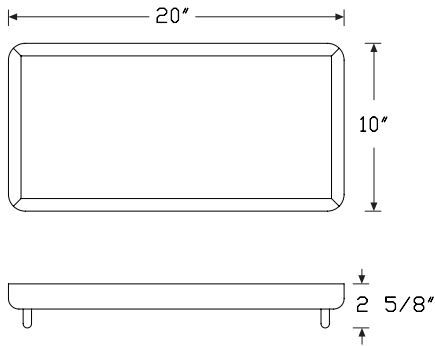


## Product Information

### Description

This tray comes in solid ash or walnut.

### Dimensions



HermanMiller Collection—Occasional Tables

## Specification Information

### Step 1.

**AXT3**

### Step 2. Depth

**-10** 10" deep

### Step 3. Width

**20** 20" wide

### Prices for Steps 1-3.

**AXT3-10 20** \$770

### Step 4. Wood Finish

#### Matte Finishes

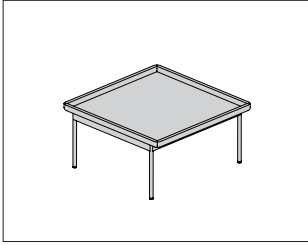
<b>662</b>	toasted walnut, matte sheen <input type="checkbox"/>	+\$0
<b>663</b>	charred walnut, matte sheen <input type="checkbox"/>	+\$0
<b>664</b>	bronzed walnut, matte sheen <input type="checkbox"/>	+\$0
<b>665</b>	smoked walnut, matte sheen <input type="checkbox"/>	+\$0
<b>666</b>	coffee walnut, matte sheen <input type="checkbox"/>	+\$0
<b>667</b>	smoked paldao, quarter cut, matte sheen <input type="checkbox"/>	+\$0
<b>669</b>	warm paldao, quarter cut, matte sheen <input type="checkbox"/>	+\$0
<b>66A</b>	recograin frosty ash <input type="checkbox"/>	+\$0
<b>677</b>	chocolate ash, matte sheen <input type="checkbox"/>	+\$0
<b>68R</b>	recograin rosewood <input type="checkbox"/>	+\$0
<b>69A</b>	recograin frosty ash <input type="checkbox"/>	+\$0
<b>69R</b>	recograin rosewood <input type="checkbox"/>	+\$0
<b>69T</b>	recograin teak <input type="checkbox"/>	+\$0
<b>6K1</b>	rift oak <input type="checkbox"/>	+\$0
<b>ET</b>	clear on ash <input type="checkbox"/>	+\$0
<b>EU</b>	oak on ash <input type="checkbox"/>	+\$0
<b>EV</b>	walnut on ash <input type="checkbox"/>	+\$0
<b>GOU</b>	natural walnut, flat cut, matte sheen <input type="checkbox"/>	+\$0
<b>6A1</b>	white ash <input type="checkbox"/>	+\$0
<b>6K6</b>	burnt oak <input type="checkbox"/>	+\$0
<b>932</b>	sundance anigre <input type="checkbox"/>	+\$0
<b>933</b>	caramel anigre <input type="checkbox"/>	+\$0
<b>934</b>	henna anigre <input type="checkbox"/>	+\$0
<b>940</b>	sundance cherry on maple <input type="checkbox"/>	+\$0
<b>962</b>	toasted walnut, low sheen <input type="checkbox"/>	+\$0
<b>963</b>	charred walnut, low sheen <input type="checkbox"/>	+\$0
<b>964</b>	bronzed walnut, low sheen <input type="checkbox"/>	+\$0
<b>965</b>	smoked walnut, low sheen <input type="checkbox"/>	+\$0
<b>966</b>	coffee walnut, low sheen <input type="checkbox"/>	+\$0
<b>967</b>	smoked paldao, low sheen <input type="checkbox"/>	+\$0
<b>969</b>	warm paldao, low sheen <input type="checkbox"/>	+\$0

# Tuxedo Component Lounge Tables Tray *continued*

972	sundance walnut	A	+\$0
977	chocolate ash, low sheen	A	+\$0
98R	recograin rosewood	A	+\$0
991	champagne ash	A	+\$0
99A	recograin frosty ash	A	+\$0
99R	recograin rosewood	A	+\$0
99T	recograin teak	A	+\$0
9A1	white ash, quarter cut, low sheen	A	+\$0
9K1	rift oak, rift cut, low sheen	A	+\$0
9K6	burnt oak, rift cut, low sheen	A	+\$0
G2U	light brown walnut, low sheen	A	+\$0
G40	dark brown walnut, low sheen	A	+\$0
UX	walnut on cherry	A	+\$0
943	caramel cherry	A	+\$0
946	cocoa cherry	A	+\$0
956	cocoa sapele	A	+\$0
998	ebony ash	A	+\$0
ED	aged cherry	A	+\$0
EK	medium red walnut	A	+\$0
66G	recograin wenge	A	+\$0
68W	recograin walnut, flat cut, matte sheen	A	+\$0
69G	recograin wenge	A	+\$0
69W	recograin walnut, quarter cut, matte sheen	A	+\$0
96G	wenge recograin, quarter cut, low sheen	A	+\$0
98W	recograin walnut, flat cut, low sheen	A	+\$0
99G	recograin wenge, quarter cut, low sheen	A	+\$0
99W	recograin walnut, quarter cut, low sheen	A	+\$0

# Tuxedo Component Lounge Tables Square

AXW2-

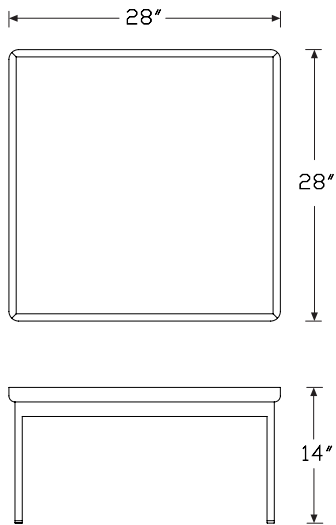


## Product Information

### Description

This square table has a steel plated metal base with a solid ash or walnut top 1½" thick.

### Dimensions



HermanMiller Collection—Occasional Tables

## Specification Information

### Step 1.

**AXW2**

### Step 2. Depth

**-28** 28" deep

### Step 3. Width

**28** 28" wide

### Prices for Steps 1-3.

**AXW2-28 28** \$1615

### Step 4. Wood Finish

#### Matte Finishes

<b>662</b>	toasted walnut, matte sheen <input type="checkbox"/>	+\$0
<b>663</b>	charred walnut, matte sheen <input type="checkbox"/>	+\$0
<b>664</b>	bronzed walnut, matte sheen <input type="checkbox"/>	+\$0
<b>665</b>	smoked walnut, matte sheen <input type="checkbox"/>	+\$0
<b>666</b>	coffee walnut, matte sheen <input type="checkbox"/>	+\$0
<b>667</b>	smoked paldao, quarter cut, matte sheen <input type="checkbox"/>	+\$0
<b>669</b>	warm paldao, quarter cut, matte sheen <input type="checkbox"/>	+\$0
<b>66A</b>	frosty ash recograin, quarter cut, matte sheen <input type="checkbox"/>	+\$0
<b>677</b>	chocolate ash, matte sheen <input type="checkbox"/>	+\$0
<b>68R</b>	recograin rosewood <input type="checkbox"/>	+\$0
<b>69A</b>	recograin frosty ash <input type="checkbox"/>	+\$0
<b>69R</b>	recograin rosewood <input type="checkbox"/>	+\$0
<b>69T</b>	recograin teak <input type="checkbox"/>	+\$0
<b>6K1</b>	rift oak <input type="checkbox"/>	+\$0
<b>ET</b>	clear on ash <input type="checkbox"/>	+\$0
<b>EU</b>	oak on ash <input type="checkbox"/>	+\$0
<b>EV</b>	walnut on ash <input type="checkbox"/>	+\$0
<b>GOU</b>	natural walnut, flat cut, matte sheen <input type="checkbox"/>	+\$0
<b>6A1</b>	white ash <input type="checkbox"/>	+\$0
<b>6K6</b>	burnt oak <input type="checkbox"/>	+\$0



# Tuxedo Component Lounge

## Tables Square *continued*

### Premium Veneer - Low Sheen

<b>932</b>	sundance anigre [A]	+\$0
<b>933</b>	caramel anigre [A]	+\$0
<b>934</b>	henna anigre [A]	+\$0
<b>940</b>	sundance cherry on maple [A]	+\$0
<b>962</b>	toasted walnut, low sheen [A]	+\$0
<b>963</b>	charred walnut, low sheen [A]	+\$0
<b>964</b>	bronzed walnut, low sheen [A]	+\$0
<b>965</b>	smoked walnut, low sheen [A]	+\$0
<b>966</b>	coffee walnut, low sheen [A]	+\$0
<b>967</b>	smoked paldao, low sheen [A]	+\$0
<b>969</b>	warm paldao, low sheen [A]	+\$0
<b>972</b>	sundance walnut [A]	+\$0
<b>977</b>	chocolate ash, low sheen [A]	+\$0
<b>98R</b>	recograin rosewood [A]	+\$0
<b>991</b>	champagne ash [A]	+\$0
<b>99A</b>	recograin frosty ash [A]	+\$0
<b>99R</b>	recograin rosewood [A]	+\$0
<b>99T</b>	recograin teak [A]	+\$0
<b>9A1</b>	white ash, quarter cut, low sheen [A]	+\$0
<b>9K1</b>	rift oak, rift cut, low sheen [A]	+\$0
<b>9K6</b>	burnt oak, rift cut, low sheen [A]	+\$0
<b>G2U</b>	light brown walnut, low sheen [A]	+\$0
<b>G40</b>	dark brown walnut, low sheen [A]	+\$0
<b>UX</b>	walnut on cherry [A]	+\$0
<b>943</b>	caramel cherry [A]	+\$0
<b>946</b>	cocoa cherry [A]	+\$0
<b>956</b>	cocoa sapele [A]	+\$0
<b>998</b>	ebony ash [A]	+\$0
<b>ED</b>	aged cherry [A]	+\$0
<b>EK</b>	medium red walnut [A]	+\$0

### RecoGrain Veneer

<b>66G</b>	recograin wenge [A]	+\$0
<b>68W</b>	recograin walnut, flat cut, matte sheen [A]	+\$0
<b>69G</b>	recograin wenge [A]	+\$0
<b>69W</b>	recograin walnut, quarter cut, matte sheen [A]	+\$0

### Recon Veneer -

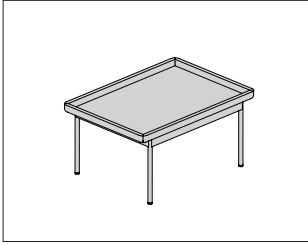
<b>96G</b>	wenge recograin, quarter cut, low sheen [A]	+\$0
<b>98W</b>	recograin walnut, flat cut, low sheen [A]	+\$0
<b>99G</b>	recograin wenge, quarter cut, low sheen [A]	+\$0
<b>99W</b>	recograin walnut, quarter cut, low sheen [A]	+\$0

### Step 5. Base Finish

<b>926</b>	black [A]	+\$0
<b>AS</b>	arctic silver [A]	+\$0
<b>WHT</b>	white [A]	+\$0
<b>BNZ</b>	bronze [A]	+\$295
<b>CHR</b>	chrome [A]	+\$295
<b>SAC</b>	satin chrome [A]	+\$295

# Tuxedo Component Lounge Tables Rectangular

AXW3-

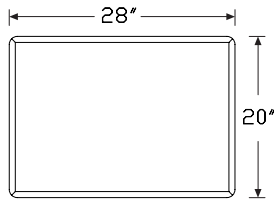


## Product Information

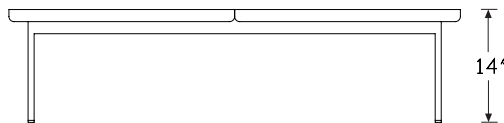
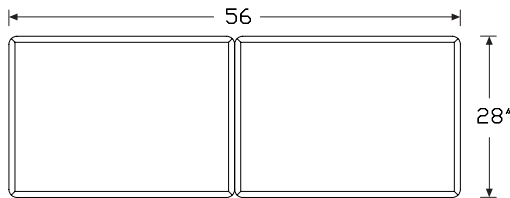
### Description

This rectangular table has a steel plated metal base with a 1-piece or 2-piece solid ash or walnut top 1½" thick.

### Dimensions



Tuxedo One Piece Table



Tuxedo Two Piece Tables

## Specification Information

### Step 1.

**AXW3**  A

### Step 2. Depth

**-20** 20" deep  A

**-28** 28" deep  A

### Step 3. Width

*For 20" deep (-20)*

**28** 28" wide, one piece  A

*For 28" deep (-28)*

**56** 56" wide, two pieces  A

### Prices for Steps 1-3.

**AXW3-20 28** \$1430

**AXW3-28 56** \$2695

### Step 4. Wood Finish

#### Matte Finishes

<b>662</b>	toasted walnut, matte sheen <input type="checkbox"/> A	+\$0
<b>663</b>	charred walnut, matte sheen <input type="checkbox"/> A	+\$0
<b>664</b>	bronzed walnut, matte sheen <input type="checkbox"/> A	+\$0
<b>665</b>	smoked walnut, matte sheen <input type="checkbox"/> A	+\$0
<b>666</b>	coffee walnut, matte sheen <input type="checkbox"/> A	+\$0
<b>667</b>	smoked paldao, quarter cut, matte sheen <input type="checkbox"/> A	+\$0
<b>669</b>	warm paldao, quarter cut, matte sheen <input type="checkbox"/> A	+\$0
<b>66A</b>	recograin frosty ash <input type="checkbox"/> A	+\$0
<b>677</b>	chocolate ash, matte sheen <input type="checkbox"/> A	+\$0
<b>68R</b>	recograin rosewood <input type="checkbox"/> A	+\$0
<b>69A</b>	recograin frosty ash <input type="checkbox"/> A	+\$0
<b>69R</b>	recograin rosewood <input type="checkbox"/> A	+\$0
<b>69T</b>	recograin teak <input type="checkbox"/> A	+\$0
<b>6K1</b>	rift oak <input type="checkbox"/> A	+\$0
<b>ET</b>	clear on ash <input type="checkbox"/> A	+\$0
<b>EU</b>	oak on ash <input type="checkbox"/> A	+\$0
<b>EV</b>	walnut on ash <input type="checkbox"/> A	+\$0
<b>GOU</b>	natural walnut, flat cut, matte sheen <input type="checkbox"/> A	+\$0
<b>6A1</b>	white ash <input type="checkbox"/> A	+\$0
<b>6K6</b>	burnt oak <input type="checkbox"/> A	+\$0
<b>932</b>	sundance anigre <input type="checkbox"/> A	+\$0
<b>933</b>	caramel anigre <input type="checkbox"/> A	+\$0
<b>934</b>	henna anigre <input type="checkbox"/> A	+\$0

# Tuxedo Component Lounge

## Tables Rectangular *continued*

940	sundance cherry on maple	A	+\$0
962	toasted walnut, low sheen	A	+\$0
963	charred walnut, low sheen	A	+\$0
964	bronzed walnut, low sheen	A	+\$0
965	smoked walnut, low sheen	A	+\$0
966	coffee walnut, low sheen	A	+\$0
967	smoked paldao, low sheen	A	+\$0
969	warm paldao, low sheen	A	+\$0
972	sundance walnut	A	+\$0
977	chocolate ash, low sheen	A	+\$0
98R	recograin rosewood	A	+\$0
991	champagne ash	A	+\$0
99A	recograin frosty ash	A	+\$0
99R	recograin rosewood	A	+\$0
99T	recograin teak	A	+\$0
9A1	white ash, quarter cut, low sheen	A	+\$0
9K1	rift oak, rift cut, low sheen	A	+\$0
9K6	burnt oak, rift cut, low sheen	A	+\$0
G2U	light brown walnut, low sheen	A	+\$0
G40	dark brown walnut, low sheen	A	+\$0
UX	walnut on cherry	A	+\$0
943	caramel cherry	A	+\$0
946	cocoa cherry	A	+\$0
956	cocoa sapele	A	+\$0
998	ebony ash	A	+\$0
ED	aged cherry	A	+\$0
EK	medium red walnut	A	+\$0

### RecoGrain Veneer

66G	recograin wenge	A	+\$0
68W	recograin walnut, flat cut, matte sheen	A	+\$0
69G	recograin wenge	A	+\$0
69W	recograin walnut, quarter cut, matte sheen	A	+\$0

### Recon Veneer -

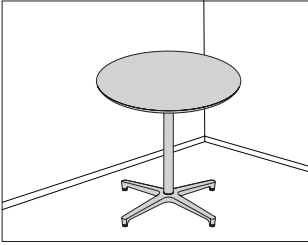
96G	wenge recograin, quarter cut, low sheen	A	+\$0
98W	recograin walnut, flat cut, low sheen	A	+\$0
99G	recograin wenge, quarter cut, low sheen	A	+\$0
99W	recograin walnut, quarter cut, low sheen	A	+\$0

### Step 5. Base Finish

		-2028	-2056	-2828	-2856
926	black			+\$0	0
AS	arctic silver			+\$0	0
WHT	white			+\$0	0
BNZ	bronze			+\$295	645
CHR	chrome			+\$295	645
SAC	satin chrome			+\$295	645

# Saiba Table Wood Top

ASB1A  
ASB1W

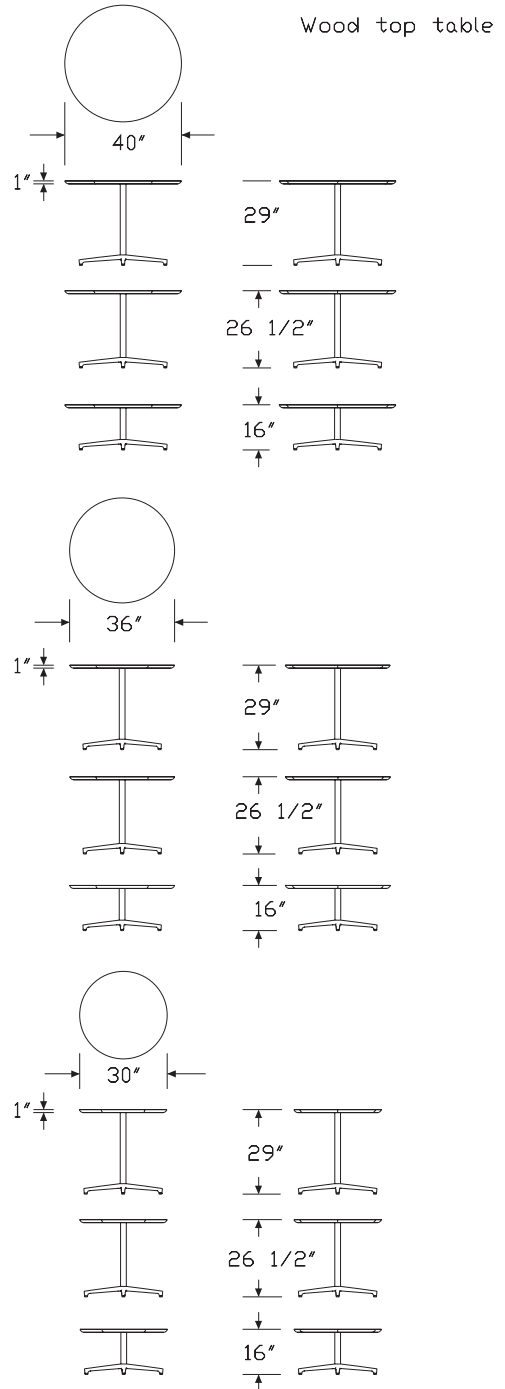


## Product Information

**Description**  
This table has an aluminum base with a veneer top and is available in 3 heights and 3 top diameters.

HermanMiller Collection—Occasional Tables

## Dimensions



**Specification Information**

Step 1.

**ASB1** A

Step 2. Top

**A-** ash A

**W-** walnut A

Step 3. Height

**16** 16" coffee table height A

**26** 26.5" work table height A

**29** 29" standard table height A

Step 4. Diameter

**30** 30" diameter wood top A

**36** 36" diameter wood top A

**40** 40" diameter wood top A

Prices for Steps 1-4.

		30	36	40
<b>ASB1A-</b>	<b>16</b>	\$1600	1750	1900
	<b>26</b>	\$1650	1800	1950
	<b>29</b>	\$1700	1850	2000
<b>ASB1W-</b>	<b>16</b>	\$1700	1850	2000
	<b>26</b>	\$1750	1900	2050
	<b>29</b>	\$1800	1950	2100

Step 5. Wood Finish

Low Sheen Finishes (on Ash)

*For ash (A-)*

<b>932</b>	sundance anigre <span style="border: 1px solid black; padding: 0 2px;">A</span>	+\$0
<b>933</b>	caramel anigre <span style="border: 1px solid black; padding: 0 2px;">A</span>	+\$0
<b>934</b>	henna anigre <span style="border: 1px solid black; padding: 0 2px;">A</span>	+\$0
<b>940</b>	sundance cherry on maple <span style="border: 1px solid black; padding: 0 2px;">A</span>	+\$0
<b>962</b>	toasted walnut, low sheen <span style="border: 1px solid black; padding: 0 2px;">A</span>	+\$0
<b>963</b>	charred walnut, low sheen <span style="border: 1px solid black; padding: 0 2px;">A</span>	+\$0
<b>964</b>	bronzed walnut, low sheen <span style="border: 1px solid black; padding: 0 2px;">A</span>	+\$0
<b>965</b>	smoked walnut, low sheen <span style="border: 1px solid black; padding: 0 2px;">A</span>	+\$0
<b>966</b>	coffee walnut, low sheen <span style="border: 1px solid black; padding: 0 2px;">A</span>	+\$0
<b>967</b>	smoked paldao, low sheen <span style="border: 1px solid black; padding: 0 2px;">A</span>	+\$0
<b>969</b>	warm paldao, low sheen <span style="border: 1px solid black; padding: 0 2px;">A</span>	+\$0
<b>977</b>	chocolate ash, low sheen <span style="border: 1px solid black; padding: 0 2px;">A</span>	+\$0
<b>98R</b>	recograin rosewood <span style="border: 1px solid black; padding: 0 2px;">A</span>	+\$0
<b>99A</b>	recograin frosty ash <span style="border: 1px solid black; padding: 0 2px;">A</span>	+\$0
<b>99G</b>	recograin wenge, quarter cut, low sheen <span style="border: 1px solid black; padding: 0 2px;">A</span>	+\$0
<b>99R</b>	recograin rosewood <span style="border: 1px solid black; padding: 0 2px;">A</span>	+\$0
<b>99T</b>	recograin teak <span style="border: 1px solid black; padding: 0 2px;">A</span>	+\$0
<b>9A1</b>	white ash, quarter cut, low sheen <span style="border: 1px solid black; padding: 0 2px;">A</span>	+\$0
<b>9K1</b>	rift oak, rift cut, low sheen <span style="border: 1px solid black; padding: 0 2px;">A</span>	+\$0
<b>9K6</b>	burnt oak, rift cut, low sheen <span style="border: 1px solid black; padding: 0 2px;">A</span>	+\$0
<b>EK</b>	medium red walnut <span style="border: 1px solid black; padding: 0 2px;">A</span>	+\$0
<b>G2U</b>	light brown walnut, low sheen <span style="border: 1px solid black; padding: 0 2px;">A</span>	+\$0
<b>G40</b>	dark brown walnut, low sheen <span style="border: 1px solid black; padding: 0 2px;">A</span>	+\$0
<b>UX</b>	walnut on cherry <span style="border: 1px solid black; padding: 0 2px;">A</span>	+\$0
<b>943</b>	caramel cherry <span style="border: 1px solid black; padding: 0 2px;">A</span>	+\$0
<b>946</b>	cocoa cherry <span style="border: 1px solid black; padding: 0 2px;">A</span>	+\$0
<b>956</b>	cocoa sapele <span style="border: 1px solid black; padding: 0 2px;">A</span>	+\$0
<b>991</b>	champagne ash <span style="border: 1px solid black; padding: 0 2px;">A</span>	+\$0
<b>998</b>	ebony ash <span style="border: 1px solid black; padding: 0 2px;">A</span>	+\$0
<b>ED</b>	aged cherry <span style="border: 1px solid black; padding: 0 2px;">A</span>	+\$0

Low Sheen Finishes (on Ash)

*For ash (A-)*

<b>98W</b>	recograin walnut, flat cut, low sheen <span style="border: 1px solid black; padding: 0 2px;">A</span>	+\$0
<b>99W</b>	recograin walnut, quarter cut, low sheen <span style="border: 1px solid black; padding: 0 2px;">A</span>	+\$0

# Saiba Table Wood Top *continued*

---

## Matte Sheen Finishes (on Ash)

*For ash (A-)*

<b>66A</b>	frosty ash recograin, quarter cut, matte sheen <input type="checkbox"/>	+\$0
<b>677</b>	chocolate ash, matte sheen <input type="checkbox"/>	+\$0
<b>68R</b>	recograin rosewood <input type="checkbox"/>	+\$0
<b>69A</b>	recograin frosty ash <input type="checkbox"/>	+\$0
<b>69R</b>	recograin rosewood <input type="checkbox"/>	+\$0
<b>69T</b>	recograin teak <input type="checkbox"/>	+\$0
<b>6K1</b>	rift oak <input type="checkbox"/>	+\$0
<b>ET</b>	clear on ash <input type="checkbox"/>	+\$0
<b>EU</b>	oak on ash <input type="checkbox"/>	+\$0
<b>EV</b>	walnut on ash <input type="checkbox"/>	+\$0
<b>GOU</b>	natural walnut, flat cut, matte sheen <input type="checkbox"/>	+\$0
<b>6A1</b>	white ash <input type="checkbox"/>	+\$0
<b>6K6</b>	burnt oak <input type="checkbox"/>	+\$0

---

## Matte Sheen Finishes (on Ash)

*For ash (A-)*

<b>66G</b>	recograin wenge <input type="checkbox"/>	+\$0
<b>68W</b>	recograin walnut, flat cut, matte sheen <input type="checkbox"/>	+\$0
<b>69G</b>	recograin wenge <input type="checkbox"/>	+\$0
<b>69W</b>	recograin walnut, quarter cut, matte sheen <input type="checkbox"/>	+\$0

---

## Premium Veneer - Matte

*For walnut (W-)*

<b>662</b>	toasted walnut, matte sheen <input type="checkbox"/>	+\$0
<b>663</b>	charred walnut, matte sheen <input type="checkbox"/>	+\$0
<b>664</b>	bronzed walnut, matte sheen <input type="checkbox"/>	+\$0
<b>665</b>	smoked walnut, matte sheen <input type="checkbox"/>	+\$0
<b>666</b>	coffee walnut, matte sheen <input type="checkbox"/>	+\$0
<b>667</b>	smoked paldao, quarter cut, matte sheen <input type="checkbox"/>	+\$0
<b>669</b>	warm paldao, quarter cut, matte sheen <input type="checkbox"/>	+\$0
<b>68R</b>	recograin rosewood <input type="checkbox"/>	+\$0
<b>69R</b>	recograin rosewood <input type="checkbox"/>	+\$0
<b>GOU</b>	natural walnut, flat cut, matte sheen <input type="checkbox"/>	+\$0

*For walnut (W-)*

<b>66G</b>	recograin wenge <input type="checkbox"/>	+\$0
<b>69G</b>	recograin wenge <input type="checkbox"/>	+\$0

---

## Low Sheen Finishes (on Walnut)

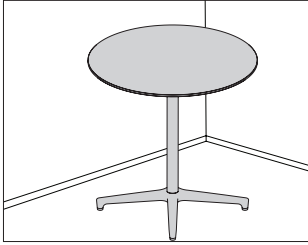
*For walnut (W-)*

<b>962</b>	toasted walnut, low sheen <input type="checkbox"/>	+\$0
<b>963</b>	charred walnut, low sheen <input type="checkbox"/>	+\$0
<b>964</b>	bronzed walnut, low sheen <input type="checkbox"/>	+\$0
<b>965</b>	smoked walnut, low sheen <input type="checkbox"/>	+\$0
<b>966</b>	coffee walnut, low sheen <input type="checkbox"/>	+\$0
<b>967</b>	smoked paldao, low sheen <input type="checkbox"/>	+\$0
<b>969</b>	warm paldao, low sheen <input type="checkbox"/>	+\$0
<b>96G</b>	wenge recograin, quarter cut, low sheen <input type="checkbox"/>	+\$0
<b>972</b>	sundance walnut <input type="checkbox"/>	+\$0
<b>98R</b>	recograin rosewood <input type="checkbox"/>	+\$0
<b>99G</b>	recograin wenge, quarter cut, low sheen <input type="checkbox"/>	+\$0
<b>99R</b>	recograin rosewood <input type="checkbox"/>	+\$0
<b>G2U</b>	light brown walnut, low sheen <input type="checkbox"/>	+\$0
<b>G40</b>	dark brown walnut, low sheen <input type="checkbox"/>	+\$0
<b>EK</b>	medium red walnut <input type="checkbox"/>	+\$0

---

## Step 6. Base Finish

<b>926</b>	black <input type="checkbox"/>	+\$0
<b>CHR</b>	chrome <input type="checkbox"/>	+\$0

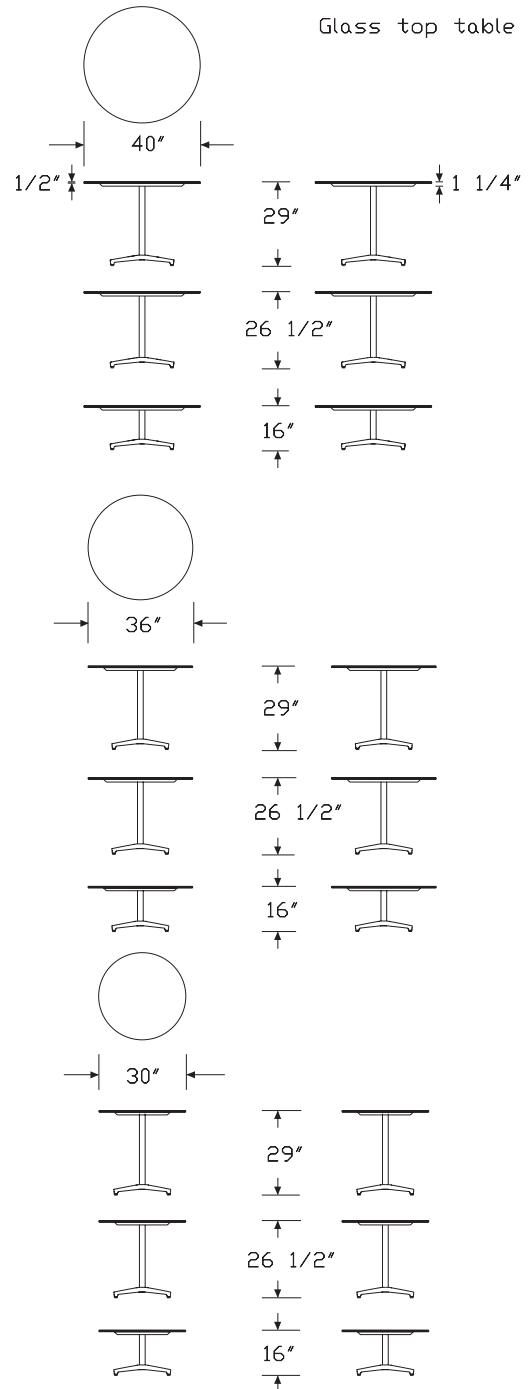


**Product Information**

**Description**

This table has an aluminum base with a  $\frac{3}{8}$ " tempered, back-painted glass top. Available in 3 heights and 3 top diameters.

**Dimensions**



Saiba Table Glass Top *continued*

**Specification Information**

Step 1.

**ASB1G-**  A

Step 2. Height

**16** 16" coffee table height  A

**26** 26.5" work table height  A

**29** 29" standard table height  A

Step 3. Diameter

**30** 30" diameter wood top  A

**36** 36" diameter wood top  A

**40** 40" diameter wood top  A

Prices for Steps 1-3.

	<b>30</b>	<b>36</b>	<b>40</b>
<b>ASB1G- 16</b>	\$2000	2500	3000
<b>26</b>	\$2050	2550	3050
<b>29</b>	\$2100	2600	3100

Step 4. Glass Option

**GBB** back-painted black glass  A + \$0

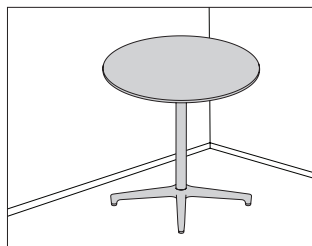
**GBP** back-painted white glass  A + \$0

Step 5. Base Finish

**926** black  A + \$0

**CHR** chrome  A + \$0



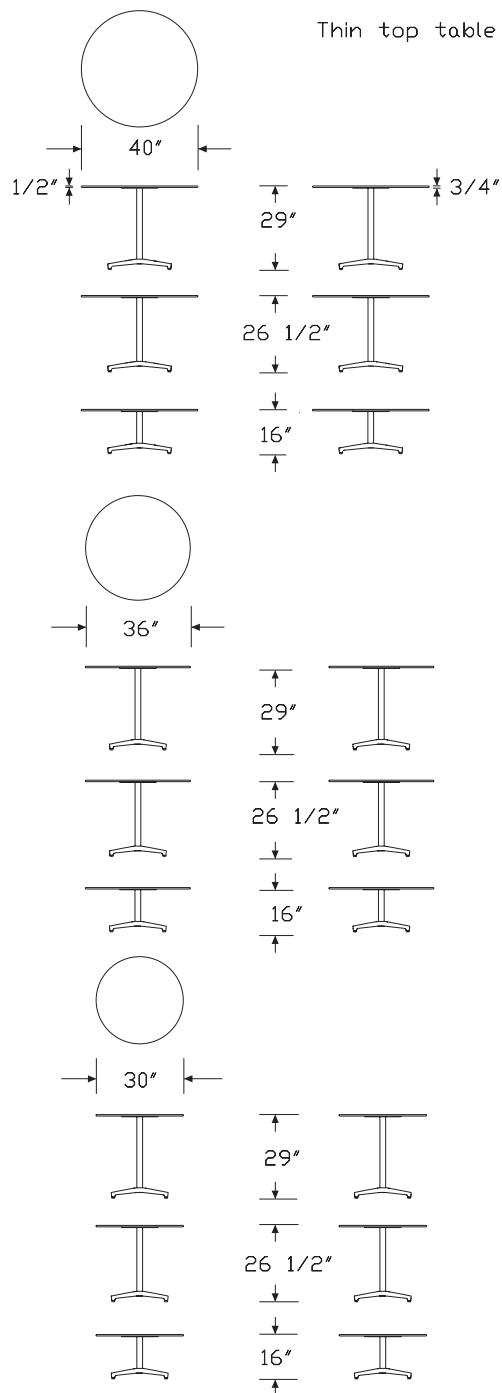


**Product Information**

**Description**

This table has an aluminum base with a thin profile high-pressure laminate top and is available in 3 heights and 3 top diameters.

**Dimensions**



# Saiba Table Thin Profile Top

continued

HermanMiller Collection—Occasional Tables

## Specification Information

Step 1.

**ASB1T-**  A

Step 2. Height

**16** 16" coffee table height  A

**26** 26.5" work table height  A

**29** 29" standard table height  A

Step 3. Diameter

**30** 30" diameter wood top  A

**36** 36" diameter wood top  A

**40** 40" diameter wood top  A

Prices for Steps 1-3.

	<b>30</b>	<b>36</b>	<b>40</b>
<b>ASB1T- 16</b>	\$1300	1600	2000
<b>26</b>	\$1350	1650	2050
<b>29</b>	\$1400	1700	2100

Step 4. Thin Profile HPL with Black Edge Option

**91** white  A +\$0

**BK** black  A +\$0

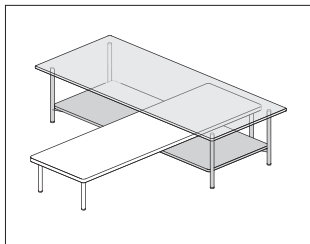
Step 5. Base Finish

**926** black  A +\$0

**CHR** chrome  A +\$0

# Layer Occasional Table, High Nesting

ALNHS

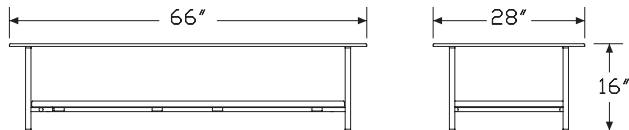


## Product Information

### Description

This table has a stainless steel frame and a 1/2" thick low-iron tempered glass top with radiused top edge and radiused corners. The wood shelf is 1" thick with plank veneer layup and solid wood edge. Wood shelf is finished to match color and sheen of the specified wood finish.

### Dimensions



## Specification Information

### Step 1.

**ALNH**

### Step 2. Shelf Material

**SA-** ash shelf

**SN-** no shelf

**SS-** stone shelf

**SW-** walnut shelf

### Step 3. Width

**66Z** 66" wide

### Step 4. Depth

**28Z** 28" deep

### Step 5. Height

**16Z** 16" high

### Prices for Steps 1-5.

	<b>16Z</b>
<b>ALNHSA- 66Z 28Z</b>	\$3195

	<b>16Z</b>
<b>ALNHSN- 66Z 28Z</b>	\$2195

	<b>16Z</b>
<b>ALNHSS- 66Z 28Z</b>	\$5095

	<b>16Z</b>
<b>ALNHSW- 66Z 28Z</b>	\$3195

### Step 6. Wood Finish

#### For ash shelf (SA-)

<b>677</b>	chocolate ash, flat cut, matte sheen <input type="checkbox"/>	+ \$0
<b>6A1</b>	white ash, quarter cut, matte sheen <input type="checkbox"/>	+ \$0
<b>991</b>	champagne ash, flat cut, low sheen <input type="checkbox"/>	+ \$0
<b>998</b>	ebony ash, flat cut, low sheen <input type="checkbox"/>	+ \$0

# Layer Occasional Table, High Nesting *continued*

---

*For walnut shelf (SW-)*

<b>662</b>	toasted walnut, flat cut, matte sheen <input type="checkbox"/> A	+\$0
<b>663</b>	charred walnut, flat cut, matte sheen <input type="checkbox"/> A	+\$0
<b>664</b>	bronzed walnut, flat cut, matte sheen <input type="checkbox"/> A	+\$0
<b>665</b>	smoked walnut, flat cut, matte sheen <input type="checkbox"/> A	+\$0
<b>666</b>	coffee walnut, flat cut, matte sheen <input type="checkbox"/> A	+\$0
<b>972</b>	sundance walnut, solid, low sheen <input type="checkbox"/> A	+\$0
<b>EK</b>	medium red walnut, flat cut, low sheen <input type="checkbox"/> A	+\$0
<b>G2U</b>	light brown walnut, flat cut, low sheen <input type="checkbox"/> A	+\$0
<b>G40</b>	dark brown walnut, flat cut, low sheen <input type="checkbox"/> A	+\$0
<b>GOU</b>	natural walnut, flat cut, matte sheen <input type="checkbox"/> A	+\$0

---

Step 7. Stone

*For stone shelf (SS-)*

<b>5UH</b>	georgia grey honed marble <input type="checkbox"/> A	+\$0
<b>DPH</b>	georgia white honed marble <input type="checkbox"/> A	+\$0
<b>HR</b>	wisconsin black honed marble <input type="checkbox"/> A	+\$0

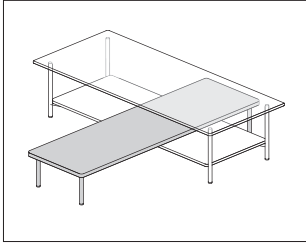
---

Step 8. Base Finish

<b>926</b>	black <input type="checkbox"/> A	+\$0
<b>CHR</b>	chrome <input type="checkbox"/> A	+\$0
<b>SAC</b>	satin chrome <input type="checkbox"/> A	+\$0

Layer Occasional Table, Low Nesting

ALNLT

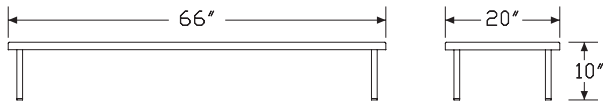


**Product Information**

Description

This table has a stainless steel frame and a 1 1/4" thick top with plank veneer layup and solid wood edge. Wood top is finished to match color and sheen of the specified wood finish.

Dimensions



**Specification Information**

Step 1.

ALNL  A

Step 2. Wood Top Material

TA- ash top  A

TW- walnut top  A

Step 3. Width

66Z 66" wide  A

Step 4. Depth

20Z 20" deep  A

Step 5. Height

10Z 10" high  A

Prices for Steps 1-5.

**10Z**

---

ALNLTA- 66Z 20Z \$1795

**10Z**

---

ALNLTW- 66Z 20Z \$1795

Step 6. Wood Finish

*For ash top (TA-)*

<b>677</b>	chocolate ash, flat cut, matte sheen <input type="checkbox"/> A	+ \$0
<b>6A1</b>	white ash, quarter cut, matte sheen <input type="checkbox"/> A	+ \$0
<b>991</b>	champagne ash, flat cut, low sheen <input type="checkbox"/> A	+ \$0
<b>998</b>	ebony ash, flat cut, low sheen <input type="checkbox"/> A	+ \$0

*For walnut top (TW-)*

<b>662</b>	toasted walnut, flat cut, matte sheen <input type="checkbox"/> A	+ \$0
<b>663</b>	charred walnut, flat cut, matte sheen <input type="checkbox"/> A	+ \$0
<b>664</b>	bronzed walnut, flat cut, matte sheen <input type="checkbox"/> A	+ \$0
<b>665</b>	smoked walnut, flat cut, matte sheen <input type="checkbox"/> A	+ \$0
<b>666</b>	coffee walnut, flat cut, matte sheen <input type="checkbox"/> A	+ \$0
<b>972</b>	sundance walnut, solid, low sheen <input type="checkbox"/> A	+ \$0
<b>EK</b>	medium red walnut, flat cut, low sheen <input type="checkbox"/> A	+ \$0
<b>G2U</b>	light brown walnut, flat cut, low sheen <input type="checkbox"/> A	+ \$0
<b>G40</b>	dark brown walnut, flat cut, low sheen <input type="checkbox"/> A	+ \$0
<b>GOU</b>	natural walnut, flat cut, matte sheen <input type="checkbox"/> A	+ \$0

Layer Occasional Table, Low  
Nesting *continued*

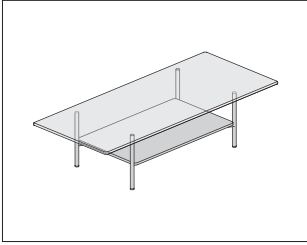
---

Step 7. Base Finish		
<b>926</b>	black <input type="checkbox"/>	+\$0
<b>CHR</b>	chrome <input type="checkbox"/>	+\$0
<b>SAC</b>	satin chrome <input type="checkbox"/>	+\$0

HermanMiller Collection—Occasional Tables

Layer Occasional Table, Wood Shelf

ALYSA  
ALYSW

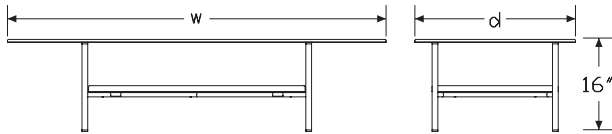


**Product Information**

Description

This table has a stainless steel frame and a 1/2" thick low-iron tempered glass top with radiused top edge and radiused corners. The wood shelf is 1" thick with plank veneer layup and solid wood edge. Wood shelf is finished to match color and sheen of the specified wood finish.

Dimensions



**Specification Information**

Step 1.

ALY  A

Step 2. Shelf Material

SA- ash shelf  A

SW- walnut shelf  A

Step 3. Width

28Z 28" wide  A

46Z 46" wide  A

66Z 66" wide  A

Step 4. Depth

*For 28" wide (28Z)*

14Z 14" deep  A

22Z 22" deep  A

*For 46" wide (46Z)*

24Z 24" deep  A

*For 66" wide (66Z)*

28Z 28" deep  A

Step 5. Height

16Z 16" high  A

Prices for Steps 1-5.

		<b>16Z</b>
ALYSA-	28Z 14Z	\$1695
	22Z	\$2095
	46Z 24Z	\$2395
	66Z 28Z	\$2795
		<b>16Z</b>
ALYSW-	28Z 14Z	\$1695
	22Z	\$2095
	46Z 24Z	\$2395
	66Z 28Z	\$2795

# Layer Occasional Table, Wood Shelf *continued*

---

Step 6. Wood Finish

---

*For ash shelf (SA)*

<b>677</b>	chocolate ash, flat cut, matte sheen	<input type="checkbox"/> A	+\$0
<b>6A1</b>	white ash, quarter cut, matte sheen	<input type="checkbox"/> A	+\$0
<b>991</b>	champagne ash, flat cut, low sheen	<input type="checkbox"/> A	+\$0
<b>998</b>	ebony ash, flat cut, low sheen	<input type="checkbox"/> A	+\$0

*For walnut shelf (SW-)*

<b>662</b>	toasted walnut, flat cut, matte sheen	<input type="checkbox"/> A	+\$0
<b>663</b>	charred walnut, flat cut, matte sheen	<input type="checkbox"/> A	+\$0
<b>664</b>	bronzed walnut, flat cut, matte sheen	<input type="checkbox"/> A	+\$0
<b>665</b>	smoked walnut, flat cut, matte sheen	<input type="checkbox"/> A	+\$0
<b>666</b>	coffee walnut, flat cut, matte sheen	<input type="checkbox"/> A	+\$0
<b>972</b>	sundance walnut, solid, low sheen	<input type="checkbox"/> A	+\$0
<b>EK</b>	medium red walnut, flat cut, low sheen	<input type="checkbox"/> A	+\$0
<b>G2U</b>	light brown walnut, flat cut, low sheen	<input type="checkbox"/> A	+\$0
<b>G40</b>	dark brown walnut, flat cut, low sheen	<input type="checkbox"/> A	+\$0
<b>GOU</b>	natural walnut, flat cut, matte sheen	<input type="checkbox"/> A	+\$0

---

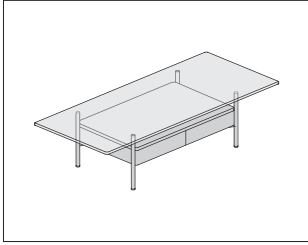
Step 7. Base Finish

<b>926</b>	black	<input type="checkbox"/> A	+\$0
<b>CHR</b>	chrome	<input type="checkbox"/> A	+\$0
<b>SAC</b>	satin chrome	<input type="checkbox"/> A	+\$0



Layer Occasional Table, Wood  
Drawer

ALYDA  
ALYDW

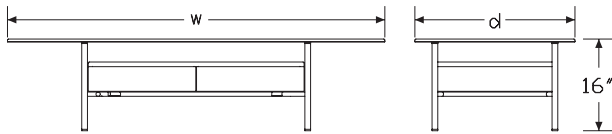


**Product Information**

Description

This table has a stainless steel frame and a 1/2" thick low-iron tempered glass top with radiused top edge and radiused corners. The drawer top is 1" thick with plank veneer layup and solid wood edge. Drawer front and case are solid wood. Drawer box interior is natural ash with dovetail construction. Wood drawer is finished to match color and sheen of the specified wood finish.

Dimensions



**Specification Information**

Step 1.

ALY  A

Step 2. Drawer Material

DA- ash drawer  A

DW- walnut drawer  A

Step 3. Width

28Z 28" wide  A

46Z 46" wide  A

66Z 66" wide  A

Step 4. Depth

For 28" wide (28Z)

22Z 22" deep  A

For 46" wide (46Z)

24Z 24" deep  A

For 66" wide (66Z)

28Z 28" deep  A

Step 5. Height

16Z 16" high  A

Prices for Steps 1-5.

	16Z
ALYDA- 28Z 22Z	\$2595
46Z 24Z	\$3295
66Z 28Z	\$3695

	16Z
ALYDW- 28Z 22Z	\$2595
46Z 24Z	\$3295
66Z 28Z	\$3695

Step 6. Wood Finish

For ash drawer (DA-)

677 chocolate ash, flat cut, matte sheen <input type="checkbox"/> A	+\$0
6A1 white ash, quarter cut, matte sheen <input type="checkbox"/> A	+\$0
991 champagne ash, flat cut, low sheen <input type="checkbox"/> A	+\$0
998 ebony ash, flat cut, low sheen <input type="checkbox"/> A	+\$0

# Layer Occasional Table, Wood Drawer *continued*

HermanMiller Collection—Occasional Tables

---

*For walnut drawer (DW)*

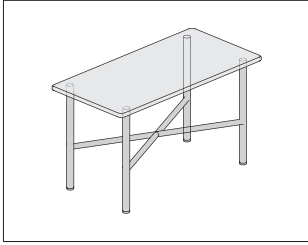
<b>662</b>	toasted walnut, flat cut, matte sheen <input type="checkbox"/> A	+\$0
<b>663</b>	charred walnut, flat cut, matte sheen <input type="checkbox"/> A	+\$0
<b>664</b>	bronzed walnut, flat cut, matte sheen <input type="checkbox"/> A	+\$0
<b>665</b>	smoked walnut, flat cut, matte sheen <input type="checkbox"/> A	+\$0
<b>666</b>	coffee walnut, flat cut, matte sheen <input type="checkbox"/> A	+\$0
<b>972</b>	sundance walnut, solid, low sheen <input type="checkbox"/> A	+\$0
<b>EK</b>	medium red walnut, flat cut, low sheen <input type="checkbox"/> A	+\$0
<b>G2U</b>	light brown walnut, flat cut, low sheen <input type="checkbox"/> A	+\$0
<b>G40</b>	dark brown walnut, flat cut, low sheen <input type="checkbox"/> A	+\$0
<b>GOU</b>	natural walnut, flat cut, matte sheen <input type="checkbox"/> A	+\$0

---

Step 7. Base Finish

<b>926</b>	black <input type="checkbox"/> A	+\$0
<b>CHR</b>	chrome <input type="checkbox"/> A	+\$0
<b>SAC</b>	satin chrome <input type="checkbox"/> A	+\$0

Layer Occasional Table, No Shelf ALYSN

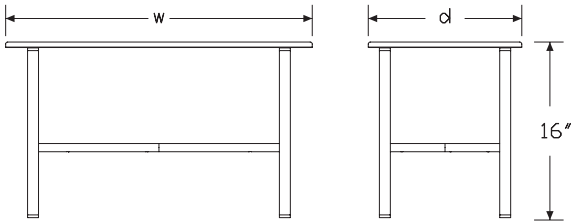


**Product Information**

Description

This table has a stainless steel frame and a 1/2" thick low-iron tempered glass top with radiused top edge and radiused corners.

Dimensions



**Specification Information**

Step 1.

**ALYSN-**  A

Step 2. Width

**28Z** 28" wide  A

**46Z** 46" wide  A

**66Z** 66" wide  A

Step 3. Depth

*For 28" wide (28Z)*

**14Z** 14" deep  A

**22Z** 22" deep  A

*For 46" wide (46Z)*

**24Z** 24" deep  A

*For 66" wide (66Z)*

**28Z** 28" deep  A

Step 4. Height

**16Z** 16" high  A

Prices for Steps 1-4.

	<b>16Z</b>
<b>ALYSN- 28Z 14Z</b>	\$1195
<b>22Z</b>	\$1395
<b>46Z 24Z</b>	\$1895
<b>66Z 28Z</b>	\$2195

Step 5. Base Finish

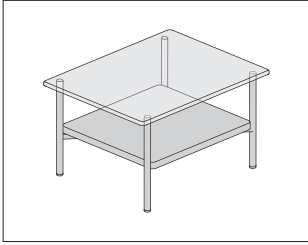
**926** black  A +\$0

**CHR** chrome  A +\$0

**SAC** satin chrome  A +\$0

# Layer Occasional Table, Stone Shelf

ALYSS



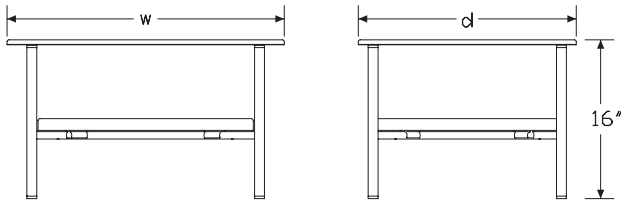
HermanMiller Collection—Occasional Tables

## Product Information

### Description

This table has a stainless steel frame and a 1/2" thick low-iron tempered glass top with radiused top edge and radiused corners. The stone shelf is 1 3/16" thick with radiused edge and radiused corners.

### Dimensions



## Specification Information

### Step 1.

**ALYSS-**  A

### Step 2. Width

**28Z** 28" wide  A

**46Z** 46" wide  A

**66Z** 66" wide  A

### Step 3. Depth

#### For 28" wide (28Z)

**14Z** 14" deep  A

**22Z** 22" deep  A

#### For 46" wide (46Z)

**24Z** 24" deep  A

#### For 66" wide (66Z)

**28Z** 28" deep  A

### Step 4. Height

**16Z** 16" high  A

### Prices for Steps 1-4.

	<b>16Z</b>
<b>ALYSS- 28Z 14Z</b>	\$2395
<b>22Z</b>	\$2595
<b>46Z 24Z</b>	\$3795
<b>66Z 28Z</b>	\$4195

### Step 5. Stone

**5UH** georgia grey honed marble  A +\$0

**DPH** georgia white honed marble  A +\$0

**HR** wisconsin black honed marble  A +\$0

### Step 6. Base Finish

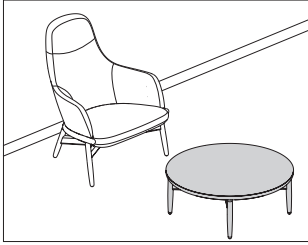
**926** black  A +\$0

**CHR** chrome  A +\$0

**SAC** satin chrome  A +\$0

# Reframe Occasional Table

AFCA  
AFCW  
AFRA  
AFRW  
AFSA  
AFSW

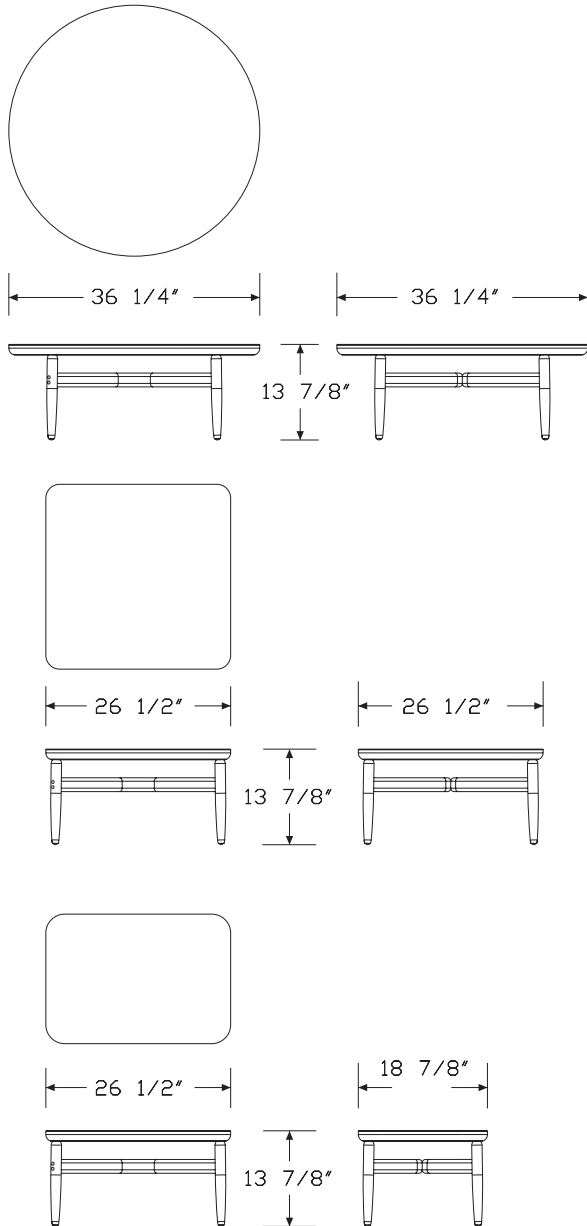


## Product Information

### Description

This table has a solid ash or walnut frame with a beveled edge veneer surface. Ships fully assembled.

### Dimensions



## Specification Information

### Step 1.

AF

### Step 2. Shape

C circular

S square

R rectangular

### Step 3. Wood Species

A ash

W walnut

### Prices for Steps 1-3.

<b>AFCA</b>	\$1095
<b>AFCW</b>	\$1395
<b>AFSA</b>	\$995
<b>AFSW</b>	\$1295
<b>AFRA</b>	\$845
<b>AFRW</b>	\$1045

### Step 4. Wood Finish

#### For ash (A)

<b>991</b>	champagne ash, low sheen <input type="checkbox"/>	+\$0
<b>998</b>	ebony ash, low sheen <input type="checkbox"/>	+\$0

#### For ash (A)

<b>677</b>	chocolate ash, matte sheen <input type="checkbox"/>	+\$0
<b>6A1</b>	white ash, matte sheen <input type="checkbox"/>	+\$0

#### For walnut (W)

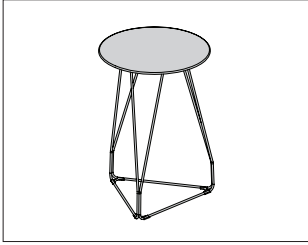
<b>972</b>	sundance walnut, low sheen <input type="checkbox"/>	+\$0
<b>EK</b>	medium red walnut, low sheen <input type="checkbox"/>	+\$0
<b>G2U</b>	light brown walnut, low sheen <input type="checkbox"/>	+\$0
<b>G40</b>	dark brown walnut, low sheen <input type="checkbox"/>	+\$0

#### For walnut (W)

<b>662</b>	toasted walnut, matte sheen <input type="checkbox"/>	+\$0
<b>663</b>	charred walnut, matte sheen <input type="checkbox"/>	+\$0
<b>664</b>	bronzed walnut, matte sheen <input type="checkbox"/>	+\$0
<b>665</b>	smoked walnut, matte sheen <input type="checkbox"/>	+\$0
<b>666</b>	coffee walnut, matte sheen <input type="checkbox"/>	+\$0
<b>GOU</b>	walnut, matte sheen <input type="checkbox"/>	+\$0

# Polygon Wire Table

- PWL14
- PWL22
- PWL26
- PWM14
- PWM18
- PWM26
- PWS16
- PWS20
- PWS26



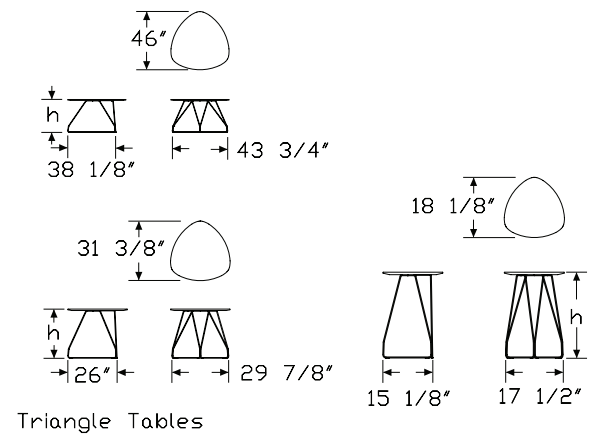
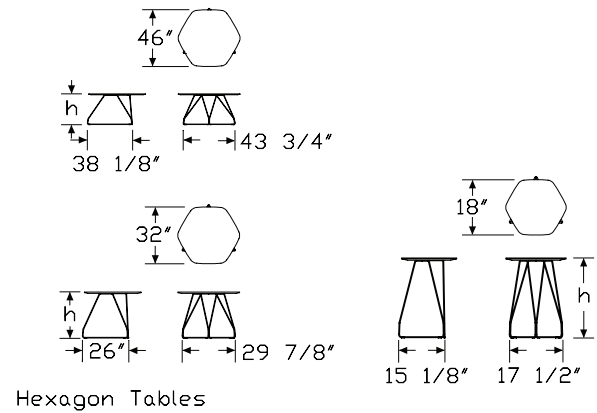
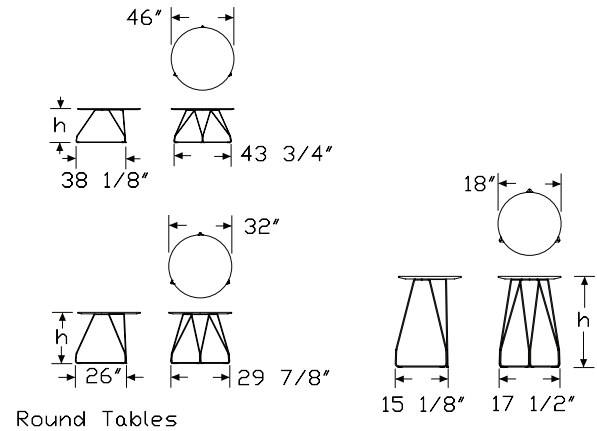
## Product Information

### Description

This table has a textured Formcoat® top that comes in 3 shapes and 3 sizes. The base is metal with textured paint, comes in 3 heights for each top shape, and has plastic glides. Top and base are the same color.

HermanMiller Collection—Occasional Tables

## Dimensions



Polygon Wire Table *continued*

**Specification Information**

Step 1.

**PW**

Step 2. Dimensions

<b>S16</b>	18" W top x 16" H base	<input type="checkbox"/>
<b>S20</b>	18" W top x 20" H base	<input type="checkbox"/>
<b>S26</b>	18" W top x 26" H base	<input type="checkbox"/>
<b>M14</b>	32" W top x 14" H base	<input type="checkbox"/>
<b>M18</b>	32" W top x 18" H base	<input type="checkbox"/>
<b>M26</b>	32" W top x 26" H base	<input type="checkbox"/>
<b>L14</b>	46" W top x 14" H base	<input type="checkbox"/>
<b>L22</b>	46" W top x 22" H base	<input type="checkbox"/>
<b>L26</b>	46" W top x 26" H base	<input type="checkbox"/>

Step 3. Top Shape

<b>R</b>	round	<input type="checkbox"/>
<b>H</b>	hexagon	<input type="checkbox"/>
<b>T</b>	triangle	<input type="checkbox"/>

Prices for Steps 1-3.

<b>PWS16</b>	<b>R</b>	\$689
	<b>H</b>	\$689
	<b>T</b>	\$689
<hr/>		
<b>PWS20</b>	<b>R</b>	\$714
	<b>H</b>	\$714
	<b>T</b>	\$714
<hr/>		
<b>PWS26</b>	<b>R</b>	\$740
	<b>H</b>	\$740
	<b>T</b>	\$740
<hr/>		
<b>PWM14</b>	<b>R</b>	\$1046
	<b>H</b>	\$1046
	<b>T</b>	\$1046
<hr/>		
<b>PWM18</b>	<b>R</b>	\$1082
	<b>H</b>	\$1082
	<b>T</b>	\$1082
<hr/>		
<b>PWM26</b>	<b>R</b>	\$1117
	<b>H</b>	\$1117
	<b>T</b>	\$1117

<b>PWL14</b>	<b>R</b>	\$1403
	<b>H</b>	\$1403
	<b>T</b>	\$1403

<b>PWL22</b>	<b>R</b>	\$1449
	<b>H</b>	\$1449
	<b>T</b>	\$1449

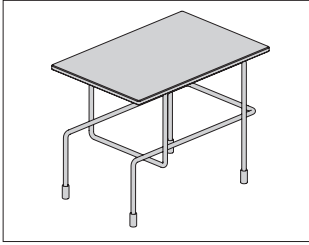
<b>PWL26</b>	<b>R</b>	\$1495
	<b>H</b>	\$1495
	<b>T</b>	\$1495

Step 4. Finish

<b>91</b>	white	<input type="checkbox"/>	+\$0
<b>BK</b>	black	<input type="checkbox"/>	+\$0
<b>G1</b>	graphite	<input type="checkbox"/>	+\$0

# Traffic Low Table

XXTV2

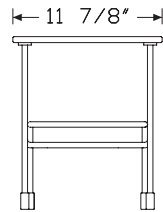
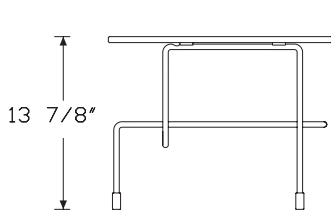
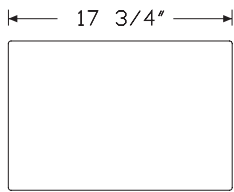


### Product Information

#### Description

This table has a steel rod frame and 12mm acrylic stone top.

#### Dimensions



### Specification Information

#### Step 1.

**XXTV2700**  A \$1059

#### Step 2. Frame Finish

**5011** white  A +\$0

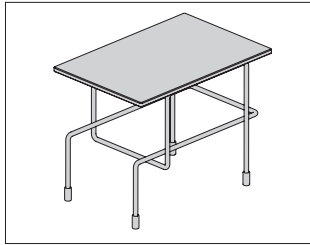
**5013** black  A +\$0

HermanMiller Collection—Occasional Tables



Traffic Low Table, Suitable for Outdoor Use

XXTV2

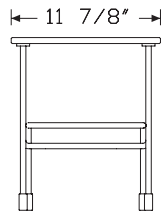
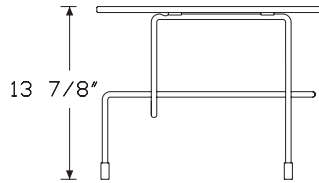
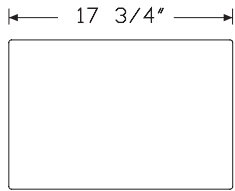


**Product Information**

Description

This table has a steel rod frame and 12mm acrylic stone top. Suitable for outdoor use.

Dimensions



**Specification Information**

Step 1.

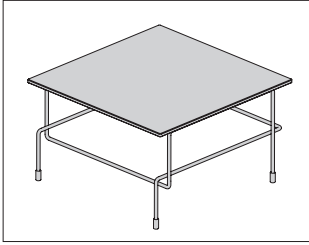
**XXTV2701**  A \$1231

Step 2. Frame Finish

**5011** white  A +\$0

# Traffic Low Square Table

XXTV2

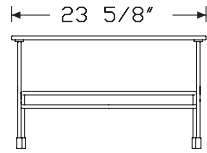
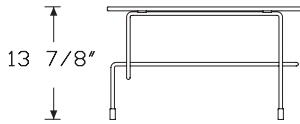
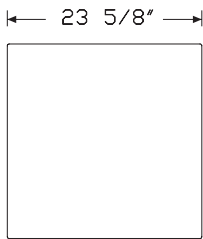


## Product Information

### Description

This table has a steel rod frame and 12mm acrylic stone top.

### Dimensions



## Specification Information

### Step 1.

**XXTV2710**  A \$950

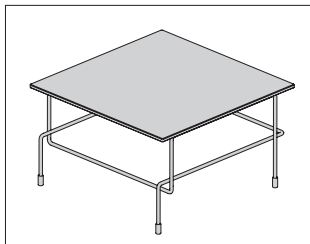
### Step 2. Frame Finish

**5011** white  A +\$0

**5013** black  A +\$0

HermanMiller Collection—Occasional Tables

Traffic Low Square Table, Suitable for Outdoor Use **XXTV2**

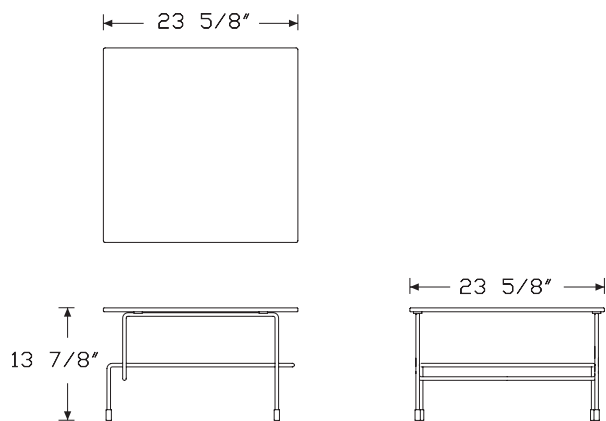


**Product Information**

**Description**

This table has a steel rod frame and 12mm acrylic stone top. Suitable for outdoor use.

**Dimensions**



**Specification Information**

**Step 1.**

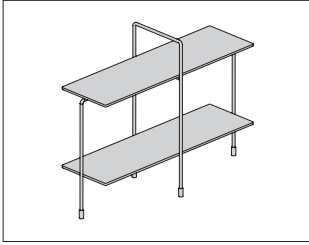
**XXTV2711** A \$1057

**Step 2. Frame Finish**

**5011** white A +\$0

# Traffic Low Side Table

XXTV2

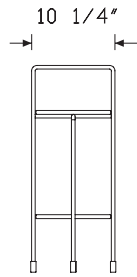
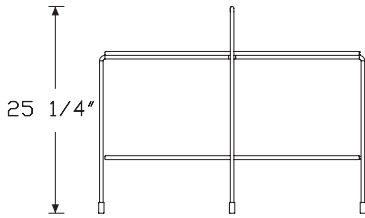
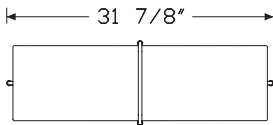


### Product Information

#### Description

This table has a steel rod frame and 12mm acrylic stone top.

#### Dimensions



### Specification Information

#### Step 1.

**XXTV2720**  A \$605

#### Step 2. Frame Finish

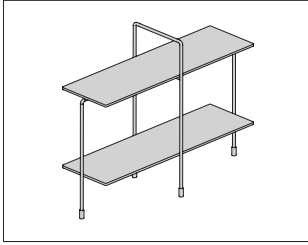
**5011** white  A +\$0

**5013** black  A +\$0

HermanMiller Collection—Occasional Tables

Traffic Low Side Table, Suitable  
for Outdoor Use

XXTV2



**Product Information**

Description

This table has a steel rod frame and 12mm acrylic stone top. Suitable for outdoor use.

Dimensions

**Specification Information**

Step 1.

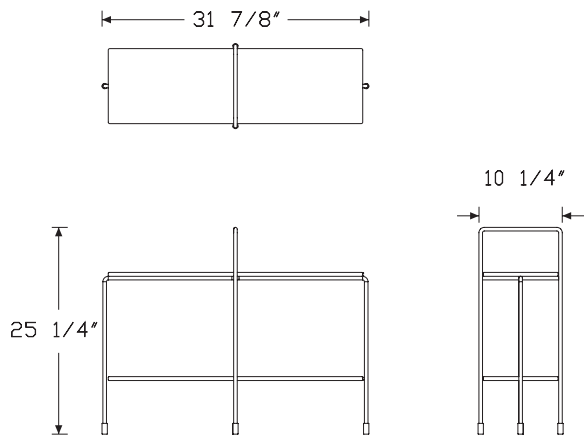
**XXTV2721**  A

\$666

Step 2. Frame Finish

**5011** white  A

+\$0





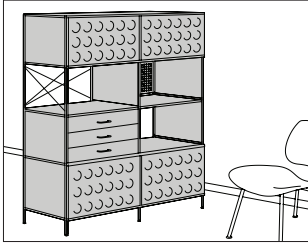
Storage





# Eames® Storage Unit

ESU100  
ESU150  
ESU201  
ESU230  
ESU420



## Product Information

### Description

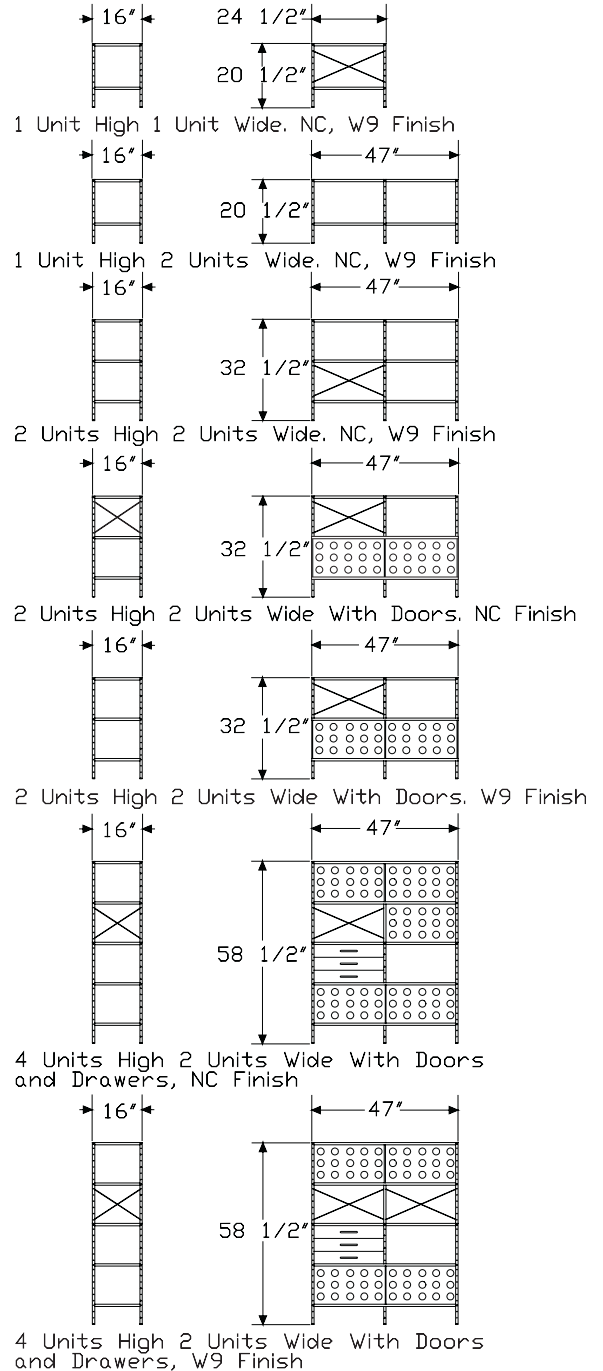
This storage unit is available in 1, 2, or 4 units high and 1 or 2 units wide with 5 configurations of shelves, drawers, and enclosed storage for books or binders. Some units have dimpled plywood doors; plywood drawer units and shelves; painted side and back panels; and steel uprights, cross supports, and perforated panels. The storage unit has adjustable glides.

### Notes

For 2 units high, 2 units wide configurations (ESU201., ESU230.) with natural color (NC) surface finish, the divider between the top shelves is a cross-bar wire.

For 2 units high, 2 units wide configurations (ESU201., ESU230.) with multi-color (W9) surface finish, the divider between the top shelves is a blue panel.

## Dimensions



# Eames® Storage Unit *continued*

## Specification Information

Step 1.

**ESU**  A

Step 2. Configuration

**150.** 1 unit high, 1 unit wide  A

**100.** 1 unit high, 2 units wide  A

**201.** 2 units high, 2 units wide  A

**230.** 2 units high, 2 units wide, with doors  A

**420.** 4 units high, 2 units wide  A

Prices for Steps 1-2.

<b>ESU150.</b>	\$789
<b>ESU100.</b>	\$1329
<b>ESU201.</b>	\$1772
<b>ESU230.</b>	\$2264
<b>ESU420.</b>	\$4182

Step 3. Frame Finish

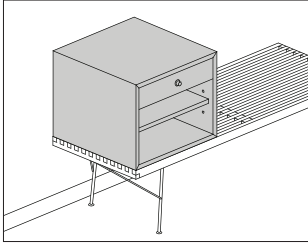
		<b>150.</b>	<b>100.</b>	<b>201.</b>	<b>230.</b>	<b>420.</b>
<b>ZC</b>	zinc plated <input type="checkbox"/> A	+\$0	0	0	0	0
<b>BU</b>	black <input type="checkbox"/> A	+\$49	49	77	77	157

Step 4. Surface Finish

<b>NC</b>	natural color <input type="checkbox"/> A	+\$0
<b>W9</b>	multi-color <input type="checkbox"/> A	+\$0

Nelson™ Basic Cabinet Series  
16.5 x 18

BC1618

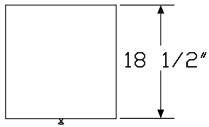


**Product Information**

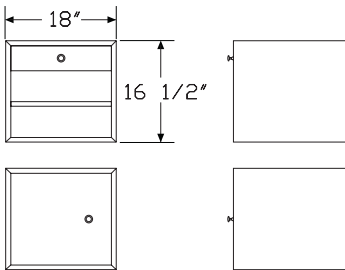
**Description**

This veneer cabinet provides small item storage and can be used freestanding or placed on top of the Nelson™ platform bench.

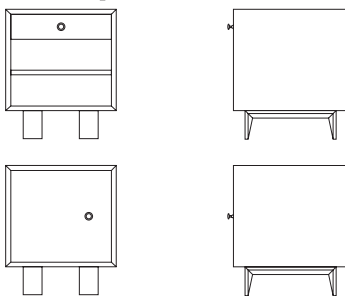
**Dimensions**



platform bench-mount base (B)



wood leg (W)



**Specification Information**

**Step 1.**

**BC1618.** [A]

**Step 2. Type**

- B** open cabinet with 1 drawer [A]
- C** closed cabinet, left-hinged door [A]
- D** closed cabinet, right-hinged door [A]

**Step 3. Leg/Base Option**

- W** wood leg [A]
- B** platform bench-mount base [A]

**Step 4. Pull**

- A** aluminum alloy pull, silver [A]

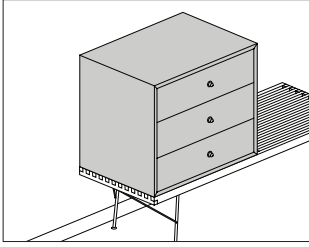
**Prices for Steps 1-4.**

	<b>A</b>
<b>BC1618. B W</b>	\$975
<b>B</b>	\$975
<b>C W</b>	\$975
<b>B</b>	\$975
<b>D W</b>	\$975
<b>B</b>	\$975

**Step 5. Finish**

- 2U** light brown walnut [A] +\$0
- OK** natural oak [A] +\$0

Nelson™ Basic Cabinet Series BC2424  
24 X 24



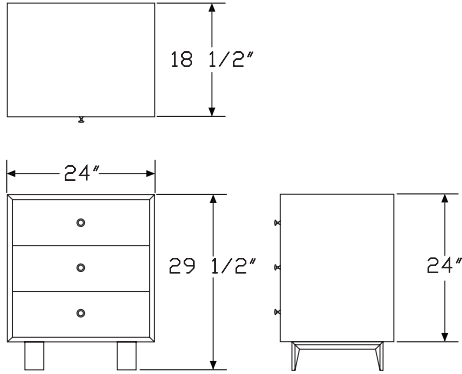
HermanMiller Collection—Storage

**Product Information**

**Description**

This veneer cabinet provides small item storage and can be used freestanding or placed on top of a Nelson™ platform bench.

**Dimensions**



**Specification Information**

**Step 1.**

**BC2424.**  A

**Step 2. Type**

**E** 3-drawer cabinet  A

**Step 3. Leg/Base Option**

**W** wood leg  A

**B** platform bench-mount base  A

**Step 4. Pull**

**A** aluminum alloy pull, silver  A

**Prices for Steps 1-4.**

		<b>A</b>
<b>BC2424. E</b>	<b>W</b>	\$2170
	<b>B</b>	\$2001

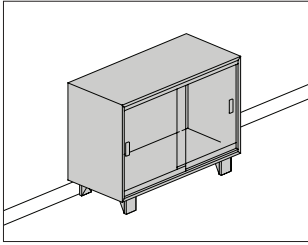
**Step 5. Finish**

**2U** light brown walnut  A + \$0

**OK** natural oak  A + \$0

Nelson™ Basic Cabinet Series  
24 X 34

BC2434

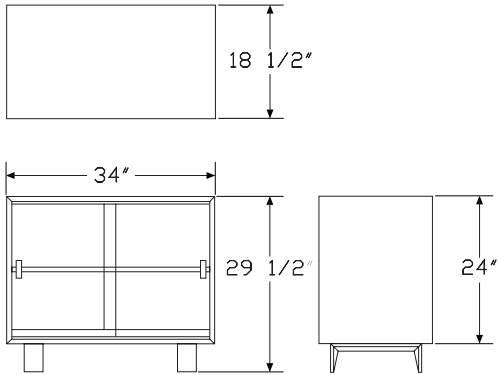


**Product Information**

**Description**

This veneer cabinet has 2 sliding glass doors and can be used freestanding or placed on top of a Nelson™ platform bench.

**Dimensions**



**Specification Information**

**Step 1.**

**BC2434.** [A]

**Step 2. Type**

**J** closed cabinet, 2 sliding doors [A]

**Step 3. Leg/Base Option**

**W** wood leg [A]

**B** platform bench-mount base [A]

**Step 4. Pull**

**N** no pull [A]

**Prices for Steps 1-4.**

			<b>N</b>
<b>BC2434.</b>	<b>J</b>	<b>W</b>	\$2373
		<b>B</b>	\$2205

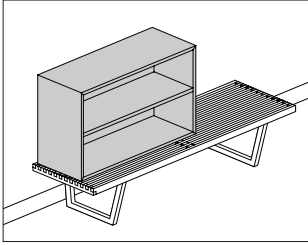
**Step 5. Finish**

**2U** light brown walnut [A] +\$0

**OK** natural oak [A] +\$0

Nelson™ Basic Cabinet Series  
24 x 34 Bookcase

BC2400



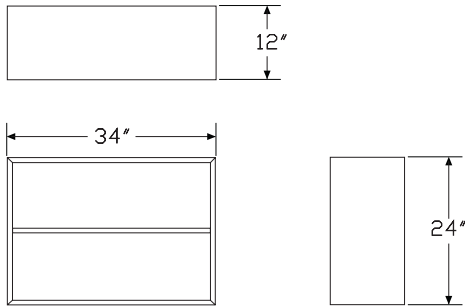
HermanMiller Collection—Storage

**Product Information**

**Description**

This 12"-deep veneer open bookcase sits on a Nelson™ platform bench and has a shelf that adjusts in 2" increments over a 6" range.

**Dimensions**



**Specification Information**

**Step 1.**

**BC2400.**  A

**Step 2. Type**

**H** open bookcase  A

**Step 3. Leg/Base Option**

**B** platform bench-mount base  A

**Step 4. Pull**

**N** no pull  A

**Prices for Steps 1-4.**

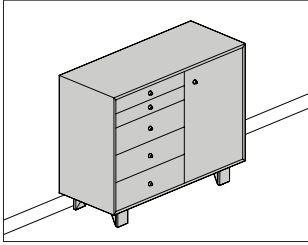
	<b>N</b>
<b>BC2400. H B</b>	\$1290

**Step 5. Finish**

<b>2U</b> light brown walnut <input type="checkbox"/> A	+ \$0
<b>OK</b> natural oak <input type="checkbox"/> A	+ \$0

Nelson™ Basic Cabinet Series  
34 X 40

BC3440



**Product Information**

**Description**

This veneer freestanding cabinet is available with 5 drawers on the left side with a single door on the right, or with 2 full width drawers over double drawers.

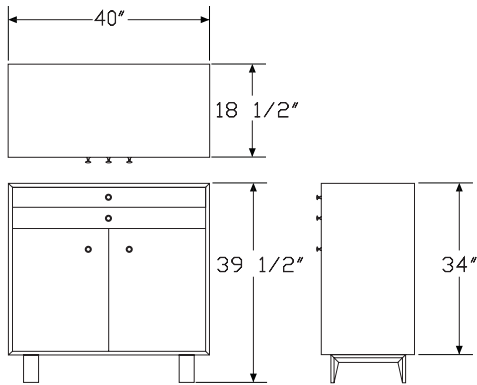
**Notes**

5-drawer cabinet with door option (L) has 2 shelves behind the door.

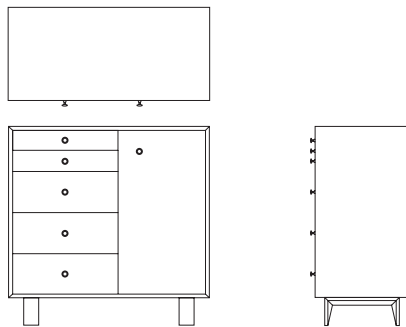
Each shelf adjusts in 2" increments over a 6" range.

Cabinet, 2 drawers over 2 doors option (M) has 1 shelf that adjusts in 2" increments over a 6" range.

**Dimensions**



M



L

**Specification Information**

**Step 1.**

**BC3440.** [A]

**Step 2. Type**

**L** 5-drawer cabinet with door [A]

**M** cabinet, 2 drawers over 2 doors [A]

**Step 3. Leg Option**

**W** wood leg [A]

**Step 4. Pull**

**A** aluminum alloy pull, silver [A]

**Prices for Steps 1-4.**

	<b>A</b>
<b>BC3440. L W</b>	\$2996
<b>M W</b>	\$2746

**Step 5. Finish**

**2U** light brown walnut [A] +\$0

**OK** natural oak [A] +\$0

Nelson™ Miniature Chest 6 Drawer NC526  
NC556



HermanMiller Collection—Storage

**Product Information**

**Description**

This chest has 6 small drawers with metal pulls. The chest body and drawers are constructed of solid wood as specified, with laminate on the top surface. Depending on the model, it has 3/8" solid-brass glides or a 4-star aluminum base with adjustable glides.

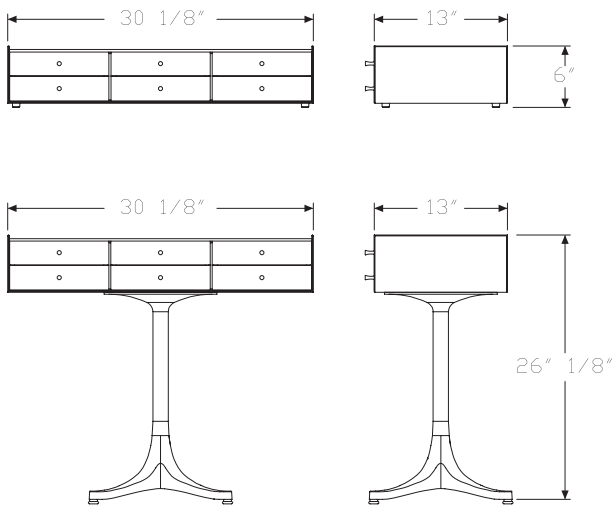
**Notes**

For the walnut and dark brown walnut combination (RT) option, the case finish is solid walnut and the drawer fronts are solid walnut stained dark brown.

For the white ash and walnut combination (UR) option, the case finish is solid white ash and the drawer fronts are solid walnut.

For the teak and dark brown teak combination (US) option, the case finish is solid teak and the drawer fronts are solid teak stained dark brown.

**Dimensions**



**Specification Information**

**Step 1.**

**NC5**  A

**Step 2. Type**

**26** without pedestal base  A

**56** with pedestal base  A

**Prices for Steps 1-2.**

<b>NC526</b>	\$2981
<b>NC556</b>	\$3424

**Step 3. Case Finish**

<b>OU</b>	walnut <input type="checkbox"/> A	+\$0
<b>RT</b>	walnut and dark brown walnut combination <input type="checkbox"/> A	+\$0
<b>A2</b>	white ash <input type="checkbox"/> A	+\$115
<b>UR</b>	white ash and walnut combination <input type="checkbox"/> A	+\$115
<b>OT</b>	teak <input type="checkbox"/> A	+\$591
<b>US</b>	teak and dark brown teak combination <input type="checkbox"/> A	+\$591

**Step 4. Top Finish**

**Solid-Color Laminate**

<b>98</b>	studio white <input type="checkbox"/> A	+\$0
<b>BK</b>	black - generic <input type="checkbox"/> A	+\$0

**Step 5. Pull Finish**

<b>98</b>	metal pull, studio white <input type="checkbox"/> A	+\$0
<b>BK</b>	metal pull, black <input type="checkbox"/> A	+\$0
<b>L</b>	metal pull, aluminum <input type="checkbox"/> A	+\$0

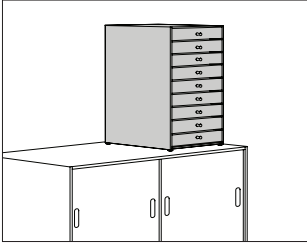
**Step 6. Base Finish**

*For with pedestal base (56)*

<b>98</b>	studio white <input type="checkbox"/> A	+\$0
<b>BK</b>	black <input type="checkbox"/> A	+\$0
<b>L</b>	polished aluminum <input type="checkbox"/> A	+\$50



Nelson™ Miniature Chest 9 Drawer NC529  
NC559



**Product Information**

**Description**

This chest has 9 small drawers with metal pulls. The chest body and drawers are constructed of solid wood as specified. Depending on the model, it has 3/8" solid-brass glides or a 4-star aluminum base with adjustable glides.

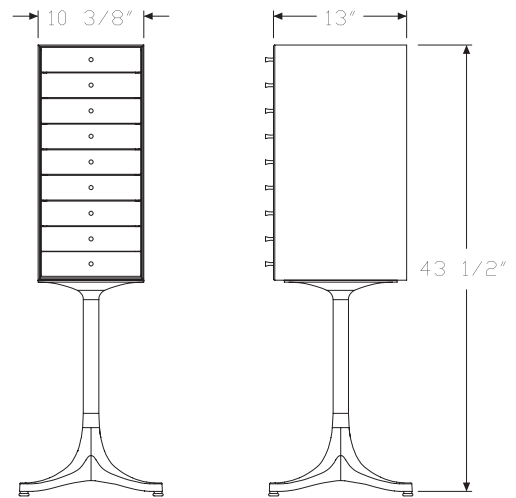
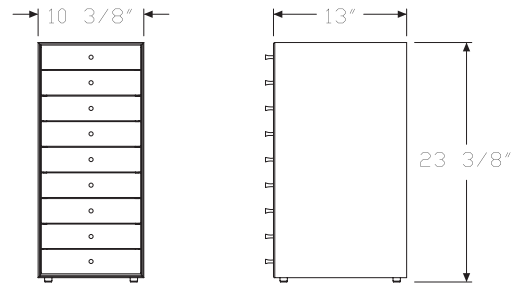
**Notes**

For the walnut and dark brown walnut combination (RT) option, the case finish is solid walnut and the drawer fronts are solid walnut stained dark brown.

For the white ash and walnut combination (UR) option, the case finish is solid white ash and the drawer fronts are solid walnut.

For the teak and dark brown teak combination (US) option, the case finish is solid teak and the drawer fronts are solid teak stained dark brown.

**Dimensions**



# Nelson™ Miniature Chest 9 Drawer

continued

HermanMiller Collection—Storage

## Specification Information

Step 1.

**NC5**

Step 2. Type

**29** without pedestal base

**59** with pedestal base

Prices for Steps 1-2.

**NC529** \$3192

**NC559** \$3610

Step 3. Case Finish

**OU** walnut  +\$0

**RT** walnut and dark brown walnut combination  +\$0

**A2** white ash  +\$144

**UR** white ash and walnut combination  +\$144

**OT** teak  +\$856

**US** teak and dark brown teak combination  +\$856

Step 4. Pull Finish

**98** metal pull, studio white  +\$0

**BK** metal pull, black  +\$0

**L** metal pull, aluminum  +\$0

Step 5. Base Finish

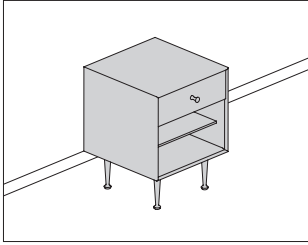
*For with pedestal base (59)*

**98** studio white  +\$0

**BK** black  +\$0

**L** polished aluminum  +\$50

# Nelson™ Thin Edge Bedside Table TE1618



## Product Information

### Description

This bedside table has polished aluminum legs. The drawer has solid wood construction with soft closing slides.

### Notes

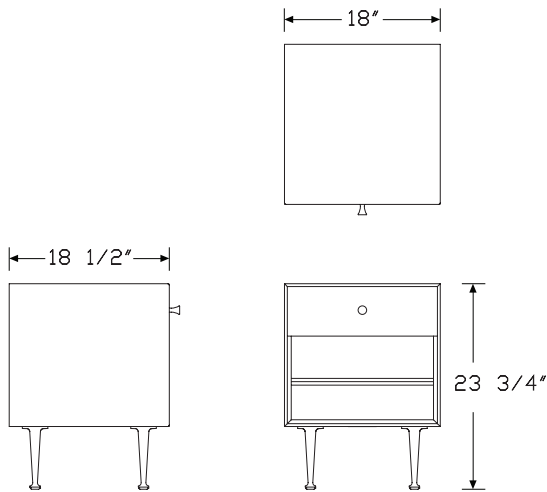
The unfinished back panel (BCF) option is intended for applications where this table will be placed against a wall.

For the walnut and dark brown walnut combination (RT) option, the case finish is walnut (OU) and the drawer or door fronts are dark brown walnut (40).

For the white ash and walnut combination (UR) option, the case finish is white ash (A2) and the drawer or door fronts are walnut (OU).

Santos palisander veneer is celebrated for its unique grain and color variations. Similar products ordered in multiples or dissimilar products ordered separately should be expected to have variation in both grain and color characteristics; no two products will look exactly alike.

### Dimensions



## Specification Information

### Step 1.

**TE1618.** [A]

### Step 2. Type

**L** bedside table with 1 drawer and 1 shelf [A]

### Step 3. Leg

**H** 7" polished aluminum with height adjustable glide [A]

### Step 4. Pull

**A** aluminum alloy pull, silver [A]

**B** metal pull, aluminum [A]

**C** metal pull, white [A]

**D** metal pull, black [A]

### Prices for Steps 1-4.

		A	B	C	D
<b>TE1618.</b>	<b>L H</b>	\$2054	2079	2079	2079

### Step 5. Case Finish

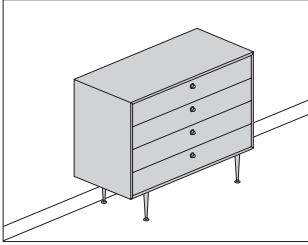
<b>OU</b>	walnut [A]				+\$0
<b>A2</b>	white ash [A]				+\$182
<b>RT</b>	walnut and dark brown walnut combination [A]				+\$182
<b>UR</b>	white ash and walnut combination [A]				+\$182
<b>9N</b>	santos palisander [A]				+\$6305

### Step 6. Back Panel

		OU	A2	RT	UR	9N
<b>BCF</b>	unfinished (matte black) [A]	+\$0	0	0	0	0
<b>BCG</b>	finished alike [A]	+\$155	155	155	155	1397

Nelson™ Thin Edge Chest

TE2100



HermanMiller Collection—Storage

**Product Information**

**Description**

This chest has polished aluminum legs and either 3 or 4 drawers. Drawers are solid wood construction with soft closing slides.

**Notes**

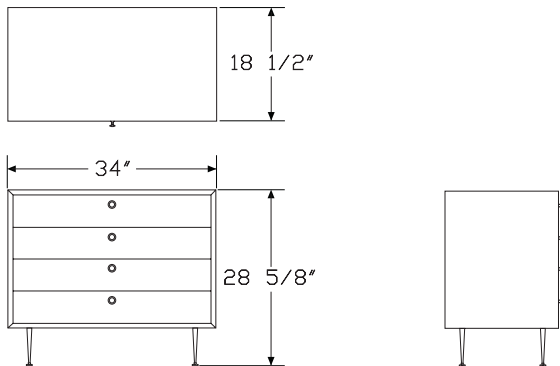
The unfinished back panel (BCF) option is intended for applications where this chest will be placed against a wall.

For the walnut and dark brown walnut combination (RT) option, the case finish is walnut (OU) and the drawer or door fronts are dark brown walnut (40).

For the white ash and walnut combination (UR) option, the case finish is white ash (A2) and the drawer or door fronts are walnut (OU).

Santos palisander veneer is celebrated for its unique grain and color variations. Similar products ordered in multiples or dissimilar products ordered separately should be expected to have variation in both grain and color characteristics; no two products will look exactly alike.

**Dimensions**



**Specification Information**

**Step 1.**

**TE2100.** [A]

**Step 2. Type**

- S** 4 drawer chest [A]
- T** 3 drawer chest [A]

**Step 3. Leg**

- H** 7" polished aluminum with height adjustable glide [A]

**Step 4. Pull**

- A** aluminum alloy pull, silver [A]
- B** metal pull, aluminum [A]
- C** metal pull, white [A]
- D** metal pull, black [A]

**Prices for Steps 1-4.**

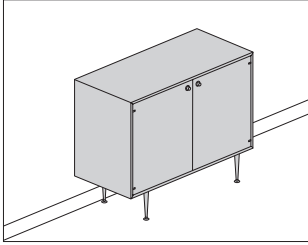
		<b>A</b>	<b>B</b>	<b>C</b>	<b>D</b>
<b>TE2100.</b>	<b>S H</b>	\$4918	4970	4970	4970
	<b>T H</b>	\$4672	4724	4724	4724

**Step 5. Case Finish**

- OU** walnut [A] +\$0
- A2** white ash [A] +\$233
- RT** walnut and dark brown walnut combination [A] +\$233
- UR** white ash and walnut combination [A] +\$233
- 9N** santos palisander [A] +\$6305

**Step 6. Back Panel**

		<b>OU</b>	<b>A2</b>	<b>RT</b>	<b>UR</b>	<b>9N</b>
<b>BCF</b>	unfinished (matte black) [A]	+\$0	0	0	0	0
<b>BCG</b>	finished alike [A]	+\$155	155	155	155	776



**Product Information**

**Description**

This 2-door cabinet has polished aluminum legs and one adjustable shelf.

**Notes**

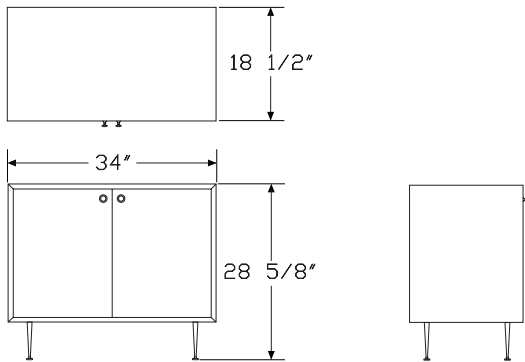
The unfinished back panel (BCF) option is intended for applications where this chest will be placed against a wall.

For the walnut and dark brown walnut combination (RT) option, the case finish is walnut (OU) and the drawer or door fronts are dark brown walnut (40).

For the white ash and walnut combination (UR) option, the case finish is white ash (A2) and the drawer or door fronts are walnut (OU).

Santos palisander veneer is celebrated for its unique grain and color variations. Similar products ordered in multiples or dissimilar products ordered separately should be expected to have variation in both grain and color characteristics; no two products will look exactly alike.

**Dimensions**



**Specification Information**

**Step 1.**

**TE2134.** [A]

**Step 2. Type**

**G** enclosed cabinet with 2 hinged doors [A]

**Step 3. Leg**

**H** 7" polished aluminum with height adjustable glide [A]

**Step 4. Pull**

**A** aluminum alloy pull, silver [A]

**B** metal pull, aluminum [A]

**C** metal pull, white [A]

**D** metal pull, black [A]

**Prices for Steps 1-4.**

	<b>A</b>	<b>B</b>	<b>C</b>	<b>D</b>
<b>TE2134. G H</b>	\$3850	3902	3902	3902

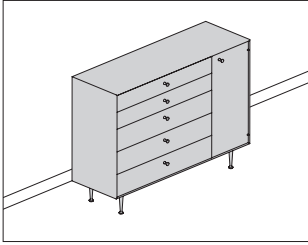
**Step 5. Case Finish**

<b>OU</b>	walnut [A]				+\$0
<b>A2</b>	white ash [A]				+\$182
<b>RT</b>	walnut and dark brown walnut combination [A]				+\$182
<b>UR</b>	white ash and walnut combination [A]				+\$182
<b>9N</b>	santos palisander [A]				+\$6305

**Step 6. Back Panel**

		<b>OU</b>	<b>A2</b>	<b>RT</b>	<b>UR</b>	<b>9N</b>
<b>BCF</b>	unfinished (matte black) [A]	+\$0	0	0	0	0
<b>BCG</b>	finished alike [A]	+\$155	155	155	155	1397

# Nelson™ Thin Edge Chest Cabinet TE3400



## Product Information

### Description

This chest cabinet has polished aluminum legs. The 5 drawers have solid wood construction with soft closing slides. The 1-door cabinet portion has 2 adjustable shelves.

### Notes

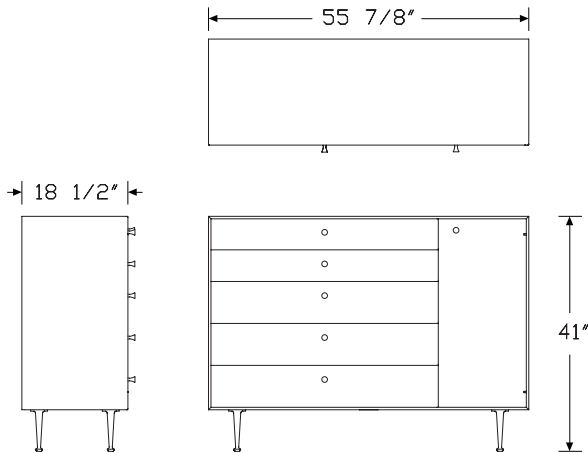
The unfinished back panel (BCF) option is intended for applications where this chest will be placed against a wall.

For the walnut and dark brown walnut combination (RT) option, the case finish is walnut (OU) and the drawer or door fronts are dark brown walnut (40).

For the white ash and walnut combination (UR) option, the case finish is white ash (A2) and the drawer or door fronts are walnut (OU).

Santos palisander veneer is celebrated for its unique grain and color variations. Similar products ordered in multiples or dissimilar products ordered separately should be expected to have variation in both grain and color characteristics; no two products will look exactly alike.

## Dimensions



## Specification Information

### Step 1.

**TE3400.** A

### Step 2. Type

**E** 5 drawer cabinet with 1 right door A

**M** 5 drawer cabinet with 1 left door A

### Step 3. Leg

**H** 7" polished aluminum with height adjustable glide A

### Step 4. Pull

**A** aluminum alloy pull, silver A

**B** metal pull, aluminum A

**C** metal pull, white A

**D** metal pull, black A

### Prices for Steps 1-4.

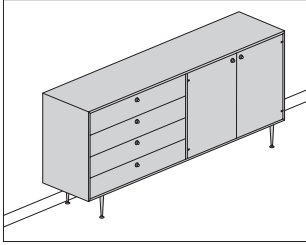
		A	B	C	D
<b>TE3400.</b>	<b>E H</b>	\$8220	8271	8271	8271
	<b>M H</b>	\$8220	8271	8271	8271

### Step 5. Case Finish

<b>OU</b>	walnut <span style="border: 1px solid black; padding: 0 2px;">A</span>				+\$0
<b>A2</b>	white ash <span style="border: 1px solid black; padding: 0 2px;">A</span>				+\$384
<b>RT</b>	walnut and dark brown walnut combination <span style="border: 1px solid black; padding: 0 2px;">A</span>				+\$384
<b>UR</b>	white ash and walnut combination <span style="border: 1px solid black; padding: 0 2px;">A</span>				+\$384
<b>9N</b>	santos palisander <span style="border: 1px solid black; padding: 0 2px;">A</span>				+\$8991

### Step 6. Back Panel

		OU	A2	RT	UR	9N
<b>BCF</b>	unfinished (matte black) <span style="border: 1px solid black; padding: 0 2px;">A</span>	+\$0	0	0	0	0
<b>BCG</b>	finished alike <span style="border: 1px solid black; padding: 0 2px;">A</span>	+\$260	260	260	260	2796



**Product Information**

**Description**

This buffet has polished aluminum legs. The four drawers have solid wood construction with soft closing slides. The two-door cabinet portion has 2 adjustable shelves.

**Notes**

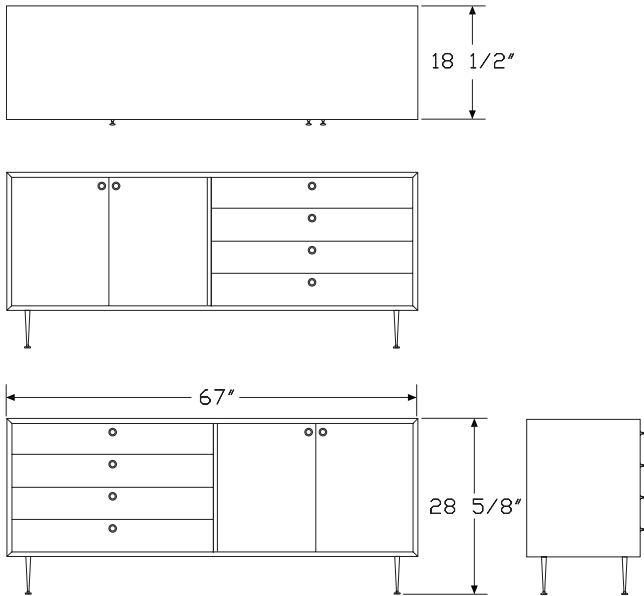
The unfinished back panel (BCF) option is intended for applications where this chest will be placed against a wall.

For the walnut and dark brown walnut combination (RT) option, the case finish is walnut (OU) and the drawer or door fronts are dark brown walnut (40).

For the white ash and walnut combination (UR) option, the case finish is white ash (A2) and the drawer or door fronts are walnut (OU).

Santos palisander veneer is celebrated for its unique grain and color variations. Similar products ordered in multiples or dissimilar products ordered separately should be expected to have variation in both grain and color characteristics; no two products will look exactly alike.

**Dimensions**



**Specification Information**

**Step 1.**

**TE2167.** [A]

**Step 2. Type**

**R** 4 drawer buffet with 2 doors [A]

**L** 4 drawer buffet with 2 left doors [A]

**Step 3. Leg**

**H** 7" polished aluminum with height adjustable glide [A]

**Step 4. Pull**

**A** aluminum alloy pull, silver [A]

**B** metal pull, aluminum [A]

**C** metal pull, white [A]

**D** metal pull, black [A]

**Prices for Steps 1-4.**

		<b>A</b>	<b>B</b>	<b>C</b>	<b>D</b>
<b>TE2167.</b>	<b>R H</b>	\$8096	8149	8149	8149
	<b>L H</b>	\$8096	8149	8149	8149

**Step 5. Case Finish**

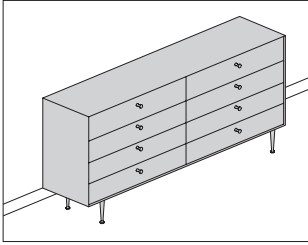
<b>OU</b>	walnut [A]				+\$0
<b>A2</b>	white ash [A]				+\$384
<b>RT</b>	walnut and dark brown walnut combination [A]				+\$384
<b>UR</b>	white ash and walnut combination [A]				+\$384
<b>9N</b>	santos palisander [A]				+\$8991

**Step 6. Back Panel**

		<b>OU</b>	<b>A2</b>	<b>RT</b>	<b>UR</b>	<b>9N</b>
<b>BCF</b>	unfinished (matte black) [A]	+\$0	0	0	0	0
<b>BCG</b>	finished alike [A]	+\$260	260	260	260	2796

# Nelson™ Thin Edge Double Dresser

TE0204



HermanMiller Collection—Storage

## Product Information

### Description

This double dresser has polished aluminum legs. The 8 drawers have solid wood construction with soft closing slides.

### Notes

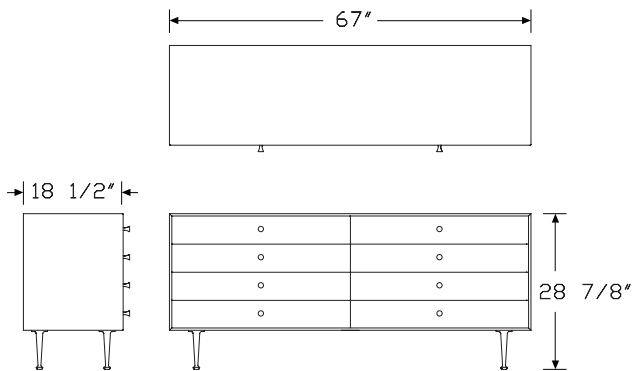
The unfinished back panel (BCF) option is intended for applications where this dresser will be placed against a wall.

For the walnut and dark brown walnut combination (RT) option, the case finish is walnut (OU) and the drawer or door fronts are dark brown walnut (40).

For the white ash and walnut combination (UR) option, the case finish is white ash (A2) and the drawer or door fronts are walnut (OU).

Santos palisander veneer is celebrated for its unique grain and color variations. Similar products ordered in multiples or dissimilar products ordered separately should be expected to have variation in both grain and color characteristics; no two products will look exactly alike.

## Dimensions



## Specification Information

### Step 1.

**TE0204.** A

### Step 2. Type

**J** eight drawer dresser A

### Step 3. Leg

**H** 7" polished aluminum with height adjustable glide A

### Step 4. Pull

**A** aluminum alloy pull, silver A

**B** metal pull, aluminum A

**C** metal pull, white A

**D** metal pull, black A

### Prices for Steps 1-4.

	A	B	C	D
<b>TE0204. J H</b>	\$6902	6953	6953	6953

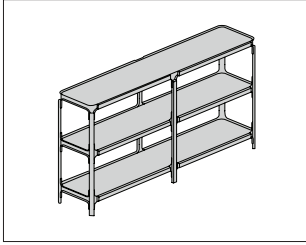
### Step 5. Case Finish

<b>OU</b> walnut <span style="border: 1px solid black; padding: 0 2px;">A</span>				+\$0
<b>A2</b> white ash <span style="border: 1px solid black; padding: 0 2px;">A</span>				+\$384
<b>RT</b> walnut and dark brown walnut combination <span style="border: 1px solid black; padding: 0 2px;">A</span>				+\$384
<b>UR</b> white ash and walnut combination <span style="border: 1px solid black; padding: 0 2px;">A</span>				+\$384
<b>9N</b> santos palisander <span style="border: 1px solid black; padding: 0 2px;">A</span>				+\$8991

### Step 6. Back Panel

	OU	A2	RT	UR	9N
<b>BCF</b> unfinished (matte black) <span style="border: 1px solid black; padding: 0 2px;">A</span>	+\$0	0	0	0	0
<b>BCG</b> finished alike <span style="border: 1px solid black; padding: 0 2px;">A</span>	+\$260	260	260	260	2796



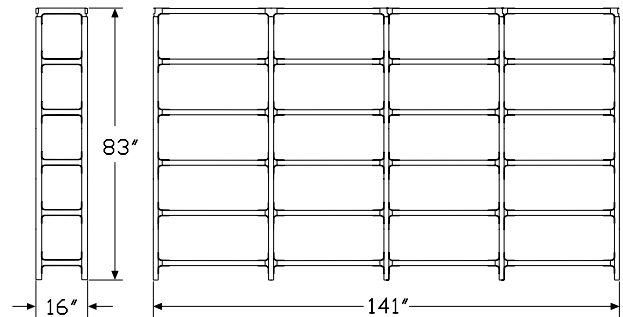
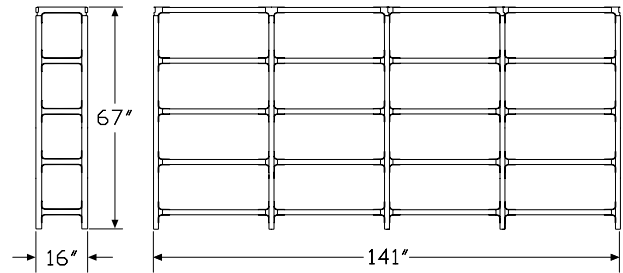
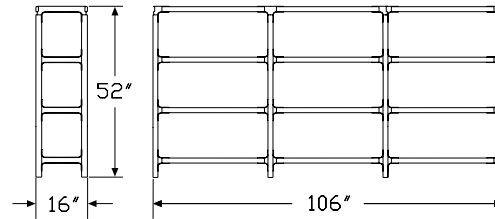
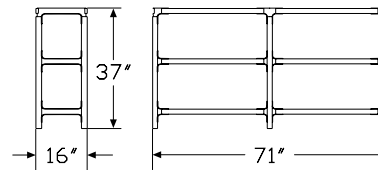
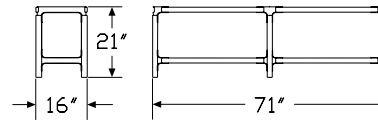


**Product Information**

**Description**

This shelving system has a natural beech frame, available in natural or painted. Steel plate joints are painted in epoxy resin. Shelves are painted medium-density fiberboard.

**Dimensions**



# Steelwood Shelving System

continued

HermanMiller Collection—Storage

## Specification Information

Step 1.

**MGS90.**  A

Step 2. Number of Shelves

- 2 2 shelves  A
- 3 3 shelves  A
- 4 4 shelves  A
- 5 5 shelves  A
- 6 6 shelves  A

Step 3. Number of Modules

- 1 1 Module  A
- 2 2 modules  A
- 3 3 modules  A
- 4 4 modules  A

Prices for Steps 1-3.

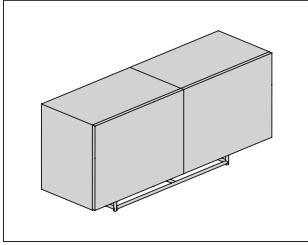
	1	2	3	4
<b>MGS90.2</b>	\$909	1682	2419	3176
3	\$1291	2366	3449	4541
4	\$1735	3139	4566	5960
5	\$2251	4015	5781	7550
6	\$2786	4967	7175	9335

Step 4. Frame/Shelf Finish

- YMB** black  A +\$0
- YMC** natural beech/white  A +\$0
- YMF** white  A +\$0

# Domino Credenza

IWCS2



### Product Information

#### Description

This credenza provides shelf storage, is 2 units wide, and comes with contrasting exterior and interior veneer. Standard interior veneer is ash, and exterior veneer is available in santos palisander, walnut, and ebony. Credenza back exterior is finished. Bases and pulls are metal with chrome or satin chrome finish. Hinged door units 26" high include 1 adjustable shelf that is 3/4" thick.

#### Notes

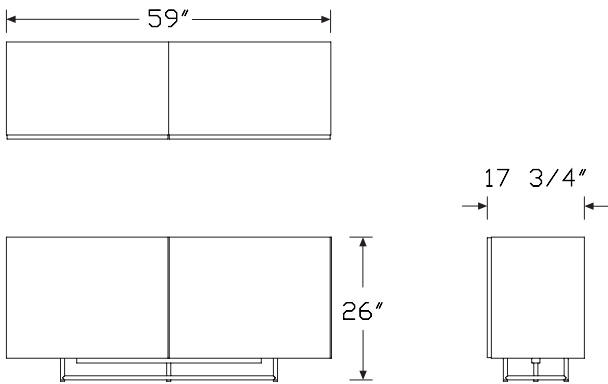
Locks are not available.

Shelves match interior finish.

Wood components in credenzas 2 and 3 units wide ship assembled.

Bases ship separately and must be field installed.

#### Dimensions



### Specification Information

#### Step 1.

**IWCS2C-185926** [A] \$4742

#### Step 2. Wood Finish

##### Matte Finishes

<b>DAE</b>	ebony exterior, ash interior	[A]	+\$0
<b>DAR</b>	santos palisander exterior, ash interior	[A]	+\$0
<b>DAW</b>	walnut exterior, ash interior	[A]	+\$0

#### Step 3. Base Finish

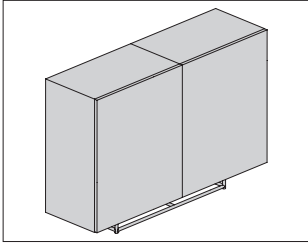
<b>CHR</b>	chrome	[A]	+\$0
<b>SAC</b>	satin chrome	[A]	+\$0

#### Step 4. Pull Finish

<b>CHR</b>	chrome	[A]	+\$0
<b>SAC</b>	satin chrome	[A]	+\$0

# Domino Sideboard

IWSS2



HermanMiller Collection—Storage

## Product Information

### Description

This sideboard provides shelf storage, is 2 units wide, and comes with contrasting exterior and interior veneer. Standard interior veneer is ash, and exterior veneer is available in santos palisander, walnut, and ebony. Credenza back exterior is finished. Bases and pulls are metal with chrome or satin chrome finish. Hinged door units 40" high include 2 adjustable shelves that are each  $\frac{3}{4}$ " thick.

### Notes

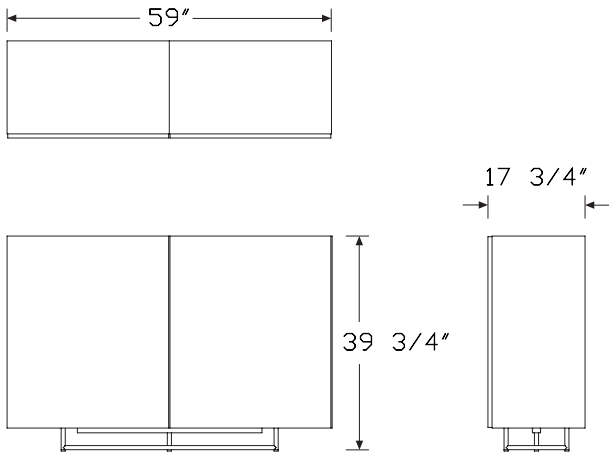
Locks are not available.

Shelves match interior finish.

Wood components in credenzas 2 and 3 units wide ship assembled.

Bases ship separately and must be field installed.

## Dimensions



## Specification Information

### Step 1.

**IWSS2C-185940** [A] \$5763

### Step 2. Wood Finish

#### Matte Finishes

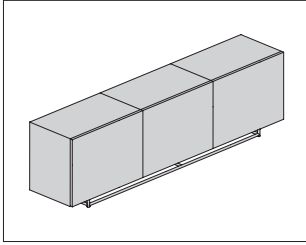
**DAE** ebony exterior, ash interior [A] +\$0  
**DAR** santos palisander exterior, ash interior [A] +\$0  
**DAW** walnut exterior, ash interior [A] +\$0

### Step 3. Base Finish

**CHR** chrome [A] +\$0  
**SAC** satin chrome [A] +\$0

### Step 4. Pull Finish

**CHR** chrome [A] +\$0  
**SAC** satin chrome [A] +\$0



**Product Information**

**Description**

This credenza provides shelf storage, is 3 units wide, and comes with contrasting exterior and interior veneer. Standard interior veneer is ash, and exterior veneer is available in santos palisander, walnut, and ebony. Credenza back exterior is finished. Bases and pulls are metal with chrome or satin chrome finish. Hinged door units 26" high include 1 adjustable shelf that is 3/4" thick.

**Notes**

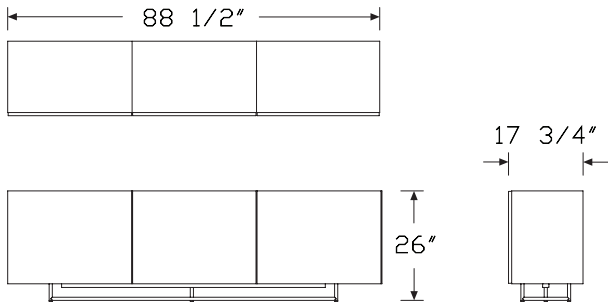
Locks are not available.

Shelves match interior finish.

Wood components in credenzas 2 and 3 units wide ship assembled.

Bases ship separately and must be field installed.

**Dimensions**



**Specification Information**

**Step 1.**

**IWCS3C-188926** [A] \$7115

**Step 2. Wood Finish**

**Matte Finishes**

<b>DAE</b>	ebony exterior, ash interior [A]	+\$0
<b>DAR</b>	santos palisander exterior, ash interior [A]	+\$0
<b>DAW</b>	walnut exterior, ash interior [A]	+\$0

**Step 3. Base Finish**

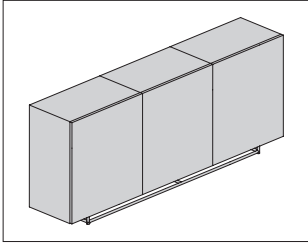
<b>CHR</b>	chrome [A]	+\$0
<b>SAC</b>	satin chrome [A]	+\$0

**Step 4. Pull Finish**

<b>CHR</b>	chrome [A]	+\$0
<b>SAC</b>	satin chrome [A]	+\$0

# Domino Sideboard

IWSS3



HermanMiller Collection—Storage

## Product Information

### Description

This sideboard provides shelf storage, is 3 units wide, and comes with contrasting exterior and interior veneer. Standard interior veneer is ash, and exterior veneer is available in santos palisander, walnut, and ebony. Credenza back exterior is finished. Bases and pulls are metal with chrome or satin chrome finish. Hinged door units 40" high include 2 adjustable shelves that are each  $\frac{3}{4}$ " thick.

### Notes

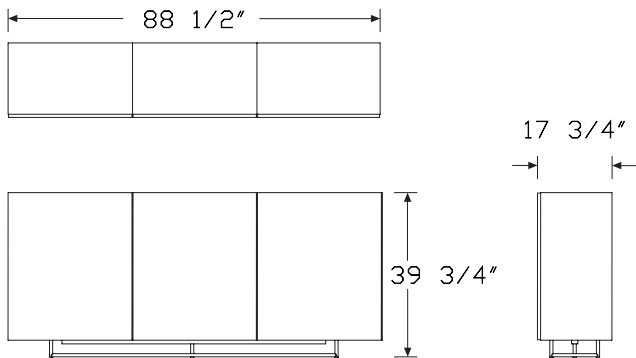
Locks are not available.

Shelves match interior finish.

Wood components in credenzas 2 and 3 units wide ship assembled.

Bases ship separately and must be field installed.

## Dimensions



## Specification Information

### Step 1.

**IWSS3C-188940** [A] \$8666

### Step 2. Wood Finish

#### Matte Finishes

**DAE** ebony exterior, ash interior [A] +\$0  
**DAR** santos palisander exterior, ash interior [A] +\$0  
**DAW** walnut exterior, ash interior [A] +\$0

### Step 3. Base Finish

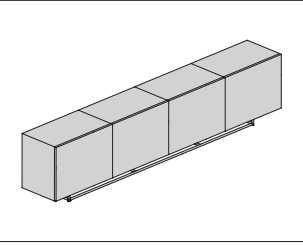
**CHR** chrome [A] +\$0  
**SAC** satin chrome [A] +\$0

### Step 4. Pull Finish

**CHR** chrome [A] +\$0  
**SAC** satin chrome [A] +\$0

# Domino Credenza

IWCS4



### Product Information

#### Description

This credenza provides shelf storage, is 4 units wide, and comes with contrasting exterior and interior veneer. Standard interior veneer is ash, and exterior veneer is available in santos palisander, walnut, and ebony. Credenza back exterior is finished. Bases and pulls are metal with chrome or satin chrome finish. Hinged door units 26" high include 1 adjustable shelf that is 3/4" thick.

#### Notes

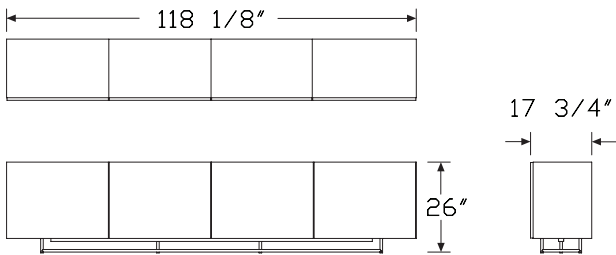
Locks are not available.

Shelves match interior finish.

Wood components in 4-unit-wide credenzas ship as 2 assembled units.

Bases ship separately and must be field installed.

#### Dimensions



### Specification Information

#### Step 1.

**IWCS4C-1811826** [A] \$9486

#### Step 2. Wood Finish

##### Matte Finishes

<b>DAE</b>	ebony exterior, ash interior	[A]	+\$0
<b>DAR</b>	santos palisander exterior, ash interior	[A]	+\$0
<b>DAW</b>	walnut exterior, ash interior	[A]	+\$0

#### Step 3. Base Finish

<b>CHR</b>	chrome	[A]	+\$0
<b>SAC</b>	satin chrome	[A]	+\$0

#### Step 4. Pull Finish

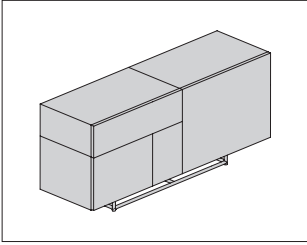
<b>CHR</b>	chrome	[A]	+\$0
<b>SAC</b>	satin chrome	[A]	+\$0

Herman Miller Collection—Storage

# Domino Credenza

IWCM2

HermanMiller Collection—Storage



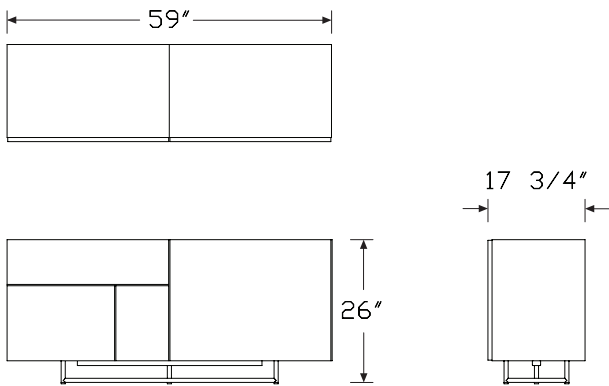
### Product Information

**Description**  
 This credenza provides mixed storage, is 2 units wide, and comes with contrasting exterior and interior veneer. Standard interior veneer is ash, and exterior veneer is available in santos palisander, walnut, and ebony. Credenza back exterior is finished. Drawer boxes are quarter cut natural ash, and waste bin is a removable quarter cut natural ash box. Drawer boxes and waste bin have a hand-rubbed tung oil finish. Bases and pulls are metal with chrome or satin chrome finish. File drawers include stainless steel rods for hanging folders. Hinged door units 26" high include 1 adjustable shelf that is 3/4" thick.

### Notes

Locks are not available.  
 Shelves match interior finish.  
 Wood components in credenzas 2 and 3 units wide ship assembled.  
 Bases ship separately and must be field installed.

### Dimensions



### Specification Information

**Step 1.**  
**IWCM2C-185926** [A] \$10250

### Step 2. Wood Finish

#### Matte Finishes

<b>DAE</b>	ebony exterior, ash interior [A]	+\$0
<b>DAR</b>	santos palisander exterior, ash interior [A]	+\$0
<b>DAW</b>	walnut exterior, ash interior [A]	+\$0

### Step 3. Base Finish

<b>CHR</b>	chrome [A]	+\$0
<b>SAC</b>	satin chrome [A]	+\$0

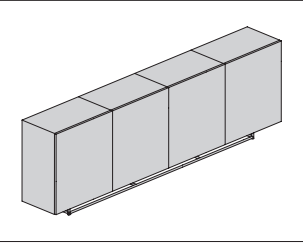
### Step 4. Pull Finish

<b>CHR</b>	chrome [A]	+\$0
<b>SAC</b>	satin chrome [A]	+\$0



# Domino Sideboard

IWSS4



### Product Information

#### Description

This sideboard provides shelf storage, is 4 units wide, and comes with contrasting exterior and interior veneer. Standard interior veneer is ash, and exterior veneer is available in santos palisander, walnut, and ebony. Credenza back exterior is finished. Bases and pulls are metal with chrome or satin chrome finish. Hinged door units 40" high include 2 adjustable shelves that are each 3/4" thick.

#### Notes

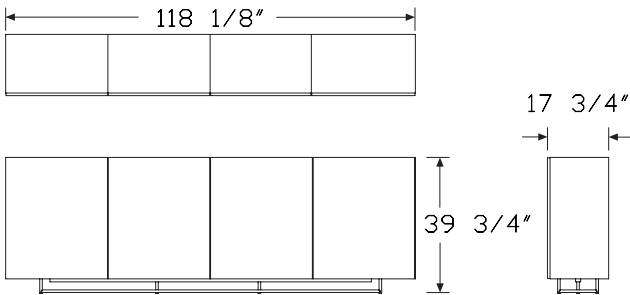
Locks are not available.

Shelves match interior finish.

Wood components in 4-unit-wide credenzas ship as 2 assembled units.

Bases ship separately and must be field installed.

#### Dimensions



### Specification Information

#### Step 1.

**IWSS4C-1811840** [A] \$11526

#### Step 2. Wood Finish

##### Matte Finishes

<b>DAE</b>	ebony exterior, ash interior	[A]	+\$0
<b>DAR</b>	santos palisander exterior, ash interior	[A]	+\$0
<b>DAW</b>	walnut exterior, ash interior	[A]	+\$0

#### Step 3. Base Finish

<b>CHR</b>	chrome	[A]	+\$0
<b>SAC</b>	satin chrome	[A]	+\$0

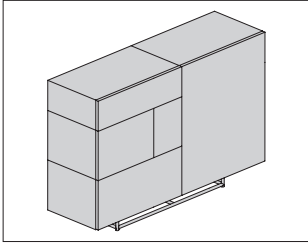
#### Step 4. Pull Finish

<b>CHR</b>	chrome	[A]	+\$0
<b>SAC</b>	satin chrome	[A]	+\$0

HermanMiller Collection—Storage

# Domino Sideboard

IWSM2



HermanMiller Collection—Storage

## Product Information

### Description

This sideboard provides mixed storage, is 2 units wide, and comes with contrasting exterior and interior veneer. Standard interior veneer is ash, and exterior veneer is available in santos palisander, walnut, and ebony. Credenza back exterior is finished. Drawer boxes are quarter cut natural ash, and waste bin is a removable quarter cut natural ash box. Drawer boxes and waste bin have a hand-rubbed tung oil finish. Bases and pulls are metal with chrome or satin chrome finish. File drawers include stainless steel rods for hanging folders. Hinged door units 40" high include 2 adjustable shelves that are each 3/4" thick.

### Notes

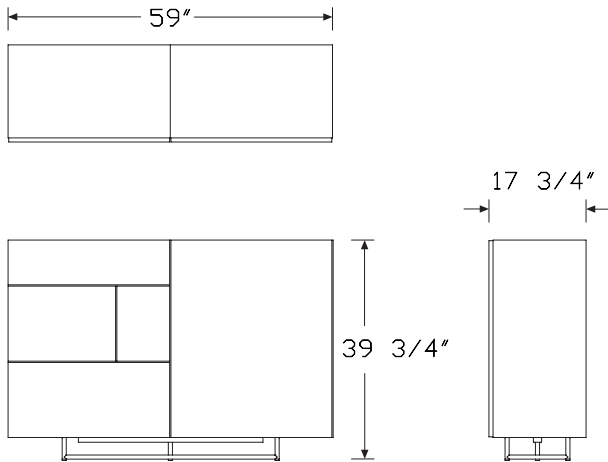
Locks are not available.

Shelves match interior finish.

Wood components in credenzas 2 and 3 units wide ship assembled.

Bases ship separately and must be field installed.

## Dimensions



## Specification Information

### Step 1.

**IWSM2C-185940** [A] \$13270

### Step 2. Wood Finish

#### Matte Finishes

<b>DAE</b>	ebony exterior, ash interior	[A]	+\$0
<b>DAR</b>	santos palisander exterior, ash interior	[A]	+\$0
<b>DAW</b>	walnut exterior, ash interior	[A]	+\$0

### Step 3. Base Finish

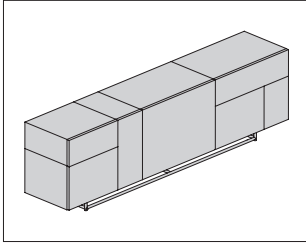
<b>CHR</b>	chrome	[A]	+\$0
<b>SAC</b>	satin chrome	[A]	+\$0

### Step 4. Pull Finish

<b>CHR</b>	chrome	[A]	+\$0
<b>SAC</b>	satin chrome	[A]	+\$0

# Domino Credenza

IWCM3



### Product Information

#### Description

This credenza provides mixed storage, is 3 units wide, and comes with contrasting exterior and interior veneer. Standard interior veneer is ash, and exterior veneer is available in santos palisander, walnut, and ebony. Credenza back exterior is finished. Drawer boxes are quarter cut natural ash, and waste bin is a removable quarter cut natural ash box. Drawer boxes and waste bin have a hand-rubbed tung oil finish. Bases and pulls are metal with chrome or satin chrome finish. File drawers include stainless steel rods for hanging folders. Hinged door units 26" high include 1 adjustable shelf that is 3/4" thick.

#### Notes

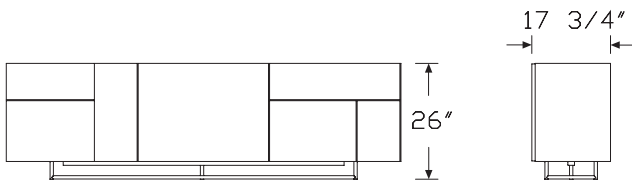
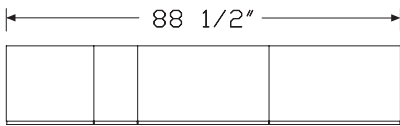
Locks are not available.

Shelves match interior finish.

Wood components in credenzas 2 and 3 units wide ship assembled.

Bases ship separately and must be field installed.

#### Dimensions



### Specification Information

#### Step 1.

**IWCM3C-188926** A \$17812

#### Step 2. Wood Finish

##### Matte Finishes

<b>DAE</b>	ebony exterior, ash interior	<span style="border: 1px solid black; padding: 0 2px;">A</span>	+\$0
<b>DAR</b>	santos palisander exterior, ash interior	<span style="border: 1px solid black; padding: 0 2px;">A</span>	+\$0
<b>DAW</b>	walnut exterior, ash interior	<span style="border: 1px solid black; padding: 0 2px;">A</span>	+\$0

#### Step 3. Base Finish

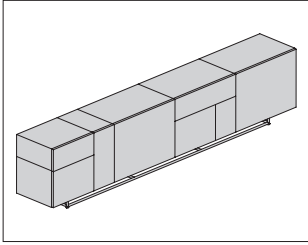
<b>CHR</b>	chrome	<span style="border: 1px solid black; padding: 0 2px;">A</span>	+\$0
<b>SAC</b>	satin chrome	<span style="border: 1px solid black; padding: 0 2px;">A</span>	+\$0

#### Step 4. Pull Finish

<b>CHR</b>	chrome	<span style="border: 1px solid black; padding: 0 2px;">A</span>	+\$0
<b>SAC</b>	satin chrome	<span style="border: 1px solid black; padding: 0 2px;">A</span>	+\$0

# Domino Credenza

IWCM4



HermanMiller Collection—Storage

## Product Information

### Description

This credenza provides mixed storage, is 4 units wide, and comes with contrasting exterior and interior veneer. Standard interior veneer is ash, and exterior veneer is available in santos palisander, walnut, and ebony. Credenza back exterior is finished. Drawer boxes are quarter cut natural ash, and waste bin is a removable quarter cut natural ash box. Drawer boxes and waste bin have a hand-rubbed tung oil finish. Bases and pulls are metal with chrome or satin chrome finish. File drawers include stainless steel rods for hanging folders. Hinged door units 26" high include 1 adjustable shelf that is 3/4" thick.

### Notes

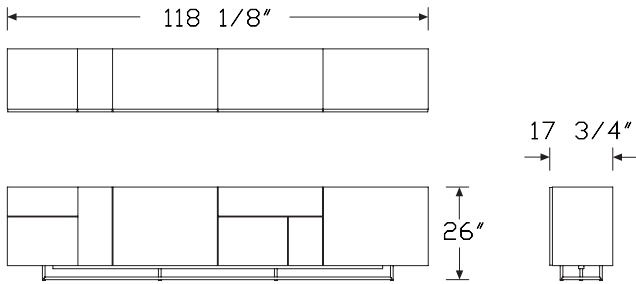
Locks are not available.

Shelves match interior finish.

Wood components in 4-unit-wide credenzas ship as 2 assembled units.

Bases ship separately and must be field installed.

## Dimensions



## Specification Information

### Step 1.

**IWCM4C-1811826** [A] \$20183

### Step 2. Wood Finish

#### Matte Finishes

**DAE** ebony exterior, ash interior [A] +\$0

**DAR** santos palisander exterior, ash interior [A] +\$0

**DAW** walnut exterior, ash interior [A] +\$0

### Step 3. Base Finish

**CHR** chrome [A] +\$0

**SAC** satin chrome [A] +\$0

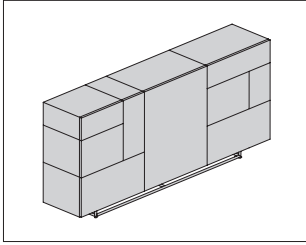
### Step 4. Pull Finish

**CHR** chrome [A] +\$0

**SAC** satin chrome [A] +\$0

# Domino Sideboard

IWSM3



### Product Information

#### Description

This sideboard provides mixed storage, is 3 units wide, and comes with contrasting exterior and interior veneer. Standard interior veneer is ash, and exterior veneer is available in santos palisander, walnut, and ebony. Credenza back exterior is finished. Drawer boxes are quarter cut natural ash, and waste bin is a removable quarter cut natural ash box. Drawer boxes and waste bin have a hand-rubbed tung oil finish. Bases and pulls are metal with chrome or satin chrome finish. File drawers include stainless steel rods for hanging folders. Hinged door units 40" high include 2 adjustable shelves that are each 3/4" thick.

#### Notes

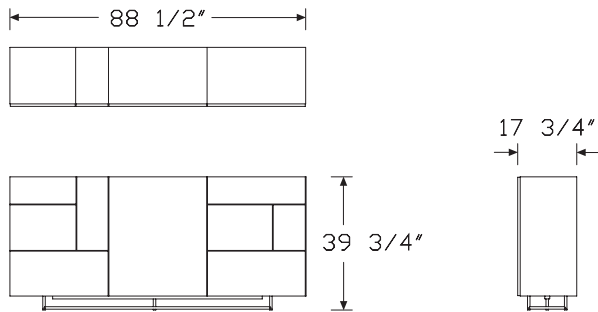
Locks are not available.

Shelves match interior finish.

Wood components in credenzas 2 and 3 units wide ship assembled.

Bases ship separately and must be field installed.

#### Dimensions



### Specification Information

#### Step 1.

**IWSM3C-188940** A \$23703

#### Step 2. Wood Finish

##### Matte Finishes

<b>DAE</b>	ebony exterior, ash interior	<span style="border: 1px solid black; padding: 0 2px;">A</span>	+\$0
<b>DAR</b>	santos palisander exterior, ash interior	<span style="border: 1px solid black; padding: 0 2px;">A</span>	+\$0
<b>DAW</b>	walnut exterior, ash interior	<span style="border: 1px solid black; padding: 0 2px;">A</span>	+\$0

#### Step 3. Base Finish

<b>CHR</b>	chrome	<span style="border: 1px solid black; padding: 0 2px;">A</span>	+\$0
<b>SAC</b>	satin chrome	<span style="border: 1px solid black; padding: 0 2px;">A</span>	+\$0

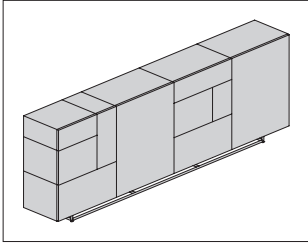
#### Step 4. Pull Finish

<b>CHR</b>	chrome	<span style="border: 1px solid black; padding: 0 2px;">A</span>	+\$0
<b>SAC</b>	satin chrome	<span style="border: 1px solid black; padding: 0 2px;">A</span>	+\$0

# Domino Sideboard

IWSM4

HermanMiller Collection—Storage



## Product Information

### Description

This sideboard provides mixed storage, is 4 units wide, and comes with contrasting exterior and interior veneer. Standard interior veneer is ash, and exterior veneer is available in santos palisander, walnut, and ebony. Credenza back exterior is finished. Drawer boxes are quarter cut natural ash, and waste bin is a removable quarter cut natural ash box. Drawer boxes and waste bin have a hand-rubbed tung oil finish. Bases and pulls are metal with chrome or satin chrome finish. File drawers include stainless steel rods for hanging folders. Hinged door units 40" high include 2 adjustable shelves that are each 3/4" thick.

### Notes

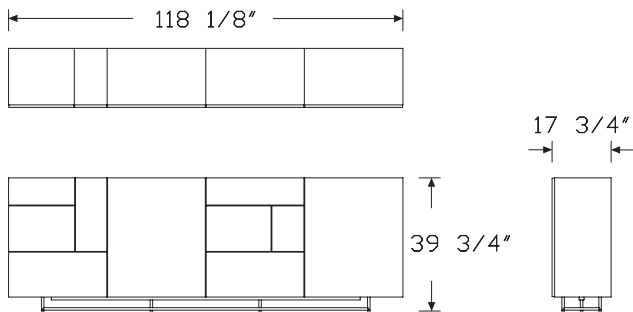
Locks are not available.

Shelves match interior finish.

Wood components in 4-unit-wide credenzas ship as 2 assembled units.

Bases ship separately and must be field installed.

## Dimensions



## Specification Information

### Step 1.

**IWSM4C-1811840** A \$26209

### Step 2. Wood Finish

#### Matte Finishes

<b>DAE</b>	ebony exterior, ash interior	<span style="border: 1px solid black; padding: 0 2px;">A</span>	+\$0
<b>DAR</b>	santos palisander exterior, ash interior	<span style="border: 1px solid black; padding: 0 2px;">A</span>	+\$0
<b>DAW</b>	walnut exterior, ash interior	<span style="border: 1px solid black; padding: 0 2px;">A</span>	+\$0

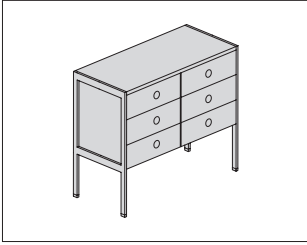
### Step 3. Base Finish

<b>CHR</b>	chrome	<span style="border: 1px solid black; padding: 0 2px;">A</span>	+\$0
<b>SAC</b>	satin chrome	<span style="border: 1px solid black; padding: 0 2px;">A</span>	+\$0

### Step 4. Pull Finish

<b>CHR</b>	chrome	<span style="border: 1px solid black; padding: 0 2px;">A</span>	+\$0
<b>SAC</b>	satin chrome	<span style="border: 1px solid black; padding: 0 2px;">A</span>	+\$0

H-Frame Credenza One Unit Wide JCH1-



**Product Information**

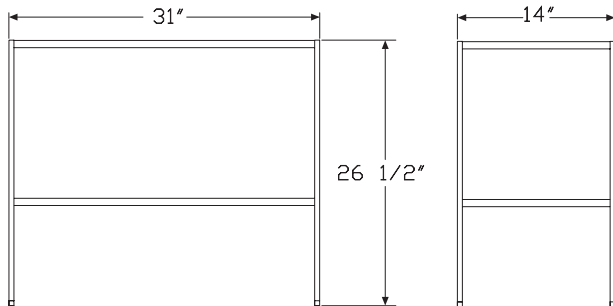
**Description**

This one-unit wide H-frame credenza has a wooden top and includes 1/2"-thick metal frame gables on the ends. H-frame credenzas are modular and shipped partially assembled.

**Notes**

All hardware for assembly is included.  
 Drawer credenzas include wood boxes and self-closing hidden drawer slides.  
 CG six box drawer credenza includes pencil trays and felt lining in bottom of top two drawers.  
 When applicable, Ward Bennett Flip pulls come in matching metal finish.  
 Santos palisander veneer is celebrated for its unique grain and color variations. Similar products ordered in multiples or dissimilar products ordered separately should be expected to have variation in both grain and color characteristics; no two products will look exactly alike.

**Dimensions**



**Specification Information**

**Step 1.**

**JCH1** A

**Step 2. Size**

**-1431** 14" deep x 31" wide x 26 1/2" high A

**Step 3. Configuration**

- C1** open shelf A
- C2** two doors A
- CF** two 15" file drawers A
- CG** six box drawers (top two pencil trays) A
- CH** one file drawer A
- CK** three box drawers A

**Prices for Steps 1-3.**

<b>JCH1-1431 -C1</b>	\$2570
<b>-C2</b>	\$3685
<b>-CF</b>	\$3915
<b>-CG</b>	\$5420
<b>-CH</b>	\$3825
<b>-CK</b>	\$4570

**Step 4. Wood Finish**

**Premium Veneer - Low Sheen**

*For open shelf (-C1)*

<b>921</b> champagne beech (natural) <span style="border: 1px solid black; padding: 0 2px;">A</span>	+\$0
<b>931</b> champagne anigre (natural) <span style="border: 1px solid black; padding: 0 2px;">A</span>	+\$459
<b>932</b> sundance anigre <span style="border: 1px solid black; padding: 0 2px;">A</span>	+\$459
<b>933</b> caramel anigre <span style="border: 1px solid black; padding: 0 2px;">A</span>	+\$459
<b>934</b> henna anigre <span style="border: 1px solid black; padding: 0 2px;">A</span>	+\$459
<b>941</b> natural beech <span style="border: 1px solid black; padding: 0 2px;">A</span>	+\$0
<b>942</b> sundance cherry (natural) <span style="border: 1px solid black; padding: 0 2px;">A</span>	+\$0
<b>943</b> caramel cherry <span style="border: 1px solid black; padding: 0 2px;">A</span>	+\$0
<b>944</b> henna cherry <span style="border: 1px solid black; padding: 0 2px;">A</span>	+\$0
<b>945</b> port cherry <span style="border: 1px solid black; padding: 0 2px;">A</span>	+\$0
<b>946</b> cocoa cherry <span style="border: 1px solid black; padding: 0 2px;">A</span>	+\$0
<b>951</b> natural anigre <span style="border: 1px solid black; padding: 0 2px;">A</span>	+\$998
<b>954</b> henna sapele <span style="border: 1px solid black; padding: 0 2px;">A</span>	+\$0
<b>955</b> port sapele <span style="border: 1px solid black; padding: 0 2px;">A</span>	+\$0
<b>956</b> cocoa sapele <span style="border: 1px solid black; padding: 0 2px;">A</span>	+\$0
<b>957</b> espresso sapele <span style="border: 1px solid black; padding: 0 2px;">A</span>	+\$0
<b>962</b> toasted walnut, low sheen <span style="border: 1px solid black; padding: 0 2px;">A</span>	+\$0
<b>963</b> charred walnut, low sheen <span style="border: 1px solid black; padding: 0 2px;">A</span>	+\$0
<b>964</b> bronzed walnut, low sheen <span style="border: 1px solid black; padding: 0 2px;">A</span>	+\$0
<b>965</b> smoked walnut, low sheen <span style="border: 1px solid black; padding: 0 2px;">A</span>	+\$0

# H-Frame Credenza One Unit Wide

continued

HermanMiller Collection—Storage

<b>966</b>	coffee walnut, low sheen <span style="border: 1px solid black; padding: 0 2px;">A</span>	+\$0
<b>967</b>	smoked paldao, low sheen <span style="border: 1px solid black; padding: 0 2px;">A</span>	+\$374
<b>969</b>	warm paldao, low sheen <span style="border: 1px solid black; padding: 0 2px;">A</span>	+\$374
<b>973</b>	caramel walnut <span style="border: 1px solid black; padding: 0 2px;">A</span>	+\$0
<b>974</b>	henna walnut <span style="border: 1px solid black; padding: 0 2px;">A</span>	+\$0
<b>975</b>	port walnut <span style="border: 1px solid black; padding: 0 2px;">A</span>	+\$0
<b>976</b>	cocoa walnut <span style="border: 1px solid black; padding: 0 2px;">A</span>	+\$0
<b>977</b>	chocolate ash, low sheen <span style="border: 1px solid black; padding: 0 2px;">A</span>	+\$0
<b>978</b>	natural oak <span style="border: 1px solid black; padding: 0 2px;">A</span>	+\$0
<b>981</b>	champagne hickory (natural) <span style="border: 1px solid black; padding: 0 2px;">A</span>	+\$0
<b>98R</b>	recograin rosewood <span style="border: 1px solid black; padding: 0 2px;">A</span>	+\$0
<b>991</b>	champagne ash <span style="border: 1px solid black; padding: 0 2px;">A</span>	+\$0
<b>998</b>	ebony ash <span style="border: 1px solid black; padding: 0 2px;">A</span>	+\$0
<b>99A</b>	recograin frosty ash <span style="border: 1px solid black; padding: 0 2px;">A</span>	+\$0
<b>99R</b>	recograin rosewood <span style="border: 1px solid black; padding: 0 2px;">A</span>	+\$0
<b>99T</b>	recograin teak <span style="border: 1px solid black; padding: 0 2px;">A</span>	+\$0
<b>9A1</b>	white ash, quarter cut, low sheen <span style="border: 1px solid black; padding: 0 2px;">A</span>	+\$0
<b>9K1</b>	rift oak, rift cut, low sheen <span style="border: 1px solid black; padding: 0 2px;">A</span>	+\$0
<b>9K6</b>	burnt oak, rift cut, low sheen <span style="border: 1px solid black; padding: 0 2px;">A</span>	+\$0
<b>ED</b>	aged cherry <span style="border: 1px solid black; padding: 0 2px;">A</span>	+\$0
<b>EK</b>	medium red walnut <span style="border: 1px solid black; padding: 0 2px;">A</span>	+\$0
<b>G2U</b>	light brown walnut, low sheen <span style="border: 1px solid black; padding: 0 2px;">A</span>	+\$0
<b>G40</b>	dark brown walnut, low sheen <span style="border: 1px solid black; padding: 0 2px;">A</span>	+\$0
<b>UX</b>	walnut on cherry <span style="border: 1px solid black; padding: 0 2px;">A</span>	+\$0

---

## Premium Veneer - Matte

*For open shelf (-C1)*

<b>662</b>	toasted walnut, matte sheen <span style="border: 1px solid black; padding: 0 2px;">A</span>	+\$0
<b>663</b>	charred walnut, matte sheen <span style="border: 1px solid black; padding: 0 2px;">A</span>	+\$0
<b>664</b>	bronzed walnut, matte sheen <span style="border: 1px solid black; padding: 0 2px;">A</span>	+\$0
<b>665</b>	smoked walnut, matte sheen <span style="border: 1px solid black; padding: 0 2px;">A</span>	+\$0
<b>666</b>	coffee walnut, matte sheen <span style="border: 1px solid black; padding: 0 2px;">A</span>	+\$0
<b>667</b>	smoked paldao, quarter cut, matte sheen <span style="border: 1px solid black; padding: 0 2px;">A</span>	+\$374
<b>669</b>	warm paldao, quarter cut, matte sheen <span style="border: 1px solid black; padding: 0 2px;">A</span>	+\$374
<b>66A</b>	recograin frosty ash <span style="border: 1px solid black; padding: 0 2px;">A</span>	+\$0
<b>677</b>	chocolate ash, matte sheen <span style="border: 1px solid black; padding: 0 2px;">A</span>	+\$0
<b>678</b>	natural oak <span style="border: 1px solid black; padding: 0 2px;">A</span>	+\$0
<b>68R</b>	recograin rosewood <span style="border: 1px solid black; padding: 0 2px;">A</span>	+\$0
<b>69A</b>	recograin frosty ash <span style="border: 1px solid black; padding: 0 2px;">A</span>	+\$0
<b>69R</b>	recograin rosewood <span style="border: 1px solid black; padding: 0 2px;">A</span>	+\$0
<b>69T</b>	recograin teak <span style="border: 1px solid black; padding: 0 2px;">A</span>	+\$0
<b>6A1</b>	white ash <span style="border: 1px solid black; padding: 0 2px;">A</span>	+\$0
<b>6A2</b>	platinum ash <span style="border: 1px solid black; padding: 0 2px;">A</span>	+\$0
<b>6K1</b>	rift oak <span style="border: 1px solid black; padding: 0 2px;">A</span>	+\$0
<b>6K6</b>	burnt oak <span style="border: 1px solid black; padding: 0 2px;">A</span>	+\$0
<b>ET</b>	clear on ash <span style="border: 1px solid black; padding: 0 2px;">A</span>	+\$0
<b>EU</b>	oak on ash <span style="border: 1px solid black; padding: 0 2px;">A</span>	+\$0
<b>EV</b>	walnut on ash <span style="border: 1px solid black; padding: 0 2px;">A</span>	+\$0
<b>GOU</b>	natural walnut, flat cut, matte sheen <span style="border: 1px solid black; padding: 0 2px;">A</span>	+\$0

---

## RecoGrain Veneer

*For open shelf (-C1)*

<b>66G</b>	recograin wenge <span style="border: 1px solid black; padding: 0 2px;">A</span>	-\$125
<b>68W</b>	recograin walnut, flat cut, matte sheen <span style="border: 1px solid black; padding: 0 2px;">A</span>	-\$125
<b>69G</b>	recograin wenge <span style="border: 1px solid black; padding: 0 2px;">A</span>	-\$125
<b>69K</b>	recograin oak, quarter cut, matte sheen <span style="border: 1px solid black; padding: 0 2px;">A</span>	-\$125
<b>69W</b>	recograin walnut, quarter cut, matte sheen <span style="border: 1px solid black; padding: 0 2px;">A</span>	-\$125

---

## Recon Veneer -

*For open shelf (-C1)*

<b>96G</b>	wenge recograin, quarter cut, low sheen <span style="border: 1px solid black; padding: 0 2px;">A</span>	-\$125
<b>98W</b>	recograin walnut, flat cut, low sheen <span style="border: 1px solid black; padding: 0 2px;">A</span>	-\$125
<b>99G</b>	recograin wenge, quarter cut, low sheen <span style="border: 1px solid black; padding: 0 2px;">A</span>	-\$125
<b>99K</b>	recograin oak, quarter cut, low sheen <span style="border: 1px solid black; padding: 0 2px;">A</span>	-\$125
<b>99W</b>	recograin walnut, quarter cut, low sheen <span style="border: 1px solid black; padding: 0 2px;">A</span>	-\$125



# H-Frame Credenza One Unit Wide

continued

## Premium Veneer - Low Sheen

For two doors (-C2)

<b>931</b>	champagne anigre (natural) <span style="border: 1px solid black; padding: 0 2px;">A</span>	+\$658
<b>932</b>	sundance anigre <span style="border: 1px solid black; padding: 0 2px;">A</span>	+\$658
<b>933</b>	caramel anigre <span style="border: 1px solid black; padding: 0 2px;">A</span>	+\$658
<b>934</b>	henna anigre <span style="border: 1px solid black; padding: 0 2px;">A</span>	+\$658
<b>941</b>	natural beech <span style="border: 1px solid black; padding: 0 2px;">A</span>	+\$0
<b>942</b>	sundance cherry (natural) <span style="border: 1px solid black; padding: 0 2px;">A</span>	+\$0
<b>943</b>	caramel cherry <span style="border: 1px solid black; padding: 0 2px;">A</span>	+\$0
<b>946</b>	cocoa cherry <span style="border: 1px solid black; padding: 0 2px;">A</span>	+\$0
<b>951</b>	natural anigre <span style="border: 1px solid black; padding: 0 2px;">A</span>	+\$1432
<b>956</b>	cocoa sapele <span style="border: 1px solid black; padding: 0 2px;">A</span>	+\$0
<b>962</b>	toasted walnut, low sheen <span style="border: 1px solid black; padding: 0 2px;">A</span>	+\$0
<b>963</b>	charred walnut, low sheen <span style="border: 1px solid black; padding: 0 2px;">A</span>	+\$0
<b>964</b>	bronzed walnut, low sheen <span style="border: 1px solid black; padding: 0 2px;">A</span>	+\$0
<b>965</b>	smoked walnut, low sheen <span style="border: 1px solid black; padding: 0 2px;">A</span>	+\$0
<b>966</b>	coffee walnut, low sheen <span style="border: 1px solid black; padding: 0 2px;">A</span>	+\$0
<b>967</b>	smoked paldao, low sheen <span style="border: 1px solid black; padding: 0 2px;">A</span>	+\$537
<b>969</b>	warm paldao, low sheen <span style="border: 1px solid black; padding: 0 2px;">A</span>	+\$537
<b>977</b>	chocolate ash, low sheen <span style="border: 1px solid black; padding: 0 2px;">A</span>	+\$0
<b>978</b>	natural oak <span style="border: 1px solid black; padding: 0 2px;">A</span>	+\$0
<b>981</b>	champagne hickory (natural) <span style="border: 1px solid black; padding: 0 2px;">A</span>	+\$0
<b>98R</b>	recoGrain rosewood <span style="border: 1px solid black; padding: 0 2px;">A</span>	+\$0
<b>991</b>	champagne ash <span style="border: 1px solid black; padding: 0 2px;">A</span>	+\$0
<b>998</b>	ebony ash <span style="border: 1px solid black; padding: 0 2px;">A</span>	+\$0
<b>99A</b>	recoGrain frosty ash <span style="border: 1px solid black; padding: 0 2px;">A</span>	+\$0
<b>99R</b>	recoGrain rosewood <span style="border: 1px solid black; padding: 0 2px;">A</span>	+\$0
<b>99T</b>	recoGrain teak <span style="border: 1px solid black; padding: 0 2px;">A</span>	+\$0
<b>9A1</b>	white ash, quarter cut, low sheen <span style="border: 1px solid black; padding: 0 2px;">A</span>	+\$0
<b>9K1</b>	rift oak, rift cut, low sheen <span style="border: 1px solid black; padding: 0 2px;">A</span>	+\$0
<b>9K6</b>	burnt oak, rift cut, low sheen <span style="border: 1px solid black; padding: 0 2px;">A</span>	+\$0
<b>ED</b>	aged cherry <span style="border: 1px solid black; padding: 0 2px;">A</span>	+\$0
<b>EK</b>	medium red walnut <span style="border: 1px solid black; padding: 0 2px;">A</span>	+\$0
<b>G2U</b>	light brown walnut, low sheen <span style="border: 1px solid black; padding: 0 2px;">A</span>	+\$0
<b>G40</b>	dark brown walnut, low sheen <span style="border: 1px solid black; padding: 0 2px;">A</span>	+\$0
<b>UX</b>	walnut on cherry <span style="border: 1px solid black; padding: 0 2px;">A</span>	+\$0

## Premium Veneer - Matte

For two doors (-C2)

<b>662</b>	toasted walnut, matte sheen <span style="border: 1px solid black; padding: 0 2px;">A</span>	+\$0
<b>663</b>	charred walnut, matte sheen <span style="border: 1px solid black; padding: 0 2px;">A</span>	+\$0
<b>664</b>	bronzed walnut, matte sheen <span style="border: 1px solid black; padding: 0 2px;">A</span>	+\$0
<b>665</b>	smoked walnut, matte sheen <span style="border: 1px solid black; padding: 0 2px;">A</span>	+\$0
<b>666</b>	coffee walnut, matte sheen <span style="border: 1px solid black; padding: 0 2px;">A</span>	+\$0
<b>66A</b>	recoGrain frosty ash <span style="border: 1px solid black; padding: 0 2px;">A</span>	+\$0
<b>677</b>	chocolate ash, matte sheen <span style="border: 1px solid black; padding: 0 2px;">A</span>	+\$0
<b>678</b>	natural oak <span style="border: 1px solid black; padding: 0 2px;">A</span>	+\$0
<b>68R</b>	recoGrain rosewood <span style="border: 1px solid black; padding: 0 2px;">A</span>	+\$0
<b>69A</b>	recoGrain frosty ash <span style="border: 1px solid black; padding: 0 2px;">A</span>	+\$0
<b>69R</b>	recoGrain rosewood <span style="border: 1px solid black; padding: 0 2px;">A</span>	+\$0
<b>69T</b>	recoGrain teak <span style="border: 1px solid black; padding: 0 2px;">A</span>	+\$0
<b>6A1</b>	white ash <span style="border: 1px solid black; padding: 0 2px;">A</span>	+\$0
<b>6K1</b>	rift oak <span style="border: 1px solid black; padding: 0 2px;">A</span>	+\$0
<b>6K6</b>	burnt oak <span style="border: 1px solid black; padding: 0 2px;">A</span>	+\$0
<b>ET</b>	clear on ash <span style="border: 1px solid black; padding: 0 2px;">A</span>	+\$0
<b>EU</b>	oak on ash <span style="border: 1px solid black; padding: 0 2px;">A</span>	+\$0
<b>EV</b>	walnut on ash <span style="border: 1px solid black; padding: 0 2px;">A</span>	+\$0
<b>GOU</b>	natural walnut, flat cut, matte sheen <span style="border: 1px solid black; padding: 0 2px;">A</span>	+\$0

## RecoGrain Veneer

For two doors (-C2)

<b>66G</b>	recoGrain wenge <span style="border: 1px solid black; padding: 0 2px;">A</span>	-\$179
<b>68W</b>	recoGrain walnut, flat cut, matte sheen <span style="border: 1px solid black; padding: 0 2px;">A</span>	-\$179
<b>69G</b>	recoGrain wenge <span style="border: 1px solid black; padding: 0 2px;">A</span>	-\$179
<b>69K</b>	recoGrain oak, quarter cut, matte sheen <span style="border: 1px solid black; padding: 0 2px;">A</span>	-\$179
<b>69W</b>	recoGrain walnut, quarter cut, matte sheen <span style="border: 1px solid black; padding: 0 2px;">A</span>	-\$179

## Recon Veneer -

For two doors (-C2)

<b>96G</b>	wenge recoGrain, quarter cut, low sheen <span style="border: 1px solid black; padding: 0 2px;">A</span>	-\$179
<b>98W</b>	recoGrain walnut, flat cut, low sheen <span style="border: 1px solid black; padding: 0 2px;">A</span>	-\$179
<b>99G</b>	recoGrain wenge, quarter cut, low sheen <span style="border: 1px solid black; padding: 0 2px;">A</span>	-\$179
<b>99K</b>	recoGrain oak, quarter cut, low sheen <span style="border: 1px solid black; padding: 0 2px;">A</span>	-\$179
<b>99W</b>	recoGrain walnut, quarter cut, low sheen <span style="border: 1px solid black; padding: 0 2px;">A</span>	-\$179

# H-Frame Credenza One Unit Wide

continued

HermanMiller Collection—Storage

## Premium Veneer - Low Sheen

For two 15" file drawers (-CF)

<b>931</b>	champagne anigre (natural) <span style="border: 1px solid black; padding: 0 2px;">A</span>	+\$699
<b>932</b>	sundance anigre <span style="border: 1px solid black; padding: 0 2px;">A</span>	+\$699
<b>933</b>	caramel anigre <span style="border: 1px solid black; padding: 0 2px;">A</span>	+\$699
<b>934</b>	henna anigre <span style="border: 1px solid black; padding: 0 2px;">A</span>	+\$699
<b>941</b>	natural beech <span style="border: 1px solid black; padding: 0 2px;">A</span>	+\$0
<b>942</b>	sundance cherry (natural) <span style="border: 1px solid black; padding: 0 2px;">A</span>	+\$0
<b>943</b>	caramel cherry <span style="border: 1px solid black; padding: 0 2px;">A</span>	+\$0
<b>946</b>	cocoa cherry <span style="border: 1px solid black; padding: 0 2px;">A</span>	+\$0
<b>951</b>	natural anigre <span style="border: 1px solid black; padding: 0 2px;">A</span>	+\$1521
<b>956</b>	cocoa sapele <span style="border: 1px solid black; padding: 0 2px;">A</span>	+\$0
<b>962</b>	toasted walnut, low sheen <span style="border: 1px solid black; padding: 0 2px;">A</span>	+\$0
<b>963</b>	charred walnut, low sheen <span style="border: 1px solid black; padding: 0 2px;">A</span>	+\$0
<b>964</b>	bronzed walnut, low sheen <span style="border: 1px solid black; padding: 0 2px;">A</span>	+\$0
<b>965</b>	smoked walnut, low sheen <span style="border: 1px solid black; padding: 0 2px;">A</span>	+\$0
<b>966</b>	coffee walnut, low sheen <span style="border: 1px solid black; padding: 0 2px;">A</span>	+\$0
<b>967</b>	smoked paldao, low sheen <span style="border: 1px solid black; padding: 0 2px;">A</span>	+\$571
<b>969</b>	warm paldao, low sheen <span style="border: 1px solid black; padding: 0 2px;">A</span>	+\$571
<b>977</b>	chocolate ash, low sheen <span style="border: 1px solid black; padding: 0 2px;">A</span>	+\$0
<b>978</b>	natural oak <span style="border: 1px solid black; padding: 0 2px;">A</span>	+\$0
<b>981</b>	champagne hickory (natural) <span style="border: 1px solid black; padding: 0 2px;">A</span>	+\$0
<b>98R</b>	recograin rosewood <span style="border: 1px solid black; padding: 0 2px;">A</span>	+\$0
<b>991</b>	champagne ash <span style="border: 1px solid black; padding: 0 2px;">A</span>	+\$0
<b>998</b>	ebony ash <span style="border: 1px solid black; padding: 0 2px;">A</span>	+\$0
<b>99A</b>	recograin frosty ash <span style="border: 1px solid black; padding: 0 2px;">A</span>	+\$0
<b>99R</b>	recograin rosewood <span style="border: 1px solid black; padding: 0 2px;">A</span>	+\$0
<b>99T</b>	recograin teak <span style="border: 1px solid black; padding: 0 2px;">A</span>	+\$0
<b>9A1</b>	white ash, quarter cut, low sheen <span style="border: 1px solid black; padding: 0 2px;">A</span>	+\$0
<b>9K1</b>	rift oak, rift cut, low sheen <span style="border: 1px solid black; padding: 0 2px;">A</span>	+\$0
<b>9K6</b>	burnt oak, rift cut, low sheen <span style="border: 1px solid black; padding: 0 2px;">A</span>	+\$0
<b>ED</b>	aged cherry <span style="border: 1px solid black; padding: 0 2px;">A</span>	+\$0
<b>EK</b>	medium red walnut <span style="border: 1px solid black; padding: 0 2px;">A</span>	+\$0
<b>G2U</b>	light brown walnut, low sheen <span style="border: 1px solid black; padding: 0 2px;">A</span>	+\$0
<b>G40</b>	dark brown walnut, low sheen <span style="border: 1px solid black; padding: 0 2px;">A</span>	+\$0
<b>UX</b>	walnut on cherry <span style="border: 1px solid black; padding: 0 2px;">A</span>	+\$0

## Premium Veneer - Matte

For two 15" file drawers (-CF)

<b>662</b>	toasted walnut, matte sheen <span style="border: 1px solid black; padding: 0 2px;">A</span>	+\$0
<b>663</b>	charred walnut, matte sheen <span style="border: 1px solid black; padding: 0 2px;">A</span>	+\$0
<b>664</b>	bronzed walnut, matte sheen <span style="border: 1px solid black; padding: 0 2px;">A</span>	+\$0
<b>665</b>	smoked walnut, matte sheen <span style="border: 1px solid black; padding: 0 2px;">A</span>	+\$0
<b>666</b>	coffee walnut, matte sheen <span style="border: 1px solid black; padding: 0 2px;">A</span>	+\$0
<b>667</b>	smoked paldao, quarter cut, matte sheen <span style="border: 1px solid black; padding: 0 2px;">A</span>	+\$571
<b>669</b>	warm paldao, quarter cut, matte sheen <span style="border: 1px solid black; padding: 0 2px;">A</span>	+\$571
<b>66A</b>	recograin frosty ash <span style="border: 1px solid black; padding: 0 2px;">A</span>	+\$0
<b>677</b>	chocolate ash, matte sheen <span style="border: 1px solid black; padding: 0 2px;">A</span>	+\$0
<b>678</b>	natural oak <span style="border: 1px solid black; padding: 0 2px;">A</span>	+\$0
<b>68R</b>	recograin rosewood <span style="border: 1px solid black; padding: 0 2px;">A</span>	+\$0
<b>69A</b>	recograin frosty ash <span style="border: 1px solid black; padding: 0 2px;">A</span>	+\$0
<b>69R</b>	recograin rosewood <span style="border: 1px solid black; padding: 0 2px;">A</span>	+\$0
<b>69T</b>	recograin teak <span style="border: 1px solid black; padding: 0 2px;">A</span>	+\$0
<b>6A1</b>	white ash <span style="border: 1px solid black; padding: 0 2px;">A</span>	+\$0
<b>6K1</b>	rift oak <span style="border: 1px solid black; padding: 0 2px;">A</span>	+\$0
<b>6K6</b>	burnt oak <span style="border: 1px solid black; padding: 0 2px;">A</span>	+\$0
<b>ET</b>	clear on ash <span style="border: 1px solid black; padding: 0 2px;">A</span>	+\$0
<b>EU</b>	oak on ash <span style="border: 1px solid black; padding: 0 2px;">A</span>	+\$0
<b>EV</b>	walnut on ash <span style="border: 1px solid black; padding: 0 2px;">A</span>	+\$0
<b>GOU</b>	natural walnut, flat cut, matte sheen <span style="border: 1px solid black; padding: 0 2px;">A</span>	+\$0

## RecoGrain Veneer

For two 15" file drawers (-CF)

<b>66G</b>	recograin wenge <span style="border: 1px solid black; padding: 0 2px;">A</span>	-\$191
<b>68W</b>	recograin walnut, flat cut, matte sheen <span style="border: 1px solid black; padding: 0 2px;">A</span>	-\$191
<b>69G</b>	recograin wenge <span style="border: 1px solid black; padding: 0 2px;">A</span>	-\$191
<b>69K</b>	recograin oak, quarter cut, matte sheen <span style="border: 1px solid black; padding: 0 2px;">A</span>	-\$191
<b>69W</b>	recograin walnut, quarter cut, matte sheen <span style="border: 1px solid black; padding: 0 2px;">A</span>	-\$191

## Recon Veneer -

For two 15" file drawers (-CF)

<b>96G</b>	wenge recograin, quarter cut, low sheen <span style="border: 1px solid black; padding: 0 2px;">A</span>	-\$191
<b>98W</b>	recograin walnut, flat cut, low sheen <span style="border: 1px solid black; padding: 0 2px;">A</span>	-\$191
<b>99G</b>	recograin wenge, quarter cut, low sheen <span style="border: 1px solid black; padding: 0 2px;">A</span>	-\$191
<b>99K</b>	recograin oak, quarter cut, low sheen <span style="border: 1px solid black; padding: 0 2px;">A</span>	-\$191
<b>99W</b>	recograin walnut, quarter cut, low sheen <span style="border: 1px solid black; padding: 0 2px;">A</span>	-\$191

# H-Frame Credenza One Unit Wide

continued

## Premium Veneer - Low Sheen

For six box drawers (top two pencil trays) (-CG)

931	champagne anigre (natural) [A]	+\$968
932	sundance anigre [A]	+\$968
933	caramel anigre [A]	+\$968
934	henna anigre [A]	+\$968
941	natural beech [A]	+\$0
942	sundance cherry (natural) [A]	+\$0
943	caramel cherry [A]	+\$0
946	cocoa cherry [A]	+\$0
951	natural anigre [A]	+\$2104
956	cocoa sapele [A]	+\$0
962	toasted walnut, low sheen [A]	+\$0
963	charred walnut, low sheen [A]	+\$0
964	bronzed walnut, low sheen [A]	+\$0
965	smoked walnut, low sheen [A]	+\$0
966	coffee walnut, low sheen [A]	+\$0
967	smoked paldao, low sheen [A]	+\$789
969	warm paldao, low sheen [A]	+\$789
977	chocolate ash, low sheen [A]	+\$0
978	natural oak [A]	+\$0
981	champagne hickory (natural) [A]	+\$0
98R	recograin rosewood [A]	+\$0
991	champagne ash [A]	+\$0
998	ebony ash [A]	+\$0
99A	recograin frosty ash [A]	+\$0
99R	recograin rosewood [A]	+\$0
99T	recograin teak [A]	+\$0
9A1	white ash, quarter cut, low sheen [A]	+\$0
9K1	rift oak, rift cut, low sheen [A]	+\$0
9K6	burnt oak, rift cut, low sheen [A]	+\$0
ED	aged cherry [A]	+\$0
EK	medium red walnut [A]	+\$0
G2U	light brown walnut, low sheen [A]	+\$0
G40	dark brown walnut, low sheen [A]	+\$0
UX	walnut on cherry [A]	+\$0

## Premium Veneer - Matte

For six box drawers (top two pencil trays) (-CG)

662	toasted walnut, matte sheen [A]	+\$0
663	charred walnut, matte sheen [A]	+\$0
664	bronzed walnut, matte sheen [A]	+\$0
665	smoked walnut, matte sheen [A]	+\$0
666	coffee walnut, matte sheen [A]	+\$0
667	smoked paldao, quarter cut, matte sheen [A]	+\$789
669	warm paldao, quarter cut, matte sheen [A]	+\$789
66A	recograin frosty ash [A]	+\$0
677	chocolate ash, matte sheen [A]	+\$0
678	natural oak [A]	+\$0
68R	recograin rosewood [A]	+\$0
69A	recograin frosty ash [A]	+\$0
69R	recograin rosewood [A]	+\$0
69T	recograin teak [A]	+\$0
6A1	white ash [A]	+\$0
6K1	rift oak [A]	+\$0
6K6	burnt oak [A]	+\$0
ET	clear on ash [A]	+\$0
EU	oak on ash [A]	+\$0
EV	walnut on ash [A]	+\$0
GOU	natural walnut, flat cut, matte sheen [A]	+\$0

## RecoGrain Veneer

For six box drawers (top two pencil trays) (-CG)

66G	recograin wenge [A]	-\$263
68W	recograin walnut, flat cut, matte sheen [A]	-\$263
69G	recograin wenge [A]	-\$263
69K	recograin oak, quarter cut, matte sheen [A]	-\$263
69W	recograin walnut, quarter cut, matte sheen [A]	-\$263

## Recon Veneer -

For six box drawers (top two pencil trays) (-CG)

96G	wenge recograin, quarter cut, low sheen [A]	-\$263
98W	recograin walnut, flat cut, low sheen [A]	-\$263
99G	recograin wenge, quarter cut, low sheen [A]	-\$263
99K	recograin oak, quarter cut, low sheen [A]	-\$263
99W	recograin walnut, quarter cut, low sheen [A]	-\$263

# H-Frame Credenza One Unit Wide

continued

HermanMiller Collection—Storage

## Premium Veneer - Low Sheen

*For one file drawer (-CH)*

<b>931</b>	champagne anigre (natural) <span style="border: 1px solid black; padding: 0 2px;">A</span>	+\$683
<b>932</b>	sundance anigre <span style="border: 1px solid black; padding: 0 2px;">A</span>	+\$683
<b>933</b>	caramel anigre <span style="border: 1px solid black; padding: 0 2px;">A</span>	+\$683
<b>934</b>	henna anigre <span style="border: 1px solid black; padding: 0 2px;">A</span>	+\$683
<b>941</b>	natural beech <span style="border: 1px solid black; padding: 0 2px;">A</span>	+\$0
<b>942</b>	sundance cherry (natural) <span style="border: 1px solid black; padding: 0 2px;">A</span>	+\$0
<b>943</b>	caramel cherry <span style="border: 1px solid black; padding: 0 2px;">A</span>	+\$0
<b>946</b>	cocoa cherry <span style="border: 1px solid black; padding: 0 2px;">A</span>	+\$0
<b>951</b>	natural anigre <span style="border: 1px solid black; padding: 0 2px;">A</span>	+\$1486
<b>956</b>	cocoa sapele <span style="border: 1px solid black; padding: 0 2px;">A</span>	+\$0
<b>962</b>	toasted walnut, low sheen <span style="border: 1px solid black; padding: 0 2px;">A</span>	+\$0
<b>963</b>	charred walnut, low sheen <span style="border: 1px solid black; padding: 0 2px;">A</span>	+\$0
<b>964</b>	bronzed walnut, low sheen <span style="border: 1px solid black; padding: 0 2px;">A</span>	+\$0
<b>965</b>	smoked walnut, low sheen <span style="border: 1px solid black; padding: 0 2px;">A</span>	+\$0
<b>966</b>	coffee walnut, low sheen <span style="border: 1px solid black; padding: 0 2px;">A</span>	+\$0
<b>967</b>	smoked paldao, low sheen <span style="border: 1px solid black; padding: 0 2px;">A</span>	+\$558
<b>969</b>	warm paldao, low sheen <span style="border: 1px solid black; padding: 0 2px;">A</span>	+\$558
<b>977</b>	chocolate ash, low sheen <span style="border: 1px solid black; padding: 0 2px;">A</span>	+\$0
<b>978</b>	natural oak <span style="border: 1px solid black; padding: 0 2px;">A</span>	+\$0
<b>981</b>	champagne hickory (natural) <span style="border: 1px solid black; padding: 0 2px;">A</span>	+\$0
<b>98R</b>	recograin rosewood <span style="border: 1px solid black; padding: 0 2px;">A</span>	+\$0
<b>991</b>	champagne ash <span style="border: 1px solid black; padding: 0 2px;">A</span>	+\$0
<b>998</b>	ebony ash <span style="border: 1px solid black; padding: 0 2px;">A</span>	+\$0
<b>99A</b>	recograin frosty ash <span style="border: 1px solid black; padding: 0 2px;">A</span>	+\$0
<b>99R</b>	recograin rosewood <span style="border: 1px solid black; padding: 0 2px;">A</span>	+\$0
<b>99T</b>	recograin teak <span style="border: 1px solid black; padding: 0 2px;">A</span>	+\$0
<b>9A1</b>	white ash, quarter cut, low sheen <span style="border: 1px solid black; padding: 0 2px;">A</span>	+\$0
<b>9K1</b>	rift oak, rift cut, low sheen <span style="border: 1px solid black; padding: 0 2px;">A</span>	+\$0
<b>9K6</b>	burnt oak, rift cut, low sheen <span style="border: 1px solid black; padding: 0 2px;">A</span>	+\$0
<b>ED</b>	aged cherry <span style="border: 1px solid black; padding: 0 2px;">A</span>	+\$0
<b>EK</b>	medium red walnut <span style="border: 1px solid black; padding: 0 2px;">A</span>	+\$0
<b>G2U</b>	light brown walnut, low sheen <span style="border: 1px solid black; padding: 0 2px;">A</span>	+\$0
<b>G40</b>	dark brown walnut, low sheen <span style="border: 1px solid black; padding: 0 2px;">A</span>	+\$0
<b>UX</b>	walnut on cherry <span style="border: 1px solid black; padding: 0 2px;">A</span>	+\$0

## Premium Veneer - Matte

*For one file drawer (-CH)*

<b>662</b>	toasted walnut, matte sheen <span style="border: 1px solid black; padding: 0 2px;">A</span>	+\$0
<b>663</b>	charred walnut, matte sheen <span style="border: 1px solid black; padding: 0 2px;">A</span>	+\$0
<b>664</b>	bronzed walnut, matte sheen <span style="border: 1px solid black; padding: 0 2px;">A</span>	+\$0
<b>665</b>	smoked walnut, matte sheen <span style="border: 1px solid black; padding: 0 2px;">A</span>	+\$0
<b>666</b>	coffee walnut, matte sheen <span style="border: 1px solid black; padding: 0 2px;">A</span>	+\$0
<b>667</b>	smoked paldao, quarter cut, matte sheen <span style="border: 1px solid black; padding: 0 2px;">A</span>	+\$558
<b>669</b>	warm paldao, quarter cut, matte sheen <span style="border: 1px solid black; padding: 0 2px;">A</span>	+\$558
<b>66A</b>	recograin frosty ash <span style="border: 1px solid black; padding: 0 2px;">A</span>	+\$0
<b>677</b>	chocolate ash, matte sheen <span style="border: 1px solid black; padding: 0 2px;">A</span>	+\$0
<b>678</b>	natural oak <span style="border: 1px solid black; padding: 0 2px;">A</span>	+\$0
<b>68R</b>	recograin rosewood <span style="border: 1px solid black; padding: 0 2px;">A</span>	+\$0
<b>69A</b>	recograin frosty ash <span style="border: 1px solid black; padding: 0 2px;">A</span>	+\$0
<b>69R</b>	recograin rosewood <span style="border: 1px solid black; padding: 0 2px;">A</span>	+\$0
<b>69T</b>	recograin teak <span style="border: 1px solid black; padding: 0 2px;">A</span>	+\$0
<b>6A1</b>	white ash <span style="border: 1px solid black; padding: 0 2px;">A</span>	+\$0
<b>6K1</b>	rift oak <span style="border: 1px solid black; padding: 0 2px;">A</span>	+\$0
<b>6K6</b>	burnt oak <span style="border: 1px solid black; padding: 0 2px;">A</span>	+\$0
<b>ET</b>	clear on ash <span style="border: 1px solid black; padding: 0 2px;">A</span>	+\$0
<b>EU</b>	oak on ash <span style="border: 1px solid black; padding: 0 2px;">A</span>	+\$0
<b>EV</b>	walnut on ash <span style="border: 1px solid black; padding: 0 2px;">A</span>	+\$0
<b>GOU</b>	natural walnut, flat cut, matte sheen <span style="border: 1px solid black; padding: 0 2px;">A</span>	+\$0

## RecoGrain Veneer

*For one file drawer (-CH)*

<b>66G</b>	recograin wenge <span style="border: 1px solid black; padding: 0 2px;">A</span>	-\$186
<b>68W</b>	recograin walnut, flat cut, matte sheen <span style="border: 1px solid black; padding: 0 2px;">A</span>	-\$186
<b>69G</b>	recograin wenge <span style="border: 1px solid black; padding: 0 2px;">A</span>	-\$186
<b>69K</b>	recograin oak, quarter cut, matte sheen <span style="border: 1px solid black; padding: 0 2px;">A</span>	-\$186
<b>69W</b>	recograin walnut, quarter cut, matte sheen <span style="border: 1px solid black; padding: 0 2px;">A</span>	-\$186

## Recon Veneer -

*For one file drawer (-CH)*

<b>96G</b>	wenge recograin, quarter cut, low sheen <span style="border: 1px solid black; padding: 0 2px;">A</span>	-\$186
<b>98W</b>	recograin walnut, flat cut, low sheen <span style="border: 1px solid black; padding: 0 2px;">A</span>	-\$186
<b>99G</b>	recograin wenge, quarter cut, low sheen <span style="border: 1px solid black; padding: 0 2px;">A</span>	-\$186
<b>99K</b>	recograin oak, quarter cut, low sheen <span style="border: 1px solid black; padding: 0 2px;">A</span>	-\$186
<b>99W</b>	recograin walnut, quarter cut, low sheen <span style="border: 1px solid black; padding: 0 2px;">A</span>	-\$186

# H-Frame Credenza One Unit Wide

continued

## Premium Veneer - Low Sheen

For three box drawers (-CK)

<b>931</b>	champagne anigre (natural) <input type="checkbox"/>	+\$816
<b>932</b>	sundance anigre <input type="checkbox"/>	+\$816
<b>933</b>	caramel anigre <input type="checkbox"/>	+\$816
<b>934</b>	henna anigre <input type="checkbox"/>	+\$816
<b>941</b>	natural beech <input type="checkbox"/>	+\$0
<b>942</b>	sundance cherry (natural) <input type="checkbox"/>	+\$0
<b>943</b>	caramel cherry <input type="checkbox"/>	+\$0
<b>946</b>	cocoa cherry <input type="checkbox"/>	+\$0
<b>951</b>	natural anigre <input type="checkbox"/>	+\$1775
<b>956</b>	cocoa sapele <input type="checkbox"/>	+\$0
<b>962</b>	toasted walnut, low sheen <input type="checkbox"/>	+\$0
<b>963</b>	charred walnut, low sheen <input type="checkbox"/>	+\$0
<b>964</b>	bronzed walnut, low sheen <input type="checkbox"/>	+\$0
<b>965</b>	smoked walnut, low sheen <input type="checkbox"/>	+\$0
<b>966</b>	coffee walnut, low sheen <input type="checkbox"/>	+\$0
<b>967</b>	smoked paldao, low sheen <input type="checkbox"/>	+\$666
<b>969</b>	warm paldao, low sheen <input type="checkbox"/>	+\$666
<b>977</b>	chocolate ash, low sheen <input type="checkbox"/>	+\$0
<b>978</b>	natural oak <input type="checkbox"/>	+\$0
<b>981</b>	champagne hickory (natural) <input type="checkbox"/>	+\$0
<b>98R</b>	recoGrain rosewood <input type="checkbox"/>	+\$0
<b>991</b>	champagne ash <input type="checkbox"/>	+\$0
<b>998</b>	ebony ash <input type="checkbox"/>	+\$0
<b>99A</b>	recoGrain frosty ash <input type="checkbox"/>	+\$0
<b>99R</b>	recoGrain rosewood <input type="checkbox"/>	+\$0
<b>99T</b>	recoGrain teak <input type="checkbox"/>	+\$0
<b>9A1</b>	white ash, quarter cut, low sheen <input type="checkbox"/>	+\$0
<b>9K1</b>	rift oak, rift cut, low sheen <input type="checkbox"/>	+\$0
<b>9K6</b>	burnt oak, rift cut, low sheen <input type="checkbox"/>	+\$0
<b>ED</b>	aged cherry <input type="checkbox"/>	+\$0
<b>EK</b>	medium red walnut <input type="checkbox"/>	+\$0
<b>G2U</b>	light brown walnut, low sheen <input type="checkbox"/>	+\$0
<b>G40</b>	dark brown walnut, low sheen <input type="checkbox"/>	+\$0
<b>UX</b>	walnut on cherry <input type="checkbox"/>	+\$0

## Premium Veneer - Matte

For three box drawers (-CK)

<b>662</b>	toasted walnut, matte sheen <input type="checkbox"/>	+\$0
<b>663</b>	charred walnut, matte sheen <input type="checkbox"/>	+\$0
<b>664</b>	bronzed walnut, matte sheen <input type="checkbox"/>	+\$0
<b>665</b>	smoked walnut, matte sheen <input type="checkbox"/>	+\$0
<b>666</b>	coffee walnut, matte sheen <input type="checkbox"/>	+\$0
<b>667</b>	smoked paldao, quarter cut, matte sheen <input type="checkbox"/>	+\$666
<b>669</b>	warm paldao, quarter cut, matte sheen <input type="checkbox"/>	+\$666
<b>66A</b>	recoGrain frosty ash <input type="checkbox"/>	+\$0
<b>677</b>	chocolate ash, matte sheen <input type="checkbox"/>	+\$0
<b>678</b>	natural oak <input type="checkbox"/>	+\$0
<b>68R</b>	recoGrain rosewood <input type="checkbox"/>	+\$0
<b>69A</b>	recoGrain frosty ash <input type="checkbox"/>	+\$0
<b>69R</b>	recoGrain rosewood <input type="checkbox"/>	+\$0
<b>69T</b>	recoGrain teak <input type="checkbox"/>	+\$0
<b>6A1</b>	white ash <input type="checkbox"/>	+\$0
<b>6K1</b>	rift oak <input type="checkbox"/>	+\$0
<b>6K6</b>	burnt oak <input type="checkbox"/>	+\$0
<b>ET</b>	clear on ash <input type="checkbox"/>	+\$0
<b>EU</b>	oak on ash <input type="checkbox"/>	+\$0
<b>EV</b>	walnut on ash <input type="checkbox"/>	+\$0
<b>GOU</b>	natural walnut, flat cut, matte sheen <input type="checkbox"/>	+\$0

## RecoGrain Veneer

For three box drawers (-CK)

<b>66G</b>	recoGrain wenge <input type="checkbox"/>	-\$222
<b>68W</b>	recoGrain walnut, flat cut, matte sheen <input type="checkbox"/>	-\$222
<b>69G</b>	recoGrain wenge <input type="checkbox"/>	-\$222
<b>69K</b>	recoGrain oak, quarter cut, matte sheen <input type="checkbox"/>	-\$222
<b>69W</b>	recoGrain walnut, quarter cut, matte sheen <input type="checkbox"/>	-\$222

## Recon Veneer -

For three box drawers (-CK)

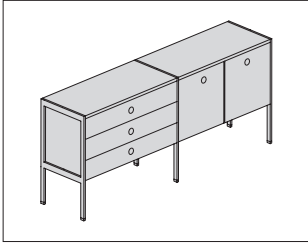
<b>96G</b>	wenge recoGrain, quarter cut, low sheen <input type="checkbox"/>	-\$222
<b>98W</b>	recoGrain walnut, flat cut, low sheen <input type="checkbox"/>	-\$222
<b>99G</b>	recoGrain wenge, quarter cut, low sheen <input type="checkbox"/>	-\$222
<b>99K</b>	recoGrain oak, quarter cut, low sheen <input type="checkbox"/>	-\$222
<b>99W</b>	recoGrain walnut, quarter cut, low sheen <input type="checkbox"/>	-\$222

## Step 5. Metal Finish

<b>BNZ</b>	bronze <input type="checkbox"/>	+\$0
<b>CHR</b>	chrome <input type="checkbox"/>	+\$0
<b>SAC</b>	satin chrome <input type="checkbox"/>	+\$0

# H-Frame Credenza Two Units Wide

JCH2-



## Product Information

### Description

This two-unit wide H-frame credenza has a wooden top and includes 1/2"-thick metal frame gables on the ends. H-frame credenzas are modular and shipped partially assembled.

### Notes

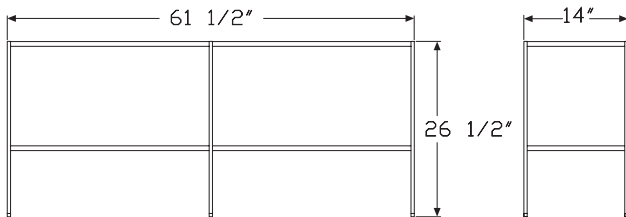
All hardware for assembly is included.

Drawer credenzas include wood boxes and self-closing hidden drawer slides.

CG six box drawer credenza includes pencil trays and felt lining in bottom of top two drawers.

When applicable, Ward Bennett Flip pulls come in matching metal finish. Santos palisander veneer is celebrated for its unique grain and color variations. Similar products ordered in multiples or dissimilar products ordered separately should be expected to have variation in both grain and color characteristics; no two products will look exactly alike.

## Dimensions



## Specification Information

### Step 1.

**JCH2** A

### Step 2. Size

**-1462** 14" deep x 61 1/2" wide x 26 1/2" high A

### Step 3. Configuration - left unit

- C1** open shelf A
- C2** two doors A
- CF** two 15" file drawers A
- CH** one file drawer A
- CK** three box drawers A

### Step 4. Configuration - right unit

#### For open shelf (-C1)

**C1** open shelf A

#### For two doors (-C2)

- C1** open shelf A
- C2** two doors A
- CG** six box drawers (top two pencil trays) A

#### For two 15" file drawers (-CF)

- CF** two 15" file drawers A
- CG** six box drawers (top two pencil trays) A

#### For one file drawer (-CH)

**CH** double doors left, 30" box/file right A

#### For three box drawers (-CK)

- C2** two doors A
- CF** two 15" file drawers A

### Prices for Steps 1-4.

		C1	C2	CF	CG	CH
<b>JCH2-1462</b>	<b>-C1</b>	\$4520	—	—	—	—
	<b>-C2</b>	\$5020	6755	—	8485	—
	<b>-CF</b>	—	—	\$7215	8715	—
	<b>-CH</b>	—	—	—	—	\$7035
	<b>-CK</b>	—	\$7635	7870	—	—

# H-Frame Credenza Two Units

## Wide *continued*

### Step 5. Wood Finish

#### Premium Veneer - Low Sheen

		-C1C1	-C2C1	-C2C2	-C2CG	-CFCF
<b>931</b>	champagne anigre (natural) <span style="border: 1px solid black; padding: 0 2px;">A</span>	+\$807	897	1206	1516	1289
<b>932</b>	sundance anigre <span style="border: 1px solid black; padding: 0 2px;">A</span>	+\$807	897	1206	1516	1289
<b>933</b>	caramel anigre <span style="border: 1px solid black; padding: 0 2px;">A</span>	+\$807	897	1206	1516	1289
<b>934</b>	henna anigre <span style="border: 1px solid black; padding: 0 2px;">A</span>	+\$807	897	1206	1516	1289
<b>941</b>	natural beech <span style="border: 1px solid black; padding: 0 2px;">A</span>	+\$0	0	0	0	0
<b>942</b>	sundance cherry (natural) <span style="border: 1px solid black; padding: 0 2px;">A</span>	+\$0	0	0	0	0
<b>943</b>	caramel cherry <span style="border: 1px solid black; padding: 0 2px;">A</span>	+\$0	0	0	0	0
<b>946</b>	cocoa cherry <span style="border: 1px solid black; padding: 0 2px;">A</span>	+\$0	0	0	0	0
<b>951</b>	natural anigre <span style="border: 1px solid black; padding: 0 2px;">A</span>	+\$1756	1950	2623	3296	2802
<b>956</b>	cocoa sapele <span style="border: 1px solid black; padding: 0 2px;">A</span>	+\$0	0	0	0	0
<b>962</b>	toasted walnut, low sheen <span style="border: 1px solid black; padding: 0 2px;">A</span>	+\$0	0	0	0	0
<b>963</b>	charred walnut, low sheen <span style="border: 1px solid black; padding: 0 2px;">A</span>	+\$0	0	0	0	0
<b>964</b>	bronzed walnut, low sheen <span style="border: 1px solid black; padding: 0 2px;">A</span>	+\$0	0	0	0	0
<b>965</b>	smoked walnut, low sheen <span style="border: 1px solid black; padding: 0 2px;">A</span>	+\$0	0	0	0	0
<b>966</b>	coffee walnut, low sheen <span style="border: 1px solid black; padding: 0 2px;">A</span>	+\$0	0	0	0	0
<b>967</b>	smoked paldao, low sheen <span style="border: 1px solid black; padding: 0 2px;">A</span>	+\$659	732	984	1236	1051
<b>969</b>	warm paldao, low sheen <span style="border: 1px solid black; padding: 0 2px;">A</span>	+\$659	732	984	1236	1051
<b>977</b>	chocolate ash, low sheen <span style="border: 1px solid black; padding: 0 2px;">A</span>	+\$0	0	0	0	0
<b>978</b>	natural oak <span style="border: 1px solid black; padding: 0 2px;">A</span>	+\$0	0	0	0	0
<b>981</b>	champagne hickory (natural) <span style="border: 1px solid black; padding: 0 2px;">A</span>	+\$0	0	0	0	0
<b>98R</b>	recograin rosewood <span style="border: 1px solid black; padding: 0 2px;">A</span>	+\$0	0	0	0	0
<b>991</b>	champagne ash <span style="border: 1px solid black; padding: 0 2px;">A</span>	+\$0	0	0	0	0
<b>998</b>	ebony ash <span style="border: 1px solid black; padding: 0 2px;">A</span>	+\$0	0	0	0	0
<b>99A</b>	recograin frosty ash <span style="border: 1px solid black; padding: 0 2px;">A</span>	+\$0	0	0	0	0
<b>99R</b>	recograin rosewood <span style="border: 1px solid black; padding: 0 2px;">A</span>	+\$0	0	0	0	0
<b>99T</b>	recograin teak <span style="border: 1px solid black; padding: 0 2px;">A</span>	+\$0	0	0	0	0
<b>9A1</b>	white ash, quarter cut, low sheen <span style="border: 1px solid black; padding: 0 2px;">A</span>	+\$0	0	0	0	0

<b>9K1</b>	rift oak, rift cut, low sheen <span style="border: 1px solid black; padding: 0 2px;">A</span>	+\$0	0	0	0	0
<b>9K6</b>	burnt oak, rift cut, low sheen <span style="border: 1px solid black; padding: 0 2px;">A</span>	+\$0	0	0	0	0
<b>ED</b>	aged cherry <span style="border: 1px solid black; padding: 0 2px;">A</span>	+\$0	0	0	0	0
<b>EK</b>	medium red walnut <span style="border: 1px solid black; padding: 0 2px;">A</span>	+\$0	0	0	0	0
<b>G2U</b>	light brown walnut, low sheen <span style="border: 1px solid black; padding: 0 2px;">A</span>	+\$0	0	0	0	0
<b>G40</b>	dark brown walnut, low sheen <span style="border: 1px solid black; padding: 0 2px;">A</span>	+\$0	0	0	0	0
<b>UX</b>	walnut on cherry <span style="border: 1px solid black; padding: 0 2px;">A</span>	+\$0	0	0	0	0

		-CFCG	-CHCH	-CKC2	-CKCF
<b>931</b>	champagne anigre (natural) <span style="border: 1px solid black; padding: 0 2px;">A</span>	+\$1557	1256	1364	1406
<b>932</b>	sundance anigre <span style="border: 1px solid black; padding: 0 2px;">A</span>	+\$1557	1256	1364	1406
<b>933</b>	caramel anigre <span style="border: 1px solid black; padding: 0 2px;">A</span>	+\$1557	1256	1364	1406
<b>934</b>	henna anigre <span style="border: 1px solid black; padding: 0 2px;">A</span>	+\$1557	1256	1364	1406
<b>941</b>	natural beech <span style="border: 1px solid black; padding: 0 2px;">A</span>	+\$0	0	0	0
<b>942</b>	sundance cherry (natural) <span style="border: 1px solid black; padding: 0 2px;">A</span>	+\$0	0	0	0
<b>943</b>	caramel cherry <span style="border: 1px solid black; padding: 0 2px;">A</span>	+\$0	0	0	0
<b>946</b>	cocoa cherry <span style="border: 1px solid black; padding: 0 2px;">A</span>	+\$0	0	0	0
<b>951</b>	natural anigre <span style="border: 1px solid black; padding: 0 2px;">A</span>	+\$3385	2732	2966	3056
<b>956</b>	cocoa sapele <span style="border: 1px solid black; padding: 0 2px;">A</span>	+\$0	0	0	0
<b>962</b>	toasted walnut, low sheen <span style="border: 1px solid black; padding: 0 2px;">A</span>	+\$0	0	0	0
<b>963</b>	charred walnut, low sheen <span style="border: 1px solid black; padding: 0 2px;">A</span>	+\$0	0	0	0
<b>964</b>	bronzed walnut, low sheen <span style="border: 1px solid black; padding: 0 2px;">A</span>	+\$0	0	0	0
<b>965</b>	smoked walnut, low sheen <span style="border: 1px solid black; padding: 0 2px;">A</span>	+\$0	0	0	0
<b>966</b>	coffee walnut, low sheen <span style="border: 1px solid black; padding: 0 2px;">A</span>	+\$0	0	0	0
<b>967</b>	smoked paldao, low sheen <span style="border: 1px solid black; padding: 0 2px;">A</span>	+\$1270	1025	1113	1146
<b>969</b>	warm paldao, low sheen <span style="border: 1px solid black; padding: 0 2px;">A</span>	+\$1270	1025	1113	1146
<b>977</b>	chocolate ash, low sheen <span style="border: 1px solid black; padding: 0 2px;">A</span>	+\$0	0	0	0
<b>978</b>	natural oak <span style="border: 1px solid black; padding: 0 2px;">A</span>	+\$0	0	0	0
<b>981</b>	champagne hickory (natural) <span style="border: 1px solid black; padding: 0 2px;">A</span>	+\$0	0	0	0
<b>98R</b>	recograin rosewood <span style="border: 1px solid black; padding: 0 2px;">A</span>	+\$0	0	0	0
<b>991</b>	champagne ash <span style="border: 1px solid black; padding: 0 2px;">A</span>	+\$0	0	0	0
<b>998</b>	ebony ash <span style="border: 1px solid black; padding: 0 2px;">A</span>	+\$0	0	0	0
<b>99A</b>	recograin frosty ash <span style="border: 1px solid black; padding: 0 2px;">A</span>	+\$0	0	0	0
<b>99R</b>	recograin rosewood <span style="border: 1px solid black; padding: 0 2px;">A</span>	+\$0	0	0	0
<b>99T</b>	recograin teak <span style="border: 1px solid black; padding: 0 2px;">A</span>	+\$0	0	0	0

# H-Frame Credenza Two Units

## Wide *continued*

HermanMiller Collection—Storage

		+\$o	o	o	o								
<b>9A1</b>	white ash, quarter cut, low sheen <span style="border: 1px solid black; padding: 0 2px;">A</span>	+\$o	o	o	o		Premium Veneer - Matte						
<b>9K1</b>	rift oak, rift cut, low sheen <span style="border: 1px solid black; padding: 0 2px;">A</span>	+\$o	o	o	o			<b>-C1C1</b>	<b>-C2C1</b>	<b>-C2C2</b>	<b>-C2CG</b>	<b>-CFCF</b>	
<b>9K6</b>	burnt oak, rift cut, low sheen <span style="border: 1px solid black; padding: 0 2px;">A</span>	+\$o	o	o	o		<b>662</b>	toasted walnut, matte sheen <span style="border: 1px solid black; padding: 0 2px;">A</span>	+\$o	o	o	o	o
<b>ED</b>	aged cherry <span style="border: 1px solid black; padding: 0 2px;">A</span>	+\$o	o	o	o		<b>663</b>	charred walnut, matte sheen <span style="border: 1px solid black; padding: 0 2px;">A</span>	+\$o	o	o	o	o
<b>EK</b>	medium red walnut <span style="border: 1px solid black; padding: 0 2px;">A</span>	+\$o	o	o	o		<b>664</b>	bronzed walnut, matte sheen <span style="border: 1px solid black; padding: 0 2px;">A</span>	+\$o	o	o	o	o
<b>G2U</b>	light brown walnut, low sheen <span style="border: 1px solid black; padding: 0 2px;">A</span>	+\$o	o	o	o		<b>665</b>	smoked walnut, matte sheen <span style="border: 1px solid black; padding: 0 2px;">A</span>	+\$o	o	o	o	o
<b>G40</b>	dark brown walnut, low sheen <span style="border: 1px solid black; padding: 0 2px;">A</span>	+\$o	o	o	o		<b>666</b>	coffee walnut, matte sheen <span style="border: 1px solid black; padding: 0 2px;">A</span>	+\$o	o	o	o	o
<b>UX</b>	walnut on cherry <span style="border: 1px solid black; padding: 0 2px;">A</span>	+\$o	o	o	o		<b>667</b>	smoked paldao, quarter cut, matte sheen <span style="border: 1px solid black; padding: 0 2px;">A</span>	+\$659	732	984	1236	1051
							<b>669</b>	warm paldao, quarter cut, matte sheen <span style="border: 1px solid black; padding: 0 2px;">A</span>	+\$659	732	984	1236	1051
							<b>66A</b>	recograin frosty ash <span style="border: 1px solid black; padding: 0 2px;">A</span>	+\$o	o	o	o	o
							<b>677</b>	chocolate ash, matte sheen <span style="border: 1px solid black; padding: 0 2px;">A</span>	+\$o	o	o	o	o
							<b>678</b>	natural oak <span style="border: 1px solid black; padding: 0 2px;">A</span>	+\$o	o	o	o	o
							<b>68R</b>	recograin rosewood <span style="border: 1px solid black; padding: 0 2px;">A</span>	+\$o	o	o	o	o
							<b>69A</b>	recograin frosty ash <span style="border: 1px solid black; padding: 0 2px;">A</span>	+\$o	o	o	o	o
							<b>69R</b>	recograin rosewood <span style="border: 1px solid black; padding: 0 2px;">A</span>	+\$o	o	o	o	o
							<b>69T</b>	recograin teak <span style="border: 1px solid black; padding: 0 2px;">A</span>	+\$o	o	o	o	o
							<b>6A1</b>	white ash <span style="border: 1px solid black; padding: 0 2px;">A</span>	+\$o	o	o	o	o
							<b>6K1</b>	rift oak <span style="border: 1px solid black; padding: 0 2px;">A</span>	+\$o	o	o	o	o
							<b>6K6</b>	burnt oak <span style="border: 1px solid black; padding: 0 2px;">A</span>	+\$o	o	o	o	o
							<b>ET</b>	clear on ash <span style="border: 1px solid black; padding: 0 2px;">A</span>	+\$o	o	o	o	o
							<b>EU</b>	oak on ash <span style="border: 1px solid black; padding: 0 2px;">A</span>	+\$o	o	o	o	o
							<b>EV</b>	walnut on ash <span style="border: 1px solid black; padding: 0 2px;">A</span>	+\$o	o	o	o	o
							<b>GOU</b>	natural walnut, flat cut, matte sheen <span style="border: 1px solid black; padding: 0 2px;">A</span>	+\$o	o	o	o	o



# H-Frame Credenza Two Units

## Wide *continued*

		-CFCG	-CHCH	-CKC2	-CKCF
<b>662</b>	toasted walnut, matte sheen <a href="#">A</a>	+\$0	0	0	0
<b>663</b>	charred walnut, matte sheen <a href="#">A</a>	+\$0	0	0	0
<b>664</b>	bronzed walnut, matte sheen <a href="#">A</a>	+\$0	0	0	0
<b>665</b>	smoked walnut, matte sheen <a href="#">A</a>	+\$0	0	0	0
<b>666</b>	coffee walnut, matte sheen <a href="#">A</a>	+\$0	0	0	0
<b>667</b>	smoked paldao, quarter cut, matte sheen <a href="#">A</a>	+\$1270	1025	1113	1146
<b>669</b>	warm paldao, quarter cut, matte sheen <a href="#">A</a>	+\$1270	1025	1113	1146
<b>66A</b>	recograin frosty ash <a href="#">A</a>	+\$0	0	0	0
<b>677</b>	chocolate ash, matte sheen <a href="#">A</a>	+\$0	0	0	0
<b>678</b>	natural oak <a href="#">A</a>	+\$0	0	0	0
<b>68R</b>	recograin rosewood <a href="#">A</a>	+\$0	0	0	0
<b>69A</b>	recograin frosty ash <a href="#">A</a>	+\$0	0	0	0
<b>69R</b>	recograin rosewood <a href="#">A</a>	+\$0	0	0	0
<b>69T</b>	recograin teak <a href="#">A</a>	+\$0	0	0	0
<b>6A1</b>	white ash <a href="#">A</a>	+\$0	0	0	0
<b>6K1</b>	rift oak <a href="#">A</a>	+\$0	0	0	0
<b>6K6</b>	burnt oak <a href="#">A</a>	+\$0	0	0	0
<b>ET</b>	clear on ash <a href="#">A</a>	+\$0	0	0	0
<b>EU</b>	oak on ash <a href="#">A</a>	+\$0	0	0	0
<b>EV</b>	walnut on ash <a href="#">A</a>	+\$0	0	0	0
<b>GOU</b>	natural walnut, flat cut, matte sheen <a href="#">A</a>	+\$0	0	0	0

### RecoGrain Veneer

		-C1C1	-C2C1	-C2C2	-C2CG	-CFCF
<b>66G</b>	recograin wenge <a href="#">A</a>	-\$220	-244	-328	-412	-351
<b>68W</b>	recograin walnut, flat cut, matte sheen <a href="#">A</a>	-\$220	-244	-328	-412	-351
<b>69G</b>	recograin wenge <a href="#">A</a>	-\$220	-244	-328	-412	-351
<b>69K</b>	recograin oak, quarter cut, matte sheen <a href="#">A</a>	-\$220	-244	-328	-412	-351
<b>69W</b>	recograin walnut, quarter cut, matte sheen <a href="#">A</a>	-\$220	-244	-328	-412	-351

		-CFCG	-CHCH	-CKC2	-CKCF
<b>66G</b>	recograin wenge <a href="#">A</a>	-\$424	-342	-371	-382
<b>68W</b>	recograin walnut, flat cut, matte sheen <a href="#">A</a>	-\$424	-342	-371	-382
<b>69G</b>	recograin wenge <a href="#">A</a>	-\$424	-342	-371	-382
<b>69K</b>	recograin oak, quarter cut, matte sheen <a href="#">A</a>	-\$424	-342	-371	-382
<b>69W</b>	recograin walnut, quarter cut, matte sheen <a href="#">A</a>	-\$424	-342	-371	-382

### Recon Veneer -

		-C1C1	-C2C1	-C2C2	-C2CG	-CFCF
<b>96G</b>	wenge recograin, quarter cut, low sheen <a href="#">A</a>	-\$220	-244	-328	-412	-351
<b>98W</b>	recograin walnut, flat cut, low sheen <a href="#">A</a>	-\$220	-244	-328	-412	-351
<b>99G</b>	recograin wenge, quarter cut, low sheen <a href="#">A</a>	-\$220	-244	-328	-412	-351
<b>99K</b>	recograin oak, quarter cut, low sheen <a href="#">A</a>	-\$220	-244	-328	-412	-351
<b>99W</b>	recograin walnut, quarter cut, low sheen <a href="#">A</a>	-\$220	-244	-328	-412	-351

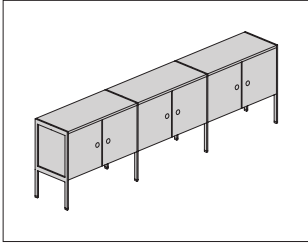
		-CFCG	-CHCH	-CKC2	-CKCF
<b>96G</b>	wenge recograin, quarter cut, low sheen <a href="#">A</a>	-\$424	-342	-371	-382
<b>98W</b>	recograin walnut, flat cut, low sheen <a href="#">A</a>	-\$424	-342	-371	-382
<b>99G</b>	recograin wenge, quarter cut, low sheen <a href="#">A</a>	-\$424	-342	-371	-382
<b>99K</b>	recograin oak, quarter cut, low sheen <a href="#">A</a>	-\$424	-342	-371	-382
<b>99W</b>	recograin walnut, quarter cut, low sheen <a href="#">A</a>	-\$424	-342	-371	-382

### Step 6. Metal Finish

<b>BNZ</b>	bronze <a href="#">A</a>	+\$0
<b>CHR</b>	chrome <a href="#">A</a>	+\$0
<b>SAC</b>	satin chrome <a href="#">A</a>	+\$0

# H-Frame Credenza Three Units Wide

JCH3-  
Wide



HermanMiller Collection—Storage

## Product Information

### Description

This three-unit wide H-frame credenza has a wooden top and includes 1/2"-thick metal frame gables on the ends. H-frame credenzas are modular and shipped partially assembled.

### Notes

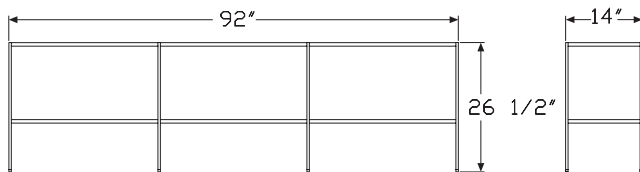
All hardware for assembly is included.

Drawer credenzas include wood boxes and self-closing hidden drawer slides.

CG six box drawer credenza includes pencil trays and felt lining in bottom of top two drawers.

When applicable, Ward Bennett Flip pulls come in matching metal finish. Santos palisander veneer is celebrated for its unique grain and color variations. Similar products ordered in multiples or dissimilar products ordered separately should be expected to have variation in both grain and color characteristics; no two products will look exactly alike.

### Dimensions



## Specification Information

### Step 1.

**JCH3**

### Step 2. Size

**-1492** 14" deep x 92" wide x 26 1/2" high

### Step 3. Configuration - left unit

**-C1** open shelf

**-C2** two doors

**-CF** two 15" file drawers

**-CH** one file drawer

### Step 4. Configuration - middle unit

#### For open shelf (-C1)

**C1** open shelf

**C2** two doors

**CF** two 15" file drawers

**CG** six box drawers (top two pencil trays)

#### For two doors (-C2)

**C2** two doors

#### For two 15" file drawers (-CF)

**CF** two 15" file drawers

#### For one file drawer (-CH)

**CH** one file drawer

### Step 5. Configuration - right unit

#### For open shelf (-C1) with open shelf (C1)

**C1** open shelf

#### For open shelf (-C1) with two doors (C2)

**C2** two doors

#### For open shelf (-C1) with two 15" file drawers (CF)

**C2** two doors

#### For open shelf (-C1) with six box drawers (top two pencil trays) (CG)

**C2** two doors

#### For two doors (-C2) with two doors (C2)

**C2** two doors

# H-Frame Credenza Three Units

## Wide *continued*

For two 15" file drawers (-CF) with two 15" file drawers (CF)

CF two 15" file drawers

For one file drawer (-CH) with one file drawer (CH)

CH double doors left, 30" box/file right

Prices for Steps 1-5.

		C1	CF	CH	C2
JCH3-1492	-C1 C1	\$6469	—	—	—
	C2	—	—	—	\$8703
	CF	—	—	—	\$8935
	CG	—	—	—	\$10436
	-C2 C2	—	—	—	\$9818
	-CF CF	—	\$10512	—	—
	-CH CH	—	—	\$10243	—

Step 6. Wood Finish

Premium Veneer - Low Sheen

		-C1C1C1	-C1C2C2	-C1CF2	-C1CG2	-C2C2C2
931	champagne anigre (natural) <input type="checkbox"/>	+\$1155	1554	1596	1864	1754
932	sundance anigre <input type="checkbox"/>	+\$1155	1554	1596	1864	1754
933	caramel anigre <input type="checkbox"/>	+\$1155	1554	1596	1864	1754
934	henna anigre <input type="checkbox"/>	+\$1155	1554	1596	1864	1754
941	natural beech <input type="checkbox"/>	+\$0	0	0	0	0
942	sundance cherry (natural) <input type="checkbox"/>	+\$0	0	0	0	0
943	caramel cherry <input type="checkbox"/>	+\$0	0	0	0	0
946	cocoa cherry <input type="checkbox"/>	+\$0	0	0	0	0
951	natural anigre <input type="checkbox"/>	+\$2513	3380	3470	4053	3813
956	cocoa sapele <input type="checkbox"/>	+\$0	0	0	0	0
962	toasted walnut, low sheen <input type="checkbox"/>	+\$0	0	0	0	0
963	charred walnut, low sheen <input type="checkbox"/>	+\$0	0	0	0	0
964	bronzed walnut, low sheen <input type="checkbox"/>	+\$0	0	0	0	0
965	smoked walnut, low sheen <input type="checkbox"/>	+\$0	0	0	0	0
966	coffee walnut, low sheen <input type="checkbox"/>	+\$0	0	0	0	0
967	smoked paldao, low sheen <input type="checkbox"/>	+\$943	1268	1302	1520	1430
969	warm paldao, low sheen <input type="checkbox"/>	+\$943	1268	1302	1520	1430

977	chocolate ash, low sheen <input type="checkbox"/>	+\$0	0	0	0	0
978	natural oak <input type="checkbox"/>	+\$0	0	0	0	0
981	champagne hickory (natural) <input type="checkbox"/>	+\$0	0	0	0	0
98R	recograin rosewood <input type="checkbox"/>	+\$0	0	0	0	0
991	champagne ash <input type="checkbox"/>	+\$0	0	0	0	0
998	ebony ash <input type="checkbox"/>	+\$0	0	0	0	0
99A	recograin frosty ash <input type="checkbox"/>	+\$0	0	0	0	0
99R	recograin rosewood <input type="checkbox"/>	+\$0	0	0	0	0
99T	recograin teak <input type="checkbox"/>	+\$0	0	0	0	0
9A1	white ash, quarter cut, low sheen <input type="checkbox"/>	+\$0	0	0	0	0
9K1	rift oak, rift cut, low sheen <input type="checkbox"/>	+\$0	0	0	0	0
9K6	burnt oak, rift cut, low sheen <input type="checkbox"/>	+\$0	0	0	0	0
ED	aged cherry <input type="checkbox"/>	+\$0	0	0	0	0
EK	medium red walnut <input type="checkbox"/>	+\$0	0	0	0	0
G2U	light brown walnut, low sheen <input type="checkbox"/>	+\$0	0	0	0	0
G40	dark brown walnut, low sheen <input type="checkbox"/>	+\$0	0	0	0	0
UX	walnut on cherry <input type="checkbox"/>	+\$0	0	0	0	0

-CFCFCF -CHCHCH

931	champagne anigre (natural) <input type="checkbox"/>	+\$1878	1830
932	sundance anigre <input type="checkbox"/>	+\$1878	1830
933	caramel anigre <input type="checkbox"/>	+\$1878	1830
934	henna anigre <input type="checkbox"/>	+\$1878	1830
941	natural beech <input type="checkbox"/>	+\$0	0
942	sundance cherry (natural) <input type="checkbox"/>	+\$0	0
943	caramel cherry <input type="checkbox"/>	+\$0	0
946	cocoa cherry <input type="checkbox"/>	+\$0	0
951	natural anigre <input type="checkbox"/>	+\$4083	3978
956	cocoa sapele <input type="checkbox"/>	+\$0	0
962	toasted walnut, low sheen <input type="checkbox"/>	+\$0	0
963	charred walnut, low sheen <input type="checkbox"/>	+\$0	0
964	bronzed walnut, low sheen <input type="checkbox"/>	+\$0	0
965	smoked walnut, low sheen <input type="checkbox"/>	+\$0	0
966	coffee walnut, low sheen <input type="checkbox"/>	+\$0	0
967	smoked paldao, low sheen <input type="checkbox"/>	+\$1531	1492
969	warm paldao, low sheen <input type="checkbox"/>	+\$1531	1492

# H-Frame Credenza Three Units

## Wide *continued*

HermanMiller Collection—Storage

<b>977</b>	chocolate ash, low sheen <input type="checkbox"/>	+\$0	o
<b>978</b>	natural oak <input type="checkbox"/>	+\$0	o
<b>981</b>	champagne hickory (natural) <input type="checkbox"/>	+\$0	o
<b>98R</b>	recograin rosewood <input type="checkbox"/>	+\$0	o
<b>991</b>	champagne ash <input type="checkbox"/>	+\$0	o
<b>998</b>	ebony ash <input type="checkbox"/>	+\$0	o
<b>99A</b>	recograin frosty ash <input type="checkbox"/>	+\$0	o
<b>99R</b>	recograin rosewood <input type="checkbox"/>	+\$0	o
<b>99T</b>	recograin teak <input type="checkbox"/>	+\$0	o
<b>9A1</b>	white ash, quarter cut, low sheen <input type="checkbox"/>	+\$0	o
<b>9K1</b>	rift oak, rift cut, low sheen <input type="checkbox"/>	+\$0	o
<b>9K6</b>	burnt oak, rift cut, low sheen <input type="checkbox"/>	+\$0	o
<b>ED</b>	aged cherry <input type="checkbox"/>	+\$0	o
<b>EK</b>	medium red walnut <input type="checkbox"/>	+\$0	o
<b>G2U</b>	light brown walnut, low sheen <input type="checkbox"/>	+\$0	o
<b>G40</b>	dark brown walnut, low sheen <input type="checkbox"/>	+\$0	o
<b>UX</b>	walnut on cherry <input type="checkbox"/>	+\$0	o

Premium Veneer - Matte		-C1C1C1	-C1C2C2	-C1CFC2	-C1CGC2	-C2C2C2
<b>662</b>	toasted walnut, matte sheen <input type="checkbox"/>	+\$0	o	o	o	o
<b>663</b>	charred walnut, matte sheen <input type="checkbox"/>	+\$0	o	o	o	o
<b>664</b>	bronzed walnut, matte sheen <input type="checkbox"/>	+\$0	o	o	o	o
<b>665</b>	smoked walnut, matte sheen <input type="checkbox"/>	+\$0	o	o	o	o
<b>666</b>	coffee walnut, matte sheen <input type="checkbox"/>	+\$0	o	o	o	o
<b>667</b>	smoked paldao, quarter cut, matte sheen <input type="checkbox"/>	+\$943	1268	1302	1520	1430
<b>669</b>	warm paldao, quarter cut, matte sheen <input type="checkbox"/>	+\$943	1268	1302	1520	1430
<b>66A</b>	recograin frosty ash <input type="checkbox"/>	+\$0	o	o	o	o
<b>677</b>	chocolate ash, matte sheen <input type="checkbox"/>	+\$0	o	o	o	o
<b>678</b>	natural oak <input type="checkbox"/>	+\$0	o	o	o	o
<b>68R</b>	recograin rosewood <input type="checkbox"/>	+\$0	o	o	o	o
<b>69A</b>	recograin frosty ash <input type="checkbox"/>	+\$0	o	o	o	o
<b>69R</b>	recograin rosewood <input type="checkbox"/>	+\$0	o	o	o	o
<b>69T</b>	recograin teak <input type="checkbox"/>	+\$0	o	o	o	o
<b>6A1</b>	white ash <input type="checkbox"/>	+\$0	o	o	o	o
<b>6K1</b>	rift oak <input type="checkbox"/>	+\$0	o	o	o	o
<b>6K6</b>	burnt oak <input type="checkbox"/>	+\$0	o	o	o	o
<b>ET</b>	clear on ash <input type="checkbox"/>	+\$0	o	o	o	o
<b>EU</b>	oak on ash <input type="checkbox"/>	+\$0	o	o	o	o
<b>EV</b>	walnut on ash <input type="checkbox"/>	+\$0	o	o	o	o
<b>GOU</b>	natural walnut, flat cut, matte sheen <input type="checkbox"/>	+\$0	o	o	o	o

# H-Frame Credenza Three Units

Wide *continued*

		-CFCFCF	-CHCHCH
662	toasted walnut, matte sheen <input type="checkbox"/>	+\$0	0
663	charred walnut, matte sheen <input type="checkbox"/>	+\$0	0
664	bronzed walnut, matte sheen <input type="checkbox"/>	+\$0	0
665	smoked walnut, matte sheen <input type="checkbox"/>	+\$0	0
666	coffee walnut, matte sheen <input type="checkbox"/>	+\$0	0
667	smoked paldao, quarter cut, matte sheen <input type="checkbox"/>	+\$1531	1492
669	warm paldao, quarter cut, matte sheen <input type="checkbox"/>	+\$1531	1492
66A	recograin frosty ash <input type="checkbox"/>	+\$0	0
677	chocolate ash, matte sheen <input type="checkbox"/>	+\$0	0
678	natural oak <input type="checkbox"/>	+\$0	0
68R	recograin rosewood <input type="checkbox"/>	+\$0	0
69A	recograin frosty ash <input type="checkbox"/>	+\$0	0
69R	recograin rosewood <input type="checkbox"/>	+\$0	0
69T	recograin teak <input type="checkbox"/>	+\$0	0
6A1	white ash <input type="checkbox"/>	+\$0	0
6K1	rift oak <input type="checkbox"/>	+\$0	0
6K6	burnt oak <input type="checkbox"/>	+\$0	0
ET	clear on ash <input type="checkbox"/>	+\$0	0
EU	oak on ash <input type="checkbox"/>	+\$0	0
EV	walnut on ash <input type="checkbox"/>	+\$0	0
GOU	natural walnut, flat cut, matte sheen <input type="checkbox"/>	+\$0	0

## RecoGrain Veneer

		-C1C1C1	-C1C2C2	-C1CFC2	-C1CGC2	-C2C2C2
66G	recograin wenge <input type="checkbox"/>	-\$315	-423	-434	-507	-477
68W	recograin walnut, flat cut, matte sheen <input type="checkbox"/>	-\$315	-423	-434	-507	-477
69G	recograin wenge <input type="checkbox"/>	-\$315	-423	-434	-507	-477
69K	recograin oak, quarter cut, matte sheen <input type="checkbox"/>	-\$315	-423	-434	-507	-477
69W	recograin walnut, quarter cut, matte sheen <input type="checkbox"/>	-\$315	-423	-434	-507	-477

		-CFCFCF	-CHCHCH
66G	recograin wenge <input type="checkbox"/>	-\$511	-498
68W	recograin walnut, flat cut, matte sheen <input type="checkbox"/>	-\$511	-498
69G	recograin wenge <input type="checkbox"/>	-\$511	-498
69K	recograin oak, quarter cut, matte sheen <input type="checkbox"/>	-\$511	-498
69W	recograin walnut, quarter cut, matte sheen <input type="checkbox"/>	-\$511	-498

## Recon Veneer -

		-C1C1C1	-C1C2C2	-C1CFC2	-C1CGC2	-C2C2C2
96G	wenge recograin, quarter cut, low sheen <input type="checkbox"/>	-\$315	-423	-434	-507	-477
98W	recograin walnut, flat cut, low sheen <input type="checkbox"/>	-\$315	-423	-434	-507	-477
99G	recograin wenge, quarter cut, low sheen <input type="checkbox"/>	-\$315	-423	-434	-507	-477
99K	recograin oak, quarter cut, low sheen <input type="checkbox"/>	-\$315	-423	-434	-507	-477
99W	recograin walnut, quarter cut, low sheen <input type="checkbox"/>	-\$315	-423	-434	-507	-477

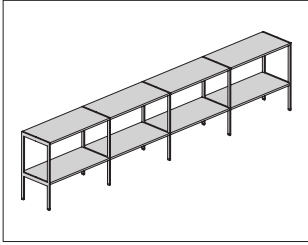
		-CFCFCF	-CHCHCH
96G	wenge recograin, quarter cut, low sheen <input type="checkbox"/>	-\$511	-498
98W	recograin walnut, flat cut, low sheen <input type="checkbox"/>	-\$511	-498
99G	recograin wenge, quarter cut, low sheen <input type="checkbox"/>	-\$511	-498
99K	recograin oak, quarter cut, low sheen <input type="checkbox"/>	-\$511	-498
99W	recograin walnut, quarter cut, low sheen <input type="checkbox"/>	-\$511	-498

## Step 7. Metal Finish

BNZ	bronze <input type="checkbox"/>	+\$0
CHR	chrome <input type="checkbox"/>	+\$0
SAC	satin chrome <input type="checkbox"/>	+\$0

# H-Frame Credenza Four Units Wide

JCH4-



## Product Information

### Description

This four-unit wide H-frame credenza has a wooden top and includes 1/2"-thick metal frame gables on the ends. H-frame credenzas are modular and shipped partially assembled.

### Notes

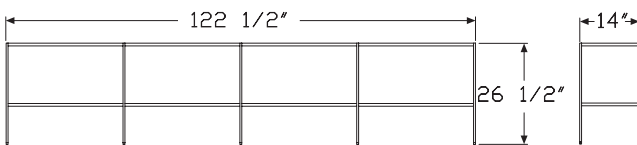
All hardware for assembly is included.

Drawer credenzas include wood boxes and self-closing hidden drawer slides.

CG six box drawer credenza includes pencil trays and felt lining in bottom of top two drawers.

When applicable, Ward Bennett Flip pulls come in matching metal finish. Santos palisander veneer is celebrated for its unique grain and color variations. Similar products ordered in multiples or dissimilar products ordered separately should be expected to have variation in both grain and color characteristics; no two products will look exactly alike.

## Dimensions



## Specification Information

### Step 1.

**JCH4**

### Step 2. Size

**-14123** 14" deep x 122 1/2" wide x 26 1/2" high

### Step 3. Configuration - left unit

**-C1** open shelf

**-C2** two doors

**-CF** two 15" file drawers

**-CH** one file drawer

### Step 4. Configuration - left center unit

#### For open shelf (-C1)

**C1** open shelf

**CG** six box drawers (top two pencil trays)

#### For two doors (-C2)

**C2** two doors

#### For two 15" file drawers (-CF)

**CF** two 15" file drawers

#### For one file drawer (-CH)

**CH** one file drawer

### Step 5. Configuration - right center unit

#### For open shelf (-C1) with open shelf (C1)

**C1** open shelf

**C2** two doors

**CG** six box drawers (top two pencil trays)

#### For open shelf (-C1) with six box drawers (top two pencil trays) (CG)

**CF** two 15" file drawers

#### For two doors (-C2) with two doors (C2)

**C2** two doors

#### For two 15" file drawers (-CF) with two 15" file drawers (CF)

**CF** two 15" file drawers

#### For one file drawer (-CH) with one file drawer (CH)

**CH** one file drawer

# H-Frame Credenza Four Units

Wide *continued*

## Step 6. Configuration - right unit

*For open shelf (-C1) with open shelf (C1) with open shelf (C1)*

**C1** open shelf A

*For open shelf (-C1) with open shelf (C1) with two doors (C2)*

**C2** two doors A

*For open shelf (-C1) with open shelf (C1) with six box drawers (top two pencil trays) (CG)*

**C2** two doors A

*For open shelf (-C1) with six box drawers (top two pencil trays) (CG) with two 15" file drawers (CF)*

**C2** two doors A

*For two doors (-C2) with two doors (C2) with two doors (C2)*

**C2** two doors A

*For two 15" file drawers (-CF) with two 15" file drawers (CF) with two 15" file drawers (CF)*

**CF** two 15" file drawers A

*For one file drawer (-CH) with one file drawer (CH) with one file drawer (CH)*

**CH** double doors left, 30" box/file right A

### Prices for Steps 1-6.

		C1C1	C1C2	CFCF	CFC2	CHCH	C2C2
<b>JCH4-14123</b>	<b>-C1 C1</b>	\$8421	—	—	—	—	10655
	<b>CG</b>	—	—	—	\$13733	—	—
	<b>-C2 C2</b>	—	—	—	—	—	\$12886
	<b>-CF CF</b>	—	—	\$13812	—	—	—
	<b>-CH CH</b>	—	—	—	—	—	\$13452
						<b>CGCF</b>	<b>CGC2</b>
<b>JCH4-14123</b>	<b>-C1 C1</b>						— \$12386

## Step 7. Wood Finish

Premium Veneer - Low Sheen

*For open shelf (C1), two doors (C2), two 15" file drawers (CF) AND one file drawer (CH)*

		-C1C1C1	-C1C1C2	-C1C1CGC2	-C1CGCF2	-C2C2C2
<b>931</b>	champagne anigre (natural) <span style="border: 1px solid black; padding: 0 2px;">A</span>	+\$1504	1903	2212	2302	2467

<b>932</b>	sundance anigre <span style="border: 1px solid black; padding: 0 2px;">A</span>	+\$1504	1903	2212	2302	2467
<b>933</b>	caramel anigre <span style="border: 1px solid black; padding: 0 2px;">A</span>	+\$1504	1903	2212	2302	2467
<b>934</b>	henna anigre <span style="border: 1px solid black; padding: 0 2px;">A</span>	+\$1504	1903	2212	2302	2467
<b>941</b>	natural beech <span style="border: 1px solid black; padding: 0 2px;">A</span>	+\$0	0	0	0	0
<b>942</b>	sundance cherry (natural) <span style="border: 1px solid black; padding: 0 2px;">A</span>	+\$0	0	0	0	0
<b>943</b>	caramel cherry <span style="border: 1px solid black; padding: 0 2px;">A</span>	+\$0	0	0	0	0
<b>946</b>	cocoa cherry <span style="border: 1px solid black; padding: 0 2px;">A</span>	+\$0	0	0	0	0
<b>951</b>	natural anigre <span style="border: 1px solid black; padding: 0 2px;">A</span>	+\$3271	4138	4810	5005	5364
<b>956</b>	cocoa sapele <span style="border: 1px solid black; padding: 0 2px;">A</span>	+\$0	0	0	0	0
<b>962</b>	toasted walnut, low sheen <span style="border: 1px solid black; padding: 0 2px;">A</span>	+\$0	0	0	0	0
<b>963</b>	charred walnut, low sheen <span style="border: 1px solid black; padding: 0 2px;">A</span>	+\$0	0	0	0	0
<b>964</b>	bronzed walnut, low sheen <span style="border: 1px solid black; padding: 0 2px;">A</span>	+\$0	0	0	0	0
<b>965</b>	smoked walnut, low sheen <span style="border: 1px solid black; padding: 0 2px;">A</span>	+\$0	0	0	0	0
<b>966</b>	coffee walnut, low sheen <span style="border: 1px solid black; padding: 0 2px;">A</span>	+\$0	0	0	0	0
<b>967</b>	smoked paldao, low sheen <span style="border: 1px solid black; padding: 0 2px;">A</span>	+\$1227	1552	1804	1877	2012
<b>969</b>	warm paldao, low sheen <span style="border: 1px solid black; padding: 0 2px;">A</span>	+\$1227	1552	1804	1877	2012
<b>977</b>	chocolate ash, low sheen <span style="border: 1px solid black; padding: 0 2px;">A</span>	+\$0	0	0	0	0
<b>978</b>	natural oak <span style="border: 1px solid black; padding: 0 2px;">A</span>	+\$0	0	0	0	0
<b>981</b>	champagne hickory (natural) <span style="border: 1px solid black; padding: 0 2px;">A</span>	+\$0	0	0	0	0
<b>98R</b>	recograin rosewood <span style="border: 1px solid black; padding: 0 2px;">A</span>	+\$0	0	0	0	0
<b>991</b>	champagne ash <span style="border: 1px solid black; padding: 0 2px;">A</span>	+\$0	0	0	0	0
<b>998</b>	ebony ash <span style="border: 1px solid black; padding: 0 2px;">A</span>	+\$0	0	0	0	0
<b>99A</b>	recograin frosty ash <span style="border: 1px solid black; padding: 0 2px;">A</span>	+\$0	0	0	0	0
<b>99R</b>	recograin rosewood <span style="border: 1px solid black; padding: 0 2px;">A</span>	+\$0	0	0	0	0
<b>99T</b>	recograin teak <span style="border: 1px solid black; padding: 0 2px;">A</span>	+\$0	0	0	0	0
<b>9A1</b>	white ash, quarter cut, low sheen <span style="border: 1px solid black; padding: 0 2px;">A</span>	+\$0	0	0	0	0
<b>9K1</b>	rift oak, rift cut, low sheen <span style="border: 1px solid black; padding: 0 2px;">A</span>	+\$0	0	0	0	0
<b>9K6</b>	burnt oak, rift cut, low sheen <span style="border: 1px solid black; padding: 0 2px;">A</span>	+\$0	0	0	0	0
<b>ED</b>	aged cherry <span style="border: 1px solid black; padding: 0 2px;">A</span>	+\$0	0	0	0	0

# H-Frame Credenza Four Units

Wide *continued*

HermanMiller Collection—Storage

<b>EK</b>	medium red walnut <a href="#">A</a>	+\$0	0	0	0	0
<b>G2U</b>	light brown walnut, low sheen <a href="#">A</a>	+\$0	0	0	0	0
<b>G40</b>	dark brown walnut, low sheen <a href="#">A</a>	+\$0	0	0	0	0
<b>UX</b>	walnut on cherry <a href="#">A</a>	+\$0	0	0	0	0
-----CFCFCFCF -CHCHCHCH						
<b>931</b>	champagne anigre (natural) <a href="#">A</a>					+\$2403
<b>932</b>	sundance anigre <a href="#">A</a>					+\$2403
<b>933</b>	caramel anigre <a href="#">A</a>					+\$2403
<b>934</b>	henna anigre <a href="#">A</a>					+\$2403
<b>941</b>	natural beech <a href="#">A</a>					+\$0
<b>942</b>	sundance cherry (natural) <a href="#">A</a>					+\$0
<b>943</b>	caramel cherry <a href="#">A</a>					+\$0
<b>946</b>	cocoa cherry <a href="#">A</a>					+\$0
<b>951</b>	natural anigre <a href="#">A</a>					+\$5225
<b>956</b>	cocoa sapele <a href="#">A</a>					+\$0
<b>962</b>	toasted walnut, low sheen <a href="#">A</a>					+\$0
<b>963</b>	charred walnut, low sheen <a href="#">A</a>					+\$0
<b>964</b>	bronzed walnut, low sheen <a href="#">A</a>					+\$0
<b>965</b>	smoked walnut, low sheen <a href="#">A</a>					+\$0
<b>966</b>	coffee walnut, low sheen <a href="#">A</a>					+\$0
<b>967</b>	smoked paldao, low sheen <a href="#">A</a>					+\$1960
<b>969</b>	warm paldao, low sheen <a href="#">A</a>					+\$1960
<b>977</b>	chocolate ash, low sheen <a href="#">A</a>					+\$0
<b>978</b>	natural oak <a href="#">A</a>					+\$0
<b>981</b>	champagne hickory (natural) <a href="#">A</a>					+\$0
<b>98R</b>	recograin rosewood <a href="#">A</a>					+\$0
<b>991</b>	champagne ash <a href="#">A</a>					+\$0
<b>998</b>	ebony ash <a href="#">A</a>					+\$0
<b>99A</b>	recograin frosty ash <a href="#">A</a>					+\$0
<b>99R</b>	recograin rosewood <a href="#">A</a>					+\$0
<b>99T</b>	recograin teak <a href="#">A</a>					+\$0
<b>9A1</b>	white ash, quarter cut, low sheen <a href="#">A</a>					+\$0
<b>9K1</b>	rift oak, rift cut, low sheen <a href="#">A</a>					+\$0
<b>9K6</b>	burnt oak, rift cut, low sheen <a href="#">A</a>					+\$0
<b>ED</b>	aged cherry <a href="#">A</a>					+\$0
<b>EK</b>	medium red walnut <a href="#">A</a>					+\$0
<b>G2U</b>	light brown walnut, low sheen <a href="#">A</a>					+\$0
<b>G40</b>	dark brown walnut, low sheen <a href="#">A</a>					+\$0
<b>UX</b>	walnut on cherry <a href="#">A</a>					+\$0

Premium Veneer - Matte						
<i>For open shelf (C1), two doors (C2), two 15" file drawers (CF) AND one file drawer (CH)</i>						
		-C1C1C1C1	-C1C1C2C2	-C1C1CGC2	-C1CGCFC2	-C2C2C2C2
<b>662</b>	toasted walnut, matte sheen <a href="#">A</a>	+\$0	0	0	0	0
<b>663</b>	charred walnut, matte sheen <a href="#">A</a>	+\$0	0	0	0	0
<b>664</b>	bronzed walnut, matte sheen <a href="#">A</a>	+\$0	0	0	0	0
<b>665</b>	smoked walnut, matte sheen <a href="#">A</a>	+\$0	0	0	0	0
<b>666</b>	coffee walnut, matte sheen <a href="#">A</a>	+\$0	0	0	0	0
<b>667</b>	smoked paldao, quarter cut, matte sheen <a href="#">A</a>	+\$1227	1552	1804	1877	2012
<b>669</b>	warm paldao, quarter cut, matte sheen <a href="#">A</a>	+\$1227	1552	1804	1877	2012
<b>66A</b>	recograin frosty ash <a href="#">A</a>	+\$0	0	0	0	0
<b>677</b>	chocolate ash, matte sheen <a href="#">A</a>	+\$0	0	0	0	0
<b>678</b>	natural oak <a href="#">A</a>	+\$0	0	0	0	0
<b>68R</b>	recograin rosewood <a href="#">A</a>	+\$0	0	0	0	0
<b>69A</b>	recograin frosty ash <a href="#">A</a>	+\$0	0	0	0	0
<b>69R</b>	recograin rosewood <a href="#">A</a>	+\$0	0	0	0	0
<b>69T</b>	recograin teak <a href="#">A</a>	+\$0	0	0	0	0
<b>6A1</b>	white ash <a href="#">A</a>	+\$0	0	0	0	0
<b>6K1</b>	rift oak <a href="#">A</a>	+\$0	0	0	0	0
<b>6K6</b>	burnt oak <a href="#">A</a>	+\$0	0	0	0	0
<b>ET</b>	clear on ash <a href="#">A</a>	+\$0	0	0	0	0
<b>EU</b>	oak on ash <a href="#">A</a>	+\$0	0	0	0	0
<b>EV</b>	walnut on ash <a href="#">A</a>	+\$0	0	0	0	0
<b>GOU</b>	natural walnut, flat cut, matte sheen <a href="#">A</a>	+\$0	0	0	0	0



# H-Frame Credenza Four Units

## Wide *continued*

		-CFCFCFCF	-CHCHCHCH
662	toasted walnut, matte sheen <input type="checkbox"/>		+\$0
663	charred walnut, matte sheen <input type="checkbox"/>		+\$0
664	bronzed walnut, matte sheen <input type="checkbox"/>		+\$0
665	smoked walnut, matte sheen <input type="checkbox"/>		+\$0
666	coffee walnut, matte sheen <input type="checkbox"/>		+\$0
667	smoked paldao, quarter cut, matte sheen <input type="checkbox"/>		+\$1960
669	warm paldao, quarter cut, matte sheen <input type="checkbox"/>		+\$1960
66A	recograin frosty ash <input type="checkbox"/>		+\$0
677	chocolate ash, matte sheen <input type="checkbox"/>		+\$0
678	natural oak <input type="checkbox"/>		+\$0
68R	recograin rosewood <input type="checkbox"/>		+\$0
69A	recograin frosty ash <input type="checkbox"/>		+\$0
69R	recograin rosewood <input type="checkbox"/>		+\$0
69T	recograin teak <input type="checkbox"/>		+\$0
6A1	white ash <input type="checkbox"/>		+\$0
6K1	rift oak <input type="checkbox"/>		+\$0
6K6	burnt oak <input type="checkbox"/>		+\$0
ET	clear on ash <input type="checkbox"/>		+\$0
EU	oak on ash <input type="checkbox"/>		+\$0
EV	walnut on ash <input type="checkbox"/>		+\$0
GOU	natural walnut, flat cut, matte sheen <input type="checkbox"/>		+\$0

### RecoGrain Veneer

For open shelf (C1), two doors (C2), two 15" file drawers (CF) AND one file drawer (CH)

		-C1C1C1C1	-C1C1C2C2	-C1C1C6C2	-C1C6CFC2	-C2C2C2C2
66G	recograin wenge <input type="checkbox"/>	-\$409	-518	-602	-626	-671
68W	recograin walnut, flat cut, matte sheen <input type="checkbox"/>	-\$409	-518	-602	-626	-671
69G	recograin wenge <input type="checkbox"/>	-\$409	-518	-602	-626	-671
69K	recograin oak, quarter cut, matte sheen <input type="checkbox"/>	-\$409	-518	-602	-626	-671
69W	recograin walnut, quarter cut, matte sheen <input type="checkbox"/>	-\$409	-518	-602	-626	-671

		-CFCFCFCF	-CHCHCHCH
66G	recograin wenge <input type="checkbox"/>		-\$654
68W	recograin walnut, flat cut, matte sheen <input type="checkbox"/>		-\$654
69G	recograin wenge <input type="checkbox"/>		-\$654
69K	recograin oak, quarter cut, matte sheen <input type="checkbox"/>		-\$654
69W	recograin walnut, quarter cut, matte sheen <input type="checkbox"/>		-\$654

### Recon Veneer -

For open shelf (C1), two doors (C2), two 15" file drawers (CF) AND one file drawer (CH)

		-C1C1C1C1	-C1C1C2C2	-C1C1C6C2	-C1C6CFC2	-C2C2C2C2
96G	wenge recograin, quarter cut, low sheen <input type="checkbox"/>	-\$409	-518	-602	-626	-671
98W	recograin walnut, flat cut, low sheen <input type="checkbox"/>	-\$409	-518	-602	-626	-671
99G	recograin wenge, quarter cut, low sheen <input type="checkbox"/>	-\$409	-518	-602	-626	-671
99K	recograin oak, quarter cut, low sheen <input type="checkbox"/>	-\$409	-518	-602	-626	-671
99W	recograin walnut, quarter cut, low sheen <input type="checkbox"/>	-\$409	-518	-602	-626	-671

		-CFCFCFCF	-CHCHCHCH
96G	wenge recograin, quarter cut, low sheen <input type="checkbox"/>		-\$654
98W	recograin walnut, flat cut, low sheen <input type="checkbox"/>		-\$654
99G	recograin wenge, quarter cut, low sheen <input type="checkbox"/>		-\$654
99K	recograin oak, quarter cut, low sheen <input type="checkbox"/>		-\$654
99W	recograin walnut, quarter cut, low sheen <input type="checkbox"/>		-\$654

# H-Frame Credenza Four Units

## Wide *continued*

### Premium Veneer - Low Sheen

*For open shelf (-C1) or one file drawer (-CH) with one file drawer (CH), or six box drawers (top two pencil trays) (CG) with two 15" file drawers (CF), or one file drawer (CH) with two doors (C2)*

<b>921</b>	champagne beech, flat cut, low sheen <span style="border: 1px solid black; padding: 0 2px;">A</span>	+\$0
<b>931</b>	champagne anigre (natural) <span style="border: 1px solid black; padding: 0 2px;">A</span>	+\$2453
<b>932</b>	sundance anigre <span style="border: 1px solid black; padding: 0 2px;">A</span>	+\$2453
<b>933</b>	caramel anigre <span style="border: 1px solid black; padding: 0 2px;">A</span>	+\$2453
<b>941</b>	natural beech <span style="border: 1px solid black; padding: 0 2px;">A</span>	+\$0
<b>942</b>	sundance cherry (natural) <span style="border: 1px solid black; padding: 0 2px;">A</span>	+\$0
<b>943</b>	caramel cherry <span style="border: 1px solid black; padding: 0 2px;">A</span>	+\$0
<b>946</b>	cocoa cherry <span style="border: 1px solid black; padding: 0 2px;">A</span>	+\$0
<b>951</b>	natural anigre <span style="border: 1px solid black; padding: 0 2px;">A</span>	+\$5334
<b>956</b>	cocoa sapele <span style="border: 1px solid black; padding: 0 2px;">A</span>	+\$0
<b>962</b>	toasted walnut, low sheen <span style="border: 1px solid black; padding: 0 2px;">A</span>	+\$0
<b>963</b>	charred walnut, low sheen <span style="border: 1px solid black; padding: 0 2px;">A</span>	+\$0
<b>964</b>	bronzed walnut, low sheen <span style="border: 1px solid black; padding: 0 2px;">A</span>	+\$0
<b>965</b>	smoked walnut, low sheen <span style="border: 1px solid black; padding: 0 2px;">A</span>	+\$0
<b>966</b>	coffee walnut, low sheen <span style="border: 1px solid black; padding: 0 2px;">A</span>	+\$0
<b>967</b>	smoked paldao, low sheen <span style="border: 1px solid black; padding: 0 2px;">A</span>	+\$2001
<b>969</b>	warm paldao, low sheen <span style="border: 1px solid black; padding: 0 2px;">A</span>	+\$2001
<b>977</b>	chocolate ash, low sheen <span style="border: 1px solid black; padding: 0 2px;">A</span>	+\$0
<b>978</b>	natural oak <span style="border: 1px solid black; padding: 0 2px;">A</span>	+\$0
<b>981</b>	champagne hickory (natural) <span style="border: 1px solid black; padding: 0 2px;">A</span>	+\$0
<b>98R</b>	recograin rosewood <span style="border: 1px solid black; padding: 0 2px;">A</span>	+\$0
<b>991</b>	champagne ash <span style="border: 1px solid black; padding: 0 2px;">A</span>	+\$0
<b>998</b>	ebony ash <span style="border: 1px solid black; padding: 0 2px;">A</span>	+\$0
<b>99A</b>	recograin frosty ash <span style="border: 1px solid black; padding: 0 2px;">A</span>	+\$0
<b>99R</b>	recograin rosewood <span style="border: 1px solid black; padding: 0 2px;">A</span>	+\$0
<b>99T</b>	recograin teak <span style="border: 1px solid black; padding: 0 2px;">A</span>	+\$0
<b>9A1</b>	white ash, quarter cut, low sheen <span style="border: 1px solid black; padding: 0 2px;">A</span>	+\$0
<b>9K1</b>	rift oak, rift cut, low sheen <span style="border: 1px solid black; padding: 0 2px;">A</span>	+\$0
<b>9K6</b>	burnt oak, rift cut, low sheen <span style="border: 1px solid black; padding: 0 2px;">A</span>	+\$0
<b>ED</b>	aged cherry <span style="border: 1px solid black; padding: 0 2px;">A</span>	+\$0
<b>EK</b>	medium red walnut <span style="border: 1px solid black; padding: 0 2px;">A</span>	+\$0
<b>G2U</b>	light brown walnut, low sheen <span style="border: 1px solid black; padding: 0 2px;">A</span>	+\$0
<b>G40</b>	dark brown walnut, low sheen <span style="border: 1px solid black; padding: 0 2px;">A</span>	+\$0
<b>UX</b>	walnut on cherry <span style="border: 1px solid black; padding: 0 2px;">A</span>	+\$0

### Premium Veneer - Matte

*For open shelf (-C1) or one file drawer (-CH) with one file drawer (CH), or six box drawers (top two pencil trays) (CG) with two 15" file drawers (CF), or one file drawer (CH) with two doors (C2)*

<b>662</b>	toasted walnut, matte sheen <span style="border: 1px solid black; padding: 0 2px;">A</span>	+\$0
<b>663</b>	charred walnut, matte sheen <span style="border: 1px solid black; padding: 0 2px;">A</span>	+\$0
<b>664</b>	bronzed walnut, matte sheen <span style="border: 1px solid black; padding: 0 2px;">A</span>	+\$0
<b>665</b>	smoked walnut, matte sheen <span style="border: 1px solid black; padding: 0 2px;">A</span>	+\$0
<b>666</b>	coffee walnut, matte sheen <span style="border: 1px solid black; padding: 0 2px;">A</span>	+\$0
<b>667</b>	smoked paldao, quarter cut, matte sheen <span style="border: 1px solid black; padding: 0 2px;">A</span>	+\$2001
<b>669</b>	warm paldao, quarter cut, matte sheen <span style="border: 1px solid black; padding: 0 2px;">A</span>	+\$2001
<b>66A</b>	recograin frosty ash <span style="border: 1px solid black; padding: 0 2px;">A</span>	+\$0
<b>677</b>	chocolate ash, matte sheen <span style="border: 1px solid black; padding: 0 2px;">A</span>	+\$0
<b>678</b>	natural oak <span style="border: 1px solid black; padding: 0 2px;">A</span>	+\$0
<b>68R</b>	recograin rosewood <span style="border: 1px solid black; padding: 0 2px;">A</span>	+\$0
<b>69A</b>	recograin frosty ash <span style="border: 1px solid black; padding: 0 2px;">A</span>	+\$0
<b>69R</b>	recograin rosewood <span style="border: 1px solid black; padding: 0 2px;">A</span>	+\$0
<b>69T</b>	recograin teak <span style="border: 1px solid black; padding: 0 2px;">A</span>	+\$0
<b>6A1</b>	white ash <span style="border: 1px solid black; padding: 0 2px;">A</span>	+\$0
<b>6K1</b>	rift oak <span style="border: 1px solid black; padding: 0 2px;">A</span>	+\$0
<b>6K6</b>	burnt oak <span style="border: 1px solid black; padding: 0 2px;">A</span>	+\$0
<b>ET</b>	clear on ash <span style="border: 1px solid black; padding: 0 2px;">A</span>	+\$0
<b>EU</b>	oak on ash <span style="border: 1px solid black; padding: 0 2px;">A</span>	+\$0
<b>EV</b>	walnut on ash <span style="border: 1px solid black; padding: 0 2px;">A</span>	+\$0
<b>GOU</b>	natural walnut, flat cut, matte sheen <span style="border: 1px solid black; padding: 0 2px;">A</span>	+\$0

### RecoGrain Veneer

*For open shelf (-C1) or one file drawer (-CH) with one file drawer (CH), or six box drawers (top two pencil trays) (CG) with two 15" file drawers (CF), or one file drawer (CH) with two doors (C2)*

<b>66G</b>	recograin wenge <span style="border: 1px solid black; padding: 0 2px;">A</span>	-\$667
<b>68W</b>	recograin walnut, flat cut, matte sheen <span style="border: 1px solid black; padding: 0 2px;">A</span>	-\$667
<b>69G</b>	recograin wenge <span style="border: 1px solid black; padding: 0 2px;">A</span>	-\$667
<b>69K</b>	recograin oak, quarter cut, matte sheen <span style="border: 1px solid black; padding: 0 2px;">A</span>	-\$667
<b>69W</b>	recograin walnut, quarter cut, matte sheen <span style="border: 1px solid black; padding: 0 2px;">A</span>	-\$667

### Recon Veneer -

*For open shelf (-C1) or one file drawer (-CH) with one file drawer (CH), or six box drawers (top two pencil trays) (CG) with two 15" file drawers (CF), or one file drawer (CH) with two doors (C2)*

<b>96G</b>	wenge recograin, quarter cut, low sheen <span style="border: 1px solid black; padding: 0 2px;">A</span>	-\$667
<b>98W</b>	recograin walnut, flat cut, low sheen <span style="border: 1px solid black; padding: 0 2px;">A</span>	-\$667
<b>99G</b>	recograin wenge, quarter cut, low sheen <span style="border: 1px solid black; padding: 0 2px;">A</span>	-\$667
<b>99K</b>	recograin oak, quarter cut, low sheen <span style="border: 1px solid black; padding: 0 2px;">A</span>	-\$667
<b>99W</b>	recograin walnut, quarter cut, low sheen <span style="border: 1px solid black; padding: 0 2px;">A</span>	-\$667

# H-Frame Credenza Four Units

## Wide *continued*

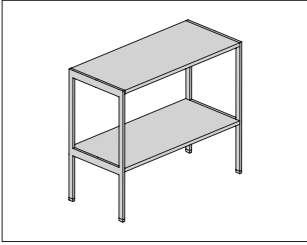
---

### Step 8. Metal Finish

<b>BNZ</b>	bronze <input type="checkbox"/>	+\$0
<b>CHR</b>	chrome <input type="checkbox"/>	+\$0
<b>SAC</b>	satin chrome <input type="checkbox"/>	+\$0

## H-Frame Credenza Stone Top

JCH1S  
JCH2S  
JCH3S  
JCH4S



### Product Information

#### Description

This one-unit wide H-frame credenza has a stone top and includes 1/2"-thick metal frame gables on the ends. H-frame credenzas are modular and shipped partially assembled.

#### Notes

All hardware for assembly is included.

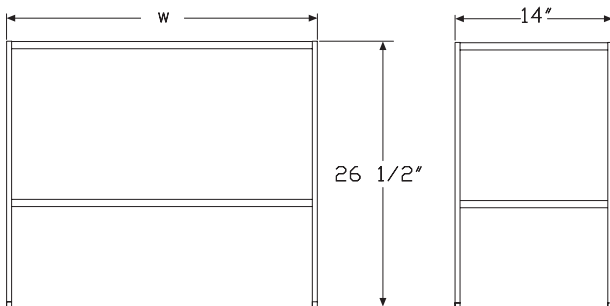
Drawer credenzas include wood boxes and self-closing hidden drawer slides.

CG six box drawer credenza includes pencil trays and felt lining in bottom of top two drawers.

When applicable, Ward Bennett Flip pulls come in matching metal finish.

Santos palisander veneer is celebrated for its unique grain and color variations. Similar products ordered in multiples or dissimilar products ordered separately should be expected to have variation in both grain and color characteristics; no two products will look exactly alike.

### Dimensions



### Specification Information

#### Step 1.

JCH  A

#### Step 2. Size and Configuration

**1S-1431-C1** 14" deep x 31" wide x 26 1/2" high, 1 unit, open  A

**2S-1462-C1C1** 14" deep x 61 1/2" wide x 26 1/2" high, 2 units, open  A

**3S-1492-C1C1C1** 14" deep x 92" wide x 26 1/2" high, 3 units, open  A

**4S-14123-C1C1C1C1** 14" deep x 122 1/2" wide x 26 1/2" high, 4 units, open  A

#### Prices for Steps 1-2.

<b>JCH1S-1431-C1</b>	\$3465
<b>JCH2S-1462-C1C1</b>	\$6315
<b>JCH3S-1492-C1C1C1</b>	\$8852
<b>JCH4S-14123-C1C1C1C1</b>	\$11607

#### Step 3. Stone or Marble Top

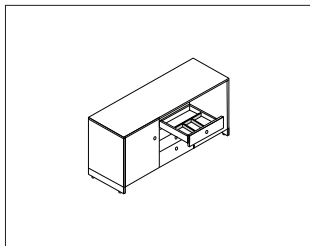
<b>200</b>	perfato marble <input type="checkbox"/> A	+\$0
<b>250</b>	verde antique marble <input type="checkbox"/> A	+\$0
<b>400</b>	black granite <input type="checkbox"/> A	+\$0
<b>5U</b>	georgia grey marble <input type="checkbox"/> A	+\$0
<b>800</b>	autumn brown granite <input type="checkbox"/> A	+\$0
<b>960</b>	white carrara marble <input type="checkbox"/> A	+\$0
<b>HR</b>	wisconsin black marble <input type="checkbox"/> A	+\$0

#### Step 4. Metal Finish

<b>BNZ</b>	bronze <input type="checkbox"/> A	+\$0
<b>CHR</b>	chrome <input type="checkbox"/> A	+\$0
<b>SAC</b>	satin chrome <input type="checkbox"/> A	+\$0

# Silverware Drawer Insert

JA

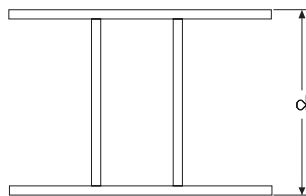
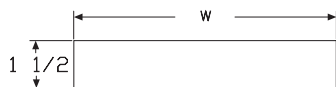


### Product Information

#### Description

This drawer insert is for use with H-frame, sled, and mobile credenzas, in top box drawers. The bottom of top box drawer and silverware insert are covered with fabric.

#### Dimensions



### Specification Information

#### Step 1.

JA  A \$344

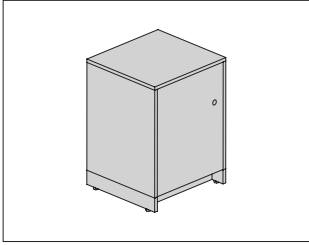
#### Step 2. Configuration

H1-712 for use with H-frame credenza  A +\$0

S1-1015 for use with sled base or mobile credenza  A +\$0

# Sled Base Pedestal

JCS1-



HermanMiller Collection—Storage

## Product Information

### Description

This one-unit wide sled base credenza has a wood top and includes 3"-high metal base on the 3/4"-thick credenza gable. Storage unit is 18"-wide. Ward Bennett Flip pulls come in matching metal finish.

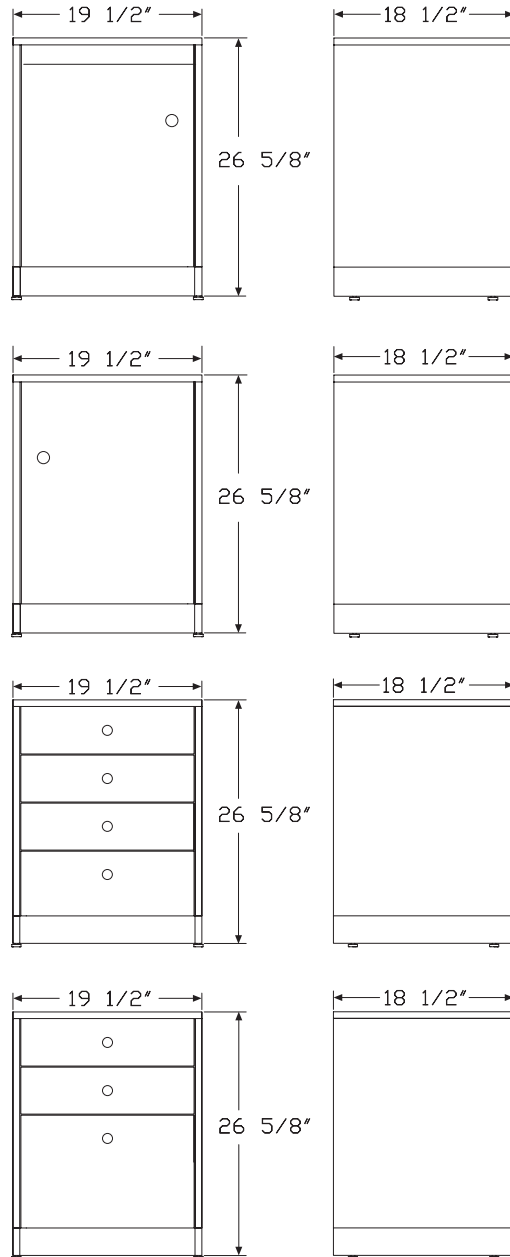
### Notes

Sled base credenzas ship assembled.

Drawer credenzas include wood boxes and self-closing hidden drawer slides. Pencil tray and felt lining in bottom of drawer also included.

Santos palisander veneer is celebrated for its unique grain and color variations. Similar products ordered in multiples or dissimilar products ordered separately should be expected to have variation in both grain and color characteristics; no two products will look exactly alike.

## Dimensions



Sled Base Pedestal *continued*

**Specification Information**

Step 1.

**JCS1**

Step 2. Size

**-1920** 18<sup>1</sup>/<sub>2</sub>" deep x 19<sup>1</sup>/<sub>2</sub>" wide x 26<sup>5</sup>/<sub>8</sub>" high

Step 3. Configuration

**-B2L** single door, hinged left

**-B2R** single door, hinged right

**-B3** four box drawer

**-B4** box, box, file

Prices for Steps 1-3.

<b>JCS1-1920</b>	<b>-B2L</b>	\$3355
	<b>-B2R</b>	\$3355
	<b>-B3</b>	\$4401
	<b>-B4</b>	\$4000

Step 4. Wood Finish

Premium Veneer - Low Sheen

		<b>-B2L</b>	<b>-B2R</b>	<b>-B3</b>	<b>-B4</b>
<b>931</b>	champagne anigre (natural) <input type="checkbox"/>	+\$596	596	782	711
<b>932</b>	sundance anigre <input type="checkbox"/>	+\$596	596	782	711
<b>933</b>	caramel anigre <input type="checkbox"/>	+\$596	596	782	711
<b>934</b>	henna anigre <input type="checkbox"/>	+\$596	596	782	711
<b>941</b>	natural beech <input type="checkbox"/>	+\$0	0	0	0
<b>942</b>	sundance cherry (natural) <input type="checkbox"/>	+\$0	0	0	0
<b>943</b>	caramel cherry <input type="checkbox"/>	+\$0	0	0	0
<b>946</b>	cocoa cherry <input type="checkbox"/>	+\$0	0	0	0
<b>951</b>	natural anigre <input type="checkbox"/>	+\$1303	1303	1709	1554
<b>956</b>	cocoa sapele <input type="checkbox"/>	+\$0	0	0	0
<b>962</b>	toasted walnut, low sheen <input type="checkbox"/>	+\$0	0	0	0
<b>963</b>	charred walnut, low sheen <input type="checkbox"/>	+\$0	0	0	0
<b>964</b>	bronzed walnut, low sheen <input type="checkbox"/>	+\$0	0	0	0
<b>965</b>	smoked walnut, low sheen <input type="checkbox"/>	+\$0	0	0	0
<b>966</b>	coffee walnut, low sheen <input type="checkbox"/>	+\$0	0	0	0
<b>967</b>	smoked paldao, low sheen <input type="checkbox"/>	+\$489	489	641	583
<b>969</b>	warm paldao, low sheen <input type="checkbox"/>	+\$489	489	641	583

<b>977</b>	chocolate ash, low sheen <input type="checkbox"/>	+\$0	0	0	0
<b>978</b>	natural oak <input type="checkbox"/>	+\$0	0	0	0
<b>981</b>	champagne hickory (natural) <input type="checkbox"/>	+\$0	0	0	0
<b>98R</b>	recograin rosewood <input type="checkbox"/>	+\$0	0	0	0
<b>991</b>	champagne ash <input type="checkbox"/>	+\$0	0	0	0
<b>998</b>	ebony ash <input type="checkbox"/>	+\$0	0	0	0
<b>99A</b>	recograin frosty ash <input type="checkbox"/>	+\$0	0	0	0
<b>99R</b>	recograin rosewood <input type="checkbox"/>	+\$0	0	0	0
<b>99T</b>	recograin teak <input type="checkbox"/>	+\$0	0	0	0
<b>9A1</b>	white ash, quarter cut, low sheen <input type="checkbox"/>	+\$0	0	0	0
<b>9K1</b>	rift oak, rift cut, low sheen <input type="checkbox"/>	+\$0	0	0	0
<b>9K6</b>	burnt oak, rift cut, low sheen <input type="checkbox"/>	+\$0	0	0	0
<b>ED</b>	aged cherry <input type="checkbox"/>	+\$0	0	0	0
<b>EK</b>	medium red walnut <input type="checkbox"/>	+\$0	0	0	0
<b>G2U</b>	light brown walnut, low sheen <input type="checkbox"/>	+\$0	0	0	0
<b>G40</b>	dark brown walnut, low sheen <input type="checkbox"/>	+\$0	0	0	0
<b>UX</b>	walnut on cherry <input type="checkbox"/>	+\$0	0	0	0

Sled Base Pedestal *continued*

Premium Veneer - Matte		-B2L	-B2R	-B3	-B4
<b>662</b>	toasted walnut, matte sheen <span style="border: 1px solid black; padding: 0 2px;">A</span>	+\$0	0	0	0
<b>663</b>	charred walnut, matte sheen <span style="border: 1px solid black; padding: 0 2px;">A</span>	+\$0	0	0	0
<b>664</b>	bronzed walnut, matte sheen <span style="border: 1px solid black; padding: 0 2px;">A</span>	+\$0	0	0	0
<b>665</b>	smoked walnut, matte sheen <span style="border: 1px solid black; padding: 0 2px;">A</span>	+\$0	0	0	0
<b>666</b>	coffee walnut, matte sheen <span style="border: 1px solid black; padding: 0 2px;">A</span>	+\$0	0	0	0
<b>667</b>	smoked paldao, quarter cut, matte sheen <span style="border: 1px solid black; padding: 0 2px;">A</span>	+\$489	489	641	583
<b>669</b>	warm paldao, quarter cut, matte sheen <span style="border: 1px solid black; padding: 0 2px;">A</span>	+\$489	489	641	583
<b>66A</b>	recograin frosty ash <span style="border: 1px solid black; padding: 0 2px;">A</span>	+\$0	0	0	0
<b>677</b>	chocolate ash, matte sheen <span style="border: 1px solid black; padding: 0 2px;">A</span>	+\$0	0	0	0
<b>678</b>	natural oak <span style="border: 1px solid black; padding: 0 2px;">A</span>	+\$0	0	0	0
<b>68R</b>	recograin rosewood <span style="border: 1px solid black; padding: 0 2px;">A</span>	+\$0	0	0	0
<b>69A</b>	recograin frosty ash <span style="border: 1px solid black; padding: 0 2px;">A</span>	+\$0	0	0	0
<b>69R</b>	recograin rosewood <span style="border: 1px solid black; padding: 0 2px;">A</span>	+\$0	0	0	0
<b>69T</b>	recograin teak <span style="border: 1px solid black; padding: 0 2px;">A</span>	+\$0	0	0	0
<b>6A1</b>	white ash <span style="border: 1px solid black; padding: 0 2px;">A</span>	+\$0	0	0	0
<b>6K1</b>	rift oak <span style="border: 1px solid black; padding: 0 2px;">A</span>	+\$0	0	0	0
<b>6K6</b>	burnt oak <span style="border: 1px solid black; padding: 0 2px;">A</span>	+\$0	0	0	0
<b>ET</b>	clear on ash <span style="border: 1px solid black; padding: 0 2px;">A</span>	+\$0	0	0	0
<b>EU</b>	oak on ash <span style="border: 1px solid black; padding: 0 2px;">A</span>	+\$0	0	0	0
<b>EV</b>	walnut on ash <span style="border: 1px solid black; padding: 0 2px;">A</span>	+\$0	0	0	0
<b>GOU</b>	natural walnut, flat cut, matte sheen <span style="border: 1px solid black; padding: 0 2px;">A</span>	+\$0	0	0	0

RecoGrain Veneer		-B2L	-B2R	-B3	-B4
<b>66G</b>	recograin wenge <span style="border: 1px solid black; padding: 0 2px;">A</span>	-\$163	-163	-214	-195
<b>68W</b>	recograin walnut, flat cut, matte sheen <span style="border: 1px solid black; padding: 0 2px;">A</span>	-\$163	-163	-214	-195
<b>69G</b>	recograin wenge <span style="border: 1px solid black; padding: 0 2px;">A</span>	-\$163	-163	-214	-195
<b>69K</b>	recograin oak, quarter cut, matte sheen <span style="border: 1px solid black; padding: 0 2px;">A</span>	-\$163	-163	-214	-195
<b>69W</b>	recograin walnut, quarter cut, matte sheen <span style="border: 1px solid black; padding: 0 2px;">A</span>	-\$163	-163	-214	-195

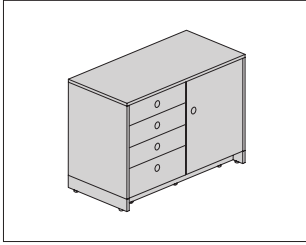
Recon Veneer -		-B2L	-B2R	-B3	-B4
<b>96G</b>	wenge recograin, quarter cut, low sheen <span style="border: 1px solid black; padding: 0 2px;">A</span>	-\$163	-163	-214	-195
<b>98W</b>	recograin walnut, flat cut, low sheen <span style="border: 1px solid black; padding: 0 2px;">A</span>	-\$163	-163	-214	-195
<b>99G</b>	recograin wenge, quarter cut, low sheen <span style="border: 1px solid black; padding: 0 2px;">A</span>	-\$163	-163	-214	-195
<b>99K</b>	recograin oak, quarter cut, low sheen <span style="border: 1px solid black; padding: 0 2px;">A</span>	-\$163	-163	-214	-195
<b>99W</b>	recograin walnut, quarter cut, low sheen <span style="border: 1px solid black; padding: 0 2px;">A</span>	-\$163	-163	-214	-195

Step 5. Metal Finish			
<b>BNZ</b>	bronze <span style="border: 1px solid black; padding: 0 2px;">A</span>		+\$0
<b>CHR</b>	chrome <span style="border: 1px solid black; padding: 0 2px;">A</span>		+\$0
<b>SAC</b>	satin chrome <span style="border: 1px solid black; padding: 0 2px;">A</span>		+\$0



# Sled Base Credenza Two Units Wide

JCS2-Wide



## Product Information

### Description

This two-unit wide sled base credenza has a wood top and includes 3"-high metal base on the 3/4"-thick credenza gable. Storage unit is 18"-wide. Ward Bennett Flip pulls come in matching metal finish.

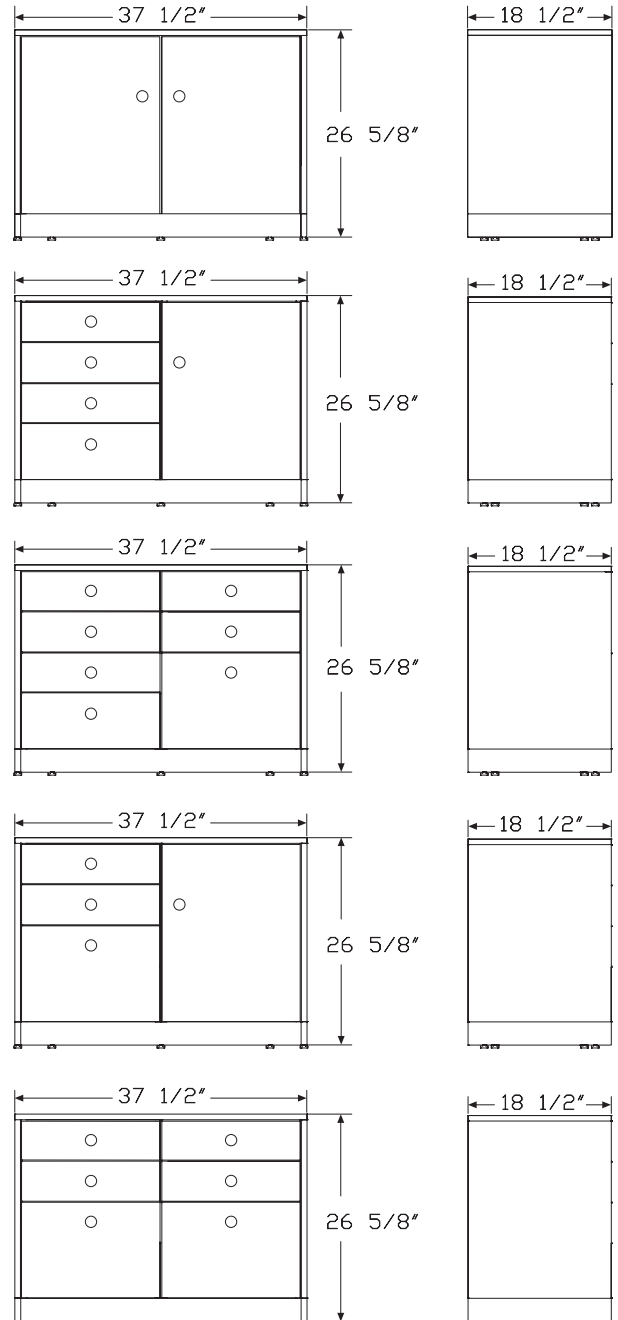
### Notes

Sled base credenzas ship assembled.

Drawer credenzas include wood boxes and self-closing hidden drawer slides. Pencil tray and felt lining in bottom of drawer also included.

Santos palisander veneer is celebrated for its unique grain and color variations. Similar products ordered in multiples or dissimilar products ordered separately should be expected to have variation in both grain and color characteristics; no two products will look exactly alike.

## Dimensions



# Sled Base Credenza Two Units

## Wide *continued*

### Specification Information

Step 1.

**JCS2** A

Step 2. Size

**-1938** 18<sup>1</sup>/<sub>2</sub>" deep x 37<sup>1</sup>/<sub>2</sub>" wide x 26<sup>5</sup>/<sub>8</sub>" high A

Step 3. Configuration

- B2B2** two doors A
- B3B2** four drawers left, single door right A
- B3B4** four drawers left, BBF right A
- B4B2** BBF left, single door right A
- B4B4** BBF left, BBF right A

Prices for Steps 1-3.

<b>JCS2-1938</b>	<b>-B2B2</b>	\$5460
	<b>-B3B2</b>	\$6424
	<b>-B3B4</b>	\$7070
	<b>-B4B2</b>	\$6025
	<b>-B4B4</b>	\$6670

Step 4. Wood Finish

Premium Veneer - Low Sheen

		<b>-B2B2</b>	<b>-B3B2</b>	<b>-B3B4</b>	<b>-B4B2</b>	<b>-B4B4</b>
<b>931</b>	champagne anigre (natural) <span style="border: 1px solid black; padding: 0 2px;">A</span>	+\$956	1142	1256	1071	1185
<b>932</b>	sundance anigre <span style="border: 1px solid black; padding: 0 2px;">A</span>	+\$956	1142	1256	1071	1185
<b>933</b>	caramel anigre <span style="border: 1px solid black; padding: 0 2px;">A</span>	+\$956	1142	1256	1071	1185
<b>934</b>	henna anigre <span style="border: 1px solid black; padding: 0 2px;">A</span>	+\$956	1142	1256	1071	1185
<b>941</b>	natural beech <span style="border: 1px solid black; padding: 0 2px;">A</span>	+\$0	0	0	0	0
<b>942</b>	sundance cherry (natural) <span style="border: 1px solid black; padding: 0 2px;">A</span>	+\$0	0	0	0	0
<b>943</b>	caramel cherry <span style="border: 1px solid black; padding: 0 2px;">A</span>	+\$0	0	0	0	0
<b>946</b>	cocoa cherry <span style="border: 1px solid black; padding: 0 2px;">A</span>	+\$0	0	0	0	0
<b>951</b>	natural anigre <span style="border: 1px solid black; padding: 0 2px;">A</span>	+\$2089	2495	2746	2340	2590
<b>956</b>	cocoa sapele <span style="border: 1px solid black; padding: 0 2px;">A</span>	+\$0	0	0	0	0
<b>962</b>	toasted walnut, low sheen <span style="border: 1px solid black; padding: 0 2px;">A</span>	+\$0	0	0	0	0
<b>963</b>	charred walnut, low sheen <span style="border: 1px solid black; padding: 0 2px;">A</span>	+\$0	0	0	0	0
<b>964</b>	bronzed walnut, low sheen <span style="border: 1px solid black; padding: 0 2px;">A</span>	+\$0	0	0	0	0
<b>965</b>	smoked walnut, low sheen <span style="border: 1px solid black; padding: 0 2px;">A</span>	+\$0	0	0	0	0

<b>966</b>	coffee walnut, low sheen <span style="border: 1px solid black; padding: 0 2px;">A</span>	+\$0	0	0	0	0
<b>967</b>	smoked paldao, low sheen <span style="border: 1px solid black; padding: 0 2px;">A</span>	+\$784	936	1030	878	972
<b>969</b>	warm paldao, low sheen <span style="border: 1px solid black; padding: 0 2px;">A</span>	+\$784	936	1030	878	972
<b>977</b>	chocolate ash, low sheen <span style="border: 1px solid black; padding: 0 2px;">A</span>	+\$0	0	0	0	0
<b>978</b>	natural oak <span style="border: 1px solid black; padding: 0 2px;">A</span>	+\$0	0	0	0	0
<b>981</b>	champagne hickory (natural) <span style="border: 1px solid black; padding: 0 2px;">A</span>	+\$0	0	0	0	0
<b>98R</b>	recograin rosewood <span style="border: 1px solid black; padding: 0 2px;">A</span>	+\$0	0	0	0	0
<b>991</b>	champagne ash <span style="border: 1px solid black; padding: 0 2px;">A</span>	+\$0	0	0	0	0
<b>998</b>	ebony ash <span style="border: 1px solid black; padding: 0 2px;">A</span>	+\$0	0	0	0	0
<b>99A</b>	recograin frosty ash <span style="border: 1px solid black; padding: 0 2px;">A</span>	+\$0	0	0	0	0
<b>99R</b>	recograin rosewood <span style="border: 1px solid black; padding: 0 2px;">A</span>	+\$0	0	0	0	0
<b>99T</b>	recograin teak <span style="border: 1px solid black; padding: 0 2px;">A</span>	+\$0	0	0	0	0
<b>9A1</b>	white ash, quarter cut, low sheen <span style="border: 1px solid black; padding: 0 2px;">A</span>	+\$0	0	0	0	0
<b>9K1</b>	rift oak, rift cut, low sheen <span style="border: 1px solid black; padding: 0 2px;">A</span>	+\$0	0	0	0	0
<b>9K6</b>	burnt oak, rift cut, low sheen <span style="border: 1px solid black; padding: 0 2px;">A</span>	+\$0	0	0	0	0
<b>ED</b>	aged cherry <span style="border: 1px solid black; padding: 0 2px;">A</span>	+\$0	0	0	0	0
<b>EK</b>	medium red walnut <span style="border: 1px solid black; padding: 0 2px;">A</span>	+\$0	0	0	0	0
<b>G2U</b>	light brown walnut, low sheen <span style="border: 1px solid black; padding: 0 2px;">A</span>	+\$0	0	0	0	0
<b>G40</b>	dark brown walnut, low sheen <span style="border: 1px solid black; padding: 0 2px;">A</span>	+\$0	0	0	0	0
<b>UX</b>	walnut on cherry <span style="border: 1px solid black; padding: 0 2px;">A</span>	+\$0	0	0	0	0

# Sled Base Credenza Two Units

## Wide *continued*

### Premium Veneer - Matte

		-B2B2	-B3B2	-B3B4	-B4B2	-B4B4
<b>662</b>	toasted walnut, matte sheen <b>A</b>	+\$0	0	0	0	0
<b>663</b>	charred walnut, matte sheen <b>A</b>	+\$0	0	0	0	0
<b>664</b>	bronzed walnut, matte sheen <b>A</b>	+\$0	0	0	0	0
<b>665</b>	smoked walnut, matte sheen <b>A</b>	+\$0	0	0	0	0
<b>666</b>	coffee walnut, matte sheen <b>A</b>	+\$0	0	0	0	0
<b>667</b>	smoked paldao, quarter cut, matte sheen <b>A</b>	+\$784	936	1030	878	972
<b>669</b>	warm paldao, quarter cut, matte sheen <b>A</b>	+\$784	936	1030	878	972
<b>66A</b>	recograin frosty ash <b>A</b>	+\$0	0	0	0	0
<b>677</b>	chocolate ash, matte sheen <b>A</b>	+\$0	0	0	0	0
<b>678</b>	natural oak <b>A</b>	+\$0	0	0	0	0
<b>68R</b>	recograin rosewood <b>A</b>	+\$0	0	0	0	0
<b>69A</b>	recograin frosty ash <b>A</b>	+\$0	0	0	0	0
<b>69R</b>	recograin rosewood <b>A</b>	+\$0	0	0	0	0
<b>69T</b>	recograin teak <b>A</b>	+\$0	0	0	0	0
<b>6A1</b>	white ash <b>A</b>	+\$0	0	0	0	0
<b>6K1</b>	rift oak <b>A</b>	+\$0	0	0	0	0
<b>6K6</b>	burnt oak <b>A</b>	+\$0	0	0	0	0
<b>ET</b>	clear on ash <b>A</b>	+\$0	0	0	0	0
<b>EU</b>	oak on ash <b>A</b>	+\$0	0	0	0	0
<b>EV</b>	walnut on ash <b>A</b>	+\$0	0	0	0	0
<b>GOU</b>	natural walnut, flat cut, matte sheen <b>A</b>	+\$0	0	0	0	0

### RecoGrain Veneer

		-B2B2	-B3B2	-B3B4	-B4B2	-B4B4
<b>66G</b>	recograin wenge <b>A</b>	-\$262	-312	-344	-293	-324
<b>68W</b>	recograin walnut, flat cut, matte sheen <b>A</b>	-\$262	-312	-344	-293	-324
<b>69G</b>	recograin wenge <b>A</b>	-\$262	-312	-344	-293	-324
<b>69K</b>	recograin oak, quarter cut, matte sheen <b>A</b>	-\$262	-312	-344	-293	-324
<b>69W</b>	recograin walnut, quarter cut, matte sheen <b>A</b>	-\$262	-312	-344	-293	-324

### Recon Veneer -

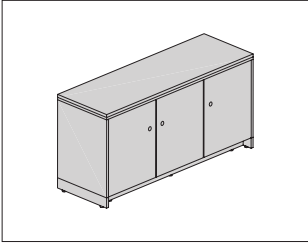
		-B2B2	-B3B2	-B3B4	-B4B2	-B4B4
<b>96G</b>	wenge recograin, quarter cut, low sheen <b>A</b>	-\$262	-312	-344	-293	-324
<b>98W</b>	recograin walnut, flat cut, low sheen <b>A</b>	-\$262	-312	-344	-293	-324
<b>99G</b>	recograin wenge, quarter cut, low sheen <b>A</b>	-\$262	-312	-344	-293	-324
<b>99K</b>	recograin oak, quarter cut, low sheen <b>A</b>	-\$262	-312	-344	-293	-324
<b>99W</b>	recograin walnut, quarter cut, low sheen <b>A</b>	-\$262	-312	-344	-293	-324

### Step 5. Metal Finish

<b>BNZ</b>	bronze <b>A</b>					+\$0
<b>CHR</b>	chrome <b>A</b>					+\$0
<b>SAC</b>	satin chrome <b>A</b>					+\$0

Sled Base Credenza Three Units Wide

JCS3-Wide



HermanMiller Collection—Storage

**Product Information**

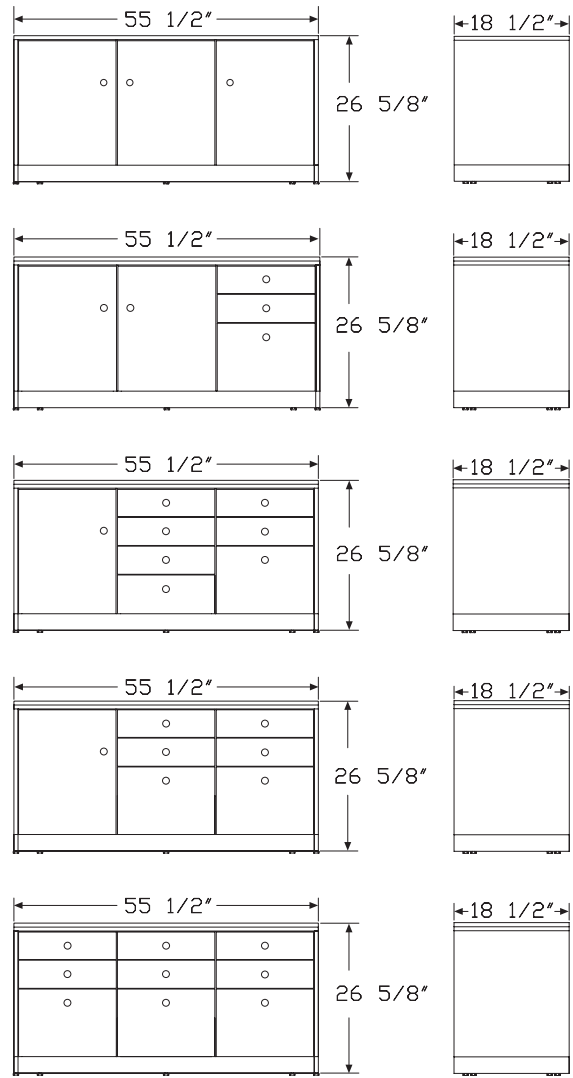
**Description**

This three-unit wide sled base credenza has a wood top and includes 3"-high metal base on the 3/4"-thick credenza gable. Storage unit is 18"-wide. Ward Bennett Flip pulls come in matching metal finish.

**Notes**

Sled base credenzas ship assembled.  
 Drawer credenzas include wood boxes and self-closing hidden drawer slides. Pencil tray and felt lining in bottom of drawer also included.  
 Santos palisander veneer is celebrated for its unique grain and color variations. Similar products ordered in multiples or dissimilar products ordered separately should be expected to have variation in both grain and color characteristics; no two products will look exactly alike.

**Dimensions**



# Sled Base Credenza Three Units

## Wide *continued*

### Specification Information

Step 1.

JCS3

Step 2. Size

-1956 18<sup>1</sup>/<sub>2</sub>" deep x 55<sup>1</sup>/<sub>2</sub>" wide x 26<sup>5</sup>/<sub>8</sub>" high

Step 3. Configuration

-B2B2B2 three single doors

-B2B2B4 single door left, single door center, BBF right

-B2B3B4 single door left, 4 box center, BBF right

-B2B4B4 single door left, BBF center, BBF right

-B4B4B4 BBF left, BBF center, BBF right

Prices for Steps 1-3.

JCS3-1956	-B2B2B2	\$7456
	-B2B2B4	\$8101
	-B2B3B4	\$9146
	-B2B4B4	\$8745
	-B4B4B4	\$9391

Step 4. Wood Finish

Premium Veneer - Low Sheen

		-B2B2B2	-B2B2B4	-B2B3B4	-B2B4B4	-B4B4B4
931	champagne anigre (natural) <input type="checkbox"/>	+\$1325	1440	1626	1554	1669
932	sundance anigre <input type="checkbox"/>	+\$1325	1440	1626	1554	1669
933	caramel anigre <input type="checkbox"/>	+\$1325	1440	1626	1554	1669
934	henna anigre <input type="checkbox"/>	+\$1325	1440	1626	1554	1669
941	natural beech <input type="checkbox"/>	+\$0	0	0	0	0
942	sundance cherry (natural) <input type="checkbox"/>	+\$0	0	0	0	0
943	caramel cherry <input type="checkbox"/>	+\$0	0	0	0	0
946	cocoa cherry <input type="checkbox"/>	+\$0	0	0	0	0
951	natural anigre <input type="checkbox"/>	+\$2896	3147	3552	3397	3647
956	cocoa sapele <input type="checkbox"/>	+\$0	0	0	0	0
962	toasted walnut, low sheen <input type="checkbox"/>	+\$0	0	0	0	0
963	charred walnut, low sheen <input type="checkbox"/>	+\$0	0	0	0	0
964	bronzed walnut, low sheen <input type="checkbox"/>	+\$0	0	0	0	0
965	smoked walnut, low sheen <input type="checkbox"/>	+\$0	0	0	0	0

966	coffee walnut, low sheen <input type="checkbox"/>	+\$0	0	0	0	0
967	smoked paldao, low sheen <input type="checkbox"/>	+\$1086	1180	1332	1274	1368
969	warm paldao, low sheen <input type="checkbox"/>	+\$1086	1180	1332	1274	1368
977	chocolate ash, low sheen <input type="checkbox"/>	+\$0	0	0	0	0
978	natural oak <input type="checkbox"/>	+\$0	0	0	0	0
981	champagne hickory (natural) <input type="checkbox"/>	+\$0	0	0	0	0
98R	recograin rosewood <input type="checkbox"/>	+\$0	0	0	0	0
991	champagne ash <input type="checkbox"/>	+\$0	0	0	0	0
998	ebony ash <input type="checkbox"/>	+\$0	0	0	0	0
99A	recograin frosty ash <input type="checkbox"/>	+\$0	0	0	0	0
99R	recograin rosewood <input type="checkbox"/>	+\$0	0	0	0	0
99T	recograin teak <input type="checkbox"/>	+\$0	0	0	0	0
9A1	white ash, quarter cut, low sheen <input type="checkbox"/>	+\$0	0	0	0	0
9K1	rift oak, rift cut, low sheen <input type="checkbox"/>	+\$0	0	0	0	0
9K6	burnt oak, rift cut, low sheen <input type="checkbox"/>	+\$0	0	0	0	0
ED	aged cherry <input type="checkbox"/>	+\$0	0	0	0	0
EK	medium red walnut <input type="checkbox"/>	+\$0	0	0	0	0
G2U	light brown walnut, low sheen <input type="checkbox"/>	+\$0	0	0	0	0
G40	dark brown walnut, low sheen <input type="checkbox"/>	+\$0	0	0	0	0
UX	walnut on cherry <input type="checkbox"/>	+\$0	0	0	0	0

# Sled Base Credenza Three Units

## Wide *continued*

HermanMiller Collection—Storage

Premium Veneer - Matte		-B2B2B2	-B2B2B4	-B2B3B4	-B2B4B4	-B4B4B4
<b>662</b>	toasted walnut, matte sheen <span style="border: 1px solid black; padding: 0 2px;">A</span>	+\$0	0	0	0	0
<b>663</b>	charred walnut, matte sheen <span style="border: 1px solid black; padding: 0 2px;">A</span>	+\$0	0	0	0	0
<b>664</b>	bronzed walnut, matte sheen <span style="border: 1px solid black; padding: 0 2px;">A</span>	+\$0	0	0	0	0
<b>665</b>	smoked walnut, matte sheen <span style="border: 1px solid black; padding: 0 2px;">A</span>	+\$0	0	0	0	0
<b>666</b>	coffee walnut, matte sheen <span style="border: 1px solid black; padding: 0 2px;">A</span>	+\$0	0	0	0	0
<b>667</b>	smoked paldao, quarter cut, matte sheen <span style="border: 1px solid black; padding: 0 2px;">A</span>	+\$1086	1180	1332	1274	1368
<b>669</b>	warm paldao, quarter cut, matte sheen <span style="border: 1px solid black; padding: 0 2px;">A</span>	+\$1086	1180	1332	1274	1368
<b>66A</b>	recograin frosty ash <span style="border: 1px solid black; padding: 0 2px;">A</span>	+\$0	0	0	0	0
<b>677</b>	chocolate ash, matte sheen <span style="border: 1px solid black; padding: 0 2px;">A</span>	+\$0	0	0	0	0
<b>678</b>	natural oak <span style="border: 1px solid black; padding: 0 2px;">A</span>	+\$0	0	0	0	0
<b>68R</b>	recograin rosewood <span style="border: 1px solid black; padding: 0 2px;">A</span>	+\$0	0	0	0	0
<b>69A</b>	recograin frosty ash <span style="border: 1px solid black; padding: 0 2px;">A</span>	+\$0	0	0	0	0
<b>69R</b>	recograin rosewood <span style="border: 1px solid black; padding: 0 2px;">A</span>	+\$0	0	0	0	0
<b>69T</b>	recograin teak <span style="border: 1px solid black; padding: 0 2px;">A</span>	+\$0	0	0	0	0
<b>6A1</b>	white ash <span style="border: 1px solid black; padding: 0 2px;">A</span>	+\$0	0	0	0	0
<b>6K1</b>	rift oak <span style="border: 1px solid black; padding: 0 2px;">A</span>	+\$0	0	0	0	0
<b>6K6</b>	burnt oak <span style="border: 1px solid black; padding: 0 2px;">A</span>	+\$0	0	0	0	0
<b>ET</b>	clear on ash <span style="border: 1px solid black; padding: 0 2px;">A</span>	+\$0	0	0	0	0
<b>EU</b>	oak on ash <span style="border: 1px solid black; padding: 0 2px;">A</span>	+\$0	0	0	0	0
<b>EV</b>	walnut on ash <span style="border: 1px solid black; padding: 0 2px;">A</span>	+\$0	0	0	0	0
<b>GOU</b>	natural walnut, flat cut, matte sheen <span style="border: 1px solid black; padding: 0 2px;">A</span>	+\$0	0	0	0	0

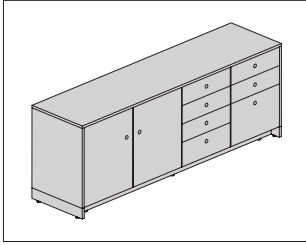
RecoGrain Veneer		-B2B2B2	-B2B2B4	-B2B3B4	-B2B4B4	-B4B4B4
<b>66G</b>	recograin wenge <span style="border: 1px solid black; padding: 0 2px;">A</span>	-\$362	-394	-444	-425	-456
<b>68W</b>	recograin walnut, flat cut, matte sheen <span style="border: 1px solid black; padding: 0 2px;">A</span>	-\$362	-394	-444	-425	-456
<b>69G</b>	recograin wenge <span style="border: 1px solid black; padding: 0 2px;">A</span>	-\$362	-394	-444	-425	-456
<b>69K</b>	recograin oak, quarter cut, matte sheen <span style="border: 1px solid black; padding: 0 2px;">A</span>	-\$362	-394	-444	-425	-456
<b>69W</b>	recograin walnut, quarter cut, matte sheen <span style="border: 1px solid black; padding: 0 2px;">A</span>	-\$362	-394	-444	-425	-456

Recon Veneer -		-B2B2B2	-B2B2B4	-B2B3B4	-B2B4B4	-B4B4B4
<b>96G</b>	wenge recograin, quarter cut, low sheen <span style="border: 1px solid black; padding: 0 2px;">A</span>	-\$362	-394	-444	-425	-456
<b>98W</b>	recograin walnut, flat cut, low sheen <span style="border: 1px solid black; padding: 0 2px;">A</span>	-\$362	-394	-444	-425	-456
<b>99G</b>	recograin wenge, quarter cut, low sheen <span style="border: 1px solid black; padding: 0 2px;">A</span>	-\$362	-394	-444	-425	-456
<b>99K</b>	recograin oak, quarter cut, low sheen <span style="border: 1px solid black; padding: 0 2px;">A</span>	-\$362	-394	-444	-425	-456
<b>99W</b>	recograin walnut, quarter cut, low sheen <span style="border: 1px solid black; padding: 0 2px;">A</span>	-\$362	-394	-444	-425	-456

Step 5. Metal Finish		
<b>BNZ</b>	bronze <span style="border: 1px solid black; padding: 0 2px;">A</span>	+\$0
<b>CHR</b>	chrome <span style="border: 1px solid black; padding: 0 2px;">A</span>	+\$0
<b>SAC</b>	satin chrome <span style="border: 1px solid black; padding: 0 2px;">A</span>	+\$0

# Sled Base Credenza Four Units Wide

JCS4-



## Product Information

### Description

This four-unit wide sled base credenza has a wood top and includes 3"-high metal base on the 3/4"-thick credenza gable. Storage unit is 18"-wide. Ward Bennett Flip pulls come in matching metal finish.

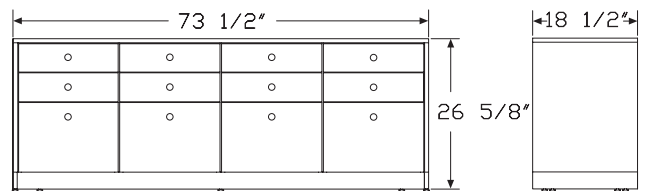
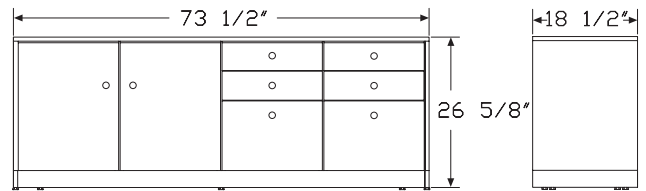
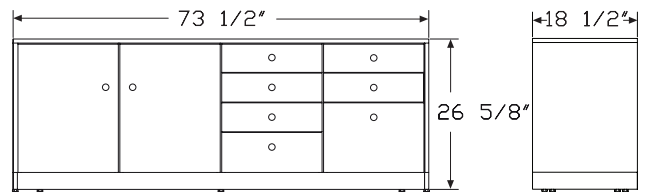
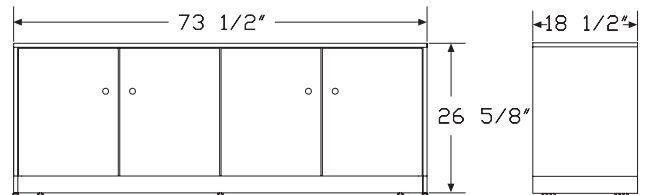
### Notes

Sled base credenzas ship assembled.

Drawer credenzas include wood boxes and self-closing hidden drawer slides. Pencil tray and felt lining in bottom of drawer also included.

Santos palisander veneer is celebrated for its unique grain and color variations. Similar products ordered in multiples or dissimilar products ordered separately should be expected to have variation in both grain and color characteristics; no two products will look exactly alike.

## Dimensions



# Sled Base Credenza Four Units

## Wide *continued*

### Specification Information

#### Step 1.

**JCS4**

#### Step 2. Size

**-1974** 18½" deep x 73½" wide x 26⅝" high

#### Step 3. Configuration

**-B2B2B2B2** four single doors

**-B2B2B3B4** single door left, single door left center, four drawers right center, BBF right

**-B2B2B4B4** single door left, single door left center, BBF right center, BBF right

**-B4B4B4B4** four BBF

#### Prices for Steps 1-3.

<b>JCS4-1974</b>	<b>-B2B2B2B2</b>	\$9520
	<b>-B2B2B3B4</b>	\$11209
	<b>-B2B2B4B4</b>	\$10810
	<b>-B4B4B4B4</b>	\$12100

### Step 4. Wood Finish

#### Premium Veneer - Low Sheen

#### *For four single doors (-B2B2B2B2)*

<b>931</b>	champagne anigre (natural) <input type="checkbox"/>	+\$1692
<b>932</b>	sundance anigre <input type="checkbox"/>	+\$1692
<b>933</b>	caramel anigre <input type="checkbox"/>	+\$1692
<b>934</b>	henna anigre <input type="checkbox"/>	+\$1692
<b>941</b>	natural beech <input type="checkbox"/>	+\$0
<b>942</b>	sundance cherry (natural) <input type="checkbox"/>	+\$0
<b>943</b>	caramel cherry <input type="checkbox"/>	+\$0
<b>946</b>	cocoa cherry <input type="checkbox"/>	+\$0
<b>951</b>	natural anigre <input type="checkbox"/>	+\$3698
<b>956</b>	cocoa sapele <input type="checkbox"/>	+\$0
<b>962</b>	toasted walnut, low sheen <input type="checkbox"/>	+\$0
<b>963</b>	charred walnut, low sheen <input type="checkbox"/>	+\$0
<b>964</b>	bronzed walnut, low sheen <input type="checkbox"/>	+\$0
<b>965</b>	smoked walnut, low sheen <input type="checkbox"/>	+\$0
<b>966</b>	coffee walnut, low sheen <input type="checkbox"/>	+\$0
<b>967</b>	smoked paldao, low sheen <input type="checkbox"/>	+\$1387
<b>969</b>	warm paldao, low sheen <input type="checkbox"/>	+\$1387
<b>977</b>	chocolate ash, low sheen <input type="checkbox"/>	+\$0
<b>978</b>	natural oak <input type="checkbox"/>	+\$0
<b>981</b>	champagne hickory (natural) <input type="checkbox"/>	+\$0
<b>98R</b>	recograin rosewood <input type="checkbox"/>	+\$0
<b>991</b>	champagne ash <input type="checkbox"/>	+\$0
<b>998</b>	ebony ash <input type="checkbox"/>	+\$0
<b>99A</b>	recograin frosty ash <input type="checkbox"/>	+\$0
<b>99R</b>	recograin rosewood <input type="checkbox"/>	+\$0
<b>99T</b>	recograin teak <input type="checkbox"/>	+\$0
<b>9A1</b>	white ash, quarter cut, low sheen <input type="checkbox"/>	+\$0
<b>9K1</b>	rift oak, rift cut, low sheen <input type="checkbox"/>	+\$0
<b>9K6</b>	burnt oak, rift cut, low sheen <input type="checkbox"/>	+\$0
<b>ED</b>	aged cherry <input type="checkbox"/>	+\$0
<b>EK</b>	medium red walnut <input type="checkbox"/>	+\$0
<b>G2U</b>	light brown walnut, low sheen <input type="checkbox"/>	+\$0
<b>G40</b>	dark brown walnut, low sheen <input type="checkbox"/>	+\$0
<b>UX</b>	walnut on cherry <input type="checkbox"/>	+\$0



# Sled Base Credenza Four Units

## Wide *continued*

### Premium Veneer - Matte

*For four single doors (-B2B2B2B2)*

<b>662</b>	toasted walnut, matte sheen <input type="checkbox"/>	+\$0
<b>663</b>	charred walnut, matte sheen <input type="checkbox"/>	+\$0
<b>664</b>	bronzed walnut, matte sheen <input type="checkbox"/>	+\$0
<b>665</b>	smoked walnut, matte sheen <input type="checkbox"/>	+\$0
<b>666</b>	coffee walnut, matte sheen <input type="checkbox"/>	+\$0
<b>667</b>	smoked paldao, quarter cut, matte sheen <input type="checkbox"/>	+\$1387
<b>669</b>	warm paldao, quarter cut, matte sheen <input type="checkbox"/>	+\$1387
<b>66A</b>	recograin frosty ash <input type="checkbox"/>	+\$0
<b>677</b>	chocolate ash, matte sheen <input type="checkbox"/>	+\$0
<b>678</b>	natural oak <input type="checkbox"/>	+\$0
<b>68R</b>	recograin rosewood <input type="checkbox"/>	+\$0
<b>69A</b>	recograin frosty ash <input type="checkbox"/>	+\$0
<b>69R</b>	recograin rosewood <input type="checkbox"/>	+\$0
<b>69T</b>	recograin teak <input type="checkbox"/>	+\$0
<b>6A1</b>	white ash <input type="checkbox"/>	+\$0
<b>6K1</b>	rift oak <input type="checkbox"/>	+\$0
<b>6K6</b>	burnt oak <input type="checkbox"/>	+\$0
<b>ET</b>	clear on ash <input type="checkbox"/>	+\$0
<b>EU</b>	oak on ash <input type="checkbox"/>	+\$0
<b>EV</b>	walnut on ash <input type="checkbox"/>	+\$0
<b>GOU</b>	natural walnut, flat cut, matte sheen <input type="checkbox"/>	+\$0

### RecoGrain Veneer

*For four single doors (-B2B2B2B2)*

<b>66G</b>	recograin wenge <input type="checkbox"/>	-\$463
<b>68W</b>	recograin walnut, flat cut, matte sheen <input type="checkbox"/>	-\$463
<b>69G</b>	recograin wenge <input type="checkbox"/>	-\$463
<b>69K</b>	recograin oak, quarter cut, matte sheen <input type="checkbox"/>	-\$463
<b>69W</b>	recograin walnut, quarter cut, matte sheen <input type="checkbox"/>	-\$463

### Recon Veneer -

*For four single doors (-B2B2B2B2)*

<b>96G</b>	wenge recograin, quarter cut, low sheen <input type="checkbox"/>	-\$463
<b>98W</b>	recograin walnut, flat cut, low sheen <input type="checkbox"/>	-\$463
<b>99G</b>	recograin wenge, quarter cut, low sheen <input type="checkbox"/>	-\$463
<b>99K</b>	recograin oak, quarter cut, low sheen <input type="checkbox"/>	-\$463
<b>99W</b>	recograin walnut, quarter cut, low sheen <input type="checkbox"/>	-\$463

### Premium Veneer - Low Sheen

*For single door left, single door left center, four drawers right center, BBF right (-B2B2B3B4)*

<b>931</b>	champagne anigre (natural) <input type="checkbox"/>	+\$1992
<b>932</b>	sundance anigre <input type="checkbox"/>	+\$1992
<b>933</b>	caramel anigre <input type="checkbox"/>	+\$1992
<b>934</b>	henna anigre <input type="checkbox"/>	+\$1992
<b>941</b>	natural beech <input type="checkbox"/>	+\$0
<b>942</b>	sundance cherry (natural) <input type="checkbox"/>	+\$0
<b>943</b>	caramel cherry <input type="checkbox"/>	+\$0
<b>946</b>	cocoa cherry <input type="checkbox"/>	+\$0
<b>951</b>	natural anigre <input type="checkbox"/>	+\$4354
<b>956</b>	cocoa sapele <input type="checkbox"/>	+\$0
<b>962</b>	toasted walnut, low sheen <input type="checkbox"/>	+\$0
<b>963</b>	charred walnut, low sheen <input type="checkbox"/>	+\$0
<b>964</b>	bronzed walnut, low sheen <input type="checkbox"/>	+\$0
<b>965</b>	smoked walnut, low sheen <input type="checkbox"/>	+\$0
<b>966</b>	coffee walnut, low sheen <input type="checkbox"/>	+\$0
<b>967</b>	smoked paldao, low sheen <input type="checkbox"/>	+\$1633
<b>969</b>	warm paldao, low sheen <input type="checkbox"/>	+\$1633
<b>977</b>	chocolate ash, low sheen <input type="checkbox"/>	+\$0
<b>978</b>	natural oak <input type="checkbox"/>	+\$0
<b>981</b>	champagne hickory (natural) <input type="checkbox"/>	+\$0
<b>98R</b>	recograin rosewood <input type="checkbox"/>	+\$0
<b>991</b>	champagne ash <input type="checkbox"/>	+\$0
<b>998</b>	ebony ash <input type="checkbox"/>	+\$0
<b>99A</b>	recograin frosty ash <input type="checkbox"/>	+\$0
<b>99R</b>	recograin rosewood <input type="checkbox"/>	+\$0
<b>99T</b>	recograin teak <input type="checkbox"/>	+\$0
<b>9A1</b>	white ash, quarter cut, low sheen <input type="checkbox"/>	+\$0
<b>9K1</b>	rift oak, rift cut, low sheen <input type="checkbox"/>	+\$0
<b>9K6</b>	burnt oak, rift cut, low sheen <input type="checkbox"/>	+\$0
<b>ED</b>	aged cherry <input type="checkbox"/>	+\$0
<b>EK</b>	medium red walnut <input type="checkbox"/>	+\$0
<b>G2U</b>	light brown walnut, low sheen <input type="checkbox"/>	+\$0
<b>G40</b>	dark brown walnut, low sheen <input type="checkbox"/>	+\$0
<b>UX</b>	walnut on cherry <input type="checkbox"/>	+\$0

# Sled Base Credenza Four Units

## Wide *continued*

### Premium Veneer - Matte

*For single door left, single door left center, four drawers right center, BBF right (-B2B2B3B4)*

<b>662</b>	toasted walnut, matte sheen <span style="border: 1px solid black; padding: 0 2px;">A</span>	+\$0
<b>663</b>	charred walnut, matte sheen <span style="border: 1px solid black; padding: 0 2px;">A</span>	+\$0
<b>664</b>	bronzed walnut, matte sheen <span style="border: 1px solid black; padding: 0 2px;">A</span>	+\$0
<b>665</b>	smoked walnut, matte sheen <span style="border: 1px solid black; padding: 0 2px;">A</span>	+\$0
<b>666</b>	coffee walnut, matte sheen <span style="border: 1px solid black; padding: 0 2px;">A</span>	+\$0
<b>667</b>	smoked paldao, quarter cut, matte sheen <span style="border: 1px solid black; padding: 0 2px;">A</span>	+\$1633
<b>669</b>	warm paldao, quarter cut, matte sheen <span style="border: 1px solid black; padding: 0 2px;">A</span>	+\$1633
<b>66A</b>	recograin frosty ash <span style="border: 1px solid black; padding: 0 2px;">A</span>	+\$0
<b>677</b>	chocolate ash, matte sheen <span style="border: 1px solid black; padding: 0 2px;">A</span>	+\$0
<b>678</b>	natural oak <span style="border: 1px solid black; padding: 0 2px;">A</span>	+\$0
<b>68R</b>	recograin rosewood <span style="border: 1px solid black; padding: 0 2px;">A</span>	+\$0
<b>69A</b>	recograin frosty ash <span style="border: 1px solid black; padding: 0 2px;">A</span>	+\$0
<b>69R</b>	recograin rosewood <span style="border: 1px solid black; padding: 0 2px;">A</span>	+\$0
<b>69T</b>	recograin teak <span style="border: 1px solid black; padding: 0 2px;">A</span>	+\$0
<b>6A1</b>	white ash <span style="border: 1px solid black; padding: 0 2px;">A</span>	+\$0
<b>6K1</b>	rift oak <span style="border: 1px solid black; padding: 0 2px;">A</span>	+\$0
<b>6K6</b>	burnt oak <span style="border: 1px solid black; padding: 0 2px;">A</span>	+\$0
<b>ET</b>	clear on ash <span style="border: 1px solid black; padding: 0 2px;">A</span>	+\$0
<b>EU</b>	oak on ash <span style="border: 1px solid black; padding: 0 2px;">A</span>	+\$0
<b>EV</b>	walnut on ash <span style="border: 1px solid black; padding: 0 2px;">A</span>	+\$0
<b>GOU</b>	natural walnut, flat cut, matte sheen <span style="border: 1px solid black; padding: 0 2px;">A</span>	+\$0

### RecoGrain Veneer

*For single door left, single door left center, four drawers right center, BBF right (-B2B2B3B4)*

<b>66G</b>	recograin wenge <span style="border: 1px solid black; padding: 0 2px;">A</span>	-\$545
<b>68W</b>	recograin walnut, flat cut, matte sheen <span style="border: 1px solid black; padding: 0 2px;">A</span>	-\$545
<b>69G</b>	recograin wenge <span style="border: 1px solid black; padding: 0 2px;">A</span>	-\$545
<b>69K</b>	recograin oak, quarter cut, matte sheen <span style="border: 1px solid black; padding: 0 2px;">A</span>	-\$545
<b>69W</b>	recograin walnut, quarter cut, matte sheen <span style="border: 1px solid black; padding: 0 2px;">A</span>	-\$545

### Recon Veneer -

*For single door left, single door left center, four drawers right center, BBF right (-B2B2B3B4)*

<b>96G</b>	wenge recograin, quarter cut, low sheen <span style="border: 1px solid black; padding: 0 2px;">A</span>	-\$545
<b>98W</b>	recograin walnut, flat cut, low sheen <span style="border: 1px solid black; padding: 0 2px;">A</span>	-\$545
<b>99G</b>	recograin wenge, quarter cut, low sheen <span style="border: 1px solid black; padding: 0 2px;">A</span>	-\$545
<b>99K</b>	recograin oak, quarter cut, low sheen <span style="border: 1px solid black; padding: 0 2px;">A</span>	-\$545
<b>99W</b>	recograin walnut, quarter cut, low sheen <span style="border: 1px solid black; padding: 0 2px;">A</span>	-\$545

### Premium Veneer - Low Sheen

*For single door left, single door left center, BBF right center, BBF right (-B2B2B4B4)*

<b>931</b>	champagne anigre (natural) <span style="border: 1px solid black; padding: 0 2px;">A</span>	+\$1921
<b>932</b>	sundance anigre <span style="border: 1px solid black; padding: 0 2px;">A</span>	+\$1921
<b>933</b>	caramel anigre <span style="border: 1px solid black; padding: 0 2px;">A</span>	+\$1921
<b>934</b>	henna anigre <span style="border: 1px solid black; padding: 0 2px;">A</span>	+\$1921
<b>941</b>	natural beech <span style="border: 1px solid black; padding: 0 2px;">A</span>	+\$0
<b>942</b>	sundance cherry (natural) <span style="border: 1px solid black; padding: 0 2px;">A</span>	+\$0
<b>943</b>	caramel cherry <span style="border: 1px solid black; padding: 0 2px;">A</span>	+\$0
<b>946</b>	cocoa cherry <span style="border: 1px solid black; padding: 0 2px;">A</span>	+\$0
<b>951</b>	natural anigre <span style="border: 1px solid black; padding: 0 2px;">A</span>	+\$4198
<b>956</b>	cocoa sapele <span style="border: 1px solid black; padding: 0 2px;">A</span>	+\$0
<b>962</b>	toasted walnut, low sheen <span style="border: 1px solid black; padding: 0 2px;">A</span>	+\$0
<b>963</b>	charred walnut, low sheen <span style="border: 1px solid black; padding: 0 2px;">A</span>	+\$0
<b>964</b>	bronzed walnut, low sheen <span style="border: 1px solid black; padding: 0 2px;">A</span>	+\$0
<b>965</b>	smoked walnut, low sheen <span style="border: 1px solid black; padding: 0 2px;">A</span>	+\$0
<b>966</b>	coffee walnut, low sheen <span style="border: 1px solid black; padding: 0 2px;">A</span>	+\$0
<b>967</b>	smoked paldao, low sheen <span style="border: 1px solid black; padding: 0 2px;">A</span>	+\$1575
<b>969</b>	warm paldao, low sheen <span style="border: 1px solid black; padding: 0 2px;">A</span>	+\$1575
<b>977</b>	chocolate ash, low sheen <span style="border: 1px solid black; padding: 0 2px;">A</span>	+\$0
<b>978</b>	natural oak <span style="border: 1px solid black; padding: 0 2px;">A</span>	+\$0
<b>981</b>	champagne hickory (natural) <span style="border: 1px solid black; padding: 0 2px;">A</span>	+\$0
<b>98R</b>	recograin rosewood <span style="border: 1px solid black; padding: 0 2px;">A</span>	+\$0
<b>991</b>	champagne ash <span style="border: 1px solid black; padding: 0 2px;">A</span>	+\$0
<b>998</b>	ebony ash <span style="border: 1px solid black; padding: 0 2px;">A</span>	+\$0
<b>99A</b>	recograin frosty ash <span style="border: 1px solid black; padding: 0 2px;">A</span>	+\$0
<b>99R</b>	recograin rosewood <span style="border: 1px solid black; padding: 0 2px;">A</span>	+\$0
<b>99T</b>	recograin teak <span style="border: 1px solid black; padding: 0 2px;">A</span>	+\$0
<b>9A1</b>	white ash, quarter cut, low sheen <span style="border: 1px solid black; padding: 0 2px;">A</span>	+\$0
<b>9K1</b>	rift oak, rift cut, low sheen <span style="border: 1px solid black; padding: 0 2px;">A</span>	+\$0
<b>9K6</b>	burnt oak, rift cut, low sheen <span style="border: 1px solid black; padding: 0 2px;">A</span>	+\$0
<b>ED</b>	aged cherry <span style="border: 1px solid black; padding: 0 2px;">A</span>	+\$0
<b>EK</b>	medium red walnut <span style="border: 1px solid black; padding: 0 2px;">A</span>	+\$0
<b>G2U</b>	light brown walnut, low sheen <span style="border: 1px solid black; padding: 0 2px;">A</span>	+\$0
<b>G40</b>	dark brown walnut, low sheen <span style="border: 1px solid black; padding: 0 2px;">A</span>	+\$0
<b>UX</b>	walnut on cherry <span style="border: 1px solid black; padding: 0 2px;">A</span>	+\$0

# Sled Base Credenza Four Units

## Wide *continued*

### Premium Veneer - Matte

For single door left, single door left center, BBF right center, BBF right (-B2B2B4B4)

662	toasted walnut, matte sheen <input type="checkbox"/>	+\$0
663	charred walnut, matte sheen <input type="checkbox"/>	+\$0
664	bronzed walnut, matte sheen <input type="checkbox"/>	+\$0
665	smoked walnut, matte sheen <input type="checkbox"/>	+\$0
666	coffee walnut, matte sheen <input type="checkbox"/>	+\$0
667	smoked paldao, quarter cut, matte sheen <input type="checkbox"/>	+\$1575
669	warm paldao, quarter cut, matte sheen <input type="checkbox"/>	+\$0
66A	recograin frosty ash <input type="checkbox"/>	+\$0
677	chocolate ash, matte sheen <input type="checkbox"/>	+\$0
678	natural oak <input type="checkbox"/>	+\$0
68R	recograin rosewood <input type="checkbox"/>	+\$0
69A	recograin frosty ash <input type="checkbox"/>	+\$0
69R	recograin rosewood <input type="checkbox"/>	+\$0
69T	recograin teak <input type="checkbox"/>	+\$0
6A1	white ash <input type="checkbox"/>	+\$0
6K1	rift oak <input type="checkbox"/>	+\$0
6K6	burnt oak <input type="checkbox"/>	+\$0
ET	clear on ash <input type="checkbox"/>	+\$0
EU	oak on ash <input type="checkbox"/>	+\$0
EV	walnut on ash <input type="checkbox"/>	+\$0
GOU	natural walnut, flat cut, matte sheen <input type="checkbox"/>	+\$0

### RecoGrain Veneer

For single door left, single door left center, BBF right center, BBF right (-B2B2B4B4)

66G	recograin wenge <input type="checkbox"/>	-\$525
68W	recograin walnut, flat cut, matte sheen <input type="checkbox"/>	-\$525
69G	recograin wenge <input type="checkbox"/>	-\$525
69K	recograin oak, quarter cut, matte sheen <input type="checkbox"/>	-\$525
69W	recograin walnut, quarter cut, matte sheen <input type="checkbox"/>	-\$525

### Recon Veneer -

For single door left, single door left center, BBF right center, BBF right (-B2B2B4B4)

96G	wenge recograin, quarter cut, low sheen <input type="checkbox"/>	-\$525
98W	recograin walnut, flat cut, low sheen <input type="checkbox"/>	-\$525
99G	recograin wenge, quarter cut, low sheen <input type="checkbox"/>	-\$525
99K	recograin oak, quarter cut, low sheen <input type="checkbox"/>	-\$525
99W	recograin walnut, quarter cut, low sheen <input type="checkbox"/>	-\$525

### Premium Veneer - Low Sheen

For four BBF (-B4B4B4B4)

931	champagne anigre (natural) <input type="checkbox"/>	+\$2151
932	sundance anigre <input type="checkbox"/>	+\$2151
933	caramel anigre <input type="checkbox"/>	+\$2151
934	henna anigre <input type="checkbox"/>	+\$2151
941	natural beech <input type="checkbox"/>	+\$0
942	sundance cherry (natural) <input type="checkbox"/>	+\$0
943	caramel cherry <input type="checkbox"/>	+\$0
946	cocoa cherry <input type="checkbox"/>	+\$0
951	natural anigre <input type="checkbox"/>	+\$4700
956	cocoa sapele <input type="checkbox"/>	+\$0
962	toasted walnut, low sheen <input type="checkbox"/>	+\$0
963	charred walnut, low sheen <input type="checkbox"/>	+\$0
964	bronzed walnut, low sheen <input type="checkbox"/>	+\$0
965	smoked walnut, low sheen <input type="checkbox"/>	+\$0
966	coffee walnut, low sheen <input type="checkbox"/>	+\$0
967	smoked paldao, low sheen <input type="checkbox"/>	+\$1763
969	warm paldao, low sheen <input type="checkbox"/>	+\$1763
977	chocolate ash, low sheen <input type="checkbox"/>	+\$0
978	natural oak <input type="checkbox"/>	+\$0
981	champagne hickory (natural) <input type="checkbox"/>	+\$0
98R	recograin rosewood <input type="checkbox"/>	+\$0
991	champagne ash <input type="checkbox"/>	+\$0
998	ebony ash <input type="checkbox"/>	+\$0
99A	recograin frosty ash <input type="checkbox"/>	+\$0
99R	recograin rosewood <input type="checkbox"/>	+\$0
99T	recograin teak <input type="checkbox"/>	+\$0
9A1	white ash, quarter cut, low sheen <input type="checkbox"/>	+\$0
9K1	rift oak, rift cut, low sheen <input type="checkbox"/>	+\$0
9K6	burnt oak, rift cut, low sheen <input type="checkbox"/>	+\$0
ED	aged cherry <input type="checkbox"/>	+\$0
EK	medium red walnut <input type="checkbox"/>	+\$0
G2U	light brown walnut, low sheen <input type="checkbox"/>	+\$0
G40	dark brown walnut, low sheen <input type="checkbox"/>	+\$0
UX	walnut on cherry <input type="checkbox"/>	+\$0

# Sled Base Credenza Four Units

## Wide *continued*

---

### Premium Veneer - Matte

*For four BBF (-B4B4B4B4)*

<b>662</b>	toasted walnut, matte sheen <input type="checkbox"/>	+\$0
<b>663</b>	charred walnut, matte sheen <input type="checkbox"/>	+\$0
<b>664</b>	bronzed walnut, matte sheen <input type="checkbox"/>	+\$0
<b>665</b>	smoked walnut, matte sheen <input type="checkbox"/>	+\$0
<b>666</b>	coffee walnut, matte sheen <input type="checkbox"/>	+\$0
<b>66A</b>	recograin frosty ash <input type="checkbox"/>	+\$0
<b>677</b>	chocolate ash, matte sheen <input type="checkbox"/>	+\$0
<b>678</b>	natural oak <input type="checkbox"/>	+\$0
<b>68R</b>	recograin rosewood <input type="checkbox"/>	+\$0
<b>69A</b>	recograin frosty ash <input type="checkbox"/>	+\$0
<b>69R</b>	recograin rosewood <input type="checkbox"/>	+\$0
<b>69T</b>	recograin teak <input type="checkbox"/>	+\$0
<b>6A1</b>	white ash <input type="checkbox"/>	+\$0
<b>6K1</b>	rift oak <input type="checkbox"/>	+\$0
<b>6K6</b>	burnt oak <input type="checkbox"/>	+\$0
<b>ET</b>	clear on ash <input type="checkbox"/>	+\$0
<b>EU</b>	oak on ash <input type="checkbox"/>	+\$0
<b>EV</b>	walnut on ash <input type="checkbox"/>	+\$0
<b>GOU</b>	natural walnut, flat cut, matte sheen <input type="checkbox"/>	+\$0

---

### RecoGrain Veneer

*For four BBF (-B4B4B4B4)*

<b>66G</b>	recograin wenge <input type="checkbox"/>	-\$588
<b>68W</b>	recograin walnut, flat cut, matte sheen <input type="checkbox"/>	-\$588
<b>69G</b>	recograin wenge <input type="checkbox"/>	-\$588
<b>69K</b>	recograin oak, quarter cut, matte sheen <input type="checkbox"/>	-\$588
<b>69W</b>	recograin walnut, quarter cut, matte sheen <input type="checkbox"/>	-\$588

---

### Recon Veneer -

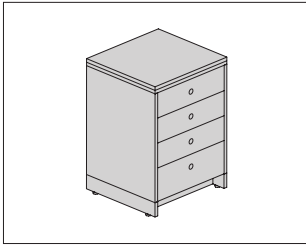
*For four BBF (-B4B4B4B4)*

<b>96G</b>	wenge recograin, quarter cut, low sheen <input type="checkbox"/>	-\$588
<b>98W</b>	recograin walnut, flat cut, low sheen <input type="checkbox"/>	-\$588
<b>99G</b>	recograin wenge, quarter cut, low sheen <input type="checkbox"/>	-\$588
<b>99K</b>	recograin oak, quarter cut, low sheen <input type="checkbox"/>	-\$588
<b>99W</b>	recograin walnut, quarter cut, low sheen <input type="checkbox"/>	-\$588

---

### Step 5. Metal Finish

<b>BNZ</b>	bronze <input type="checkbox"/>	+\$0
<b>CHR</b>	chrome <input type="checkbox"/>	+\$0
<b>SAC</b>	satin chrome <input type="checkbox"/>	+\$0



**Product Information**

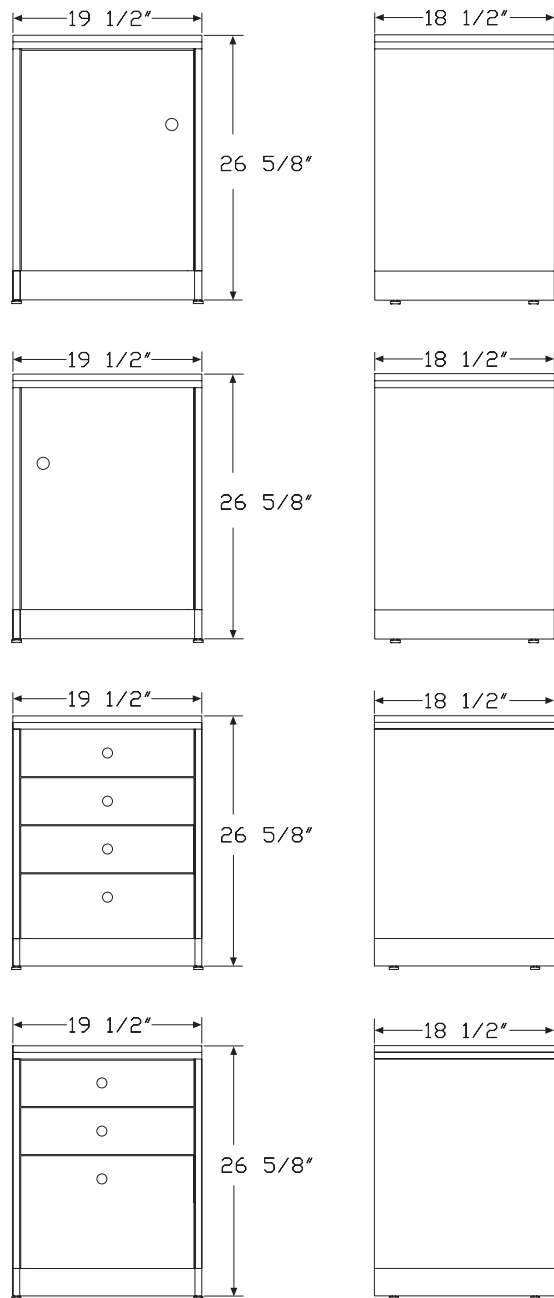
**Description**

This one-unit wide sled base credenza has a stone top and includes 3"-high metal base on the 3/4"-thick credenza gable. Storage unit is 18"-wide. Ward Bennett Flip pulls come in matching metal finish.

**Notes**

Sled base credenzas ship assembled.  
 Drawer credenzas include wood boxes and self-closing hidden drawer slides. Pencil tray and felt lining in bottom of drawer also included.  
 Santos palisander veneer is celebrated for its unique grain and color variations. Similar products ordered in multiples or dissimilar products ordered separately should be expected to have variation in both grain and color characteristics; no two products will look exactly alike.

**Dimensions**



# Sled Base Pedestal Stone Top

continued

HermanMiller Collection—Storage

## Specification Information

Step 1.

**JCS1S** A

Step 2. Size

**-1920** 18<sup>1</sup>/<sub>2</sub>" deep x 19<sup>1</sup>/<sub>2</sub>" wide x 26<sup>5</sup>/<sub>8</sub>" high A

Step 3. Configuration

**-B2L** single door, hinged left A

**-B2R** single door, hinged right A

**-B3** four box drawer A

**-B4** box, box, file A

Prices for Steps 1-3.

		<b>-B2L</b>	<b>-B2R</b>	<b>-B3</b>	<b>-B4</b>
<b>JCS1S</b>	<b>-1920</b>	\$4360	4360	5405	5005

Step 4. Wood Finish

Premium Veneer - Low Sheen

		<b>-B2L</b>	<b>-B2R</b>	<b>-B3</b>	<b>-B4</b>
<b>931</b>	champagne anigre (natural) <span style="border: 1px solid black; padding: 0 2px;">A</span>	+\$775	775	961	890
<b>932</b>	sundance anigre <span style="border: 1px solid black; padding: 0 2px;">A</span>	+\$775	775	961	890
<b>933</b>	caramel anigre <span style="border: 1px solid black; padding: 0 2px;">A</span>	+\$775	775	961	890
<b>934</b>	henna anigre <span style="border: 1px solid black; padding: 0 2px;">A</span>	+\$775	775	961	890
<b>941</b>	natural beech <span style="border: 1px solid black; padding: 0 2px;">A</span>	+\$0	0	0	0
<b>942</b>	sundance cherry (natural) <span style="border: 1px solid black; padding: 0 2px;">A</span>	+\$0	0	0	0
<b>943</b>	caramel cherry <span style="border: 1px solid black; padding: 0 2px;">A</span>	+\$0	0	0	0
<b>946</b>	cocoa cherry <span style="border: 1px solid black; padding: 0 2px;">A</span>	+\$0	0	0	0
<b>951</b>	natural anigre <span style="border: 1px solid black; padding: 0 2px;">A</span>	+\$1694	1694	2099	1944
<b>956</b>	cocoa sapele <span style="border: 1px solid black; padding: 0 2px;">A</span>	+\$0	0	0	0
<b>962</b>	toasted walnut, low sheen <span style="border: 1px solid black; padding: 0 2px;">A</span>	+\$0	0	0	0
<b>963</b>	charred walnut, low sheen <span style="border: 1px solid black; padding: 0 2px;">A</span>	+\$0	0	0	0
<b>964</b>	bronzed walnut, low sheen <span style="border: 1px solid black; padding: 0 2px;">A</span>	+\$0	0	0	0
<b>965</b>	smoked walnut, low sheen <span style="border: 1px solid black; padding: 0 2px;">A</span>	+\$0	0	0	0
<b>966</b>	coffee walnut, low sheen <span style="border: 1px solid black; padding: 0 2px;">A</span>	+\$0	0	0	0
<b>967</b>	smoked paldao, low sheen <span style="border: 1px solid black; padding: 0 2px;">A</span>	+\$635	635	788	729
<b>969</b>	warm paldao, low sheen <span style="border: 1px solid black; padding: 0 2px;">A</span>	+\$635	635	788	729
<b>977</b>	chocolate ash, low sheen <span style="border: 1px solid black; padding: 0 2px;">A</span>	+\$0	0	0	0
<b>978</b>	natural oak <span style="border: 1px solid black; padding: 0 2px;">A</span>	+\$0	0	0	0

<b>981</b>	champagne hickory (natural) <span style="border: 1px solid black; padding: 0 2px;">A</span>	+\$0	0	0	0
<b>98R</b>	recograin rosewood <span style="border: 1px solid black; padding: 0 2px;">A</span>	+\$0	0	0	0
<b>991</b>	champagne ash <span style="border: 1px solid black; padding: 0 2px;">A</span>	+\$0	0	0	0
<b>998</b>	ebony ash <span style="border: 1px solid black; padding: 0 2px;">A</span>	+\$0	0	0	0
<b>99A</b>	recograin frosty ash <span style="border: 1px solid black; padding: 0 2px;">A</span>	+\$0	0	0	0
<b>99R</b>	recograin rosewood <span style="border: 1px solid black; padding: 0 2px;">A</span>	+\$0	0	0	0
<b>99T</b>	recograin teak <span style="border: 1px solid black; padding: 0 2px;">A</span>	+\$0	0	0	0
<b>9A1</b>	white ash, quarter cut, low sheen <span style="border: 1px solid black; padding: 0 2px;">A</span>	+\$0	0	0	0
<b>9K1</b>	rift oak, rift cut, low sheen <span style="border: 1px solid black; padding: 0 2px;">A</span>	+\$0	0	0	0
<b>9K6</b>	burnt oak, rift cut, low sheen <span style="border: 1px solid black; padding: 0 2px;">A</span>	+\$0	0	0	0
<b>ED</b>	aged cherry <span style="border: 1px solid black; padding: 0 2px;">A</span>	+\$0	0	0	0
<b>EK</b>	medium red walnut <span style="border: 1px solid black; padding: 0 2px;">A</span>	+\$0	0	0	0
<b>G2U</b>	light brown walnut, low sheen <span style="border: 1px solid black; padding: 0 2px;">A</span>	+\$0	0	0	0
<b>G40</b>	dark brown walnut, low sheen <span style="border: 1px solid black; padding: 0 2px;">A</span>	+\$0	0	0	0
<b>UX</b>	walnut on cherry <span style="border: 1px solid black; padding: 0 2px;">A</span>	+\$0	0	0	0

# Sled Base Pedestal Stone Top

continued

Premium Veneer - Matte		-B2L	-B2R	-B3	-B4
<b>662</b>	toasted walnut, matte sheen <input type="checkbox"/>	+\$0	0	0	0
<b>663</b>	charred walnut, matte sheen <input type="checkbox"/>	+\$0	0	0	0
<b>664</b>	bronzed walnut, matte sheen <input type="checkbox"/>	+\$0	0	0	0
<b>665</b>	smoked walnut, matte sheen <input type="checkbox"/>	+\$0	0	0	0
<b>666</b>	coffee walnut, matte sheen <input type="checkbox"/>	+\$0	0	0	0
<b>667</b>	smoked paldao, quarter cut, matte sheen <input type="checkbox"/>	+\$635	635	788	729
<b>669</b>	warm paldao, quarter cut, matte sheen <input type="checkbox"/>	+\$635	635	788	729
<b>66A</b>	recograin frosty ash <input type="checkbox"/>	+\$0	0	0	0
<b>677</b>	chocolate ash, matte sheen <input type="checkbox"/>	+\$0	0	0	0
<b>678</b>	natural oak <input type="checkbox"/>	+\$0	0	0	0
<b>68R</b>	recograin rosewood <input type="checkbox"/>	+\$0	0	0	0
<b>69A</b>	recograin frosty ash <input type="checkbox"/>	+\$0	0	0	0
<b>69R</b>	recograin rosewood <input type="checkbox"/>	+\$0	0	0	0
<b>69T</b>	recograin teak <input type="checkbox"/>	+\$0	0	0	0
<b>6A1</b>	white ash <input type="checkbox"/>	+\$0	0	0	0
<b>6K1</b>	rift oak <input type="checkbox"/>	+\$0	0	0	0
<b>6K6</b>	burnt oak <input type="checkbox"/>	+\$0	0	0	0
<b>ET</b>	clear on ash <input type="checkbox"/>	+\$0	0	0	0
<b>EU</b>	oak on ash <input type="checkbox"/>	+\$0	0	0	0
<b>EV</b>	walnut on ash <input type="checkbox"/>	+\$0	0	0	0
<b>GOU</b>	natural walnut, flat cut, matte sheen <input type="checkbox"/>	+\$0	0	0	0

RecoGrain Veneer		-B2L	-B2R	-B3	-B4
<b>66G</b>	recograin wenge <input type="checkbox"/>	-\$212	-212	-263	-243
<b>68W</b>	recograin walnut, flat cut, matte sheen <input type="checkbox"/>	-\$212	-212	-263	-243
<b>69G</b>	recograin wenge <input type="checkbox"/>	-\$212	-212	-263	-243
<b>69K</b>	recograin oak, quarter cut, matte sheen <input type="checkbox"/>	-\$212	-212	-263	-243
<b>69W</b>	recograin walnut, quarter cut, matte sheen <input type="checkbox"/>	-\$212	-212	-263	-243

Recon Veneer -		-B2L	-B2R	-B3	-B4
<b>96G</b>	wenge recograin, quarter cut, low sheen <input type="checkbox"/>	-\$212	-212	-263	-243
<b>98W</b>	recograin walnut, flat cut, low sheen <input type="checkbox"/>	-\$212	-212	-263	-243
<b>99G</b>	recograin wenge, quarter cut, low sheen <input type="checkbox"/>	-\$212	-212	-263	-243
<b>99K</b>	recograin oak, quarter cut, low sheen <input type="checkbox"/>	-\$212	-212	-263	-243
<b>99W</b>	recograin walnut, quarter cut, low sheen <input type="checkbox"/>	-\$212	-212	-263	-243

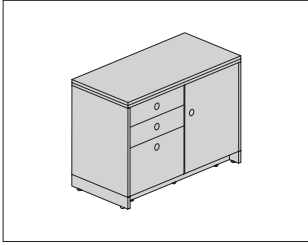
Step 5. Stone or Marble Top			
<b>200</b>	perfato marble <input type="checkbox"/>		+\$0
<b>250</b>	verde antique marble <input type="checkbox"/>		+\$0
<b>400</b>	black granite <input type="checkbox"/>		+\$0
<b>5U</b>	georgia grey marble <input type="checkbox"/>		+\$0
<b>800</b>	autumn brown granite <input type="checkbox"/>		+\$0
<b>960</b>	white carrara marble <input type="checkbox"/>		+\$0
<b>HR</b>	wisconsin black marble <input type="checkbox"/>		+\$0

Step 6. Metal Finish			
<b>BNZ</b>	bronze <input type="checkbox"/>		+\$0
<b>CHR</b>	chrome <input type="checkbox"/>		+\$0
<b>SAC</b>	satin chrome <input type="checkbox"/>		+\$0

HermanMiller Collection - Storage

Sled Base Credenza Two Units  
Wide and Stone Top

JCS2S



HermanMiller Collection—Storage

**Product Information**

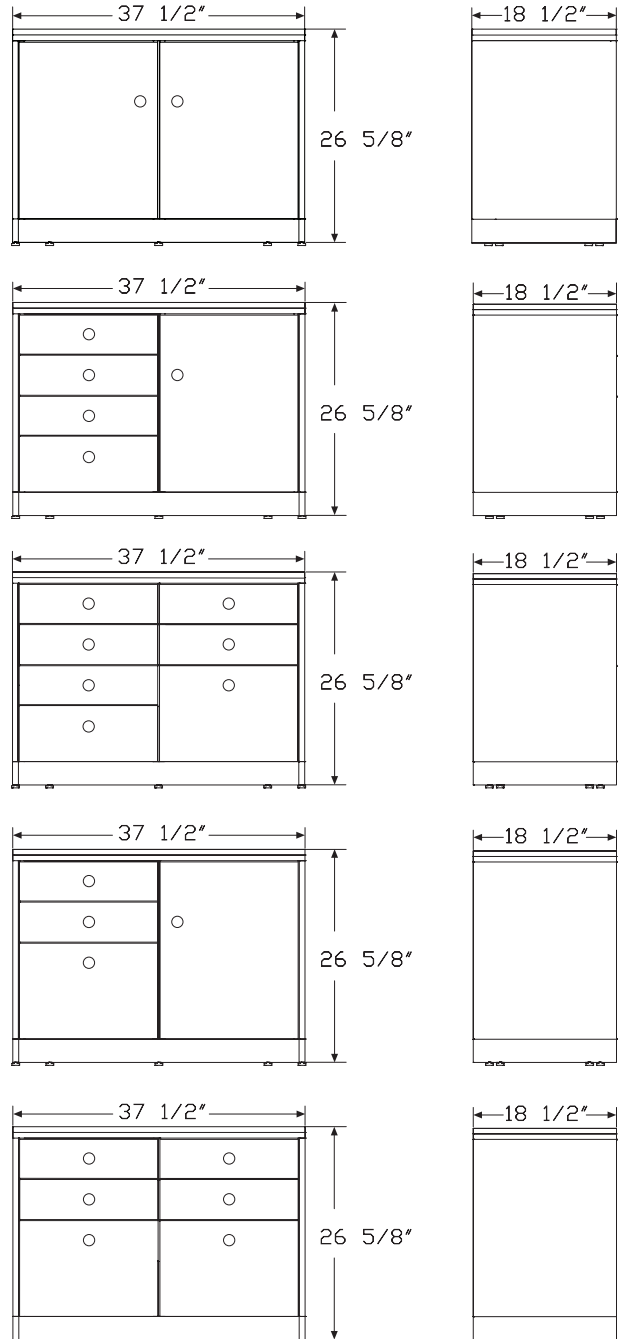
**Description**

This two-unit wide sled base credenza has a stone top and includes 3"-high metal base on the 3/4"-thick credenza gable. Storage unit is 18"-wide. Ward Bennett Flip pulls come in matching metal finish.

**Notes**

Sled base credenzas ship assembled.  
 Drawer credenzas include wood boxes and self-closing hidden drawer slides. Pencil tray and felt lining in bottom of drawer also included.  
 Santos palisander veneer is celebrated for its unique grain and color variations. Similar products ordered in multiples or dissimilar products ordered separately should be expected to have variation in both grain and color characteristics; no two products will look exactly alike.

**Dimensions**





# Sled Base Credenza Two Units

## Wide and Stone Top *continued*

### Specification Information

Step 1.

**JCS2S** A

Step 2. Size

**-1938** 18<sup>1</sup>/<sub>2</sub>" deep x 37<sup>1</sup>/<sub>2</sub>" wide x 26<sup>5</sup>/<sub>8</sub>" high A

Step 3. Configuration

**-B2B2** two doors A

**-B3B2** four drawers left, single door right A

**-B3B4** four drawers left, BBF right A

**-B4B2** BBF left, single door right A

**-B4B4** BBF left, BBF right A

Prices for Steps 1-3.

	<b>-B2B2</b>	<b>-B3B2</b>	<b>-B3B4</b>	<b>-B4B2</b>	<b>-B4B4</b>
<b>JCS2S -1938</b>	\$7392	8436	9081	8037	8682

Step 4. Wood Finish

Premium Veneer - Low Sheen

	<b>-B2B2</b>	<b>-B3B2</b>	<b>-B3B4</b>	<b>-B4B2</b>	<b>-B4B4</b>
<b>931</b> champagne anigre (natural) <span style="border: 1px solid black; padding: 0 2px;">A</span>	+\$1314	1499	1614	1428	1543
<b>932</b> sundance anigre <span style="border: 1px solid black; padding: 0 2px;">A</span>	+\$1314	1499	1614	1428	1543
<b>933</b> caramel anigre <span style="border: 1px solid black; padding: 0 2px;">A</span>	+\$1314	1499	1614	1428	1543
<b>934</b> henna anigre <span style="border: 1px solid black; padding: 0 2px;">A</span>	+\$1314	1499	1614	1428	1543
<b>941</b> natural beech <span style="border: 1px solid black; padding: 0 2px;">A</span>	+\$0	0	0	0	0
<b>942</b> sundance cherry (natural) <span style="border: 1px solid black; padding: 0 2px;">A</span>	+\$0	0	0	0	0
<b>943</b> caramel cherry <span style="border: 1px solid black; padding: 0 2px;">A</span>	+\$0	0	0	0	0
<b>946</b> cocoa cherry <span style="border: 1px solid black; padding: 0 2px;">A</span>	+\$0	0	0	0	0
<b>951</b> natural anigre <span style="border: 1px solid black; padding: 0 2px;">A</span>	+\$2871	3276	3527	3121	3372
<b>956</b> cocoa sapele <span style="border: 1px solid black; padding: 0 2px;">A</span>	+\$0	0	0	0	0
<b>962</b> toasted walnut, low sheen <span style="border: 1px solid black; padding: 0 2px;">A</span>	+\$0	0	0	0	0
<b>963</b> charred walnut, low sheen <span style="border: 1px solid black; padding: 0 2px;">A</span>	+\$0	0	0	0	0
<b>964</b> bronzed walnut, low sheen <span style="border: 1px solid black; padding: 0 2px;">A</span>	+\$0	0	0	0	0
<b>965</b> smoked walnut, low sheen <span style="border: 1px solid black; padding: 0 2px;">A</span>	+\$0	0	0	0	0
<b>966</b> coffee walnut, low sheen <span style="border: 1px solid black; padding: 0 2px;">A</span>	+\$0	0	0	0	0
<b>967</b> smoked paldao, low sheen <span style="border: 1px solid black; padding: 0 2px;">A</span>	+\$1077	1229	1323	1171	1265

<b>969</b> warm paldao, low sheen <span style="border: 1px solid black; padding: 0 2px;">A</span>	+\$1077	1229	1323	1171	1265
<b>977</b> chocolate ash, low sheen <span style="border: 1px solid black; padding: 0 2px;">A</span>	+\$0	0	0	0	0
<b>978</b> natural oak <span style="border: 1px solid black; padding: 0 2px;">A</span>	+\$0	0	0	0	0
<b>981</b> champagne hickory (natural) <span style="border: 1px solid black; padding: 0 2px;">A</span>	+\$0	0	0	0	0
<b>98R</b> recograin rosewood <span style="border: 1px solid black; padding: 0 2px;">A</span>	+\$0	0	0	0	0
<b>991</b> champagne ash <span style="border: 1px solid black; padding: 0 2px;">A</span>	+\$0	0	0	0	0
<b>998</b> ebony ash <span style="border: 1px solid black; padding: 0 2px;">A</span>	+\$0	0	0	0	0
<b>99A</b> recograin frosty ash <span style="border: 1px solid black; padding: 0 2px;">A</span>	+\$0	0	0	0	0
<b>99R</b> recograin rosewood <span style="border: 1px solid black; padding: 0 2px;">A</span>	+\$0	0	0	0	0
<b>99T</b> recograin teak <span style="border: 1px solid black; padding: 0 2px;">A</span>	+\$0	0	0	0	0
<b>9A1</b> white ash, quarter cut, low sheen <span style="border: 1px solid black; padding: 0 2px;">A</span>	+\$0	0	0	0	0
<b>9K1</b> rift oak, rift cut, low sheen <span style="border: 1px solid black; padding: 0 2px;">A</span>	+\$0	0	0	0	0
<b>9K6</b> burnt oak, rift cut, low sheen <span style="border: 1px solid black; padding: 0 2px;">A</span>	+\$0	0	0	0	0
<b>ED</b> aged cherry <span style="border: 1px solid black; padding: 0 2px;">A</span>	+\$0	0	0	0	0
<b>EK</b> medium red walnut <span style="border: 1px solid black; padding: 0 2px;">A</span>	+\$0	0	0	0	0
<b>G2U</b> light brown walnut, low sheen <span style="border: 1px solid black; padding: 0 2px;">A</span>	+\$0	0	0	0	0
<b>G40</b> dark brown walnut, low sheen <span style="border: 1px solid black; padding: 0 2px;">A</span>	+\$0	0	0	0	0
<b>UX</b> walnut on cherry <span style="border: 1px solid black; padding: 0 2px;">A</span>	+\$0	0	0	0	0

# Sled Base Credenza Two Units

## Wide and Stone Top *continued*

HermanMiller Collection—Storage

Premium Veneer - Matte		-B2B2	-B3B2	-B3B4	-B4B2	-B4B4
<b>662</b>	toasted walnut, matte sheen <b>A</b>	+\$0	0	0	0	0
<b>663</b>	charred walnut, matte sheen <b>A</b>	+\$0	0	0	0	0
<b>664</b>	bronzed walnut, matte sheen <b>A</b>	+\$0	0	0	0	0
<b>665</b>	smoked walnut, matte sheen <b>A</b>	+\$0	0	0	0	0
<b>666</b>	coffee walnut, matte sheen <b>A</b>	+\$0	0	0	0	0
<b>667</b>	smoked paldao, quarter cut, matte sheen <b>A</b>	+\$1077	1229	1323	1171	1265
<b>669</b>	warm paldao, quarter cut, matte sheen <b>A</b>	+\$1077	1229	1323	1171	1265
<b>66A</b>	recograin frosty ash <b>A</b>	+\$0	0	0	0	0
<b>677</b>	chocolate ash, matte sheen <b>A</b>	+\$0	0	0	0	0
<b>678</b>	natural oak <b>A</b>	+\$0	0	0	0	0
<b>68R</b>	recograin rosewood <b>A</b>	+\$0	0	0	0	0
<b>69A</b>	recograin frosty ash <b>A</b>	+\$0	0	0	0	0
<b>69R</b>	recograin rosewood <b>A</b>	+\$0	0	0	0	0
<b>69T</b>	recograin teak <b>A</b>	+\$0	0	0	0	0
<b>6A1</b>	white ash <b>A</b>	+\$0	0	0	0	0
<b>6K1</b>	rift oak <b>A</b>	+\$0	0	0	0	0
<b>6K6</b>	burnt oak <b>A</b>	+\$0	0	0	0	0
<b>ET</b>	clear on ash <b>A</b>	+\$0	0	0	0	0
<b>EU</b>	oak on ash <b>A</b>	+\$0	0	0	0	0
<b>EV</b>	walnut on ash <b>A</b>	+\$0	0	0	0	0
<b>GOU</b>	natural walnut, flat cut, matte sheen <b>A</b>	+\$0	0	0	0	0

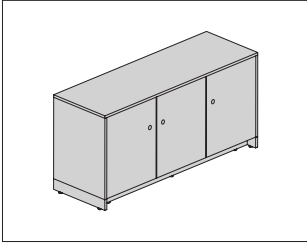
RecoGrain Veneer		-B2B2	-B3B2	-B3B4	-B4B2	-B4B4
<b>66G</b>	recograin wenge <b>A</b>	-\$359	-410	-441	-391	-422
<b>68W</b>	recograin walnut, flat cut, matte sheen <b>A</b>	-\$359	-410	-441	-391	-422
<b>69G</b>	recograin wenge <b>A</b>	-\$359	-410	-441	-391	-422
<b>69K</b>	recograin oak, quarter cut, matte sheen <b>A</b>	-\$359	-410	-441	-391	-422
<b>69W</b>	recograin walnut, quarter cut, matte sheen <b>A</b>	-\$359	-410	-441	-391	-422

Recon Veneer -		-B2B2	-B3B2	-B3B4	-B4B2	-B4B4
<b>96G</b>	wenge recograin, quarter cut, low sheen <b>A</b>	-\$359	-410	-441	-391	-422
<b>98W</b>	recograin walnut, flat cut, low sheen <b>A</b>	-\$359	-410	-441	-391	-422
<b>99G</b>	recograin wenge, quarter cut, low sheen <b>A</b>	-\$359	-410	-441	-391	-422
<b>99K</b>	recograin oak, quarter cut, low sheen <b>A</b>	-\$359	-410	-441	-391	-422
<b>99W</b>	recograin walnut, quarter cut, low sheen <b>A</b>	-\$359	-410	-441	-391	-422

Step 5. Stone or Marble Top		
<b>200</b>	perfato marble <b>A</b>	+\$0
<b>250</b>	verde antique marble <b>A</b>	+\$0
<b>400</b>	black granite <b>A</b>	+\$0
<b>5U</b>	georgia grey marble <b>A</b>	+\$0
<b>800</b>	autumn brown granite <b>A</b>	+\$0
<b>960</b>	white carrara marble <b>A</b>	+\$0
<b>HR</b>	wisconsin black marble <b>A</b>	+\$0

Step 6. Metal Finish		
<b>BNZ</b>	bronze <b>A</b>	+\$0
<b>CHR</b>	chrome <b>A</b>	+\$0
<b>SAC</b>	satin chrome <b>A</b>	+\$0

Sled Base Credenza Three Units JCS3S  
Wide and Stone Top



**Product Information**

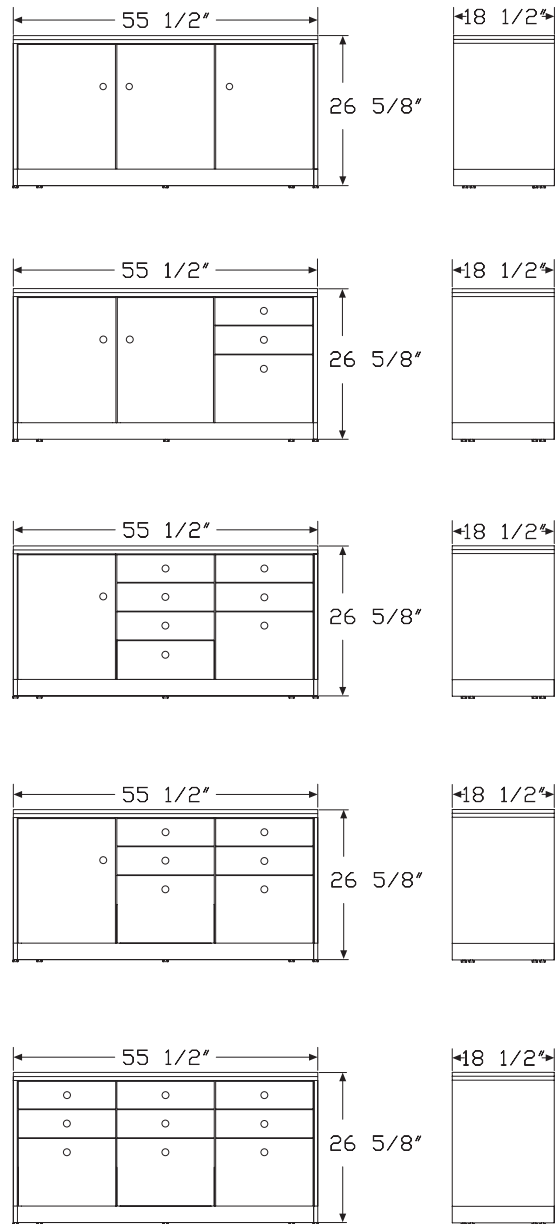
**Description**

This three-unit wide sled base credenza has a stone top and includes 3"-high metal base on the 3/4"-thick credenza gable. Storage unit is 18"-wide. Ward Bennett Flip pulls come in matching metal finish.

**Notes**

Sled base credenzas ship assembled.  
 Drawer credenzas include wood boxes and self-closing hidden drawer slides. Pencil tray and felt lining in bottom of drawer also included.  
 Santos palisander veneer is celebrated for its unique grain and color variations. Similar products ordered in multiples or dissimilar products ordered separately should be expected to have variation in both grain and color characteristics; no two products will look exactly alike.

**Dimensions**



# Sled Base Credenza Three Units Wide and Stone Top *continued*

Specification Information						
Step 1.						
<b>JCS3S</b> <span style="border: 1px solid black; padding: 0 2px;">A</span>						
Step 2. Size						
<b>-1956</b>	18 <sup>1</sup> / <sub>2</sub> " deep x 55 <sup>1</sup> / <sub>2</sub> " wide x 26 <sup>5</sup> / <sub>8</sub> " high	<span style="border: 1px solid black; padding: 0 2px;">A</span>				
Step 3. Configuration						
<b>-B2B2B2</b>	three single doors	<span style="border: 1px solid black; padding: 0 2px;">A</span>				
<b>-B2B2B4</b>	single door left, single door center, BBF right	<span style="border: 1px solid black; padding: 0 2px;">A</span>				
<b>-B2B3B4</b>	single door left, 4 box center, BBF right	<span style="border: 1px solid black; padding: 0 2px;">A</span>				
<b>-B2B4B4</b>	single door left, BBF center, BBF right	<span style="border: 1px solid black; padding: 0 2px;">A</span>				
<b>-B4B4B4</b>	BBF left, BBF center, BBF right	<span style="border: 1px solid black; padding: 0 2px;">A</span>				
Prices for Steps 1-3.						
		<b>-B2B2B2</b>	<b>-B2B2B4</b>	<b>-B2B3B4</b>	<b>-B2B4B4</b>	<b>-B4B4B4</b>
<b>JCS3S</b>	<b>-1956</b>	\$9972	10617	11661	11261	11906
Step 4. Wood Finish						
Premium Veneer - Low Sheen						
		<b>-B2B2B2</b>	<b>-B2B2B4</b>	<b>-B2B3B4</b>	<b>-B2B4B4</b>	<b>-B4B4B4</b>
<b>931</b>	champagne anigre (natural) <span style="border: 1px solid black; padding: 0 2px;">A</span>	+\$1772	1887	2073	2002	2116
<b>932</b>	sundance anigre <span style="border: 1px solid black; padding: 0 2px;">A</span>	+\$1772	1887	2073	2002	2116
<b>933</b>	caramel anigre <span style="border: 1px solid black; padding: 0 2px;">A</span>	+\$1772	1887	2073	2002	2116
<b>934</b>	henna anigre <span style="border: 1px solid black; padding: 0 2px;">A</span>	+\$1772	1887	2073	2002	2116
<b>941</b>	natural beech <span style="border: 1px solid black; padding: 0 2px;">A</span>	+\$0	0	0	0	0
<b>942</b>	sundance cherry (natural) <span style="border: 1px solid black; padding: 0 2px;">A</span>	+\$0	0	0	0	0
<b>943</b>	caramel cherry <span style="border: 1px solid black; padding: 0 2px;">A</span>	+\$0	0	0	0	0
<b>946</b>	cocoa cherry <span style="border: 1px solid black; padding: 0 2px;">A</span>	+\$0	0	0	0	0
<b>951</b>	natural anigre <span style="border: 1px solid black; padding: 0 2px;">A</span>	+\$3873	4124	4529	4374	4624
<b>956</b>	cocoa sapele <span style="border: 1px solid black; padding: 0 2px;">A</span>	+\$0	0	0	0	0
<b>962</b>	toasted walnut, low sheen <span style="border: 1px solid black; padding: 0 2px;">A</span>	+\$0	0	0	0	0
<b>963</b>	charred walnut, low sheen <span style="border: 1px solid black; padding: 0 2px;">A</span>	+\$0	0	0	0	0
<b>964</b>	bronzed walnut, low sheen <span style="border: 1px solid black; padding: 0 2px;">A</span>	+\$0	0	0	0	0
<b>965</b>	smoked walnut, low sheen <span style="border: 1px solid black; padding: 0 2px;">A</span>	+\$0	0	0	0	0
<b>966</b>	coffee walnut, low sheen <span style="border: 1px solid black; padding: 0 2px;">A</span>	+\$0	0	0	0	0
<b>967</b>	smoked paldao, low sheen <span style="border: 1px solid black; padding: 0 2px;">A</span>	+\$1453	1547	1699	1641	1734

<b>969</b>	warm paldao, low sheen <span style="border: 1px solid black; padding: 0 2px;">A</span>	+\$1453	1547	1699	1641	1734
<b>977</b>	chocolate ash, low sheen <span style="border: 1px solid black; padding: 0 2px;">A</span>	+\$0	0	0	0	0
<b>978</b>	natural oak <span style="border: 1px solid black; padding: 0 2px;">A</span>	+\$0	0	0	0	0
<b>981</b>	champagne hickory (natural) <span style="border: 1px solid black; padding: 0 2px;">A</span>	+\$0	0	0	0	0
<b>98R</b>	recograin rosewood <span style="border: 1px solid black; padding: 0 2px;">A</span>	+\$0	0	0	0	0
<b>991</b>	champagne ash <span style="border: 1px solid black; padding: 0 2px;">A</span>	+\$0	0	0	0	0
<b>998</b>	ebony ash <span style="border: 1px solid black; padding: 0 2px;">A</span>	+\$0	0	0	0	0
<b>99A</b>	recograin frosty ash <span style="border: 1px solid black; padding: 0 2px;">A</span>	+\$0	0	0	0	0
<b>99R</b>	recograin rosewood <span style="border: 1px solid black; padding: 0 2px;">A</span>	+\$0	0	0	0	0
<b>99T</b>	recograin teak <span style="border: 1px solid black; padding: 0 2px;">A</span>	+\$0	0	0	0	0
<b>9A1</b>	white ash, quarter cut, low sheen <span style="border: 1px solid black; padding: 0 2px;">A</span>	+\$0	0	0	0	0
<b>9K1</b>	rift oak, rift cut, low sheen <span style="border: 1px solid black; padding: 0 2px;">A</span>	+\$0	0	0	0	0
<b>9K6</b>	burnt oak, rift cut, low sheen <span style="border: 1px solid black; padding: 0 2px;">A</span>	+\$0	0	0	0	0
<b>ED</b>	aged cherry <span style="border: 1px solid black; padding: 0 2px;">A</span>	+\$0	0	0	0	0
<b>EK</b>	medium red walnut <span style="border: 1px solid black; padding: 0 2px;">A</span>	+\$0	0	0	0	0
<b>G2U</b>	light brown walnut, low sheen <span style="border: 1px solid black; padding: 0 2px;">A</span>	+\$0	0	0	0	0
<b>G40</b>	dark brown walnut, low sheen <span style="border: 1px solid black; padding: 0 2px;">A</span>	+\$0	0	0	0	0
<b>UX</b>	walnut on cherry <span style="border: 1px solid black; padding: 0 2px;">A</span>	+\$0	0	0	0	0

# Sled Base Credenza Three Units Wide and Stone Top *continued*

## Premium Veneer - Matte

		-B2B2B2	-B2B2B4	-B2B3B4	-B2B4B4	-B4B4B4
<b>662</b>	toasted walnut, matte sheen <b>A</b>	+\$0	0	0	0	0
<b>663</b>	charred walnut, matte sheen <b>A</b>	+\$0	0	0	0	0
<b>664</b>	bronzed walnut, matte sheen <b>A</b>	+\$0	0	0	0	0
<b>665</b>	smoked walnut, matte sheen <b>A</b>	+\$0	0	0	0	0
<b>666</b>	coffee walnut, matte sheen <b>A</b>	+\$0	0	0	0	0
<b>667</b>	smoked paldao, quarter cut, matte sheen <b>A</b>	+\$1453	1547	1699	1641	1734
<b>669</b>	warm paldao, quarter cut, matte sheen <b>A</b>	+\$1453	1547	1699	1641	1734
<b>66A</b>	recograin frosty ash <b>A</b>	+\$0	0	0	0	0
<b>677</b>	chocolate ash, matte sheen <b>A</b>	+\$0	0	0	0	0
<b>678</b>	natural oak <b>A</b>	+\$0	0	0	0	0
<b>68R</b>	recograin rosewood <b>A</b>	+\$0	0	0	0	0
<b>69A</b>	recograin frosty ash <b>A</b>	+\$0	0	0	0	0
<b>69R</b>	recograin rosewood <b>A</b>	+\$0	0	0	0	0
<b>69T</b>	recograin teak <b>A</b>	+\$0	0	0	0	0
<b>6A1</b>	white ash <b>A</b>	+\$0	0	0	0	0
<b>6K1</b>	rift oak <b>A</b>	+\$0	0	0	0	0
<b>6K6</b>	burnt oak <b>A</b>	+\$0	0	0	0	0
<b>ET</b>	clear on ash <b>A</b>	+\$0	0	0	0	0
<b>EU</b>	oak on ash <b>A</b>	+\$0	0	0	0	0
<b>EV</b>	walnut on ash <b>A</b>	+\$0	0	0	0	0
<b>GOU</b>	natural walnut, flat cut, matte sheen <b>A</b>	+\$0	0	0	0	0

## RecoGrain Veneer

		-B2B2B2	-B2B2B4	-B2B3B4	-B2B4B4	-B4B4B4
<b>66G</b>	recograin wenge <b>A</b>	-\$485	-516	-567	-547	-578
<b>68W</b>	recograin walnut, flat cut, matte sheen <b>A</b>	-\$485	-516	-567	-547	-578
<b>69G</b>	recograin wenge <b>A</b>	-\$485	-516	-567	-547	-578
<b>69K</b>	recograin oak, quarter cut, matte sheen <b>A</b>	-\$485	-516	-567	-547	-578
<b>69W</b>	recograin walnut, quarter cut, matte sheen <b>A</b>	-\$485	-516	-567	-547	-578

## Recon Veneer -

		-B2B2B2	-B2B2B4	-B2B3B4	-B2B4B4	-B4B4B4
<b>96G</b>	wenge recograin, quarter cut, low sheen <b>A</b>	-\$485	-516	-567	-547	-578
<b>98W</b>	recograin walnut, flat cut, low sheen <b>A</b>	-\$485	-516	-567	-547	-578
<b>99G</b>	recograin wenge, quarter cut, low sheen <b>A</b>	-\$485	-516	-567	-547	-578
<b>99K</b>	recograin oak, quarter cut, low sheen <b>A</b>	-\$485	-516	-567	-547	-578
<b>99W</b>	recograin walnut, quarter cut, low sheen <b>A</b>	-\$485	-516	-567	-547	-578

## Step 5. Stone or Marble Top

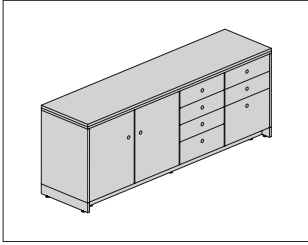
<b>200</b>	perfato marble <b>A</b>	+\$0
<b>250</b>	verde antique marble <b>A</b>	+\$0
<b>400</b>	black granite <b>A</b>	+\$0
<b>5U</b>	georgia grey marble <b>A</b>	+\$0
<b>800</b>	autumn brown granite <b>A</b>	+\$0
<b>960</b>	white carrara marble <b>A</b>	+\$0
<b>HR</b>	wisconsin black marble <b>A</b>	+\$0

## Step 6. Metal Finish

<b>BNZ</b>	bronze <b>A</b>	+\$0
<b>CHR</b>	chrome <b>A</b>	+\$0
<b>SAC</b>	satin chrome <b>A</b>	+\$0

Sled Base Credenza Four Units  
Wide and Stone Top

JCS4S



HermanMiller Collection—Storage

**Product Information**

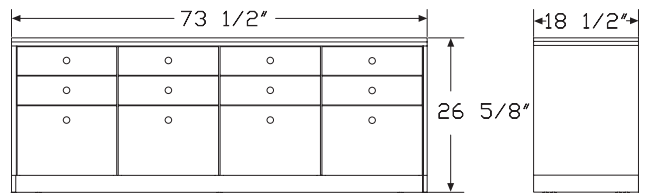
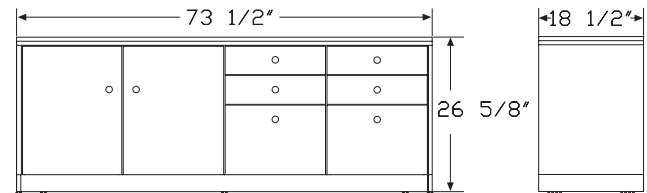
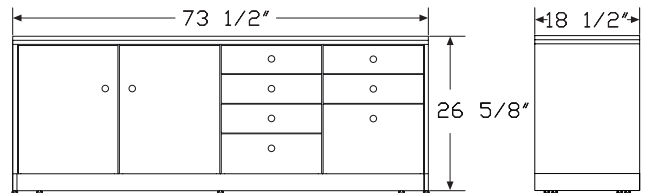
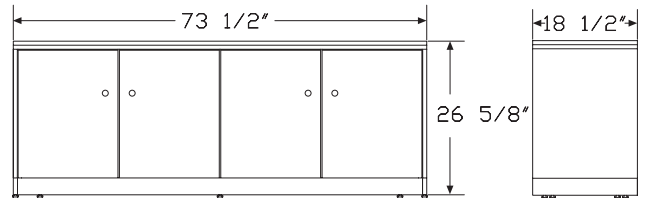
**Description**

This four-unit wide sled base credenza has a stone top and includes 3"-high metal base on the 3/4"-thick credenza gable. Storage unit is 18"-wide. Ward Bennett Flip pulls come in matching metal finish.

**Notes**

Sled base credenzas ship assembled.  
 Drawer credenzas include wood boxes and self-closing hidden drawer slides. Pencil tray and felt lining in bottom of drawer also included.  
 Santos palisander veneer is celebrated for its unique grain and color variations. Similar products ordered in multiples or dissimilar products ordered separately should be expected to have variation in both grain and color characteristics; no two products will look exactly alike.

**Dimensions**



# Sled Base Credenza Four Units

## Wide and Stone Top *continued*

### Specification Information

Step 1.

**JCS4S**

Step 2. Size

**-1974** 18<sup>1</sup>/<sub>2</sub>" deep x 73<sup>1</sup>/<sub>2</sub>" wide x 26<sup>5</sup>/<sub>8</sub>" high

Step 3. Configuration

**-B2B2B2B2** four single doors

**-B2B2B3B4** single door left, single door left center, four drawers right center, BBF right

**-B2B2B4B4** single door left, single door left center, BBF right center, BBF right

**-B4B4B4B4** four BBF

Prices for Steps 1-3.

**-B2B2B2B2 -B2B2B3B4 -B2B2B4B4 -B4B4B4B4**

**JCS4S -1974** \$13042 14731 14332 15621

Step 4. Wood Finish

Premium Veneer - Low Sheen

**-B2B2B2B2 -B2B2B3B4 -B2B2B4B4 -B4B4B4B4**

<b>931</b>	champagne anigre (natural) <input type="checkbox"/>	+\$2318	2618	2547 2777
<b>932</b>	sundance anigre <input type="checkbox"/>	+\$2318	2618	2547 2777
<b>933</b>	caramel anigre <input type="checkbox"/>	+\$2318	2618	2547 2777
<b>934</b>	henna anigre <input type="checkbox"/>	+\$2318	2618	2547 2777
<b>941</b>	natural beech <input type="checkbox"/>	+\$0	0	0 0
<b>942</b>	sundance cherry (natural) <input type="checkbox"/>	+\$0	0	0 0
<b>943</b>	caramel cherry <input type="checkbox"/>	+\$0	0	0 0
<b>946</b>	cocoa cherry <input type="checkbox"/>	+\$0	0	0 0
<b>951</b>	natural anigre <input type="checkbox"/>	+\$5066	5721	5566 6067
<b>956</b>	cocoa sapele <input type="checkbox"/>	+\$0	0	0 0
<b>962</b>	toasted walnut, low sheen <input type="checkbox"/>	+\$0	0	0 0
<b>963</b>	charred walnut, low sheen <input type="checkbox"/>	+\$0	0	0 0
<b>964</b>	bronzed walnut, low sheen <input type="checkbox"/>	+\$0	0	0 0
<b>965</b>	smoked walnut, low sheen <input type="checkbox"/>	+\$0	0	0 0
<b>966</b>	coffee walnut, low sheen <input type="checkbox"/>	+\$0	0	0 0
<b>967</b>	smoked paldao, low sheen <input type="checkbox"/>	+\$1900	2146	2088 2276
<b>969</b>	warm paldao, low sheen <input type="checkbox"/>	+\$1900	2146	2088 2276

<b>977</b>	chocolate ash, low sheen <input type="checkbox"/>	+\$0	0	0 0
<b>978</b>	natural oak <input type="checkbox"/>	+\$0	0	0 0
<b>981</b>	champagne hickory (natural) <input type="checkbox"/>	+\$0	0	0 0
<b>98R</b>	recograin rosewood <input type="checkbox"/>	+\$0	0	0 0
<b>991</b>	champagne ash <input type="checkbox"/>	+\$0	0	0 0
<b>998</b>	ebony ash <input type="checkbox"/>	+\$0	0	0 0
<b>99A</b>	recograin frosty ash <input type="checkbox"/>	+\$0	0	0 0
<b>99R</b>	recograin rosewood <input type="checkbox"/>	+\$0	0	0 0
<b>99T</b>	recograin teak <input type="checkbox"/>	+\$0	0	0 0
<b>9A1</b>	white ash, quarter cut, low sheen <input type="checkbox"/>	+\$0	0	0 0
<b>9K1</b>	rift oak, rift cut, low sheen <input type="checkbox"/>	+\$0	0	0 0
<b>9K6</b>	burnt oak, rift cut, low sheen <input type="checkbox"/>	+\$0	0	0 0
<b>ED</b>	aged cherry <input type="checkbox"/>	+\$0	0	0 0
<b>EK</b>	medium red walnut <input type="checkbox"/>	+\$0	0	0 0
<b>G2U</b>	light brown walnut, low sheen <input type="checkbox"/>	+\$0	0	0 0
<b>G40</b>	dark brown walnut, low sheen <input type="checkbox"/>	+\$0	0	0 0
<b>UX</b>	walnut on cherry <input type="checkbox"/>	+\$0	0	0 0

# Sled Base Credenza Four Units

## Wide and Stone Top *continued*

Premium Veneer - Matte		-B2B2B2B2	-B2B2B3B4	-B2B2B4B4	-B4B4B4B4
<b>662</b>	toasted walnut, matte sheen <span style="border: 1px solid black; padding: 0 2px;">A</span>	+\$0	0	0	0
<b>663</b>	charred walnut, matte sheen <span style="border: 1px solid black; padding: 0 2px;">A</span>	+\$0	0	0	0
<b>664</b>	bronzed walnut, matte sheen <span style="border: 1px solid black; padding: 0 2px;">A</span>	+\$0	0	0	0
<b>665</b>	smoked walnut, matte sheen <span style="border: 1px solid black; padding: 0 2px;">A</span>	+\$0	0	0	0
<b>666</b>	coffee walnut, matte sheen <span style="border: 1px solid black; padding: 0 2px;">A</span>	+\$0	0	0	0
<b>667</b>	smoked paldao, quarter cut, matte sheen <span style="border: 1px solid black; padding: 0 2px;">A</span>	+\$1900	2146	2088	2276
<b>669</b>	warm paldao, quarter cut, matte sheen <span style="border: 1px solid black; padding: 0 2px;">A</span>	+\$1900	2146	2088	2276
<b>66A</b>	recograin frosty ash <span style="border: 1px solid black; padding: 0 2px;">A</span>	+\$0	0	0	0
<b>677</b>	chocolate ash, matte sheen <span style="border: 1px solid black; padding: 0 2px;">A</span>	+\$0	0	0	0
<b>678</b>	natural oak <span style="border: 1px solid black; padding: 0 2px;">A</span>	+\$0	0	0	0
<b>68R</b>	recograin rosewood <span style="border: 1px solid black; padding: 0 2px;">A</span>	+\$0	0	0	0
<b>69A</b>	recograin frosty ash <span style="border: 1px solid black; padding: 0 2px;">A</span>	+\$0	0	0	0
<b>69R</b>	recograin rosewood <span style="border: 1px solid black; padding: 0 2px;">A</span>	+\$0	0	0	0
<b>69T</b>	recograin teak <span style="border: 1px solid black; padding: 0 2px;">A</span>	+\$0	0	0	0
<b>6A1</b>	white ash <span style="border: 1px solid black; padding: 0 2px;">A</span>	+\$0	0	0	0
<b>6K1</b>	rift oak <span style="border: 1px solid black; padding: 0 2px;">A</span>	+\$0	0	0	0
<b>6K6</b>	burnt oak <span style="border: 1px solid black; padding: 0 2px;">A</span>	+\$0	0	0	0
<b>ET</b>	clear on ash <span style="border: 1px solid black; padding: 0 2px;">A</span>	+\$0	0	0	0
<b>EU</b>	oak on ash <span style="border: 1px solid black; padding: 0 2px;">A</span>	+\$0	0	0	0
<b>EV</b>	walnut on ash <span style="border: 1px solid black; padding: 0 2px;">A</span>	+\$0	0	0	0
<b>GOU</b>	natural walnut, flat cut, matte sheen <span style="border: 1px solid black; padding: 0 2px;">A</span>	+\$0	0	0	0

RecoGrain Veneer		-B2B2B2B2	-B2B2B3B4	-B2B2B4B4	-B4B4B4B4
<b>66G</b>	recograin wenge <span style="border: 1px solid black; padding: 0 2px;">A</span>	-\$634	-716	-696	-759
<b>68W</b>	recograin walnut, flat cut, matte sheen <span style="border: 1px solid black; padding: 0 2px;">A</span>	-\$634	-716	-696	-759
<b>69G</b>	recograin wenge <span style="border: 1px solid black; padding: 0 2px;">A</span>	-\$634	-716	-696	-759
<b>69K</b>	recograin oak, quarter cut, matte sheen <span style="border: 1px solid black; padding: 0 2px;">A</span>	-\$634	-716	-696	-759
<b>69W</b>	recograin walnut, quarter cut, matte sheen <span style="border: 1px solid black; padding: 0 2px;">A</span>	-\$634	-716	-696	-759

Recon Veneer -		-B2B2B2B2	-B2B2B3B4	-B2B2B4B4	-B4B4B4B4
<b>96G</b>	wenge recograin, quarter cut, low sheen <span style="border: 1px solid black; padding: 0 2px;">A</span>	-\$634	-716	-696	-759
<b>98W</b>	recograin walnut, flat cut, low sheen <span style="border: 1px solid black; padding: 0 2px;">A</span>	-\$634	-716	-696	-759
<b>99G</b>	recograin wenge, quarter cut, low sheen <span style="border: 1px solid black; padding: 0 2px;">A</span>	-\$634	-716	-696	-759
<b>99K</b>	recograin oak, quarter cut, low sheen <span style="border: 1px solid black; padding: 0 2px;">A</span>	-\$634	-716	-696	-759
<b>99W</b>	recograin walnut, quarter cut, low sheen <span style="border: 1px solid black; padding: 0 2px;">A</span>	-\$634	-716	-696	-759

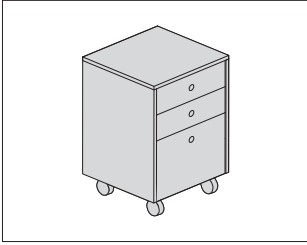
Step 5. Stone or Marble Top		
<b>200</b>	perfato marble <span style="border: 1px solid black; padding: 0 2px;">A</span>	+\$0
<b>250</b>	verde antique marble <span style="border: 1px solid black; padding: 0 2px;">A</span>	+\$0
<b>400</b>	black granite <span style="border: 1px solid black; padding: 0 2px;">A</span>	+\$0
<b>5U</b>	georgia grey marble <span style="border: 1px solid black; padding: 0 2px;">A</span>	+\$0
<b>800</b>	autumn brown granite <span style="border: 1px solid black; padding: 0 2px;">A</span>	+\$0
<b>960</b>	white carrara marble <span style="border: 1px solid black; padding: 0 2px;">A</span>	+\$0
<b>HR</b>	wisconsin black marble <span style="border: 1px solid black; padding: 0 2px;">A</span>	+\$0

Step 6. Metal Finish		
<b>BNZ</b>	bronze <span style="border: 1px solid black; padding: 0 2px;">A</span>	+\$0
<b>CHR</b>	chrome <span style="border: 1px solid black; padding: 0 2px;">A</span>	+\$0
<b>SAC</b>	satin chrome <span style="border: 1px solid black; padding: 0 2px;">A</span>	+\$0



# Sled Base Mobile Pedestal

JMS1-



## Product Information

### Description

This one-unit wide mobile pedestal has a wood top with metal frame. The casters are black with a silver yoke and no brake. Drawers include wood boxes and self-closing hidden drawer slides. Ward Bennett Flip Pull comes in matching metal finish.

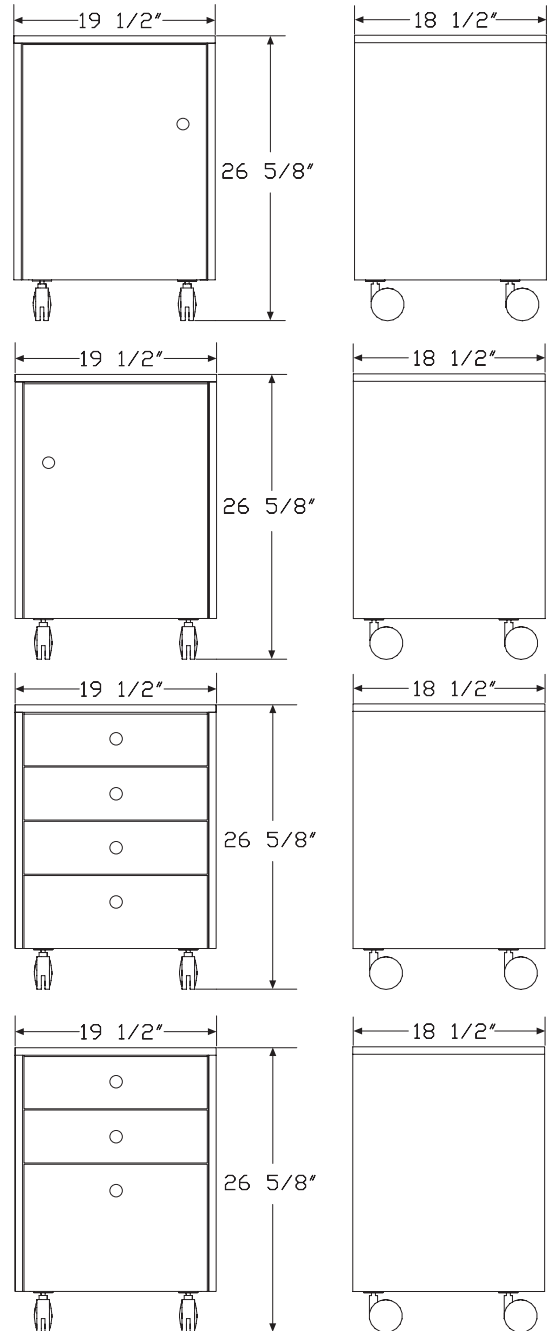
### Notes

Mobile credenzas ship assembled.

B3 and B4 box drawers include pencil tray and felt lining in bottom of top drawer.

Santos palisander veneer is celebrated for its unique grain and color variations. Similar products ordered in multiples or dissimilar products ordered separately should be expected to have variation in both grain and color characteristics; no two products will look exactly alike.

## Dimensions



Sled Base Mobile Pedestal *continued*

**Specification Information**

Step 1.

**JMS1** A

Step 2. Size

**-1920** 18<sup>1</sup>/<sub>2</sub>" deep x 19<sup>1</sup>/<sub>2</sub>" wide x 26<sup>5</sup>/<sub>8</sub>" high A

Step 3. Configuration

**-B2L** single door, hinged left A

**-B2R** single door, hinged right A

**-B3** four box drawer A

**-B4** box, box, file A

Prices for Steps 1-3.

<b>JMS1-1920 -B2L</b>	\$3095
<b>-B2R</b>	\$3095
<b>-B3</b>	\$4141
<b>-B4</b>	\$3740

Step 4. Wood Finish

Premium Veneer - Low Sheen

	-B2L	-B2R	-B3	-B4
<b>931</b> champagne anigre (natural) <span style="border: 1px solid black; padding: 0 2px;">A</span>	+\$550	550	736	665
<b>932</b> sundance anigre <span style="border: 1px solid black; padding: 0 2px;">A</span>	+\$550	550	736	665
<b>933</b> caramel anigre <span style="border: 1px solid black; padding: 0 2px;">A</span>	+\$550	550	736	665
<b>934</b> henna anigre <span style="border: 1px solid black; padding: 0 2px;">A</span>	+\$550	550	736	665
<b>941</b> natural beech <span style="border: 1px solid black; padding: 0 2px;">A</span>	+\$0	0	0	0
<b>942</b> sundance cherry (natural) <span style="border: 1px solid black; padding: 0 2px;">A</span>	+\$0	0	0	0
<b>943</b> caramel cherry <span style="border: 1px solid black; padding: 0 2px;">A</span>	+\$0	0	0	0
<b>946</b> cocoa cherry <span style="border: 1px solid black; padding: 0 2px;">A</span>	+\$0	0	0	0
<b>951</b> natural anigre <span style="border: 1px solid black; padding: 0 2px;">A</span>	+\$1203	1203	1608	1454
<b>956</b> cocoa sapele <span style="border: 1px solid black; padding: 0 2px;">A</span>	+\$0	0	0	0
<b>962</b> toasted walnut, low sheen <span style="border: 1px solid black; padding: 0 2px;">A</span>	+\$0	0	0	0
<b>963</b> charred walnut, low sheen <span style="border: 1px solid black; padding: 0 2px;">A</span>	+\$0	0	0	0
<b>964</b> bronzed walnut, low sheen <span style="border: 1px solid black; padding: 0 2px;">A</span>	+\$0	0	0	0
<b>965</b> smoked walnut, low sheen <span style="border: 1px solid black; padding: 0 2px;">A</span>	+\$0	0	0	0
<b>966</b> coffee walnut, low sheen <span style="border: 1px solid black; padding: 0 2px;">A</span>	+\$0	0	0	0
<b>967</b> smoked paldao, low sheen <span style="border: 1px solid black; padding: 0 2px;">A</span>	+\$451	451	603	545
<b>969</b> warm paldao, low sheen <span style="border: 1px solid black; padding: 0 2px;">A</span>	+\$451	451	603	545

<b>977</b> chocolate ash, low sheen <span style="border: 1px solid black; padding: 0 2px;">A</span>	+\$0	0	0	0
<b>978</b> natural oak <span style="border: 1px solid black; padding: 0 2px;">A</span>	+\$0	0	0	0
<b>981</b> champagne hickory (natural) <span style="border: 1px solid black; padding: 0 2px;">A</span>	+\$0	0	0	0
<b>98R</b> recograin rosewood <span style="border: 1px solid black; padding: 0 2px;">A</span>	+\$0	0	0	0
<b>991</b> champagne ash <span style="border: 1px solid black; padding: 0 2px;">A</span>	+\$0	0	0	0
<b>998</b> ebony ash <span style="border: 1px solid black; padding: 0 2px;">A</span>	+\$0	0	0	0
<b>99A</b> recograin frosty ash <span style="border: 1px solid black; padding: 0 2px;">A</span>	+\$0	0	0	0
<b>99R</b> recograin rosewood <span style="border: 1px solid black; padding: 0 2px;">A</span>	+\$0	0	0	0
<b>99T</b> recograin teak <span style="border: 1px solid black; padding: 0 2px;">A</span>	+\$0	0	0	0
<b>9A1</b> white ash, quarter cut, low sheen <span style="border: 1px solid black; padding: 0 2px;">A</span>	+\$0	0	0	0
<b>9K1</b> rift oak, rift cut, low sheen <span style="border: 1px solid black; padding: 0 2px;">A</span>	+\$0	0	0	0
<b>9K6</b> burnt oak, rift cut, low sheen <span style="border: 1px solid black; padding: 0 2px;">A</span>	+\$0	0	0	0
<b>ED</b> aged cherry <span style="border: 1px solid black; padding: 0 2px;">A</span>	+\$0	0	0	0
<b>EK</b> medium red walnut <span style="border: 1px solid black; padding: 0 2px;">A</span>	+\$0	0	0	0
<b>G2U</b> light brown walnut, low sheen <span style="border: 1px solid black; padding: 0 2px;">A</span>	+\$0	0	0	0
<b>G40</b> dark brown walnut, low sheen <span style="border: 1px solid black; padding: 0 2px;">A</span>	+\$0	0	0	0
<b>UX</b> walnut on cherry <span style="border: 1px solid black; padding: 0 2px;">A</span>	+\$0	0	0	0

Sled Base Mobile Pedestal *continued*

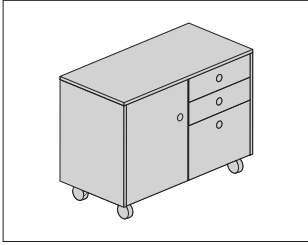
Premium Veneer - Matte		-B2L	-B2R	-B3	-B4
<b>662</b>	toasted walnut, matte sheen <span style="border: 1px solid black; padding: 0 2px;">A</span>	+\$0	0	0	0
<b>663</b>	charred walnut, matte sheen <span style="border: 1px solid black; padding: 0 2px;">A</span>	+\$0	0	0	0
<b>664</b>	bronzed walnut, matte sheen <span style="border: 1px solid black; padding: 0 2px;">A</span>	+\$0	0	0	0
<b>665</b>	smoked walnut, matte sheen <span style="border: 1px solid black; padding: 0 2px;">A</span>	+\$0	0	0	0
<b>666</b>	coffee walnut, matte sheen <span style="border: 1px solid black; padding: 0 2px;">A</span>	+\$0	0	0	0
<b>667</b>	smoked paldao, quarter cut, matte sheen <span style="border: 1px solid black; padding: 0 2px;">A</span>	+\$451	451	603	545
<b>669</b>	warm paldao, quarter cut, matte sheen <span style="border: 1px solid black; padding: 0 2px;">A</span>	+\$451	451	603	545
<b>66A</b>	recograin frosty ash <span style="border: 1px solid black; padding: 0 2px;">A</span>	+\$0	0	0	0
<b>677</b>	chocolate ash, matte sheen <span style="border: 1px solid black; padding: 0 2px;">A</span>	+\$0	0	0	0
<b>678</b>	natural oak <span style="border: 1px solid black; padding: 0 2px;">A</span>	+\$0	0	0	0
<b>68R</b>	recograin rosewood <span style="border: 1px solid black; padding: 0 2px;">A</span>	+\$0	0	0	0
<b>69A</b>	recograin frosty ash <span style="border: 1px solid black; padding: 0 2px;">A</span>	+\$0	0	0	0
<b>69R</b>	recograin rosewood <span style="border: 1px solid black; padding: 0 2px;">A</span>	+\$0	0	0	0
<b>69T</b>	recograin teak <span style="border: 1px solid black; padding: 0 2px;">A</span>	+\$0	0	0	0
<b>6A1</b>	white ash <span style="border: 1px solid black; padding: 0 2px;">A</span>	+\$0	0	0	0
<b>6K1</b>	rift oak <span style="border: 1px solid black; padding: 0 2px;">A</span>	+\$0	0	0	0
<b>6K6</b>	burnt oak <span style="border: 1px solid black; padding: 0 2px;">A</span>	+\$0	0	0	0
<b>ET</b>	clear on ash <span style="border: 1px solid black; padding: 0 2px;">A</span>	+\$0	0	0	0
<b>EU</b>	oak on ash <span style="border: 1px solid black; padding: 0 2px;">A</span>	+\$0	0	0	0
<b>EV</b>	walnut on ash <span style="border: 1px solid black; padding: 0 2px;">A</span>	+\$0	0	0	0
<b>GOU</b>	natural walnut, flat cut, matte sheen <span style="border: 1px solid black; padding: 0 2px;">A</span>	+\$0	0	0	0

RecoGrain Veneer		-B2L	-B2R	-B3	-B4
<b>66G</b>	recograin wenge <span style="border: 1px solid black; padding: 0 2px;">A</span>	-\$151	-151	-201	-182
<b>68W</b>	recograin walnut, flat cut, matte sheen <span style="border: 1px solid black; padding: 0 2px;">A</span>	-\$151	-151	-201	-182
<b>69G</b>	recograin wenge <span style="border: 1px solid black; padding: 0 2px;">A</span>	-\$151	-151	-201	-182
<b>69K</b>	recograin oak, quarter cut, matte sheen <span style="border: 1px solid black; padding: 0 2px;">A</span>	-\$151	-151	-201	-182
<b>69W</b>	recograin walnut, quarter cut, matte sheen <span style="border: 1px solid black; padding: 0 2px;">A</span>	-\$151	-151	-201	-182

Recon Veneer -		-B2L	-B2R	-B3	-B4
<b>96G</b>	wenge recograin, quarter cut, low sheen <span style="border: 1px solid black; padding: 0 2px;">A</span>	-\$151	-151	-201	-182
<b>98W</b>	recograin walnut, flat cut, low sheen <span style="border: 1px solid black; padding: 0 2px;">A</span>	-\$151	-151	-201	-182
<b>99G</b>	recograin wenge, quarter cut, low sheen <span style="border: 1px solid black; padding: 0 2px;">A</span>	-\$151	-151	-201	-182
<b>99K</b>	recograin oak, quarter cut, low sheen <span style="border: 1px solid black; padding: 0 2px;">A</span>	-\$151	-151	-201	-182
<b>99W</b>	recograin walnut, quarter cut, low sheen <span style="border: 1px solid black; padding: 0 2px;">A</span>	-\$151	-151	-201	-182

Step 5. Metal Finish					
<b>BNZ</b>	bronze <span style="border: 1px solid black; padding: 0 2px;">A</span>				+\$0
<b>CHR</b>	chrome <span style="border: 1px solid black; padding: 0 2px;">A</span>				+\$0
<b>SAC</b>	satin chrome <span style="border: 1px solid black; padding: 0 2px;">A</span>				+\$0

HermanMiller Collection—Storage



**Product Information**

**Description**

This two-unit wide mobile pedestal has a wood top with metal frame. The casters are black with a silver yoke and no brake. Drawers include wood boxes and self-closing hidden drawer slides. Ward Bennett Flip pulls come in matching metal finish.

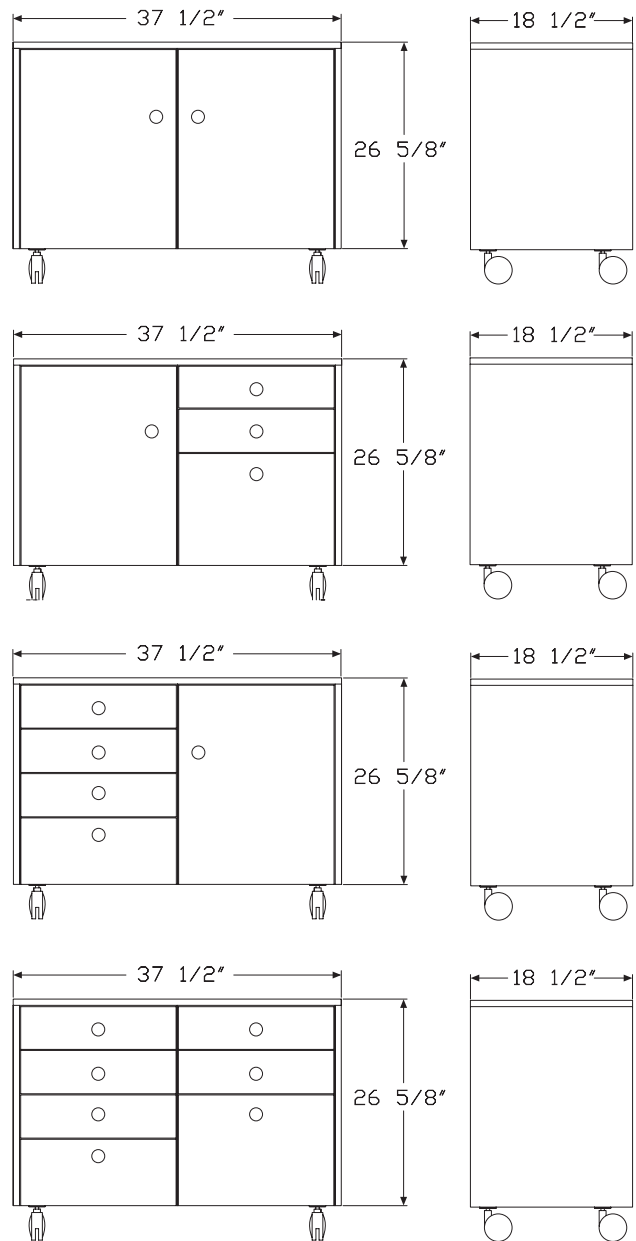
**Notes**

Mobile credenzas ship assembled.

B3 and B4 box drawers include pencil tray and felt lining in bottom of top drawer.

Santos palisander veneer is celebrated for its unique grain and color variations. Similar products ordered in multiples or dissimilar products ordered separately should be expected to have variation in both grain and color characteristics; no two products will look exactly alike.

**Dimensions**



Sled Base Mobile Credenza *continued*

**Specification Information**

Step 1.

**JMS2**

Step 2. Size

**-1938** 18<sup>1</sup>/<sub>2</sub>" deep x 37<sup>1</sup>/<sub>2</sub>" wide x 26<sup>5</sup>/<sub>8</sub>" high

Step 3. Configuration

**-B2B2** two doors

**-B2B4** single door left, BBF right

**-B3B2** four drawers left, single door right

**-B3B4** four drawers left, BBF right

Prices for Steps 1-3.

<b>JMS2-1938 -B2B2</b>	\$5185
<b>-B2B4</b>	\$5831
<b>-B3B2</b>	\$6231
<b>-B3B4</b>	\$6877

Step 4. Wood Finish

Premium Veneer - Low Sheen

	<b>-B2B2</b>	<b>-B2B4</b>	<b>-B3B2</b>	<b>-B3B4</b>
<b>931</b> champagne anigre (natural) <input type="checkbox"/>	+\$922	1036	1107	1222
<b>932</b> sundance anigre <input type="checkbox"/>	+\$922	1036	1107	1222
<b>933</b> caramel anigre <input type="checkbox"/>	+\$922	1036	1107	1222
<b>934</b> henna anigre <input type="checkbox"/>	+\$922	1036	1107	1222
<b>941</b> natural beech <input type="checkbox"/>	+\$0	0	0	0
<b>942</b> sundance cherry (natural) <input type="checkbox"/>	+\$0	0	0	0
<b>943</b> caramel cherry <input type="checkbox"/>	+\$0	0	0	0
<b>946</b> cocoa cherry <input type="checkbox"/>	+\$0	0	0	0
<b>951</b> natural anigre <input type="checkbox"/>	+\$2014	2265	2420	2671
<b>956</b> cocoa sapele <input type="checkbox"/>	+\$0	0	0	0
<b>962</b> toasted walnut, low sheen <input type="checkbox"/>	+\$0	0	0	0
<b>963</b> charred walnut, low sheen <input type="checkbox"/>	+\$0	0	0	0
<b>964</b> bronzed walnut, low sheen <input type="checkbox"/>	+\$0	0	0	0
<b>965</b> smoked walnut, low sheen <input type="checkbox"/>	+\$0	0	0	0
<b>966</b> coffee walnut, low sheen <input type="checkbox"/>	+\$0	0	0	0
<b>967</b> smoked paldao, low sheen <input type="checkbox"/>	+\$756	850	908	1002
<b>969</b> warm paldao, low sheen <input type="checkbox"/>	+\$756	850	908	1002

<b>977</b> chocolate ash, low sheen <input type="checkbox"/>	+\$0	0	0	0
<b>978</b> natural oak <input type="checkbox"/>	+\$0	0	0	0
<b>981</b> champagne hickory (natural) <input type="checkbox"/>	+\$0	0	0	0
<b>98R</b> recograin rosewood <input type="checkbox"/>	+\$0	0	0	0
<b>991</b> champagne ash <input type="checkbox"/>	+\$0	0	0	0
<b>998</b> ebony ash <input type="checkbox"/>	+\$0	0	0	0
<b>99A</b> recograin frosty ash <input type="checkbox"/>	+\$0	0	0	0
<b>99R</b> recograin rosewood <input type="checkbox"/>	+\$0	0	0	0
<b>99T</b> recograin teak <input type="checkbox"/>	+\$0	0	0	0
<b>9A1</b> white ash, quarter cut, low sheen <input type="checkbox"/>	+\$0	0	0	0
<b>9K1</b> rift oak, rift cut, low sheen <input type="checkbox"/>	+\$0	0	0	0
<b>9K6</b> burnt oak, rift cut, low sheen <input type="checkbox"/>	+\$0	0	0	0
<b>ED</b> aged cherry <input type="checkbox"/>	+\$0	0	0	0
<b>EK</b> medium red walnut <input type="checkbox"/>	+\$0	0	0	0
<b>G2U</b> light brown walnut, low sheen <input type="checkbox"/>	+\$0	0	0	0
<b>G40</b> dark brown walnut, low sheen <input type="checkbox"/>	+\$0	0	0	0
<b>UX</b> walnut on cherry <input type="checkbox"/>	+\$0	0	0	0

# Sled Base Mobile Credenza *continued*

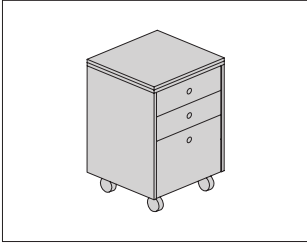
Premium Veneer - Matte		-B2B2	-B2B4	-B3B2	-B3B4
662	toasted walnut, matte sheen <span style="border: 1px solid black; padding: 0 2px;">A</span>	+\$0	0	0	0
663	charred walnut, matte sheen <span style="border: 1px solid black; padding: 0 2px;">A</span>	+\$0	0	0	0
664	bronzed walnut, matte sheen <span style="border: 1px solid black; padding: 0 2px;">A</span>	+\$0	0	0	0
665	smoked walnut, matte sheen <span style="border: 1px solid black; padding: 0 2px;">A</span>	+\$0	0	0	0
666	coffee walnut, matte sheen <span style="border: 1px solid black; padding: 0 2px;">A</span>	+\$0	0	0	0
667	smoked paldao, quarter cut, matte sheen <span style="border: 1px solid black; padding: 0 2px;">A</span>	+\$756	850	908	1002
669	warm paldao, quarter cut, matte sheen <span style="border: 1px solid black; padding: 0 2px;">A</span>	+\$756	850	908	1002
66A	recograin frosty ash <span style="border: 1px solid black; padding: 0 2px;">A</span>	+\$0	0	0	0
677	chocolate ash, matte sheen <span style="border: 1px solid black; padding: 0 2px;">A</span>	+\$0	0	0	0
678	natural oak <span style="border: 1px solid black; padding: 0 2px;">A</span>	+\$0	0	0	0
68R	recograin rosewood <span style="border: 1px solid black; padding: 0 2px;">A</span>	+\$0	0	0	0
69A	recograin frosty ash <span style="border: 1px solid black; padding: 0 2px;">A</span>	+\$0	0	0	0
69R	recograin rosewood <span style="border: 1px solid black; padding: 0 2px;">A</span>	+\$0	0	0	0
69T	recograin teak <span style="border: 1px solid black; padding: 0 2px;">A</span>	+\$0	0	0	0
6A1	white ash <span style="border: 1px solid black; padding: 0 2px;">A</span>	+\$0	0	0	0
6K1	rift oak <span style="border: 1px solid black; padding: 0 2px;">A</span>	+\$0	0	0	0
6K6	burnt oak <span style="border: 1px solid black; padding: 0 2px;">A</span>	+\$0	0	0	0
ET	clear on ash <span style="border: 1px solid black; padding: 0 2px;">A</span>	+\$0	0	0	0
EU	oak on ash <span style="border: 1px solid black; padding: 0 2px;">A</span>	+\$0	0	0	0
EV	walnut on ash <span style="border: 1px solid black; padding: 0 2px;">A</span>	+\$0	0	0	0
GOU	natural walnut, flat cut, matte sheen <span style="border: 1px solid black; padding: 0 2px;">A</span>	+\$0	0	0	0

RecoGrain Veneer		-B2B2	-B2B4	-B3B2	-B3B4
66G	recograin wenge <span style="border: 1px solid black; padding: 0 2px;">A</span>	-\$252	-284	-303	-334
68W	recograin walnut, flat cut, matte sheen <span style="border: 1px solid black; padding: 0 2px;">A</span>	-\$252	-284	-303	-334
69G	recograin wenge <span style="border: 1px solid black; padding: 0 2px;">A</span>	-\$252	-284	-303	-334
69K	recograin oak, quarter cut, matte sheen <span style="border: 1px solid black; padding: 0 2px;">A</span>	-\$252	-284	-303	-334
69W	recograin walnut, quarter cut, matte sheen <span style="border: 1px solid black; padding: 0 2px;">A</span>	-\$252	-284	-303	-334

Recon Veneer -		-B2B2	-B2B4	-B3B2	-B3B4
96G	wenge recograin, quarter cut, low sheen <span style="border: 1px solid black; padding: 0 2px;">A</span>	-\$252	-284	-303	-334
98W	recograin walnut, flat cut, low sheen <span style="border: 1px solid black; padding: 0 2px;">A</span>	-\$252	-284	-303	-334
99G	recograin wenge, quarter cut, low sheen <span style="border: 1px solid black; padding: 0 2px;">A</span>	-\$252	-284	-303	-334
99K	recograin oak, quarter cut, low sheen <span style="border: 1px solid black; padding: 0 2px;">A</span>	-\$252	-284	-303	-334
99W	recograin walnut, quarter cut, low sheen <span style="border: 1px solid black; padding: 0 2px;">A</span>	-\$252	-284	-303	-334

Step 5. Metal Finish			
BNZ	bronze <span style="border: 1px solid black; padding: 0 2px;">A</span>		+\$0
CHR	chrome <span style="border: 1px solid black; padding: 0 2px;">A</span>		+\$0
SAC	satin chrome <span style="border: 1px solid black; padding: 0 2px;">A</span>		+\$0

Sled Base Mobile Pedestal Stone Top JMS1S  
Top



**Product Information**

**Description**

This one-unit wide mobile pedestal has a stone top with metal frame. Drawers include wood boxes and self-closing hidden drawer slides. The casters are black with a silver yoke and no brake. Ward Bennett Flip pull comes in matching metal finish.

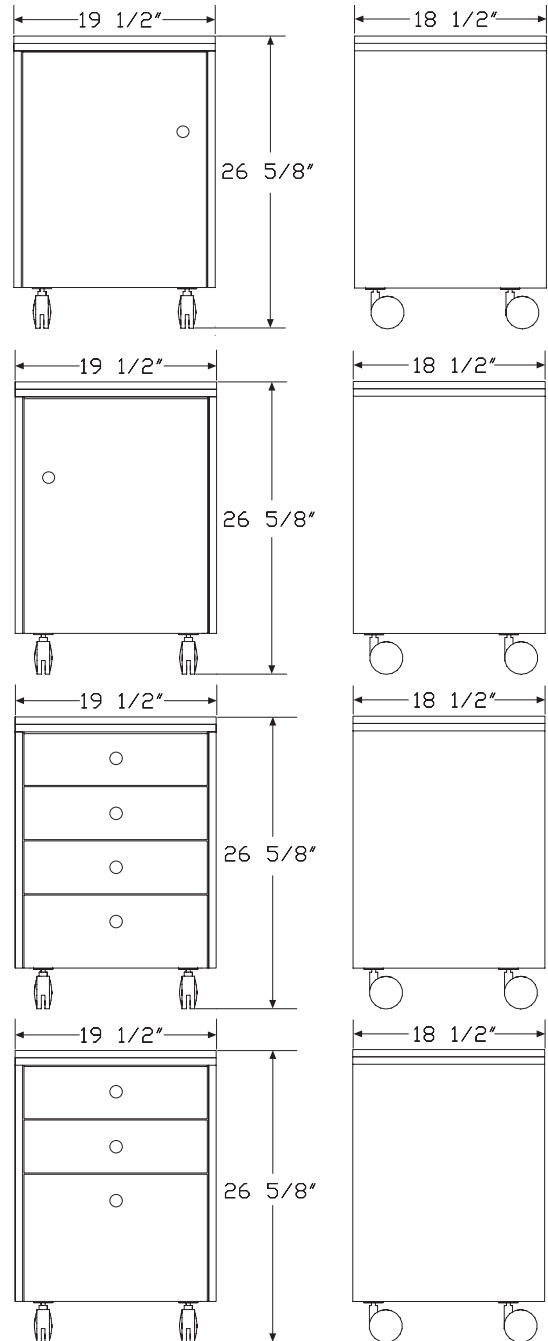
**Notes**

Mobile credenzas ship assembled.

B3 and B4 box drawers include pencil tray and felt lining in bottom of top drawer.

Santos palisander veneer is celebrated for its unique grain and color variations. Similar products ordered in multiples or dissimilar products ordered separately should be expected to have variation in both grain and color characteristics; no two products will look exactly alike.

**Dimensions**



# Sled Base Mobile Pedestal Stone

Top *continued*

HermanMiller Collection—Storage

## Specification Information

Step 1.

**JMS1S** A

Step 2. Size

**-1920** 18<sup>1</sup>/<sub>2</sub>" deep x 19<sup>1</sup>/<sub>2</sub>" wide x 26<sup>5</sup>/<sub>8</sub>" high A

Step 3. Configuration

**-B2L** single door, hinged left A

**-B2R** single door, hinged right A

**-B3** four box drawer A

**-B4** box, box, file A

Prices for Steps 1-3.

	<b>-B2L</b>	<b>-B2R</b>	<b>-B3</b>	<b>-B4</b>
<b>JMS1S -1920</b>	\$4103	4103	5146	4748

Step 4. Wood Finish

Premium Veneer - Low Sheen

	<b>-B2L</b>	<b>-B2R</b>	<b>-B3</b>	<b>-B4</b>
<b>931</b> champagne anigre (natural) <span style="border: 1px solid black; padding: 0 2px;">A</span>	+\$729	729	915	844
<b>932</b> sundance anigre <span style="border: 1px solid black; padding: 0 2px;">A</span>	+\$729	729	915	844
<b>933</b> caramel anigre <span style="border: 1px solid black; padding: 0 2px;">A</span>	+\$729	729	915	844
<b>934</b> henna anigre <span style="border: 1px solid black; padding: 0 2px;">A</span>	+\$729	729	915	844
<b>941</b> natural beech <span style="border: 1px solid black; padding: 0 2px;">A</span>	+\$0	0	0	0
<b>942</b> sundance cherry (natural) <span style="border: 1px solid black; padding: 0 2px;">A</span>	+\$0	0	0	0
<b>943</b> caramel cherry <span style="border: 1px solid black; padding: 0 2px;">A</span>	+\$0	0	0	0
<b>946</b> cocoa cherry <span style="border: 1px solid black; padding: 0 2px;">A</span>	+\$0	0	0	0
<b>951</b> natural anigre <span style="border: 1px solid black; padding: 0 2px;">A</span>	+\$1594	1594	1999	1844
<b>956</b> cocoa sapele <span style="border: 1px solid black; padding: 0 2px;">A</span>	+\$0	0	0	0
<b>962</b> toasted walnut, low sheen <span style="border: 1px solid black; padding: 0 2px;">A</span>	+\$0	0	0	0
<b>963</b> charred walnut, low sheen <span style="border: 1px solid black; padding: 0 2px;">A</span>	+\$0	0	0	0
<b>964</b> bronzed walnut, low sheen <span style="border: 1px solid black; padding: 0 2px;">A</span>	+\$0	0	0	0
<b>965</b> smoked walnut, low sheen <span style="border: 1px solid black; padding: 0 2px;">A</span>	+\$0	0	0	0
<b>966</b> coffee walnut, low sheen <span style="border: 1px solid black; padding: 0 2px;">A</span>	+\$0	0	0	0
<b>967</b> smoked paldao, low sheen <span style="border: 1px solid black; padding: 0 2px;">A</span>	+\$598	598	750	692
<b>969</b> warm paldao, low sheen <span style="border: 1px solid black; padding: 0 2px;">A</span>	+\$598	598	750	692
<b>977</b> chocolate ash, low sheen <span style="border: 1px solid black; padding: 0 2px;">A</span>	+\$0	0	0	0
<b>978</b> natural oak <span style="border: 1px solid black; padding: 0 2px;">A</span>	+\$0	0	0	0

<b>981</b> champagne hickory (natural) <span style="border: 1px solid black; padding: 0 2px;">A</span>	+\$0	0	0	0
<b>98R</b> recograin rosewood <span style="border: 1px solid black; padding: 0 2px;">A</span>	+\$0	0	0	0
<b>991</b> champagne ash <span style="border: 1px solid black; padding: 0 2px;">A</span>	+\$0	0	0	0
<b>998</b> ebony ash <span style="border: 1px solid black; padding: 0 2px;">A</span>	+\$0	0	0	0
<b>99A</b> recograin frosty ash <span style="border: 1px solid black; padding: 0 2px;">A</span>	+\$0	0	0	0
<b>99R</b> recograin rosewood <span style="border: 1px solid black; padding: 0 2px;">A</span>	+\$0	0	0	0
<b>99T</b> recograin teak <span style="border: 1px solid black; padding: 0 2px;">A</span>	+\$0	0	0	0
<b>9A1</b> white ash, quarter cut, low sheen <span style="border: 1px solid black; padding: 0 2px;">A</span>	+\$0	0	0	0
<b>9K1</b> rift oak, rift cut, low sheen <span style="border: 1px solid black; padding: 0 2px;">A</span>	+\$0	0	0	0
<b>9K6</b> burnt oak, rift cut, low sheen <span style="border: 1px solid black; padding: 0 2px;">A</span>	+\$0	0	0	0
<b>ED</b> aged cherry <span style="border: 1px solid black; padding: 0 2px;">A</span>	+\$0	0	0	0
<b>EK</b> medium red walnut <span style="border: 1px solid black; padding: 0 2px;">A</span>	+\$0	0	0	0
<b>G2U</b> light brown walnut, low sheen <span style="border: 1px solid black; padding: 0 2px;">A</span>	+\$0	0	0	0
<b>G40</b> dark brown walnut, low sheen <span style="border: 1px solid black; padding: 0 2px;">A</span>	+\$0	0	0	0
<b>UX</b> walnut on cherry <span style="border: 1px solid black; padding: 0 2px;">A</span>	+\$0	0	0	0



# Sled Base Mobile Pedestal Stone

## Top *continued*

Premium Veneer - Matte		-B2L	-B2R	-B3	-B4
<b>662</b>	toasted walnut, matte sheen <input type="checkbox"/>	+\$0	0	0	0
<b>663</b>	charred walnut, matte sheen <input type="checkbox"/>	+\$0	0	0	0
<b>664</b>	bronzed walnut, matte sheen <input type="checkbox"/>	+\$0	0	0	0
<b>665</b>	smoked walnut, matte sheen <input type="checkbox"/>	+\$0	0	0	0
<b>666</b>	coffee walnut, matte sheen <input type="checkbox"/>	+\$0	0	0	0
<b>667</b>	smoked paldao, quarter cut, matte sheen <input type="checkbox"/>	+\$598	598	750	692
<b>669</b>	warm paldao, quarter cut, matte sheen <input type="checkbox"/>	+\$598	598	750	692
<b>66A</b>	recograin frosty ash <input type="checkbox"/>	+\$0	0	0	0
<b>677</b>	chocolate ash, matte sheen <input type="checkbox"/>	+\$0	0	0	0
<b>678</b>	natural oak <input type="checkbox"/>	+\$0	0	0	0
<b>68R</b>	recograin rosewood <input type="checkbox"/>	+\$0	0	0	0
<b>69A</b>	recograin frosty ash <input type="checkbox"/>	+\$0	0	0	0
<b>69R</b>	recograin rosewood <input type="checkbox"/>	+\$0	0	0	0
<b>69T</b>	recograin teak <input type="checkbox"/>	+\$0	0	0	0
<b>6A1</b>	white ash <input type="checkbox"/>	+\$0	0	0	0
<b>6K1</b>	rift oak <input type="checkbox"/>	+\$0	0	0	0
<b>6K6</b>	burnt oak <input type="checkbox"/>	+\$0	0	0	0
<b>ET</b>	clear on ash <input type="checkbox"/>	+\$0	0	0	0
<b>EU</b>	oak on ash <input type="checkbox"/>	+\$0	0	0	0
<b>EV</b>	walnut on ash <input type="checkbox"/>	+\$0	0	0	0
<b>GOU</b>	natural walnut, flat cut, matte sheen <input type="checkbox"/>	+\$0	0	0	0

RecoGrain Veneer		-B2L	-B2R	-B3	-B4
<b>66G</b>	recograin wenge <input type="checkbox"/>	-\$200	-200	-250	-231
<b>68W</b>	recograin walnut, flat cut, matte sheen <input type="checkbox"/>	-\$200	-200	-250	-231
<b>69G</b>	recograin wenge <input type="checkbox"/>	-\$200	-200	-250	-231
<b>69K</b>	recograin oak, quarter cut, matte sheen <input type="checkbox"/>	-\$200	-200	-250	-231
<b>69W</b>	recograin walnut, quarter cut, matte sheen <input type="checkbox"/>	-\$200	-200	-250	-231

Recon Veneer -		-B2L	-B2R	-B3	-B4
<b>96G</b>	wenge recograin, quarter cut, low sheen <input type="checkbox"/>	-\$200	-200	-250	-231
<b>98W</b>	recograin walnut, flat cut, low sheen <input type="checkbox"/>	-\$200	-200	-250	-231
<b>99G</b>	recograin wenge, quarter cut, low sheen <input type="checkbox"/>	-\$200	-200	-250	-231
<b>99K</b>	recograin oak, quarter cut, low sheen <input type="checkbox"/>	-\$200	-200	-250	-231
<b>99W</b>	recograin walnut, quarter cut, low sheen <input type="checkbox"/>	-\$200	-200	-250	-231

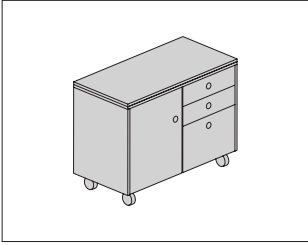
### Step 5. Stone or Marble Top

<b>200</b>	perfato marble <input type="checkbox"/>				+\$0
<b>250</b>	verde antique marble <input type="checkbox"/>				+\$0
<b>400</b>	black granite <input type="checkbox"/>				+\$0
<b>5U</b>	georgia grey marble <input type="checkbox"/>				+\$0
<b>800</b>	autumn brown granite <input type="checkbox"/>				+\$0
<b>960</b>	white carrara marble <input type="checkbox"/>				+\$0
<b>HR</b>	wisconsin black marble <input type="checkbox"/>				+\$0

### Step 6. Metal Finish

<b>BNZ</b>	bronze <input type="checkbox"/>				+\$0
<b>CHR</b>	chrome <input type="checkbox"/>				+\$0
<b>SAC</b>	satin chrome <input type="checkbox"/>				+\$0

Sled Base Mobile Credenza Stone Top JMS2S  
Top



HermanMiller Collection—Storage

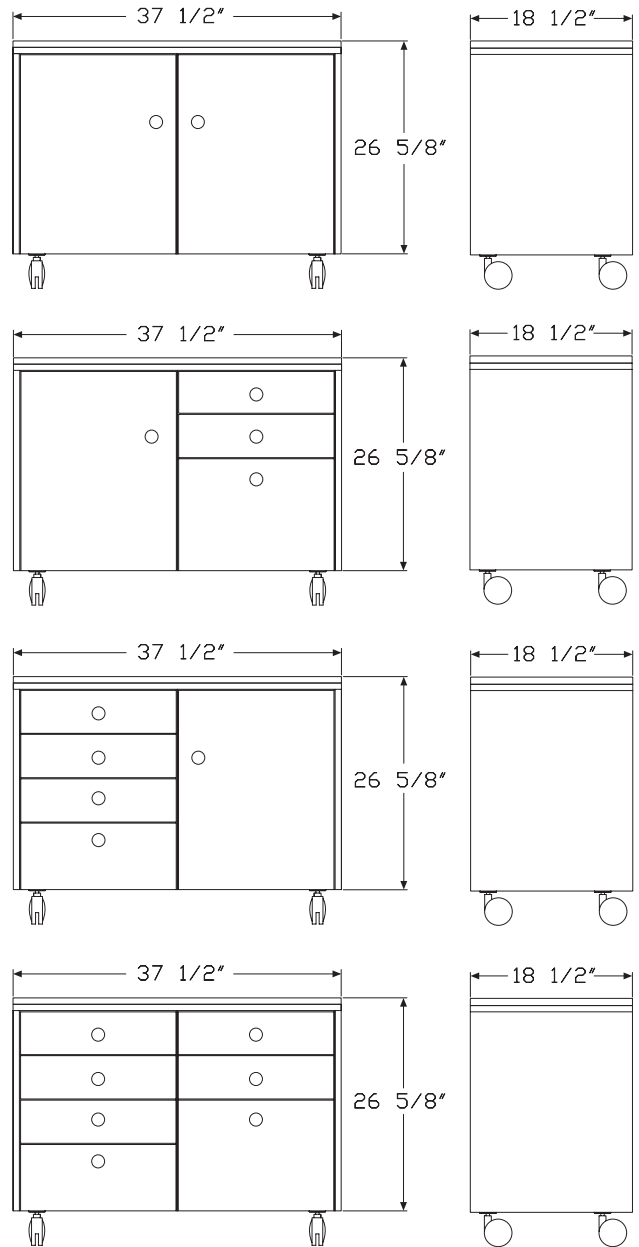
**Product Information**

**Description**  
This two-unit wide mobile pedestal has a stone top with metal frame. The casters are black with a silver yoke and no brake. Drawers include wood boxes and self-closing hidden drawer slides. Ward Bennett Flip pulls come in matching metal finish.

**Notes**

Mobile credenzas ship assembled.  
B3 and B4 box drawers include pencil tray and felt lining in bottom of top drawer.  
Santos palisander veneer is celebrated for its unique grain and color variations. Similar products ordered in multiples or dissimilar products ordered separately should be expected to have variation in both grain and color characteristics; no two products will look exactly alike.

**Dimensions**



# Sled Base Mobile Credenza Stone Top *continued*

## Specification Information

### Step 1.

**JMS2S**

### Step 2. Size

**-1938** 18<sup>1</sup>/<sub>2</sub>" deep x 37<sup>1</sup>/<sub>2</sub>" wide x 26<sup>5</sup>/<sub>8</sub>" high

### Step 3. Configuration

**-B2B2** two doors

**-B2B4** single door left, BBF right

**-B3B2** four drawers left, single door right

**-B3B4** four drawers left, BBF right

### Prices for Steps 1-3.

	<b>-B2B2</b>	<b>-B2B4</b>	<b>-B3B2</b>	<b>-B3B4</b>
<b>JMS2S -1938</b>	\$7198	7843	8243	8887

### Step 4. Wood Finish

#### Premium Veneer - Low Sheen

	<b>-B2B2</b>	<b>-B2B4</b>	<b>-B3B2</b>	<b>-B3B4</b>
<b>931</b> champagne anigre (natural) <input type="checkbox"/>	+\$1279	1394	1465	1580
<b>932</b> sundance anigre <input type="checkbox"/>	+\$1279	1394	1465	1580
<b>933</b> caramel anigre <input type="checkbox"/>	+\$1279	1394	1465	1580
<b>934</b> henna anigre <input type="checkbox"/>	+\$1279	1394	1465	1580
<b>941</b> natural beech <input type="checkbox"/>	+\$0	0	0	0
<b>942</b> sundance cherry (natural) <input type="checkbox"/>	+\$0	0	0	0
<b>943</b> caramel cherry <input type="checkbox"/>	+\$0	0	0	0
<b>946</b> cocoa cherry <input type="checkbox"/>	+\$0	0	0	0
<b>951</b> natural anigre <input type="checkbox"/>	+\$2796	3046	3201	3452
<b>956</b> cocoa sapele <input type="checkbox"/>	+\$0	0	0	0
<b>962</b> toasted walnut, low sheen <input type="checkbox"/>	+\$0	0	0	0
<b>963</b> charred walnut, low sheen <input type="checkbox"/>	+\$0	0	0	0
<b>964</b> bronzed walnut, low sheen <input type="checkbox"/>	+\$0	0	0	0
<b>965</b> smoked walnut, low sheen <input type="checkbox"/>	+\$0	0	0	0
<b>966</b> coffee walnut, low sheen <input type="checkbox"/>	+\$0	0	0	0
<b>967</b> smoked paldao, low sheen <input type="checkbox"/>	+\$1049	1143	1201	1295
<b>969</b> warm paldao, low sheen <input type="checkbox"/>	+\$1049	1143	1201	1295
<b>977</b> chocolate ash, low sheen <input type="checkbox"/>	+\$0	0	0	0
<b>978</b> natural oak <input type="checkbox"/>	+\$0	0	0	0

<b>981</b> champagne hickory (natural) <input type="checkbox"/>	+\$0	0	0	0
<b>98R</b> recograin rosewood <input type="checkbox"/>	+\$0	0	0	0
<b>991</b> champagne ash <input type="checkbox"/>	+\$0	0	0	0
<b>998</b> ebony ash <input type="checkbox"/>	+\$0	0	0	0
<b>99A</b> recograin frosty ash <input type="checkbox"/>	+\$0	0	0	0
<b>99R</b> recograin rosewood <input type="checkbox"/>	+\$0	0	0	0
<b>99T</b> recograin teak <input type="checkbox"/>	+\$0	0	0	0
<b>9A1</b> white ash, quarter cut, low sheen <input type="checkbox"/>	+\$0	0	0	0
<b>9K1</b> rift oak, rift cut, low sheen <input type="checkbox"/>	+\$0	0	0	0
<b>9K6</b> burnt oak, rift cut, low sheen <input type="checkbox"/>	+\$0	0	0	0
<b>ED</b> aged cherry <input type="checkbox"/>	+\$0	0	0	0
<b>EK</b> medium red walnut <input type="checkbox"/>	+\$0	0	0	0
<b>G2U</b> light brown walnut, low sheen <input type="checkbox"/>	+\$0	0	0	0
<b>G40</b> dark brown walnut, low sheen <input type="checkbox"/>	+\$0	0	0	0
<b>UX</b> walnut on cherry <input type="checkbox"/>	+\$0	0	0	0

# Sled Base Mobile Credenza Stone

Top *continued*

HermanMiller Collection—Storage

Premium Veneer - Matte		-B2B2	-B2B4	-B3B2	-B3B4
662	toasted walnut, matte sheen <span style="border: 1px solid black; padding: 0 2px;">A</span>	+\$0	0	0	0
663	charred walnut, matte sheen <span style="border: 1px solid black; padding: 0 2px;">A</span>	+\$0	0	0	0
664	bronzed walnut, matte sheen <span style="border: 1px solid black; padding: 0 2px;">A</span>	+\$0	0	0	0
665	smoked walnut, matte sheen <span style="border: 1px solid black; padding: 0 2px;">A</span>	+\$0	0	0	0
666	coffee walnut, matte sheen <span style="border: 1px solid black; padding: 0 2px;">A</span>	+\$0	0	0	0
667	smoked paldao, quarter cut, matte sheen <span style="border: 1px solid black; padding: 0 2px;">A</span>	+\$1049	1143	1201	1295
669	warm paldao, quarter cut, matte sheen <span style="border: 1px solid black; padding: 0 2px;">A</span>	+\$1049	1143	1201	1295
66A	recograin frosty ash <span style="border: 1px solid black; padding: 0 2px;">A</span>	+\$0	0	0	0
677	chocolate ash, matte sheen <span style="border: 1px solid black; padding: 0 2px;">A</span>	+\$0	0	0	0
678	natural oak <span style="border: 1px solid black; padding: 0 2px;">A</span>	+\$0	0	0	0
68R	recograin rosewood <span style="border: 1px solid black; padding: 0 2px;">A</span>	+\$0	0	0	0
69A	recograin frosty ash <span style="border: 1px solid black; padding: 0 2px;">A</span>	+\$0	0	0	0
69R	recograin rosewood <span style="border: 1px solid black; padding: 0 2px;">A</span>	+\$0	0	0	0
69T	recograin teak <span style="border: 1px solid black; padding: 0 2px;">A</span>	+\$0	0	0	0
6A1	white ash <span style="border: 1px solid black; padding: 0 2px;">A</span>	+\$0	0	0	0
6K1	rift oak <span style="border: 1px solid black; padding: 0 2px;">A</span>	+\$0	0	0	0
6K6	burnt oak <span style="border: 1px solid black; padding: 0 2px;">A</span>	+\$0	0	0	0
ET	clear on ash <span style="border: 1px solid black; padding: 0 2px;">A</span>	+\$0	0	0	0
EU	oak on ash <span style="border: 1px solid black; padding: 0 2px;">A</span>	+\$0	0	0	0
EV	walnut on ash <span style="border: 1px solid black; padding: 0 2px;">A</span>	+\$0	0	0	0
GOU	natural walnut, flat cut, matte sheen <span style="border: 1px solid black; padding: 0 2px;">A</span>	+\$0	0	0	0

RecoGrain Veneer		-B2B2	-B2B4	-B3B2	-B3B4
66G	recograin wenge <span style="border: 1px solid black; padding: 0 2px;">A</span>	-\$350	-381	-401	-432
68W	recograin walnut, flat cut, matte sheen <span style="border: 1px solid black; padding: 0 2px;">A</span>	-\$350	-381	-401	-432
69G	recograin wenge <span style="border: 1px solid black; padding: 0 2px;">A</span>	-\$350	-381	-401	-432
69K	recograin oak, quarter cut, matte sheen <span style="border: 1px solid black; padding: 0 2px;">A</span>	-\$350	-381	-401	-432
69W	recograin walnut, quarter cut, matte sheen <span style="border: 1px solid black; padding: 0 2px;">A</span>	-\$350	-381	-401	-432

Recon Veneer -		-B2B2	-B2B4	-B3B2	-B3B4
96G	wenge recograin, quarter cut, low sheen <span style="border: 1px solid black; padding: 0 2px;">A</span>	-\$350	-381	-401	-432
98W	recograin walnut, flat cut, low sheen <span style="border: 1px solid black; padding: 0 2px;">A</span>	-\$350	-381	-401	-432
99G	recograin wenge, quarter cut, low sheen <span style="border: 1px solid black; padding: 0 2px;">A</span>	-\$350	-381	-401	-432
99K	recograin oak, quarter cut, low sheen <span style="border: 1px solid black; padding: 0 2px;">A</span>	-\$350	-381	-401	-432
99W	recograin walnut, quarter cut, low sheen <span style="border: 1px solid black; padding: 0 2px;">A</span>	-\$350	-381	-401	-432

Step 5. Stone or Marble Top		
200	perfato marble <span style="border: 1px solid black; padding: 0 2px;">A</span>	+\$0
250	verde antique marble <span style="border: 1px solid black; padding: 0 2px;">A</span>	+\$0
400	black granite <span style="border: 1px solid black; padding: 0 2px;">A</span>	+\$0
5U	georgia grey marble <span style="border: 1px solid black; padding: 0 2px;">A</span>	+\$0
800	autumn brown granite <span style="border: 1px solid black; padding: 0 2px;">A</span>	+\$0
960	white carrara marble <span style="border: 1px solid black; padding: 0 2px;">A</span>	+\$0
HR	wisconsin black marble <span style="border: 1px solid black; padding: 0 2px;">A</span>	+\$0

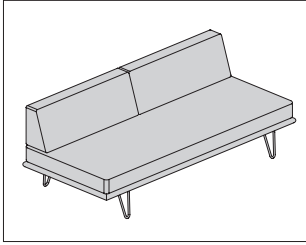
Step 6. Metal Finish		
BNZ	bronze <span style="border: 1px solid black; padding: 0 2px;">A</span>	+\$0
CHR	chrome <span style="border: 1px solid black; padding: 0 2px;">A</span>	+\$0
SAC	satin chrome <span style="border: 1px solid black; padding: 0 2px;">A</span>	+\$0

**Bedroom**



# Nelson™ Daybed

TE5088  
TE5089  
TE5090

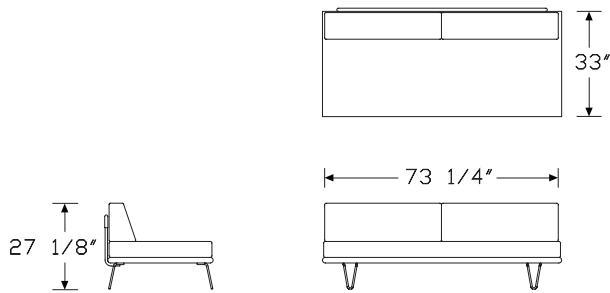


## Product Information

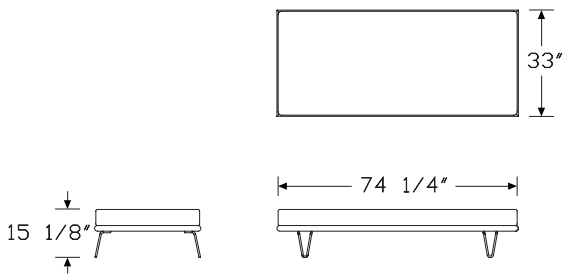
### Description

This daybed is available with a seat cushion only, 2 back bolsters with steel bolster supports, or 1 end bolster and bolster support. Leg options are 4 steel hairpin legs or 4 wood taper legs with black glides.

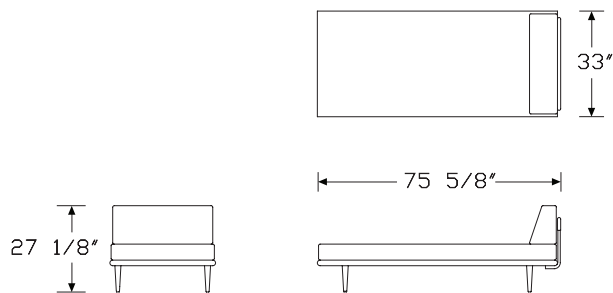
### Dimensions



2 Bolsters and Bolster Support



Daybed



End Bolster and Bolster Support

## Specification Information

### Step 1.

**TE50**  A

### Step 2. Configuration

- 88.** two bolsters and bolster support  A
- 89.** daybed  A
- 90.** end bolster and bolster support  A

### Step 3. Leg

- H** hairpin  A
- T** wood taper  A

### Prices for Steps 1-3.

<b>TE5088.</b>	<b>H</b>	\$3518
	<b>T</b>	\$3425
<b>TE5089.</b>	<b>H</b>	\$3106
	<b>T</b>	\$3013
<b>TE5090.</b>	<b>H</b>	\$3312
	<b>T</b>	\$3219

### Step 4. Frame

- OU** walnut  A +\$0
- A2** white ash  A +\$105

### Step 5. Leg Finish

#### For hairpin (H)

- SAC** satin chrome  A +\$0

#### For wood taper (T)

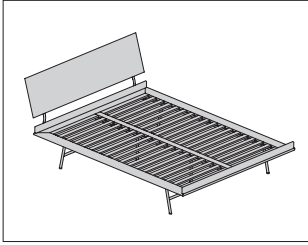
- OU** walnut  A +\$0
- A2** white ash  A +\$0

### Step 6. Fabric

	<b>88.</b>	<b>89.</b>	<b>90.</b>
Price Category 2	+\$280	160	220
Price Category 5	+\$550	430	490
Price Category (Geiger) 7	+\$730	610	670
Price Category 10	+\$1000	880	940
Price Category 14	+\$1360	1240	1300
Price Category D	+\$320	440	500

# Nelson™ Thin Edge Bed

TE5491  
TE5492  
TE5493  
TE5494  
TE5495



HermanMiller Collection—Bedroom

## Product Information

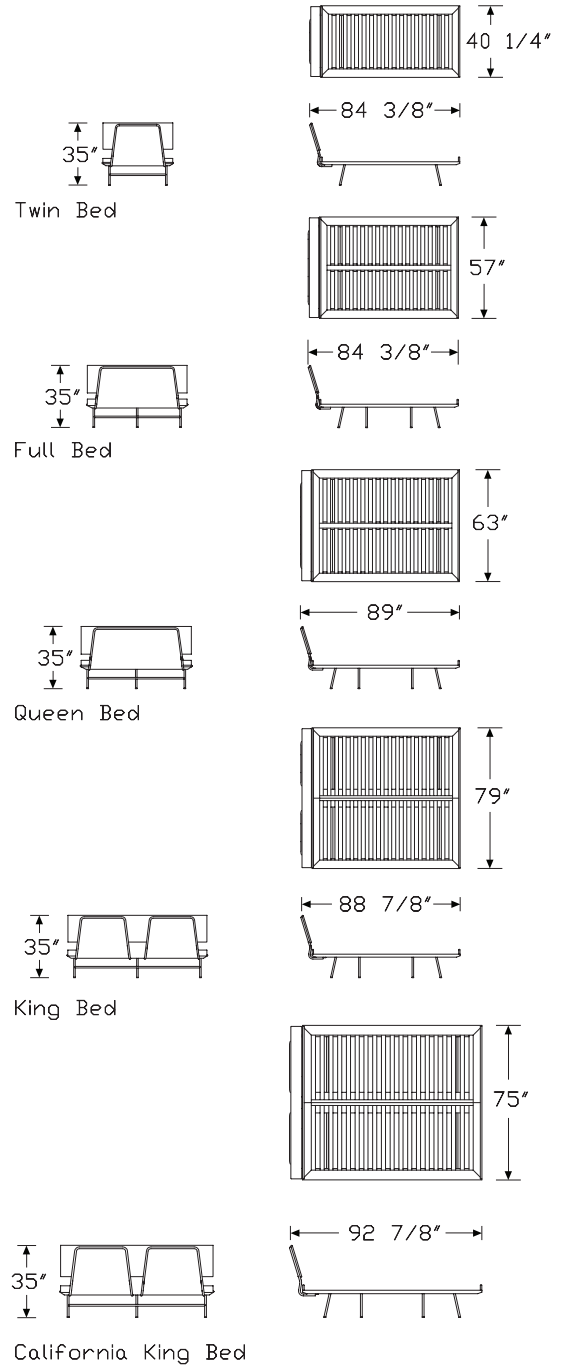
### Description

This bed comes with a natural cane or veneer headboard option. Twin, full, and queen sizes have 1 headboard support. King and California king sizes come with 2 twin-size headboard supports. Leg options are steel H-frame legs or solid wood tapers. Twin bed has 4 wood taper legs; larger bed sizes have 6 wood taper legs. All leg options come with black glides.

### Notes

Bed ships unassembled in 3 boxes. Frame, headboard and headboard supports, and legs ship in separate boxes.

## Dimensions





Nelson™ Thin Edge Bed *continued*

**Specification Information**

Step 1.

TE54  A

Step 2. Size

- 91. twin  A
- 92. full  A
- 93. queen  A
- 94. king  A
- 95. california king  A

Step 3. Headboard

- C natural cane  A
- V veneer  A

Step 4. Leg

- F h frame  A
- T wood taper  A

Prices for Steps 1-4.

	F	T
TE5491. C	\$3492	3399
V	\$3214	3142
TE5492. C	\$4110	4017
V	\$3842	3760
TE5493. C	\$4986	4893
V	\$4728	4635
TE5494. C	\$5604	5511
V	\$5346	5253
TE5495. C	\$5604	5511
V	\$5346	5253

Step 5. Frame Finish

	91.	92.	93.	94.	95.
OU walnut <input type="checkbox"/> A	+\$0	0	0	0	0
A2 white ash <input type="checkbox"/> A	+\$105	120	150	180	180

Step 6. Leg Finish

*For h frame (F)*

SAC satin chrome  A +\$0

*For wood taper (T)*

OU walnut  A +\$0  
 A2 white ash  A +\$0



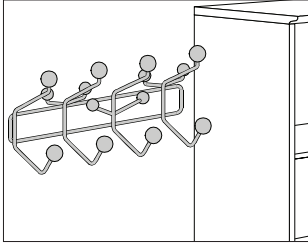
Accessories

Lighting



# Eames® Hang-It-All®

HIA91  
 HIABK  
 HIAML  
 HIAOU  
 HIAUL

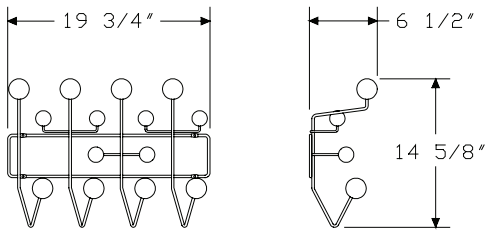


## Product Information

### Description

The Hang-It-All® frame is steel rod, available in white, black or dark blue. The black frame is available with solid wooden spheres in black or solid walnut. The white frame is available with either the multi-color option with 14 solid wooden spheres in 9 different colors: yellow, mustard, blue, green, red, pastel pink, bold pink, purple, and black, or the white option with solid wooden spheres in white or solid walnut. The dark blue frame is offered with solid maple spheres finished in a matte sheen. Attachment hardware is included.

### Dimensions



## Specification Information

### Step 1.

**HIA**

### Step 2. Sphere Finish

<b>MLC</b>	multi-color (multi-color spheres with white frame)
<b>91</b>	white
<b>BK</b>	black
<b>OU</b>	walnut
<b>UL</b>	natural maple

### Step 3. Wire Finish

#### For multi-color (multi-color spheres with white frame) (MLC)

**91** white

#### For white (91)

**91** white

#### For black (BK)

**BK** black

#### For walnut (OU)

**91** white

**BK** black

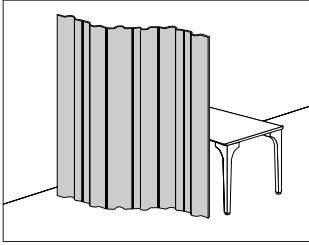
#### For natural maple (UL)

**DBM** dark blue maple

### Prices for Steps 1-3.

<b>HIAMLC 91</b>	\$185
<b>HIA91 91</b>	\$185
<b>HIABK BK</b>	\$185
<b>HIAOU 91</b>	\$285
<b>BK</b>	\$285
<b>HIAUL DBM</b>	\$285

Eames® Molded Plywood Folding Screen FSW.



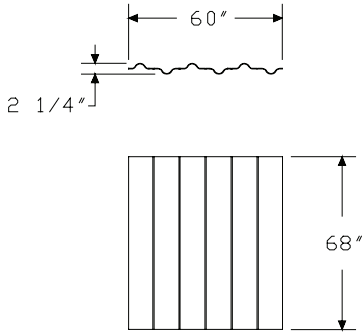
HermanMiller Collection—Accessories

**Product Information**

**Description**  
 This 6-paneled, 5-ply screen has natural face veneers with lightweight hardwood inner plies. It stands alone to create standing or seated privacy and divisions within an environment. Each molded plywood section is connected by woven polypropylene mesh.

**Notes**  
 Ebony (EN) option is stain on ash veneer; inner plies are not as visible.

**Dimensions**



**Specification Information**

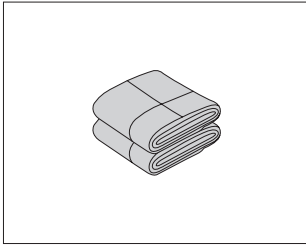
**Step 1.**  
**FSW.** A \$3347

**Step 2. Surface Finish**

<b>EN</b>	ebony <span style="border: 1px solid black; padding: 0 2px;">A</span>	+\$225
<b>OU</b>	walnut <span style="border: 1px solid black; padding: 0 2px;">A</span>	+\$0
<b>A2</b>	white ash <span style="border: 1px solid black; padding: 0 2px;">A</span>	+\$225

Girard® Throw

HA-GT

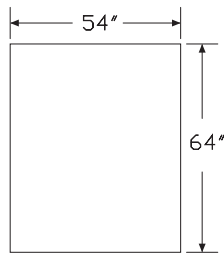


**Product Information**

Description

In the 1960's, Alexander Girard designed this richly hued throw blanket as part of an astounding 17,543 item brand identity system—from logo to lounge furniture to bag tags—for Braniff International Airways. The re-created designs are crafted from a blend of 82% naturally breathable, wrinkle resistant, high quality virgin wool and 18% cotton.

Dimensions



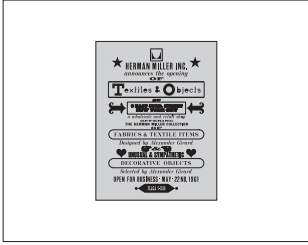
**Specification Information**

Step 1.

**HA-GT** \$359

Step 2. Finish

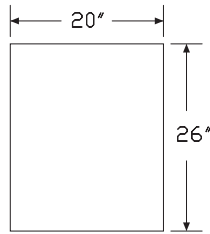
<b>TLA</b>	teal/aqua	+\$0
<b>ORF</b>	orange/fuchsia	+\$0
<b>BKW</b>	black/white	+\$0
<b>NLW</b>	natural/white	+\$0



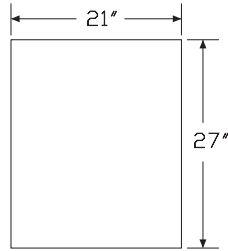
**Product Information**

**Description**  
 The Textiles & Objects poster is evidence that, in Girard’s hands, advertising can rise to the level of art. Among the many invitations, signs, product tags, and other graphical elements Alexander Girard designed to promote the midtown Manhattan Textiles & Objects shop he launched with Herman Miller in 1961, this faithful screen printed re-edition of the 26" × 20" poster is available framed or unframed. The framed version includes an elegant 3/4" white wood frame with clear acrylic. Mounting hardware included.

**Dimensions**



Unframed



Framed

**Specification Information**

Step 1.

**HA-TO**

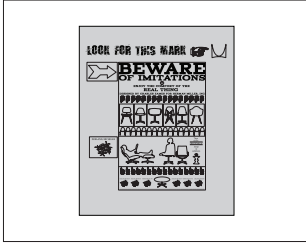
Step 2. Option

- F** framed
- U** unframed

Prices for Steps 1-2.

<b>HA-TO F</b>	\$525
<b>U</b>	\$125



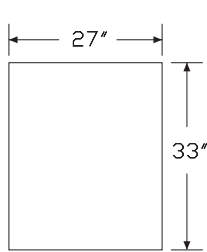


**Product Information**

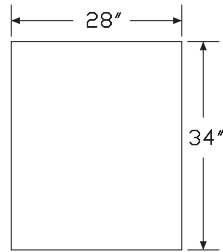
**Description**

The Beware of Imitations poster is a reproduction of an advertisement produced for Herman Miller by the Eames® Office in 1962. The original ad appeared on the back cover of Arts & Architecture magazine, edited at the time by the Eames' Case Study collaborator John Entenza. Faithful in every detail to the original art, and reproduced as a 2-color screen print on acid-free archival paper, the 33" x 27" poster is available framed or unframed. The framed version includes an elegant 3/4" white wood frame with clear acrylic. Mounting hardware included.

**Dimensions**



Unframed



Framed

**Specification Information**

**Step 1.**

**HA-BE**

**Step 2. Option**

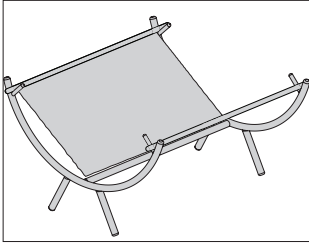
- U** unframed
- F** framed

**Prices for Steps 1-2.**

<b>HA-BE U</b>	\$157
<b>F</b>	\$655

Nelson™ Firewood Caddy

HA-FC.



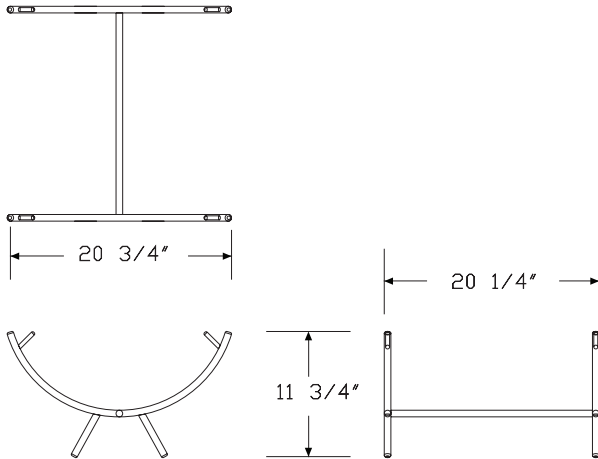
HermanMiller Collection—Accessories

**Product Information**

**Description**

This caddy has a powder-coated steel frame, canvas sling, and solid walnut dowels.

**Dimensions**



**Specification Information**

**Step 1.**

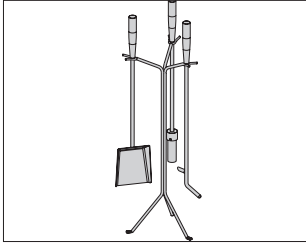
**HA-FC.** [A] \$425

**Step 2. Wood Handle**

**OU** walnut [A] +\$0

Nelson™ Fireplace Tool Set

HA-FP.

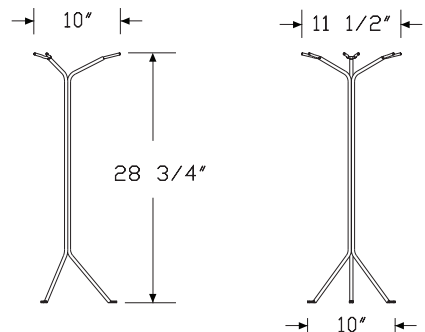
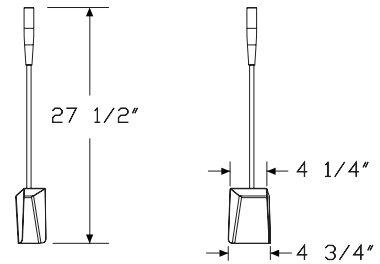
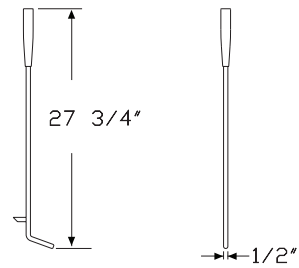
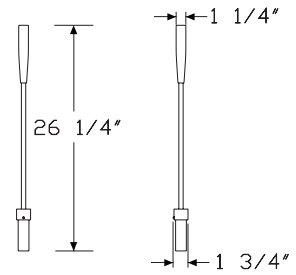


**Product Information**

Description

This set of fireplace tools includes stand, poker, shovel, and brush, each made from powder-coated steel with walnut handles.

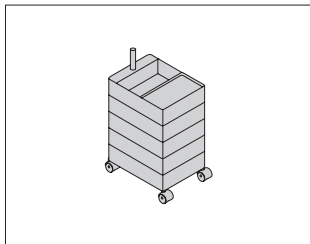
Dimensions



Specification Information		
Step 1.		
HA-FP.	A	\$430
Step 2. Wood Handle		
OU	walnut A	+\$0

360° Container (5 drawer w/  
casters)

HA-CO

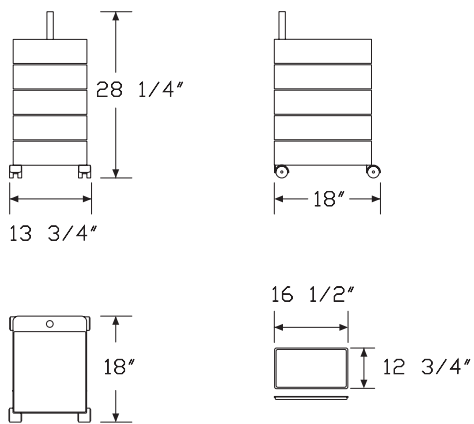


**Product Information**

**Description**

A strikingly simple and highly mobile storage solution, Konstantin Grcic's 360° Container for Magis keeps pace with contemporary work and living spaces where considerable movement is the norm. The container's drawer units swivel out to 360° to open, and casters allow for convenient mobility.

**Dimensions**



**Specification Information**

**Step 1.**

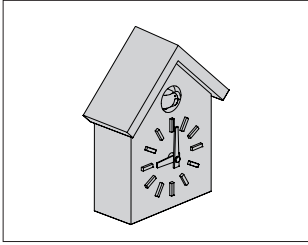
**HA-CO** \$683

**Step 2. Finish**

**TRG** orange gloss +\$0  
**TWG** white gloss +\$0  
**YB3** light grey gloss +\$0  
**TBG** black gloss +\$0  
**RED** red gloss +\$0

Cu-Clock, 4-Pack

HA-CC



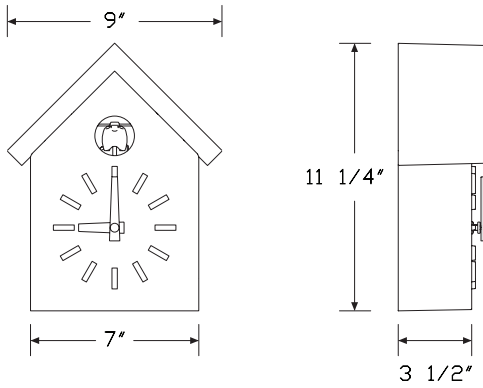
HermanMiller Collection—Accessories

**Product Information**

Description

Japanese designer Naoto Fukasawa offers a contemporary twist on tradition with his Cu-Clock for Magis. Cleverly stripping away the ornamentation, wooden gears, pendants, and chains that define the look of the traditional Black Forest cuckoo clock, Fukasawa leaves in its place clean lines and standard injection-molded ABS. Finish is matte white with optional roof colors. Battery included.

Dimensions



**Specification Information**

Step 1.

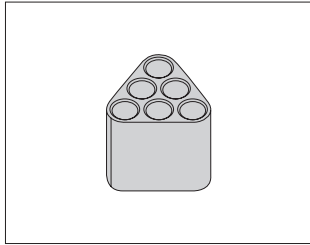
**HA-CC-4** \$1468

Step 2. Finish

<b>A</b>	white with orange roof	+\$0
<b>B</b>	white with white roof	+\$0
<b>V</b>	white with green roof	+\$0

# Umbrella Stand

HA-US

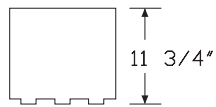
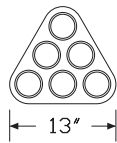


### Product Information

#### Description

The Umbrella Stand for Magis allows long and short umbrellas to be easily popped in and stowed when dashing in from the rain. Its compact size and triangular shape make for easy placement in an entryway or hallway. Available in orange, white, black, or olive green.

#### Dimensions



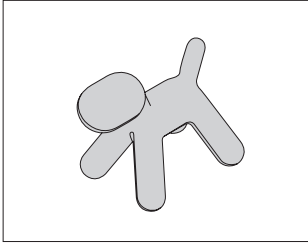
### Specification Information

#### Step 1.

**HA-US** \$157

#### Step 2. Finish

**ORN** orange +\$0  
**WHX** white +\$0  
**BLC** black +\$0  
**YGH** olive green  A +\$0

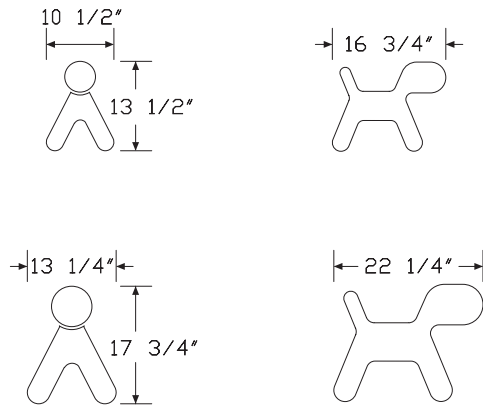


**Product Information**

**Description**

The vivid color, organic form, and playful spirit of Puppy are all characteristic of Finnish designer Eero Aarnio's oeuvre. Imaginative and innovative, his abstract plastic dog for Magis Me Too blends function and delight, finding use both inside and out as a seat or simply as sculpture.

**Dimensions**



**Specification Information**

**Step 1.**

**HA-PP-2**

**Step 2. Size**

- S** small
- M** medium

**Prices for Steps 1-2.**

<b>HA-PP-2 S</b>	\$188
<b>M</b>	\$314

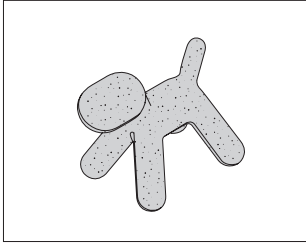
**Step 3. Finish**

<b>PRG</b> orange	+\$0
<b>PFW</b> off-white	+\$0
<b>PGN</b> green <span style="border: 1px solid black; padding: 0 2px;">A</span>	+\$0



# Dalmatian Puppy

HA-DP

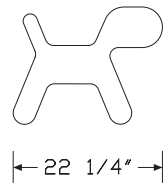
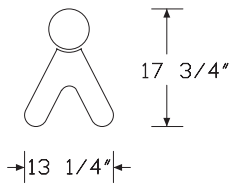
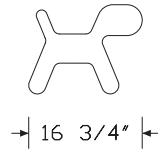
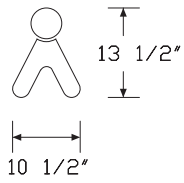


## Product Information

### Description

The color, organic form, and playful spirit of Puppy are all characteristic of Finnish designer Eero Aarnio's oeuvre. Imaginative and innovative, his abstract plastic dog for Magis Me Too blends function and delight, finding use both inside and out as a seat or simply as sculpture.

### Dimensions



## Specification Information

Step 1.

HA-DP

Step 2. Size

S small

M medium

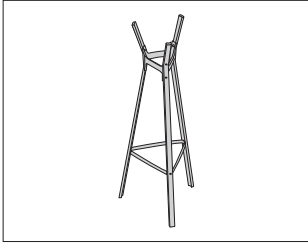
L large

Prices for Steps 1-2.

HA-DP	S	\$130
	M	\$220
	L	\$290

# Steelwood Coat Stand

HA-CR



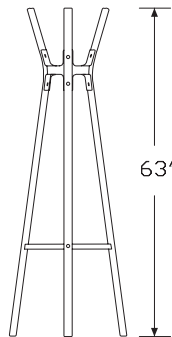
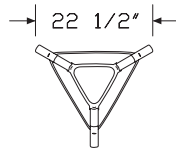
HermanMiller Collection—Accessories

### Product Information

#### Description

This coat stand shares the same simple wood and steel joinery that makes the entire Steelwood family appropriate for casual and elegant settings alike. Its triangular footprint fits easily into tight spaces. Frame is natural or painted beech. Top and bottom joints are steel plate painted in epoxy resin.

#### Dimensions



### Specification Information

#### Step 1.

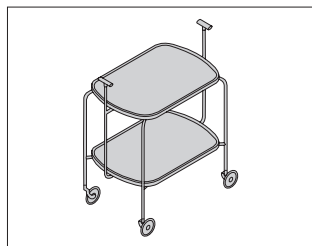
**HA-CR** \$662

#### Step 2. Finish

<b>WFW</b>	white frame with white joints	+\$0
<b>BFB</b>	black frame with black joints <span style="border: 1px solid black; padding: 0 2px;">A</span>	+\$0
<b>NBW</b>	natural beech frame with white joints	+\$0
<b>NBB</b>	natural beech frame with black joints	+\$0
<b>YWF</b>	walnut frame with black joints <span style="border: 1px solid black; padding: 0 2px;">A</span>	+\$430

# Transit Folding Trolley

HA-TT

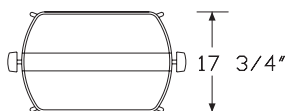
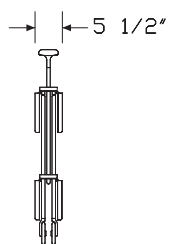
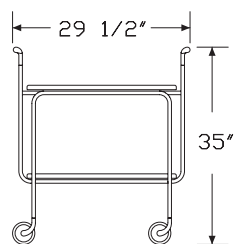


### Product Information

#### Description

The practical design and subtle sophistication of David Mellor's Transit Folding Trolley for Magis makes this resourceful trolley cart equally suited for both home and work environments. Made with a chromed steel tube frame, standard injection-molded polypropylene shelves, and polished die-cast aluminum handles, Transit features casters for easy mobility and a folding system for quick, compact storage.

#### Dimensions



### Specification Information

#### Step 1.

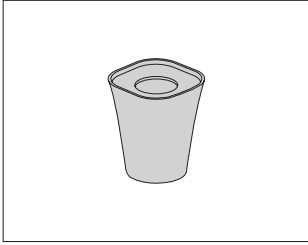
**HA-TT** \$736

#### Step 2. Finish

**YF9** white +\$0

# Trash Bin, 4-Pack

HA-TH-



HermanMiller Collection—Accessories

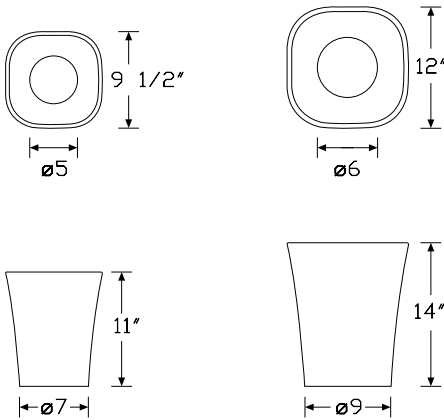
### Product Information

#### Description

Jasper Morrison's ability to design simple, functional objects beautifully finds its proof in his covetable reprisal of the lowly trash container.

Created with Magis using standard plastic, this sleek receptacle features a removable lid and bag-liner holder to make basic litter collection easier and more stylish in the home or workplace.

#### Dimensions



### Specification Information

#### Step 1.

**HA-TH-4**

#### Step 2. Size

- 4.** Small  A
- 0.** Large

#### Prices for Steps 1-2.

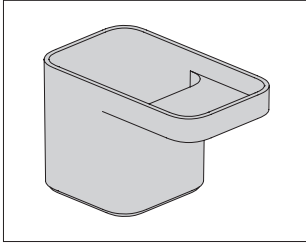
<b>HA-TH-4 4.</b>	\$152
<b>0.</b>	\$228

#### Step 3. Finish

<b>B</b>	white matte color	+ \$0
<b>N</b>	black matte color	+ \$0
<b>BE</b>	beige matte color <input type="checkbox"/> A	+ \$0

# Pencil Cup

CY100.



## Product Information

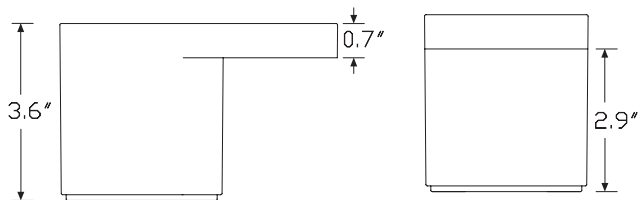
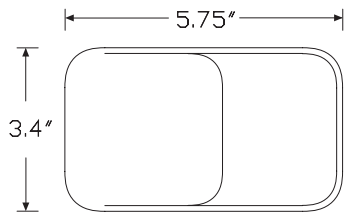
### Description

The pencil cup is designed to hold pencils, pens, markers, and office tools. It also has an integrated ledge for convenient storage of other small items. It is crafted of high gloss ABS plastic with a silicone base.

### Notes

Formwork® is a modular system of containers that may be arranged, stacked, and combined to best organize tools and accessories.

## Dimensions



## Specification Information

### Step 1.

**CY100.** \$23

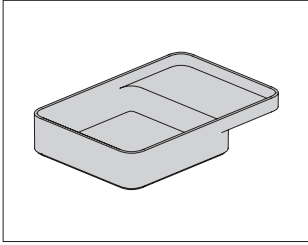
### Step 2. Finish

**CRT** concrete +\$0

**NYX** onyx +\$0

Tray

CY101.



HermanMiller Collection—Accessories

**Product Information**

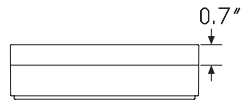
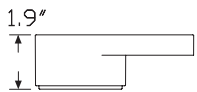
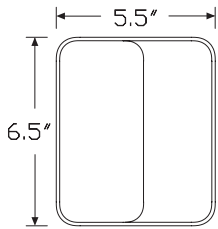
**Description**

These stackable trays are designed to hold small office tools and personal items, and have an integrated ledge for convenient storage of other objects such as business cards or a pad of sticky notes. They are crafted of high gloss ABS plastic with a silicone base.

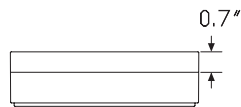
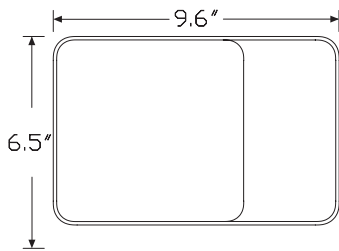
**Notes**

Formwork® is a modular system of containers that may be arranged, stacked, and combined to best organize tools and accessories.

**Dimensions**



Tray-Small



Tray-Large

**Specification Information**

**Step 1.**

**CY101.**

**Step 2. Size**

**S** small

**L** large

**Prices for Steps 1-2.**

<b>CY101. S</b>	\$25
<b>L</b>	\$32

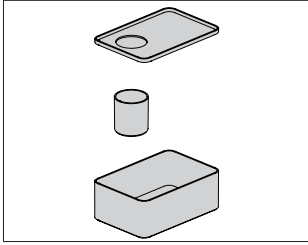
**Step 3. Finish**

**CRT** concrete +\$0

**NYX** onyx +\$0

Box

CY102.



**Product Information**

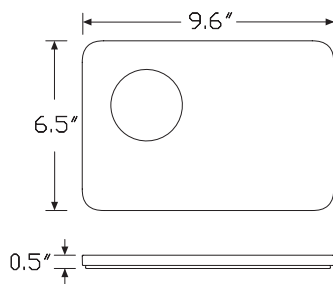
**Description**

These stackable boxes are designed to hold office tools and personal items, and have a cup for convenient storage of other objects such as paper clips, tacks, and loose change. They are crafted of high gloss ABS plastic with a silicone base.

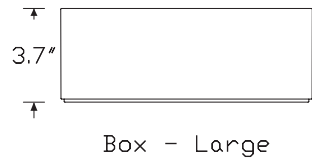
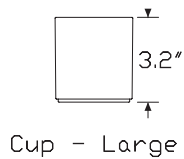
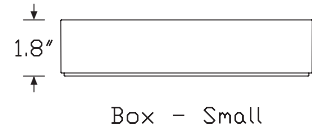
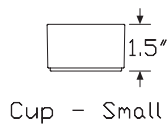
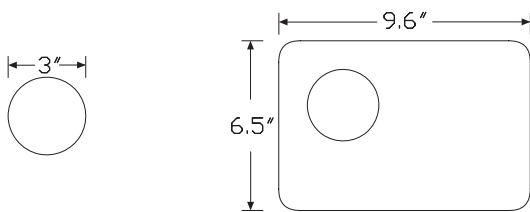
**Notes**

Formwork® is a modular system of containers that may be arranged, stacked, and combined to best organize tools and accessories.

**Dimensions**



Lid



**Specification Information**

**Step 1.**

**CY102.**

**Step 2. Size**

- S** small
- L** large

**Prices for Steps 1-2.**

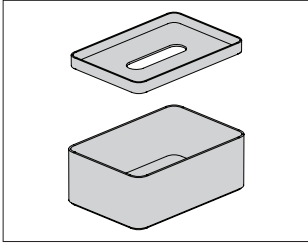
<b>CY102. S</b>	\$55
<b>L</b>	\$67

**Step 3. Finish**

<b>CRT</b> concrete	+ \$0
<b>NYX</b> onyx	+ \$0

Tissue Box

CY103.



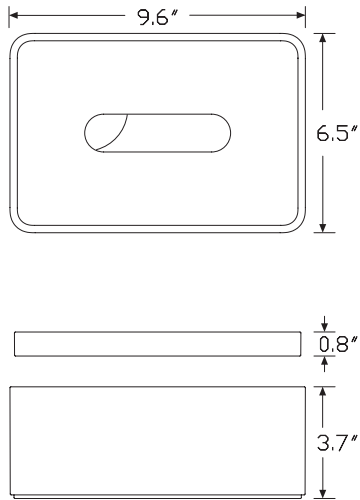
HermanMiller Collection—Accessories

**Product Information**

**Description**  
The tissue box is crafted of high gloss ABS plastic with a silicone base.

**Notes**  
Formwork® is a modular system of containers that may be arranged, stacked, and combined to best organize tools and accessories.

**Dimensions**



**Specification Information**

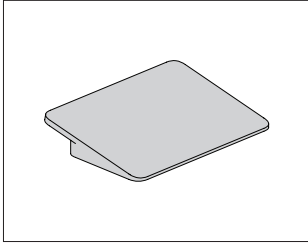
**Step 1.**  
**CY103.** \$65

**Step 2. Finish**  
**CRT** concrete +\$0  
**NYX** onyx +\$0



# Media Stand

CY104.



### Product Information

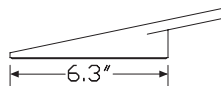
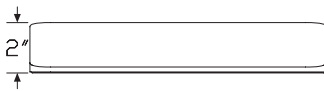
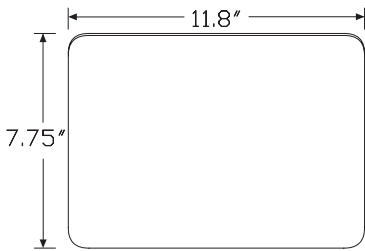
#### Description

The media stand supports tablets, notebooks, and small laptops. It is crafted of high gloss ABS plastic with a silicone top.

#### Notes

Formwork® is a modular system of containers that may be arranged, stacked, and combined to best organize tools and accessories.

#### Dimensions



### Specification Information

#### Step 1.

**CY104.** \$70

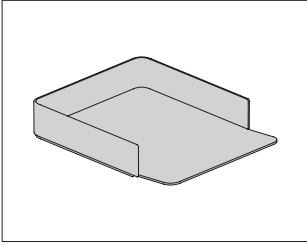
#### Step 2. Finish

**CRT** concrete +\$0

**NYX** onyx +\$0

# Paper Tray

CY105.



HermanMiller Collection—Accessories

### Product Information

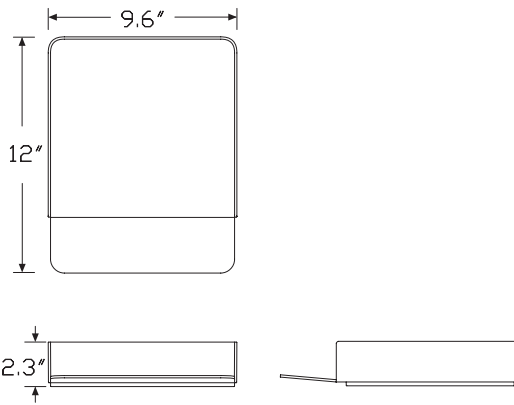
#### Description

This stackable paper tray is crafted of high gloss ABS plastic.

#### Notes

Formwork® is a modular system of containers that may be arranged, stacked, and combined to best organize tools and accessories.

#### Dimensions



### Specification Information

#### Step 1.

**CY105.** \$30

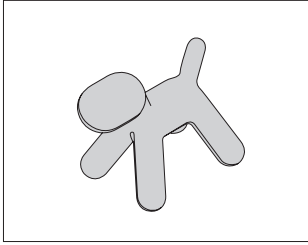
#### Step 2. Finish

**CRT** concrete +\$0

**NYX** onyx +\$0

Puppy

HA-PP

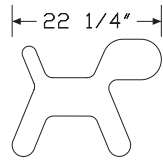
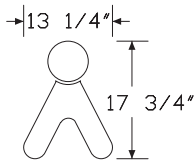
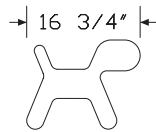
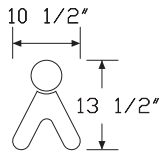


**Product Information**

Description

The vivid color, organic form, and playful spirit of Puppy are all characteristic of Finnish designer Eero Aarnio's oeuvre. Imaginative and innovative, his abstract plastic dog for Magis Me Too blends function and delight, finding use both inside and out as a seat or simply as sculpture.

Dimensions



**Specification Information**

Step 1.

**HA-PP**

Step 2. Size

**S** small  
**M** medium

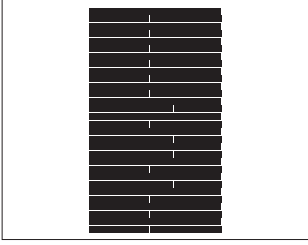
Prices for Steps 1-2.

<b>HA-PP S</b>	\$94
<b>M</b>	\$157

Step 3. Finish

<b>PRG</b> orange	+\$0
<b>PFW</b> off-white	+\$0
<b>PGN</b> green <input type="checkbox"/>	+\$0

# Environmental Enrichment Panel, EE925 Brick



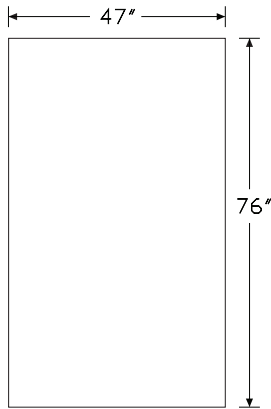
HermanMiller Collection—Accessories

## Product Information

**Description**  
This environmental enrichment panel is 47" x 76" and is screen printed by hand on 100% linen fabric. Mounted on an MDF panel with a spacer frame and hardware, it is easy to install on a wall.

**Notes**  
Mounted panel is stretched over MDF with a frame and sawtooth hanging clip.

## Dimensions



## Specification Information

Step 1.

EE  A

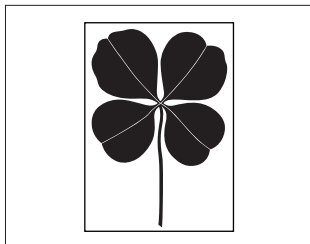
Step 2. Form

925 mounted  A

Prices for Steps 1-2.

EE925 \$1772

# Environmental Enrichment Panel, EE929 Four Leaf Clover



### Product Information

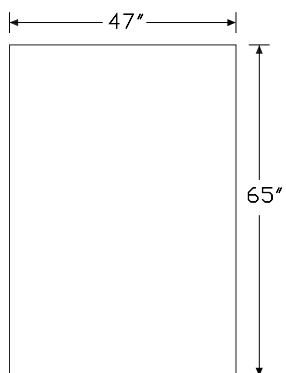
#### Description

This environmental enrichment panel is 47" x 65" and is screen printed by hand on 100% linen fabric. Mounted on an MDF panel with a spacer frame and hardware, it is easy to install on a wall.

#### Notes

Mounted panel is stretched over MDF with a frame and sawtooth hanging clip.

#### Dimensions



### Specification Information

#### Step 1.

EE  A

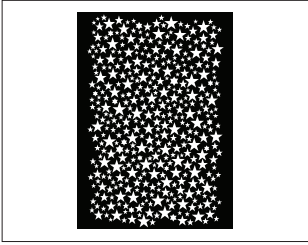
#### Step 2. Form

929 mounted  A

#### Prices for Steps 1-2.

EE929 \$1632

# Environmental Enrichment Panel, EE913 Stars



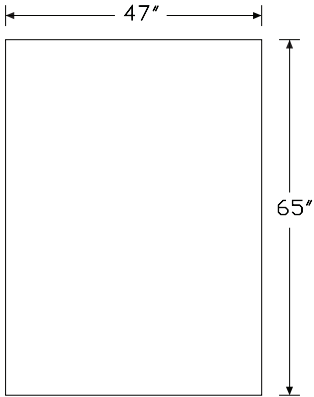
HermanMiller Collection—Accessories

## Product Information

**Description**  
This environmental enrichment panel is 47" x 65" and is screen printed by hand on 100% linen fabric. Mounted on an MDF panel with a spacer frame and hardware, it is easy to install on a wall.

**Notes**  
Mounted panel is stretched over MDF with a frame and sawtooth hanging clip.

## Dimensions



## Specification Information

Step 1.

EE  A

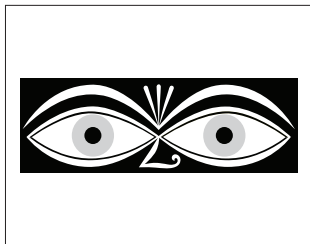
Step 2. Form

913 mounted  A

Prices for Steps 1-2.

EE913 \$1632

# Environmental Enrichment Panel, EE914 Eyes



### Product Information

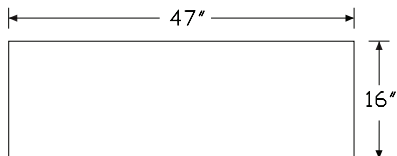
#### Description

This environmental enrichment panel is 47" x 16" and is screen printed by hand on 100% linen fabric. Mounted on an MDF panel with a spacer frame and hardware, it is easy to install on a wall.

#### Notes

Mounted panel is stretched over MDF with a frame and sawtooth hanging clip.

#### Dimensions



### Specification Information

Step 1.

EE  A

Step 2. Form

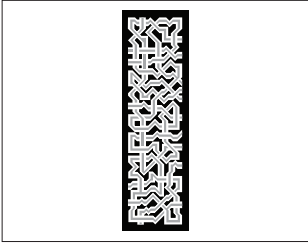
914 mounted  A

Prices for Steps 1-2.

EE914

\$1334

# Environmental Enrichment Panel, EE943 Ribbons



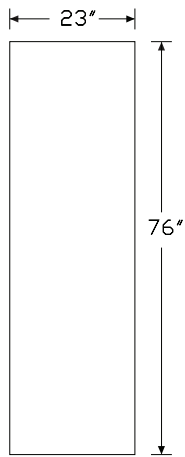
HermanMiller Collection—Accessories

## Product Information

**Description**  
This environmental enrichment panel is 23" x 76" and is screen printed by hand on 100% linen fabric. Mounted on an MDF panel with a spacer frame and hardware, it is easy to install on a wall.

**Notes**  
Mounted panel is stretched over MDF with a frame and sawtooth hanging clip.

## Dimensions



## Specification Information

Step 1.

EE  A

Step 2. Form

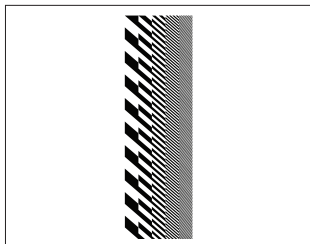
943 mounted  A

Prices for Steps 1-2.

EE943 \$1598



Environmental Enrichment Panel, EE937  
Diagonals



**Product Information**

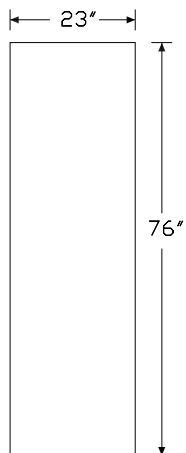
Description

This environmental enrichment panel is 23" x 76" and is screen printed by hand on 100% linen fabric. Mounted on an MDF panel with a spacer frame and hardware, it is easy to install on a wall.

Notes

Mounted panel is stretched over MDF with a frame and sawtooth hanging clip.

Dimensions



**Specification Information**

Step 1.

EE  A

Step 2. Form

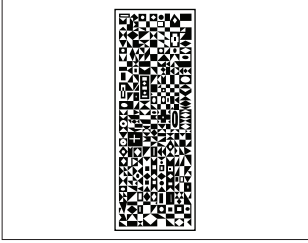
937 mounted  A

Prices for Steps 1-2.

EE937

\$1441

# Environmental Enrichment Panel, EE908 Geometry



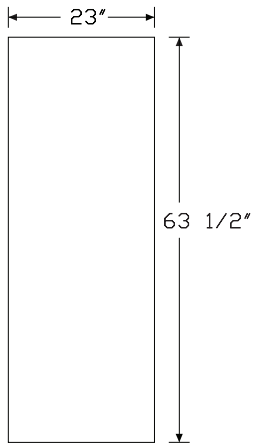
HermanMiller Collection—Accessories

## Product Information

**Description**  
This environmental enrichment panel is 23" × 63½" and is screen printed by hand on 100% linen fabric. Mounted on an MDF panel with a spacer frame and hardware, it is easy to install on a wall.

**Notes**  
Mounted panel is stretched over MDF with a frame and sawtooth hanging clip.

## Dimensions



## Specification Information

Step 1.

EE  A

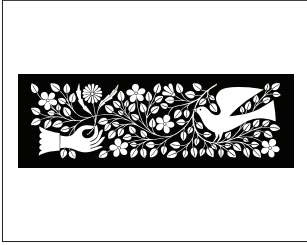
Step 2. Form

908 mounted  A

Prices for Steps 1-2.

EE908 \$1368

Environmental Enrichment Panel, EE907  
Hand & Dove



**Product Information**

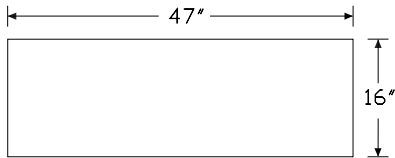
Description

This environmental enrichment panel is 47" x 16" and is screen printed by hand on 100% linen fabric. Mounted on an MDF panel with a spacer frame and hardware, it is easy to install on a wall.

Notes

Mounted panel is stretched over MDF with a frame and sawtooth hanging clip.

Dimensions



**Specification Information**

Step 1.

EE  A

Step 2. Form

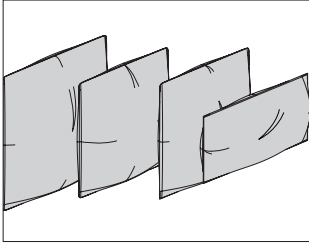
907 mounted  A

Prices for Steps 1-2.

EE907 \$998

# Geiger Textile Pillow

PTA  
PTB  
PTC  
PTD



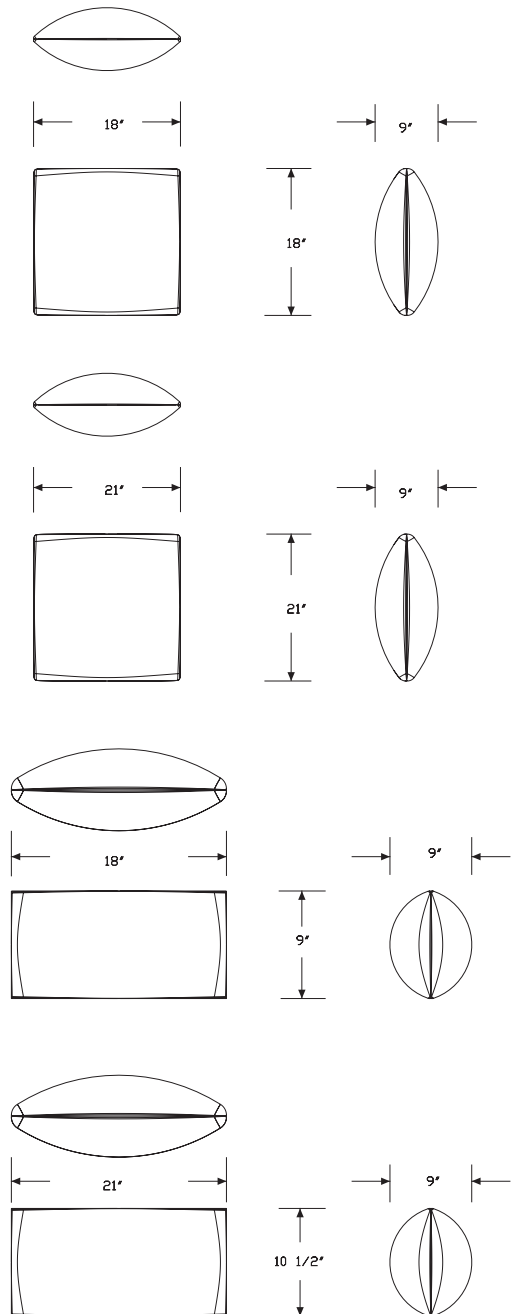
HermanMiller Collection—Accessories

## Product Information

### Description

These pillows are available in 4 sizes. All pillows are filled with 95% duck feather and 5% duck down.

## Dimensions



**Specification Information**

Step 1.

PT  A

Step 2. Size

A 9" high x 18" long  A

B 18" high x 18" long  A

C 10.5" high x 21" long  A

D 21" high x 21" long  A

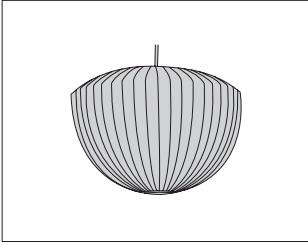
Prices for Steps 1-2.

<b>PTA</b>	\$150
<b>PTB</b>	\$180
<b>PTC</b>	\$160
<b>PTD</b>	\$225

Step 3. Fabric

Price Category (Geiger) 3	+\$30
Price Category (Geiger) 4	+\$36
Price Category (Geiger) 5	+\$53
Price Category (Geiger) 6	+\$69
Price Category (Geiger) 7	+\$86
Price Category (Geiger) 8	+\$131
Price Category (Geiger) 9	+\$163

Nelson™ Apple Bubble Pendant H766M



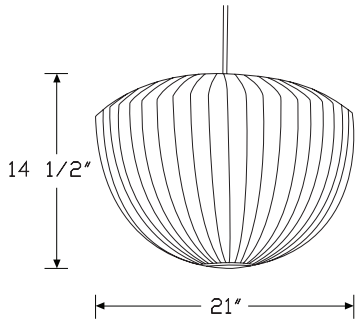
HermanMiller Collection—Lighting

**Product Information**

**Description**  
 The Nelson™ Apple Bubble Pendant comes with a 5 1/4" brushed, nickel-plated steel ceiling plate and a 10' cord. Bulb not included. 150W/120V. UL listed.

**Notes**  
 UL rated for bulbs up to 150 watts.

**Dimensions**



**Specification Information**

**Step 1.**

**H766**

**Step 2. Size**

**M** medium

**Prices for Steps 1-2.**

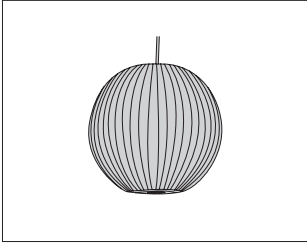
**H766M** \$575

**Step 3. Trim Finish**

**BNS** brushed nickel +\$0

Nelson™ Ball Bubble Pendant

H761L  
H761M  
H761S



**Product Information**

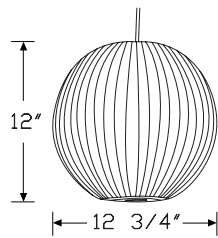
**Description**

The Nelson™ Ball Bubble Pendant is available in 3 sizes. Each lamp comes with a 5 1/4" brushed, nickel-plated steel ceiling plate and a 10' cord. Bulb not included. 150W/120V. UL listed.

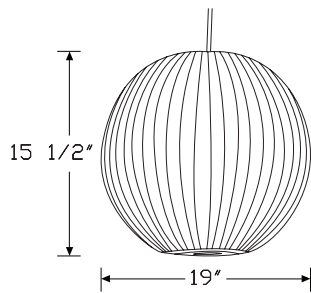
**Notes**

UL rated for bulbs up to 150 watts.

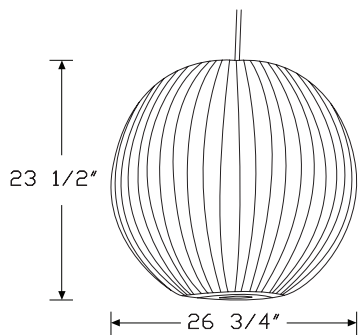
**Dimensions**



Small



Medium



Large

**Specification Information**

**Step 1.**

**H761**

**Step 2. Size**

- S** small
- M** medium
- L** large

**Prices for Steps 1-2.**

<b>H761S</b>	\$460
<b>H761M</b>	\$575
<b>H761L</b>	\$650

**Step 3. Trim Finish**

<b>BNS</b> brushed nickel	+\$0
---------------------------	------

Nelson™ Bell Bubble Pendant

BELLX



HermanMiller Collection—Lighting

**Product Information**

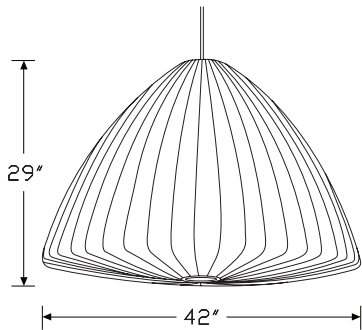
**Description**

The extra-large Nelson™ Bell Bubble Pendant comes with a 5 1/4" brushed, nickel-plated steel ceiling plate and a 9' cord. Bulb not included. 150W/120V. UL listed.

**Notes**

UL rated for bulbs up to 150 watts.

**Dimensions**



**Specification Information**

**Step 1.**

**BELL**

**Step 2. Size**

**XL** x-large

**Prices for Steps 1-2.**

**BELLXL** \$1370

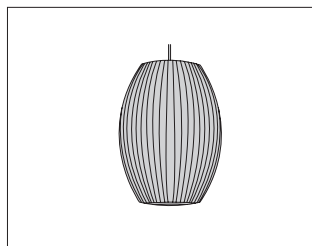
**Step 3. Trim Finish**

**BNS** brushed nickel +\$0



# Nelson™ Cigar Bubble Pendant

H762L  
H762M  
H762S  
H762X



## Product Information

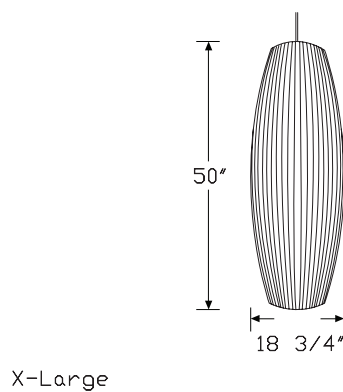
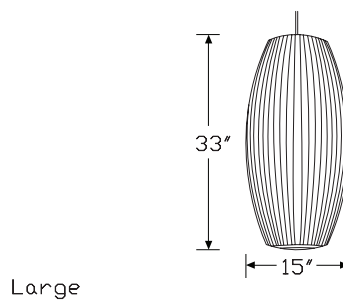
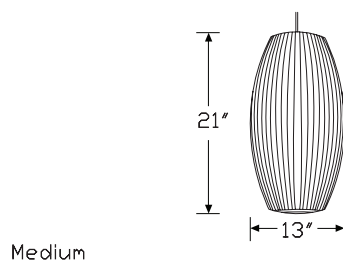
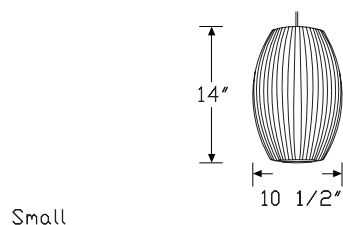
### Description

The Nelson™ Cigar Bubble Pendant is available in 4 sizes. Each lamp comes with a 5<sup>1</sup>/<sub>4</sub>" brushed, nickel-plated steel ceiling plate and a 10' cord. Bulb not included. 150W/120V. UL listed.

### Notes

UL rated for bulbs up to 150 watts.

## Dimensions



# Nelson™ Cigar Bubble Pendant

continued

HermanMiller Collection—Lighting

## Specification Information

Step 1.

**H762**

Step 2. Size

**S** small

**M** medium

**L** large

**XL** x-large

Prices for Steps 1-2.

**H762S** \$460

**H762M** \$575

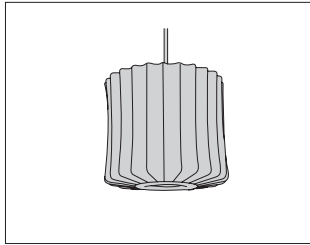
**H762L** \$650

**H762XL** \$1370

Step 3. Trim Finish

**BNS** brushed nickel +\$0

Nelson™ Lantern Bubble Pendant H737S



**Product Information**

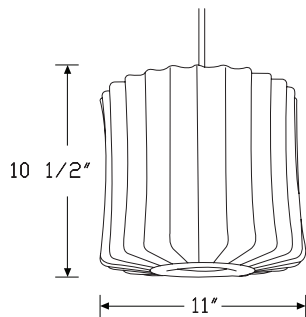
**Description**

The Nelson™ Lantern Bubble Pendant comes with a 5 1/4" brushed, nickel-plated steel ceiling plate and a 10' cord. Bulb not included. 150W/120V. UL listed.

**Notes**

UL rated for bulbs up to 150 watts.

**Dimensions**



**Specification Information**

**Step 1.**

**H737**

**Step 2. Size**

**S** small

**Prices for Steps 1-2.**

**H737S**

\$460

**Step 3. Trim Finish**

**BNS** brushed nickel

+\$0

Nelson™ Pear Bubble Pendant

H770M  
H770S



HermanMiller Collection—Lighting

**Product Information**

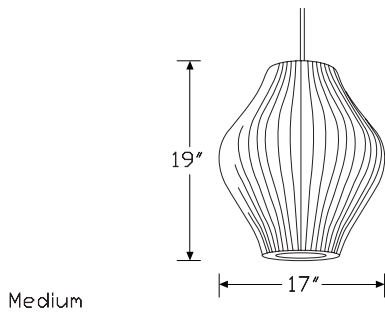
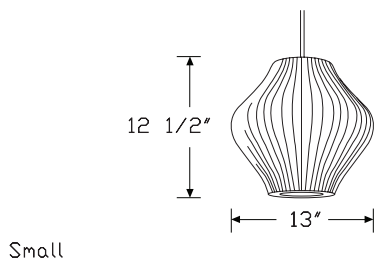
**Description**

The Nelson™ Pear Bubble Pendant is available in 2 sizes. Each lamp comes with a 5 1/4" brushed, nickel-plated steel ceiling plate and a 10' cord. Bulb not included. 150W/120V. UL listed.

**Notes**

UL rated for bulbs up to 150 watts.

**Dimensions**



**Specification Information**

**Step 1.**

**H770**

**Step 2. Size**

- S** small
- M** medium

**Prices for Steps 1-2.**

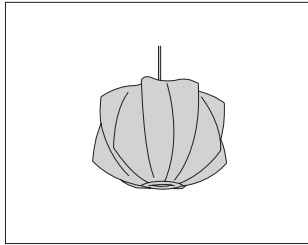
<b>H770S</b>	\$460
<b>H770M</b>	\$575

**Step 3. Trim Finish**

- BNS** brushed nickel + \$0

Nelson™ Propeller Bubble  
Pendant

PROP



**Product Information**

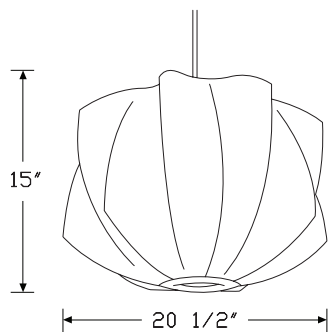
Description

The Nelson™ Propeller Bubble Pendant comes with a 5 1/4" brushed, nickel-plated steel ceiling plate and a 10' cord. Bulb not included. 150W/120V. UL listed.

Notes

UL rated for bulbs up to 150 watts.

Dimensions



**Specification Information**

Step 1.

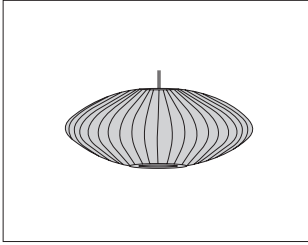
**PROP** \$575

Step 2. Trim Finish

**BNS** brushed nickel +\$0

# Nelson™ Saucer Bubble Pendant

H763L  
H763M  
H763S  
H763X



HermanMiller Collection—Lighting

## Product Information

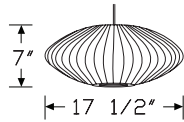
### Description

The Nelson™ Saucer Bubble Pendant is available in 4 sizes. Each lamp comes with a 5 1/4" brushed, nickel-plated steel ceiling plate and a 10' cord. The extra-large lamp has a 9' cord. Bulb not included. 150W/120V for medium, large and extra-large saucers; 60W/120V for small saucers. UL listed.

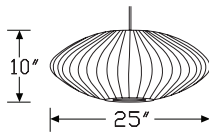
### Notes

UL rated for bulbs up to 150 watts; small saucer 60W/120V and UL rated for bulbs up to 60 watts.

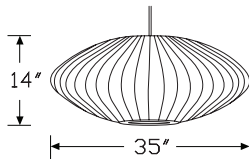
### Dimensions



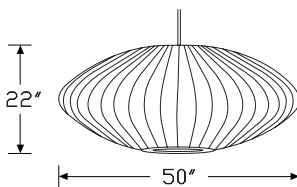
Small



Medium



Large



Extra Large

## Specification Information

### Step 1.

#### H763

### Step 2. Size

<b>S</b>	small
<b>M</b>	medium
<b>L</b>	large
<b>XL</b>	x-large

### Prices for Steps 1-2.

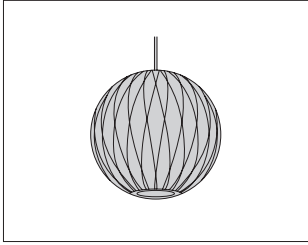
<b>H763S</b>	\$460
<b>H763M</b>	\$575
<b>H763L</b>	\$650
<b>H763XL</b>	\$1370

### Step 3. Trim Finish

<b>BNS</b>	brushed nickel	+ \$0
------------	----------------	-------

Nelson™ Ball Crisscross Bubble Pendant

H761C



**Product Information**

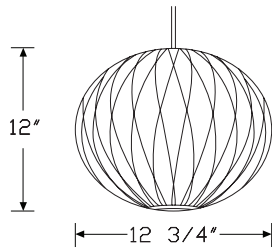
**Description**

The Nelson™ Ball Crisscross Bubble Pendant is available in 2 sizes. Each lamp comes with a 5 3/4" brushed, nickel-plated steel ceiling plate and a 10' cord. Bulb not included. 150W/120V. UL listed.

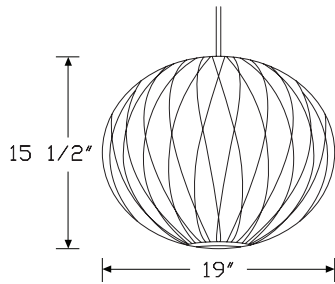
**Notes**

UL rated for bulbs up to 150 watts.

**Dimensions**



Small



Medium

**Specification Information**

**Step 1.**

**H761CC**

**Step 2. Size**

- S** small
- M** medium

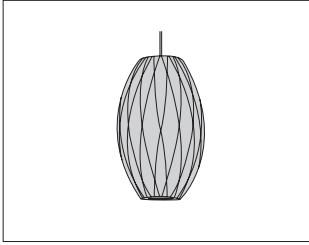
**Prices for Steps 1-2.**

<b>H761CC S</b>	\$460
<b>M</b>	\$575

**Step 3. Trim Finish**

<b>BNS</b> brushed nickel	+\$0
---------------------------	------

Nelson™ Cigar Crisscross Bubble Pendant H762C



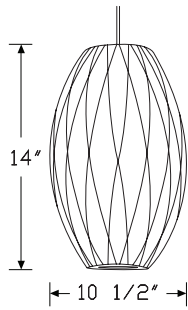
HermanMiller Collection—Lighting

**Product Information**

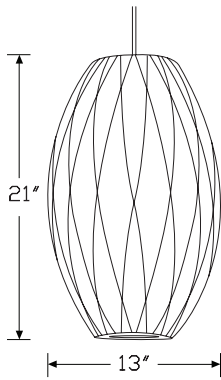
**Description**  
 The Nelson™ Cigar Crisscross Bubble Pendant is available in 2 sizes. Each lamp comes with a 5 1/4" brushed, nickel-plated steel ceiling plate and a 10' cord. Bulb not included. 150W/120V. UL listed.

**Notes**  
 UL rated for bulbs up to 150 watts.

**Dimensions**



Small



Medium

**Specification Information**

**Step 1.**  
**H762CC**

**Step 2. Size**  
**S** small  
**M** medium

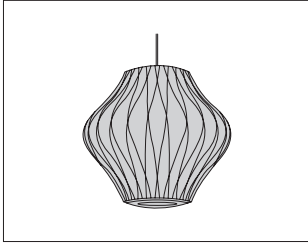
**Prices for Steps 1-2.**  
**H762CC S** \$460  
**M** \$575

**Step 3. Trim Finish**  
**BNS** brushed nickel +\$0



Nelson™ Pear Crisscross Bubble  
Pendant

H770C



**Product Information**

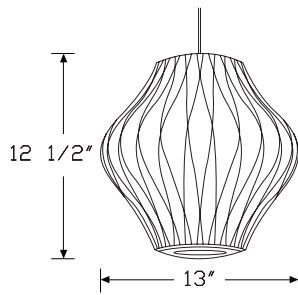
Description

The Nelson™ Pear Crisscross Bubble Pendant is available in 2 sizes. Each lamp comes with a 5 3/4" brushed, nickel-plated steel ceiling plate and a 10' cord. Bulb not included. 150W/120V. UL listed.

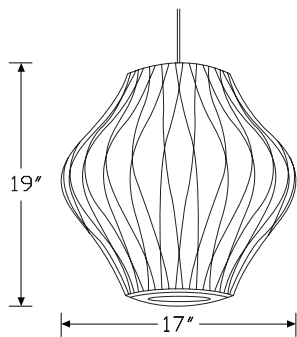
Notes

UL rated for bulbs up to 150 watts.

Dimensions



Small



Medium

**Specification Information**

Step 1.

**H770CC**

Step 2. Size

- S** small
- M** medium

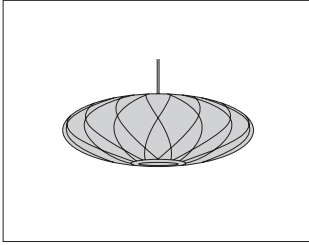
Prices for Steps 1-2.

<b>H770CC S</b>	\$460
<b>M</b>	\$575

Step 3. Trim Finish

<b>BNS</b> brushed nickel	+\$0
---------------------------	------

Nelson™ Saucer Crisscross Bubble Pendant H763C  
Pendant



HermanMiller Collection—Lighting

**Product Information**

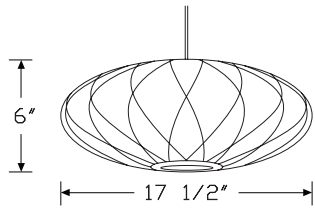
**Description**

The Nelson™ Saucer Crisscross Bubble Pendant is available in 2 sizes. Each lamp comes with a 5 1/4" brushed, nickel-plated steel ceiling plate and a 10' cord. Bulb not included. 150W/120V for medium saucers; 60W/120V for small saucers. UL listed.

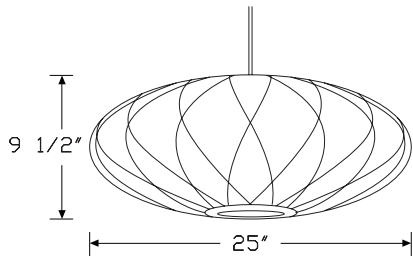
**Notes**

UL rated for bulbs up to 150 watts; small saucer 60W/120V and UL rated for bulbs up to 60 watts.

**Dimensions**



Small



Medium

**Specification Information**

**Step 1.**

**H763CC**

**Step 2. Size**

- S** small
- M** medium

**Prices for Steps 1-2.**

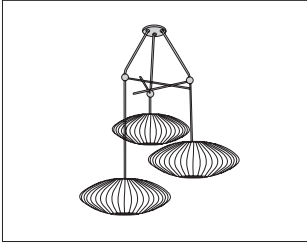
<b>H763CC S</b>	\$460
<b>M</b>	\$575

**Step 3. Trim Finish**

<b>BNS</b> brushed nickel	+\$0
---------------------------	------

Nelson™ Triple Bubble Lamp  
Fixture

B-3-7



**Product Information**

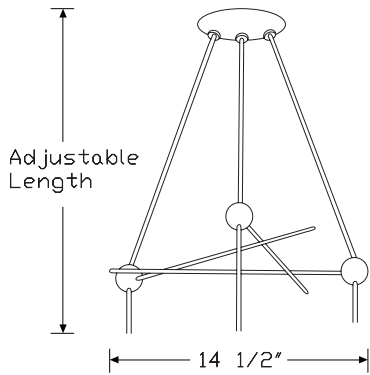
Description

This lamp fixture comes with a 5 1/4" brushed, nickel-plated steel ceiling plate for mounting and metal rods with walnut spheres spaced 14 1/2" apart. Nelson™ Bubble lamps with cord are sold separately.

Notes

For use with this fixture, Bubble Lamp pendants should be 19" in diameter or smaller.

Dimensions



**Specification Information**

Step 1.

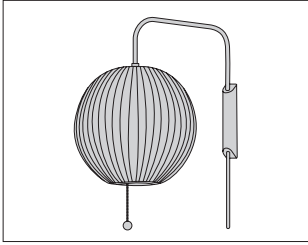
**B-3-740**

\$250

Step 2. Finish

**BNS** brushed nickel

+\$0



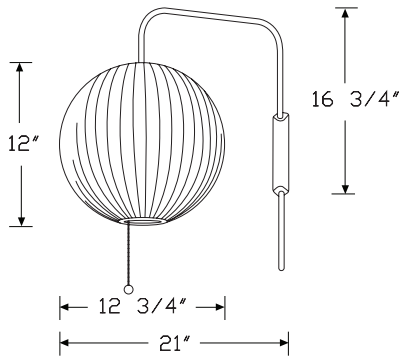
HermanMiller Collection—Lighting

**Product Information**

**Description**  
 The Nelson™ Ball Wall Sconce has a 2"-thick solid walnut wall mount and a brushed-nickel steel arm that extends out approximately 14". The arm has a swivel hinge and an adjustable 12' plug-in cord with a counterweight that allows for height adjustments. The sconce swivels left-to-right and adjusts vertically without changing its wall-mount position. Ships with bulb included. 150W/120V. UL listed.

**Notes**  
 UL rated for bulbs up to 150 watts.

**Dimensions**

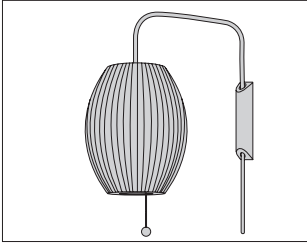


**Specification Information**

<b>Step 1.</b>	
<b>H761SC</b>	\$595
<b>Step 2. Bracket Finish</b>	
<b>WAL</b> walnut	+\$0
<b>Step 3. Arm Finish</b>	
<b>BNS</b> brushed nickel	+\$0

Nelson™ Cigar Wall Sconce

H762S



**Product Information**

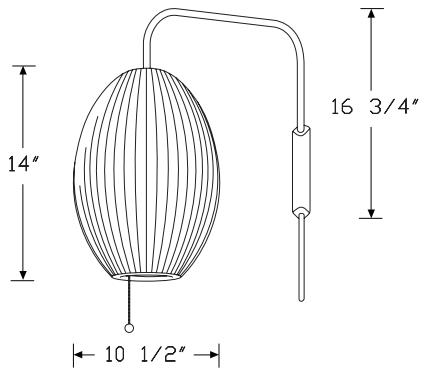
**Description**

The Nelson™ Cigar Wall Sconce has a 2"-thick solid walnut wall mount and a brushed-nickel steel arm that extends out approximately 14". The arm has a swivel hinge and an adjustable 12' plug-in cord with a counterweight that allows for height adjustments. The sconce swivels left-to-right and adjusts vertically without changing its wall-mount position. Ships with bulb included. 150W/120V. UL listed.

**Notes**

UL rated for bulbs up to 150 watts.

**Dimensions**



**Specification Information**

**Step 1.**

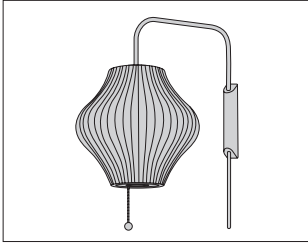
**H762SC** \$595

**Step 2. Bracket Finish**

**WAL** walnut +\$0

**Step 3. Arm Finish**

**BNS** brushed nickel +\$0



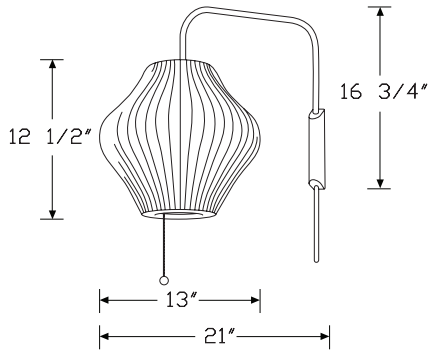
HermanMiller Collection—Lighting

**Product Information**

**Description**  
 The Nelson™ Pear Wall Sconce has a 2"-thick solid walnut wall mount and a brushed-nickel steel arm that extends out approximately 14". The arm has a swivel hinge and an adjustable 12' plug-in cord with a counterweight that allows for height adjustments. The sconce swivels left-to-right and adjusts vertically without changing its wall-mount position. Ships with bulb included. 150W/120V. UL listed.

**Notes**  
 UL rated for bulbs up to 150 watts.

**Dimensions**

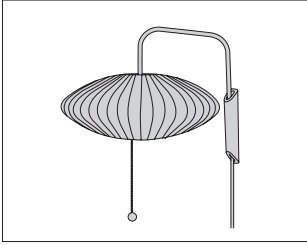


**Specification Information**

<b>Step 1.</b>	
<b>H770SC</b>	\$595
<b>Step 2. Bracket Finish</b>	
<b>WAL</b> walnut	+\$0
<b>Step 3. Arm Finish</b>	
<b>BNS</b> brushed nickel	+\$0

Nelson™ Saucer Wall Sconce

H763S



**Product Information**

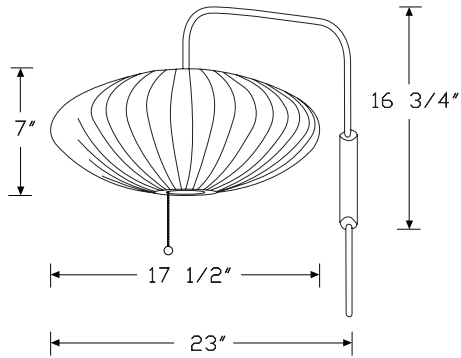
Description

The Nelson™ Saucer Wall Sconce has a 2"-thick solid walnut wall mount and a brushed-nickel steel arm that extends out approximately 14". The arm has a swivel hinge and an adjustable 12' plug-in cord with a counterweight that allows for height adjustments. The sconce swivels left-to-right and adjusts vertically without changing its wall-mount position. Ships with bulb included. 60W/120V. UL listed.

Notes

UL rated for bulbs up to 60 watts.

Dimensions



**Specification Information**

Step 1.

**H763SC** \$595

Step 2. Bracket Finish

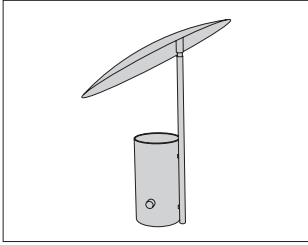
**WAL** walnut +\$0

Step 3. Arm Finish

**BNS** brushed nickel +\$0

# Half Nelson™ Lamp

HALFN

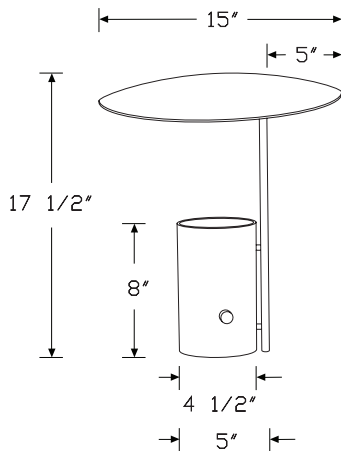


### Product Information

#### Description

The Nelson™ Half Nelson Table Lamp has a pivoting shade that adjusts both left and right, and up and down, to direct light in all directions. The cylinder base is aluminum with a black line-grained anodized finish. The top of the spun aluminum shade has a black line-grained anodized finish, and the underside has a powder-coated white finish. The shade stem is chromed aluminum. The on/off switch is machined anodized aluminum. Black cord is 100" long. Bulb not included. 40W/120V.

### Dimensions



### Specification Information

#### Step 1.

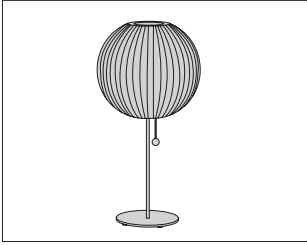
HALFNEL A

\$600



Nelson™ Ball Lotus Table Lamp

H761L

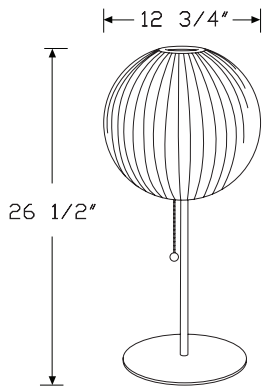


**Product Information**

Description

The Nelson™ Ball Lotus Table Lamp has an 8"-diameter brushed nickel-plated steel base available with or without a walnut cover. The lamp has an on/off pull chain with a solid walnut end. Cord is 86" long. 150W/120V. Ships with bulb included.

Dimensions



**Specification Information**

Step 1.

**H761LT**  A

Step 2. Size

**S** small  A

Prices for Steps 1-2.

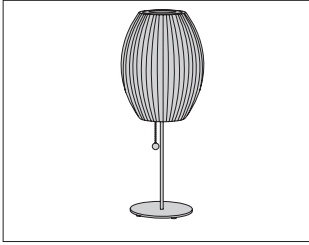
**H761LT S** \$560

Step 3. Base Finish

**BNS** brushed nickel  A +\$0

**WAL** walnut  A +\$70

Nelson™ Cigar Lotus Table Lamp H762L



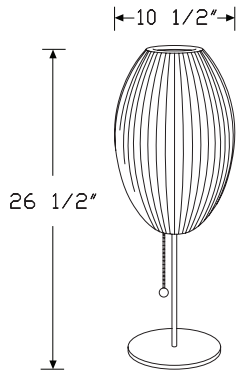
HermanMiller Collection—Lighting

**Product Information**

**Description**

The Nelson™ Cigar Lotus Table Lamp has an 8"-diameter brushed nickel-plated steel base available with or without a walnut cover. The lamp has an on/off pull chain with a solid walnut end. Cord is 86" long. 150W/120V. Ships with bulb included.

**Dimensions**



**Specification Information**

**Step 1.**

**H762LT**  A

**Step 2. Size**

**S** small  A

**Prices for Steps 1-2.**

**H762LT S** \$560

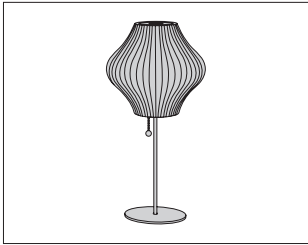
**Step 3. Base Finish**

**BNS** brushed nickel  A +\$0

**WAL** walnut  A +\$70

Nelson™ Pear Lotus Table Lamp

H770L

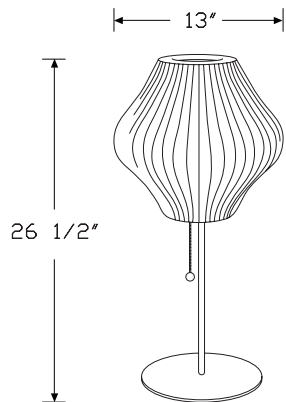


**Product Information**

Description

The Nelson™ Pear Lotus Table Lamp has an 8"-diameter brushed nickel-plated steel base available with or without a walnut cover. The lamp has an on/off pull chain with a solid walnut end. Cord is 86" long. 150W/120V. Ships with bulb included.

Dimensions



**Specification Information**

Step 1.

**H770LT**  A

Step 2. Size

**S** small  A

Prices for Steps 1-2.

**H770LT S** \$560

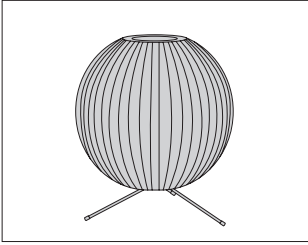
Step 3. Base Finish

**BNS** brushed nickel  A +\$0

**WAL** walnut  A +\$70

Nelson™ Ball Tripod Lamp

H761T



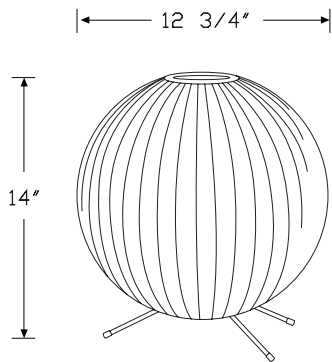
HermanMiller Collection—Lighting

**Product Information**

**Description**  
 The Nelson™ Ball Tripod Lamp has a durable, brushed nickel-plated steel stand, an on/off switch, and a 90" cord. Ships with bulb included. 150W/120V. UL listed.

**Notes**  
 UL rated for bulbs up to 150 watts.

**Dimensions**



**Specification Information**

Step 1.

**H761T**

Step 2. Size

**S** small

Prices for Steps 1-2.

**H761T S** \$510

Step 3. Base Finish

**BNS** brushed nickel +\$0

Nelson™ Cigar Tripod Lamp

H762T



**Product Information**

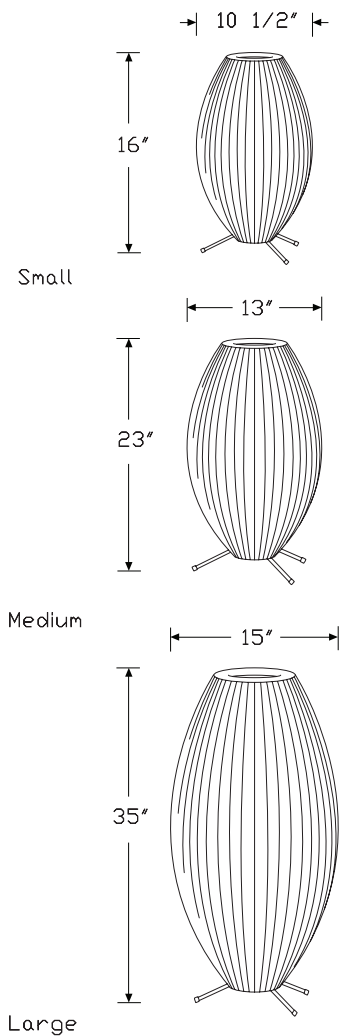
**Description**

The Nelson™ Cigar Tripod Lamp is available in 3 sizes. It has a durable, brushed nickel-plated steel stand, an on/off switch, and a 90" cord. Ships with bulb included. 150W/120V. UL listed.

**Notes**

UL rated for bulbs up to 150 watts.

**Dimensions**



**Specification Information**

**Step 1.**

**H762T**

**Step 2. Size**

- S** small
- M** medium
- L** large

**Prices for Steps 1-2.**

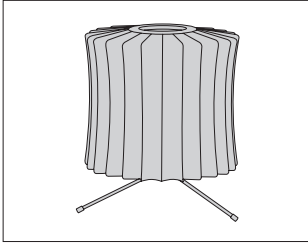
<b>H762T S</b>	\$510
<b>M</b>	\$625
<b>L</b>	\$625

**Step 3. Base Finish**

<b>BNS</b> brushed nickel	+ \$0
---------------------------	-------

# Nelson™ Lantern Tripod Lamp

H737T



HermanMiller Collection—Lighting

### Product Information

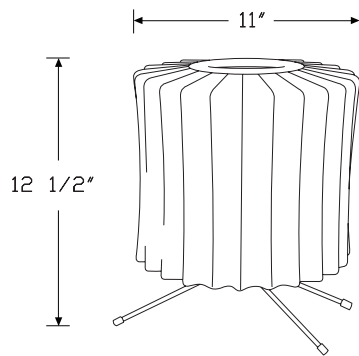
#### Description

The Nelson™ Lantern Tripod Lamp has a durable, brushed nickel-plated steel stand, an on/off switch, and a 90" cord. Ships with bulb included. 150W/120V. UL listed.

#### Notes

UL rated for bulbs up to 150 watts.

#### Dimensions



### Specification Information

#### Step 1.

**H737T**

#### Step 2. Size

**S** small

#### Prices for Steps 1-2.

**H737T S** \$510

#### Step 3. Base Finish

**BNS** brushed nickel +\$0

Nelson™ Pear Tripod Lamp

H770T



**Product Information**

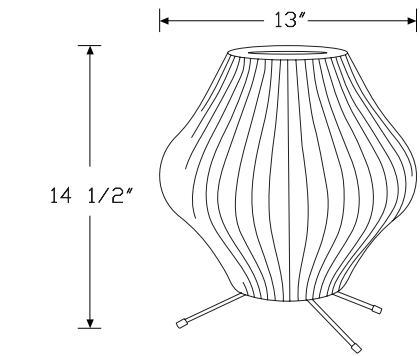
Description

The Nelson™ Pear Tripod Lamp is available in 2 sizes. It has a durable, brushed nickel-plated steel stand, an on/off switch, and a 90" cord. Ships with bulb included. 150W/120V. UL listed.

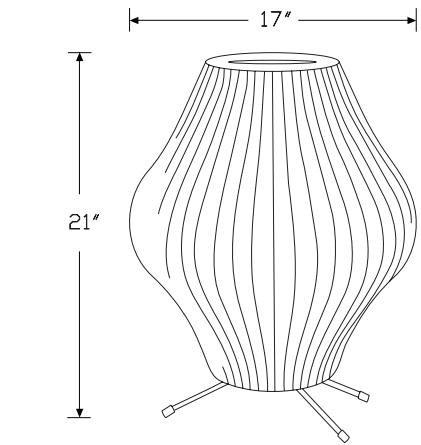
Notes

UL rated for bulbs up to 150 watts.

Dimensions



Small



Medium

**Specification Information**

Step 1.

**H770T**

Step 2. Size

- S** small
- M** medium

Prices for Steps 1-2.

<b>H770T S</b>	\$510
<b>M</b>	\$625

Step 3. Base Finish

<b>BNS</b> brushed nickel	+\$0
---------------------------	------

Nelson™ Cigar Lotus Floor Lamp H762L

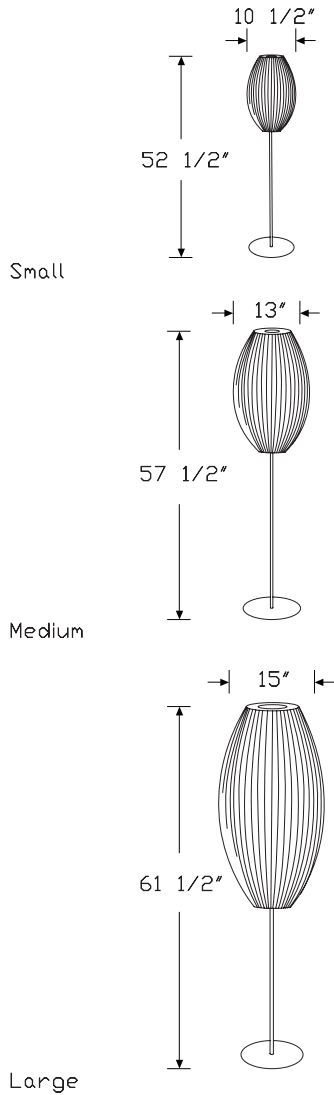


HermanMiller Collection—Lighting

**Product Information**

**Description**  
 The Nelson™ Cigar Lotus Floor Lamp is available in 3 sizes. It has a 10"-diameter brushed nickel-plated steel stand with a 6½-pound base for stability, available with or without a walnut cover. The lamp has an on/off floor switch and a 9' cord. Ships with bulb included. 150W/120V.

**Dimensions**



**Specification Information**

**Step 1.**

**H762LF**

**Step 2. Size**

**S** small

**M** medium

**L** large

**Prices for Steps 1-2.**

<b>H762LF S</b>	\$650
<b>M</b>	\$775
<b>L</b>	\$850

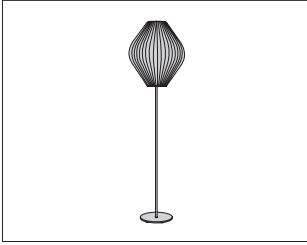
**Step 3. Base Finish**

<b>BNS</b> brushed nickel <input type="checkbox"/>	+\$0
<b>WAL</b> walnut <input type="checkbox"/>	+\$70



Nelson™ Pear Lotus Floor Lamp

H770L

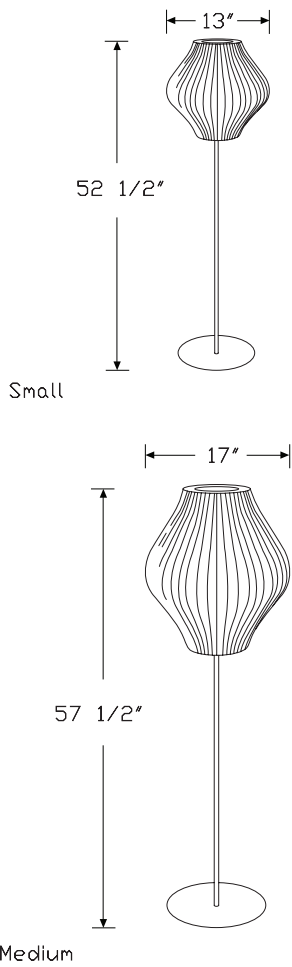


**Product Information**

**Description**

The Nelson™ Pear Lotus Floor Lamp is available in 2 sizes. It has a 10"-diameter brushed nickel-plated steel stand with a 6½-pound base for stability, available with or without a walnut cover. Base is brushed nickel and comes with or without a walnut cover. The lamp has an on/off floor switch and a 9' cord. Ships with bulb included. 150W/120V.

**Dimensions**



**Specification Information**

**Step 1.**

**H770LF**  A

**Step 2. Size**

**S** small  A

**M** medium  A

**Prices for Steps 1-2.**

<b>H770LF S</b>	\$650
<b>M</b>	\$775

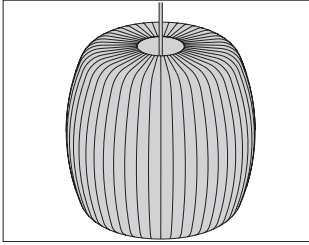
**Step 3. Base Finish**

**BNS** brushed nickel  A +\$0

**WAL** walnut  A +\$70

Nelson™ Roll Bubble Pendant

H764M



HermanMiller Collection—Lighting

**Product Information**

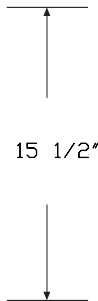
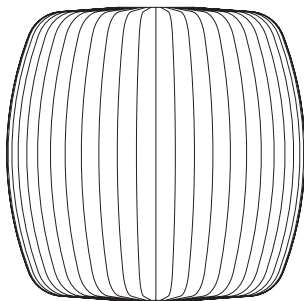
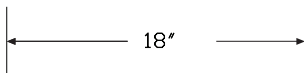
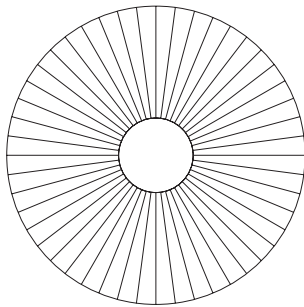
Description

The Nelson™ Roll Bubble Pendant comes with a 5 1/4" brushed, nickel-plated steel ceiling plate and a 10' cord. Bulb not included. 150W/120V. UL listed.

Notes

UL rated for bulbs up to 150 watts.

Dimensions



**Specification Information**

Step 1.

**H764**  A

Step 2. Size

**M** medium  A

Prices for Steps 1-2.

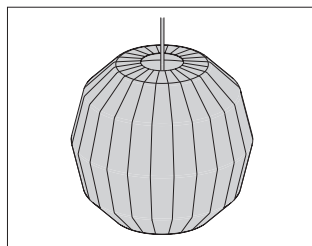
**H764M** \$587

Step 3. Trim Finish

**BNS** brushed nickel  A +\$0

# Nelson™ Angled Bubble Pendant

H769L  
H769M  
H769S



## Product Information

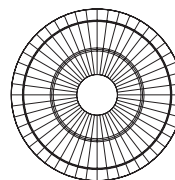
### Description

The Nelson™ Angled Sphere Bubble Pendant is available in 3 sizes. Each lamp comes with a 5 1/4" brushed, nickel-plated steel ceiling plate and a 10' cord. Bulb not included. 150W/120V. UL listed.

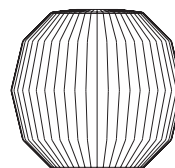
### Notes

UL rated for bulbs up to 150 watts.

## Dimensions



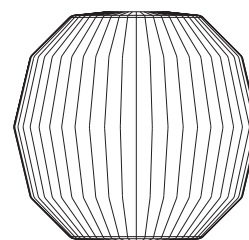
14"



9 1/2"

Small

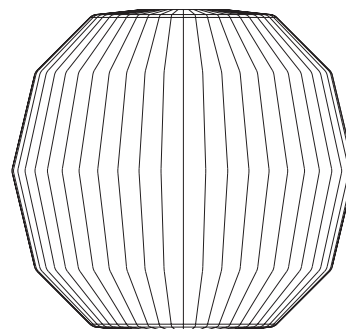
20"



15"

Medium

28"



22"

Large

# Nelson™ Angled Bubble Pendant

continued

HermanMiller Collection—Lighting

## Specification Information

Step 1.

**H769**  A

Step 2. Size

**S** small  A

**M** medium  A

**L** large  A

Prices for Steps 1-2.

**H769S** \$469

**H769M** \$587

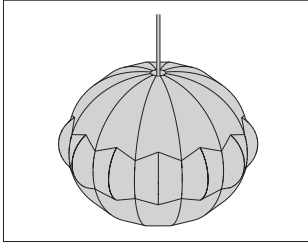
**H769L** \$663

Step 3. Trim Finish

**BNS** brushed nickel  A +\$0

Nelson™ Orbit Bubble Pendant

H771M  
H771S



**Product Information**

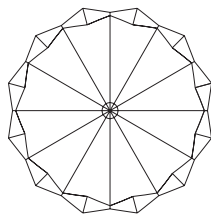
**Description**

The Nelson™ Orbit Bubble Pendant is available in 2 sizes. Each lamp comes with a 5 1/4" brushed, nickel-plated steel ceiling plate and a 10' cord. Bulb not included. 150W/120V. UL listed.

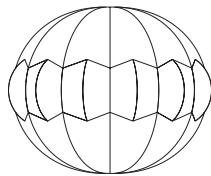
**Notes**

UL rated for bulbs up to 150 watts.

**Dimensions**



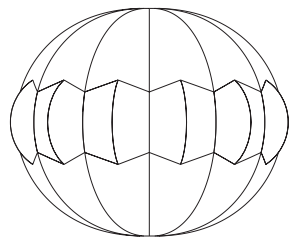
14"



Small

9.5"

20"



Medium

16"

**Specification Information**

**Step 1.**

**H771**  A

**Step 2. Size**

**S** small  A

**M** medium  A

**Prices for Steps 1-2.**

**H771S** \$469

**H771M** \$587

**Step 3. Trim Finish**

**BNS** brushed nickel  A +\$0



**Seating**

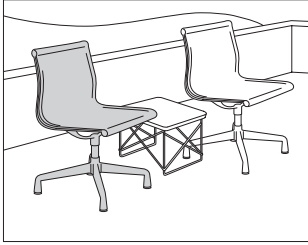
**Tables**





Eames® Aluminum Group Side  
Chair Outdoor

EA506  
EA508

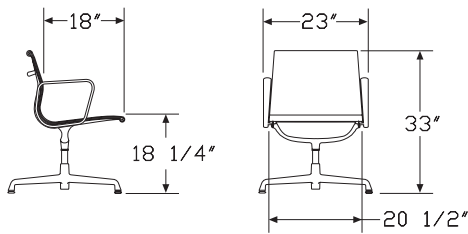


**Product Information**

**Description**

This outdoor low back side chair has a lightweight aluminum frame and suspended mesh upholstery. It has a 4-star base with adjustable glides. The chair is available with or without arms.

**Dimensions**



**Specification Information**

**Step 1.**

**EA50**  A

**Step 2. Arms**

**6** no arms  A

**8** arms  A

**Step 3. Swivel**

**S** swivel base  A

**F** fixed base, no swivel  A

**Prices for Steps 1-3.**

<b>EA506 S</b>	\$1240
<b>F</b>	\$1320

<b>EA508 S</b>	\$1640
<b>F</b>	\$1720

**Step 4. Base/Frame Finish**

**BK** black  A +\$91

**G2** graphite satin  A +\$91

**91** white  A +\$91

**Step 5. Fabric**

Price Category 6 +\$179

# Eames® Wire Chair Outdoor

DKQR.  
DKQX.



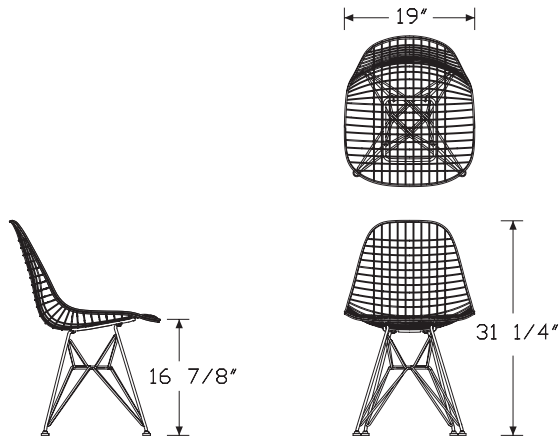
HermanMiller Collection—Outdoor Seating

## Product Information

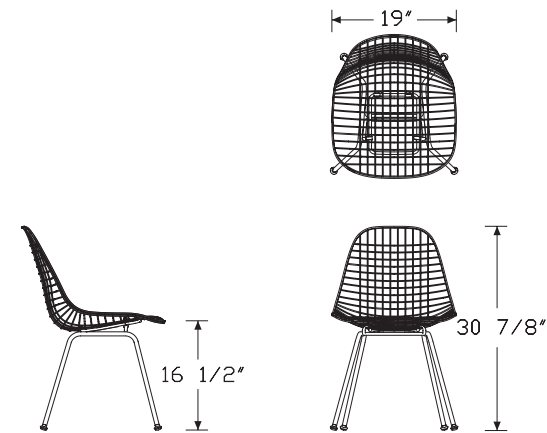
### Description

This outdoor chair has a wire shell with wire base or 4-leg base. Finish is white or black. Chair comes with standard outdoor glides.

### Dimensions



Wire Base



4-Leg Base

## Specification Information

### Step 1.

**DKQ**  A

### Step 2. Base

**R.0** wire base  A

**X.0** 4 leg base  A

### Prices for Steps 1-2.

**DKQR.0** \$799

**DKQX.0** \$789

### Step 3. Seat Frame/Leg Finish

**91** white  A +\$0

**BK** black  A +\$0

### Step 4. Glide Option

**E8** standard glide  A +\$0

Eames® Wire Stool Outdoor

DKHQBX  
DKHQCX

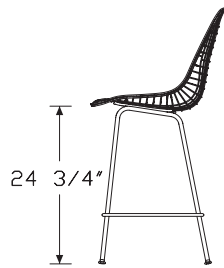
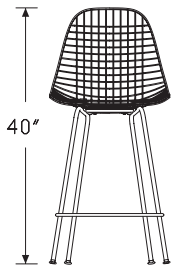
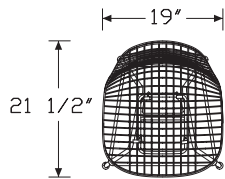


**Product Information**

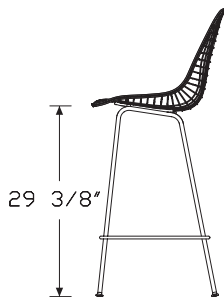
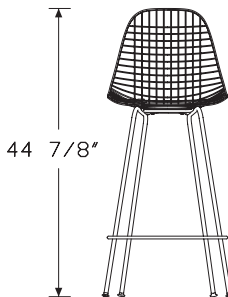
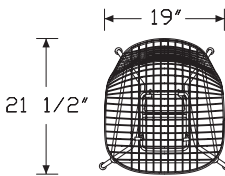
**Description**

This outdoor stool has a wire shell and is available in bar height or counter height. Finish is white or black. Stool comes with standard outdoor glides.

**Dimensions**



Counter Height



Bar Height

**Specification Information**

Step 1.

**DKHQ**  A

Step 2. Base Height

**BX.** bar height stool  A

**CX.** counter height stool  A

Prices for Steps 1-2.

<b>DKHQBX.</b>	\$1075
<b>DKHQCX.</b>	\$1055

Step 3. Seat Frame/Leg Finish

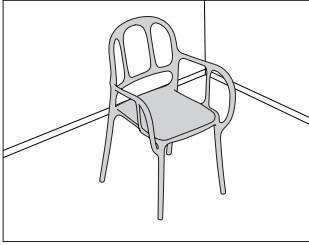
<b>91</b> white <input type="checkbox"/> A	+ \$0
<b>BK</b> black <input type="checkbox"/> A	+ \$0

Step 4. Glide Option

<b>E8</b> standard glide <input type="checkbox"/> A	+ \$0
---	-------

Mila Chair

XXSD2



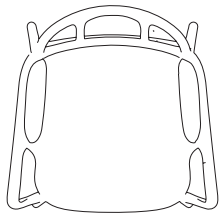
HermanMiller Collection—Outdoor Seating

**Product Information**

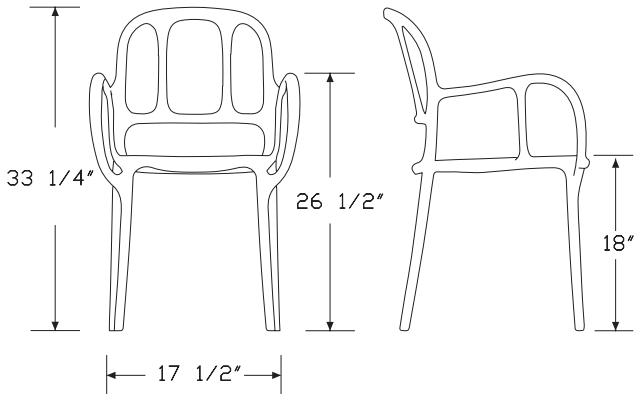
**Description**

This stacking plastic chair is suitable for indoor or outdoor use. Stacks up to 6 high. Package contains 2 chairs.

**Dimensions**



← 21 3/4" →



**Specification Information**

**Step 1.**

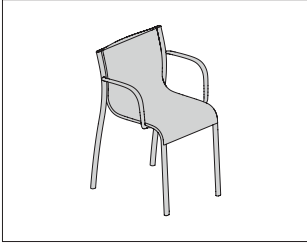
**XXSD2100** [A] \$778

**Step 2. Finish**

- 1484C** red [A] +\$0
- 1556C** dark green [A] +\$0
- 1666C** yellow [A] +\$0
- 1733C** beige [A] +\$0
- 1738C** white +\$0
- 1769C** black +\$0

Paso Doble Chair Outdoor

MGP10.

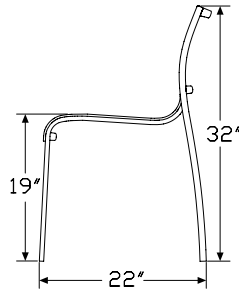
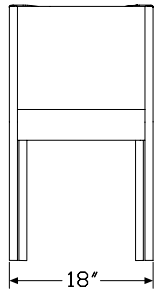
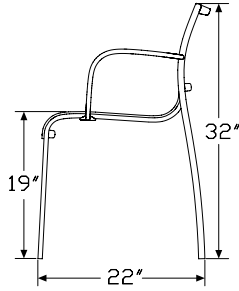
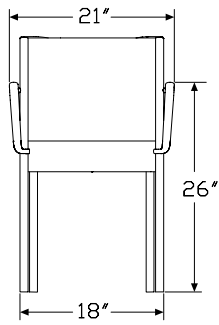


**Product Information**

**Description**

This outdoor stacking chair has an aluminum frame and is available with or without arms. The arms and crosspieces come in die-cast aluminum. Chairs can stack up to 5 high. Package contains 2 chairs.

**Dimensions**



**Specification Information**

**Step 1.**

**MGP10.**  A

**Step 2. Arms**

**N** no arms  A

**A** arms  A

**Prices for Steps 1-2.**

**MGP10.N** \$1315

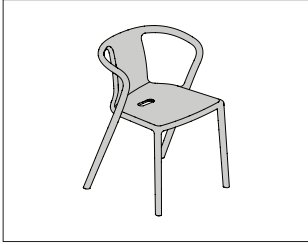
**A** \$1815

**Step 3. Chair Color**

**YKB** black  A +\$0

# Air-Chair

MGA00.



HermanMiller Collection—Outdoor Seating

## Product Information

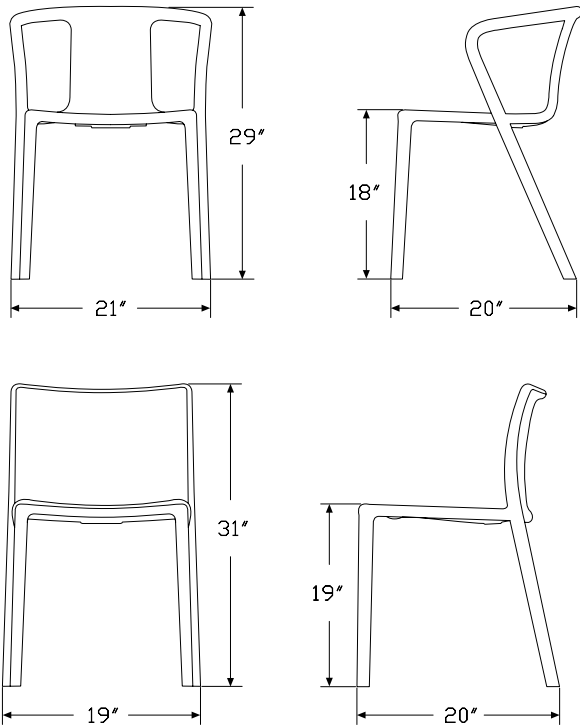
### Description

This stacking chair is available with or without arms and is made from polypropylene with glass fibre added. Chairs can stack up to 10 high. Package contains 4 chairs.

### Notes

This chair is suitable for outdoor use.

### Dimensions



## Specification Information

### Step 1.

**MGA00.**

### Step 2. Arms

- N** no arms
- A** arms

### Prices for Steps 1-2.

<b>MGA00.N</b>	\$773
<b>A</b>	\$858

### Step 3. Finish

#### For no arms (N)

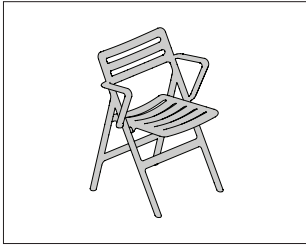
<b>YBB</b> beige <input type="checkbox"/>	+\$0
<b>YBC</b> black <input type="checkbox"/>	+\$0
<b>YBH</b> green <input type="checkbox"/>	+\$0
<b>YBM</b> orange <input type="checkbox"/>	+\$0
<b>YBP</b> white	+\$0
<b>PWH</b> pure white <input type="checkbox"/>	+\$0

#### For arms (A)

<b>YBB</b> beige <input type="checkbox"/>	+\$0
<b>YBH</b> green <input type="checkbox"/>	+\$0
<b>YBJ</b> grey anthracite <input type="checkbox"/>	+\$0
<b>YBM</b> orange <input type="checkbox"/>	+\$0
<b>YBP</b> white	+\$0
<b>PWH</b> pure white <input type="checkbox"/>	+\$0

# Air-Folding Chair

MGA01.



### Product Information

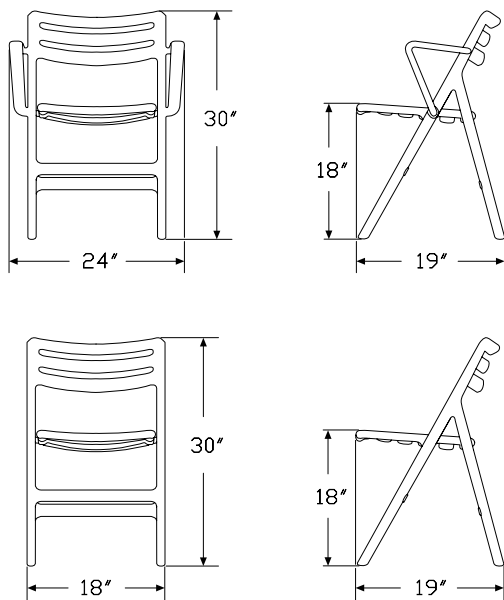
#### Description

This folding chair is made from polypropylene with glass fibre added. It is available with or without arms. Package contains 2 chairs.

#### Notes

This chair is suitable for outdoor use.

#### Dimensions



### Specification Information

#### Step 1.

**MGA01.**

#### Step 2. Arms

**N** no arms  
**A** arms

#### Prices for Steps 1-2.

<b>MGA01.N</b>	\$428
<b>A</b>	\$474

#### Step 3. Finish

#### For no arms (N)

<b>YBH</b> green <input type="checkbox"/>	+\$0
<b>YBM</b> orange <input type="checkbox"/>	+\$0
<b>YBP</b> white	+\$0

#### For arms (A)

<b>YBP</b> white	+\$0
------------------	------

Chair\_One Stacking Base

MGE00.



HermanMiller Collection—Outdoor Seating

**Product Information**

**Description**

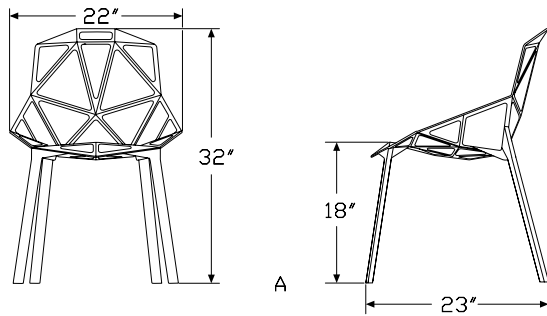
This chair comes with a four-leg base. Chairs can stack up to 8 high. Package contains 2 chairs.

**Notes**

Chairs with painted aluminum seat and legs or painted aluminum seat/ polished aluminum legs are suitable for outdoor use.

Chairs with polished aluminum seat and legs (AL) are NOT suitable for outdoor use.

**Dimensions**



**Specification Information**

**Step 1.**

**MGE00.A** [A]

**Step 2. Seat/Leg Material**

**PA** painted aluminum seat and legs [A]

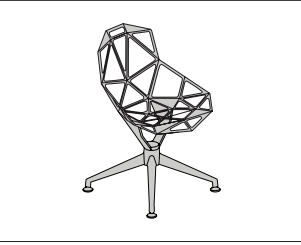
**Prices for Steps 1-2.**

**MGE00.A PA** \$1150

**Step 3. Seat Finish**

- YHB** black [A] +\$0
- YHP** white [A] +\$0
- HAA** ADAPTA grey [A] +\$240
- HAB** ADAPTA white [A] +\$240
- HAC** ADAPTA grey/green [A] +\$240
- HAD** ADAPTA blue [A] +\$240





**Product Information**

**Description**

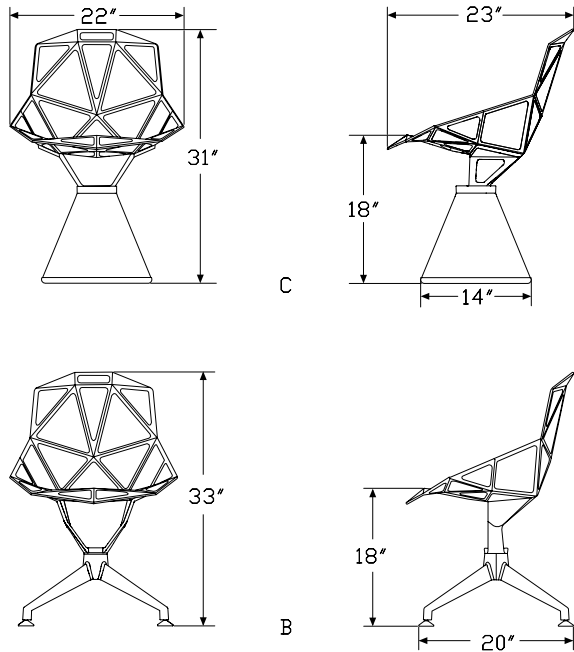
This chair is available with a four-star or concrete base, with or without swivel.

**Notes**

Chairs with painted aluminum seat and legs (PA) or painted aluminum seat and concrete base (PC) are suitable for outdoor use.

Chairs with polished aluminum seat and legs (AL) or polished aluminum with concrete base (PD) are NOT suitable for outdoor use.

**Dimensions**



**Specification Information**

**Step 1.**

**MGE00.** [A]

**Step 2. Base**

- B** 4-star base [A]
- C** concrete base [A]
- D** 4-star base, swivel [A]
- E** concrete base, swivel [A]

**Step 3. Seat/Leg Material**

*For 4-star base (B) or 4-star base, swivel (D)*

**PA** painted aluminum seat and legs [A]

*For concrete base (C) or concrete base, swivel (E)*

**PC** painted aluminum seat/natural concrete base [A]

**Prices for Steps 1-3.**

	PA	PC
<b>MGE00.B</b>	\$730	—
<b>C</b>	—	\$870
<b>D</b>	\$730	—
<b>E</b>	—	\$1130

**Step 4. Seat Finish**

*For 4-star base (B) or 4-star base, swivel (D) with painted aluminum seat and legs (PA)*

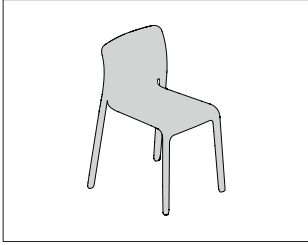
<b>YHB</b> black [A]	+\$0
<b>YHP</b> white [A]	+\$0
<b>HAA</b> ADAPTA grey [A]	+\$240
<b>HAB</b> ADAPTA white [A]	+\$240
<b>HAC</b> ADAPTA grey/green [A]	+\$240
<b>HAD</b> ADAPTA blue [A]	+\$240

*For concrete base (C) or concrete base, swivel (E) with painted aluminum seat/natural concrete base (PC)*

<b>YHB</b> black [A]	+\$0
<b>YHM</b> red [A]	+\$0
<b>YHP</b> white [A]	+\$0
<b>HAA</b> ADAPTA grey [A]	+\$200
<b>HAB</b> ADAPTA white [A]	+\$200
<b>HAC</b> ADAPTA grey/green [A]	+\$200
<b>HAD</b> ADAPTA blue [A]	+\$200

Chair First

MGF00.



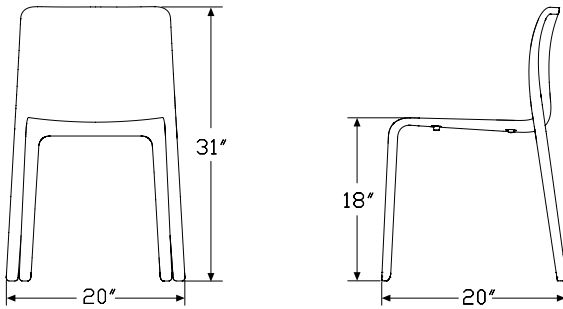
HermanMiller Collection—Outdoor Seating

**Product Information**

**Description**  
 This stacking chair is made from polypropylene with glass fibre added. Chairs can stack up to 10 high. Package contains 4 chairs.

**Notes**  
 Chair is suitable for outdoor use.

**Dimensions**



**Specification Information**

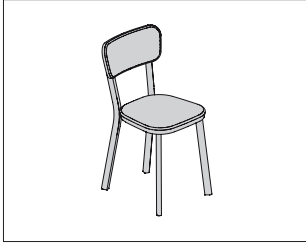
**Step 1.**  
**MGF00.**  A \$1091

**Step 2. Finish**

<b>YGB</b>	beige	<input type="checkbox"/> A	+\$0
<b>YGC</b>	black	<input type="checkbox"/> A	+\$0
<b>YGH</b>	olive green	<input type="checkbox"/> A	+\$0
<b>YGM</b>	white	<input type="checkbox"/> A	+\$0

# Deja-Vu Chair

MGD00.



### Product Information

#### Description

This chair is available in polished or painted aluminum. Painted version is suitable for outdoor use.

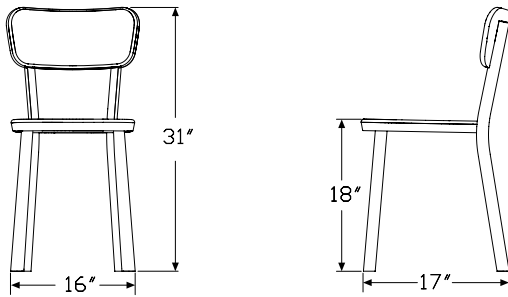
#### Notes

Seat and inner back material is die-cast aluminum. Legs are extruded aluminum.

Painted aluminum (PA) finish is suitable for outdoor use.

Polished aluminum (AL) finish is NOT suitable for outdoor use.

#### Dimensions



### Specification Information

#### Step 1.

**MGD00.**  A

#### Step 2. Finish

**AL** polished aluminum  A

**PA** painted aluminum

#### Prices for Steps 1-2.

<b>MGD00.AL</b>	\$755
<b>PA</b>	\$809

#### Step 3. Leg/Seat/Back Finish

#### For polished aluminum (AL)

**YFD** polished aluminum  A +\$0

#### For painted aluminum (PA)

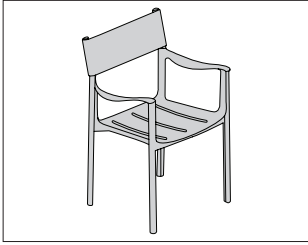
**YFB** black  A +\$0

**YLT** red purple  A +\$0

**YLV** sand beige  A +\$0

# Venice Chair

MGU00.



HermanMiller Collection—Outdoor Seating

## Product Information

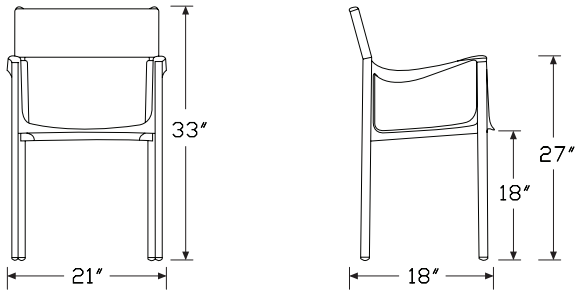
### Description

This stacking chair with arms has a seat of die-cast aluminum, polished or painted in polyester powder. Legs are extruded aluminum, polished or painted in polyester powder. Back is thermoplastic rubber or leather. Chairs stack up to 6 high. Painted frame is suitable for outdoor use. Sold in sets of 2 only.

### Notes

Polished (YCD) frame is NOT suitable for outdoor use.

### Dimensions



## Specification Information

### Step 1.

**MGU00.**  A \$1431

### Step 2. Frame Finish

**YNG** black  A +\$0

**YCD** polished  A +\$1300

### Step 3. Seat Finish

#### For black (YNG)

**YBC** black  A +\$0

**YMP** grey  A +\$0

**YBH** green  A +\$0

**YMN** light blue  A +\$0

**YBG** fuchsia  A +\$0

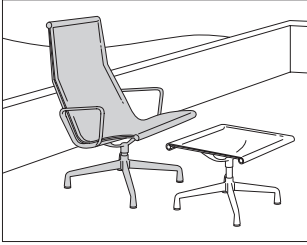
**YBM** orange  A +\$0

#### For polished (YCD)

**YHC** black leather  A +\$0

**YHK** natural leather  A +\$0

Eames® Aluminum Group Lounge Chair Outdoor EA516

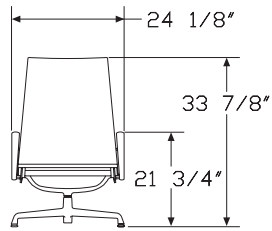
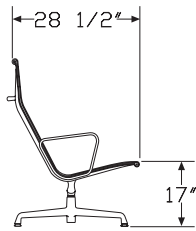


**Product Information**

**Description**

This outdoor lounge chair has a lightweight aluminum frame and suspended mesh upholstery. It has a 4-star swiveling base with adjustable glides.

**Dimensions**



**Specification Information**

**Step 1.**

**EA516** A \$1900

**Step 2. Base/Frame Finish**

**BK** black A +\$140

**G2** graphite satin A +\$140

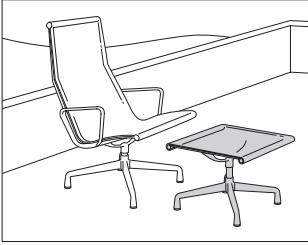
**91** white A +\$140

**Step 3. Fabric**

Price Category 6 +\$236

Eames® Aluminum Group  
Ottoman Outdoor

EA523

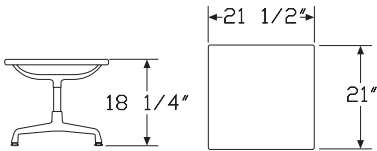


HermanMiller Collection—Outdoor Seating

**Product Information**

**Description**  
This outdoor ottoman has a lightweight aluminum frame and suspended mesh upholstery. It has a 4-star base with adjustable glides.

**Dimensions**

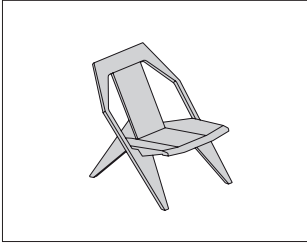


**Specification Information**

<b>Step 1.</b>		
<b>EA523</b>	<b>A</b>	\$910
<b>Step 2. Base/Frame Finish</b>		
<b>BK</b>	black <b>A</b>	+\$72
<b>G2</b>	graphite satin <b>A</b>	+\$72
<b>91</b>	white <b>A</b>	+\$72
<b>Step 3. Fabric</b>		
Price Category 6		+\$125

# Medici Chair Outdoor

MGM01.



### Product Information

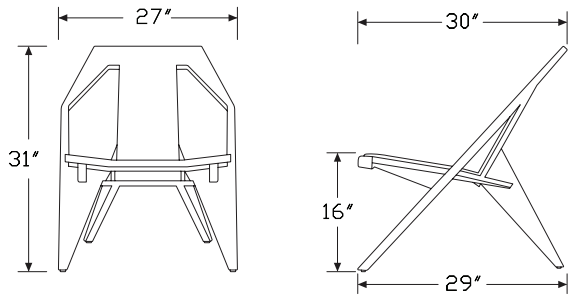
#### Description

This solid wood chair with armrests is available in natural thermo oiled finish. Suitable for outdoor use.

#### Notes

Product should be oiled at least once a year to maintain finish quality. Refer to care and maintenance instructions for applying oil based finishes.

#### Dimensions



### Specification Information

#### Step 1.

**MGM01.**

#### Step 3. Frame Finish

**ZQK** natural thermo oiled

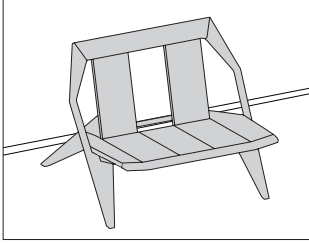
#### Prices for Steps 1-3.

**MGM01.ZQK**

\$1895

# Medici Bench Outdoor

MGM21.



Herman Miller Collection—Outdoor Seating

### Product Information

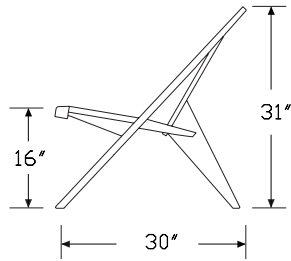
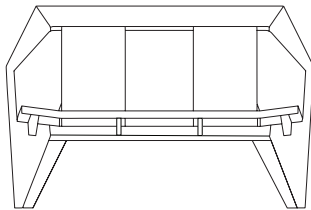
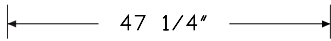
#### Description

This solid wood bench comes in natural thermo oiled finish. Suitable for outdoor use.

#### Notes

Product should be oiled at least once per year to maintain finish quality. Refer to care and maintenance instructions for applying oil based finishes.

### Dimensions



### Specification Information

#### Step 1.

**MGM21.** A

#### Step 2. Frame Finish

**ZQK** natural thermo oiled A

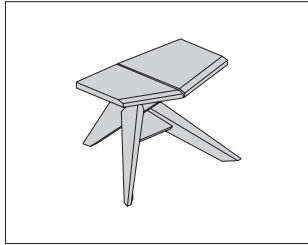
#### Prices for Steps 1-2.

**MGM21.ZQK** \$3795



# Medici Ottoman Outdoor

MGV21.



### Product Information

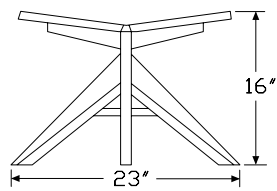
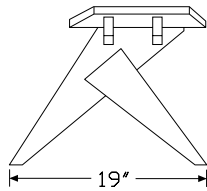
#### Description

This solid wood stool is available in natural thermo oiled finish. Suitable for outdoor use.

#### Notes

Product should be oiled at least once a year to maintain finish quality. Refer to care and maintenance instructions for applying oil based finishes.

#### Dimensions



### Specification Information

#### Step 1.

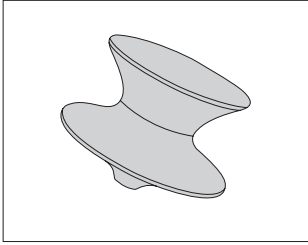
**MGV21.**  A \$1012

#### Step 2. Frame Finish

**ZQK** natural thermo oiled  A +\$0

# Spun Rotating Chair

MGN00.



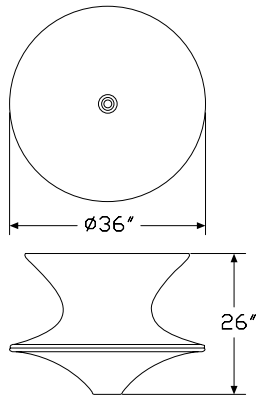
Herman Miller Collection—Outdoor Seating

## Product Information

### Description

This rotating low chair is made from polyethylene and is suitable for outdoor use.

### Dimensions



## Specification Information

### Step 1.

**MGN00.**

\$825

### Step 2. Finish

<b>YLB</b>	dark purple <input type="checkbox"/>	+\$0
<b>YLD</b>	red <input type="checkbox"/>	+\$0
<b>YLG</b>	white <input type="checkbox"/>	+\$0
<b>YLH</b>	grey anthracite <input type="checkbox"/>	+\$0



**Product Information**

**Description**

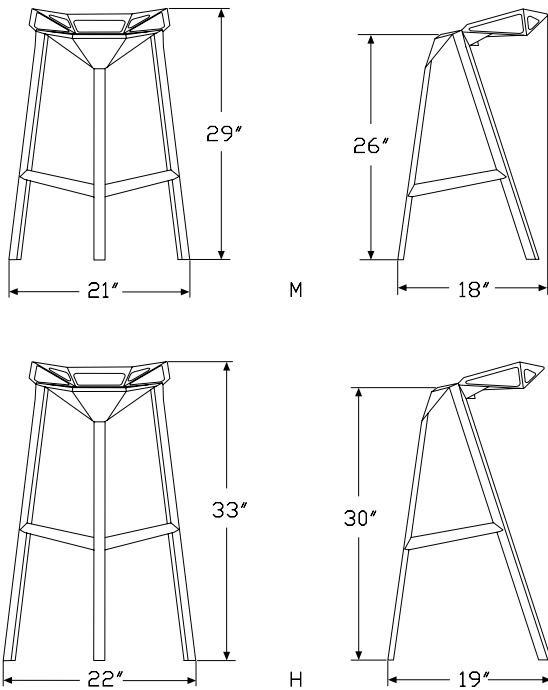
This bar stool comes in a high and medium height. The seat and leg finishes available are painted aluminum, polished aluminum and anodized aluminum black. Bar stools can stack up to 4 high. Package contains 2 bar stools.

**Notes**

Stool is flame retardant.

Polished aluminum (AL) finish is NOT suitable for outdoor use.

**Dimensions**



**Specification Information**

**Step 1.**

**MGE20.** [A]

**Step 2. Height**

**M** medium height [A]

**H** high height [A]

**Step 3. Seat/Leg Material**

**AM** painted aluminum [A]

**AB** anodized aluminum black [A]

**AL** polished aluminum [A]

**Prices for Steps 1-3.**

	AM	AB	AL
<b>MGE20.M</b>	\$965	1017	1545
<b>H</b>	\$1028	1071	1609

**Step 4. Seat/Leg Finish**

*For painted aluminum (AM)*

<b>YHM</b> red [A]			+\$0
<b>YHP</b> white [A]			+\$0
<b>HAA</b> ADAPTA grey [A]			+\$240
<b>HAB</b> ADAPTA white [A]			+\$240
<b>HAC</b> ADAPTA grey/green [A]			+\$240
<b>HAD</b> ADAPTA blue [A]			+\$240

*For anodized aluminum black (AB)*

<b>YHB</b> black [A]			+\$0
----------------------	--	--	------

*For anodized aluminum black (AB)*

<b>YHB</b> black [A]			+\$0
----------------------	--	--	------

# Deja-Vu Stool

MGD20.



HermanMiller Collection—Outdoor Seating

## Product Information

### Description

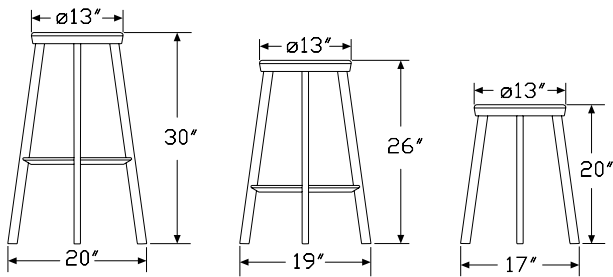
This bar stool is available in a high, medium, and low height. The seat and leg finishes are available in black, white, polished aluminum, red purple and sand beige.

### Notes

Black (YFB) finish is suitable for outdoor use.

Polished aluminum (YFD) finish is NOT suitable for outdoor use.

### Dimensions



## Specification Information

### Step 1.

**MGD20.**  A

### Step 2. Height

**L** low height  A

**M** medium height

**H** high height

### Prices for Steps 1-2.

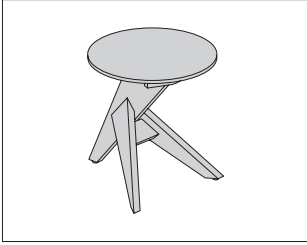
<b>MGD20.L</b>	\$389
<b>M</b>	\$511
<b>H</b>	\$533

### Step 3. Seat/Leg Finish

		L	M	H
<b>YFB</b>	black <input type="checkbox"/> A	+\$0	0	0
<b>YFD</b>	polished aluminum <input type="checkbox"/> A	+\$101	102	92
<b>YLT</b>	red purple <input type="checkbox"/> A	+\$0	0	0
<b>YLV</b>	sand beige <input type="checkbox"/> A	+\$0	0	0

# Medici Table Outdoor

MGV71.



### Product Information

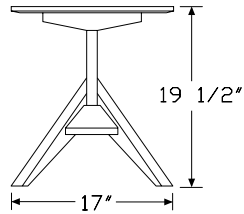
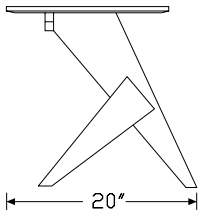
#### Description

This solid wood table is available in natural thermo oiled finish. Suitable for outdoor use.

#### Notes

Product should be oiled at least once a year to maintain finish quality. Refer to care and maintenance instructions for applying oil based finishes.

#### Dimensions



### Specification Information

#### Step 1.

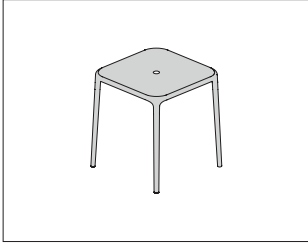
**MGV71.** [A] \$1078

#### Step 2. Frame Finish

**ZQK** natural thermo oiled [A] +\$0

# Air-Table

MGA70.



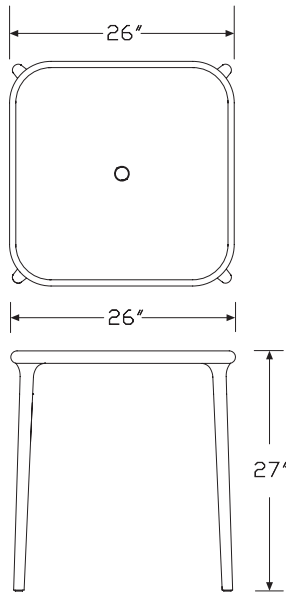
HermanMiller Collection—Outdoor Tables

## Product Information

**Description**  
 This stacking and KD table is made from polypropylene with glass fibre added. It is available in a triangle or square shape. Tables can stack up to 5 high.

**Notes**  
 This table is suitable for outdoor use.

## Dimensions



## Specification Information

**Step 1.**

**MGA70.**  A

**Step 2. Shape**

**S** square  A

**Prices for Steps 1-2.**

**MGA70.S** \$420

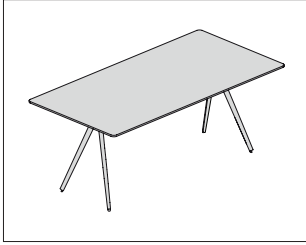
**Step 3. Finish**

**YBB** beige  A +\$0

**YBP** white  A +\$0

# Baguette Table

MGG70.



### Product Information

#### Description

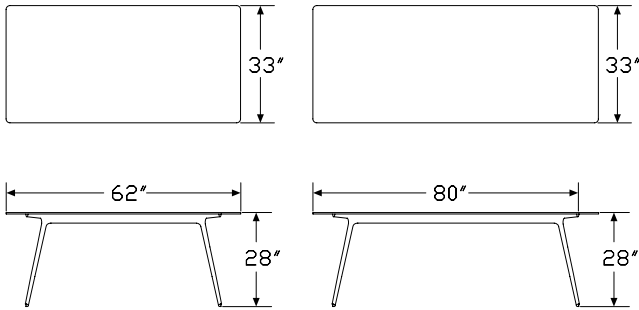
The legs of this table are cast aluminum, available polished or painted. The crosspiece is aluminum, also available polished or painted.

#### Notes

Painted (YCB, YCF) base with ardesia slate (YCJ) tables are suitable for outdoor use.

Other tops (WNT, YCB, YCF, YCC) and polished (YCD) base are NOT suitable for outdoor use.

#### Dimensions



### Specification Information

#### Step 1.

**MGG70.**

#### Step 2. Size

**3362** 33" x 62" rectangular

**3380** 33" x 80" rectangular

#### Prices for Steps 1-2.

<b>MGG70.3362</b>	\$2108
<b>3380</b>	\$2313

#### Step 3. Frame Finish

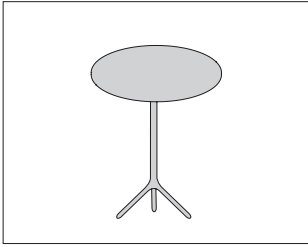
	<b>3362</b>	<b>3380</b>
<b>YCB</b> black <input type="checkbox"/>	+\$0	0
<b>YCF</b> white <input type="checkbox"/>	+\$0	0
<b>YCD</b> polished <input type="checkbox"/>	+\$350	351

#### Step 4. Top Finish

	<b>3362</b>	<b>3380</b>
<b>WNT</b> walnut <input type="checkbox"/>	+\$1682	2380
<b>YCB</b> black <input type="checkbox"/>	+\$0	0
<b>YCF</b> white <input type="checkbox"/>	+\$0	0
<b>YCC</b> extraclear glass <input type="checkbox"/>	+\$443	513
<b>YCJ</b> magis® ardesia slate <input type="checkbox"/>	+\$986	1022

# Central Table

MGG80.



HermanMiller Collection—Outdoor Tables

### Product Information

#### Description

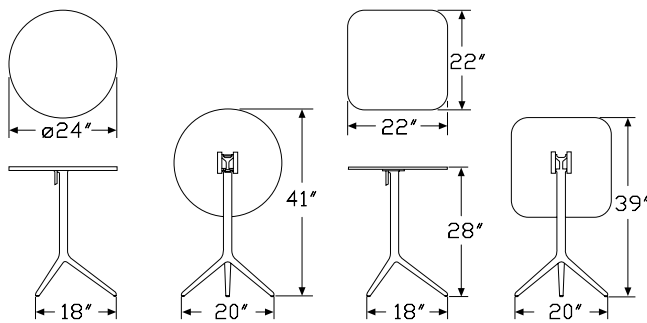
This table is available in a round or square shape. The frame is cast aluminum, available polished or painted.

#### Notes

For square table, polished aluminum frame is not available. Black or white finishes only.

Polished (YCD) option is NOT suitable for outdoor use.

#### Dimensions



### Specification Information

#### Step 1.

**MGG80.**  A

#### Step 2. Shape

**R** round  A

**S** square  A

#### Prices for Steps 1-2.

<b>MGG80.R</b>	\$1006
<b>S</b>	\$1006

#### Step 3. Frame/Top Finish

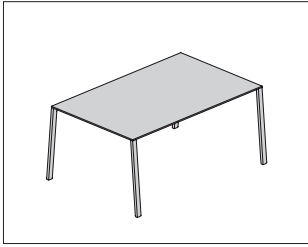
#### For round (R)

<b>YCB</b> black <input type="checkbox"/> A	+\$0
<b>YCF</b> white <input type="checkbox"/> A	+\$91
<b>YCD</b> polished <input type="checkbox"/> A	+\$493

#### For square (S)

<b>YCB</b> black <input type="checkbox"/> A	+\$0
<b>YCF</b> white <input type="checkbox"/> A	+\$91





**Product Information**

**Description**

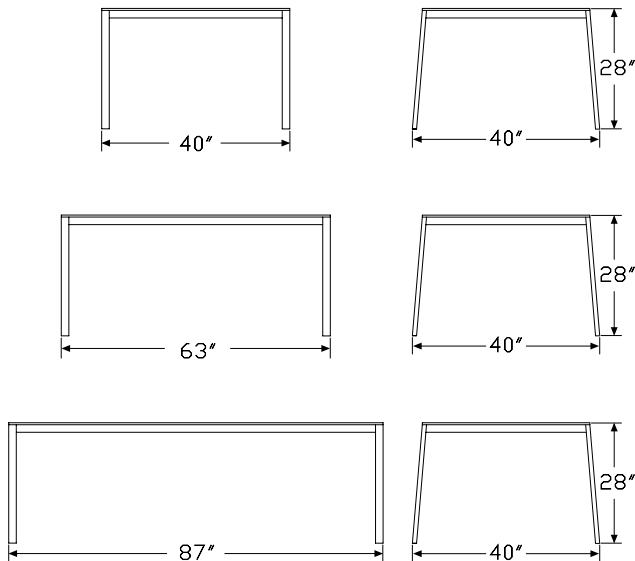
The frame of this table is an anodised aluminum tube. Joints are die-cast aluminum, available polished or painted. The top is high pressure laminate and comes in black or white. The base finish is available in polished aluminum and black.

**Notes**

Table thickness is 1/2".

Black (YHB) base with black (YHB) top combination is suitable for outdoor use.

**Dimensions**



**Specification Information**

**Step 1.**

**MGE70.** [A]

**Step 2. Size**

- 4040** 40" x 40" [A]
- 6340** 63" x 40" [A]
- 8740** 87" x 40" [A]

**Prices for Steps 1-2.**

<b>MGE70.4040</b>	\$1839
<b>6340</b>	\$2155
<b>8740</b>	\$2798

**Step 3. Base Finish**

- YHQ** polished aluminum [A] +\$0
- YHB** black [A] +\$0

**Step 4. Top Finish**

*For 40" x 40" (4040) with polished aluminum (YHQ)*

- YHB** black [A] +\$0
- YHP** white [A] +\$397

**Step 5. Top Finish**

*For 63" x 40" (6340) with polished aluminum (YHQ)*

- YHB** black [A] +\$0
- YHP** white [A] +\$554

**Step 6. Top Finish**

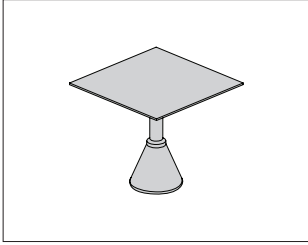
*For 87" x 40" (8740) with polished aluminum (YHQ)*

- YHB** black [A] +\$0
- YHP** white [A] +\$1413

**Step 7. Top Finish**

*For black (YHB)*

- YHB** black [A] +\$0



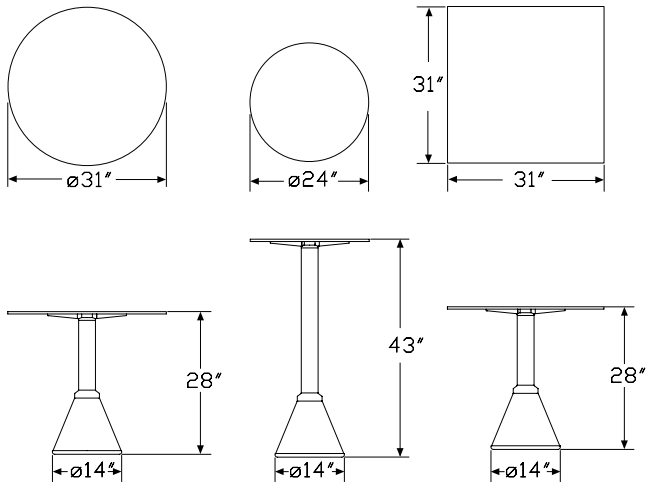
**Product Information**

**Description**  
 The shape of this table is available in round or square with a concrete base. The frame is an anodised aluminum tube. The top is high pressure laminate. Finishes for the top and base are available in polished aluminum and black.

**Notes**

Table thickness is 1/2".  
 Table is suitable for outdoor use.  
 Polished aluminum (YHQ) base finish is NOT suitable for outdoor use.

**Dimensions**



**Specification Information**

**Step 1.**

**MGE80.** [A]

**Step 2. Shape and Height**

- R28** round 28" high [A]
- R43** round 43" high [A]
- S28** square 28" high [A]

**Prices for Steps 1-2.**

<b>MGE80.R28</b>	\$1240
<b>R43</b>	\$1130
<b>S28</b>	\$1191

**Step 3. Base Finish**

- YHQ** polished aluminum [A] +\$0
- YHB** black [A] +\$0

**Step 4. Top Finish**

*For polished aluminum (YHQ)*

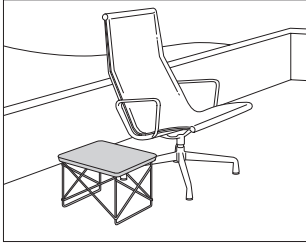
		<b>R28</b>	<b>R43</b>	<b>S28</b>
<b>YHV</b>	white with black edge [A]	+\$0	0	0
<b>YHP</b>	white [A]	+\$199	117	223

*For black (YHB)*

		<b>R28</b>	<b>R43</b>	<b>S28</b>
<b>YHB</b>	black [A]	+\$0	11	0

# Eames® Wire Base Low Table Outdoor

LTRT.



## Product Information

### Description

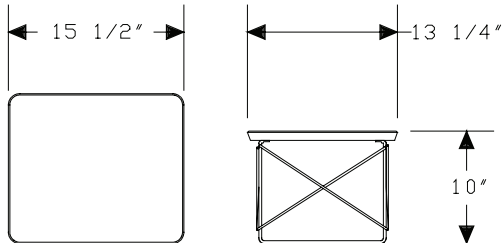
This outdoor table has a 3/4"-thick stone top or a thin profile HPL top. The base is powder-coated wire.

### Notes

Stone has a honed finish and knife edge profile.

Natural characteristics in stone cause variations in hues, veins, crystals, and distinctive marks. These variations and subtle changes seen as the stone ages are values associated with natural materials. No two tabletops are identically the same; variations in both color and veining are to be expected. Over time the stone may fade in color, staining of the surface may appear, and surface cracks-if not already visible at time of purchase-may appear. Small cracks do not affect the structure of the tabletop.

### Dimensions



## Specification Information

### Step 1.

**LTRT.5**

### Step 2. Top Type

**S** stone

**M** thin profile HPL top

### Prices for Steps 1-2.

<b>LTRT.5 S</b>	\$215
<b>M</b>	\$215

### Step 3. Top Finish

#### For stone (S)

<b>5U</b> georgia grey marble <input type="checkbox"/>	+\$1359
<b>HR</b> wisconsin black marble <input type="checkbox"/>	+\$1419
<b>CRR</b> Carrara marble <input type="checkbox"/>	+\$1289

#### For thin profile HPL top (M)

<b>91</b> white <input type="checkbox"/>	+\$110
<b>BK</b> black <input type="checkbox"/>	+\$110
<b>G1</b> graphite <input type="checkbox"/>	+\$110

### Step 4. Base Finish

<b>91</b> white <input type="checkbox"/>	+\$21
<b>G2</b> graphite satin <input type="checkbox"/>	+\$21
<b>BK</b> black <input type="checkbox"/>	+\$21

## Nelson™ Pedestal Table Outdoor

5451.  
5452.  
5453.  
5454.  
5455.



### Product Information

#### Description

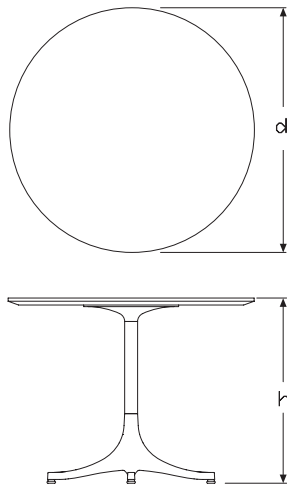
This outdoor table has a 3/4"-thick stone top or a thin profile HPL top and adjustable glides.

#### Notes

Stone has a honed finish and knife edge profile.

Natural characteristics in stone cause variations in hues, veins, crystals, and distinctive marks. These variations and subtle changes seen as the stone ages are values associated with natural materials. No two tabletops are identically the same; variations in both color and veining are to be expected. Over time the stone may fade in color, staining of the surface may appear, and surface cracks-if not already visible at time of purchase-may appear. Small cracks do not affect the structure of the tabletop.

#### Dimensions



### Specification Information

#### Step 1.

545  A

#### Step 2. Height/Diameter

- 1.5 21 1/2" high x 17" diameter
- 5.5 26" high x 17" diameter  A
- 2.5 16" high x 28 1/2" diameter
- 3.5 21 1/2" high x 28 1/2" diameter
- 4.5 26" high x 28 1/2" diameter  A

#### Step 3. Surface Material

- M thin profile HPL top  A
- S stone top  A

#### Prices for Steps 1-3.

5451.5	M	\$850
	S	\$2130
5455.5	M	\$850
	S	\$2130
5452.5	M	\$1850
	S	\$3399
5453.5	M	\$1850
	S	\$3399
5454.5	M	\$1850
	S	\$3399

#### Step 4. Base Finish

91	white	<input type="checkbox"/> A	+\$0
91	white	<input type="checkbox"/> A	+\$30
G2	graphite satin	<input type="checkbox"/> A	+\$0
G2	graphite satin	<input type="checkbox"/> A	+\$30
BK	black	<input type="checkbox"/> A	+\$0
BK	black	<input type="checkbox"/> A	+\$30

# Nelson™ Pedestal Table Outdoor

continued

## Step 5. Top Finish

### For stone top (S)

		1.5	5.5	2.5	3.5	4.5
<b>5U</b>	georgia grey	+\$225	225	360	360	360
	marble <input type="checkbox"/> A					
<b>HR</b>	wisconsin black	+\$631	631	1022	1022	1022
	marble <input type="checkbox"/> A					
<b>CRR</b>	Carrara marble <input type="checkbox"/> A	+\$100	100	285	285	285

### For thin profile HPL top (M)

		1.5	5.5	2.5	3.5	4.5
<b>91</b>	white <input type="checkbox"/> A	+\$0	0	0	0	0
<b>BK</b>	black <input type="checkbox"/> A	+\$0	0	0	0	0
<b>G1</b>	graphite <input type="checkbox"/> A	+\$0	0	0	0	0



# Index by Product Name

<b>HermanMiller Collection Accessories</b>	
360° Container (5 drawer w/casters)	page(s) 645
Beware of Imitations Poster	641
Box	655
Cu-Clock, 4-Pack	646
Dalmatian Puppy	649
Eames® Hang-It-All®	637
Eames® Molded Plywood Folding Screen	638
Environmental Enrichment Panel, Brick	660
Environmental Enrichment Panel, Diagonals	665
Environmental Enrichment Panel, Eyes	663
Environmental Enrichment Panel, Four Leaf Clover	661
Environmental Enrichment Panel, Geometry	666
Environmental Enrichment Panel, Hand & Dove	667
Environmental Enrichment Panel, Ribbons	664
Environmental Enrichment Panel, Stars	662
Geiger Textile Pillow	668
Girard® Throw	639
Half Nelson™ Lamp	688
Media Stand	657
Nelson™ Angled Bubble Pendant	699
Nelson™ Apple Bubble Pendant	670
Nelson™ Ball Bubble Pendant	671
Nelson™ Ball Crisscross Bubble Pendant	679
Nelson™ Ball Lotus Table Lamp	689
Nelson™ Ball Tripod Lamp	692
Nelson™ Ball Wall Sconce	684
Nelson™ Bell Bubble Pendant	672
Nelson™ Cigar Bubble Pendant	673
Nelson™ Cigar Crisscross Bubble Pendant	680
Nelson™ Cigar Lotus Floor Lamp	696
Nelson™ Cigar Lotus Table Lamp	690
Nelson™ Cigar Tripod Lamp	693
Nelson™ Cigar Wall Sconce	685
Nelson™ Fireplace Tool Set	643
Nelson™ Firewood Caddy	642
Nelson™ Lantern Bubble Pendant	675
Nelson™ Lantern Tripod Lamp	694
Nelson™ Orbit Bubble Pendant	701
Nelson™ Pear Bubble Pendant	676
Nelson™ Pear Crisscross Bubble Pendant	681
Nelson™ Pear Lotus Floor Lamp	697
Nelson™ Pear Lotus Table Lamp	691
Nelson™ Pear Tripod Lamp	695
Nelson™ Pear Wall Sconce	686
Nelson™ Propeller Bubble Pendant	677
Nelson™ Roll Bubble Pendant	698

Nelson™ Saucer Bubble Pendant	678
Nelson™ Saucer Crisscross Bubble Pendant	682
Nelson™ Saucer Wall Sconce	687
Nelson™ Triple Bubble Lamp Fixture	683
Paper Tray	658
Pencil Cup	653
Puppy	659
Puppy, 2-Pack	648
Steelwood Coat Stand	650
Textiles & Objects Poster	640
Tissue Box	656
Transit Folding Trolley	651
Trash Bin, 4-Pack	652
Tray	654
Umbrella Stand	647

## **HermanMiller Collection Bedroom**

Nelson™ Daybed	page(s) 631
Nelson™ Thin Edge Bed	632

## **HermanMiller Collection Desks and Tables**

AGL™ Table Group	page(s) 421
AGL™ Table Group Power Kit	424
AGL™ Table Group Power Kit, Chicago version	426
Air-Table	440
Baguette Table	441
Brabo Occasional Table	483
Branca Table	461
Burdick Group™ Base Assembly	432
Burdick Group™ Beam	431
Burdick Group™ Oval Table	429
Burdick Group™ Rectangular Table	428
Burdick Group™ Rectangular Work Surface	434
Burdick Group™ Round Work Surface	433
Central Table	442
Claw Occasional Table, Square	487
Claw Table	486
Deja-Vu Table	443
Distil Desk	419
Distil Table	420
Doubleframe Table	460
Eames® Coffee Table	470
Eames® Desk Unit	417
Eames® Molded Plywood Coffee Table Metal Base	472
Eames® Molded Plywood Coffee Table Wood Base	473
Eames® Rectangular Coffee Table	474
Eames® Wire Base Elliptical Table	475
Eames® Wire Base Low Table	476
Facile Bench	463

Index by Product Name *continued*

Index: Product Name

Facile Table	462
Forcina Table	467
Full Round Table	488
Girard Hexagonal Table	500
Girard Splayed Leg Table	501
H-Frame Coffee Table	496
H-Frame Side Table	494
I-Beam Coffee Table	498
I-Beam Side Table	499
Layer Occasional Table, High Nesting	515
Layer Occasional Table, Low Nesting	517
Layer Occasional Table, No Shelf	523
Layer Occasional Table, Stone Shelf	524
Layer Occasional Table, Wood Drawer	521
Layer Occasional Table, Wood Shelf	519
Medici Table	469
Nelson™ Pedestal Table	477
Nelson™ Swag Leg Desk	418
Nelson™ Swag Leg Dining Table Rectangular	435
Nelson™ Swag Leg Dining Table Round	436
Nelson™ Swag Leg Work Table	437
Nelson™ X-Leg Table	438
Noguchi® Rudder Table	480
Noguchi® Table	479
Officina Bistro Table	446
Officina Console Table	448
Officina Fratino Table	447
Officina Pedestal Table	449
Officina Table	444
Osso Table	466
Pizza Table	468
Polygon Wire Table	526
Primo Table	459
Reframe Occasional Table	525
Saiba Table Glass Top	511
Saiba Table Thin Profile Top	513
Saiba Table Wood Top	508
Solo Table	464
Steelwood Extending Table	453
Steelwood Table	451
Steelwood Table System	452
Striad® Pedestal Table	481
Striped Tavolo	454
Table First	455
Table_One	456
Table_One Bistro	457
Tavolo XZ3 Table	458

Traffic Low Side Table	532
Traffic Low Side Table, Suitable for Outdoor Use	533
Traffic Low Square Table	530
Traffic Low Square Table, Suitable for Outdoor Use	531
Traffic Low Table	528
Traffic Low Table, Suitable for Outdoor Use	529
Tronco Table	465
Tuxedo Component Lounge Tables Rectangular	506
Tuxedo Component Lounge Tables Square	504
Tuxedo Component Lounge Tables Tray	502

**HermanMiller Collection Outdoor Furniture**

Air-Chair	page(s) 710
Air-Folding Chair	711
Air-Table	726
Baguette Table	727
Central Table	728
Chair First	714
Chair_One	713
Chair_One Stacking Base	712
Deja-Vu Chair	715
Deja-Vu Stool	724
Eames® Aluminum Group Lounge Chair Outdoor	717
Eames® Aluminum Group Ottoman Outdoor	718
Eames® Aluminum Group Side Chair Outdoor	705
Eames® Wire Base Low Table Outdoor	731
Eames® Wire Chair Outdoor	706
Eames® Wire Stool Outdoor	707
Medici Bench Outdoor	720
Medici Chair Outdoor	719
Medici Ottoman Outdoor	721
Medici Table Outdoor	725
Mila Chair	708
Nelson™ Pedestal Table Outdoor	732
Paso Doble Chair Outdoor	709
Spun Rotating Chair	722
Stool_One	723
Table_One	729
Table_One Bistro	730
Venice Chair	716

**HermanMiller Collection Seating**

Air-Chair	page(s) 36
Air-Chair to Air-Chair Connector	37
Air-Folding Chair	38
Al Bombo® Kit	224
Al Bombo® Stool	223
Bevel Chaise	306
Bevel Club Chair	302



Bevel Corner	303	ColourForm Ottoman, Not Quilted, Single Textile	329
Bevel Curved Settee	309	ColourForm Ottoman, Quilted, Single Textile	330
Bevel Ottoman	305	ColourForm Sofa, Not Quilted, Single Textile	320
Bevel Rounded Ottoman	311	ColourForm Sofa, Quilted, Single Textile	322
Bevel Settee	304	ColourForm Sofa, Quilted, Two Textiles	324
Bevel Single Seat	310	ColourForm Tete-a-Tete, Not Quilted, Single Textile	337
Bevel Sofa	307	ColourForm Tete-a-Tete, Quilted, Single Textile	338
Bolster Chaise	317	ColourForm Tete-a-Tete, Quilted, Two Textiles	339
Bolster Club Chair	312	Crosshatch Lounge Chair	152
Bolster Corner	313	Crosshatch Ottoman	155
Bolster Ottoman	316	Crosshatch Side Chair	89
Bolster Settee	314	Crosshatch Stool	255
Bolster Sofa	318	Deja-Vu Chair	44
Bombo® Stool	225	Deja-Vu Stool	226
Brabo Lounge Chair	212	Dressed First	43
Brabo Settee	395	Eames® Aluminum Group Executive Chair	279
Brabo Sofa	398	Eames® Aluminum Group Lounge Chair	102
Branca Chair	56	Eames® Aluminum Group Management Chair	281
Branca Stool	231	Eames® Aluminum Group Ottoman	104
Bumper Conference Chair	293	Eames® Aluminum Group Side Chair	5
Bumper Lounge Chair	150	Eames® Chaise	125
Bumper Side Chair	72	Eames® Executive Chair	287
Chadwick Base Cover Kit	347	Eames® Lounge Chair	111
Chadwick Module	345	Eames® Lounge Chair and Ottoman	107
Chadwick Power Entry	348	Eames® Lounge Chair and Ottoman, Ebony	109
Chadwick Power Jumper	350	Eames® Lounge Chair and Ottoman White Ash	110
Chadwick Receptacle Kit	349	Eames® Lounge Chair, Ebony	113
Chair First	39	Eames® Lounge Chair White Ash	114
Chair_One	41	Eames® Molded Fiberglass Armchair	29
Chair_One Cushion	42	Eames® Molded Fiberglass Side Chair	18
Chair_One Stacking Base	40	Eames® Molded Fiberglass Stool	243
Chiaro Chair	57	Eames® Molded Plastic Armchair	26
Chiaro Stool	232	Eames® Molded Plastic Armchair Rocker Base	118
Clerici Armchair	143	Eames® Molded Plastic Side Chair	13
Clerici Three Seat Bench	145	Eames® Molded Plastic Stool	246
Clerici Two Seat Bench	144	Eames® Molded Plywood Dining Chair Metal Base	9
ColourForm Bench, Not Quilted, Single Textile	342	Eames® Molded Plywood Dining Chair Wood Base	11
ColourForm Bench, Quilted, Single Textile	343	Eames® Molded Plywood Lounge Chair Metal Base	121
ColourForm Chaise, Not Quilted, Single Textile	331	Eames® Molded Plywood Lounge Chair Wood Base	123
ColourForm Chaise, Quilted, Single Textile	333	Eames® Molded Wood Side Chair	22
ColourForm Chaise, Quilted, Two Textiles	335	Eames® Molded Wood Stool	249
ColourForm Club Chair, Not Quilted, Single Textile	326	Eames® Ottoman	115
ColourForm Club Chair, Quilted, Single Textile	327	Eames® Ottoman, Ebony	116
ColourForm Club Chair, Quilted, Two Textiles	328	Eames® Ottoman White Ash	117
ColourForm Corner, Not Quilted, Single Textile	340	Eames® Side Chair Stacking Base Dolly	23
ColourForm Corner, Quilted, Single Textile	341	Eames® Sofa	390
ColourForm Ganging Kit	344	Eames® Sofa Compact	389

# Index by Product Name *continued*

Index: Product Name

Eames® Soft Pad Group Executive Chair	283	Nelson™ Marshmallow Sofa	394
Eames® Soft Pad Group Management Chair	285	Nelson™ Pedestal Stool	222
Eames® Soft Pad Lounge Chair	105	Nelson™ Platform Bench	264
Eames® Soft Pad Ottoman	106	Nelson™ Platform Bench Cushion	265
Eames® Soft Pad Side Chair	7	Nelson™ Swag Leg Armchair	35
Eames® Task Chair, Arm Shell	289	Nessel Chair	84
Eames® Task Chair, Side Shell	291	Officina Armchair	128
Eames® Upholstered Molded Fiberglass Armchair	31	Officina Bench	261
Eames® Upholstered Molded Fiberglass Side Chair	20	Officina Chair	46
Eames® Upholstered Molded Fiberglass Stool	244	Officina Low Chair	127
Eames® Upholstered Molded Plastic Armchair	27	Officina Ottoman	129
Eames® Upholstered Molded Plastic Armchair Rocker Base	119	Officina Sofa	406
Eames® Upholstered Molded Plastic Side Chair	15	Officina Stool	227
Eames® Upholstered Molded Plastic Stool	247	Osso Chair	55
Eames® Upholstered Molded Wood Side Chair	33	Osso Stool	238
Eames® Upholstered Molded Wood Stool	250	Primo Chair	63
Eames® Walnut Stool	221	Primo Stool	237
Eames® Wire Chair	24	Quindici Chaise Longue	149
Eames® Wire Stool	252	Quindici Lounge Chair	148
Envelope® Chair	70	Reframe High-Back Lounge Chair	161
Folly	262	Reframe Mid-Back Lounge Chair	158
Folly Floor Kit	263	Reframe Wing-Back Lounge Chair	164
Forcina Chair	100	Rolled Arm Club Chair	166
Forcina Stool	242	Rolled Arm Sofa	401
Full Twist™ Guest Chair	74	Saiba Conference Chair	88
Girard Color Wheel Ottoman	407	Saiba Guest Chair	209
Goetz™ Sofa	392	Saiba Lounge	207
He Said Chair	59	Saiba Multitask Chair	295
Landmark Chair	81	Saiba Ottoman	208
Landmark Low Arm Chair	78	Scissor Chair	172
Leeway™ Metal Frame Side Chair	96	She Said Chair	60
Leeway™ Stool	258	She Said Lowide Chair	61
Leeway™ Wood Side Chair	93	She Said Stool	234
Lispenard Chair	300	Sled Chair	174
Lispenard Ottoman	299	Solo Chair	62
Lispenard Sectional	301	Solo Stool	236
Lispenard Sofa	298	Spot Stool	253
Medici Chair	146	Spun Rotating Chair	142
Medici Ottoman	147	Stanley Chair	92
Mila Chair	45	Steelwood Chair	47
Milà Upholstered Chair	101	Steelwood Stool	228
Module Lounge Seating Corner	355	Steelwood Upholstered Chair	48
Module Lounge Seating Ottoman	357	Stool_One	229
Module Lounge Seating Single Seat	353	Stool_One Cushion	230
Module Lounge Seating with Privacy Back Corner	352	Striad High-Back Lounge Chair, 4-Star Base	191
Module Lounge Seating with Privacy Back Single Seat	351	Striad High-Back Lounge Chair, Wire Base	193
Nelson™ Coconut Lounge Chair	126	Striad Low-Back Lounge Chair, 4-Star Base	199

Striad Low-Back Lounge Chair, Wire Base	201	Tuxedo Component Lounge™ Sofa	358
Striad Mid-Back Lounge Chair, 4-Star Base	195	Tuxedo Component Lounge™ Sofa Corner	367
Striad Mid-Back Lounge Chair, Wire Base	197	Tuxedo Component Lounge with Table - One Seat	182
Striad Ottoman, 4-Star Base	203	Tuxedo Component Lounge with Table - Two Seats	186
Striad Ottoman, Wire Base	205	Tuxedo Ganging Plate	414
Taper Chair	296	Uncino Chair, Version A	67
Tom & Jerry Stool	235	Uncino Chair, Version B	68
Traffic Armchair Leather	131	Uncino Chair, Version C	69
Traffic Armchair Upholstered	130	Uncino Stool	240
Traffic Armchair Upholstered (Suitable for Outdoor Use)	132	Uncino Stool, Fixed	241
Traffic Chaise Lounge Leather	140	Venice Chair	53
Traffic Chaise Lounge Upholstered	139	Venice Cushion	54
Traffic One-Seater Bench Leather	273	Wireframe™ Chair	168
Traffic One-Seater Bench Upholstered	271	Wireframe™ Ottoman	170
Traffic One-Seater Bench Upholstered (Suitable for Outdoor Use)	272	Wireframe™ Sofa	404
Traffic Platform Leather	278	Wood Base Club Chair	215
Traffic Platform Upholstered	277	Wood Base Ottoman	218
Traffic Tablet in Acrylic Stone	141	Wood Base Settee	408
Traffic Three-Seater Sofa Leather	138	Wood Base Sofa	411
Traffic Three-Seater Sofa Upholstered	136	<b>HermanMiller Collection Storage</b>	
Traffic Three-Seater Sofa Upholstered (Suitable for Outdoor Use)	137	Domino Credenza	page(s) 564, 563, 560, 559, 557, 555
Traffic Two-Seater Bench Leather	276	Domino Sideboard	566, 565, 562, 561, 558, 556
Traffic Two-Seater Bench Upholstered	274	Eames® Storage Unit	537
Traffic Two-Seater Bench Upholstered (Suitable for Outdoor Use)	275	H-Frame Credenza Four Units Wide	582
Traffic Two-Seater Sofa Leather	135	H-Frame Credenza One Unit Wide	567
Traffic Two-Seater Sofa Upholstered	133	H-Frame Credenza Stone Top	588
Traffic Two-Seater Sofa Upholstered (Suitable for Outdoor Use)	134	H-Frame Credenza Three Units Wide	578
Tronco Connector	66	H-Frame Credenza Two Units Wide	574
Tronco Dolly	65	Nelson™ Basic Cabinet Series 16.5 x 18	539
Tronco Stacking Chair	64	Nelson™ Basic Cabinet Series 24 x 24	540
Tronco Upholstered Chair	99	Nelson™ Basic Cabinet Series 24 x 34	541
Troy Plastic Chair	49	Nelson™ Basic Cabinet Series 24 x 34 Bookcase	542
Troy Upholstered Chair	51	Nelson™ Basic Cabinet Series 34 x 40	543
Tuxedo Classic Club Chair	189	Nelson™ Miniature Chest 6 Drawer	544
Tuxedo Classic Corner Settee	378	Nelson™ Miniature Chest 9 Drawer	545
Tuxedo Classic Corner Sofa	386	Nelson™ Thin Edge Bedside Table	547
Tuxedo Classic Settee	373	Nelson™ Thin Edge Buffet	551
Tuxedo Classic Sofa	382	Nelson™ Thin Edge Cabinet	549
Tuxedo Component Lounge™ Bench	267	Nelson™ Thin Edge Chest	548
Tuxedo Component Lounge™ Club Chair	176	Nelson™ Thin Edge Chest Cabinet	550
Tuxedo Component Lounge™ Corner Sofa with Attached Settee	369	Nelson™ Thin Edge Double Dresser	552
Tuxedo Component Lounge™ Corner Sofa with Attached Sofa	371	Silverware Drawer Insert	589
Tuxedo Component Lounge™ Daybed	180	Sled Base Credenza Four Units Wide	599
Tuxedo Component Lounge™ Museum Bench	269	Sled Base Credenza Four Units Wide and Stone Top	614
Tuxedo Component Lounge™ Ottoman	178	Sled Base Credenza Three Units Wide	596
Tuxedo Component Lounge™ Settee	360	Sled Base Credenza Three Units Wide and Stone Top	611
Tuxedo Component Lounge™ Settee Corner	364	Sled Base Credenza Two Units Wide	593

## Index by Product Name *continued*

**Index: Product Name**

Sled Base Credenza Two Units Wide and Stone Top	608
Sled Base Mobile Credenza	620
Sled Base Mobile Credenza Stone Top	626
Sled Base Mobile Pedestal	617
Sled Base Mobile Pedestal Stone Top	623
Sled Base Pedestal	590
Sled Base Pedestal Stone Top	605
Steelwood Shelving System	553

# Index by Product Number

411	Eames® Walnut Stool	page(s) 221
412		
413		
473	Eames® Sofa Compact	389
5451L	Nelson™ Pedestal Table	477
5451.	Nelson™ Pedestal Table Outdoor	732
5451S	Nelson™ Pedestal Table	477
5451W		
5452L		
5452.	Nelson™ Pedestal Table Outdoor	732
5452S	Nelson™ Pedestal Table	477
5452W		
5453L		
5453.	Nelson™ Pedestal Table Outdoor	732
5453S	Nelson™ Pedestal Table	477
5453W		
5454L		
5454.	Nelson™ Pedestal Table Outdoor	732
5454S	Nelson™ Pedestal Table	477
5454W		
5455L		
5455.	Nelson™ Pedestal Table Outdoor	732
5455S	Nelson™ Pedestal Table	477
5455W		
5569.	Nelson™ Coconut Lounge Chair	126
5670	Nelson™ Marshmallow Sofa	394
66332	Girard Color Wheel Ottoman	407
66353	Girard Hexagonal Table	500
66356	Girard Splayed Leg Table	501
ACL1A	Claw Table	486
ACL2A	Claw Occasional Table, Square	487
AFCA	Reframe Occasional Table	525
AFCW		
AFRA		
AFRW		
AFSA		
AFSW		
AJN2B	ColourForm Bench, Not Quilted, Single Textile	342
AJN2B	ColourForm Bench, Quilted, Single Textile	343
AJN3B	ColourForm Bench, Not Quilted, Single Textile	342
AJN3B	ColourForm Bench, Quilted, Single Textile	343
AJN04	ColourForm Ottoman, Not Quilted, Single Textile	329
AJN04	ColourForm Ottoman, Quilted, Single Textile	330
AJN10	ColourForm Chaise, Not Quilted, Single Textile	331
AJN10	ColourForm Chaise, Quilted, Single Textile	333
AJN10	ColourForm Chaise, Quilted, Two Textiles	335
AJN10	ColourForm Club Chair, Not Quilted, Single Textile	326

AJN10	ColourForm Club Chair, Quilted, Single Textile	327
AJN10	ColourForm Club Chair, Quilted, Two Textiles	328
AJN10	ColourForm Corner, Not Quilted, Single Textile	340
AJN10	ColourForm Corner, Quilted, Single Textile	341
AJN10	ColourForm Sofa, Not Quilted, Single Textile	320
AJN10	ColourForm Sofa, Quilted, Single Textile	322
AJN10	ColourForm Sofa, Quilted, Two Textiles	324
AJN10	ColourForm Tete-a-Tete, Not Quilted, Single Textile	337
AJN10	ColourForm Tete-a-Tete, Quilted, Single Textile	338
AJN10	ColourForm Tete-a-Tete, Quilted, Two Textiles	339
AJNG	ColourForm Ganging Kit	344
AL1C0	Bolster Ottoman	316
AL1C1	Bolster Chaise	317
AL1C1	Bolster Club Chair	312
AL1C1	Bolster Corner	313
AL1C1	Bolster Settee	314
AL1C1	Bolster Sofa	318
AL2C1	Module Lounge Seating Single Seat	353
AL2C2		
AL2C3	Module Lounge Seating Corner	355
AL2C4	Module Lounge Seating Ottoman	357
AL2C5	Module Lounge Seating with Privacy Back Single Seat	351
AL2C7	Module Lounge Seating with Privacy Back Corner	352
AL6C0	Bevel Ottoman	305
AL6C0	Bevel Rounded Ottoman	311
AL6C0	Bevel Single Seat	310
AL6C1	Bevel Chaise	306
AL6C1	Bevel Club Chair	302
AL6C1	Bevel Corner	303
AL6C1	Bevel Settee	304
AL6C1	Bevel Sofa	307
AL6C2	Bevel Curved Settee	309
AL6C3		
AL510	Lispenard Chair	300
AL510	Lispenard Ottoman	299
AL510	Lispenard Sectional	301
AL510	Lispenard Sofa	298
ALNHS	Layer Occasional Table, High Nesting	515
ALNLT	Layer Occasional Table, Low Nesting	517
ALYDA	Layer Occasional Table, Wood Drawer	521
ALYDW		
ALYSA	Layer Occasional Table, Wood Shelf	519
ALYSN	Layer Occasional Table, No Shelf	523
ALYSS	Layer Occasional Table, Stone Shelf	524
ALYSW	Layer Occasional Table, Wood Shelf	519
ASB1A	Saiba Table Wood Top	508
ASB1G	Saiba Table Glass Top	511

Index: Product Number

# Index by Product Number *continued*

Index: Product Number

ASB1T	Saiba Table Thin Profile Top	513	CCL300	Striad Low-Back Lounge Chair, 4-Star Base	199
ASB1W	Saiba Table Wood Top	508	CCL301	Striad Low-Back Lounge Chair, Wire Base	201
AV3AL	Brabo Occasional Table	483	CCL400	Striad Ottoman, 4-Star Base	203
AV3AW			CCL401	Striad Ottoman, Wire Base	205
AV3WL			CCL500	Striad® Pedestal Table	481
AV3WW			CM101	Chadwick Module	345
AWB1Z	I-Beam Side Table	499	CM102		
AWB2G	I-Beam Coffee Table	498	CM103		
AWB2M			CM104	Chadwick Base Cover Kit	347
AWH2G	H-Frame Coffee Table	496	CM105	Chadwick Module	345
AWH2G	H-Frame Side Table	494	CM106		
AWH2S	H-Frame Coffee Table	496	CM107	Chadwick Power Entry	348
AWH2S	H-Frame Side Table	494	CM108	Chadwick Receptacle Kit	349
AWH2W	H-Frame Coffee Table	496	CM109	Chadwick Power Jumper	350
AWH2W	H-Frame Side Table	494	CTM.	Eames® Molded Plywood Coffee Table Metal Base	472
AWR2-	Full Round Table	488	CTW1.	Eames® Rectangular Coffee Table	474
AXT3-	Tuxedo Component Lounge Tables Tray	502	CTW.	Eames® Molded Plywood Coffee Table Wood Base	473
AXW2-	Tuxedo Component Lounge Tables Square	504	CY100.	Pencil Cup	653
AXW3-	Tuxedo Component Lounge Tables Rectangular	506	CY101.	Tray	654
B-3-7	Nelson™ Triple Bubble Lamp Fixture	683	CY102.	Box	655
BC1618	Nelson™ Basic Cabinet Series 16.5 x 18	539	CY103.	Tissue Box	656
BC2400	Nelson™ Basic Cabinet Series 24 x 34 Bookcase	542	CY104.	Media Stand	657
BC2424	Nelson™ Basic Cabinet Series 24 x 24	540	CY105.	Paper Tray	658
BC2434	Nelson™ Basic Cabinet Series 24 x 34	541	DAF	Nelson™ Swag Leg Armchair	35
BC3440	Nelson™ Basic Cabinet Series 34 x 40	543	DAR.	Eames® Molded Plastic Armchair	26
BELLX	Nelson™ Bell Bubble Pendant	672	DAR.	Eames® Upholstered Molded Plastic Armchair	27
BG105	Burdick Group™ Beam	431	DAW.	Eames® Molded Plastic Armchair	26
BG106			DAW.	Eames® Upholstered Molded Plastic Armchair	27
BG107	Burdick Group™ Base Assembly	432	DAX.	Eames® Molded Plastic Armchair	26
BG120	Burdick Group™ Rectangular Work Surface	434	DAX.	Eames® Upholstered Molded Plastic Armchair	27
BG121			DBL.	Doubleframe Table	460
BG122	Burdick Group™ Round Work Surface	433	DCM.	Eames® Molded Plywood Dining Chair Metal Base	9
BG321	Burdick Group™ Rectangular Table	428	DCW.	Eames® Molded Plywood Dining Chair Wood Base	11
BG322			DF100.	AGL™ Table Group	421
BG331			DF900.	AGL™ Table Group Power Kit	424
BG332			DF901.	AGL™ Table Group Power Kit, Chicago version	426
BG335	Burdick Group™ Oval Table	429	DFAR.	Eames® Molded Fiberglass Armchair	29
BG336			DFAR.	Eames® Upholstered Molded Fiberglass Armchair	31
BG435			DFAW.	Eames® Molded Fiberglass Armchair	29
BG436			DFAW.	Eames® Upholstered Molded Fiberglass Armchair	31
BK104	Wireframe™ Ottoman	170	DFAX.	Eames® Molded Fiberglass Armchair	29
BK110	Wireframe™ Chair	168	DFAX.	Eames® Upholstered Molded Fiberglass Armchair	31
BK110	Wireframe™ Sofa	404	DFH BX.	Eames® Molded Fiberglass Stool	243
CCL100	Striad High-Back Lounge Chair, 4-Star Base	191	DFH BX.	Eames® Upholstered Molded Fiberglass Stool	244
CCL101	Striad High-Back Lounge Chair, Wire Base	193	DFH CX.	Eames® Molded Fiberglass Stool	243
CCL200	Striad Mid-Back Lounge Chair, 4-Star Base	195	DFH CX.	Eames® Upholstered Molded Fiberglass Stool	244
CCL201	Striad Mid-Back Lounge Chair, Wire Base	197	DFSR.	Eames® Molded Fiberglass Side Chair	18

Index by Product Number *continued*

DFSR.	Eames® Upholstered Molded Fiberglass Side Chair	20	EA416	Eames® Soft Pad Lounge Chair	105
DFSS.	Eames® Molded Fiberglass Side Chair	18	EA422		
DFSW.			EA423	Eames® Soft Pad Ottoman	106
DFSW.	Eames® Upholstered Molded Fiberglass Side Chair	20	EA434	Eames® Soft Pad Group Management Chair	285
DFSX.	Eames® Molded Fiberglass Side Chair	18	EA435		
DFSX.	Eames® Upholstered Molded Fiberglass Side Chair	20	EA437	Eames® Soft Pad Group Executive Chair	283
DKHBX.	Eames® Wire Stool	252	EA506	Eames® Aluminum Group Side Chair Outdoor	705
DKHCX.			EA508		
DKHQBX	Eames® Wire Stool Outdoor	707	EA516	Eames® Aluminum Group Lounge Chair Outdoor	717
DKHQCX			EA523	Eames® Aluminum Group Ottoman Outdoor	718
DKQR.	Eames® Wire Chair Outdoor	706	ECT30	Eames® Coffee Table	470
DKQX.			EDU10.	Eames® Desk Unit	417
DKR.	Eames® Wire Chair	24	EDU20.		
DKW.			EDU21.		
DKX.			EE907	Environmental Enrichment Panel, Hand & Dove	667
DOLLY.	Eames® Side Chair Stacking Base Dolly	23	EE908	Environmental Enrichment Panel, Geometry	666
DSHBX.	Eames® Molded Plastic Stool	246	EE913	Environmental Enrichment Panel, Stars	662
DSHBX.	Eames® Upholstered Molded Plastic Stool	247	EE914	Environmental Enrichment Panel, Eyes	663
DSHCX.	Eames® Molded Plastic Stool	246	EE925	Environmental Enrichment Panel, Brick	660
DSHCX.	Eames® Upholstered Molded Plastic Stool	247	EE929	Environmental Enrichment Panel, Four Leaf Clover	661
DSR.	Eames® Molded Plastic Side Chair	13	EE937	Environmental Enrichment Panel, Diagonals	665
DSR.	Eames® Upholstered Molded Plastic Side Chair	15	EE943	Environmental Enrichment Panel, Ribbons	664
DSS.	Eames® Molded Plastic Side Chair	13	ES106	Eames® Chaise	125
DSW.			ES108	Eames® Sofa	390
DSW.	Eames® Upholstered Molded Plastic Side Chair	15	ES110		
DSX.	Eames® Molded Plastic Side Chair	13	ES204	Eames® Executive Chair	287
DSX.	Eames® Upholstered Molded Plastic Side Chair	15	ES670	Eames® Lounge Chair	111
DWHBX.	Eames® Molded Wood Stool	249	ES670	Eames® Lounge Chair and Ottoman	107
DWHBX.	Eames® Upholstered Molded Wood Stool	250	ES670	Eames® Lounge Chair and Ottoman, Ebony	109
DWHCX.	Eames® Molded Wood Stool	249	ES670	Eames® Lounge Chair and Ottoman White Ash	110
DWHCX.	Eames® Upholstered Molded Wood Stool	250	ES670	Eames® Lounge Chair, Ebony	113
DWSR.	Eames® Molded Wood Side Chair	22	ES670	Eames® Lounge Chair White Ash	114
DWSR.	Eames® Upholstered Molded Wood Side Chair	33	ES671	Eames® Ottoman	115
DWSW.	Eames® Molded Wood Side Chair	22	ES671	Eames® Ottoman, Ebony	116
DWSW.	Eames® Upholstered Molded Wood Side Chair	33	ES671	Eames® Ottoman White Ash	117
DWSX.	Eames® Molded Wood Side Chair	22	ESU100	Eames® Storage Unit	537
DWSX.	Eames® Upholstered Molded Wood Side Chair	33	ESU150		
EA306	Eames® Aluminum Group Side Chair	5	ESU201		
EA308			ESU230		
EA316	Eames® Aluminum Group Lounge Chair	102	ESU420		
EA322			ETRT.	Eames® Wire Base Elliptical Table	475
EA323	Eames® Aluminum Group Ottoman	104	FSW.	Eames® Molded Plywood Folding Screen	638
EA334	Eames® Aluminum Group Management Chair	281	GS100.	Goetz™ Sofa	392
EA335			H737S	Nelson™ Lantern Bubble Pendant	675
EA337	Eames® Aluminum Group Executive Chair	279	H737T	Nelson™ Lantern Tripod Lamp	694
EA406	Eames® Soft Pad Side Chair	7	H761C	Nelson™ Ball Crisscross Bubble Pendant	679
EA408			H761L	Nelson™ Ball Bubble Pendant	671

Index by Product Number *continued*

Index: Product Number

H761L	Nelson™ Ball Lotus Table Lamp	689	HA-TT	Transit Folding Trolley	651
H761M	Nelson™ Ball Bubble Pendant	671	HA-US	Umbrella Stand	647
H761S			HIA91	Eames® Hang-It-All®	637
H761S	Nelson™ Ball Wall Sconce	684	HIABK		
H761T	Nelson™ Ball Tripod Lamp	692	HIAML		
H762C	Nelson™ Cigar Crisscross Bubble Pendant	680	HIAOU		
H762L	Nelson™ Cigar Bubble Pendant	673	HIAUL		
H762L	Nelson™ Cigar Lotus Floor Lamp	696	IN50	Noguchi® Table	479
H762L	Nelson™ Cigar Lotus Table Lamp	690	IN52	Noguchi® Rudder Table	480
H762M	Nelson™ Cigar Bubble Pendant	673	IWCM2	Domino Credenza	560
H762S			IWCM3	Domino Credenza	563
H762S	Nelson™ Cigar Wall Sconce	685	IWCM4	Domino Credenza	564
H762T	Nelson™ Cigar Tripod Lamp	693	IWCS2	Domino Credenza	555
H762X	Nelson™ Cigar Bubble Pendant	673	IWCS3	Domino Credenza	557
H763C	Nelson™ Saucer Crisscross Bubble Pendant	682	IWCS4	Domino Credenza	559
H763L	Nelson™ Saucer Bubble Pendant	678	IWSM2	Domino Sideboard	562
H763M			IWSM3	Domino Sideboard	565
H763S			IWSM4	Domino Sideboard	566
H763S	Nelson™ Saucer Wall Sconce	687	IWSS2	Domino Sideboard	556
H763X	Nelson™ Saucer Bubble Pendant	678	IWSS3	Domino Sideboard	558
H764M	Nelson™ Roll Bubble Pendant	698	IWSS4	Domino Sideboard	561
H766M	Nelson™ Apple Bubble Pendant	670	JA	Silverware Drawer Insert	589
H769L	Nelson™ Angled Bubble Pendant	699	JCH1-	H-Frame Credenza One Unit Wide	567
H769M			JCH1S	H-Frame Credenza Stone Top	588
H769S			JCH2-	H-Frame Credenza Two Units Wide	574
H770C	Nelson™ Pear Crisscross Bubble Pendant	681	JCH2S	H-Frame Credenza Stone Top	588
H770L	Nelson™ Pear Lotus Floor Lamp	697	JCH3-	H-Frame Credenza Three Units Wide	578
H770L	Nelson™ Pear Lotus Table Lamp	691	JCH3S	H-Frame Credenza Stone Top	588
H770M	Nelson™ Pear Bubble Pendant	676	JCH4-	H-Frame Credenza Four Units Wide	582
H770S			JCH4S	H-Frame Credenza Stone Top	588
H770S	Nelson™ Pear Wall Sconce	686	JCS1-	Sled Base Pedestal	590
H770T	Nelson™ Pear Tripod Lamp	695	JCS1S	Sled Base Pedestal Stone Top	605
H771M	Nelson™ Orbit Bubble Pendant	701	JCS2-	Sled Base Credenza Two Units Wide	593
H771S			JCS2S	Sled Base Credenza Two Units Wide and Stone Top	608
HA-BE	Beware of Imitations Poster	641	JCS3-	Sled Base Credenza Three Units Wide	596
HA-CC	Cu-Clock, 4-Pack	646	JCS3S	Sled Base Credenza Three Units Wide and Stone Top	611
HA-CO	360° Container (5 drawer w/casters)	645	JCS4-	Sled Base Credenza Four Units Wide	599
HA-CR	Steelwood Coat Stand	650	JCS4S	Sled Base Credenza Four Units Wide and Stone Top	614
HA-DP	Dalmatian Puppy	649	JMS1-	Sled Base Mobile Pedestal	617
HA-FC	Nelson™ Firewood Caddy	642	JMS1S	Sled Base Mobile Pedestal Stone Top	623
HA-FP	Nelson™ Fireplace Tool Set	643	JMS2-	Sled Base Mobile Credenza	620
HA-GT	Girard® Throw	639	JMS2S	Sled Base Mobile Credenza Stone Top	626
HALFN	Half Nelson™ Lamp	688	LCM.	Eames® Molded Plywood Lounge Chair Metal Base	121
HA-PP	Puppy	659	LCW.	Eames® Molded Plywood Lounge Chair Wood Base	123
HA-PP	Puppy, 2-Pack	648	LTRT.	Eames® Wire Base Low Table	476
HA-TH	Trash Bin, 4-Pack	652	LTRT.	Eames® Wire Base Low Table Outdoor	731
HA-TO	Textiles & Objects Poster	640	MAS18	Spot Stool	253



Index by Product Number *continued*

MAS24		
MAS30		
MC9A. Uncino Chair, Version A	67	
MC9B. Uncino Chair, Version B	68	
MC9C. Uncino Chair, Version C	69	
MC9F. Uncino Stool, Fixed	241	
MC9S. Uncino Stool	240	
MC12. Tronco Upholstered Chair	99	
MC13B. Facile Bench	463	
MC13T. Facile Table	462	
MC14C. Primo Chair	63	
MC14S. Primo Stool	237	
MC14T. Primo Table	459	
MC15CL. Quindici Chaise Longue	149	
MC15L. Quindici Lounge Chair	148	
MC16C. Forcina Chair	100	
MC16S. Forcina Stool	242	
MC16T. Forcina Table	467	
MGA00. Air-Chair	710, 36	
MGA01. Air-Folding Chair	711, 38	
MGA70. Air-Table	726, 440	
MGA90. Air-Chair to Air-Chair Connector	37	
MGB20. Al Bombo® Stool	223	
MGB21. Bombo® Stool	225	
MGB90. Al Bombo® Kit	224	
MGC00. Folly	262	
MGC90. Folly Floor Kit	263	
MGCH00 Chiaro Chair	57	
MGCH03 Chiaro Stool	232	
MGCL00 Clerici Armchair	143	
MGCL02 Clerici Two Seat Bench	144	
MGCL03 Clerici Three Seat Bench	145	
MGD00. Deja-Vu Chair	715, 44	
MGD20. Deja-Vu Stool	724, 226	
MGD70. Deja-Vu Table	443	
MGE00. Chair_One	713, 41	
MGE00. Chair_One Stacking Base	712, 40	
MGE20. Stool_One	723, 229	
MGE70. Table_One	729, 456	
MGE80. Table_One Bistro	730, 457	
MGE90. Chair_One Cushion	42	
MGE91. Stool_One Cushion	230	
MGF00. Chair First	714, 39	
MGF70. Table First	455	
MGG70. Baguette Table	727, 441	
MGG80. Central Table	728, 442	
MGG90. Pizza Table	468	
MGH00. He Said Chair	59	
MGH01. She Said Chair	60	
MGH02. She Said Lowide Chair	61	
MGH03. She Said Stool	234	
MGJ00. Osso Chair	55	
MGJ01. Osso Stool	238	
MGJ70. Osso Table	466	
MGK01. Tronco Stacking Chair	64	
MGK70. Tronco Table	465	
MGK91. Tronco Connector	66	
MGK99. Tronco Dolly	65	
MGM00. Medici Chair	146	
MGM01. Medici Chair Outdoor	719	
MGM21. Medici Bench Outdoor	720	
MGN00. Spun Rotating Chair	722, 142	
MGP10. Paso Doble Chair Outdoor	709	
MGQ70. Officina Bistro Table	446	
MGQ70. Officina Console Table	448	
MGQ70. Officina Fratino Table	447	
MGQ70. Officina Pedestal Table	449	
MGQ70. Officina Table	444	
MGR00. Branca Chair	56	
MGR20. Branca Stool	231	
MGR70. Branca Table	461	
MGS00. Steelwood Chair	47	
MGS00. Steelwood Upholstered Chair	48	
MGS20. Steelwood Stool	228	
MGS70. Steelwood Table	451	
MGS71. Steelwood Extending Table	453	
MGS72. Steelwood Table System	452	
MGS90. Steelwood Shelving System	553	
MGT70. Tavolo XZ3 Table	458	
MGTJ20. Tom & Jerry Stool	235	
MGU00. Venice Chair	716, 53	
MGU90. Venice Cushion	54	
MGV20. Medici Ottoman	147	
MGV21. Medici Ottoman Outdoor	721	
MGV70. Medici Table	469	
MGV71. Medici Table Outdoor	725	
MGW70. Striped Tavolo	454	
MGX00. Dressed First	43	
MGY01. Troy Upholstered Chair	51	
MGY08. Troy Plastic Chair	49	
MGZ00. Solo Chair	62	
MGZ02. Solo Stool	236	
MGZ70. Solo Table	464	
NC526. Nelson™ Miniature Chest 6 Drawer	544	

Index by Product Number *continued*

Index: Product Number

NC529	Nelson™ Miniature Chest 9 Drawer	545	SBRA-	Rolled Arm Club Chair	166
NC556	Nelson™ Miniature Chest 6 Drawer	544	SBRA-	Rolled Arm Sofa	401
NC559	Nelson™ Miniature Chest 9 Drawer	545	SBRLN	Bumper Side Chair	72
NS585	Nelson™ Swag Leg Desk	418	SBSC-	Scissor Chair	172
NS585	Nelson™ Swag Leg Dining Table Rectangular	435	SBSD-		
NS585	Nelson™ Swag Leg Dining Table Round	436	SBSU-	Sled Chair	174
NS585	Nelson™ Swag Leg Work Table	437	SD205	Officina Chair	46
NX100.	Nelson™ X-Leg Table	438	SD207	Officina Stool	227
PACCF.	Eames® Task Chair, Arm Shell	289	SD210	Milà Upholstered Chair	101
PACCP.			SD220	Officina Low Chair	127
PBC.	Nelson™ Platform Bench Cushion	265	SD222	Officina Bench	261
PB.	Nelson™ Platform Bench	264	SD223	Officina Armchair	128
PROP	Nelson™ Propeller Bubble Pendant	677	SD224	Officina Sofa	406
PS16	Nelson™ Pedestal Stool	222	SD225		
PSCCD.	Eames® Task Chair, Side Shell	291	SD226	Officina Ottoman	129
PSCCF.			SEB1B	Crosshatch Stool	255
PSCCP.			SEB1C		
PSCCR.			SES1A	Crosshatch Lounge Chair	152
PTA	Geiger Textile Pillow	668	SES1W		
PTB			SES2A	Crosshatch Side Chair	89
PTC			SES2W		
PTD			SES3A	Crosshatch Ottoman	155
PWL14	Polygon Wire Table	526	SES3W		
PWL22			SFA1P	Taper Chair	296
PWL26			SFA1S		
PWM14			SFA1T		
PWM18			SFA2P		
PWM26			SFA2S		
PWS16			SFA2T		
PWS20			SFT1A	Full Twist™ Guest Chair	74
PWS26			SFT1M		
RAR.	Eames® Molded Plastic Armchair Rocker Base	118	SFT1N		
RAR.	Eames® Upholstered Molded Plastic Armchair Rocker Base	119	SFT1W		
SBEV-	Envelope® Chair	70	SJAA	Reframe Mid-Back Lounge Chair	158
SBLAC	Landmark Low Arm Chair	78	SJAW		
SBLAF			SJBA	Reframe High-Back Lounge Chair	161
SBLLC	Landmark Chair	81	SJBW		
SBLLF			SJCA	Reframe Wing-Back Lounge Chair	164
SBN1H	Saiba Conference Chair	88	SJCW		
SBN1M			SNS1A	Nessel Chair	84
SBN3H	Saiba Multitask Chair	295	SNS1W		
SBN3M			SNS2A		
SBN5H	Saiba Lounge	207	SNS2W		
SBN6	Saiba Ottoman	208	ST1AN	Tuxedo Component Lounge™ Club Chair	176
SBN7M	Saiba Guest Chair	209	ST1AQ		
SBR4N	Bumper Lounge Chair	150	ST1BN	Tuxedo Component Lounge™ Ottoman	178
SBR5N	Bumper Conference Chair	293	ST1BQ		

Index by Product Number *continued*

ST1NN Tuxedo Component Lounge™ Club Chair	176	SVV6W	
ST1NQ		SVWUA Leeway™ Wood Side Chair	93
ST2AL Tuxedo Component Lounge™ Settee	360	SVWUW	
ST2AN		SVWWA	
ST2AQ		SVWWW	
ST2AR		SX1AL Tuxedo Component Lounge with Table - One Seat	182
ST2BN Tuxedo Component Lounge™ Bench	267	SX1AR	
ST2BQ		SX1NL	
ST2CL Tuxedo Component Lounge™ Settee Corner	364	SX1NR	
ST2CR		SX2AL Tuxedo Component Lounge with Table - Two Seats	186
ST2MN Tuxedo Component Lounge™ Corner Sofa with Attached Settee	369	SX2AR	
ST2MQ		SX2CL	
ST2NN Tuxedo Component Lounge™ Settee	360	SX2CR	
ST2NQ		SX2NL	
ST3AL Tuxedo Component Lounge™ Sofa	358	SX2NR	
ST3AN		SZ1AB Tuxedo Classic Club Chair	189
ST3AQ		SZ2AB Tuxedo Classic Settee	373
ST3AR		SZ2AL	
ST3BN Tuxedo Component Lounge™ Museum Bench	269	SZ2AN	
ST3BQ		SZ2AR	
ST3CL Tuxedo Component Lounge™ Sofa Corner	367	SZ2CL Tuxedo Classic Corner Settee	378
ST3CR		SZ2CR	
ST3DN Tuxedo Component Lounge™ Daybed	180	SZ2ZL	
ST3DQ		SZ2ZR	
ST3MN Tuxedo Component Lounge™ Corner Sofa with Attached Sofa	371	SZ3AB Tuxedo Classic Sofa	382
ST3MQ		SZ3AL	
ST3NN Tuxedo Component Lounge™ Sofa	358	SZ3AN	
ST3NQ		SZ3AR	
STGP Tuxedo Ganging Plate	414	SZ3CL Tuxedo Classic Corner Sofa	386
SVMP Leeway™ Metal Frame Side Chair	96	SZ3CR	
SVMUA		SZ3ZL	
SVMUW		SZ3ZR	
SVMWA		TB100 Distil Desk	419
SVMWW		TB200 Distil Table	420
SVSPB Leeway™ Stool	258	TE0204 Nelson™ Thin Edge Double Dresser	552
SVSPC		TE1618 Nelson™ Thin Edge Bedside Table	547
SVSUA		TE2100 Nelson™ Thin Edge Chest	548
SVSUW		TE2134 Nelson™ Thin Edge Cabinet	549
SVSWA		TE2167 Nelson™ Thin Edge Buffet	551
SVSWW		TE3400 Nelson™ Thin Edge Chest Cabinet	550
SVV4A Brabo Lounge Chair	212	TE5088 Nelson™ Daybed	631
SVV4W		TE5089	
SVV5A Brabo Settee	395	TE5090	
SVV5W		TE5491 Nelson™ Thin Edge Bed	632
SVV6A Brabo Sofa	398	TE5492	
		TE5493	
		TE5494	

## Index by Product Number *continued*



Index: Product Number

TE5495		
TT1AA	Wood Base Club Chair	215
TT1AW		
TT1BA	Wood Base Ottoman	218
TT1BW		
TT2AA	Wood Base Settee	408
TT2AW		
TT3AA	Wood Base Sofa	411
TT3AW		
XXSD1	Stanley Chair	92
XXSD2	Mila Chair	708, 45
XXSD2	Traffic Armchair Leather	131
XXSD2	Traffic Armchair Upholstered	130
XXSD2	Traffic Armchair Upholstered (Suitable for Outdoor Use)	132
XXSD2	Traffic Chaise Lounge Leather	140
XXSD2	Traffic Chaise Lounge Upholstered	139
XXSD2	Traffic One-Seater Bench Leather	273
XXSD2	Traffic One-Seater Bench Upholstered	271
XXSD2	Traffic One-Seater Bench Upholstered (Suitable for Outdoor Use)	272
XXSD2	Traffic Platform Leather	278
XXSD2	Traffic Platform Upholstered	277
XXSD2	Traffic Tablet in Acrylic Stone	141
XXSD2	Traffic Three-Seater Sofa Leather	138
XXSD2	Traffic Three-Seater Sofa Upholstered	136
XXSD2	Traffic Three-Seater Sofa Upholstered (Suitable for Outdoor Use)	137
XXSD2	Traffic Two-Seater Bench Leather	276
XXSD2	Traffic Two-Seater Bench Upholstered	274
XXSD2	Traffic Two-Seater Bench Upholstered (Suitable for Outdoor Use)	275
XXSD2	Traffic Two-Seater Sofa Leather	135
XXSD2	Traffic Two-Seater Sofa Upholstered	133
XXSD2	Traffic Two-Seater Sofa Upholstered (Suitable for Outdoor Use)	134
XXTV2	Traffic Low Side Table	532
XXTV2	Traffic Low Side Table, Suitable for Outdoor Use	533
XXTV2	Traffic Low Square Table	530
XXTV2	Traffic Low Square Table, Suitable for Outdoor Use	531
XXTV2	Traffic Low Table	528
XXTV2	Traffic Low Table, Suitable for Outdoor Use	529

# 20-Day or Less/Assigned Lead-Time Order Information

## 20-Day or Less and Assigned Lead-Time Programs

20-day or less and assigned lead-time products are designed for established Herman Miller dealers with pre-approved credit.

Products are distributed from multiple manufacturing facilities across the United States. All products and options not designated by an Assigned Lead-Time icon  will ship in 20 business days or less after being acknowledged by Herman Miller. Products and options designated by an  are on the assigned lead-time program and will ship in 20 days, less than 20 days, or more than 20 days from order acknowledgement.

## Ordering Procedure

Please place orders through Order Manager. If this is not available to you, place orders through mail or fax. Verbal purchase orders will not be accepted.

Order Entry fax number for Passage®, 5000 Series, and Meridian® Filing and Storage: (616) 846 9236.

Order Entry fax number for all other products:  
(616) 654 3085.

For more information, contact your Customer Care representative at:  
(866) 854 3048 EXT 3400.

## Shipments and Delivery

Per Herman Miller Terms and Conditions.

## Changes and Cancellation

Per Herman Miller Terms and Conditions.

# Stain-to-Match Program

## Stain-to-Match Program

### Program Overview

The Stain-to-Match program gives you the option of using veneer finishes that are not listed in the standard offering. The program allows Herman Miller to match a customer's existing recut or natural veneer, or create a new finish that is unique to an installation.

Specific information on approval, ordering, pricing, and warranty for the Stain-to-Match program is listed below. Questions and requests for assistance may be directed to Herman Miller Options at:

(800) 654 3910

### Stain-to-Match Process

1. Fill out the Options Stain-to-Match Request Form and send along with a color sample (2" x 3" minimum) to the Herman Miller Options Applications Team at the address provided on the form. The form can be found on Omni.
2. Within 7-10 working days, Herman Miller Options will send a sample of the color-matched stain on Herman Miller veneer to the requester for the customer's signed approval.
3. If the sample meets the customer's approval, sign the reverse side of the sample, scan and email the approval to:  
options@hermanmiller.com.
4. After the stain has been approved, a formal quotation with special number and pricing can be provided, or the product can be specified through the Vary Easy program, if available. Work with the Options team on final product needs and how to specify.
5. A purchase order can then be placed.

## Stain-to-Match Warranty

Herman Miller warrants its products to be free from defects in craftsmanship from the date of delivery for the applicable warranty period. Herman Miller is responsible for the physical properties of the veneers available through the Stain-to-Match program, which include:

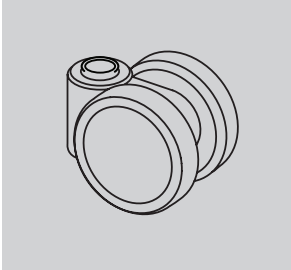
- STA: Stain-to-Match on Recut Ash
- STB: Stain-to-Match on Beech
- STC: Stain-to-Match on Cherry
- STD: Stain-to-Match on Oak
- STK: Stain-to-Match on Reltech Anigre (Geiger)
- STM: Stain-to-Match on Recut Mahogany
- STP: Stain-to-Match on Maple
- STU: Stain-to-Match on Walnut (Geiger)

See your specification tool for product specific finish offering limitations.

# Casters and Glides

▲	<b>WARNING</b>	▲
Depending on the floor surface, chair may unexpectedly roll away from user when entering or exiting the chair, possibly leading to unexpected injury. Please refer to descriptions of floor types when selecting casters.		

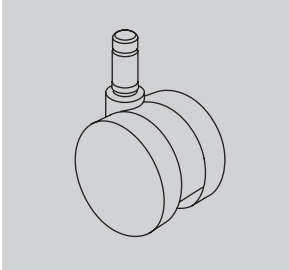
## 32 Caster



1 7/8-inch-diameter hard double-wheel caster; black nylon wheels and yoke; for use on carpet only

Applicable on:  
Keyn Chairs  
Sayl® Chairs

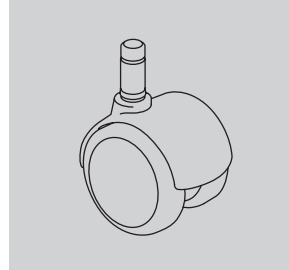
## BB Caster



2 1/2-inch-diameter hard double-wheel caster; black nylon wheels and yoke; for use on carpet only

Applicable on:  
New Aeron® Chairs  
Caper® Chairs  
Celle® Chairs  
Embody® Chairs  
Equa 2® Chairs  
Ergon 3® Chairs  
Lino™ Chairs      Sayl Chairs  
Mirra 2 Chairs    Verus™ Chairs

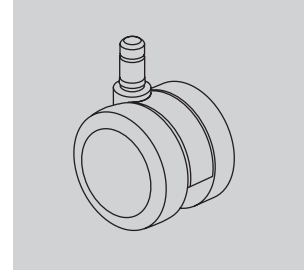
## BSC Caster



2-inch-diameter double-wheel caster; black nylon wheels and hood; soft polyurethane tread; for use on hard floors or carpet

Applicable on:  
Eames® Aluminum Group  
Eames Executive Chairs  
Eames Soft Pad Group  
Eames Task Chairs

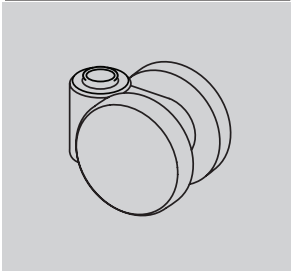
## C9 Caster



2 1/2-inch-diameter double-wheel caster; black nylon wheels and yoke; soft polyurethane tread; internal brake; for use on hard floors or carpet

Applicable on:  
Caper Chairs  
Celle Chairs  
Embody Chairs  
Equa 2 Chairs  
Ergon 3 Chairs  
Keyn Chairs      Sayl Chairs  
Lino Chairs      Setu® Stools  
Mirra 2 Chairs    Verus Chairs

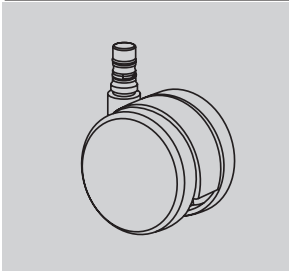
## 49 Caster



1 7/8-inch-diameter soft double-wheel caster; black nylon wheels and yoke; for use on hard floors or carpet

Applicable on:  
Keyn Chairs  
Sayl Chairs

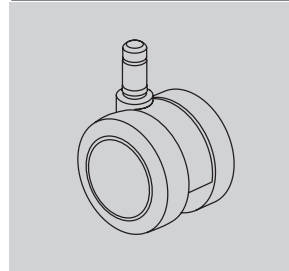
## BKS Caster



2 1/2-inch-diameter hard double-wheel caster; black yoke; quiet roll technology; for use on carpet only

Applicable on:  
Cosm™ Chairs

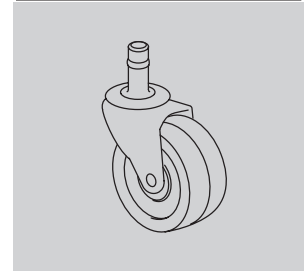
## C7 Caster



2 1/2-inch-diameter double-wheel caster; black nylon wheels and yoke; soft polyurethane tread; for use on hard floors or carpet

Applicable on:  
New Aeron Chairs  
Caper Chairs  
Celle Chairs  
Embody Chairs  
Equa 2 Chairs  
Ergon 3 Chairs  
Lino Chairs  
Mirra 2 Chairs  
Sayl Chairs      Verus Chairs

## CA Caster



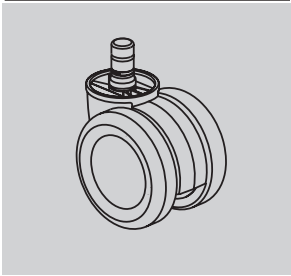
2-inch-diameter single-wheel caster; black rubber wheel with black yoke; for use on hard floors or carpet

Applicable on:  
Co/Struc® System

# Casters and Glides

continued

**DC1 Caster**

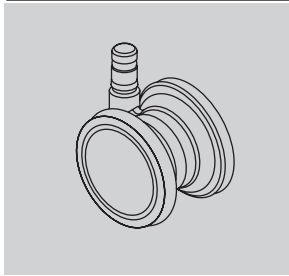


2 1/2-inch-diameter double-wheel braking caster; black nylon wheels and yoke; for use on hard floors or carpet; quiet roll technology

Applicable on:

New Aeron Chairs

**H9 Caster**

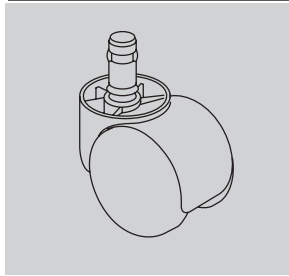


2 1/2-inch-diameter double-wheel caster; clear polycarbonate wheels; nylon yoke; soft polyurethane tread; for use on carpet only.

Applicable on:

Embody Chairs  
Keyn Chairs  
Setu Chairs

**HW Caster**

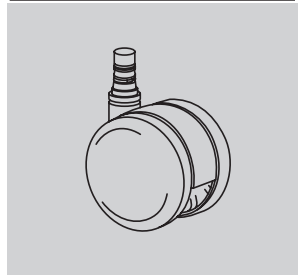


2-inch-diameter double-wheel caster; black nylon wheels and hood; for use on carpet only

Applicable on:

Limerick® Cart

**O2 Caster**

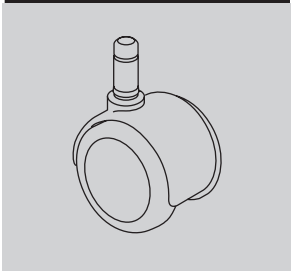


2 1/2-inch-diameter double-wheel caster; nylon wheels and yoke; soft polyurethane tread; quiet roll technology; for use on hard floors or carpet

Applicable on:

Cosm Chairs

**DS Caster**

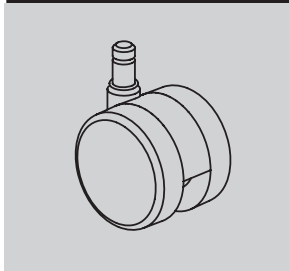


2-inch-diameter soft double-wheel braking caster; black nylon wheels and hood; for use on hard floors only

Applicable on:

Aside® Chairs  
Caper Chairs

**HCC Caster**

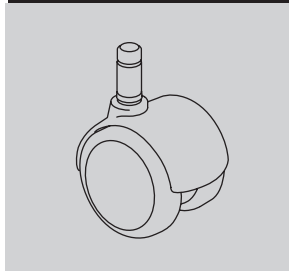


2 1/2-inch-diameter double-wheel medium roll resistance caster; black yoke; for use on hard floors or carpet.

Applicable on:

Keyn Chairs  
Setu Chairs

**MD Caster**

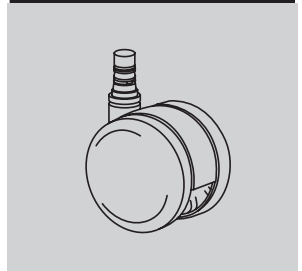


2-inch-diameter double-wheel caster; black nylon wheels with integral chrome hood; soft polyurethane tread; for use on hard floors or carpet

Applicable on:

Eames® Aluminum Group  
Eames Executive Chairs  
Eames Soft Pad Group  
Eames Task Chairs

**OC Caster**



2 1/2-inch-diameter double-wheel medium roll-resistant caster; black nylon wheels and yoke; soft polyurethane tread; for use on hard floors or carpet; quiet roll technology

Applicable on:

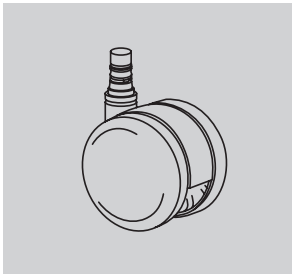
Cosm Chairs  
Keyn Chairs  
Setu Chairs



# Casters and Glides

continued

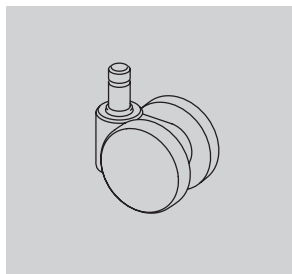
**SC8 Caster**



2 1/2-inch-diameter double-wheel caster; black nylon wheels and yoke; soft polyurethane tread; quiet roll technology; for use on hard floors or carpet

Applicable on:  
Cosm Chairs  
Mirra 2 Chairs

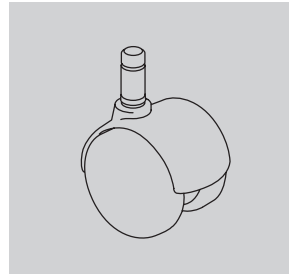
**U4 Caster**



1 7/8-inch-diameter hard double-wheel caster; black nylon wheels and yoke; for use on carpet only

Applicable on:  
Aside Chairs  
Caper Chairs  
Verus Chairs

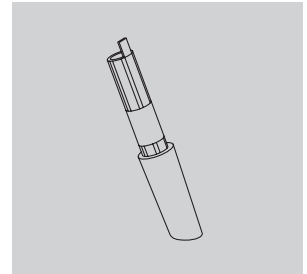
**UD Caster**



2-inch-diameter hard double-wheel caster; black nylon wheels with painted hood; for use on carpet only

Applicable on:  
Eames® Aluminum Group  
Eames Executive Chairs  
Eames Soft Pad Group  
Eames Task Chairs

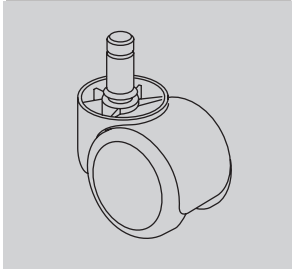
**16 Glide**



(Front glide shown)  
2 1/8-inch-high glide; black or fog acetal; for use on carpet only

Applicable on:  
Sayl Chairs

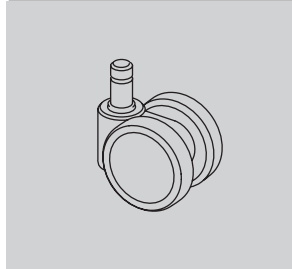
**SW Caster**



2-inch-diameter soft double-wheel caster; black nylon wheels and hood; for use on hard floors only

Applicable on:  
Limerick Cart

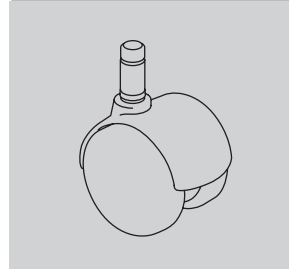
**U5 Caster**



1 7/8-inch-diameter soft double-wheel caster; black nylon wheels and yoke; for use on hard floors or carpet

Applicable on:  
Aside Chairs  
Caper Chairs  
Verus Chairs

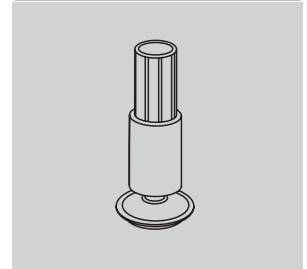
**VD Caster**



2-inch-diameter hard double-wheel caster; black nylon wheels with integral chrome hood; for use on carpet only

Applicable on:  
Eames Aluminum Group  
Eames Executive Chairs  
Eames Soft Pad Group  
Eames Task Chairs

**69 Glide**



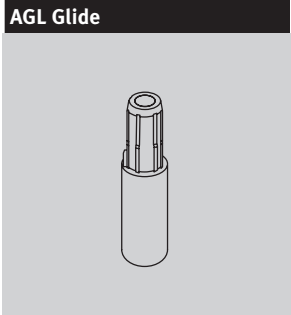
(Front glide shown)  
2 1/8-inch-high glide; black glass-filled nylon stem; steel-plated swivel foot with Floor Saver Glide™ insert; for use on hard floors only

Applicable on:  
Sayl Chairs

# Casters and Glides

continued

Appendix: Casters and Glides



**AGL Glide**  
 2<sup>1</sup>/<sub>4</sub>-inch-high glide; black or white nylon stem; for use on carpet only  
 Applicable on:  
 Keyn Chairs



**G4 Glide**  
 1<sup>7</sup>/<sub>8</sub>-inch-high glide; black acetal; for use on carpet only  
 Applicable on:  
 Verus Chairs



**GF Glide**  
 2<sup>1</sup>/<sub>2</sub>-inch-high glide; black nylon; for use on hard floors or carpet  
 Applicable on:  
 New Aeron Chairs  
 Caper Chairs  
 Celle Chairs  
 Cosm Chairs  
 Equa 2 Chairs  
 Ergon 3 Chairs  
 Mirra 2 Chairs  
 Sayl Chairs



**GL Glide**  
 1<sup>7</sup>/<sub>8</sub>-inch-high glide; black nylon stem; steel-plated swivel foot with Floor Saver Glide™ insert; for use on hard floors only  
 Applicable on:  
 Verus chairs



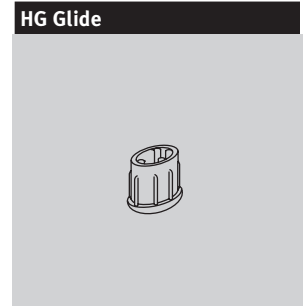
**FSG Glide**  
 2<sup>1</sup>/<sub>4</sub>-inch-high glide; black or white nylon stem; steel-plated swivel foot with Floor Saver Glide™ insert; for use on hard floors only  
 Applicable on:  
 Keyn Chairs



**GD Glide**  
 1<sup>1</sup>/<sub>2</sub>-inch-diameter glide; 1/2 inch in height; black nylon; for use on hard floors or carpet  
 Applicable on:  
 Eames Aluminum Group  
 Eames Executive Chairs  
 Eames Soft Pad Group  
 Eames Task Chairs



**GG Glide**  
 1/2-inch-high ganging glide; clear polycarbonate; for use on hard floors or carpet  
 Applicable on:  
 Limerick Chairs



**HG Glide**  
 1/2-inch-high glide; black nylon glide with stainless-steel insert; for use on hard floors or carpet  
 Applicable on:  
 Aside Chairs

# Casters and Glides

continued

## SB Glide

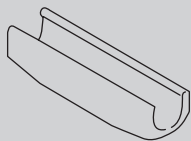


1/4-inch-high, 1-inch diameter glide; thermoplastic CAP material (G1 base has black glides; XT base has clear glides); for use on hard floors or carpet

Applicable on:

Equa 2 Chairs

## SG Glide (for Limerick)

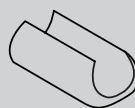


1/2-inch-high glide; clear polycarbonate; for use on hard floors or carpet

Applicable on:

Limerick Chairs

## XS Glide

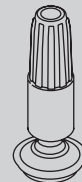


1/8-inch-high glide; polycarbonate in black, fog, clear, and studio white finishes; for use on hard floors or carpet

Applicable on:

Sayl Chairs

## YX Glide



1 7/8-inch-high glide; black nylon stem; steel-plated swivel foot with Floor Saver Glide™ insert; for use on hard floors only

Applicable on:

Caper Chairs

## SG Glide (for Aside)

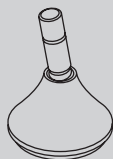


1/2-inch-high glide; black nylon; for use on carpet only

Applicable on:

Aside Chairs

## X8 Glide



Glide; low profile; for use on hard floors or carpet

Applicable on:

Setu Chairs

## Y7 Glide



1 7/8-inch-high glide; black acetal; for use on carpet only

Applicable on:

Caper Chairs



# Customer's Own Material/Customer's Own Leather Order Information — Seating

## Packaging

Packaging varies according to individual product. A surcharge may be added for special packaging requests. Contact Customer Care for specific information.

## Customer's Own Material/Customer's Own Leather

### Program Overview

The Customer's Own Material (COM) and Customer's Own Leather (COL) program gives you the option of using textiles other than those listed. Herman Miller will test textiles for application to Herman Miller products and will process orders for those with approved COM/COL textiles only. COM/COL are assigned lead-time textiles.

Omni lists an overview of fabrics and leathers that have been tested and indicates whether or not they were approved for application to Herman Miller products.

Specific information on the terms and conditions, testing, approval, and ordering process for COM/COL is listed below. Questions about the COM/COL program and requests for assistance may be directed to your COM representative at:

(616) 654 3400

(866) 854 3048 EXT 6543400

### Customer's Own Material/Customer's Own Leather Warranty

Herman Miller does not warrant COM/COL textiles. COM/COL textiles are tested for application only; they are not tested for performance. The Herman Miller warranty does apply to the underlying products.

Suppliers of COM/COL textiles are responsible for color consistency within commercial tolerances, UV stability, and resistance to soiling and perspiration.

### Customer's Own Material/Customer's Own Leather Pricing

COM is a Category 1 fabric. There are no application charges for COM fabrics. COL is a Category 7 textile; refer to prices on specific products to determine the application charge.

Ordering and payment for COM/COL textile yardage are the responsibility of the customer and the textile supplier.

If desired, Herman Miller will purchase COM textiles directly from True Textiles, C.F. Stinson, Luna Textiles, Maharam, and Momentum Textiles to simplify ordering and shipment. For this service, refer to the Supplier Connection program.

## Textile Approval

1. Select a COM/COL textile and a Herman Miller product.
2. If your textile is not listed in Omni, obtain a test number from a COM representative at (616) 654 3400. You can also submit your request within Omni. Please have the following information ready before calling: textile name, number, pattern, roll width, and the product you will apply it to.

Additional yardage may be needed due to the unique characteristics of a textile. All package labels must include the words "COM test" or "COL test" and the assigned COM/COL test number.

3. Herman Miller will notify you of approval or disapproval within 4 days from receipt of the test yardage.

## Ordering Products with COM/COL

1. Refer to the specific products to determine the yardage required for COM/COL textiles.
2. If your textile is not listed in Omni, call a COM representative at (616) 654 3400 or (866) 854 3048 EXT 6543400. The representative will assign an identification number for your textile (ID#) and will verify yardage requirements for your order. Additional yardage may be needed due to the unique characteristics of a textile.
3. Enter your order on Order Manager in Omni.
4. Upon receipt of your purchase order, Herman Miller will send you a PO acknowledgment.
5. Arrangements must be made for the textiles to be shipped from the supplier to Herman Miller for application to the seating products. Textiles must be tagged with the assigned identification number and the roll yardage quantity. See Omni for shipping procedures and current shipping addresses or contact a COM representative at (616) 654 3400 or (866) 854 3048 EXT 6543400.

Products will be scheduled for production when COM/COL textiles are received at Herman Miller. Standard lead times in effect at that time will apply.

*Note: If textiles are to be purchased directly by Herman Miller through the Supplier Connection program, Herman Miller will handle the ordering and shipping process and will schedule your order for production upon receipt of your purchase order (dependent on textile availability). Refer to the Supplier Connection program for more information.*

# Customer's Own Material/Customer's Own Leather Order Information — Seating

continued

## Supplier Connection

### Program Overview

The Supplier Connection program is a service offered by Herman Miller to purchase approved COM textiles directly from True Textiles, C.F. Stinson, Luna Textiles, Maharam, and Momentum Textiles. When you select a textile through this program, Herman Miller will facilitate the ordering, scheduling, and shipment of the textile directly with the supplier.

Suppliers included in the Supplier Connection program keep an active inventory of textiles that are pre-approved for application to Herman Miller products. Pre-approval applies only to the suitability of a textile for manufacturing and application to a Herman Miller product. Omni provides an overview of fabrics that have been tested and indicates whether or not they were approved for application to Herman Miller products.

Specific information on the terms and conditions, testing, approval, and ordering process for the Supplier Connection program is listed below. Questions and requests for assistance may be directed to your COM representative at:

(616) 654 3400

(866) 854 3048 EXT 6543400

### Supplier Connection Warranty

Textiles purchased by Herman Miller through the Supplier Connection program are COM and are not warranted by Herman Miller. COM textiles are tested for application only; they are not tested for performance. The Herman Miller warranty does apply to the underlying products.

Suppliers of COM textiles are responsible for color consistency within commercial tolerances, UV stability, and resistance to soiling and perspiration.

### Supplier Connection Pricing

Textiles purchased by Herman Miller through the Supplier Connection program are COM. COM is a Category 1 fabric. There are no application charges for COM fabrics.

Payment for textiles purchased by Herman Miller through the Supplier Connection program is the responsibility of the customer or dealer. Herman Miller will invoice the order at the supplier's prices published at the time of the order.

### Textile Approval

1. Refer to Omni to identify the approval status of the textile. If your textile is not listed, contact the COM Department to request testing for application to Herman Miller products.
2. Herman Miller will notify you of approval or disapproval in approximately 4 days from receipt of the test yardage. If the textile is approved, it will be assigned a COM identification number.

### Ordering Products with Supplier Connection COM

1. Identify and include the following information on your purchase order:
  - Product number and option
  - Herman Miller's COM identification number
2. Enter your order on Order Manager in Omni.
3. Upon receipt of the purchase order, Herman Miller will process your order and send you a PO acknowledgment. Herman Miller will determine the yardage required to produce your product and will order and schedule for delivery the required textile. Standard lead times in effect at the time the textile is allocated at the supplier will apply to products ordered through this program.







# Proprietary Textiles Application Chart — Collection Seating

• Available

[A] Assigned lead-time textile.

See below for exception notes.

[N] Non-woven textile.

	Chadwick Modular Seating	Eames® Aluminum Group Outdoor	Eames Aluminum Group Chairs/Ottomans	Eames Soft Pad Group Chairs/Ottomans	Eames Executive Chairs	Eames Lounge Chairs/Ottomans	Eames Molded Fiberglass/Plastic/Wood Chairs Upholstered Seat Pad	Eames Molded Fiberglass/Plastic Chairs Upholstered	Eames Molded Plywood Chair Upholstered	Eames Wire Chair Upholstered Seat Pad	Eames Sofa Compact	Eames Sofa, 2 and 3 Seat	Goetz™ Sofa	Module Lounge Seating	Nelson™ Daybed Cushion/Bolsters	Nelson Platform Bench Cushion	Nelson Marshmallow Sofa	Nelson Pedestal Stool	Bevel Sofa/Bolster Sofa	Brabo Lounge Seating	Bumper Seating	Crosshatch Lounge Chair/Ottoman	Full Twist™ Chair/Landmark™ Chair	Nessel Chair	Envelope™ Chair	Rolled Arm Sofa Group	Saiba Seating	Scissor™ Chair	Sled™ Chair	Striad Lounge Chair/Ottoman	Tuxedo Component Lounge/Tuxedo Classic Seating — Non-quilted	Tuxedo Component Lounge/Tuxedo Classic Seating — Quilted	Wireframe™ Sofa Group
<b>Price Category 10</b>																																	
5-5__ Bristol Leather - Geiger Textile (5-6__)			•	•	•	•			•			•	•	•				•	•	•	•	•	•	•	•	•	•	•	•	•	•	•	•
196__ Moleskin Emboss - Geiger Textile										13		•								•													
<b>Price Category 11</b>																																	
1R__ MCL Leather [A]			•	•	•	•			•			•	•																				
175__ Tenera Leather - Geiger Textile												•	•																				

1 Refer to price book appendices and Omni for COM/COL information.  
 6 Not available on Landmark Chair.  
 7 Available only on Eames Aluminum Group Chair EA334, EA335.

9 Not available in Bristol Leather 5-597 Pure on Saiba Chair.  
 13 Fabric is railroaded.  
 16 Not available on Striad Chair cushions.



# Proprietary Textile Colors — Collection Seating

## Price Category 1

**Customer's Own Material**  
See Order Information in Appendices. Assigned lead-time textile. [A](#)

**Dex**  
54" wide  
50% recycled polyester  
50% polyester  
3DE01 Frost  
3DE02 Silver Pine  
3DE03 Stone  
3DE04 Shale  
3DE05 Charcoal

**Gem**  
54" wide  
100% antimony-free polyester  
9501 Sesame  
9502 Tangerine  
9503 Red  
9504 Red Violet  
9505 Mulberry  
9506 Java  
9507 Twilight  
9508 Bayou  
9509 Iris  
9510 Berry Blue  
9511 Aqua Green  
9512 Green Apple  
9513 Spruce  
9514 Black  
9515 Slate Grey  
9516 Fog

**Lyris 2™**  
74% elastomeric  
26% polyester  
4W21 Alpine  
4W22 Mango  
4W23 Chartreuse  
4W25 Berry Blue  
4W26 Slate Grey  
4W28 Chino  
4W29 Rattan  
4W30 Java  
4W31 Graphite

**Monologue**  
54" wide  
56% recycled polyester  
44% polyester  
1MN01 Linen  
1MN02 Alabaster  
1MN03 Truffle  
1MN04 Folkstone  
1MN05 Silver Pine  
1MN06 Slate  
1MN07 Seed  
1MN08 Yellow Oxide  
1MN09 Persimmon  
1MN10 Tundra  
1MN11 Meadow  
1MN12 Blue Sky  
1MN13 Blue Spruce  
1MN14 Deep Sea

**Tailored**  
54" wide  
56% polyester  
44% recycled polyester  
23501 Studio White  
23502 Sugar  
23503 Tomato  
23504 Orchid  
23505 Boysenberry  
23506 Chive  
23507 Bluegrass  
23508 Cobalt  
23509 Cadet  
23510 Fog  
23511 Graphite  
23512 Black  
23513 Coffee

**Whisper**  
54" wide  
73% recycled polyester  
27% polyester  
1WS01 Sand Dollar  
1WS02 Pebble  
1WS03 Silver Birch  
1WS04 Iceberg  
1WS05 Silver Pine  
1WS06 Carbon  
1WS07 Cumin  
1WS08 Adobe  
1WS09 Strawberry  
1WS10 Blush  
1WS11 Eggplant  
1WS12 Willow  
1WS13 Sea Grass  
1WS14 Pool  
1WS15 Blueberry

## Price Category 2

**Aristo**  
54" wide  
88% recycled polyester  
12% polyester  
Acrylic backing  
3AR01 Forest Moss  
3AR02 Light Brindle  
3AR03 Mink  
3AR04 Copper  
3AR05 Adobe  
3AR06 Cherry  
3AR07 Lilac  
3AR08 Green Apple  
3AR09 Surf  
3AR10 Waterfall  
3AR11 Cadet  
3AR12 Tin  
3AR13 Pewter  
3AR14 Grey Brindle  
3AR15 Grey Black

**Crepe**  
54" wide  
100% recycled polyester  
9201 Licorice  
9203 Smoke  
9207 Cherry  
9209 Claret  
9212 Raisin  
9218 Aquamarine  
9223 Cadet  
9241 Beachglass  
9243 Midnight  
9244 Artichoke  
9248 Warm White  
9249 Stone  
9250 Earth  
9251 Fog  
9252 Slate Grey  
9253 Yellow Dark  
9254 Coral  
9255 Blush Grey  
9256 Wild Berry  
9257 Clover  
9258 Caribbean

Price category 2 continued on next page

# Proprietary Textile Colors — Collection Seating

continued

## Price Category 2

Appendix: Proprietary Textile Colors — Collection Seating

### Crepe continued

9259	Cerulean
9260	Brownstone
9261	Shale
9262	Graphite
9263	Tomato
9264	Green Apple

### Epic

54" wide	
56% recycled polyester	
44% polyester	
Acrylic backing	
3EP01	Alabaster
3EP02	Smoke
3EP03	Falcon
3EP04	Citrus Spring
3EP05	Copper
3EP06	Urban Orange
3EP07	Poppy
3EP08	Wild Plum
3EP09	Sugar Plum
3EP10	Clover
3EP11	Loden
3EP12	Everglade
3EP13	Mist
3EP14	Peacock
3EP15	Cadet
3EP16	Indigo
3EP17	Spring Wood
3EP18	Grey Brindle
3EP19	Seed
3EP20	Carbon Dark

### Fish Net

55" wide	
100% recycled polyester	
22Q01	Oyster
22Q02	Stone
22Q03	Citrus
22Q04	Curry
22Q05	Chipotle
22Q06	Cherry
22Q07	Fuschia
22Q08	Claret
22Q09	Purple
22Q10	Clover
22Q11	Pesto
22Q12	Peacock
22Q13	Lagoon
22Q14	Twilight
22Q15	Bluestone
22Q16	Storm
22Q17	Black
22Q18	Cocoa

### Marvel

54" wide	
100% pvc-free polyurethane	
antimicrobial, antibacterial finish	
1MV01	Summer White
1MV02	Sand Dollar
1MV03	Espresso
1MV04	Folkstone Grey
1MV05	Graphite
1MV06	Onyx
1MV07	Polar Blue
1MV08	Blush Grey
1MV09	Woodrose
1MV10	Citrus
1MV11	Adobe
1MV12	Red
1MV13	Kiwi Green
1MV14	Pine
1MV15	Teal Green
1MV16	Twilight

### Medley

54" wide	
100% polyester	
1HA01	Stone
1HA02	Trail
1HA03	Charcoal
1HA04	Cinder
1HA05	Citrus
1HA06	Papaya
1HA07	Chutney
1HA08	Tundra
1HA09	Feather Grey
1HA10	Chartreuse
1HA11	Loden
1HA12	Peacock
1HA13	Bayou
1HA14	Blue Grotto
1HA15	Blueberry
1HA22	Khaki
1HA23	Pewter
1HA24	Yellow Oxide
1HA25	Vintage Rose
1HA26	Raspberry
1HA27	Acai Berry

### Moiré

54" wide	
100% recycled polyester	
3A01	Concrete
3A02	Biscotti
3A03	Rattan
3A04	Chambray
3A05	Fern
3A08	Violet
3A09	Zin
3A10	Curry
3A11	Spice
3A12	Cork

### Rhythm

54" wide	
100% polyester	
3001	Kiwi Green
3002	Green Apple
3003	Peacock
3004	Bayou
3005	Berry Blue
3006	Iris
3007	Twilight
3008	Pumpkin
3009	Poppy
3010	Molasses
3011	Mulberry
3012	Khaki
3013	Mink
3014	Black
3015	Charcoal

### Rivet

54" wide	
100% recycled polyester	
1RV01	Twig
1RV02	Deep Clay
1RV03	Woodrose
1RV04	Otter
1RV05	Hemlock
1RV06	Olive
1RV07	Lagoon
1RV08	Deep Sea
1RV09	Charcoal
1RV10	Grey Brindle

Price category 2 continued on next page

# Proprietary Textile Colors — Collection Seating

continued

## Price Category 2

continued

### Sequel

54" wide	
100% vinyl	
100% polyester knit backing	
Resilience® finish	
3SL01	White
3SL02	Pebble
3SL03	Mushroom
3SL04	Stone
3SL05	Chestnut
3SL06	Rattan
3SL07	Black Cherry
3SL08	Tundra
3SL09	Seal
3SL10	Blue Fog
3SL11	Folkstone
3SL12	Shale
3SL13	Slate Grey
3SL14	Charcoal
3SL15	Carbon Dark

### Twist

54" wide	
80% antimony-free polyester	
13% recycled polyester	
7% polyester	
8R05	Wicker
8R10	Poppy
8R14	Tin
8R15	Shale
8R16	Graphite
8R17	Birch
8R18	Sepia
8R22	Blueberry
8R23	Green Apple
8R26	Gunmetal
8R27	Cinder
8R28	Citrus
8R29	Pekoe
8R30	Tangerine
8R31	Red Plum
8R32	Wisteria
8R33	Forest
8R34	Jade Dark
8R35	Waterfall
8R36	Midnight Blue
8R37	Carbon Dark

### Well Suited

55" wide	
79% polyester	
21% recycled polyester	
22T01	Oyster
22T02	Raffia
22T03	Peppermint
22T04	Wild Berry
22T05	Spring Green
22T06	Mint
22T07	Periwinkle
22T08	Cool Grey
22T09	Citrus
22T10	Pumpkin
22T11	Red
22T12	Fuschia
22T13	Orchid
22T14	Chartreuse
22T15	Green Apple
22T16	Jade
22T17	Peacock
22T18	Blueberry
22T19	Bluestone
22T20	Mink

## Price Category 3

### Ace

54" wide	
100% polyurethane	
Polyester knit backing	
Stain resistant finish	
3AC01	Summer White
3AC02	White Ash
3AC03	Rye
3AC04	Metal
3AC05	Clay
3AC06	Chestnut
3AC07	Citrus
3AC08	Camelback
3AC09	Chipotle
3AC10	Claret
3AC11	Slate Purple
3AC12	Artichoke
3AC13	Sepia Dark
3AC14	Aloe
3AC15	Flint
3AC16	Blue Sky
3AC17	Oceanside
3AC18	Midnight
3AC19	Spring Wood
3AC20	Frost
3AC21	Lead
3AC22	Black

### Bento

54" wide	
100% antimony-free polyester	
7001	Frost
7002	Linen
7003	Khaki
7004	Truffle
7005	Grey Black
7006	Pumpkin
7007	Cranberry
7008	Everglade
7009	Cobalt

### Cambrai - Geiger Textile

54" wide	
100% polyester	
Antimicrobial stain resistant finish	
Acrylic backing	
21601	Natural
21602	Khaki
21603	Hemp
21604	Pumice
21605	Lavarock
21606	Carbon
21607	Ink

### Meld - Maharam

54" wide	
68% post-consumer recycled polyester	
32% polyester	
PFOA-Free stain resistant	
ZM201/466387-201	Vast
ZM202/466387-202	Panda
ZM203/466387-203	Skyline
ZM204/466387-204	Knight
ZM205/466387-205	Quill
ZM206/466387-206	Pipe
ZM207/466387-207	Grate
ZM208/466387-208	Gloss
ZM209/466387-209	Bulb
ZM210/466387-210	Bride
ZM211/466387-211	Stark
ZM212/466387-212	Seashell

Price category 3 continued on next page

Appendix: Proprietary Textile Colors — Collection Seating

# Proprietary Textile Colors — Collection Seating

continued

## Price Category 3

continued

### Meld continued

ZM213/466387-213	Antler
ZM214/466387-214	Crater
ZM215/466387-215	Perennial
ZM216/466387-216	Mulberry
ZM217/466387-217	Fuchsia
ZM218/466387-218	Amethyst
ZM219/466387-219	Merlot
ZM220/466387-220	Magma
ZM221/466387-221	Rooster
ZM222/466387-222	Heat
ZM223/466387-223	Clementine
ZM224/466387-224	Fox
ZM225/466387-225	Kiss
ZM226/466387-226	Bare
ZM227/466387-227	Blonde
ZM228/466387-228	Mimosa
ZM229/466387-229	Comet
ZM230/466387-230	Honeydew
ZM231/466387-231	Wild
ZM232/466387-232	Vine
ZM233/466387-233	Seed
ZM234/466387-234	Kale
ZM235/466387-235	Waterfall
ZM236/466387-236	Nordic
ZM237/466387-237	Reef
ZM238/466387-238	Wave
ZM239/466387-239	Isle
ZM240/466387-240	Creek
ZM241/466387-241	Mariner
ZM242/466387-242	Globe
ZM243/466387-243	Spa

### Mini Plaid - Geiger Textile

56" wide	
100% polyester	
PFOA-Free stain resistant finish	
Acrylic backing	
1MP01	Vintage Ivory
1MP02	Light Gray
1MP03	Ore
1MP04	Coffee Bean
1MP05	Shadow
1MP06	Charcoal
1MP07	Black Onyx
1MP08	Gray Blue
1MP09	Deep Federal
1MP10	Celadon
1MP11	Blaze
1MP12	Lipstick

### Pinpoint - Geiger Textile

57" wide	
100% antimony-free polyester	
19810	Cream
19811	Camel
19820	Luggage
19830	Red
19831	Wine
19832	Cordovan
19850	Navy
19870	Trench Dark
19880	Charcoal
19881	Grey

### Pins and Needles

58" wide	
76% recycled polyester	
24% polyester	
22R01	Day and Night
22R02	Night and Day

### Saille - Geiger Textile

57" wide	
69% cotton	
31% polyester	
PFOA-Free stain resistant finish	
Acrylic backing	
18001	Coal
18002	Shale
18003	Haze
18004	Stone
18005	White
18006	Beach
18007	Sand
18008	Blush
18009	Brick
18010	Fog
18011	Celadon
18012	Poolside
18013	Summer Sky

### Stitches

54" wide	
54% polyester	
46% recycled polyester	
8U02	Rye
8U03	Khaki
8U04	Honey
8U05	Cattail
8U08	Cool Grey
8U09	Slate Blue
8U11	Evening Blue
8U12	Charcoal
8U13	Kiwi Green
8U16	Cocoa
8U17	Seed

### String Plaid

54" wide	
100% recycled polyester	
22V01	Warm White on Khaki
22V02	Mint on Yellow Green
22V03	Mist on Blue Grey
22V04	Sky Blue on Red
22V05	Lime on Magenta
22V06	Bright Green on Green
22V07	Aqua Blue on Cerulean
22V08	Ivory on Black

### Tweed Stripe - Geiger Textile

54" wide	
38% polyester	
37% cotton	
18% acrylic	
7% post-industrial recycled cotton	
PFOA-Free stain resistant finish	
16701	Cotton
16702	Cream
16703	Chamois
16704	Golden Gray
16705	Brown Gray
16706	Celadon
16707	Vessel
16708	Gray Blue
16709	Deep Federal
16710	Onyx
16711	Java
16712	Sunset
16713	Citronella

# Proprietary Textile Colors — Collection Seating

continued

## Price Category 4

### Bateau - Geiger Textile

54" wide  
56% post-industrial recycled cotton  
30% polyester  
14% post-industrial recycled polyester  
PFOA-Free stain resistant finish

1AK01	Cloud
1AK02	Fawn
1AK03	Breeze
1AK04	Meadow
1AK05	Rafia
1AK06	Dark Sand
1AK07	Steel
1AK08	Milky Way

### Bingo

54" wide  
100% PVC-free polyurethane

7Y01	Oyster
7Y02	Natural
7Y03	Cashew
7Y05	Rattan
7Y06	Root
7Y07	Woodland
7Y10	Allspice
7Y11	Canyon
7Y17	Seed
7Y18	Mushroom
7Y19	Blue Grey
7Y21	Black
7Y22	Mint
7Y23	Seaport
7Y24	Evening Blue
7Y26	Kiwi Green
7Y27	Celadon
7Y29	Pesto

### Braid - Geiger Textile

56" wide  
100% polyester

1AG01	Pearl
1AG02	Dark Sand
1AG03	City Night
1AG04	Shadow
1AG05	Midnight Blue

### Cygnus™

For Eames® Aluminum Group Chairs  
69% elastomeric  
31% polyester

5401	Black
5402	Zinc
5403	Quartz

### Derby - Geiger Textile

57" wide  
50% polyester  
34% post-industrial recycled polyester  
32% post-consumer recycled polyester  
PFOA-Free stain resistant finish  
Acrylic backing

1AE01	Antique White
1AE02	Blush
1AE03	Ivory
1AE04	Light Gray
1AE05	Ore
1AE06	Coffee Bean
1AE07	Onyx
1AE08	Cadet Blue
1AE09	Marine
1AE10	Steel Blue
1AE11	Teal
1AE12	Persimmon
1AE13	Cinnabar
1AE14	Dark Scarlet

### Fringe - Geiger Textile

54" wide  
74% recycled polyester  
20% nylon  
6% polyester

1AF01	Buckskin
1AF02	Ash Blonde
1AF03	Silver Bay
1AF04	Perfect Taupe
1AF05	Morning Sky
1AF06	Lapis
1AF07	Indigo
1AF08	Paprika
1AF09	Deep Red
1AF10	Dark Sienna
1AF11	French Press
1AF12	Black Bay

### Irregular Grid - Geiger Textile

56" wide  
85% polyester  
14% rayon  
1% nylon  
PFOA-Free stain resistant  
Acrylic backing

1AT01	Fog
1AT02	Stone
1AT03	Trench
1AT04	Gray Blue
1AT05	Flint

### Kalista - Geiger Textile

54" wide  
71% post-industrial recycled cotton  
18% post-industrial recycled polyester  
11% polyester  
PFOA-Free stain resistant finish

1AL01	Cotton
1AL02	Natural
1AL03	Titanium
1AL04	Pewter
1AL05	Starry Night
1AL06	Red Hot
1AL07	Sun Kissed
1AL08	Dune
1AL09	Beach Glass
1AL10	Bluestone
1AL11	Seaside
1AL12	Night Sky

### Micro Houndstooth - Geiger Textile

57" wide  
50% polyester  
33% post-consumer recycled polyester  
17% post-industrial recycled polyester  
PFOA-Free stain resistant finish  
Acrylic backing

1MH01	Silver Ore
1MH02	Oatmeal
1MH03	Coffee Bean
1MH04	Charcoal
1MH05	Dark Night
1MH06	Onyx
1MH07	Gray Blue
1MH08	Federal
1MH09	Gray Green
1MH10	Blaze
1MH11	Gothic Red

### Modo - Geiger Textile

54" wide  
100% polyurethane  
100% polyester knit backing  
Antimicrobial stain resistant finish

17301	White
17302	Cream
17303	Dune
17304	Warm Sand
17305	Caramel
17306	Latte
17307	Saddle
17308	Paprika
17309	Scarlet
17310	Deep Red
17311	Navy
17312	Racing Green
17313	Aquamarine
17314	Smoke
17315	Charcoal
17316	Black
17317	Espresso

Price category 4 continued on next page

# Proprietary Textile Colors — Collection Seating

continued

Appendix: Proprietary Textile Colors — Collection Seating

## Price Category 4

continued

Ottoman - Geiger Textile	
54" wide	
100% recycled polyester	
GreenShield	
19710	Cream
19711	Camel
19712	Vicuna
19713	Stone
19719	Aqua
19720	Citron
19721	Luggage
19728	Ruby
19729	Currant
19730	Red
19731	Blaze
19732	Persimmon
19748	Titanium
19749	Pewter
19750	Oxford
19751	Cadet Dark
19752	Blue
19760	Willow
19761	Napa
19767	Sterling
19768	Flint
19769	Slate
19770	Trench
19771	Java
19777	Deep Sea
19778	Navy
19779	Metal
19780	Black

Piccolo - Geiger Textile	
54" wide	
39% wool	
36% nylon	
13% rayon	
12% post-consumer recycled polyester	
PFOA-Free stain resistant	
Acrylic backing	
1AU01	Grey Blue
1AU02	City Night
1AU03	Trench
1AU04	Sangria
1AU05	Cerise
1AU06	Navy
1AU07	Lake
1AU08	Wine
1AU09	Charcoal
1AU10	Midnight Blue

Spools	
54" wide	
51% recycled polyester	
49% polyester	
Crypton® Green	
8Y03	Trail
8Y05	Copper
8Y08	Bluegrass
8Y09	Lagoon
8Y11	Beachglass
8Y12	Marsh
8Y13	Bud

Strata	
54" wide	
50% solution dyed recycled nylon	
50% solution dyed nylon	
22P04	Pesto
22P05	Peacock
22P06	Blue Jay
22P07	Blueberry
22P09	Mango
22P10	Paprika
22P11	Mulberry
22P12	Wheat
22P13	Brownstone
22P14	Bayou

## Price Category 5

Bouclé - Geiger Textile	
54" wide	
100% recycled polyester	
GreenShield	
1GA10	Creme
1GA11	Dune
1GA12	Camel
1GA20	Luggage
1GA21	Copper
1GA30	Wine
1GA31	Red Dark
1GA50	Navy
1GA60	Willow
1GA61	Fir
1GA70	Umber
1GA71	Java
1GA80	Stone
1GA81	Graphite
1GA82	Black

Button-Up - Geiger Textile	
54" wide	
58% post-consumer recycled cotton	
18% rayon	
15% polyester	
9% acrylic	
PFOA-Free stain resistant	
Acrylic backing	
1AQ01	Monochrome
1AQ02	Pale Blue
1AQ03	Brick
1AQ04	Prairie
1AQ05	Tourmaline
1AQ06	Shadow
1AQ07	Cool Navy
1AQ08	Poolside
1AQ09	Lake

Dapper - Geiger Textile	
54" wide	
55% recycled polyester	
28% nylon	
17% rayon	
1AD01	Brick
1AD02	Pale Slate Blue
1AD03	Vessel
1AD04	Coffee
1AD05	Mountainside
1AD06	Cerise
1AD07	Dark Night

Essential Twill - Geiger Textile	
53" wide	
70% post-consumer recycled polyester	
27% wool	
3% nylon	
PFOA-Free stain resistant finish	
Acrylic backing	
16801	Cream
16802	Fog
16803	Orange
16804	Natier Blue
16805	Blue
16806	Forest
16807	Smoke
16808	Shale

Herringbone - Geiger Textile	
54" wide	
50% nylon	
27% cotton	
23% polyester	
GreenShield	
19310	Copper
19330	Vermillion
19350	Oxford
19351	Cadet
19352	Navy
19360	Willow
19370	Trench Dark
19371	Umber
19380	Stone
19381	Flannel

Price category 5 continued on next page



# Proprietary Textile Colors — Collection Seating

continued

## Price Category 5

continued

Hopsak	
56" wide	
100% recycled polyester	
14A20	Black
14A22	Raw Umber Dark
14A26	Grey Blue Dark
14A30	Sepia Dark
14A38	Emerald Dark
14A39	Yellow Dark
14A40	Orange
14A41	Sienna
14A42	Olive Green Dark
14A43	Crimson
14A44	Crimson Dark Dark
14A45	Violet Dark
14A46	Pink Dark Dark
14A47	Ultramarine Dark
14A48	Cobalt Blue
14A49	Terra Cotta
14A50	Ochre Dark

Iota - Geiger Textile	
55" wide	
72% post-consumer recycled polyester	
28% cotton	
GreenShield	
Acrylic backing	
1AS01	Pearl Gray
1AS02	Light Chestnut Brown
1AS03	Light Blue
1AS04	Light Gray
1AS05	Ferric Gray
1AS06	Deep Cerulean Blue
1AS07	Carrot
1AS08	Natural Native Umber
1AS09	Chestnut Brown
1AS10	Claret
1AS11	Ruby Red
1AS12	Forest
1AS13	Navy
1AS14	Plum
1AS15	Burnt Umber

Iron Cloth - Geiger Textile	
54" wide	
61% nylon	
22% rayon	
17% cotton	
19510	Cream
19511	Stone
19512	Camel
19520	Citron
19530	Red
19531	Cordovan
19550	Sky
19551	Navy
19552	Cadet
19560	Leaf
19570	Trench
19571	Umber
19580	Black

Noble	
54" wide	
100% wool	
22N02	Chipotle
22N04	Cherry
22N07	Cadet
22N08	Berry Blue
22N09	Peacock
22N11	Pesto
22N12	Blue Grey Mix
22H15	Heathered Black
22H16	Heathered Grey
22H17	Heathered Twilight
22H18	Heathered Rye Grass
22N19	Lemongrass Mix
22H20	Heathered Red
22H21	Heathered Wild Berry
22N22	Pesto Mix
22N23	Lagoon Mix

Pixel Stripe - Geiger Textile	
56" wide	
65% cotton	
35% recycled polyester	
1AP01	Pale / Dark Ash
1AP02	Ash / Light Grey
1AP03	Night / Cream
1AP04	Cardinal / Cream
1AP05	Denim / Neutral
1AP06	Federal / Taupe
1AP07	Olive / Neutral

Straightaway - Geiger Textile	
54" wide	
48% polyester	
39% cotton	
13% rayon	
PFOA-Free stain resistant	
Acrylic backing	
1AR01	White
1AR02	Cream
1AR03	Lemon
1AR04	Sunset
1AR05	Brown Gray
1AR06	Java
1AR07	Black Green
1AR08	Jade
1AR09	Cobalt

Striae - Geiger Textile	
53" wide	
62% polyester	
38% nylon	
19910	Neutral
19911	Camel Java
19992	Blue
19990	Charcoal Saddle
19991	Navy
19993	Java Copper
19994	Bright

Threads - Geiger Textile	
54" wide	
73% post-industrial recycled cotton	
27% polyester	
PFOA-Free stain resistant finish	
Acrylic backing	
21801	Cotton
21802	Stonewashed
21803	Silver
21804	Chamois
21805	Cargo Gray
21806	Black Brown
21807	Dark Denim
21808	Sunset

Vavare - Geiger Textile	
54" wide	
50% post-consumer recycled cotton	
28% cotton	
13% polyester	
9% acrylic	
PFOA-Free stain resistant finish	
Acrylic backing	
17401	Pearl Gray
17402	Sandstone
17403	Monochrome
17404	Shadow
17405	Blue Earth
17406	Lakeside
17407	Midsummer
17408	Bittersweet

# Proprietary Textile Colors — Collection Seating

continued

## Price Category 6

Classic Velvet - Geiger Textile	
55" wide	
100% polyester	
Polyester/cotton backing	
16501	Opal
16502	Ice Blue
16503	Platinum
16504	Smoky Taupe
16505	Blaze
16506	Majestic Red
16507	Peridot
16508	Obsidian
16509	Truffle
16510	Sapphire

Gridwork - Geiger Textile	
54" wide	
100% post-consumer recycled polyester	
PFOA-Free stain resistant	
Acrylic backing	
1AM01	Mustard
1AM02	Persimmon
1AM03	Willow
1AM04	Red
1AM05	Camel
1AM06	Natier Blue

Outdoor Weave	
For Eames® Aluminum Group	
Outdoor Chairs	
50% elastomeric	
50% polypropylene	
7202	Jute
7203	Lead
7204	Java
7205	Graphite

Pick-Stitch Plaid - Geiger Textile	
54" wide	
38% post-industrial recycled nylon	
32% rayon	
30% cotton	
PFOA-Free stain resistant finish	
Acrylic backing	
17001	Cotton
17002	Camel
17003	Red
17004	Blue
17005	Forest
17006	Bark
17007	Gray

Sommar - Geiger Textile	
55" wide	
62% cotton	
24% polyester	
14% acrylic	
PFOA-Free stain resistant finish	
1AJ01	Cloud
1AJ02	Natural
1AJ03	Light Silver
1AJ04	Oxford
1AJ05	Sweet Tea
1AJ06	Amber
1AJ07	Mocha Caramel
1AJ08	Dark Roast

Tattersall Reverse - Geiger Textile	
54" wide	
35% cotton	
29% polyester	
27% nylon	
9% recycled polyester	
GreenShield	
20010	Saddle
20020	Willow
20030	Red
20050	Navy
20070	Trench
20071	Latte Umber
20080	Flannel Umber

## Price Category 7

Customer's Own Leather	
See Order Information in	
Appendices. Assigned lead-time	
textile. <a href="#">A</a>	

Bellano - Geiger Textile	
55" wide	
75% wool	
10% linen	
8% nylon	
7% alpaca	
1AX01	Pearl
1AX02	Fog
1AX03	Fawn
1AX04	Pumice
1AX05	Pewter
1AX06	Atlantic
1AX07	Black Green
1AX08	Adriatic
1AX09	Coffee
1AX10	Charcoal
1AX11	Umber
1AX12	Magenta
1AX13	Bittersweet
1AX14	Sunflower

Capri - Geiger Textile	
55" wide	
36% cotton	
32% acrylic	
24% rayon	
8% polyester	
PFOA-Free stain resistant finish	
Acrylic backing	
17201	Snow
17202	Stone
17203	Trench
17204	Graphite
17205	Anthracite
17206	Light Silver
17207	Russet
17208	Chestnut Brown
17209	Sand
17210	Sterling
17211	Cobalt
17212	Ink

Corduroy Plaid - Geiger Textile	
55" wide	
100% polyester pile	
100% acrylic	
18910	Cream
18970	Umber
18980	Charcoal

Double Beam Redux - Geiger Textile	
52" wide	
52% rayon	
45% post-consumer recycled polyester	
3% nylon	
PFOA-Free stain resistant finish	
Acrylic backing	
22001	Oyster
22002	Mortar
22003	Pale Goldenrod
22004	Pewter
22005	Light Steel Blue
22006	Dark Denim
22007	Cocoa

Epinglé - Geiger Textile	
56" wide	
57% acrylic, 43% polyester pile	
60% polyester, 40% acrylic	
1GC10	Ivory
1GC11	Dune
1GC12	Camel
1GC30	Red
1GC50	Navy
1GC70	Trench
1GC71	Java
1GC80	Charcoal
1GC81	Fog

Price category 7 continued on next page

# Proprietary Textile Colors — Collection Seating

continued

## Price Category 7

continued

Milaner - Geiger Textile	
55" wide	
56% wool, 10% acrylic	
10% alpaca, 10% cotton	
8% nylon, 6% rayon	
17101	Linen
17102	Flax
17103	Bark
17104	Deep Navy
17105	Charcoal
17106	Medium Grey
17107	Ash
17108	Crimson

Panno Di Dolce - Geiger Textile	
55" wide	
65% wool	
20% nylon	
15% alpaca	
1AV01	Fog
1AV02	Dune
1AV03	Trench
1AV04	Flannel
1AV05	Charcoal
1AV06	Umber
1AV07	Deep Navy
1AV08	Graphite

Pantile - Geiger Textile	
54" wide	
54% cotton	
40% polyester	
6% acrylic	
PFOA-Free stain resistant	
Acrylic backing	
1AN01	Stone
1AN02	Trench
1AN03	Red
1AN04	Aqua Blue
1AN05	Sapphire
1AN06	Black

Resca - Geiger Textile	
56" wide	
75% wool	
10% linen	
8% nylon	
7% alpaca	
1AW01	Fog
1AW02	Dune
1AW03	Trench
1AW04	Flannel
1AW05	Umber
1AW06	Bordeaux

Sateen Weave - Geiger Textile	
54" wide	
92% wool, 8% nylon	
16301	Bright Red
16302	Cognac Brown
16303	Chestnut Brown
16304	Pale Native Umber
16305	Light Native Umber
16306	Sahara Sand Deep
16307	Light Blue
16308	Deep Cerulean Blue
16309	Light Veronese Green
16310	Black Green
16311	Deep Native Umber
16312	Chestnut Brown
16313	Natural Native Umber
16314	Navy

True Herringbone - Geiger Textile	
54" wide	
49% rayon	
48% post-consumer recycled polyester	
3% nylon	
PFOA-Free stain resistant finish	
Acrylic backing	
22401	Olivine
22402	Camel
22403	Earthen
22404	Caribbean Sea
22405	Vermillion
22406	Denim
22407	Bordeaux
22408	Prussian Blue
22409	Dark Sienna

Twill Plaid - Geiger Textile	
53" wide	
70% post-consumer recycled polyester	
27% wool	
3% nylon	
PFOA-Free stain resistant finish	
Acrylic backing	
16901	Cream
16902	Fog
16903	Orange
16904	Natier Blue
16905	Blue
16906	Forest
16907	Smoke
16908	Shale

Velvet Plaid - Geiger Textile	
55" wide	
94% polyester, 6% acrylic pile	
100% acrylic	
20110	Cream
20170	Umber
20180	Charcoal

Vesture - Geiger Textile	
55" wide	
40% wool, 25% polyester	
20% silk, 15% nylon	
PFOA-Free stain resistant finish	
21701	Ashen
21702	Dark Blush
21703	Dusk
21704	Medium Gray
21705	Twilight

Wool Epinglé - Geiger Textile	
54" wide	
100% wool	
16201	Swiss Red
16202	Orange
16203	Light Chestnut Brown
16204	Light Burnt Umber
16205	Pale Native Umber
16206	Pearl Grey
16207	Grey
16208	Natier Blue
16209	Deep Cerulean Blue
16210	Anthracite
16211	Natural Native Umber
16212	Chestnut Brown

Wool Satin - Geiger Textile	
56" wide	
40% polyester, 33% wool	
27% cotton	
20270	Trench
20271	Umber
20280	Flannel
20281	Charcoal

Wool Tweed - Geiger Textile	
54" wide	
80% wool, 20% nylon	
16601	Trench
16602	Pewter
16603	Ruby
16604	Blue Gray
16605	Navy
16606	Umber
16607	Charcoal

# Proprietary Textile Colors — Collection Seating

continued

## Price Category 8

### Basketweave - Geiger Textile

53" wide  
60% cotton  
40% wool

18710	Dune
18711	Saddle
18712	Camel Flannel
18770	Umber
18780	Stone
18781	Charcoal

### Staple - Geiger Textile

54" wide  
100% wool

16101	Light Native Umber
16102	Medium Native Umber
16103	Pearl Grey
16104	Light Grey
16105	Ferric Grey
16106	Black Green
16107	Prussian Blue
16108	Navy
16109	Burnt Umber
16110	Chestnut Brown
16111	Ruby Red

### Striscia - Geiger Textile

53" wide  
73% wool  
24% rayon  
3% nylon  
PFOA-Free stain resistant  
Acrylic backing

1AY01	Mojave
1AY02	Cheyenne
1AY03	Santa Fe
1AY04	Zion
1AY05	Portland
1AY06	Everglade
1AY07	Sierra
1AY08	Huron

## Price Category 9

### Alpaca Mohair - Geiger Textile

54" wide  
63% alpaca  
21% cotton, 16% polyester

18510	Dune
18511	Trench
18512	Vicuna
18570	Sepia
18571	Umber
18580	Fog
18581	Flannel
18582	Charcoal

### Corded Stripe - Geiger Textile

54" wide  
100% cotton

22301	Federal Taupe
22302	Cool Navy
22303	Swiss Red
22304	Deep Sea
22305	Blue Brown
22306	Red Madder

### Leather

approx. 50 sq. ft. per hide  
100% leather

2101	Ivory
2109	Black
2110	Smoke
2111	Graphite
2112	Khaki
2113	Rattan
2114	Truffle
2115	Alpine
2116	Haze
2117	Sable Grey
2118	Dark Mineral
2119	Dark Carbon
2120	Cranberry
2121	Deep Sea

## Price Category 10

### Bristol Leather - Geiger Textile

approx. 55 sq. ft. per hide  
100% leather

5-507	Black
5-511	Putty
5-512	Grebe
5-514	Iona
5-519	Hunter
5-520	White
5-521	Ivory
5-522	Parchment
5-524	Espresso
5-534	Pearl
5-537	Caribbean
5-546	Pumice
5-547	Smoke
5-548	Charcoal
5-549	Dark Shale
5-556	Downtown Grey
5-557	City Night
5-558	Neutral
5-559	Ash Grey
5-563	Champagne
5-564	Chestnut Brown
5-565	Dark Sienna
5-566	Earthen
5-567	Desert
5-568	British Green
5-569	Wrought Iron
5-579	Paris Blue
5-583	Atlantic
5-589	Umber
5-591	Bone
5-592	Camel
5-594	Taupe
5-597	Pure *
5-598	Cream
5-599	Poppy
5-600	Midnight Blue
5-601	Deep Aubergine
5-602	Merlot
5-603	Sangria
5-604	Swiss Red
5-605	Nordic Yellow
5-606	Sky Grey

### Moleskin Emboss - Geiger Textile

53" wide  
100% nylon

19610	Ivory
19611	Cream
19612	Latte
19613	Camel
19614	Saddle
19630	Red
19650	Oxford
19651	Navy
19670	Trench
19671	Java
19680	Flannel
19681	Charcoal

\* Color not available on Saiba Chair.

# Proprietary Textile Colors — Collection Seating

*continued*

---

## Price Category 11

### MCL Leather

approx. 55 sq. ft. per hide

100% leather

1R01	Pearl
1R02	Ivory
1R05	Red
1R07	Espresso
1R08	Stone
1R10	Black
1R11	Clay
1R12	Grey
1R13	Gunmetal
1R14	Charcoal
1R15	Cobblestone
1R16	Mulberry

### Tenera Leather - Geiger Textile

approx. 55 sq. ft. per hide

100% leather

17501	Cement
17502	Marzipan
17503	Sunglow
17504	Raw Sienna
17505	Maple
17506	Poppy
17507	Salsa
17508	Cranberry
17509	Burnt Sienna
17510	Dark Chocolate
17511	Black
17512	Carbon
17513	Sapphire



# Maharam® Application Chart — Collection Seating

• Available

Maharam textiles are on assigned lead times. A

[N] Non-woven textile.

	Chadwick Modular Seating	Bevel Sofa/Bolster Sofa	Eames® Aluminum Group Chairs/Ottomans	Eames Soft Pad Group Chairs/Ottomans	Eames Executive Chairs	Eames Lounge Chairs/Ottomans	Eames Molded Fiberglass/Plastic/Wood Chairs Upholstered Seat Pad	Eames Molded Fiberglass/Plastic Chairs Upholstered	Eames Molded Plywood Chair Upholstered	Eames Wire Chair Upholstered Seat Pad	Eames Sofa, 2 and 3 Seat	Eames Sofa Compact	Goetz™ Sofa	Module Lounge Seating	Nelson™ Daybed Cushion/Bolsters	Nelson Pedestal Stool	Nelson Platform Bench Cushion	Wireframe™ Sofa Group	Brabo Lounge Seating	Bumper Seating	Crosshatch Chair/Ottoman	Envelope™ Chair	Full Twist™ Chair/Landmark™ Chair	Nessel Chair	Rolled Arm Sofa Group	Scissor™ Chair	Sled™ Chair	Striad Lounge Chair/Ottoman	Tuxedo Component Lounge/Tuxedo Classic Seating Quilted	Tuxedo Component Lounge/Tuxedo Classic Seating Non-quilted
<b>Price Category 1-2</b>																														
No fabrics available at this time.																														
<b>Price Category 3</b>																														
ZM2__ Meld - Maharam		•										•	•				•	•	•	•	•	•	•	•	•	•	•	•	•	•
<b>Price Category 4-9</b>																														
No fabrics available at this time.																														
<b>Price Category 10</b>																														
Z22__ Superweave		•						•				•	•	•	•			•	•	•	•	•		•		•	•		•	•
<b>Price Category 11-13</b>																														
No fabrics available at this time.																														
<b>Price Category 14</b>																														
Z13__ Lanalux		•						•				•	•	•	•			•	•	•	•	•		•		•	•		•	•
<b>Price Category A</b>																														
No fabrics available at this time.																														
<b>Price Category B</b>																														
VM__ Medium				•	•							•	•																	
TI__ Messenger *			•	•	•		1					•	•					•										•		
<b>Price Category C</b>																														
ZLR__ Lariat [N]			•																•	•	•	•	•	•	•	•	•	•	•	•
Z27__ Manner	•		1	•	1			1			•	1	•				•	•	•	•	•	•	•	•	•	•	•	•	•	•
Z3__ Metric								•				•	•				•	•	•	•	•	•	•	•	•	•	•	•	•	•
ZML__ Milestone			1	•	1			1			•	1	•				•	•	•	•	•	•	•	•	•	•	•	•	•	•
<b>Price Category D</b>																														
ZAT__ Article [N]			•	•	•			•			•	•	•				•	•	•	•	•	•	•	•	•	•	•	•	•	•
ZMD__ Mode			•	•	•			•			•	•					•	•	•	•	•	•	•	•	•	•	•	•	•	•
<b>Price Category E</b>																														
ZFS__ Focus				•	1			1			•	1	•				•	•	•	•	•	•	•			•	•		•	•
V9G__ Ledger [N]			•	•	•			•			•	•	•				•	•	•	•	•	•	•	•	•	•	•	•	•	•
ZMB__ Micro					•			•			•	•					•	•	•	•	•	•	•	•	•	•	•	•	•	•
Z32__ Skein								•			•	•	•				•	•	•	•	•	•	•	•	•	•	•	•	•	•
<b>Price Category F</b>																														
ZAS__ Abacus Standard								1			•	1	•				•	•	•	•	•	•	•	•	•	•	•	•	•	•
ZAY__ Alloy [N]			1		1			1			•	1	•				•	•	•	•	•	•	•	•	•	•	•	•	•	•
ZAL__ Alter											•	•	•				•	•	•	•	•	•	•	•	•	•	•	•	•	•
ZBT__ Bitmap [N]			1	•	1			1				1	•				•	•	•	•	•	•	•	•	•	•	•	•	•	•
V9M__ Chime [N]											•	•	•				•	•	•	•	•	•	•	•	•	•	•	•	•	•

continued on next page

\* Available in select colors on 20-day lead-time. Refer to “Maharam Textile Colors-Collection Seating” for 20-day colors.







# Maharam® Application Chart — Collection Seating

continued

	Chadwick Modular Seating	Bevel Sofa/Bolster Sofa	Eames® Aluminum Group Chairs/Ottomans	Eames Soft Pad Group Chairs/Ottomans	Eames Executive Chairs	Eames Lounge Chairs/Ottomans	Eames Molded Fiberglass/Plastic/Wood Chairs Upholstered Seat Pad	Eames Molded Fiberglass/Plastic Chairs Upholstered	Eames Molded Plywood Chair Upholstered	Eames Wire Chair Upholstered Seat Pad	Eames Sofa, 2 and 3 Seat	Eames Sofa Compact	Goetz™ Sofa	Module Lounge Seating	Nelson™ Daybed Cushion/Bolsters	Nelson Pedestal Stool	Nelson Platform Bench Cushion	Wireframe™ Sofa Group	Brabo Lounge Seating	Bumper Seating	Crosshatch Chair/Ottoman	Envelope™ Chair	Full Twist™ Chair/Landmark™ Chair	Nessel Chair	Roller Arm Sofa Group	Scissor™ Chair	Sled™ Chair	Striad Lounge Chair/Ottoman	Tuxedo Component Lounge/Tuxedo Classic Seating Quilted	Tuxedo Component Lounge/Tuxedo Classic Seating Non-quilted	
<b>Price Category I</b>																															
ZCT__Centric																															
ZCW__Colorwheel									•			•	•						•	•	•	•	•	•	•	•	•	•	•	•	•
ZGN__Garden				•				•			•	•	•				•														
ZKF__Highfield																															
ZSY__Study																•	•	•	•	•	•	•	•	•	•	•	•	•	•	•	•
ZTJ__Trio																															
ZVS__Vases																															
ZVY__Vineyard																															
ZVG__Voyage																															
<b>Price Category J</b>																															
ZCL__Coach Cloth																															
ZDD__Design 9297																															
ZFK__Fluted Silk																															
ZMT__Melange Tweed																															
V19__Mikado																															
ZSW__Soft Tweed																															
ZTG__Tangram																															
ZTA__Telary																															
ZT1__Tokyo																															
ZTB__Transport																															
ZWB__Waterborn [N]																															
ZWR__Wool Rib																															
<b>Price Category K</b>																															
ZC6__Carapace																															
V12__Checker																															
V13__Checker Split																															
ZDB__Dingbats																															
V14__Double Triangles																															
V15__Facets																															
ZQP__Optik																															
ZQR__Orakelblume																															
ZPS__Painted Stripe																															
V20__Pavement																															
ZTE__Trees																															
ZUN__Unisol																															

continued on next page



# Maharam® Application Chart — Collection Seating

continued

	Chadwick Modular Seating	Bevel Sofa/Bolster Sofa	Eames® Aluminum Group Chairs/Ottomans	Eames Soft Pad Group Chairs/Ottomans	Eames Executive Chairs	Eames Lounge Chairs/Ottomans	Eames Molded Fiberglass/Plastic/Wood Chairs Upholstered Seat Pad	Eames Molded Fiberglass/Plastic Chairs Upholstered	Eames Molded Plywood Chair Upholstered	Eames Wire Chair Upholstered Seat Pad	Eames Sofa, 2 and 3 Seat	Eames Sofa Compact	Goetz™ Sofa	Module Lounge Seating	Nelson™ Daybed Cushion/Bolsters	Nelson Pedestal Stool	Nelson Platform Bench Cushion	Wireframe™ Sofa Group	Brabo Lounge Seating	Bumper Seating	Crosshatch Chair/Ottoman	Envelope™ Chair	Full Twist™ Chair/Landmark™ Chair	Nessel Chair	Rolled Arm Sofa Group	Scissor™ Chair	Sled™ Chair	Striad Lounge Chair/Ottoman	Tuxedo Component Lounge/Tuxedo Classic Seating Quilted	Tuxedo Component Lounge/Tuxedo Classic Seating Non-quilted	
<b>Price Category Q</b>																															
ZAB__ A Band Apart											•	•	•			•	•	•	•	•	•	•	•			•	•	•	•		
ZAM__ Aftermath											•	•	•				•	•	•	•	•	•	•			•	•	•	•		
ZAG__ Agency											•	•	•				•	•	•	•	•	•	•			•	•	•	•		
ZBA__ Brushed Camel					•			•			•	•	•			•	•	•	•	•	•	•	•		•	•	•	•	•	•	•
ZDS__ Deconstructed Rose																					•	•	•								
ZMV__ Massive Paisley								•			•	•	•				•	•	•	•	•	•	•			•	•	•	•	•	•
ZTF__ The Firm								•			•	•	•				•	•	•	•	•	•	•	•		•	•	•	•	•	•
<b>Price Category R</b>																															
ZBB__ Borders											•	•						•	•	•	•	•	•			•	•	•	•	•	•
ZCA__ Compartment																			•	•	•	•	•			•	•	•	•	•	•
<b>Price Category S</b>																															
ZBV__ Bavaria											•	•	•					•	•	•	•	•	•	•		•	•	•	•	•	•
<b>Price Category T</b>																															
ZKR__ Hours																		•	•	•	•	•	•	•		•	•	•	•	•	•
<b>Price Category U</b>																															
ZLD__ Layers Garden Double																		•	•	•	•	•	•	•		•	•	•	•	•	•
ZLB__ Layers Park Double																		•	•	•	•	•	•	•		•	•	•	•	•	•
<b>Price Category V-W</b>																															
No fabrics available at this time.																															
<b>Price Category X</b>																															
ZED__ Eden											•	•				•	•	•	•	•			•			•	•	•	•	•	•
ZFG__ Foliage											•	•					•	•	•	•	•		•		•	•	•	•	•	•	•
<b>Price Category Y</b>																															
ZND__ Industry											•	•					•	•	•	•	•		•		•	•	•	•	•	•	•
<b>Price Category Z</b>																															
No fabrics available at this time.																															
<b>Leather Price Category 10M</b>																															
ZPA__ Pace Leather [N]			•	•	•	4		•		•	•	•				•															

- 1 Available in select colors. Refer to “Maharam Textile Colors - Collection Seating” for color offering.
- 2 Available on Eames Molded Fiberglass and Molded Plastic Upholstered Side Chairs only.
- 3 Available on Tuxedo Classic Seating products only.
- 4 Not available on White Ash Edition or Ebony Edition of Eames Lounge Chair/Ottoman.
- 5 Not available on Full Twist Chair.
- 6 Not available on Landmark Chair.

# Maharam Textile Colors — Collection Seating

## Price Category 1-2

No fabrics available at this time.

## Price Category 3

### Meld – Maharam

54" wide  
 68% post-consumer recycled polyester  
 32% polyester  
 PFOA-Free stain resistant

ZM201/466387-201 Vast  
 ZM202/466387-202 Panda  
 ZM203/466387-203 Skyline  
 ZM204/466387-204 Knight  
 ZM205/466387-205 Quill  
 ZM206/466387-206 Pipe  
 ZM207/466387-207 Grate  
 ZM208/466387-208 Gloss  
 ZM209/466387-209 Bulb  
 ZM210/466387-210 Bride  
 ZM211/466387-211 Stark  
 ZM212/466387-212 Seashell  
 ZM213/466387-213 Antler  
 ZM214/466387-214 Crater  
 ZM215/466387-215 Perennial  
 ZM216/466387-216 Mulberry  
 ZM217/466387-217 Fuchsia  
 ZM218/466387-218 Amethyst  
 ZM219/466387-219 Merlot  
 ZM220/466387-220 Magma  
 ZM221/466387-221 Rooster  
 ZM222/466387-222 Heat  
 ZM223/466387-223 Clementine  
 ZM224/466387-224 Fox  
 ZM225/466387-225 Kiss  
 ZM226/466387-226 Bare  
 ZM227/466387-227 Blonde  
 ZM228/466387-228 Mimosa  
 ZM229/466387-229 Comet  
 ZM230/466387-230 Honeydew  
 ZM231/466387-231 Wild  
 ZM232/466387-232 Vine  
 ZM233/466387-233 Seed  
 ZM234/466387-234 Kale

### Meld continued

ZM235/466387-235 Waterfall  
 ZM236/466387-236 Nordic  
 ZM237/466387-237 Reef  
 ZM238/466387-238 Wave  
 ZM239/466387-239 Isle  
 ZM240/466387-240 Creek  
 ZM241/466387-241 Mariner  
 ZM242/466387-242 Globe  
 ZM243/466387-243 Spa

## Price Category 4-9

No fabrics available at this time.

- Maharam textiles are on assigned lead times [A](#).
- Fabric numbers are listed as Herman Miller fabric number/Maharam fabric number.

# Maharam Textile Colors — Collection Seating

continued

Price Category 10	Price Category 11-13	Price Category 14	Price Category A
<p><b>Superweave - Maharam</b></p> <p>54" wide 75% polyester 25% cotton</p> <p>Z2203/466241-005 Sienna Z2204/466241-002 Ochre Z2207/466241-004 Marine Z2208/466241-003 Olive Z2220/466241-001 Orange and Pink</p>	<p>No fabrics available at this time.</p>	<p><b>Lanalux - Maharam</b></p> <p>54" wide 100% wool</p> <p>Z1375/466240-005 Black/White Z1378/466240-006 Olive/Black Z1380/466240-001 Natural Z1383/466240-002 Umber Z1384/466240-007 Natural/Black Z1386/466240-003 Orange Z1387/466240-004 Crimson</p>	<p>No fabrics available at this time.</p>

- Maharam textiles are on assigned lead times [A](#).
- Fabric numbers are listed as Herman Miller fabric number/Maharam fabric number.

# Maharam Textile Colors — Collection Seating

continued

## Price Category B

### Medium – Maharam

54" wide
100% polyester
VM01/463490-001 Raven
VM02/463490-002 Smoke
VM03/463490-003 Alloy
VM04/463490-004 Flax
VM06/463490-006 Bark
VM07/463490-007 Espresso
VM08/463490-008 Pecan
VM12/463490-012 Pumpkin
VM13/463490-013 Persimmon
VM14/463490-014 Laser
VM16/463490-016 Port
VM22/463490-022 Marina
VM29/463490-029 Pistachio
VM32/463490-032 Prospect
VM36/463490-036 Delight
VM39/463490-039 Nautical
VM40/463490-040 Pool
VM44/463490-044 Washed
VM45/463490-045 Sculpture
VM46/463490-046 Thatched
VM47/463490-047 Hike
VM48/463490-048 Tangle
VM49/463490-049 Pacific
VM50/463490-050 Cosmic
VM51/463490-051 Cascade
VM52/463490-052 Blackberry
VM53/463490-053 Nasturtium
VM54/463490-054 Wooded

### Messenger – Maharam

54" wide
78% post-industrial recycled polyester
15% polyester, 7% nylon
TI01/458640-001 Balsa
TI06/458640-006 Tobacco
TI07/458640-007 Shadow *
TI08/458640-008 Bayou *
TI10/458640-010 Zinc
TI24/458640-024 Poppy
TI25/458640-025 Mao
TI29/458640-029 Onyx
TI31/458640-031 Cloud *
TI38/458640-038 Depth *
TI40/458640-040 Nile
TI41/458640-041 Azure *
TI45/458640-045 Cactus *
TI46/458640-046 Ice * **
TI48/458640-048 Neon *
TI50/458640-050 Hydrangea *
TI51/458640-051 Lilac
TI52/458640-052 Chestnut
TI53/458640-053 Tangelo
TI54/458640-054 Lumine *
TI58/458640-058 Snow **
TI59/458640-059 Fennel
TI60/458640-060 Peridot *
TI61/458640-061 Capri
TI62/458640-062 Ultramarine
TI63/458640-063 Squall
TI66/458640-066 Cassis
TI67/458640-067 Aster
TI68/458640-068 Spice
TI69/458640-069 Cherry
TI70/458640-070 Vibrant
TI71/458640-071 Satsuma *
TI72/458640-072 Maize

### Messenger continued

TI76/458640-076 Fossil
TI77/458640-077 Ash
TI78/458640-078 Tusk
TI79/458640-079 Oyster **
TI80/458640-080 Pensive
TI81/458640-081 Husk
TI82/458640-082 Fireside
TI83/458640-083 Chili
TI84/458640-084 Robust
TI85/458640-085 Beyond
TI86/458640-086 Voyage
TI87/458640-087 Everglade
TI88/458640-088 Electric

\* Colors available on 20-day lead time.

\*\* Colors not available on Eames Molded Fiberglass and Molded Plastic Side Chairs.

## Price Category C

### Lariat – Maharam

54" wide
100% vinyl
ZLR01/440401-001 001
ZLR02/440401-002 002
ZLR03/440401-003 003
ZLR04/440401-004 004
ZLR06/440401-006 006
ZLR07/440401-007 007
ZLR08/440401-008 008
ZLR10/440401-010 010
ZLR11/440401-011 011
ZLR12/440401-012 012
ZLR13/440401-013 013
ZLR14/440401-014 014
ZLR15/440401-015 015
ZLR16/440401-016 016
ZLR18/440401-018 018
ZLR20/440401-020 020
ZLR21/440401-021 021
ZLR23/440401-023 023
ZLR24/440401-024 024
ZLR25/440401-025 025
ZLR26/440401-026 026
ZLR27/440401-027 027
ZLR28/440401-028 028
ZLR29/440401-029 029
ZLR30/440401-030 030
ZLR31/440401-031 031
ZLR32/440401-032 032
ZLR33/440401-033 033
ZLR34/440401-034 034
ZLR35/440401-035 035
ZLR36/440401-036 036
ZLR37/440401-037 037
ZLR38/440401-038 038

Price category C continued on next page

- Maharam textiles are on assigned lead times [A](#).
- Fabric numbers are listed as Herman Miller fabric number/Maharam fabric number.

# Maharam Textile Colors – Collection Seating

continued

## Price Category C

continued

Manner - Maharam	
54" wide	
65% post-industrial recycled polyester	
35% post-consumer recycled polyester	
Z2701/466177-001	Magic
Z2702/466177-002	Carob
Z2703/466177-003	Porpoise
Z2704/466177-004	Flint
Z2705/466177-005	Hush *
Z2706/466177-006	Nuance
Z2707/466177-007	Thicket
Z2708/466177-008	Cocoa
Z2709/466177-009	Pathway
Z2710/466177-010	Cola
Z2711/466177-011	Ember
Z2712/466177-012	Wagon
Z2713/466177-013	Ablaze
Z2714/466177-014	Peel
Z2715/466177-015	Penny
Z2716/466177-016	Butterscotch
Z2717/466177-017	Harvest
Z2718/466177-018	Lioness
Z2719/466177-019	Caper
Z2720/466177-020	Parakeet
Z2721/466177-021	Greenway
Z2722/466177-022	Aquatic
Z2723/466177-023	Cottage
Z2724/466177-024	Dahlia
Z2725/466177-025	Vivid
Z2726/466177-026	Basin
Z2727/466177-027	Schooner

\* Color not available on Eames Aluminum Group, Executive Chairs, Upholstered Molded Plywood Chairs, and Sofa Compact.

Metric – Maharam	
54" wide	
51% post-industrial recycled polyester	
49% polyester	
Z301/466014-001	Phantom
Z302/466014-002	Fog
Z303/466014-003	Fleece
Z304/466014-004	Sourdough
Z305/466014-005	Toffee
Z306/466014-006	Driftwood
Z307/466014-007	Mineral
Z308/466014-008	Bittersweet
Z309/466014-009	Arabica
Z310/466014-010	Cerise
Z311/466014-011	Brick
Z312/466014-012	Cardinal
Z313/466014-013	Lava
Z314/466014-014	Oriole
Z315/466014-015	Cedar
Z317/466014-017	Caramel
Z318/466014-018	Pollen
Z319/466014-019	Tupelo
Z320/466014-020	Alligator
Z321/466014-021	Envy
Z322/466014-022	Bonsai
Z323/466014-023	Tar
Z324/466014-024	Anchor
Z325/466014-025	Twilight
Z326/466014-026	Admiral
Z327/466014-027	Seaport
Z328/466014-028	Scuba

Milestone – Maharam	
54" wide	
78% post-industrial recycled polyester	
15% polyester	
7% nylon	
ZML22/403901-022	Pewter
ZML25/403901-025	Charcoal
ZML26/403901-026	Ebony
ZML29/403901-029	Medium Grey
ZML31/403901-031	Ground
ZML46/403901-046	Tortoise
ZML47/403901-047	Rush
ZML54/403901-054	Linger
ZML55/403901-055	Embrace
ZML57/403901-057	Coffee
ZML58/403901-058	Bison
ZML61/403901-061	Tiger Lily
ZML62/403901-062	Aurora
ZML69/403901-069	Lychee *
ZML71/403901-071	Daffodil
ZML72/403901-072	Ecru
ZML77/403901-077	Basil
ZML78/403901-078	Spruce
ZML79/403901-079	Fountain
ZML80/403901-080	Mykonos

\* Color not available on Eames Aluminum Group, Executive Chairs, Upholstered Molded Plywood Chairs, and Sofa Compact.

## Price Category D

Article – Maharam	
54" wide	
100% vinyl	
ZAT08/458600-008	Marina
ZAT13/458600-013	Flume
ZAT14/458600-014	Storm
ZAT15/458600-015	Toast
ZAT19/458600-019	Fleece
ZAT22/458600-022	Stone
ZAT26/458600-026	Mercury
ZAT29/458600-029	Bluegrass
ZAT31/458600-031	Truffle

Mode – Maharam	
54" wide	
80% post-consumer recycled polyester	
20% polyester	
PFOA-Free stain resistant finish	
ZMD01/466337-001	Stroll
ZMD02/466337-002	Intaglio
ZMD03/466337-003	Ominous
ZMD04/466337-004	Machine
ZMD05/466337-005	Talus
ZMD06/466337-006	Marsh
ZMD07/466337-007	Hollow
ZMD08/466337-008	Sycamore
ZMD09/466337-009	Clavicle
ZMD10/466337-010	Billygoat
ZMD11/466337-011	Spindle
ZMD12/466337-012	Lemon
ZMD13/466337-013	Oxeye
ZMD14/466337-014	Henge
ZMD15/466337-015	Goldenrod
ZMD16/466337-016	Cottontail
ZMD17/466337-017	Lioness
ZMD18/466337-018	Oriole
ZMD19/466337-019	Rust

Price category D continued on next page

- Maharam textiles are on assigned lead times [A](#).
- Fabric numbers are listed as Herman Miller fabric number/Maharam fabric number.



# Maharam Textile Colors — Collection Seating

continued

## Price Category D

continued

### Mode continued

ZMD20/466337-020	Carotene
ZMD21/466337-021	Blush
ZMD22/466337-022	Vermilion
ZMD23/466337-023	Alder
ZMD24/466337-024	Kermes
ZMD25/466337-025	Barberry
ZMD26/466337-026	Petal
ZMD27/466337-027	Valley
ZMD28/466337-028	Odyssey
ZMD29/466337-029	Ballpoint
ZMD30/466337-030	Toile
ZMD31/466337-031	Paradise
ZMD32/466337-032	Angelfish
ZMD33/466337-033	Denim
ZMD34/466337-034	Crush
ZMD35/466337-035	Jetty
ZMD36/466337-036	Saltwater
ZMD37/466337-037	Mallard
ZMD38/466337-038	Celtic
ZMD39/466337-039	Eucalyptus
ZMD40/466337-040	Bonsai
ZMD41/466337-041	Sassafras
ZMD42/466337-042	Yucca
ZMD43/466337-043	Lichen

## Price Category E

### Focus - Maharam

57" wide
54% post-industrial recycled polyester
33% polyester
13% post-consumer recycled polyester
ZFS01/465910-001 Ivory *
ZFS02/465910-002 Allow
ZFS04/465910-004 Lichen
ZFS06/465910-006 Sierra
ZFS07/465910-007 Merlot
ZFS08/465910-008 Clove
ZFS09/465910-009 Carbon
ZFS10/465910-010 Regatta
ZFS11/465910-011 Emerald

\* Color not available on Eames Executive Chairs, Upholstered Molded Plywood Chairs, and Sofa Compact.

### Ledger - Maharam

54" wide
100% polyurethane
V9G1/463770-001 001
V9G2/463770-002 002
V9G3/463770-003 003
V9G4/463770-004 004
V9GG/463770-017 017
V9GM/463770-022 022
V9GQ/463770-025 025
V9GS/463770-026 026
V9GU/463770-028 028
V9GV/463770-029 029
V9GW/463770-030 030
V9GX/463770-031 031
V9GY/463770-032 032
V9GZ/463770-033 033
V9G10/463770-034 034
V9G11/463770-035 035

### Ledger continued

V9G12/463770-036 036
V9G13/463770-037 037
V9G14/463770-038 038
V9G15/463770-039 039
V9G16/463770-040 040
V9G17/463770-041 041
V9G18/463770-042 042
V9G19/463770-043 043
V9G20/463770-044 044
V9G21/463770-045 045
V9G22/463770-046 046

### Micro - Maharam

54" wide
100% vinyl
ZMB01/466099-001 Muslin
ZMB04/466099-004 Basalt
ZMB05/466099-005 Wenge
ZMB06/466099-006 Phantom
ZMB07/466099-007 Depth
ZMB08/466099-008 Cottage
ZMB09/466099-009 Hunter
ZMB10/466099-010 Lime
ZMB11/466099-011 Tomatillo
ZMB12/466099-012 Brew
ZMB13/466099-013 Zest
ZMB14/466099-014 Tang
ZMB15/466099-015 Risk

### Skein - Maharam

54" wide
56% post-consumer recycled polyester
44% polyester
Z3201/466170-001 Burrow
Z3204/466170-004 Sumac
Z3205/466170-005 Pomegranate
Z3208/466170-008 Cinder
Z3209/466170-009 Dock
Z3210/466170-010 Cadet
Z3211/466170-011 Marsh

## Price Category F

### Abacus Standard - Maharam

54" wide
54% post-industrial recycled polyester
46% post-consumer recycled polyester
ZAS10/466140-010 Replica *
ZAS11/466140-011 Cellar
ZAS12/466140-012 Extract

\* Color not available on Eames Upholstered Molded Plywood Chairs and Sofa Compact.

### Alloy - Maharam

54" wide
100% polyurethane
ZAY01/466064-001 Chalk *
ZAY02/466064-002 Oat
ZAY03/466064-003 Chamomile
ZAY04/466064-004 Navel
ZAY05/466064-005 Sultry
ZAY06/466064-006 Aubergine
ZAY07/466064-007 Truffle
ZAY08/466064-008 Peat
ZAY09/466064-009 Sapling
ZAY10/466064-010 Peacock
ZAY11/466064-011 Rave
ZAY12/466064-012 Baltic
ZAY13/466064-013 Lapis
ZAY14/466064-014 Indigo
ZAY15/466064-015 Heron
ZAY16/466064-016 Covert
ZAY17/466064-017 Zinc
ZAY18/466064-018 Mercury
ZAY19/466064-019 Flint
ZAY20/466064-020 Carbonite

\* Color not available on Eames Aluminum Group, Executive Chairs, Upholstered Molded Plywood Chairs, and Sofa Compact.

Price category F continued on next page

- Maharam textiles are on assigned lead times A.
- Fabric numbers are listed as Herman Miller fabric number/Maharam fabric number.

# Maharam Textile Colors — Collection Seating

continued

## Price Category F

continued

Appendix: Maharam Textile Colors — Collection Seating

Alter - Maharam	
59" wide	
59% post-industrial recycled polyester	
41% post-consumer recycled polyester	
ZAL01/464880-001	Veil
ZAL02/464880-002	Terra
ZAL03/464880-003	Umbra
ZAL04/464880-004	Illustrate
ZAL05/464880-005	Glen
ZAL06/464880-006	Ore
ZAL07/464880-007	Portray

Bitmap - Maharam	
54" wide	
100% vinyl	
ZBT02/466066-002	Armadillo
ZBT03/466066-003	Sparrow
ZBT05/466066-005	Blacktop
ZBT06/466066-006	Swift
ZBT07/466066-007	Freeze
ZBT08/466066-008	Topple
ZBT09/466066-009	Silt
ZBT10/466066-010	Aloe
ZBT11/466066-011	Copper

Chime - Maharam	
54" wide	
100% vinyl	
V9M3/465350-003	Morel
V9M4/465350-004	Vessel
V9M7/465350-007	Particle
V9MA/465350-010	Peacock
V9MB/465350-011	Tranquil
V9MH/465350-018	Copper
V9MJ/465350-020	Slate
V9ML/465350-022	Eggshell
V9MM/465350-023	Cloud
V9MN/465350-024	Allium
V9MP/465350-025	Ease
V9MQ/465350-026	Slither
V9MR/465350-027	Ancient
V9MS/465350-028	Paramount
V9MT/465350-029	Bug
V9MU/465350-030	Forward
V9MV/465350-031	Verve
V9MW/465350-032	Understory
V9MX/465350-033	Royal

Coincide - Maharam	
54" wide	
100% polyester	
ZCJ01/465808-001	Mist
ZCJ02/465808-002	Drizzle
ZCJ03/465808-003	Cicada
ZCJ04/465808-004	Bungalow
ZCJ05/465808-005	Aurora
ZCJ06/465808-006	Currant
ZCJ07/465808-007	Raisin
ZCJ08/465808-008	Tranquil
ZCJ09/465808-009	Caribbean
ZCJ10/465808-010	Woodland
ZCJ11/465808-011	Acre

Crush - Maharam	
54" wide	
41% solution-dyed post-industrial recycled nylon	
41% solution-dyed nylon	
15% polyester	
3% polyolefin	
VS01/464780-001	001
VS02/464780-002	002
VS05/464780-005	005
VS08/464780-008	008
VS13/464780-013	013
VS16/464780-016	016
VS17/464780-017	017
VS18/464780-018	018
VS19/464780-019	019
VS20/464780-020	020
VS22/464780-022	022
VS23/464780-023	023
VS26/464780-026	026
VS27/464780-027	027

Exchange - Maharam	
58" wide	
58% post-industrial recycled polyester	
42% post-consumer recycled polyester	
ZEE01/466027-001	Cinder
ZEE02/466027-002	Sable
ZEE04/466027-004	Gull
ZEE06/466027-006	Coastline
ZEE07/466027-007	Clay
ZEE08/466027-008	Buck
ZEE10/466027-010	Rhubarb
ZEE11/466027-011	Punch

Minimal - Maharam	
54" wide	
100% polyurethane with silver-based antimicrobial	
ZMF01/466026-001	Cloud *
ZMF02/466026-002	Platinum
ZMF03/466026-003	Shine
ZMF04/466026-004	Gilded
ZMF05/466026-005	Acorn
ZMF06/466026-006	Zest
ZMF07/466026-007	Carnelian
ZMF09/466026-009	Capri
ZMF10/466026-010	Aquamarine
ZMF11/466026-011	Viridian
ZMF12/466026-012	Titanium
ZMF13/466026-013	Coffee
ZMF14/466026-014	Bronze

\* Color not available on Eames Aluminum Group, Executive Chairs, Upholstered Molded Plywood Chairs, and Sofa Compact.

Pitch - Maharam	
54" wide	
100% vinyl	
ZPC01/466186-001	Alpine
ZPC02/466186-002	Cottonseed
ZPC03/466186-003	Sesame
ZPC04/466186-004	Pollen
ZPC05/466186-005	Citron
ZPC06/466186-006	Lime
ZPC07/466186-007	Apple
ZPC08/466186-008	Fairway
ZPC09/466186-009	Chive
ZPC10/466186-010	Ridge
ZPC11/466186-011	Voyage
ZPC12/466186-012	Turquoise
ZPC13/466186-013	Riviera
ZPC14/466186-014	Inlet
ZPC15/466186-015	Captain
ZPC16/466186-016	Aura
ZPC17/466186-017	Coastal

Price category F continued on next page

- Maharam textiles are on assigned lead times [A](#).
- Fabric numbers are listed as Herman Miller fabric number/Maharam fabric number.

# Maharam Textile Colors — Collection Seating

continued

## Price Category F

continued

### Pitch continued

ZPC18/466186-018	Fog
ZPC19/466186-019	Coal
ZPC20/466186-020	Saddle
ZPC21/466186-021	Mulberry
ZPC22/466186-022	Brick
ZPC23/466186-023	Rocket
ZPC24/466186-024	Flame
ZPC25/466186-025	Dijon
ZPC26/466186-026	Tumbleweed
ZPC27/466186-027	Tawny
ZPC28/466186-028	Derby
ZPC29/466186-029	Subtle
ZPC30/466186-030	Buff

### Plait - Maharam

58" wide	
53% post-industrial recycled polyester	
32% polyester	
15% post-consumer recycled polyester	
Z2901/466052-001	Cobblestone
Z2902/466052-002	Sachet
Z2903/466052-003	Mesa
Z2904/466052-004	Tavern
Z2905/466052-005	Sequoia
Z2906/466052-006	Rhubarb
Z2907/466052-007	Sangria
Z2908/466052-008	Reef
Z2909/466052-009	Stormy
Z2910/466052-010	Dapper

### Rove - Maharam

54" wide	
100% solution-dyed polyolefin with silver-based antimicrobial	
ZRV01/466096-001	Rice *
ZRV02/466096-002	Soba
ZRV03/466096-003	Owl
ZRV04/466096-004	Till
ZRV05/466096-005	Dijon
ZRV06/466096-006	Mum
ZRV07/466096-007	Nasturtium
ZRV08/466096-008	Vixen
ZRV09/466096-009	Roast
ZRV10/466096-010	Llama
ZRV11/466096-011	Rind
ZRV12/466096-012	Grackle
ZRV13/466096-013	Indigo
ZRV14/466096-014	Drip
ZRV15/466096-015	Neptunia
ZRV16/466096-016	Pomelo
ZRV17/466096-017	Fairy

\* Color not available on Eames Sofa Compact.

### Runner Standard - Maharam

58" wide	
57% post-industrial recycled polyester	
43% post-consumer recycled polyester	
ZRA07/466167-007	Bluff
ZRA08/466167-008	Arid
ZRA09/466167-009	Grove
ZRA10/466167-010	Starboard
ZRA11/466167-011	Plot
ZRA12/466167-012	Carousel

### Scuba - Maharam

54" wide	
100% polyurethane	
V9B1/464930-001	Vanilla
V9B4/464930-004	Walnut
V9B5/464930-005	Chinchilla
V9B6/464930-006	Mahogany
V9B7/464930-007	Jet
V9B8/464930-008	Charcoal
V9B9/464930-009	Dolphin
V9BA/464930-010	Drizzle
V9BC/464930-012	Conifer
V9BD/464930-013	Bottle
V9BF/464930-015	Tourmaline
V9BG/464930-016	Sapphire
V9BH/464930-017	Electric
V9BJ/464930-018	Fig
V9BL/464930-020	Cabernet
V9BM/464930-021	Brick
V9BN/464930-022	Coral
V9BP/464930-023	Autumn

### Shuttle Standard - Maharam

54" wide	
84% post-industrial recycled polyester	
16% post-consumer recycled polyester	
ZSS16/466168-016	Clam
ZSS17/466168-017	Plateau
ZSS18/466168-018	Shoal

### Steady - Maharam

54" wide	
46% polyester	
35% post-industrial recycled polyester	
19% post-consumer recycled polyester	
ZSG01/465947-001	Cameo
ZSG02/465947-002	Drife
ZSG03/465947-003	Summit
ZSG05/465947-005	Thrive
ZSG06/465947-006	Estuary
ZSG07/465947-007	Aegean
ZSG08/465947-008	Tidal

### Strum - Maharam

54" wide	
100% polyurethane with silane-based antimicrobial	
Z3301/466122-001	Overcast
Z3302/466122-002	Ridge
Z3303/466122-003	Twilight
Z3304/466122-004	Pigeon
Z3305/466122-005	Char
Z3306/466122-006	Cabin
Z3307/466122-007	Bur
Z3308/466122-008	Abalone
Z3309/466122-009	Prawn
Z3310/466122-010	Gourd
Z3311/466122-011	Wheat
Z3312/466122-012	Lemongrass

### Trait - Maharam

54" wide	
50% solution-dyed nylon	
50% solution-dyed post-industrial recycled nylon	
TP01/464830-001	001
TP09/464830-009	009
TP15/464830-015	015
TP16/464830-016	016
TP17/464830-017	017
TP19/464830-019	019
TP20/464830-020	020
TP22/464830-022	022
TP23/464830-023	023

Appendix: Maharam Textile Colors — Collection Seating

- Maharam textiles are on assigned lead times [A](#).
- Fabric numbers are listed as Herman Miller fabric number/Maharam fabric number.

# Maharam Textile Colors – Collection Seating

continued

## Price Category G

Appendix: Maharam Textile Colors – Collection Seating

### Across - Maharam

54" wide	
100% post-consumer recycled polyester	
ZAD01/465964-001	Oat
ZAD02/465964-002	Camel
ZAD03/465964-003	Tobacco
ZAD04/465964-004	Forge
ZAD05/465964-005	Terrace
ZAD06/465964-006	Cloudburst
ZAD07/465964-007	Peacock
ZAD08/465964-008	Schooner
ZAD09/465964-009	Urge
ZAD10/465964-010	Earthen
ZAD11/465964-011	Marmalade

### Akimbo - Maharam

54" wide	
100% solution-dyed nylon	
ZAK01/464770-001	Parchment
ZAK02/464770-002	Bliss
ZAK04/464770-004	Walnut
ZAK05/464770-005	Carnelian
ZAK07/464770-007	Hearth

### Basel – Maharam

55" wide	
90% wool	
10% nylon	
ZB101/466214-121	121
ZB102/466214-123	123
ZB103/466214-126	126
ZB104/466214-127	127
ZB105/466214-129	129
ZB106/466214-181	181
ZB107/466214-183	183
ZB108/466214-186	186
ZB109/466214-187	187
ZB110/466214-189	189

### Canvas – Maharam

55" wide	
90% wool	
10% nylon	
ZC501/466185-114	114 *
ZC502/466185-124	124
ZC503/466185-134	134
ZC504/466185-154	154
ZC505/466185-174	174
ZC506/466185-224	224 *
ZC507/466185-244	244
ZC508/466185-254	254
ZC509/466185-264	264
ZC510/466185-364	364
ZC511/466185-374	374
ZC512/466185-414	414 *
ZC513/466185-424	424
ZC514/466185-454	454
ZC515/466185-614	614 *
ZC516/466185-644	644
ZC517/466185-654	654
ZC518/466185-674	674
ZC519/466185-684	684
ZC520/466185-694	694
ZC521/466185-734	734
ZC522/466185-764	764
ZC523/466185-794	794
ZC524/466185-854	854
ZC525/466185-954	954
ZC526/466185-964	964
ZC527/466185-974	974
ZC528/466185-984	984
ZC529/466185-216	216
ZC530/466185-356	356
ZC531/466185-446	446
ZC532/466185-546	546
ZC533/466185-556	556
ZC534/466185-566	566
ZC535/466185-576	576

\* Color not available on Eames Upholstered Molded Plywood Chairs and Sofa Compact.

### Canvas – Maharam continued

ZC536/466185-666	666
ZC537/466185-716	716
ZC538/466185-726	726
ZC539/466185-746	746
ZC540/466185-786	786
ZC541/466185-836	836
ZC542/466185-926	926
ZC543/466185-936	936
ZC544/466185-946	946
ZC545/466185-996	996

\* Color not available on Eames Upholstered Molded Plywood Chairs and Sofa Compact.

### Chance – Maharam

54" wide	
62% cotton	
33% polyester	
5% rayon	
V9C1/464010-001	Harvest
V9C4/464010-004	Pond
V9C5/464010-005	Pencil
V9C6/464010-006	Bison

### Circuit - Maharam

54" wide	
38% rayon	
34% post-industrial recycled polyester	
28% post-consumer recycled polyester	
ZCU07/466089-007	Radar

### Coincide High Performance- Maharam

54" wide	
100% polyester	
ZCF02/466132-002	Drizzle
ZCF03/466132-003	Cicada
ZCF04/466132-004	Bungalow
ZCF07/466132-007	Raisin
ZCF10/466132-010	Woodland
ZCF11/466132-011	Acre

### Colline – Maharam

55" wide	
75% wool	
17% acrylic	
8% nylon	
ZCQ01/466155-108	108 *
ZCQ02/466155-118	118
ZCQ03/466155-148	148
ZCQ04/466155-188	188
ZCQ05/466155-228	228
ZCQ06/466155-348	348
ZCQ07/466155-448	448
ZCQ08/466155-548	548
ZCQ09/466155-568	568
ZCQ10/466155-668	668
ZCQ11/466155-688	688
ZCQ12/466155-788	788

\* Color not available on Striad Lounge Chair and Ottoman.

### Compound - Maharam

54" wide	
100% polyurethane with silane-based antimicrobial	
ZC201/466196-001	Quartz
ZC202/466196-002	Mirage
ZC203/466196-003	Weathered
ZC204/466196-004	Cliff
ZC205/466196-005	Espresso
ZC206/466196-006	Smolder
ZC207/466196-007	Blaze
ZC208/466196-008	Mandarin
ZC209/466196-009	Maple
ZC210/466196-010	Perennial
ZC211/466196-011	Mountainside
ZC212/466196-012	Tundra
ZC213/466196-013	Manatee
ZC214/466196-014	Marine
ZC215/466196-015	Twilight
ZC216/466196-016	Shelter
ZC217/466196-017	Vessel
ZC218/466196-018	Smoke
ZC219/466196-019	Fog

Price category G continued on next page

- Maharam textiles are on assigned lead times [A](#).
- Fabric numbers are listed as Herman Miller fabric number/Maharam fabric number.

# Maharam Textile Colors — Collection Seating

continued

## Price Category G

continued

Crew - Maharam	
54" wide	
100% polyester	
ZCZ01/466149-001	Guide
ZCZ02/466149-002	Pike
ZCZ03/466149-003	Dock
ZCZ04/466149-004	Topiary
ZCZ05/466149-005	Hosta
ZCZ06/466149-006	Cork
ZCZ07/466149-007	Cinnamon
ZCZ08/466149-008	Stern
ZCZ09/466149-009	Soak
ZCZ10/466149-010	Jam
ZCZ11/466149-011	Impulse

Dart - Maharam	
54" wide	
63% polyester	
37% cotton	
T104/464040-004	Bartlett
T105/464040-005	Desert
T106/464040-006	Beeswax
T107/464040-007	Fiesta
T111/464040-011	Bittersweet
T114/464040-014	Cajole
T116/464040-016	Nightshade
T117/464040-017	Scribe
T118/464040-018	Shale
T119/464040-019	Masala
T120/464040-020	Ardor
T121/464040-021	Cinnamon
T122/464040-022	Maize
T123/464040-023	Wade
T124/464040-024	Flood

Decode – Maharam	
54" wide	
50% solution-dyed nylon	
50% solution-dyed post-industrial recycled nylon	
VA06/464800-006	006
VA07/464800-007	007
VA12/464800-012	012
VA13/464800-013	013
VA14/464800-014	014
VA15/464800-015	015
VA17/464800-017	017

Disperse - Maharam	
53" wide	
100% post-consumer recycled polyester	
ZDP02/466017-002	Sky
ZDP03/466017-003	Chalk
ZDP05/466017-005	Lime
ZDP06/466017-006	Mediterranean
ZDP07/466017-007	Cornflower
ZDP09/466017-009	Ember
ZDP10/466017-010	Carnelian
ZDP13/466017-013	Midnight

Divina Melange — Maharam	
59" wide	
100% wool	
TG01/460830-120	120
TG02/460830-170	170
TG03/460830-180	180
TG04/460830-220	220
TG05/460830-260	260
TG06/460830-280	280
TG07/460830-871	871
TG08/460830-821	821
TG09/460830-771	771
TG10/460830-721	721
TG11/460830-731	731
TG12/460830-681	681
TG13/460830-631	631
TG15/460830-671	671
TG16/460830-581	581
TG17/460830-531	531
TG18/460830-521	521
TG19/460830-571	571
TG20/460830-421	421
TG21/460830-471	471
TG22/460830-931	931
TG24/460830-971	971
TG25/460830-920	920
TG26/460830-620	620

Drape - Maharam	
54" wide	
100% vinyl	
ZDE01/466145-001	Chalk
ZDE02/466145-002	Rail
ZDE03/466145-003	Terminal
ZDE04/466145-004	Cog
ZDE05/466145-005	Alert
ZDE06/466145-006	Pallet
ZDE07/466145-007	Flag
ZDE08/466145-008	Carrier
ZDE10/466145-010	Cargo

Floret - Maharam	
54" wide	
100% polyester	
ZFE01/464070-001	Venice
ZFE03/464070-003	Cedar
ZFE05/464070-005	Amaranth
ZFE06/464070-006	Offshore
ZFE08/464070-008	Arabica
ZFE09/464070-009	Midnight

Fluent Crypton - Maharam	
54" wide	
52% polyester	
31% post-industrial recycled polyester	
17% post-consumer recycled polyester	
ZFC01/466073-001	Lynx
ZFC02/466073-002	Burlap
ZFC04/466073-004	Rum
ZFC08/466073-008	Bittersweet
ZFC09/466073-009	Mulch
ZFC12/466073-012	Bayou
ZFC13/466073-013	Bottle
ZFC14/466073-014	Cadet
ZFC15/466073-015	Formal
ZFC16/466073-016	Gentle
ZFC17/466073-017	Cub
ZFC18/466073-018	Patch
ZFC19/466073-019	Bounce
ZFC20/466073-020	Aubergine
ZFC21/466073-021	Bedrock
ZFC22/466073-022	Turf
ZFC23/466073-023	Cobalt
ZFC24/466073-024	Steady

Price category G continued on next page

Appendix: Maharam Textile Colors — Collection Seating

- Maharam textiles are on assigned lead times <sup>A</sup>.
- Fabric numbers are listed as Herman Miller fabric number/Maharam fabric number.

# Maharam Textile Colors – Collection Seating

continued

## Price Category G

continued

Appendix: Maharam Textile Colors – Collection Seating

### Kindred - Maharam

54" wide
90% polyester
10% rayon
ZKN01/466166-001 Mason
ZKN02/466166-002 Cove
ZKN03/466166-003 Fresh
ZKN04/466166-004 Glen
ZKN05/466166-005 Heirloom
ZKN06/466166-006 Chestnut
ZKN07/466166-007 Chiminea

### Mimic - Maharam

54" wide
100% polyurethane with silane-based antimicrobial
ZMM01/466136-001 Cloud *
ZMM02/466136-002 Enamel
ZMM03/466136-003 Almond
ZMM04/466136-004 Cement
ZMM05/466136-005 Clay
ZMM06/466136-006 Suntan
ZMM07/466136-007 Totem
ZMM08/466136-008 Castanet
ZMM09/466136-009 Panther
ZMM10/466136-010 Umбра
ZMM11/466136-011 Ultramarine
ZMM12/466136-012 Reservoir
ZMM13/466136-013 Iguana
ZMM14/466136-014 Goldenrod
ZMM15/466136-015 Chutney
ZMM16/466136-016 Laser

\* Color not available on Eames Aluminum Group, Executive Chairs, Upholstered Molded Plywood Chairs, and Sofa Compact.

### Mortise - Maharam

54" wide
45% polyester
36% post-industrial recycled polyester
19% post-consumer recycled polyester
Crypton Green
ZMR01/466213-001 001
ZMR02/466213-002 002
ZMR03/466213-003 003
ZMR04/466213-004 004
ZMR05/466213-005 005
ZMR06/466213-006 006
ZMR07/466213-007 007

### Omen - Maharam

54" wide
75% polyester
16% post-industrial recycled polyester
9% post-consumer recycled polyester
ZQM07/466172-007 Glacier
ZQM09/466172-009 Wade
ZQM11/466172-011 Silt

### Paver - Maharam

54" wide
100% solution-dyed polyolefin with silver-based antimicrobial
ZPV02/466111-002 Billow
ZPV12/466111-012 Channel
ZPV13/466111-013 Pontoon

### Remix - Maharam

54" wide
90% wool
10% nylon
V2601/465956-113 113
V2602/465956-123 123
V2603/465956-133 133
V2604/465956-143 143
V2605/465956-152 152
V2606/465956-163 163

### Remix continued

V2607/465956-173 173
V2608/465956-183 183
V2609/465956-223 223
V2610/465956-233 233
V2611/465956-242 242
V2612/465956-252 252
V2613/465956-362 362
V2614/465956-373 373
V2615/465956-383 383
V2616/465956-393 393
V2617/465956-412 412
V2618/465956-422 422
V2619/465956-433 433
V2620/465956-443 443
V2621/465956-452 452
V2622/465956-543 543
V2623/465956-612 612
V2624/465956-632 632
V2625/465956-643 643
V2626/465956-653 653
V2627/465956-662 662
V2628/465956-672 672
V2629/465956-682 682
V2630/465956-692 692
V2631/465956-722 722
V2632/465956-733 733
V2633/465956-743 743
V2634/465956-753 753
V2635/465956-762 762
V2636/465956-773 773
V2637/465956-783 783
V2638/465956-823 823
V2639/465956-842 842
V2640/465956-852 852
V2641/465956-873 873
V2642/465956-912 912
V2643/465956-923 923
V2644/465956-933 933
V2645/465956-942 942
V2646/465956-962 962
V2647/465956-973 973
V2648/465956-982 982
V2649/465956-954 954

### Rise - Maharam

54" wide
100% vinyl
ZRB01/466146-001 Fig
ZRB02/466146-002 Cement
ZRB07/466146-007 Nordic
ZRB09/466146-009 Ultra
ZRB10/466146-010 Electric

### Runner - Maharam

54" wide
57% post-industrial recycled polyester
43% post-consumer recycled polyester
ZRF01/466108-001 Bluff
ZRF02/466108-002 Arid
ZRF03/466108-003 Grove
ZRF04/466108-004 Starboard
ZRF05/466108-005 Plot
ZRF06/466108-006 Carousel

### Sequence - Maharam

54" wide
100% solution-dyed polyolefin with silver-based antimicrobial
Z3101/466179-001 Driftwood
Z3102/466179-002 Boardwalk
Z3104/466179-004 Alfresco
Z3105/466179-005 Plunge
Z3106/466179-006 Starboard
Z3107/466179-007 Veranda
Z3108/466179-008 Lodge
Z3109/466179-009 Flare

Price category G continued on next page

- Maharam textiles are on assigned lead times [A](#).
- Fabric numbers are listed as Herman Miller fabric number/Maharam fabric number.

# Maharam Textile Colors — Collection Seating

continued

## Price Category G

continued

### Steady Crypton - Maharam

54" wide	
46% polyester	
35% post-industrial recycled polyester	
19% post-consumer recycled polyester	
V9E1/465946-001	Cameo
V9E2/465946-002	Drift
V9E4/465946-004	Bison
V9E5/465946-005	Thrive
V9E6/465946-006	Estuary
V9E7/465946-007	Aegean
V9E8/465946-008	Tidal
V9E9/465946-009	Acre
V9EA/465946-010	Marigold
V9EB/465946-011	Rhubarb
V9EC/465946-012	Brick

### Steelcut – Maharam

55" wide	
90% wool	
10% nylon	
ZSE01/464470-110	110 *
ZSE02/464470-120	120
ZSE03/464470-135	135
ZSE04/464470-140	140
ZSE05/464470-155	155
ZSE06/464470-160	160
ZSE07/464470-180	180
ZSE08/464470-190	190
ZSE09/464470-220	220
ZSE10/464470-240	240
ZSE11/464470-255	255
ZSE12/464470-265	265
ZSE13/464470-365	365
ZSE14/464470-370	370
ZSE15/464470-380	380
ZSE16/464470-435	435
ZSE17/464470-445	445 *
ZSE18/464470-535	535
ZSE19/464470-545	545
ZSE20/464470-550	550

### Steelcut continued

ZSE21/464470-605	605
ZSE22/464470-615	615
ZSE23/464470-625	625
ZSE24/464470-635	635
ZSE25/464470-655	655
ZSE26/464470-660	660
ZSE27/464470-685	685
ZSE28/464470-695	695
ZSE29/464470-760	760
ZSE30/464470-775	775
ZSE31/464470-780	780
ZSE32/464470-820	820
ZSE33/464470-835	835
ZSE34/464470-935	935
ZSE35/464470-950	950
ZSE36/464470-975	975
ZSE37/464470-985	985

\* Color not available on Eames Executive Chairs, Upholstered Molded Plywood Chairs, and Sofa Compact.

### Steelcut Trio – Maharam

55" wide	
90% wool	
10% nylon	
V2501/465906-105	105 * **
V2502/465906-113	113
V2503/465906-124	124
V2504/465906-133	133 *
V2506/465906-153	153
V2507/465906-195	195
V2508/465906-205	205 **
V2509/465906-213	213 *
V2513/465906-253	253
V2514/465906-283	283
V2518/465906-383	383
V2523/465906-453	453
V2525/465906-515	515 *
V2526/465906-533	533

### Steelcut Trio continued

V2527/465906-553	553 *
V2529/465906-645	645
V2534/465906-713	713
V2542/465906-865	865
V2543/465906-883	883
V2544/465906-915	915 *
V2545/465906-933	933
V2546/465906-945	945
V2547/465906-953	953
V2548/465906-965	965
V2549/465906-983	983
V2550/465906-176	176
V2551/465906-226	226
V2552/465906-236	236
V2553/465906-246	246
V2554/465906-266	266
V2555/465906-276	276
V2556/465906-336	336
V2557/465906-376	376
V2558/465906-416	416
V2559/465906-426	426
V2560/465906-436	436
V2561/465906-446	446
V2562/465906-466	466
V2563/465906-476	476
V2564/465906-506	506
V2565/465906-526	526
V2566/465906-576	576
V2567/465906-616	616
V2568/465906-636	636
V2569/465906-666	666
V2570/465906-686	686
V2571/465906-716	716
V2572/465906-746	746
V2573/465906-756	756
V2574/465906-776	776
V2575/465906-796	796
V2576/465906-806	806
V2577/465906-906	906
V2578/465906-916	916

### Steelcut Trio continued

V2579/465906-946	946
V2580/465906-966	966
V2581/465906-976	976
V2582/465906-996	996

\* Colors available on Bevel Sofa and Bolster Sofa.

\*\* Colors not available on Eames Molded Fiberglass Chairs Upholstered Seat Pad, Eames Molded Plastic Chairs Upholstered Seat Pad, and Eames Wire Chair Upholstered Seat Pad.

### Sudden – Maharam

54" wide	
100% polyurethane	
ZSD02/463000-002	002
ZSD03/463000-003	003
ZSD05/463000-005	005
ZSD06/463000-006	006
ZSD07/463000-007	007
ZSD08/463000-008	008
ZSD09/463000-009	009
ZSD10/463000-010	010
ZSD11/463000-011	011
ZSD13/463000-013	013
ZSD15/463000-015	015
ZSD16/463000-016	016
ZSD17/463000-017	017
ZSD18/463000-018	018
ZSD19/463000-019	019
ZSD20/463000-020	020
ZSD24/463000-024	024
ZSD27/463000-027	027
ZSD29/463000-029	029
ZSD30/463000-030	030
ZSD36/463000-036	036

Price category G continued on next page

- Maharam textiles are on assigned lead times [A].
- Fabric numbers are listed as Herman Miller fabric number/Maharam fabric number.

# Maharam Textile Colors – Collection Seating

continued

## Price Category G

continued

Tilt - Maharam	
55" wide	
56% cotton	
35% polyester	
9% rayon	
ZTT01/466256-001	001
ZTT02/466256-002	002
ZTT03/466256-003	003
ZTT04/466256-004	004
ZTT05/466256-005	005
ZTT06/466256-006	006
ZTT07/466256-007	007
ZTT08/466256-008	008

Tonica – Maharam	
55" wide	
100% wool	
ZTC01/460850-111	111
ZTC02/460850-131	131
ZTC03/460850-132	132
ZTC04/460850-171	171
ZTC05/460850-182	182
ZTC06/460850-192	192
ZTC07/460850-221	221
ZTC08/460850-231	231
ZTC09/460850-272	272
ZTC10/460850-411	411
ZTC11/460850-412	412
ZTC12/460850-511	511
ZTC13/460850-512	512
ZTC14/460850-531	531
ZTC15/460850-532	532
ZTC16/460850-611	611
ZTC17/460850-612	612
ZTC18/460850-631	631
ZTC19/460850-632	632
ZTC20/460850-671	671
ZTC21/460850-672	672
ZTC22/460850-731	731
ZTC23/460850-732	732

Tonica continued	
ZTC24/460850-751	751
ZTC25/460850-752	752
ZTC26/460850-761	761
ZTC27/460850-762	762
ZTC28/460850-791	791
ZTC29/460850-792	792
ZTC30/460850-811	811
ZTC31/460850-812	812
ZTC32/460850-831	831
ZTC33/460850-832	832
ZTC34/460850-961	961
ZTC35/460850-962	962

Urban - Maharam	
54" wide	
90% polyester	
10% rayon	
ZUR01/466079-001	Sketch
ZUR02/466079-002	Minnow
ZUR03/466079-003	Cremini
ZUR05/466079-005	Hearth
ZUR06/466079-006	Pool
ZUR07/466079-007	Marsh

Vestige - Maharam	
54" wide	
71% polyester	
29% rayon	
ZVT01/466259-001	001
ZVT02/466259-002	002
ZVT03/466259-003	003
ZVT04/466259-004	004
ZVT05/466259-005	005
ZVT06/466259-006	006
ZVT07/466259-007	007
ZVT08/466259-008	008
ZVT09/466259-009	009
ZVT10/466259-010	010

## Price Category H

Abacus - Maharam	
54" wide	
54% post-industrial recycled polyester	
46% post-consumer recycled polyester	
ZAC01/466118-001	Replica *
ZAC02/466118-002	Canoe
ZAC03/466118-003	Cellar
ZAC04/466118-004	Restore
ZAC05/466118-005	Sprig
ZAC06/466118-006	Distill
ZAC07/466118-007	Festive
ZAC08/466118-008	Extract
ZAC09/466118-009	Silhouette

\* Color not available on Eames Executive Chairs, Upholstered Molded Plywood Chairs, and Sofa Compact.

Anagram - Maharam	
54" wide	
42% cotton	
32% polyester	
26% nylon	
ZAN01/466067-001	Quarry
ZAN02/466067-002	Hush
ZAN03/466067-003	Electric
ZAN04/466067-004	Range
ZAN05/466067-005	Settle

Beam - Maharam	
54" wide	
58% polyester	
42% rayon	
ZBM07/466119-007	Brook
ZBM10/466119-010	Simmer

Blip - Maharam	
54" wide	
44% rayon	
24% nylon	
21% post-industrial recycled polyester	
11% post-consumer recycled polyester	
ZBG01/466129-001	Miner
ZBG04/466129-004	Tank
ZBG05/466129-005	Cove
ZBG06/466129-006	Coal
ZBG07/466129-007	Robust
ZBG08/466129-008	Siege

Chenille Cord - Maharam	
54" wide	
43% solution-dyed post-industrial recycled nylon	
42% solution-dyed nylon	
13% polyester	
2% polyolefin	
ZCC04/407808-004	004
ZCC06/407808-006	006
ZCC10/407808-010	010
ZCC18/407808-018	018
ZCC30/407808-030	030
ZCC32/407808-032	032
ZCC34/407808-034	034
ZCC35/407808-035	035
ZCC36/407808-036	036

Circles — Maharam	
55" wide	
70% cotton	
30% polyester	
ZT01/458310-001	Khaki
ZT02/458310-002	Fatigue
ZT03/458310-003	Document
ZT04/458310-004	Engine

Price category H continued on next page

- Maharam textiles are on assigned lead times [A](#).
- Fabric numbers are listed as Herman Miller fabric number/Maharam fabric number.



# Maharam Textile Colors — Collection Seating

continued

## Price Category H

continued

Crosspatch — Maharam	
54" wide	
75% rayon	
25% polyester	
ZS01/458920-001	Song
ZS02/458920-002	Fresh
ZS04/458920-004	Document
ZS06/458920-006	Circus
ZS08/458920-008	Grounded

Ditto — Maharam	
54" wide	
77% post-industrial recycled polyester	
23% solution-dyed nylon	
Z2D1/465993-001	Nacre
Z2D2/465993-002	Shadow
Z2D3/465993-003	Saddle
Z2D9/465993-009	Fern
Z2DA/465993-010	Fountain
Z2DC/465993-012	Iron
Z2DD/465993-013	Driftwood

Divina — Maharam	
59" wide	
100% wool	
TF01/460730-154	154
TF03/460730-171	171
TF04/460730-173	173
TF05/460730-181	181
TF06/460730-191	191
TF08/460730-224	224
TF10/460730-236	236
TF13/460730-246	246
TF14/460730-334	334
TF16/460730-346	346
TF17/460730-356	356
TF18/460730-376	376
TF19/460730-384	384
TF20/460730-393	393
TF22/460730-426	426
TF23/460730-444	444
TF25/460730-462	462
TF26/460730-526	526
TF27/460730-536	536

Divina continued	
TF29/460730-542	542
TF30/460730-552	552
TF31/460730-562	562
TF33/460730-584	584
TF37/460730-623	623
TF41/460730-626	626
TF42/460730-636	636
TF43/460730-652	652
TF47/460730-662	662
TF49/460730-666	666
TF51/460730-671	671
TF53/460730-676	676
TF55/460730-684	684
TF56/460730-686	686
TF57/460730-691	691
TF58/460730-692	692
TF69/460730-696	696
TF70/460730-756	756
TF71/460730-826	826
TF72/460730-836	836
TF73/460730-846	846
TF74/460730-856	856
TF75/460730-876	876
TF76/460730-886	886
TF77/460730-936	936
TF78/460730-956	956
TF79/460730-966	966

Divina MD - Maharam	
59" wide	
100% wool	
Z2301/466150-193	193
Z2302/466150-203	203
Z2303/466150-213	213
Z2304/466150-293	293
Z2305/466150-343	343
Z2306/466150-353	353
Z2307/466150-363	363
Z2308/466150-413	413
Z2309/466150-433	433
Z2310/466150-453	453
Z2311/466150-613	613
Z2312/466150-633	633
Z2313/466150-653	653

Divina MD continued	
Z2314/466150-673	673
Z2315/466150-683	683
Z2316/466150-713	713
Z2317/466150-733	733
Z2318/466150-743	743
Z2319/466150-753	753
Z2320/466150-773	773
Z2321/466150-783	783
Z2322/466150-813	813
Z2323/466150-843	843
Z2324/466150-873	873
Z2325/466150-913	913
Z2326/466150-943	943
Z2327/466150-973	973

Dot Pattern — Maharam	
55" wide	
71% cotton	
29% polyester	
ZK01/458300-001	Document
ZK02/458300-002	Taupe
ZK04/458300-004	Red
ZK05/458300-005	Navy

Fasten — Maharam	
54" wide	
39% cotton	
39% rayon	
22% solution-dyed nylon	
ZFN05/466053-005	Canyon
ZFN08/466053-008	Monsoon

Hallingdal - Maharam	
51" wide	
70% wool	
30% rayon	
Z2401/460760-100	100 *
Z2402/460760-103	103
Z2403/460760-110	110 *
Z2404/460760-113	113
Z2405/460760-116	116
Z2406/460760-123	123
Z2407/460760-126	126
Z2408/460760-130	130
Z2409/460760-143	143 *
Z2410/460760-153	153 *
Z2411/460760-166	166 *
Z2412/460760-173	173
Z2413/460760-180	180 *
Z2414/460760-190	190
Z2415/460760-200	200
Z2416/460760-220	220 *
Z2417/460760-224	224
Z2418/460760-227	227
Z2419/460760-270	270
Z2420/460760-350	350 *
Z2421/460760-368	368 *
Z2422/460760-370	370
Z2423/460760-376	376
Z2424/460760-390	390
Z2425/460760-407	407
Z2426/460760-420	420
Z2427/460760-457	457
Z2428/460760-526	526
Z2429/460760-547	547
Z2430/460760-563	563
Z2431/460760-573	573
Z2432/460760-590	590 *
Z2433/460760-596	596
Z2434/460760-600	600 *

Price category H continued on next page

- Maharam textiles are on assigned lead times [A](#).
- Fabric numbers are listed as Herman Miller fabric number/Maharam fabric number.

# Maharam Textile Colors – Collection Seating

continued

## Price Category H

continued

Hallingdal continued	
Z2435/460760-657	657
Z2436/460760-660	660
Z2437/460760-674	674
Z2438/460760-680	680
Z2439/460760-687	687
Z2440/460760-694	694
Z2441/460760-702	702
Z2442/460760-723	723
Z2443/460760-733	733
Z2444/460760-750	750
Z2445/460760-753	753
Z2446/460760-754	754
Z2447/460760-763	763
Z2448/460760-764	764 *
Z2449/460760-773	773
Z2450/460760-810	810 *
Z2451/460760-840	840 *
Z2452/460760-850	850
Z2453/460760-890	890
Z2454/460760-907	907
Z2455/460760-944	944
Z2456/460760-960	960
Z2457/460760-968	968
Z2458/460760-980	980

\* Colors available on Bevel Sofa and Bolster Sofa.

Helix - Maharam	
54" wide	
54% polyester	
24% solution-dyed nylon	
22% rayon	
ZKX01/466271-001	001
ZKX02/466271-002	002
ZKX03/466271-003	003
ZKX04/466271-004	004
ZKX06/466271-006	006

Mechanism – Maharam	
54" wide	
100% polyester	
ZMC01/465952-001	Mercury
ZMC03/465952-003	Frenzy
ZMC10/465952-010	Pearl
ZMC11/465952-011	Bronze
ZMC13/465952-013	Titanium
ZMC14/465952-014	Smoke
ZMC15/465952-015	Tangerine
ZMC16/465952-016	Glow
ZMC17/465952-017	Sprout
ZMC18/465952-018	Aqua
ZMC19/465952-019	Sapphire

Mister – Maharam	
54" wide	
67% solution-dyed acrylic	
33% solution-dyed polyester	
ZMG01/466178-001	Breeze
ZMG02/466178-002	Meander
ZMG03/466178-003	Cricket
ZMG04/466178-004	Enliven
ZMG05/466178-005	Notice
ZMG06/466178-006	Azurite

Octave – Maharam	
54" wide	
65% solution-dyed acrylic	
35% solution-dyed polyester	
ZQT01/466116-001	Crisp
ZQT02/466116-002	Froth
ZQT03/466116-003	Beacon
ZQT04/466116-004	Ignite
ZQT06/466116-006	Theater
ZQT07/466116-007	Scenery
ZQT08/466116-008	Elope
ZQT09/466116-009	Spry
ZQT11/466116-011	Navigate

Offset – Maharam	
54" wide	
40% cotton	
36% nylon	
24% wool	
ZQF01/465951-001	Passage
ZQF02/465951-002	Fieldstone
ZQF03/465951-003	Coast
ZQF04/465951-004	Esplanade
ZQF05/465951-005	Oasis
ZQF06/465951-006	Spice
ZQF07/465951-007	Bloom

Outback - Maharam	
55" wide	
80% wool	
20% nylon	
ZQB01/466061-111	111
ZQB02/466061-121	121
ZQB03/466061-141	141
ZQB04/466061-151	151
ZQB05/466061-191	191
ZQB06/466061-221	221
ZQB07/466061-231	231
ZQB08/466061-241	241
ZQB09/466061-331	331
ZQB10/466061-351	351
ZQB11/466061-381	381
ZQB12/466061-451	451
ZQB13/466061-641	641
ZQB14/466061-671	671
ZQB15/466061-781	781
ZQB16/466061-851	851
ZQB17/466061-861	861
ZQB18/466061-941	941
ZQB19/466061-951	951
ZQB20/466061-961	961

Regatta – Maharam	
54" wide	
65% solution-dyed acrylic	
35% solution-dyed polyester	
ZRT01/466189-001	Drift
ZRT02/466189-002	Parasol
ZRT03/466189-003	Shoreline
ZRT04/466189-004	Swell
ZRT05/466189-005	Cliff

Rule – Maharam	
54" wide	
67% solution-dyed acrylic	
33% solution-dyed polyester	
ZRU02/466190-002	Sail
ZRU03/466190-003	Refresh
ZRU04/466190-004	Spring
ZRU05/466190-005	Burst
ZRU06/466190-006	Pepper
ZRU07/466190-007	Dock
ZRU08/466190-008	Night sky

Salon – Maharam	
54" wide	
92% wool	
8% nylon	
ZSL06/458670-006	Shade
ZSL09/458670-009	Brazen
ZSL11/458670-011	Tempest
ZSL14/458670-014	Path
ZSL16/458670-016	Spruce
ZSL18/458670-018	Island
ZSL21/458670-021	Fog
ZSL22/458670-022	Fieldstone
ZSL23/458670-023	Mulberry
ZSL24/458670-024	Terracotta

Price category H continued on next page

- Maharam textiles are on assigned lead times [A](#).
- Fabric numbers are listed as Herman Miller fabric number/Maharam fabric number.

# Maharam Textile Colors — Collection Seating

continued

## Price Category H

continued

### Small Dot Pattern — Maharam

55" wide	
71% cotton	
29% polyester	
ZL01/458320-001	Document
ZL02/458320-002	Sand
ZL03/458320-003	Khaki
ZL04/458320-004	Taupe
ZL05/458320-005	Charcoal
ZL06/458320-006	Document
	Reverse
ZL07/458320-007	Red
ZL08/458320-008	Yellow
ZL09/458320-009	Green

### Star - Maharam

55" wide	
100% trevira cs polyester	
ZST01/465966-117	117 *
ZST03/465966-177	177
ZST04/465966-197	197
ZST05/465966-237	237
ZST07/465966-357	357
ZST08/465966-367	367
ZST13/465966-547	547
ZST17/465966-667	667
ZST18/465966-687	687
ZST21/465966-757	757
ZST23/465966-787	787
ZST26/465966-947	947
ZST28/465966-222	222
ZST29/465966-442	442
ZST30/465966-452	452
ZST31/465966-622	622
ZST32/465966-642	642
ZST33/465966-692	692
ZST34/465966-742	742
ZST35/465966-932	932

### Tonus - Maharam

51" wide	
90% wool	
10% helanka	
ZTN01/460800-100	100
ZTN03/460800-109	109
ZTN05/460800-118	118
ZTN10/460800-125	125
ZTN13/460800-128	128
ZTN14/460800-129	129
ZTN15/460800-130	130
ZTN16/460800-131	131
ZTN17/460800-132	132
ZTN19/460800-135	135
ZTN21/460800-207	207
ZTN23/460800-210	210
ZTN26/460800-216	216
ZTN27/460800-240	240
ZTN29/460800-440	440
ZTN32/460800-508	508
ZTN34/460800-605	605
ZTN35/460800-608	608
ZTN36/460800-609	609
ZTN37/460800-610	610
ZTN38/460800-613	613
ZTN40/460800-615	615
ZTN41/460800-619	619
ZTN51/460800-631	631

### Tonus continued

ZTN54/460800-634	634
ZTN56/460800-636	636
ZTN59/460800-690	690
ZTN62/460800-840	840
ZTN63/460800-940	940
ZTN65/460800-224	224
ZTN66/460800-244	244
ZTN67/460800-364	364
ZTN68/460800-374	374
ZTN69/460800-394	394
ZTN70/460800-424	424
ZTN71/460800-454	454
ZTN72/460800-464	464
ZTN73/460800-474	474
ZTN74/460800-554	554
ZTN75/460800-654	654
ZTN76/460800-664	664
ZTN77/460800-684	684
ZTN78/460800-754	754
ZTN79/460800-764	764
ZTN80/460800-854	854
ZTN81/460800-914	914
ZTN82/460800-934	934
ZTN83/460800-954	954
ZTN84/460800-964	964
ZTN85/460800-974	974

## Price Category I

### Centric — Maharam

54" wide	
34% rayon	
33% cotton	
33% polyester	
ZCT02/466056-002	Lead
ZCT04/466056-004	Claret
ZCT07/466056-007	Splendor

### Colorwheel — Maharam

54" wide	
62% cotton	
38% solution-dyed	
post-industrial recycled nylon	
ZCW02/466163-002	Pumice
ZCW03/466163-003	Viridian
ZCW06/466163-006	Charcoal
ZCW07/466163-007	Carbon

### Garden — Maharam

54" wide	
39% solution-dyed	
post-industrial recycled nylon	
31% rayon	
30% cotton	
ZGN01/466134-001	Oat/Shell
ZGN03/466134-003	Pumice/Cay
ZGN04/466134-004	Fir/Moss
ZGN06/466134-006	Iron/Mineral
ZGN07/466134-007	Raven/Graphite

Price category I continued on next page

\* Color not available on Eames Sofa Compact.

- Maharam textiles are on assigned lead times [A](#).
- Fabric numbers are listed as Herman Miller fabric number/Maharam fabric number.

# Maharam Textile Colors – Collection Seating

continued

## Price Category I

continued

Appendix: Maharam Textile Colors – Collection Seating

Highfield - Maharam	
55" wide	
100% trevira cs polyester	
ZKF01/465957-141	141
ZKF02/465957-181	181
ZKF03/465957-191	191
ZKF04/465957-214	214
ZKF05/465957-231	231
ZKF06/465957-241	241
ZKF07/465957-371	371
ZKF08/465957-444	444
ZKF09/465957-454	454
ZKF10/465957-634	634
ZKF11/465957-651	651
ZKF12/465957-674	674
ZKF13/465957-724	724
ZKF14/465957-734	734
ZKF15/465957-744	744
ZKF16/465957-781	781
ZKF17/465957-834	834
ZKF18/465957-864	864

Study - Maharam	
54" wide	
73% solution-dyed acrylic	
27% solution-dyed polyester	
ZSY01/466269-001	001
ZSY02/466269-002	002
ZSY03/466269-003	003
ZSY04/466269-004	004
ZSY05/466269-005	005

Trio – Maharam	
54" wide	
50% cotton	
50% polyester	
ZTJ03/466088-003	Fatigue
ZTJ04/466088-004	Ore
ZTJ05/466088-005	Ink
ZTJ06/466088-006	Sable

Vases – Maharam	
54" wide	
62% cotton	
38% solution dyed	
post-industrial recycled nylon	
ZVS01/466164-001	Berry
ZVS02/466164-002	Citrus
ZVS03/466164-003	Sprout
ZVS04/466164-004	Goldenrod

Vineyard – Maharam	
54" wide	
39% solution-dyed	
post-industrial recycled nylon	
31% rayon	
30% cotton	
ZVY01/466133-001	Taro
ZVY02/466133-002	Arbor
ZVY03/466133-003	Cay
ZVY04/466133-004	Smoke
ZVY07/466133-007	Mahogany
ZVY08/466133-008	Pitch

Voyage – Maharam	
54" wide	
100% wool	
ZVG05/456801-005	Maize
ZVG12/456801-012	Stone
ZVG25/456801-025	Briar
ZVG26/456801-026	Harvest
ZVG27/456801-027	Currant
ZVG28/456801-028	Twilight
ZVG30/456801-030	Lake
ZVG33/456801-033	Clover
ZVG34/456801-034	Thicket
ZVG36/456801-036	Chinchilla
ZVG37/456801-037	Parcel

## Price Category J

Coach Cloth – Maharam	
54" wide	
100% wool	
ZCL08/458950-008	Dusk
ZCL09/458950-009	Mars
ZCL15/458950-015	Savile
ZCL17/458950-017	Llama
ZCL19/458950-019	Graphite
ZCL20/458950-020	Bittersweet

Design 9297 – Maharam	
55" wide	
51% cotton	
45% rayon	
4% polyester	
ZDD02/465230-002	Olive
ZDD03/465230-003	Lake
ZDD04/465230-004	Ocher
ZDD05/465230-005	Scarlet
ZDD06/465230-006	Magenta
ZDD07/465230-007	Peacock
ZDD08/465230-008	Umbra

Fluted Silk – Maharam	
54" wide	
85% silk	
8% cotton	
7% acrylic	
ZFK02/465982-002	Tarnish
ZFK04/465982-004	Virtue
ZFK05/465982-005	Calm
ZFK06/465982-006	Flaxen
ZFK08/465982-008	Merry
ZFK10/465982-010	Noticed
ZFK11/465982-011	Moody
ZFK12/465982-012	Constant
ZFK13/465982-013	Seed
ZFK14/465982-014	Eternal
ZFK15/465982-015	Honor
ZFK16/465982-016	Winkle
ZFK17/465982-017	Cranach
ZFK19/465982-019	Faint
ZFK20/465982-020	Discreet

Melange Tweed – Maharam	
54" wide	
100% wool	
ZMT02/461190-002	Bramble
ZMT03/461190-003	Tweed
ZMT04/461190-004	Inca
ZMT05/461190-005	Saffron
ZMT06/461190-006	Summer

Mikado – Maharam	
54" wide	
79% cotton	
21% polyester	
V1901/459330-001	Umber
V1902/459330-002	Orange
V1903/459330-003	Ultramarine
V1904/459330-004	Pink
V1905/459330-005	Sepia

Soft Tweed – Maharam	
54" wide	
44% linen	
22% cotton	
20% acrylic	
8% bamboo viscose	
6% nylon	
ZSW01/466197-001	Sand
ZSW03/466197-003	Gold
ZSW05/466197-005	Steel
ZSW06/466197-006	Crimson
ZSW07/466197-007	Sepia

Tangram – Maharam	
54" wide	
68% polyester	
32% cotton	
ZTG01/466084-001	Tusk
ZTG03/466084-003	Lead
ZTG04/466084-004	Resin

Price category J continued on next page

- Maharam textiles are on assigned lead times [A](#).
- Fabric numbers are listed as Herman Miller fabric number/Maharam fabric number.

# Maharam Textile Colors – Collection Seating

continued

## Price Category J

continued

Telary – Maharam	
54" wide	
41% cotton	
33% post-consumer recycled polyester	
26% nylon	
ZTA01/466151-001	Bone
ZTA03/466151-003	Pebble
ZTA04/466151-004	Heron
ZTA05/466151-005	Voyage
ZTA06/466151-006	Spice
ZTA07/466151-007	Bison
ZTA08/466151-008	Molasses

Tokyo – Maharam	
59" wide	
67% wool	
24% polyester	
9% nylon	
ZT101/466247-112	112
ZT102/466247-132	132
ZT103/466247-182	182
ZT104/466247-242	242
ZT105/466247-252	252
ZT106/466247-352	352
ZT107/466247-432	432
ZT108/466247-632	632
ZT109/466247-652	652
ZT110/466247-682	682
ZT111/466247-692	692
ZT112/466247-732	732
ZT113/466247-782	782
ZT114/466247-952	952
ZT115/466247-982	982

Transport – Maharam	
56" wide	
48% rayon	
32% polyester	
20% linen	
ZTB01/466176-001	Breaker
ZTB02/466176-002	Grain
ZTB03/466176-003	Barley
ZTB04/466176-004	Mink
ZTB05/466176-005	Avenue

Waterborn - Maharam	
55" wide	
85% polyester	
15% polyurethane	
ZWB01/466097-123	123
ZWB02/466097-133	133
ZWB03/466097-153	153
ZWB04/466097-163	163
ZWB05/466097-183	183
ZWB06/466097-193	193
ZWB07/466097-203	203
ZWB08/466097-213	213
ZWB09/466097-223	223
ZWB10/466097-233	233
ZWB11/466097-243	243
ZWB12/466097-343	343
ZWB13/466097-353	353
ZWB14/466097-363	363
ZWB15/466097-373	373
ZWB16/466097-383	383
ZWB17/466097-443	443
ZWB18/466097-453	453
ZWB19/466097-463	463
ZWB20/466097-523	523
ZWB21/466097-543	543
ZWB22/466097-583	583
ZWB23/466097-603	603
ZWB24/466097-653	653
ZWB25/466097-663	663
ZWB26/466097-673	673
ZWB27/466097-693	693
ZWB28/466097-723	723
ZWB29/466097-743	743
ZWB30/466097-753	753
ZWB31/466097-773	773
ZWB32/466097-783	783
ZWB33/466097-793	793
ZWB34/466097-853	853
ZWB35/466097-883	883
ZWB36/466097-923	923
ZWB37/466097-933	933
ZWB38/466097-953	953
ZWB39/466097-973	973

Wool Rib – Maharam	
53" wide	
38% cotton	
29% acrylic	
19% wool	
7% alpaca	
7% nylon	
ZWR01/466198-001	Oat
ZWR03/466198-003	Turquoise
ZWR05/466198-005	Vermilion
ZWR06/466198-006	Magenta
ZWR07/466198-007	Garnet

## Price Category K

Carapace - Maharam	
54" wide	
37% cotton	
37% post-consumer recycled polyester	
26% solution-dyed nylon	
ZC601/466261-001	001
ZC602/466261-002	002
ZC603/466261-003	003
ZC604/466261-004	004
ZC605/466261-005	005
ZC606/466261-006	006
ZC607/466261-007	007

Checker – Maharam	
55" wide	
77% cotton	
23% polyester	
V1201/459830-001	Emerald Light/ Ivory
V1204/459830-004	Ultramarine/ Emerald
V1206/459830-007	Sienna Dark/ Khaki
V1207/459830-008	Black/White
V1209/459830-009	Ultramarine/ Turquoise
V1210/459830-010	Blue Gray/ Emerald
V1211/459830-011	Olive/Pink
V1212/459830-012	Magenta/ Orange
V1213/459830-013	Crimson/ Orange

Checker Split – Maharam	
55" wide	
77% cotton	
23% polyester	
V1301/460290-01	Black/ White

Price category K continued on next page

- Maharam textiles are on assigned lead times [A](#).
- Fabric numbers are listed as Herman Miller fabric number/Maharam fabric number.

# Maharam Textile Colors – Collection Seating

continued

## Price Category K

continued

Dingbats – Maharam	
54" wide	
74% cotton	
26% nylon	
ZDB01/465994-001	Taupe
ZDB02/465994-002	Olive
ZDB03/465994-003	Indigo
ZDB04/465994-004	Earth
ZDB05/465994-005	Onyx

Double Triangles – Maharam	
55" wide	
77% cotton	
23% polyester	
V1401/459840-001	Black/White

Facets – Maharam	
55" wide	
77% cotton	
23% polyester	
V1501/459850-001	Black/White

Optik – Maharam	
55" wide	
76% cotton	
24% polyester	
ZQP01/459960-001	Sun Yellow/ Orange
ZQP03/459960-003	White/Black

Orakelblume – Maharam	
55" wide	
59% cotton	
41% rayon	
ZQR02/463900-002	Bark
ZQR03/463900-003	Mineral
ZQR04/463900-004	Document
ZQR06/463900-006	Loden
ZQR07/463900-007	Danube

Painted Stripe – Maharam	
55" wide	
75% cotton	
25% polyester	
ZPS01/465998-001	Rosin
ZPS02/465998-002	Tempera
ZPS04/465998-004	Variance

Pavement – Maharam	
54" wide	
51% rayon	
49% cotton	
V2002/459740-002	Birch
V2003/459740-003	Grey
V2004/459740-004	Blue
V2005/459740-005	Rust
V2007/459740-007	Loden
V2008/459740-008	Copper
V2009/459740-009	Brown

Trees – Maharam	
53" wide	
55% cotton	
28% nylon	
17% wool	
ZTE01/466195-001	Thistle
ZTE02/466195-002	Begonia
ZTE03/466195-003	Carmine
ZTE04/466195-004	Rye
ZTE05/466195-005	Conifer
ZTE06/466195-006	Rice
ZTE07/466195-007	Ocher
ZTE08/466195-008	Shadow
ZTE09/466195-009	Brush

Unisol – Maharam	
55" wide	
61% rayon	
21% polyester	
18% cotton	
ZUN01/461160-001	Black/ White

## Price Category L

Alpaca Herringbone – Maharam	
56" wide	
35% polyester	
30% alpaca	
30% wool	
5% cotton	
ZAH01/465898-001	Ivory *
ZAH02/465898-002	Cinder
ZAH03/465898-003	Graphite
ZAH04/465898-004	Bark

\* Color not available on Eames Executive Chairs, Upholstered Molded Plywood Chairs, and Sofa Compact.

Blumen – Maharam	
55" wide	
53% cotton	
47% rayon	
ZBN02/462870-002	Mustard
ZBN03/462870-003	Robin
ZBN05/462870-005	Espresso

Exaggerated Plaid – Maharam	
59" wide	
100% wool	
ZEP01/466039-001	Glen
ZEP02/466039-002	Brae
ZEP03/466039-003	Firth

Geometri – Maharam	
55" wide	
77% cotton	
23% polyester	
ZGM01/459970-001	Sun Yellow/ Orange
ZGM02/459970-002	Red/ Carmine
ZGM03/459970-003	Lilac/Blue
ZGM04/459970-004	White/Black

Jacobs Coat – Maharam	
54" wide	
92% wool	
8% nylon	
V1601/462270-001	Multicolored Bright
V1602/462270-002	Multicolored Neutral

Letters – Maharam	
55" wide	
80% wool	
20% nylon	
ZLT01/462560-001	Sun
ZLT02/462560-002	Tangerine
ZLT03/462560-003	Scarlet
ZLT04/462560-004	Violet
ZLT05/462560-005	Cobalt
ZLT06/462560-006	Aqua
ZLT07/462560-007	Emerald
ZLT08/462560-008	Taupe

Millerstripe – Maharam	
54" wide	
92% wool	
8% rayon	
V1701/462250-001	Multicolored Bright
V1702/462250-002	Multicolored Neutral

Price category L continued on next page

- Maharam textiles are on assigned lead times [A](#).
- Fabric numbers are listed as Herman Miller fabric number/Maharam fabric number.

# Maharam Textile Colors – Collection Seating

continued

## Price Category L

continued

### Mohair Supreme - Maharam

54" wide
100% mohair
ZMS01/451801-023 Ruby
ZMS02/451801-072 Stonehenge
ZMS03/451801-094 Black
ZMS04/451801-095 Acorn
ZMS05/451801-097 Pebble
ZMS06/451801-112 Slate *
ZMS07/451801-113 Rich Chocolate *
ZMS08/451801-123 Moss
ZMS09/451801-126 Cayenne
ZMS10/451801-127 Cognac
ZMS11/451801-128 Tobacco
ZMS12/451801-129 Peat *
ZMS13/451801-130 Grass
ZMS14/451801-132 Cerulean
ZMS15/451801-133 Abyss
ZMS16/451801-134 Intrigue
ZMS17/451801-135 Pup
ZMS18/451801-136 Lupine *
ZMS19/451801-137 Selkie
ZMS20/451801-138 Mane
ZMS22/451801-140 Bosc
ZMS23/451801-141 Maple
ZMS24/451801-142 Canela
ZMS26/451801-144 Starlet
ZMS28/451801-146 League
ZMS29/451801-147 Armory *
ZMS30/451801-148 Steeple
ZMS31/451801-149 Arena

\* Colors available on Eames Lounge Chair and Ottoman.

### Monk's Wool – Maharam

54" wide
96% wool
4% nylon
ZMW01/457301-001 Tusk
ZMW03/457301-003 Slate
ZMW05/457301-005 Cherokee

### Palio – Maharam

55" wide
61% cotton
39% solution dyed
post-industrial recycled nylon
V1101/466107-001 Earth
V1102/466107-002 Sky
V1103/466107-003 Sun
V1104/466107-004 Multi

### Pebble Wool – Maharam

54" wide
90% wool
10% nylon
ZPW01/457401-001 Birch
ZPW10/457401-010 Cottage
ZPW13/457401-013 Eggshell
ZPW14/457401-014 Whisper
ZPW15/457401-015 Ceramic
ZPW16/457401-016 Seamist
ZPW17/457401-017 Armory
ZPW18/457401-018 Glaze
ZPW19/457401-019 Cordial

### Pebble Wool Multi – Maharam

54" wide
97% wool
3% nylon
ZPM01/461200-001 Fawn
ZPM02/461200-002 Slate
ZPM05/461200-005 Moss
ZPM06/461200-006 Tabasco

### Quatrefoil – Maharam

54" wide
75% cotton
25% nylon
V2101/459350-001 Silver
V2102/459350-002 Pink
V2103/459350-003 Crimson
V2104/459350-004 Emerald
V2105/459350-005 Violet

### Repeat Classic Stripe – Maharam

55" wide
47% cotton
27% rayon
26% polyester
ZRS01/462170-001 Inca
ZRS02/462170-002 Pistachio
ZRS03/462170-003 Poppy
ZRS04/462170-004 Cadet
ZRS05/462170-005 Peacock

### Repeat Dot Ring – Maharam

55" wide
75% cotton
25% polyester
ZRR01/462150-001 Gold
ZRR03/462150-003 Apple
ZRR04/462150-004 Pink
ZRR05/462150-005 Coral
ZRR07/462150-007 Gold
Reverse
ZRR09/462150-009 Apple
Reverse
ZRR10/462150-010 Pink
Reverse
ZRR11/462150-011 Coral
Reverse

### Stripes - Maharam

56" wide
92% wool
8% nylon
ZSP01/463980-001 001
ZSP02/463980-002 002
ZSP03/463980-003 003
ZSP04/463980-004 004
ZSP05/463980-005 005
ZSP06/463980-006 006
ZSP07/463980-007 007
ZSP08/463980-008 008
ZSP09/463980-009 009
ZSP10/463980-010 010

### The Story of My Life – Maharam

54" wide
83% rayon
17% polyester
ZTS02/464670-002 Hay
ZTS03/464670-003 Abyss
ZTS04/464670-004 Venetian

### Toostripe – Maharam

54" wide
92% wool
8% nylon
V2201/462260-001 Orange Dark/ Crimson Dark
V2202/462260-002 Black/ Raw Umber
V2203/462260-003 Ochre Dark/ Sienna

Appendix: Maharam Textile Colors – Collection Seating

- Maharam textiles are on assigned lead times <sup>A</sup>.
- Fabric numbers are listed as Herman Miller fabric number/Maharam fabric number.

# Maharam Textile Colors — Collection Seating

continued

Appendix: Maharam Textile Colors — Collection Seating

## Price Category M

Names – Maharam	
55" wide	
73% cotton	
27% polyester	
V1801/462510-001	Crimson On White
V1802/462510-002	Ultramarine On White
V1803/462510-003	Black On White
Ottoman Stripe – Maharam	
58" wide	
92% wool	
8% nylon	
ZQN01/466142-001	Brass
ZQN02/466142-002	Cocoa
ZQN03/466142-003	Dusk
ZQN04/466142-004	Pistachio
ZQN05/466142-005	Apricot
Pressed Plaid – Maharam	
54" wide	
100% wool	
T1101/466181-001	001
T1102/466181-002	002
T1103/466181-003	003
T1104/466181-004	004
T1105/466181-005	005
T1106/466181-006	006
Wool Striae – Maharam	
54" wide	
100% wool	
T1201/466184-001	001
T1202/466184-002	002
T1203/466184-003	003
T1204/466184-004	004
T1205/466184-005	005
T1206/466184-006	006
T1207/466184-007	007

## Price Category N

Alpaca Epinglé - Maharam	
55" wide	
100% alpaca	
ZAE02/465902-002	Slate
ZAE06/465902-006	Graphite
Alpaca Velvet - Maharam	
54" wide	
100% alpaca	
ZAV01/465901-001	Alpine
ZAV04/465901-004	Ash
ZAV05/465901-005	Mahogany
ZAV06/465901-006	Charcoal
ZAV07/465901-007	Pewter
Bespoke Stripe - Maharam	
56" wide	
100% wool	
ZBP01/463540-001	Navy
ZBP02/463540-002	Tobacco
ZBP03/463540-003	Chocolate
ZBP04/463540-004	Charcoal
ZBP05/463540-005	Black
ZBP06/463540-006	Pewter
Herringbone Stripe - Maharam	
57" wide	
100% wool	
ZKP01/465945-001	Granite
ZKP02/465945-002	Espresso
ZKP03/465945-003	Graphite
ZKP04/465945-004	Indigo
ZKP05/465945-005	Raven

Point – Maharam	
53" wide	
97% rayon	
3% nylon	
ZPT01/466090-001	Ivory and Ember
ZPT02/466090-002	Black and Coral
ZPT03/466090-003	Slate and Khaki
ZPT04/466090-004	Black and Cobalt
ZPT05/466090-005	Black and Khaki
ZPT06/466090-006	Slate and Mandarin
ZPT07/466090-007	Slate and Black
ZPT08/466090-008	Brick and Greige
ZPT09/466090-009	Gold and Black
ZPT10/466090-010	Greige and Peat
ZPT11/466090-011	Peat and Mandarin
ZPT12/466090-012	Crimson
ZPT13/466090-013	Mandarin
ZPT14/466090-014	Citrus
ZPT15/466090-015	Grass
ZPT16/466090-016	Cyan
ZPT17/466090-017	Cobalt
Wool Velvet - Maharam	
54" wide	
100% wool	
ZWV01/466120-001	Plush
ZWV02/466120-002	Subdue
ZWV03/466120-003	Flagstone
ZWV04/466120-004	Nori
ZWV06/466120-006	Bridle
ZWV07/466120-007	Covert
ZWV08/466120-008	Gateway

## Price Category O

Bavaria Stripe – Maharam	
55" wide	
77% polyester	
23% cotton	
ZBS02/466161-002	Unique

- Maharam textiles are on assigned lead times [A](#).
- Fabric numbers are listed as Herman Miller fabric number/Maharam fabric number.



# Maharam Textile Colors — Collection Seating

continued

## Price Category P

### Big Stripe – Maharam

55" wide
92% wool
8% nylon
ZBR01/466174-001 Peacock
ZBR02/466174-002 Spring
ZBR03/466174-003 Umber
ZBR04/466174-004 Poppy
ZBR05/466174-005 Cobalt

### Brushed Merino – Maharam

54" wide
90% merino wool
10% cashmere
ZBJ01/465983-001 Non
ZBJ02/465983-002 Feather
ZBJ03/465983-003 Doe
ZBJ04/465983-004 Wither
ZBJ05/465983-005 Nook
ZBJ06/465983-006 Senf
ZBJ07/465983-007 Cheshire
ZBJ08/465983-008 Cadmium
ZBJ09/465983-009 Hewn
ZBJ11/465983-011 Ardenne
ZBJ12/465983-012 Dandy
ZBJ13/465983-013 Sprig

### Epinglé Stripe - Maharam

50" wide
100% cotton
ZES01/466007-001 Caramel
ZES02/466007-002 Lead
ZES03/466007-003 Violet
ZES04/466007-004 Mahogany
ZES05/466007-005 Olive

### Layers Garden – Maharam

52" wide
96% wool
3% nylon
1% polyester
ZLY01/465916-001 Ivy/Bronze
ZLY02/465916-002 Putty/ Turquoise
ZLY03/465916-003 Pewter/ White
ZLY04/465916-004 Chocolate/ Lilac
ZLY05/465916-005 Peat/Copper

### Layers Park – Maharam

52" wide
95% wool
3% nylon
2% polyester
ZLP01/465918-001 Ash/Snow
ZLP02/465918-002 Mineral/Sky
ZLP03/465918-003 Poppy/ Melon
ZLP04/465918-004 Indigo/ White
ZLP05/465918-005 Earth/Cobalt

### Layers Vineyard Large – Maharam

52" wide
95% wool
3% nylon
2% polyester
ZLV01/465921-001 Ivory/Onyx
ZLV02/465921-002 Slate/Azure
ZLV03/465921-003 Loden/Sky
ZLV04/465921-004 Taupe/ Crimson
ZLV05/465921-005 Black/ Mahogany

### Layers Vineyard Small – Maharam

52" wide
92% wool
5% polyester
3% nylon
ZLS01/465920-001 Ochre/White
ZLS02/465920-002 Scarlet/ Peony
ZLS03/465920-003 Taupe/Violet
ZLS04/465920-004 Jade/ Turquoise
ZLS05/465920-005 Ginger/Rose

## Price Category Q

### A Band Apart – Maharam

56" wide
75% polyester
25% cotton
ZAB01/466000-001 Unique

### Aftermath – Maharam

55" wide
75% polyester
25% cotton
ZAM01/466169-001 Unique

### Agency – Maharam

55" wide
75% polyester
25% cotton
ZAG02/466001-002 002
ZAG04/466001-004 004
ZAG05/466001-005 005
ZAG06/466001-006 006
ZAG07/466001-007 007
ZAG08/466001-008 008

### Brushed Camel – Maharam

58" wide
100% baby camel hair
ZBA01/465977-001 Albino
ZBA02/465977-002 Natural

### Deconstructed Rose – Maharam

55" wide
65% polyester
32% cotton
3% rayon
ZDS01/466086-001 Golden
ZDS02/466086-002 Vivid
ZDS03/466086-003 Earthen

Price category Q continued on next page

- Maharam textiles are on assigned lead times A.
- Fabric numbers are listed as Herman Miller fabric number/Maharam fabric number.

# Maharam Textile Colors — Collection Seating

continued

## Price Category Q

continued

### Massive Paisley – Maharam

57" wide

76% polyester

24% cotton

ZMV01/465915-001 Ash

ZMV03/465915-003 Cardinal

ZMV06/465915-006 Night

### The Firm – Maharam

56" wide

75% polyester

25% cotton

ZTF03/465999-003 Unique

## Price Category R

### Borders – Maharam

53" wide

98% wool

2% polyester

ZBB01/466082-001 Natural

ZBB02/466082-002 Greige

ZBB03/466082-003 Charcoal

ZBB04/466082-004 Walnut

### Compartment – Maharam

50" wide

100% cotton

ZCA01/466154-001 001

ZCA02/466154-002 002

ZCA03/466154-003 003

## Price Category S

### Bavaria – Maharam

55" wide

73% polyester

27% cotton

ZBV01/466162-001 Unique

## Price Category T

### Hours – Maharam

56" wide

95% wool

3% nylon

2% rayon

ZKR01/466092-001 Day

ZKR02/466092-002 Night

- Maharam textiles are on assigned lead times [A](#).
- Fabric numbers are listed as Herman Miller fabric number/Maharam fabric number.

# Maharam Textile Colors — Collection Seating

continued

## Price Category U

Layers Garden Double – Maharam	
52" wide	
96% wool	
3% nylon	
1% polyester	
ZLD01/465917-001	Ash/ Quartz/ Grass
ZLD02/465917-002	Earth/ Chocolate/ Coral
ZLD03/465917-003	Black/ Navy/ Cobalt

Layers Park Double – Maharam	
52" wide	
96% wool	
3% nylon	
1% polyester	
ZLB01/465919-001	Mineral/ Taupe/ Lemon
ZLB02/465919-002	Sienna/ Ginger/ Rose
ZLB03/465919-003	Black/ Peat/ Copper

## Price Category V-W

No fabrics available at this time.

## Price Category X

Eden – Maharam	
56" wide	
83% polyester	
17% cotton	
ZED01/466258-001	001
ZED02/466258-002	002
ZED03/466258-003	003
ZED04/466258-004	004
ZED05/466258-005	005

Foliage – Maharam	
56" wide	
75% polyester	
25% cotton	
ZFG01/466257-001	001
ZFG02/466257-002	002
ZFG03/466257-003	003
ZFG04/466257-004	004
ZFG05/466257-005	005

## Price Category Y

Industry – Maharam	
55" wide	
80% polyester	
20% cotton	
ZND01/466255-001	001

Appendix: Maharam Textile Colors — Collection Seating

- Maharam textiles are on assigned lead times [A](#).
- Fabric numbers are listed as Herman Miller fabric number/Maharam fabric number.

# Maharam Textile Colors — Collection Seating

continued

---

## Price Category Z

No fabrics available at this time.

---

## Leather Price Category 10M

### Pace Leather — Maharam

approx. 50 sq. ft. per hide

100% leather

ZPA01/700011-001	Whisper
ZPA02/700011-002	Shy
ZPA03/700011-003	Granite
ZPA04/700011-004	Misty
ZPA05/700011-005	Studio
ZPA06/700011-006	Throne
ZPA07/700011-007	Proper
ZPA08/700011-008	Huron
ZPA09/700011-009	Darkroom
ZPA10/700011-010	Bark
ZPA11/700011-011	Raspberry
ZPA12/700011-012	Sangria
ZPA13/700011-013	Admiral
ZPA14/700011-014	Juniper
ZPA15/700011-015	Regal
ZPA16/700011-016	Vapor
ZPA17/700011-017	Valley
ZPA18/700011-018	Bushel
ZPA19/700011-019	Heirloom
ZPA20/700011-020	Palomino
ZPA21/700011-021	Bamboo
ZPA22/700011-022	Saffron
ZPA23/700011-023	Tearose
ZPA24/700011-024	Canyon
ZPA25/700011-025	Bistro
ZPA26/700011-026	Toffee
ZPA27/700011-027	Rodeo
ZPA28/700011-028	Mudslide
ZPA29/700011-029	Greige
ZPA30/700011-030	Reflection
ZPA31/700011-031	Pure
ZPA32/700011-032	Desert
ZPA33/700011-033	Griffin
ZPA34/700011-034	Urbane
ZPA35/700011-035	Woodrose

- Maharam textiles are on assigned lead times [A](#).
- Fabric numbers are listed as Herman Miller fabric number/Maharam fabric number.



For more information about our products and services or to see a list of dealers, please visit us at [HermanMiller.com](http://HermanMiller.com) or call (800) 851 1196.

© 2018 Herman Miller, Inc., Zeeland, Michigan

#### Distribution Rights

Working together since 1956, Herman Miller and Vitra are the authentic sources of designs by Charles and Ray Eames, Alexander Girard, and George Nelson. All the designs shown in this book are protected by law. Herman Miller has obtained all rights to make and sell these designs. Also, Herman Miller holds exclusive worldwide manufacturing and distribution rights for these products with the following exceptions:

Charles and Ray Eames, George Nelson, and Alexander Girard—Worldwide distribution rights for furniture in all areas except Europe and the Middle East. For those areas, please contact Vitra.

Isamu Noguchi—Worldwide distribution rights for the Noguchi Rudder Table. Distribution rights for the Noguchi Table in North America and Central America only. For all other areas, please contact Vitra.

Magis—Exclusive distribution rights in the US and Canada. For all other areas, please contact Magis.

Mattiazzi—Exclusive distribution rights in the US and Canada. For all other areas, please contact Mattiazzi.

® **HermanMiller**, ●, 3D Intelligent, AO, Action Office, Aeron, ArcSpan, Aside, Avall, Avive, Bubble Lamps, Canvas Office Landscape, Capex, Celle, Co/Struc, Daisystone, Distil, Eames, Eco-Dematerialized, Embody, Envelop, Equa 2, Ergon 3, Ethospace, Exclave, Fine-Tune, FlexFront, Flo, Formcoat, Formwork, Ground Cloth, Herman Miller for the Home, Herman Miller for Healthcare, Intersect, Kinemat, Lapjack, Layout Studio, Lifework, Limerick, Live Unframed, Living Office, Locale, Maharam, Meridian, Mirra, Passage, Pellicle, Perspectives, PostureFit, Public Office Landscape, Resolve, Rodney, Sayl, Setu, Thrive, Tu, Wishbone, and Y-Tower are among the registered trademarks of Herman Miller, Inc., and its owned subsidiaries.

™ 8Z Pellicle, About Face, AireWeave, Albert, Backfit, Bubbletack, Burdick Group, Butterfly Back, Celeste, Cellular Suspension, Clam, Compass, Connect, Cosm, Cubert, DOT, Duracare, Durawrap, Eames Soft Pad, EnhancedAccess, Everywhere, Flex-Edge, Flute, Harmonic, Herman Miller Select, Hopsak 2, Intent, Iota, Jaw, Keyless Entry, Keyn Chair Group by Herman Miller, Latitude, Lino, Locale, Logic Mini, Logic Power Access Solutions, Live OS, Loop, Lyris, Lyris 2, Made-to-Measure Storage, Metaform Portfolio, Mora, Motia, Multiscrim, Nelson, Nevi, Overlay, Pari, Pixelated Support, Plex, PostureFit SL, Prospect, Q, Renew, Sense, Soft Pad, Stackable, Stackable Storage, Striad, Swoop, Tone, TriFlex, Twist, Ubi, Verus, Vista and Wireframe are among the trademarks of Herman Miller, Inc., and its owned subsidiaries.

SM Herman Miller Options is among the service marks of Herman Miller, Inc.

Alexander Girard® is a registered trademark of The Alexander Girard Estate.

Chemsurf® is a registered trademark of Wilsonart International.

Corian® is a registered trademark of E. I. du Pont de Nemours and Company Corporation.

Crypton® is a registered trademark of Crypton, Inc.

DACRON® is a registered trademark of INVISTA S.a r.l.

Decora® is a registered trademark of Leviton Manufacturing Co., Inc.

Edelman® Leather is a registered trademark of Edelman Leather, Inc.

FENIX NTM® is a registered trademark of Arpa Industriale S.p.A.

FLEXNET™ is a trademark of Milliken & Company.

Floor Saver Glide® is a registered trademark of Carpin Manufacturing, Inc.

Geiger® is a registered trademark, and Bumper™, Saiba™, and Ward Bennett™ are trademarks, of Geiger International.

Goetz™ is a trademark of Mark W. Goetz.

Hang-It-All® is a registered trademark of Lucia Eames Demetrios, d.b.a. Eames Office.

Holophane® is a registered trademark of Holophane.

Ingeo™ is a trademark of Cargill Dow LLC.

iPad® is a registered trademark of Apple, Inc.

LifeSize® is a registered trademark of LifeSize Communications, Inc.

Magis®, Bombo®, and Me Too® are registered trademarks of Magis S.p.A.

Microsoft® and Natural® Keyboard are registered trademarks of Microsoft Corporation.

Noguchi® and the Noguchi table configuration (trade dress) are registered trademarks, and Rudder Table™ is a trademark, of The Isamu Noguchi Foundation and Garden Museum.

Place Textiles® is a registered trademark of Place Textiles.

SuperSeat™ is a trademark of Dahti Seating, a division of ITW.